



## **Hydraulic Conversion Kits**

If you need to convert old hydraulics to  
The new setup make sure to order the  
right kit as they are different.

In the top Left corner of each page  
Confirm it's a 2 bank or 3 bank valve  
Confirm whether its Electric or Live

Page 1 – 2 Bank – Electric

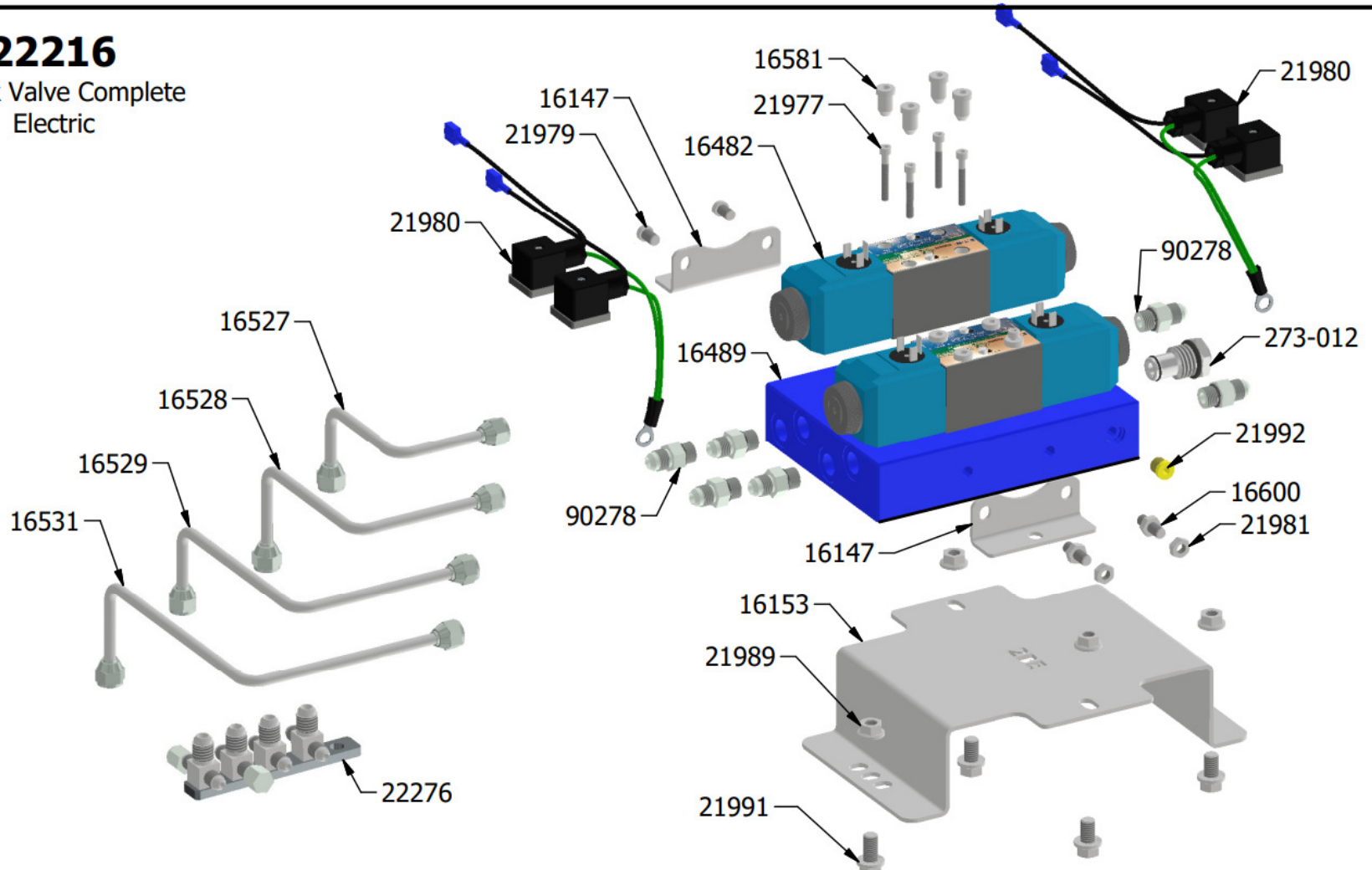
Page 2 – 2 Bank – Live

Page 3 – 3 Bank – Electric

Page 4 – 3 Bank – Live

# 22216

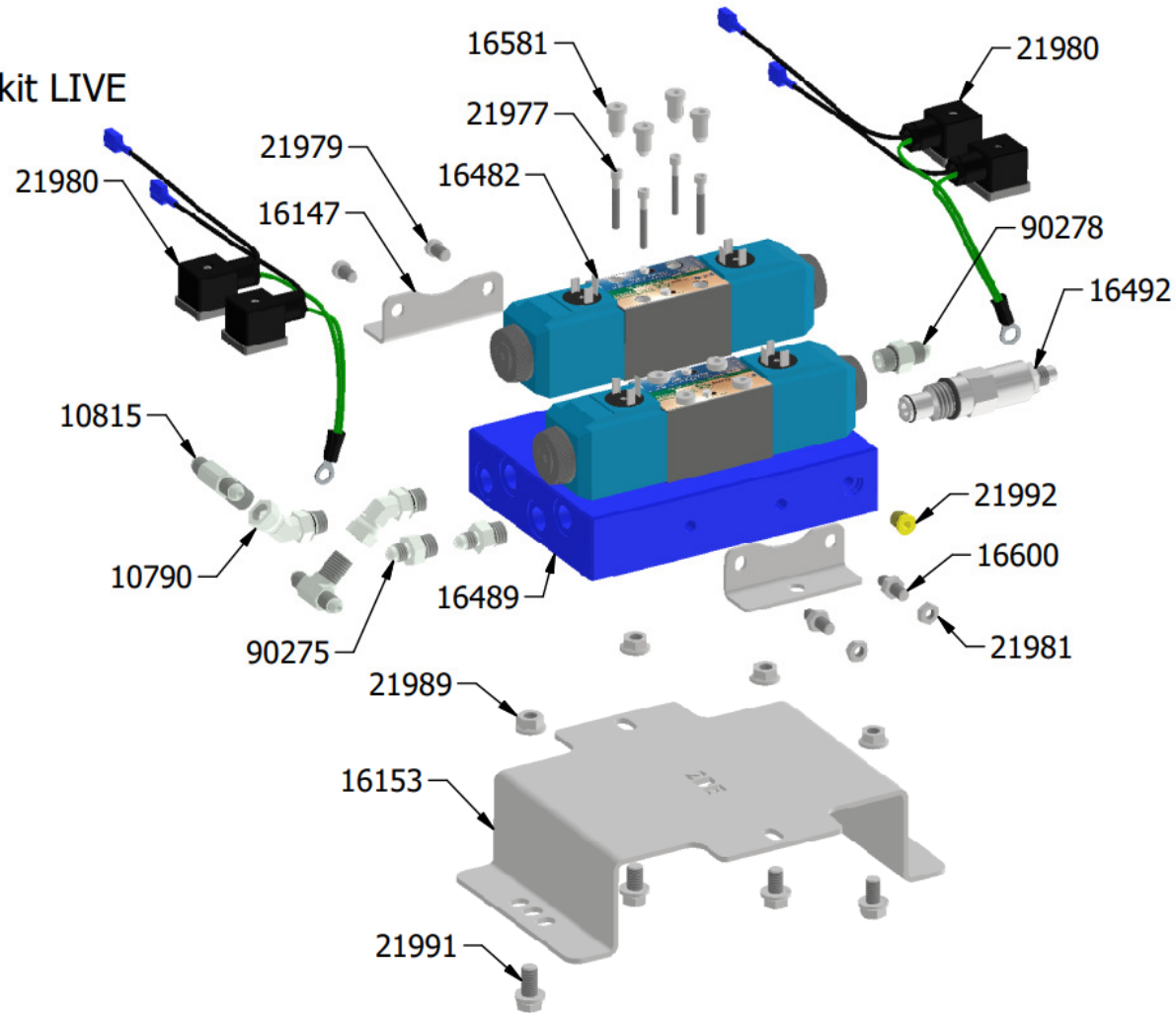
2 Bank Valve Complete  
Electric



PARTS LIST			PARTS LIST			PARTS LIST		
QTY	PART#	DESCRIPTION	QTY	PART#	DESCRIPTION	QTY	PART#	DESCRIPTION
1	16489	2 Bank Manifold	1	273-012	Cavity plug	1	21991	3/8" x 3/4" Flange Bolt
2	16482	Vickers Valve 10V Coil	2	21981	.312 SS Jam Nut	2	21992	-4 Sae Plug
2	16147	2 Bank Valve Mount	2	21979	.312 x .5 SS Screw	1	22276	Hydra Block Vickers
2	16600	.312 manifold bolt	1	16153	Manifold Stand	1	16527	Steel line LH Outer
8	16581	Rubber plug	6	90278	6 MBO to 6 JIC	1	16528	Steel Line LH inner
8	21977	10-24 SS socket head screw	4	21989	3/8" Flange Nut	1	16529	Steel line RH inner
2	21980	Din Wiring Vickers	3	21990	3/8" x 5/8" Flange Bolt	1	16531	Steel Line RH outer

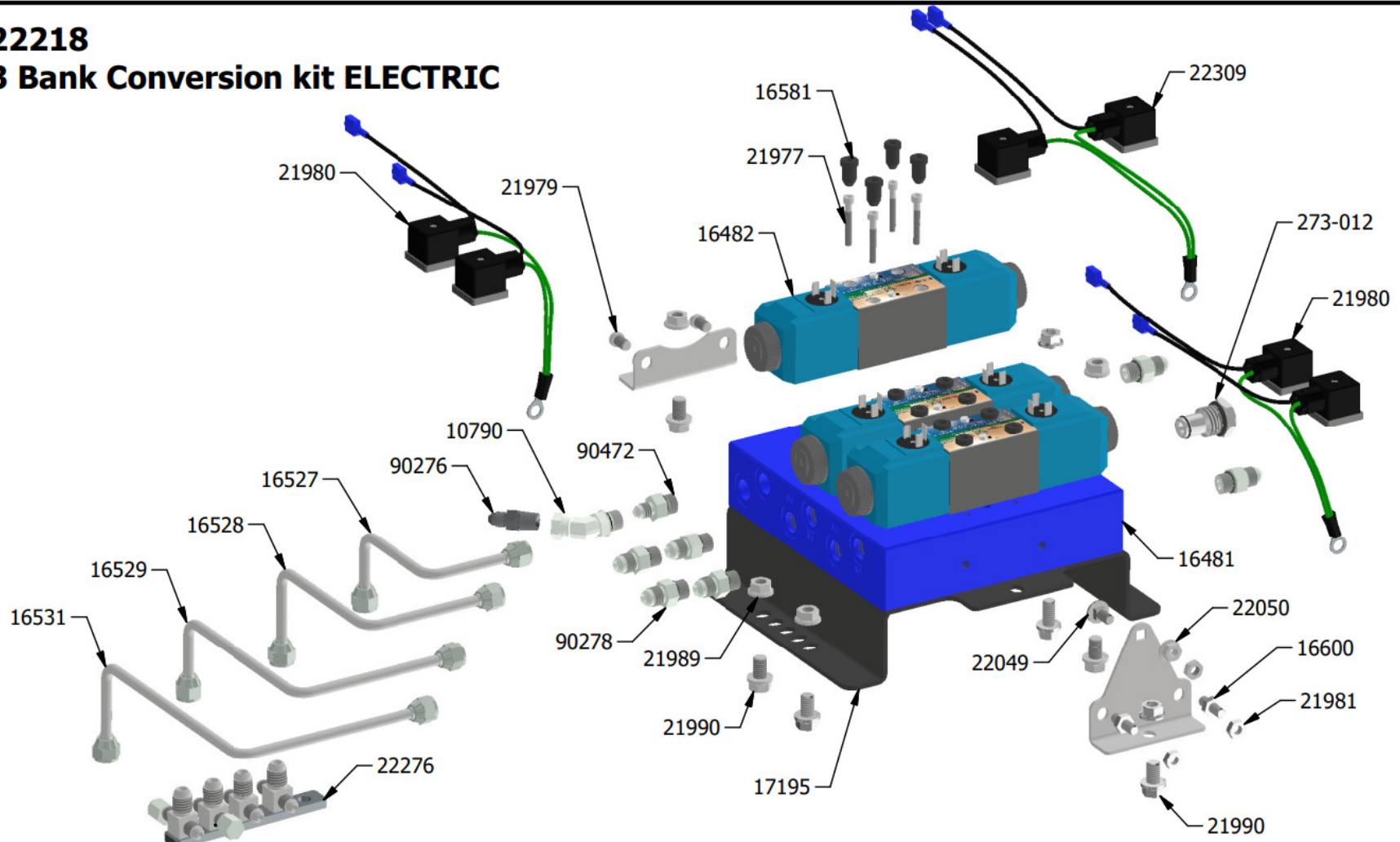
# 22217

## 2 Bank conversion kit LIVE



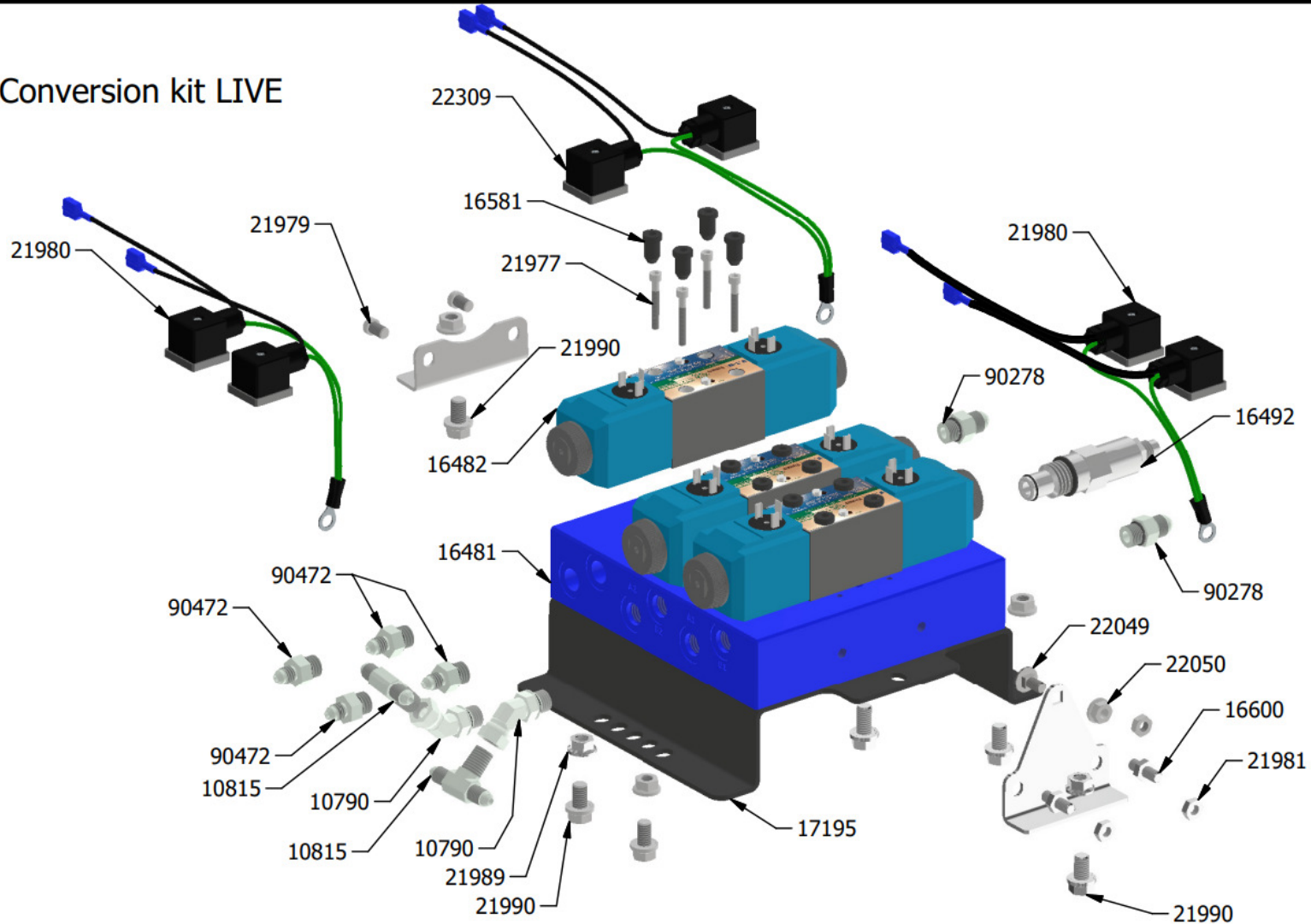
PARTS LIST			PARTS LIST			PARTS LIST		
QTY	PART#	DESCRIPTION	QTY	PART#	DESCRIPTION	QTY	PART #	DESCRIPTION
1	16489	2 Bank Manifold	1	16492	Relief valve	2	21992	-4 Sae Plug
2	16482	Vickers Valve 10V Coil	2	21981	.312 SS Jam Nut	1	90278	6 MBO to 6 JIC
2	16147	2 Bank Valve Mount	2	21979	.312 x .5 SS Screw	2	10790	6MB Oring 45 elbow
2	16600	.312 manifold bolt	1	16153	Manifold Stand	2	10815	4 MP to 4 JIC to 4 JIC
8	16581	Rubber plug	4	21989	3/8" Flange Nut	2	90275	6 MBO to 4 JIC
8	21977	10-24 SS socket head screw	3	21990	3/8" x 5/8" Flange Bolt			
2	21980	Din Wiring Vickers	1	21991	3/8" x 3/4" Flange Bolt			

# 22218 3 Bank Conversion kit ELECTRIC



PARTS LIST			PARTS LIST			PARTS LIST		
QTY	PART#	DESCRIPTION	QTY	PART#	DESCRIPTION	QTY	PART#	DESCRIPTION
3	16482	Vickers Valve 10V Coil	5	21990	3/8" x 5/8" Flange Bolt	2	21980	Din wiring Vickers
2	16600	.312 manifold bolt	1	21991	3/8" x 3/4" Flange Bolt	1	22276	Hydra Block Vickers
12	16581	Rubber plug	1	16481	3 Bank Manifold	1	16527	Steel line LH Outer
12	21977	10-24 SS socket head screw	1	17195	3 bank stand	1	16528	Steel Line LH inner
1	273-012	Cavity plug	1	16143	elec valve mount bracket	1	16529	Steel line RH inner
3	21981	.312 SS Jam Nut	1	16147	2 Bank Valve Mount	1	16531	Steel Line RH outer
2	21979	.312 x .5 SS Screw	1	22049	.312 x .625 carriage bolt	1	10790	6MB Oring 45 elbow
6	90278	6 MBO to 6 JIC	1	22050	.312 flange nut	1	90276	Adapter 1/4" MP to 4 JIC
6	21989	3/8" Flange Nut	1	22309	Din wiring vickers 3 bank	1	90472	6MB Oring to 4 JIC

22219  
3 Bank Conversion kit LIVE



PARTS LIST			PARTS LIST			PARTS LIST		
QTY	PART#	DESCRIPTION	QTY	PART#	DESCRIPTION	QTY	PART#	DESCRIPTION
3	16482	Vickers Valve 10V Coil	5	21989	3/8" Flange Nut	1	22049	.312 x .625 carriage bolt
2	16600	.312 manifold bolt	5	21990	3/8" x 5/8" Flange Bolt	1	22050	.312 flange nut
12	16581	Rubber plug	1	21991	3/8" x 3/4" Flange Bolt	2	21980	Din Wiring Vickers
12	21977	10-24 SS socket head screw	1	16481	3 Bank Manifold	1	16492	Relief valve
3	21981	.312 SS Jam Nut	1	17195	3 bank stand	2	10790	6MB Oring 45 elbow
2	21979	.312 x .5 SS Screw	1	16143	elec valve mount bracket	4	90472	6MB Oring to 4 JIC
2	90278	6 MBO to 6 JIC	1	16147	2 Bank Valve Mount	1	22309	Din wiring vickers 3 bank
2	10815	4 MP to 4 JIC to 4 JIC	2	10815	4 MP to 4 JIC to 4 JIC	2	10815	4 MP to 4 JIC to 4 JIC