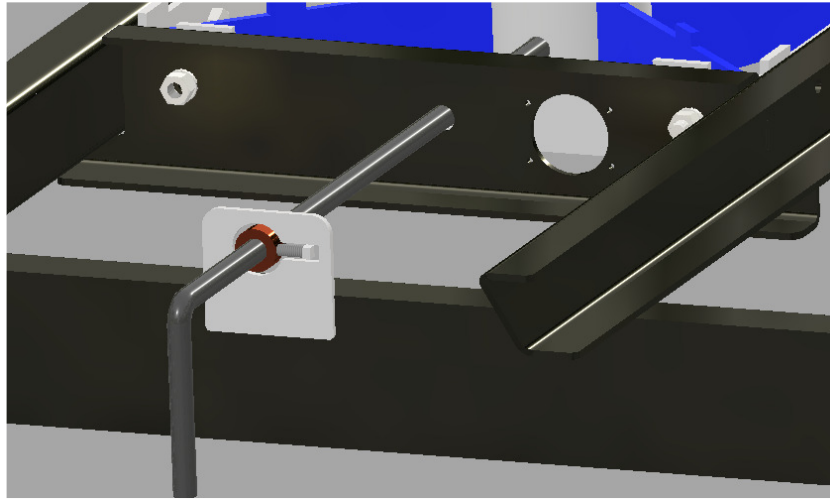
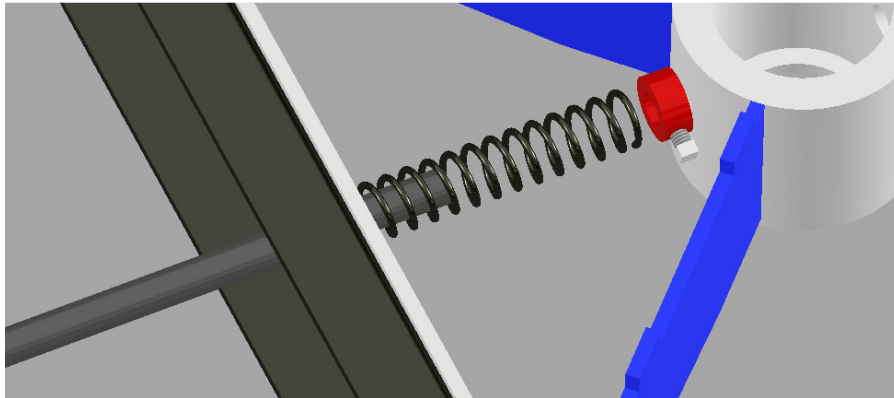


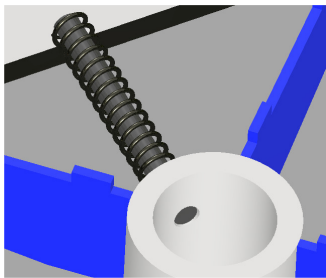
B & W Latch bar installation



Slide the locking collar with the long set screw and the mounting plate up close to the handle and slide pull pin above the frame rail and through the guide hole and into the receiver. Line up the mount plate to be centered around the lock collar and clamp the plate in place. Weld the plate in place and remove clamp.



Pull the pin back far enough to slide on the springs and the lock collar with the short set screw, and Push the pin back into receiver.



Pull the pin just far enough to let it Release the 5th wheel ball and slide The lock collar with long screw up to The mount plate and tighten it down With the set screw down in line with the handle. Slide the pin back into The receiver make sure it goes

Through far enough to catch the hole on other side and set The second lock collar once set pull handle and make sure it Can latch and unlatch adjust the second lock collar accordingly.

