



82102 - 56 Cab to Axle

Skirted Bed

Options & Price Guide



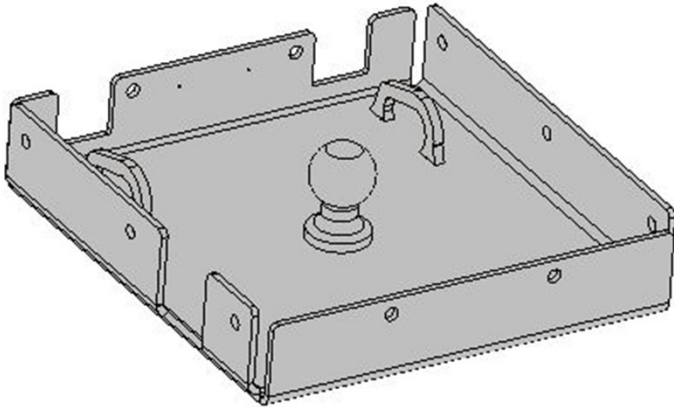


Fifth Wheel Options

Standard Recessed Ball

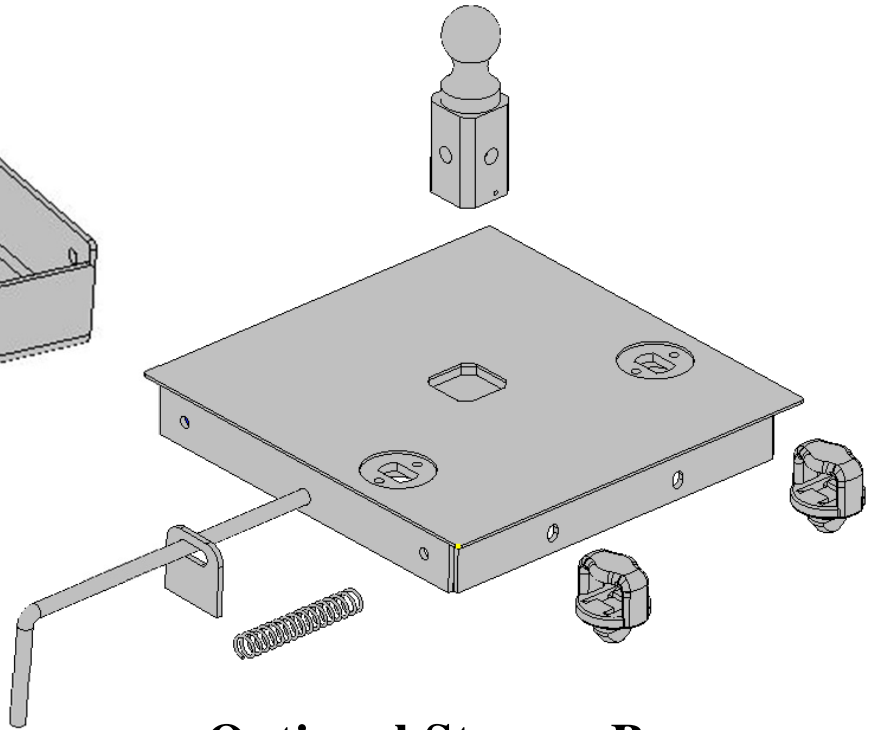
30,000 lbs 5th wheel ball included

\$200.00 Retail Price



Optional Flush Mount Flip Over Ball

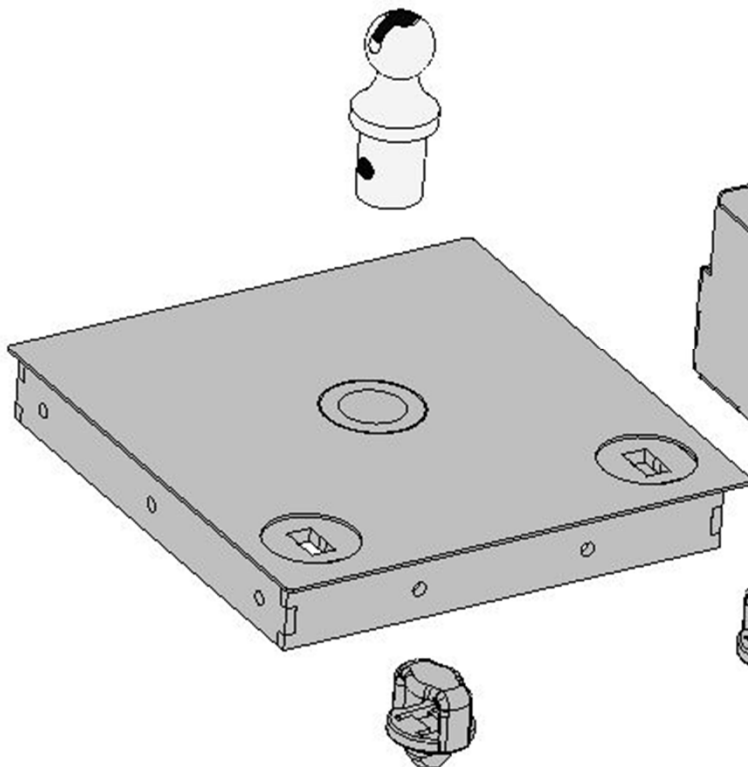
Upgrade from standard
5th wheel - \$450.00



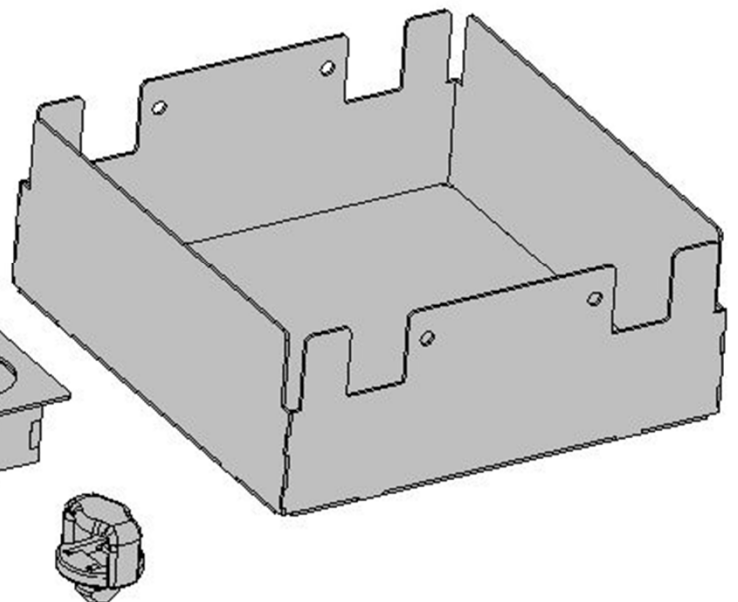
Optional Flush Mount For Drop In Ball

Upgrade from standard
5th wheel - \$400.00

Ball and Puck \$300.00 Net



Optional Storage Box \$190.00 Retail Price

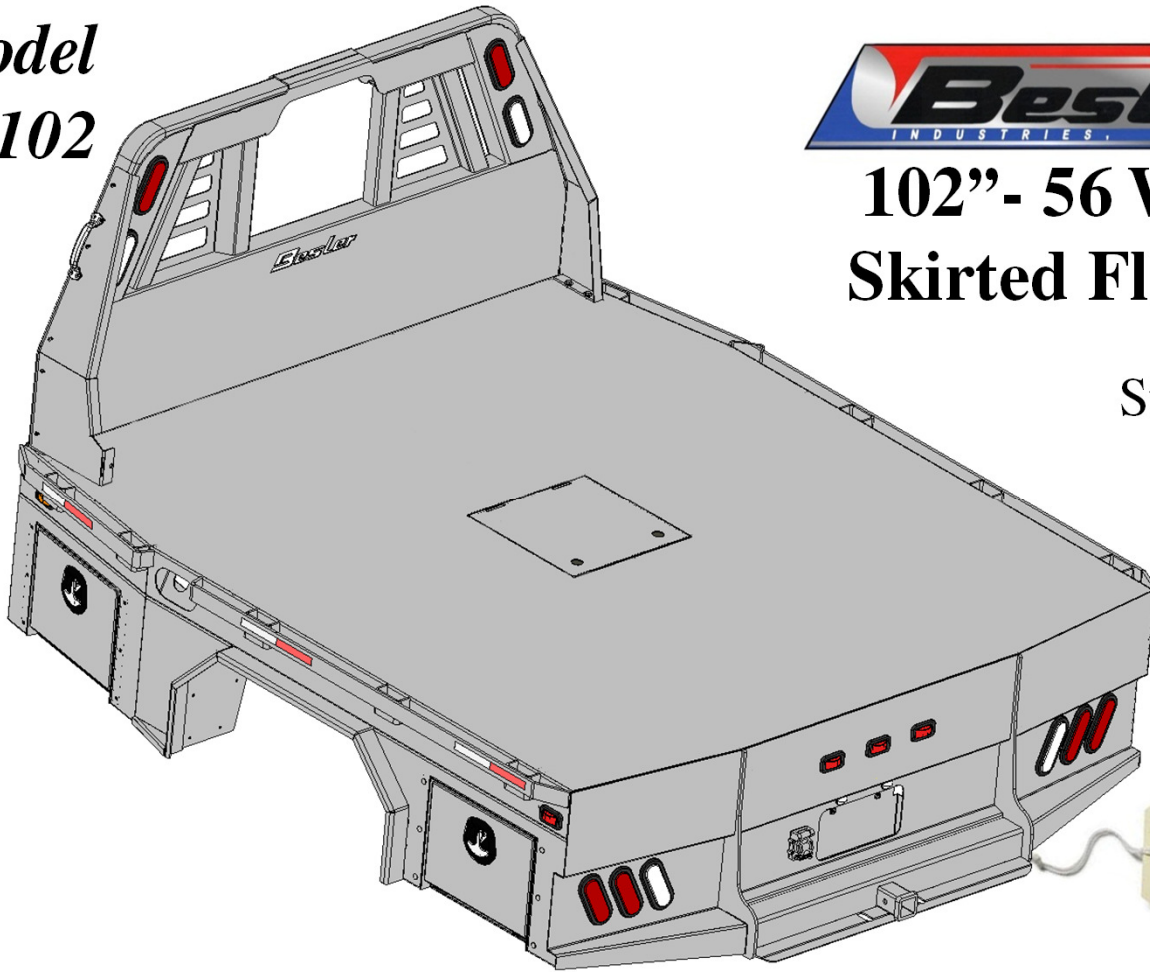


Model
82102



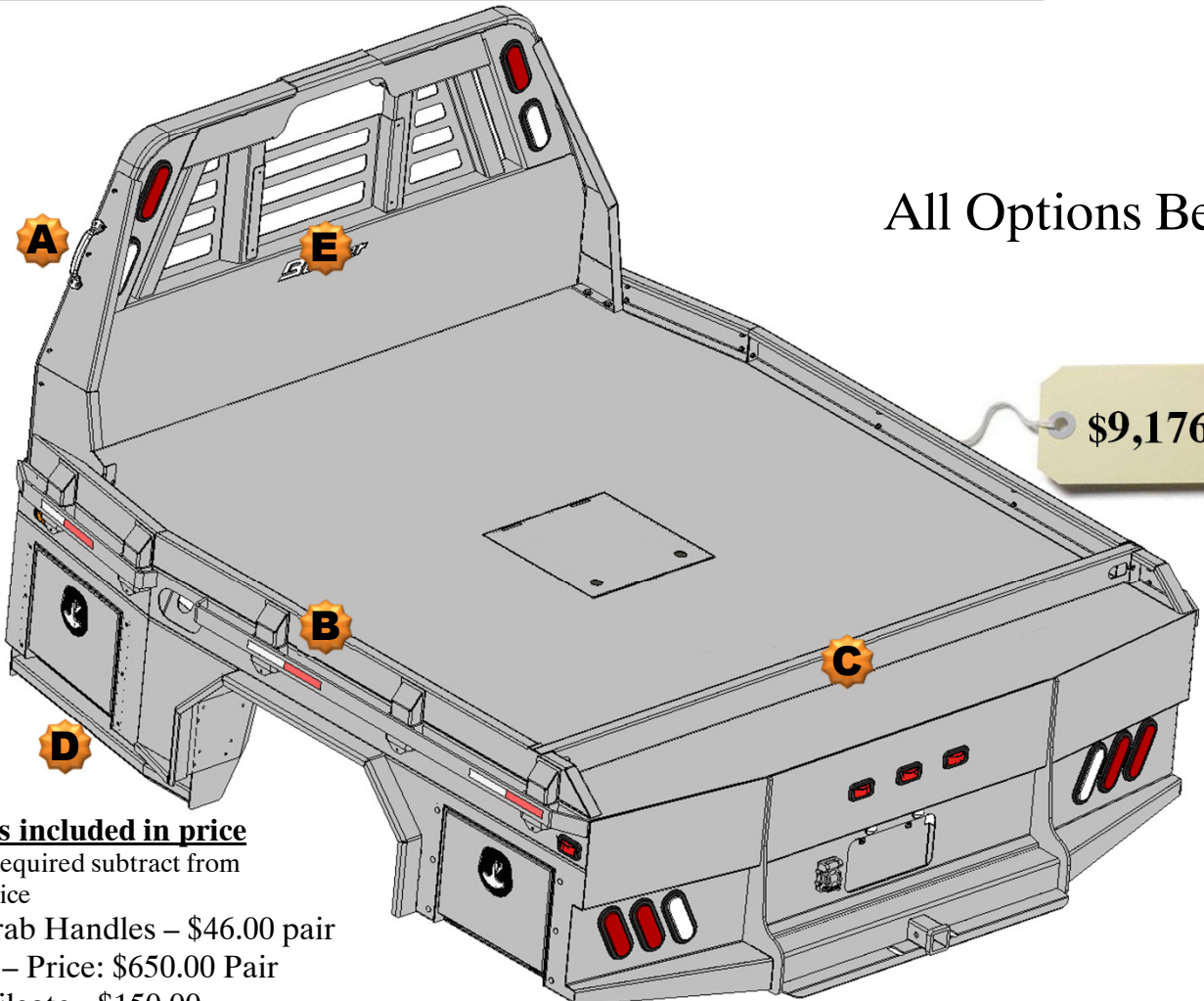
102"- 56 Wide Skirted Flatbed

Standard Bed



\$8,030

All Options Bed



\$9,176

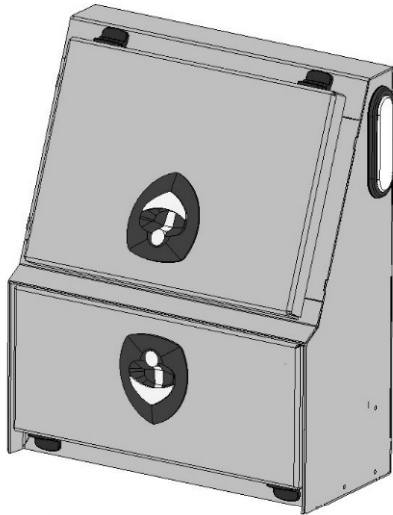
Optional Parts included in price

Any options not required subtract from Complete Bed Price

- A. Chrome Grab Handles – \$46.00 pair
- B. Sideboards – Price: \$650.00 Pair
- C. Formed Tailgate - \$150.00
- D. Front Steps - \$200.00 Pair
- E. Center Window Guard - \$100.00

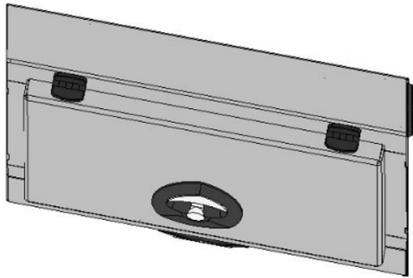


102" Wide Flatbed Price and configurations With 15" Deep Tool boxes

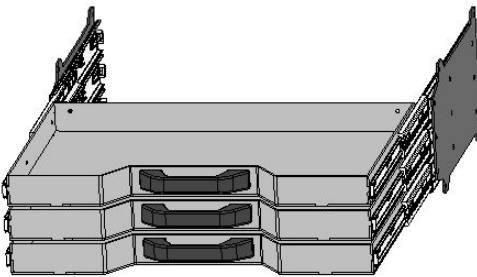


Front Mount Tool box

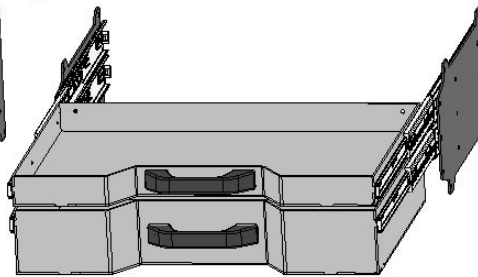
- 27" x 15" Deep
- Drawers Available 1, 2 or 3 drawers
- Drawer kits can be added later
- Can be ordered with or without Backup light.
- Gas Shocks on Top door
- Screwdriver holders on shelf
- Wrench rack on the top back panel



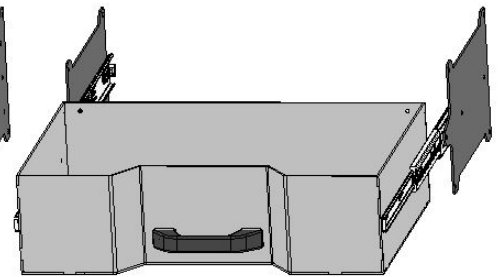
Front Mount Tool box is angled so that it fits flush against the headache Rack and matches the taper of the Wide bed and the top taper tool boxes
Can bolt up flush with no gaps.



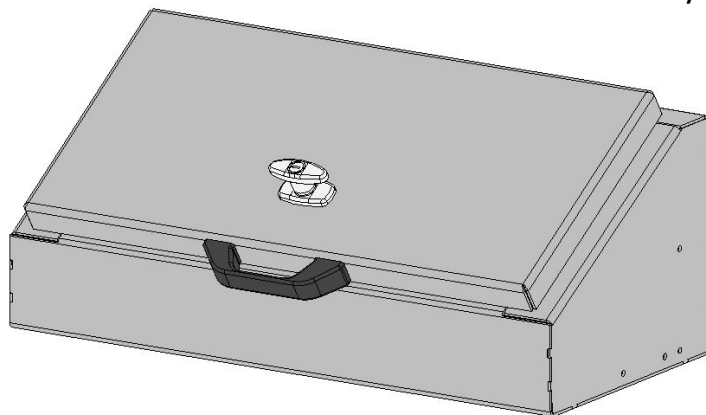
3 drawers 1-3/4" deep



1 drawer 1-3/4" deep
1 drawer 3-7/8" deep



1 drawer 6" deep



Top Taper Tool boxes Available lengths

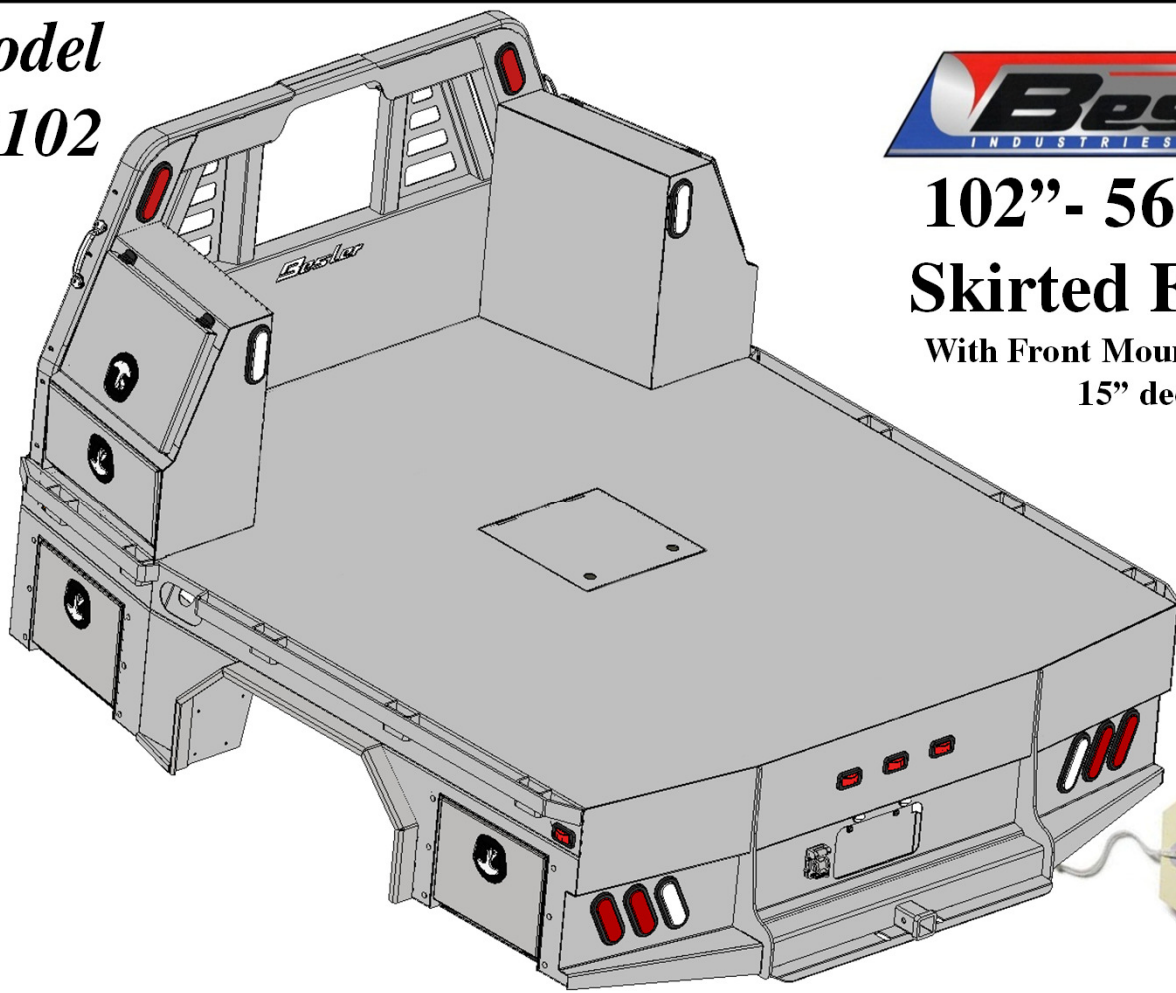
- 26"
- 34"
- 39"
- 46"
- 52"
- 68"
- 78"

Model
82102



102"- 56 Wide Skirted Flatbed

With Front Mount Toolboxes
15" deep



Base Price

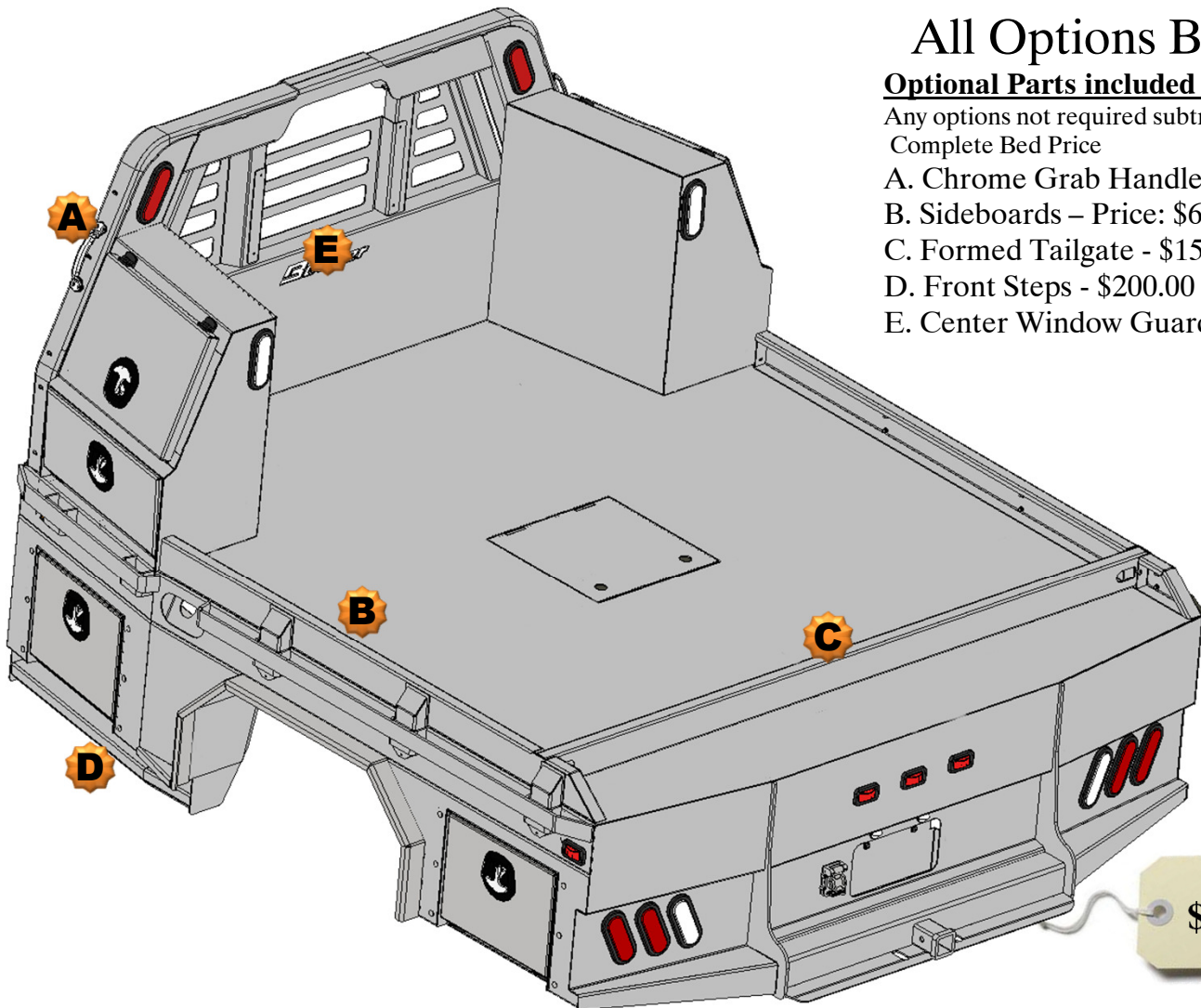
\$10,500

All Options Bed

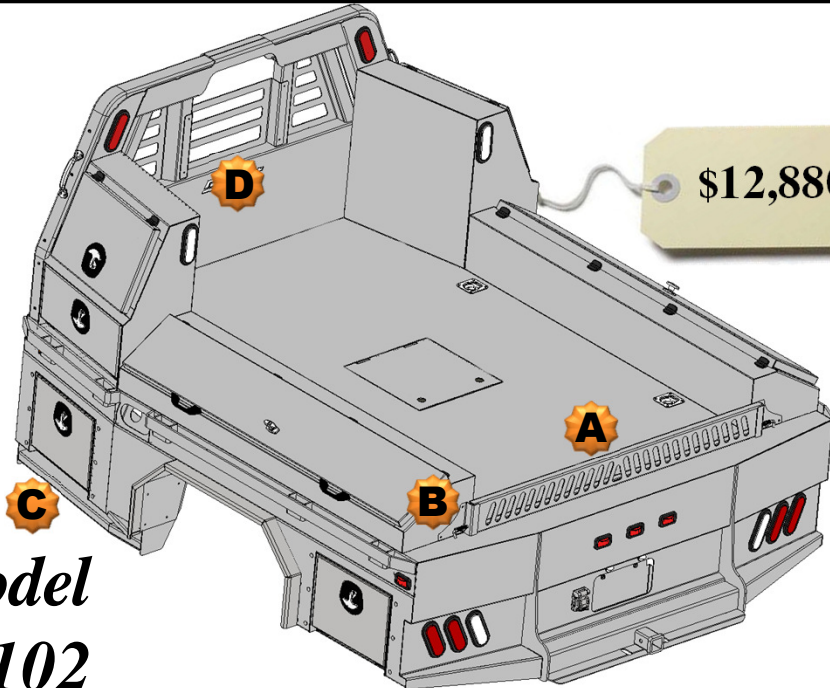
Optional Parts included in price

Any options not required subtract from Complete Bed Price

- A. Chrome Grab Handles – \$46.00 pair
- B. Sideboards – Price: \$650.00 – Pair
- C. Formed Tailgate - \$150.00
- D. Front Steps - \$200.00 pair
- E. Center Window Guard - \$100.00



\$11,646



\$12,880

All Options Bed
 102 – 56 Wide Skirted
 Flatbed w/Toolboxes
15” Deep

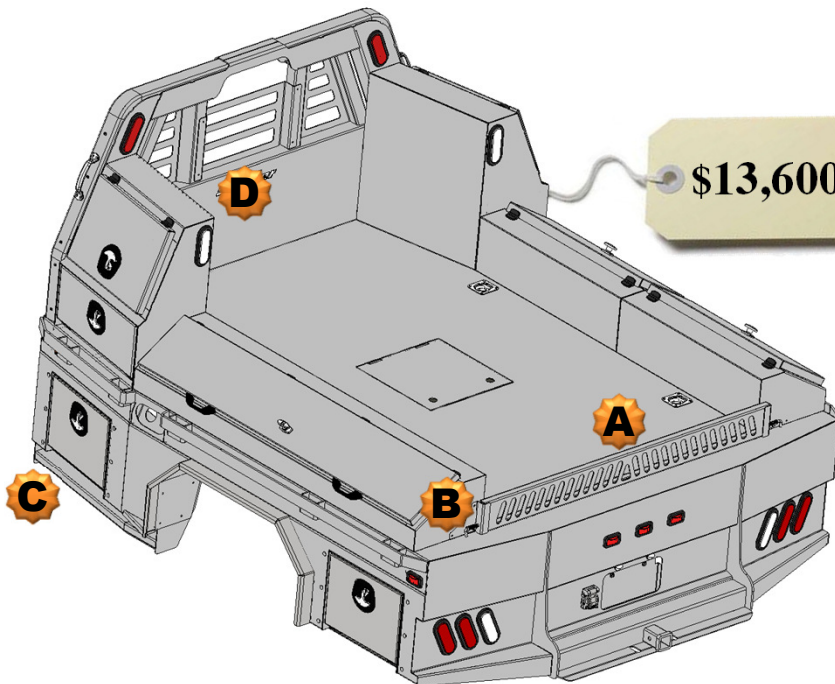
2 – 24” Front Mount Toolboxes
2 – 68” Taper Toolboxes

Optional Parts included in price

Any options not required subtract from Complete Bed Price.

- A. Formed Tailgate - \$150.00
- B. Tailgate Brackets - \$30.00 pair
- C. Front Steps - \$200.00 pair
- D. Center Window Guard - \$100.00

Model
82102



\$13,600

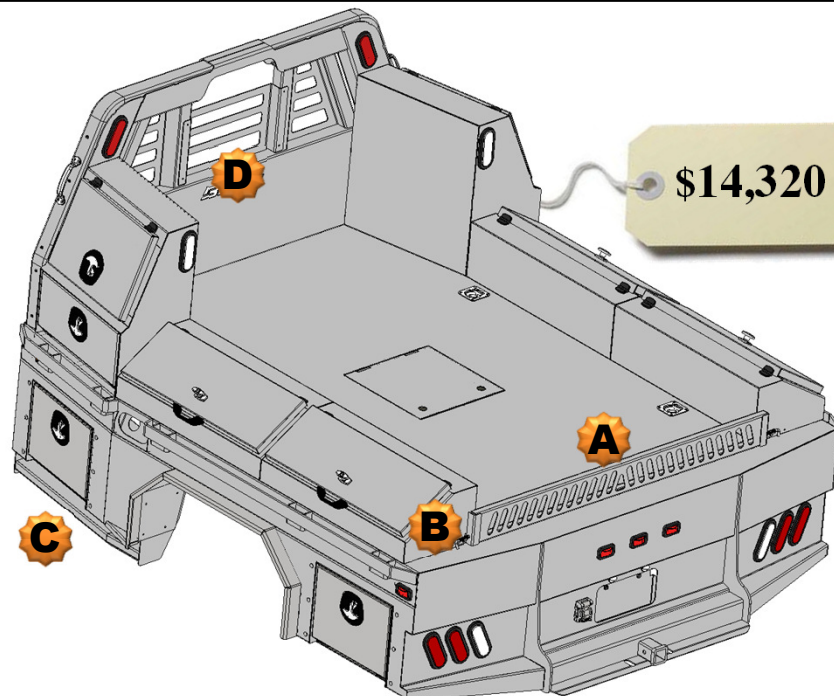
All Options Bed
 102 – 56 Wide Skirted
 Flatbed w/Toolboxes
15” Deep

2 – 24” Front Mount Toolboxes
1 – 68” Taper Toolbox
2 – 34” Taper Toolbox

Optional Parts included in price

Any options not required subtract from Complete Bed Price.

- A. Formed Tailgate - \$150.00
- B. Tailgate Brackets - \$30.00 pair
- C. Front Steps - \$200.00 pair
- D. Center Window Guard - \$100.00



\$14,320

All Options Bed
 102 – 56 Wide Skirted
 Flatbed w/Toolboxes
15” Deep

2 – 24” Front Mount Toolboxes
4 – 34” Taper Toolboxes

Optional Parts included in price

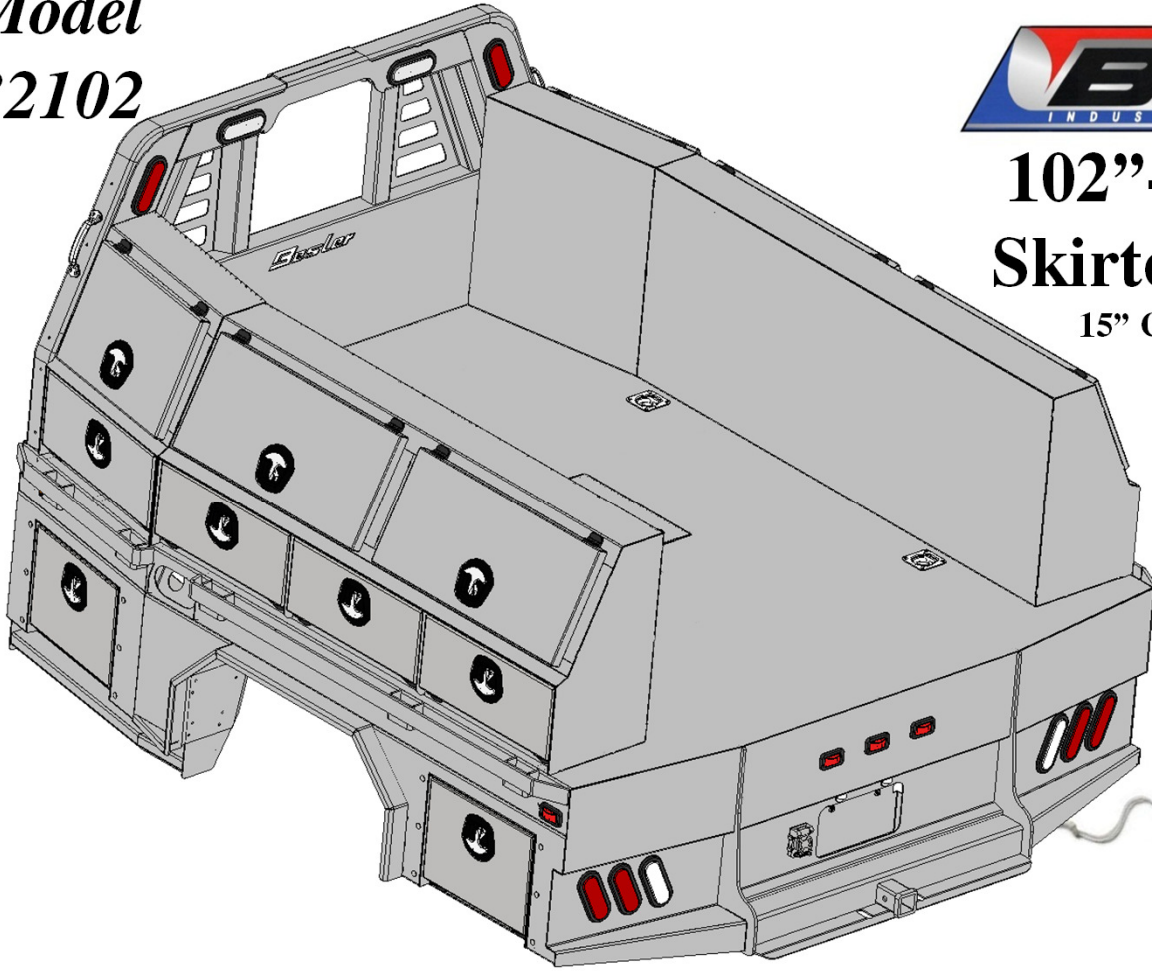
Any options not required subtract from Complete Bed Price.

- A. Formed Tailgate - \$150.00
- B. Tailgate Brackets - \$30.00 pair
- C. Front Steps - \$200.00 pair
- D. Center Window Guard - \$100.00

Model
82102



102"- 56 Wide
Skirted Flatbed
15" Contractor Box



Base Price

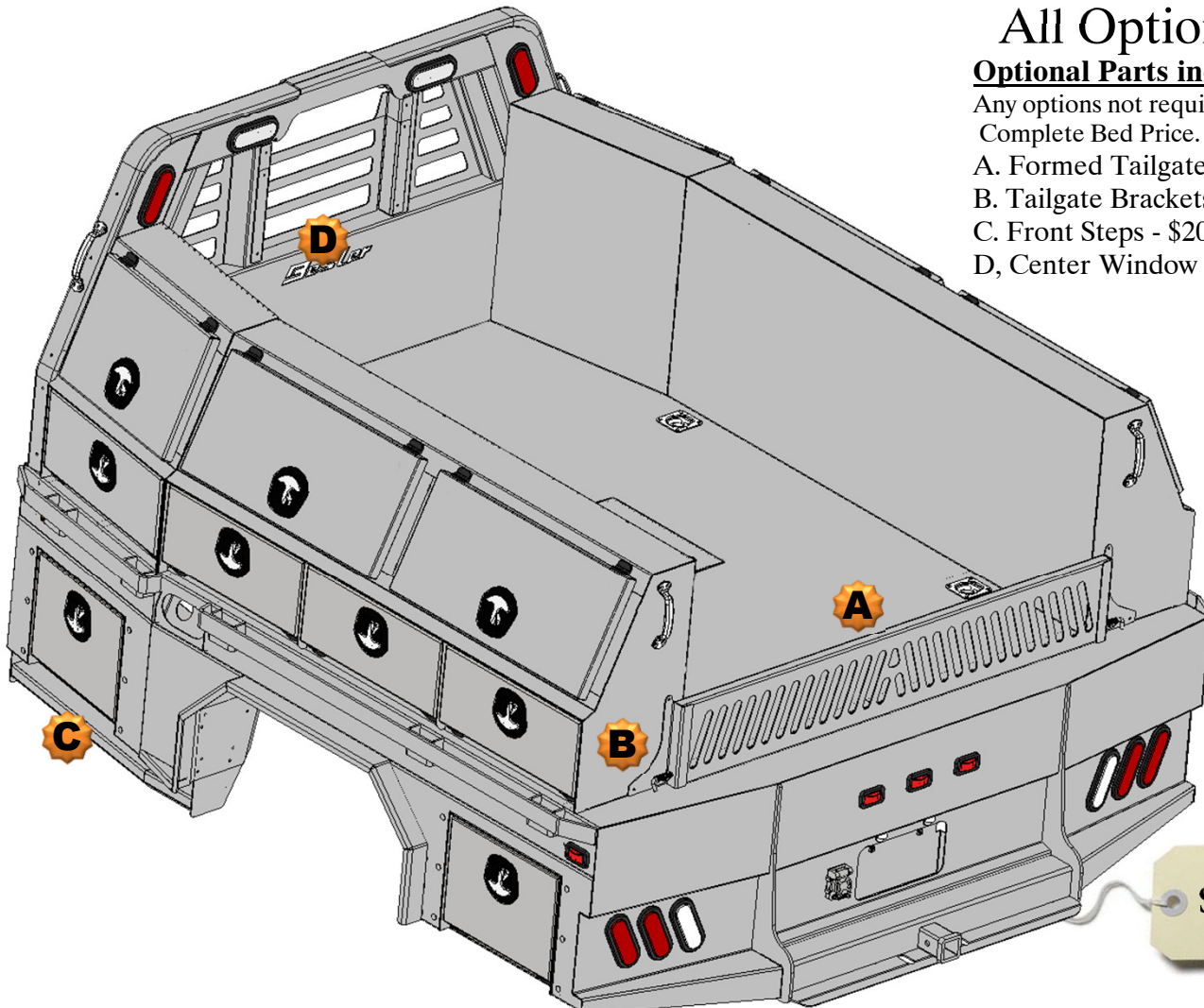
\$16,480

All Options Bed

Optional Parts included in price

Any options not required subtract from Complete Bed Price.

- A. Formed Tailgate - \$150.00
- B. Tailgate Brackets - \$30.00 pair
- C. Front Steps - \$200.00 pair
- D, Center Window Guard - \$100.00



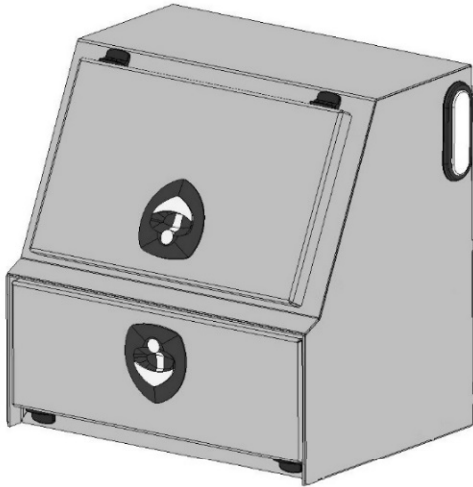
\$16,960



102" Wide Flatbed

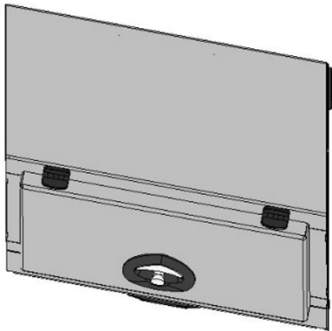
Price and configurations

With 20" Deep Tool boxes

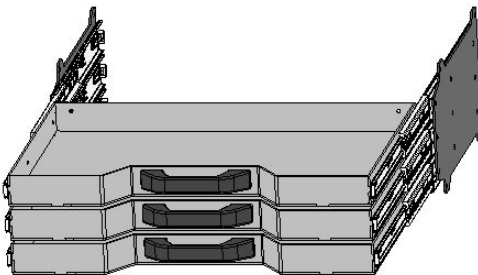


Front Mount Tool box

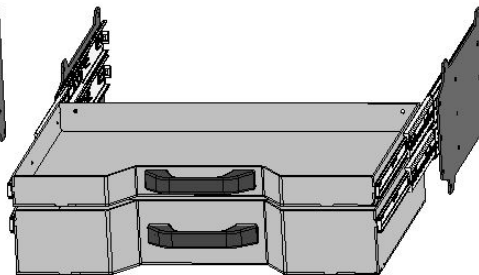
- 27" x 20" Deep
- Drawers Available 1, 2 or 3 drawers
- Drawer kits can be added later
- Can be ordered with or without Backup light.
- Gas Shocks on Top door
- Screwdriver holders on shelf
- Wrench rack on the top back panel



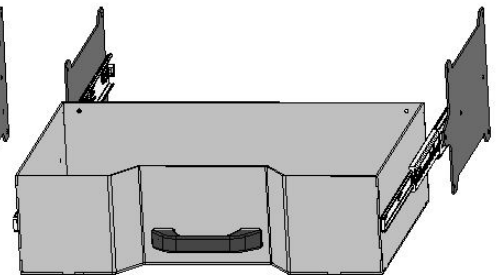
Front Mount Tool box is angled so That it fits flush against the headache Rack and matches the taper of the Wide bed and the top taper tool boxes Can bolt up flush with no gaps.



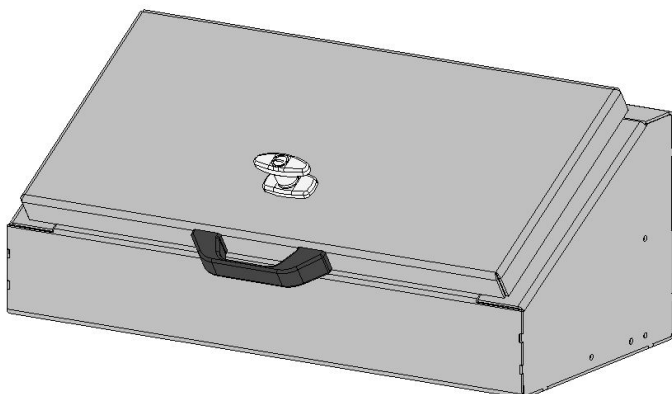
3 drawers 1-3/4" deep



1 drawer 1-3/4" deep
1 drawer 3-7/8" deep



1 drawer 6" deep



Top Taper Tool boxes

Available lengths

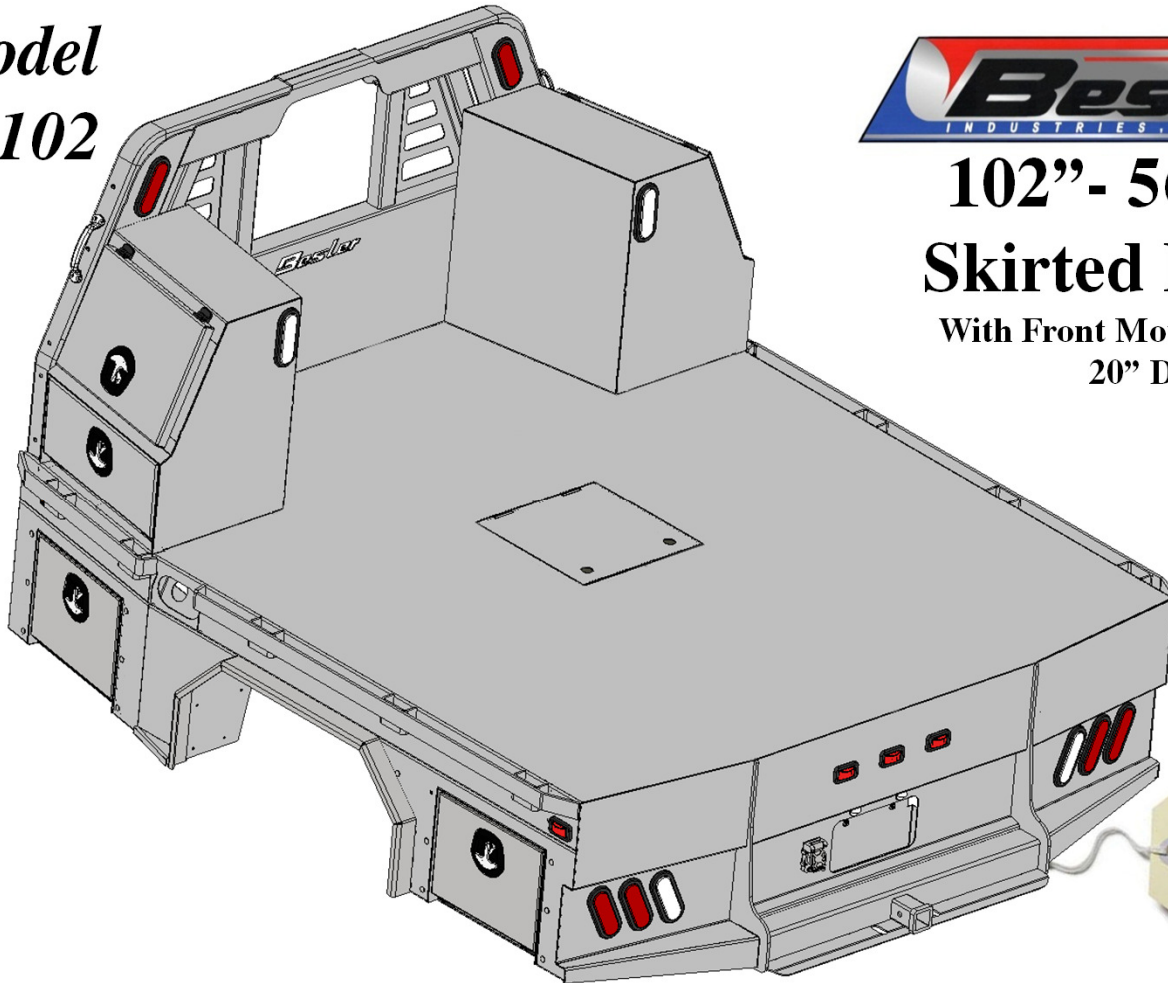
- 26"
- 34"
- 39"
- 46"
- 52"
- 68"
- 78"

**Model
82102**



102" - 56 Wide Skirted Flatbed

With Front Mount Toolboxes
20" Deep



Base Price

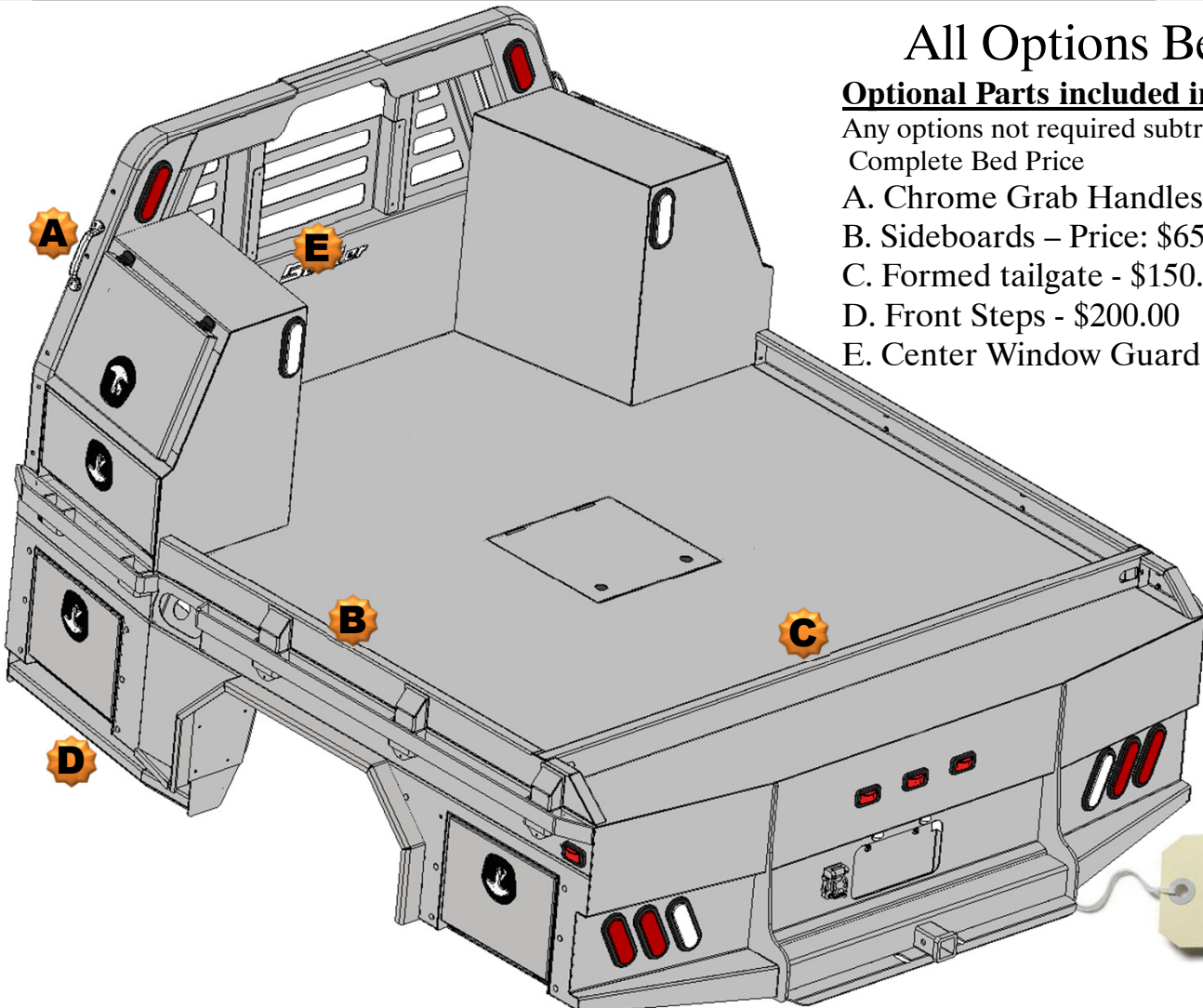
\$11,010

All Options Bed

Optional Parts included in price

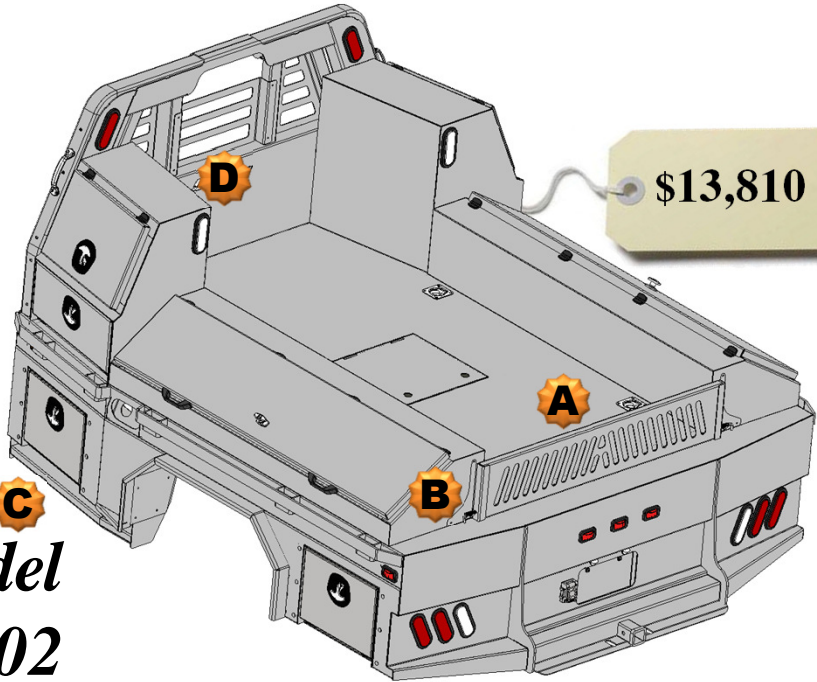
Any options not required subtract from Complete Bed Price

- A. Chrome Grab Handles - \$46.00 pair
- B. Sideboards - Price: \$650.00 - Pair
- C. Formed tailgate - \$150.00
- D. Front Steps - \$200.00
- E. Center Window Guard - \$100.00



\$12,156

**Model
82102**



\$13,810

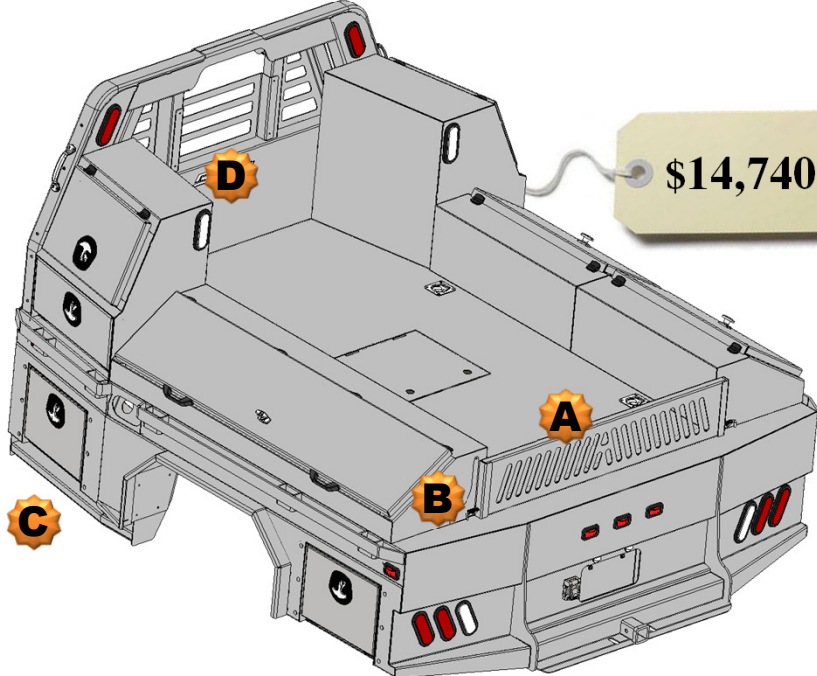
**All Options Bed
102 – 56 Wide Skirted
Flatbed w/Toolboxes
20” Deep**

**2 – 24” Front Mount Toolboxes
2 – 68” Taper Toolboxes**

Optional Parts included in price

Any options not required subtract from Complete Bed Price.

- A. Formed Tailgate - \$150.00
- B. Tailgate Brackets - \$30.00 pair
- C. Front Steps - \$200.00 pair
- D. Center Window Guard - \$100.00



\$14,740

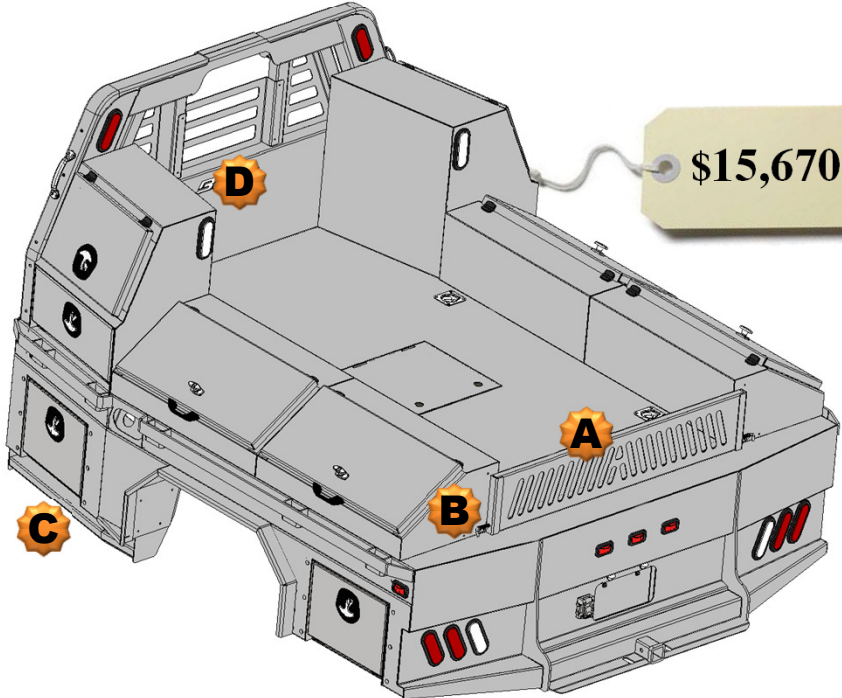
**All Options Bed
102 – 56 Wide Skirted
Flatbed w/Toolboxes
20” Deep**

**2 – 24” Front Mount Toolboxes
1 – 68” Taper Toolbox
2 – 34” Taper Toolbox**

Optional Parts included in price

Any options not required subtract from Complete Bed Price.

- A. Formed Tailgate - \$150.00
- B. Tailgate Brackets - \$26.00 pair
- C. Front Steps - \$200.00 pair
- D. Center Window Guard - \$100.00



\$15,670

**All Options Bed
102 – 56 Wide Skirted
Flatbed w/Toolboxes
20” Deep**

**2 – 24” Front Mount Toolboxes
4 – 34” Taper Toolboxes**

Optional Parts included in price

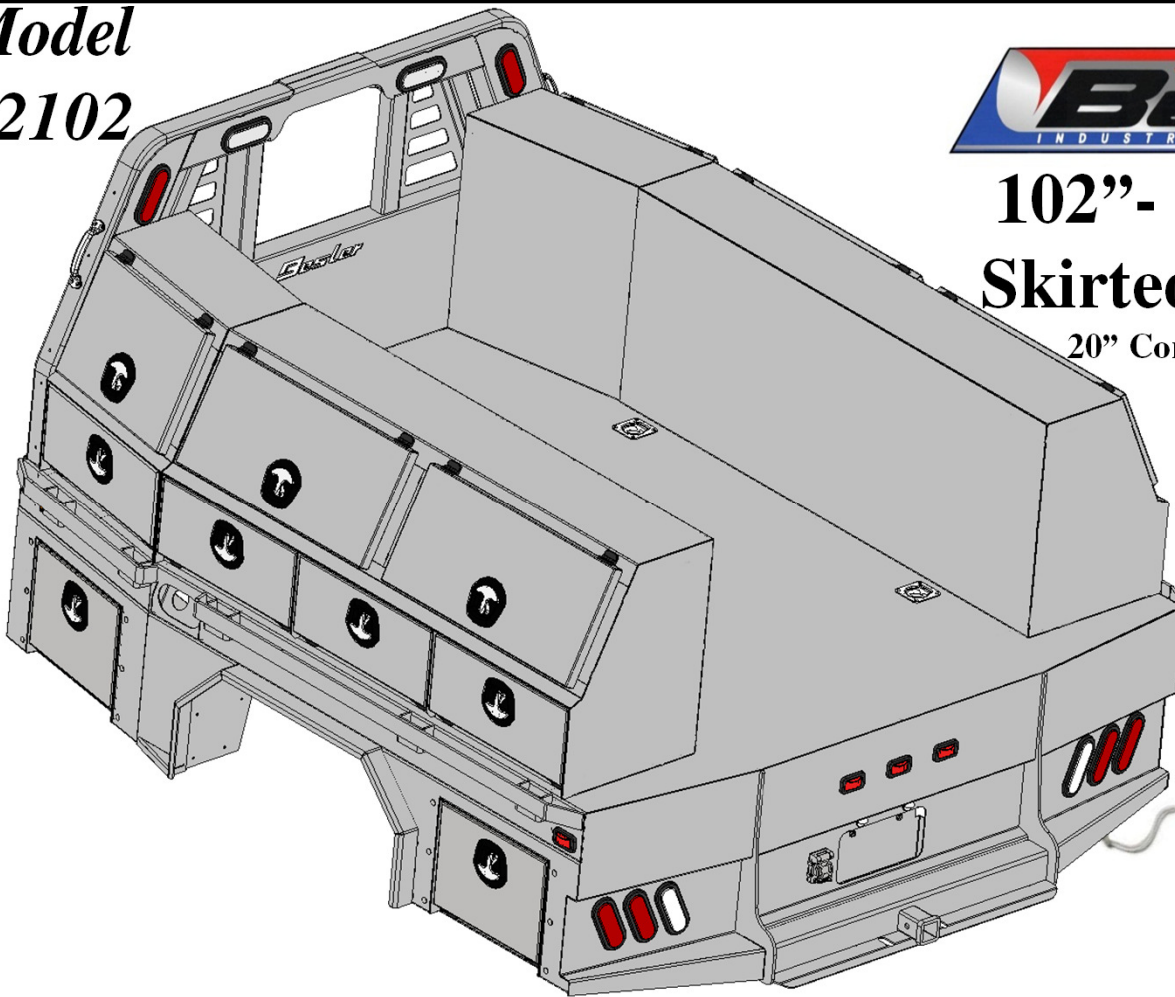
Any options not required subtract from Complete Bed Price.

- A. Formed Tailgate - \$150.00
- B. Tailgate Brackets - \$26.00 pair
- C. Front Steps - \$200.00 pair
- D. Center Window Guard - \$100.00

Model
82102

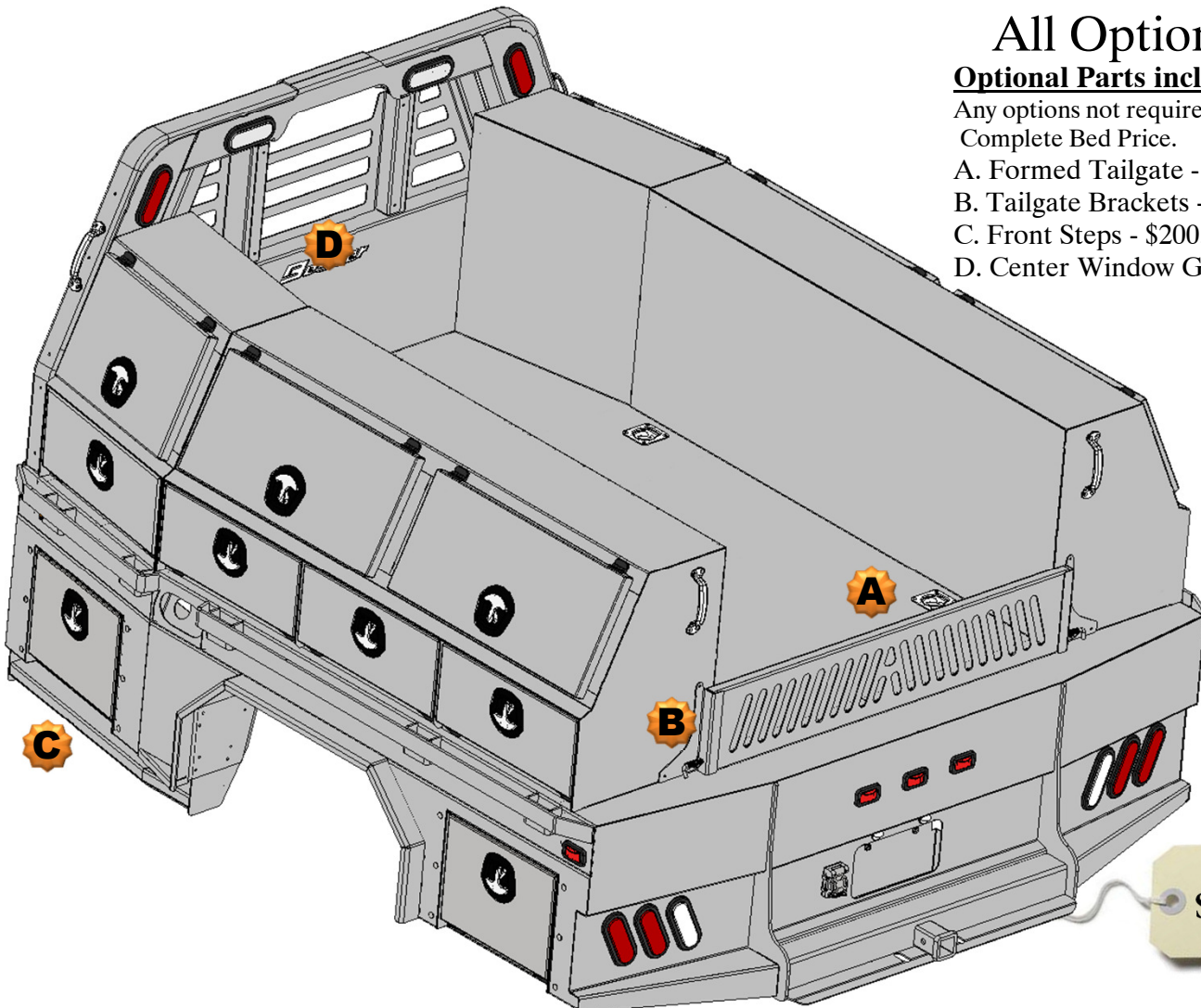


102"- 56 Wide
Skirted Flatbed
20" Contractor Box



Base Price

\$17,790



All Options Bed

Optional Parts included in price

Any options not required subtract from Complete Bed Price.

- A. Formed Tailgate - \$150.00
- B. Tailgate Brackets - \$30.00 pair
- C. Front Steps - \$200.00 pair
- D. Center Window Guard - \$100.00

\$18,270