



8112

Skirted Bed

Options & Price Guide



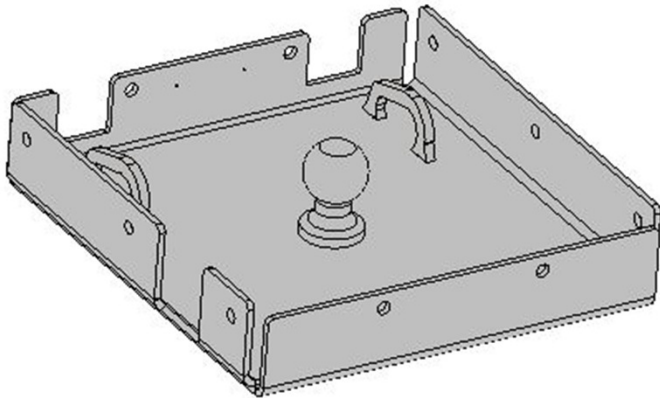


Fifth Wheel Options

Standard Recessed Ball

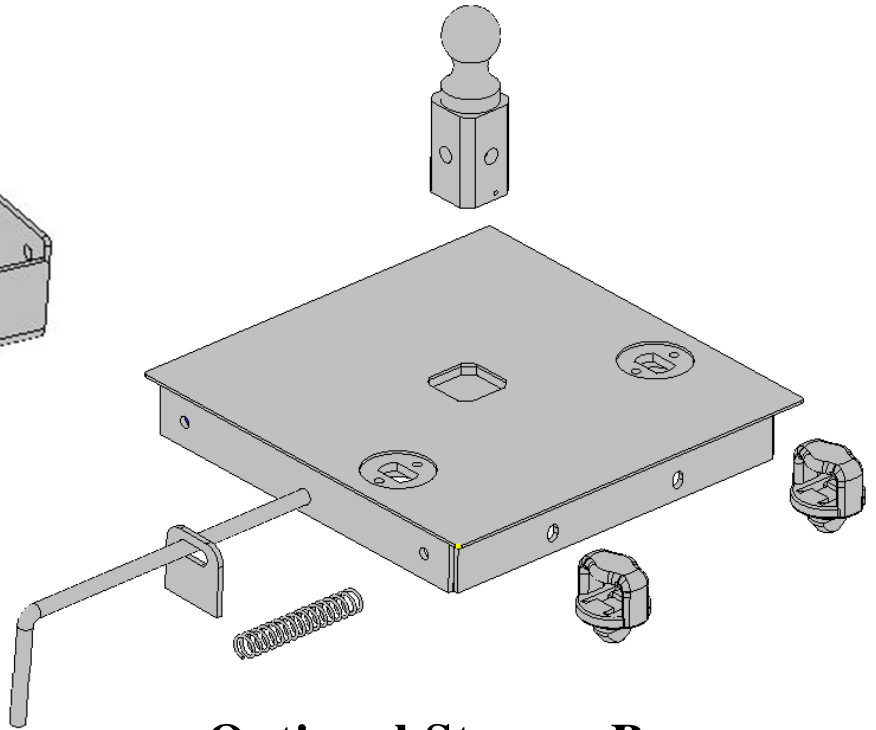
30,000 lbs 5th wheel ball included

\$200.00 Retail Price



Optional Flush Mount Flip Over Ball

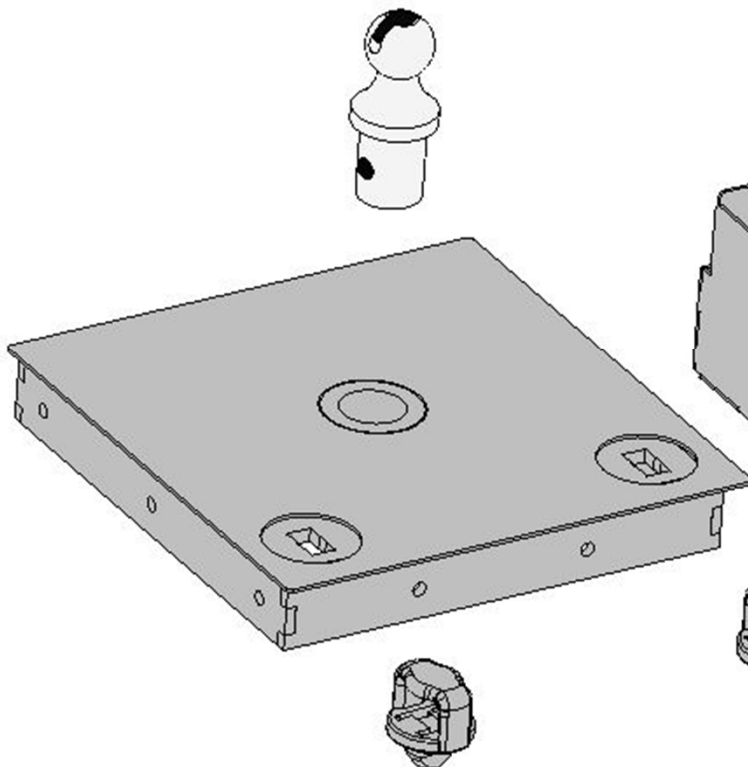
Upgrade from standard
5th wheel - \$450.00



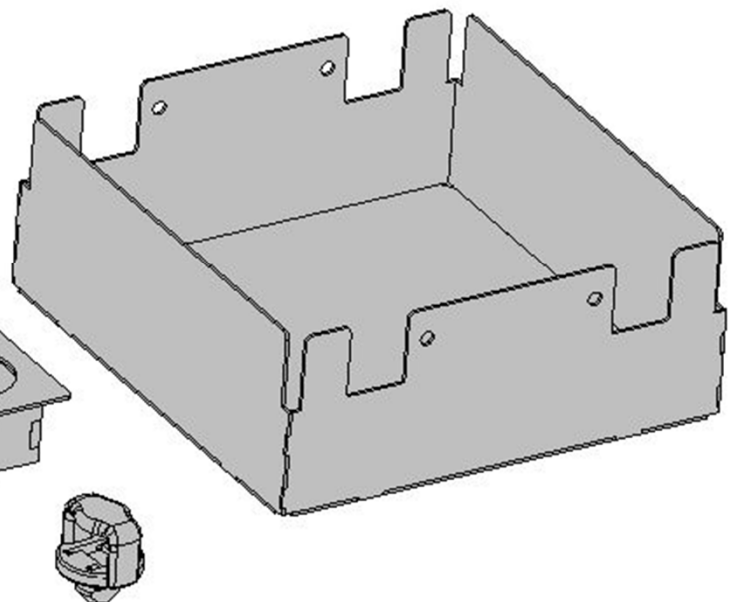
Optional Flush Mount For Drop In Ball

Upgrade from standard
5th wheel - \$400.00

Ball and Puck \$300.00 Net



Optional Storage Box \$190.00 Retail Price

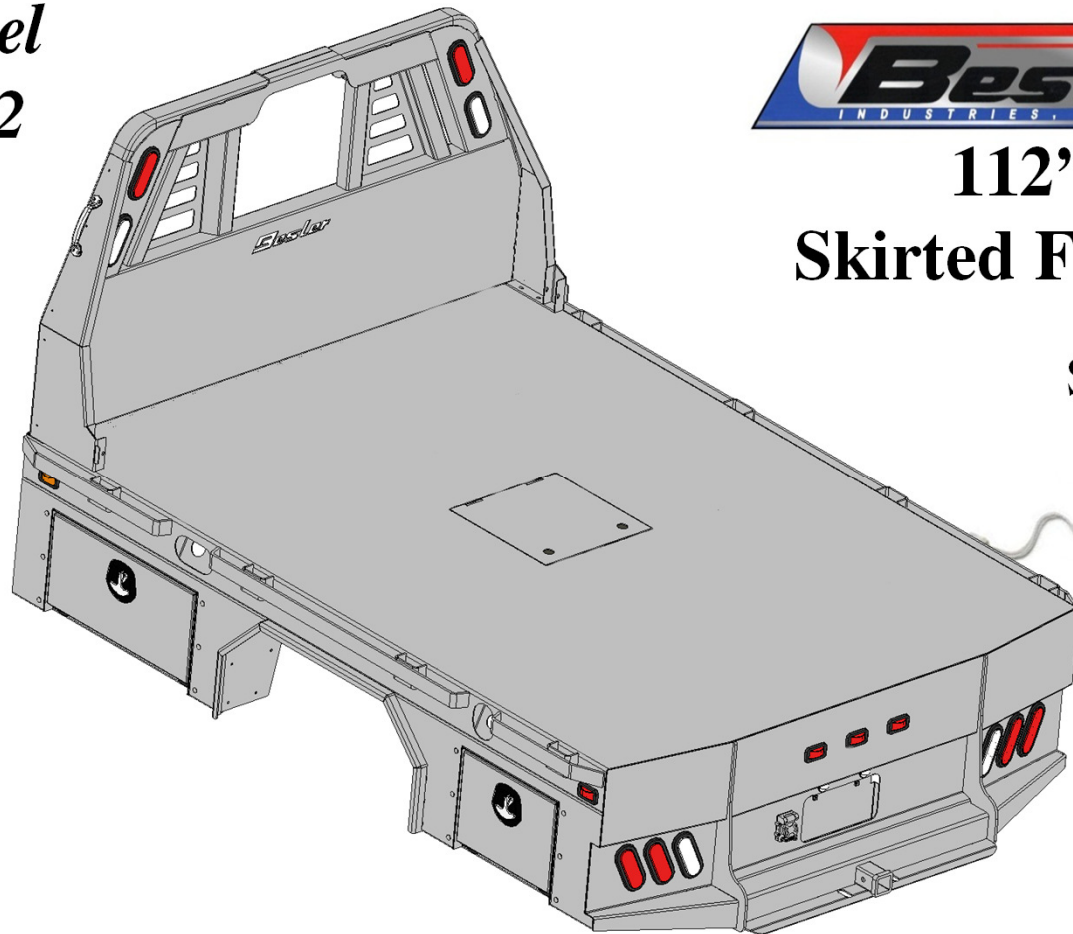


Model
8112

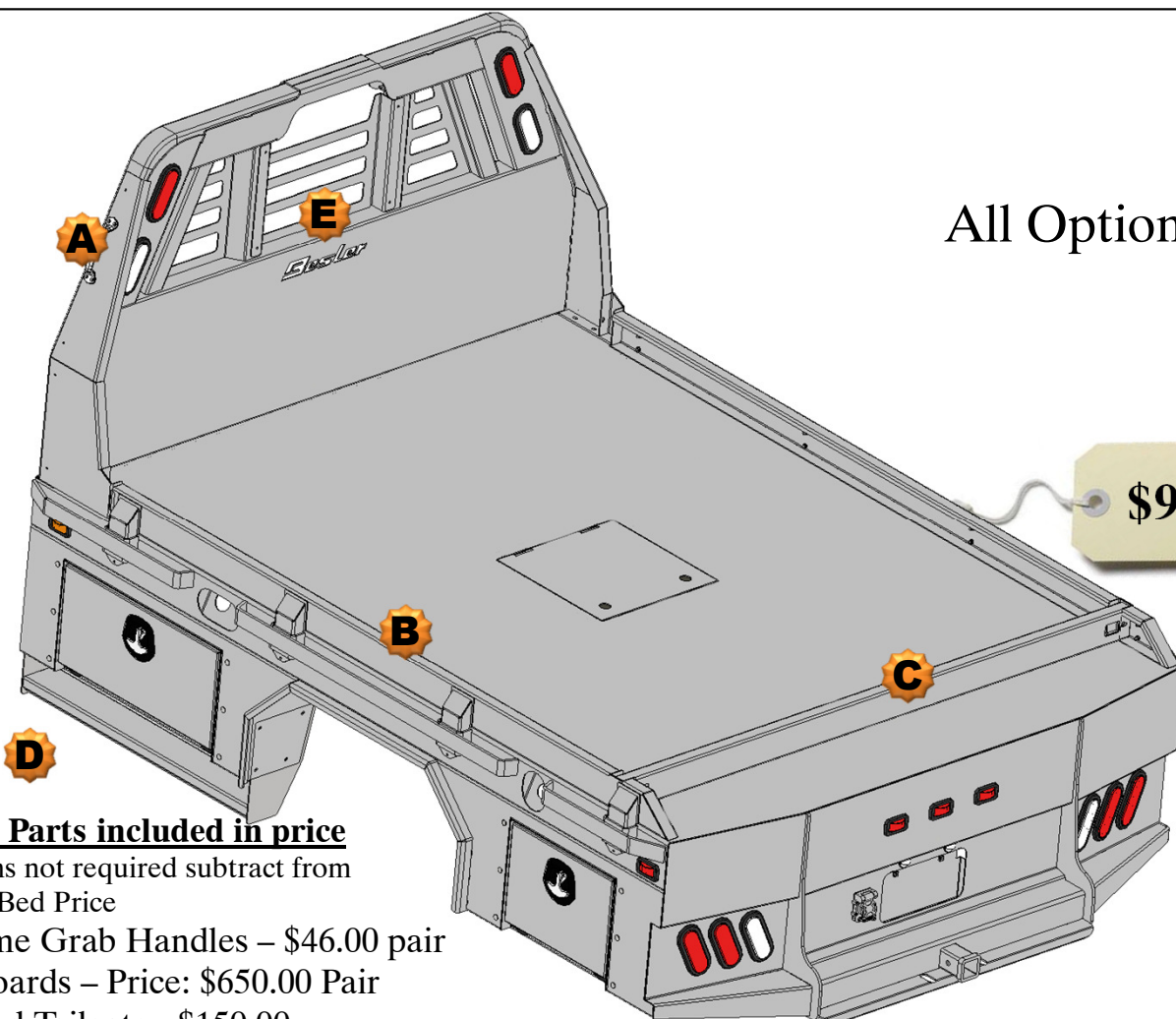


112"
Skirted Flatbed

Standard Bed



\$7,955



All Options Bed

\$9,101

Optional Parts included in price

Any options not required subtract from Complete Bed Price

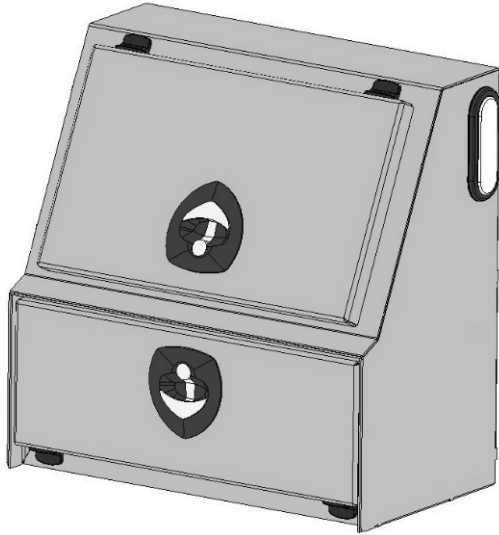
- A. Chrome Grab Handles – \$46.00 pair
- B. Sideboards – Price: \$650.00 Pair
- C. Formed Tailgate - \$150.00
- D. Front Steps - \$200.00 Pair
- E. Center Window Guard - \$100.00



112" Flatbed

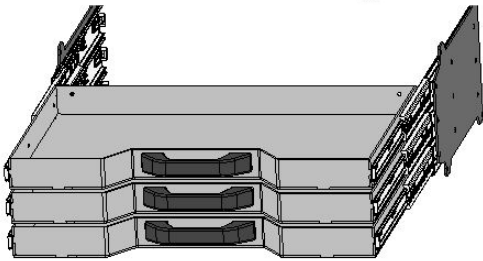
Price and configurations

With 15" Deep Tool boxes

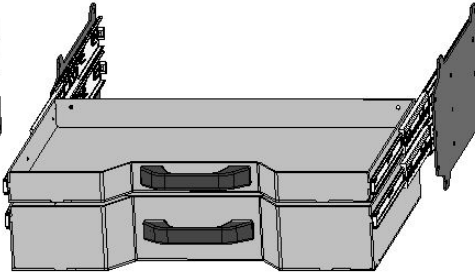


Front Mount Tool box

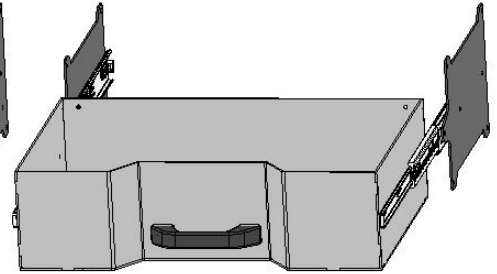
- 27" x 15" Deep
- Drawers Available 1, 2 or 3 drawers
- Drawer kits can be added later
- Can be ordered with or without Backup light.
- Gas Shocks on Top door
- Screwdriver holders on shelf
- Wrench rack on the top back panel



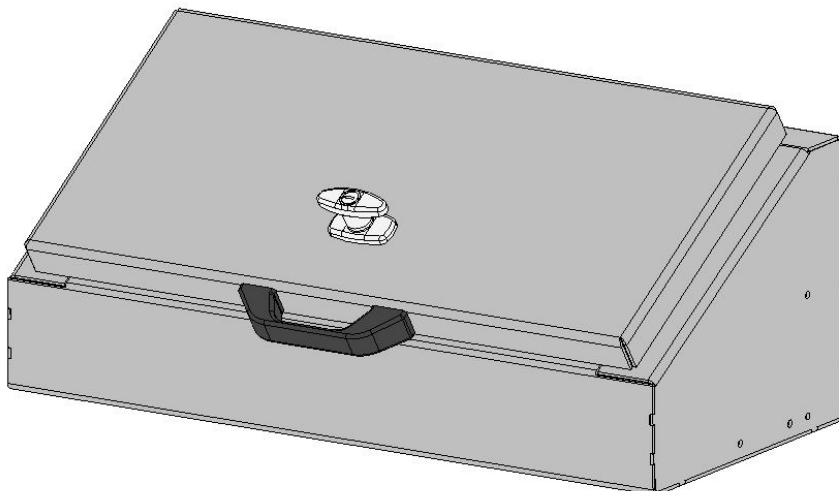
3 drawers 1-3/4" deep



1 drawer 1-3/4" deep
1 drawer 3-7/8" deep



1 drawer 6" deep



Top Taper Tool boxes

Available lengths

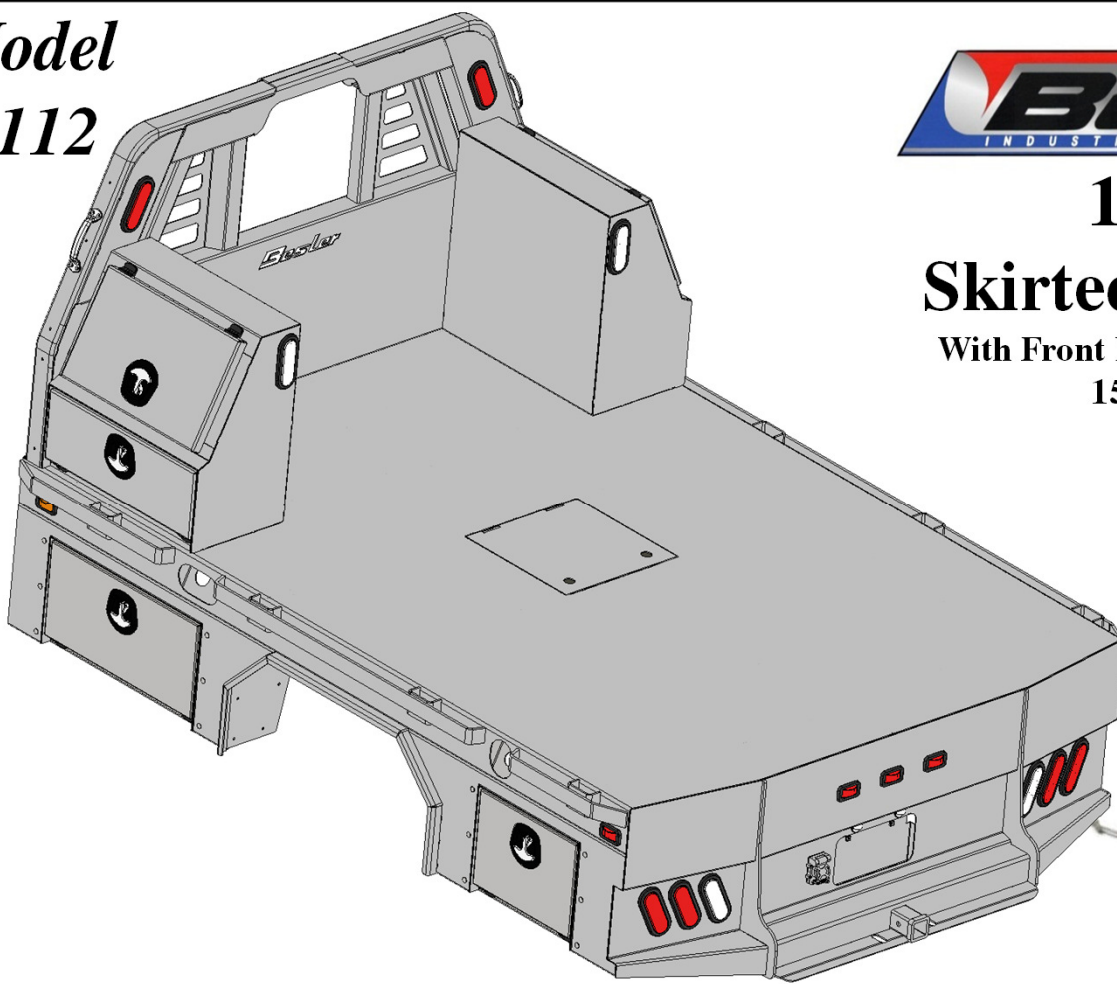
- 26"
- 34"
- 39"
- 46"
- 52"
- 68"
- 78"

Model
8112



112"
Skirted Flatbed

With Front Mount Toolboxes
15" deep



Base Price

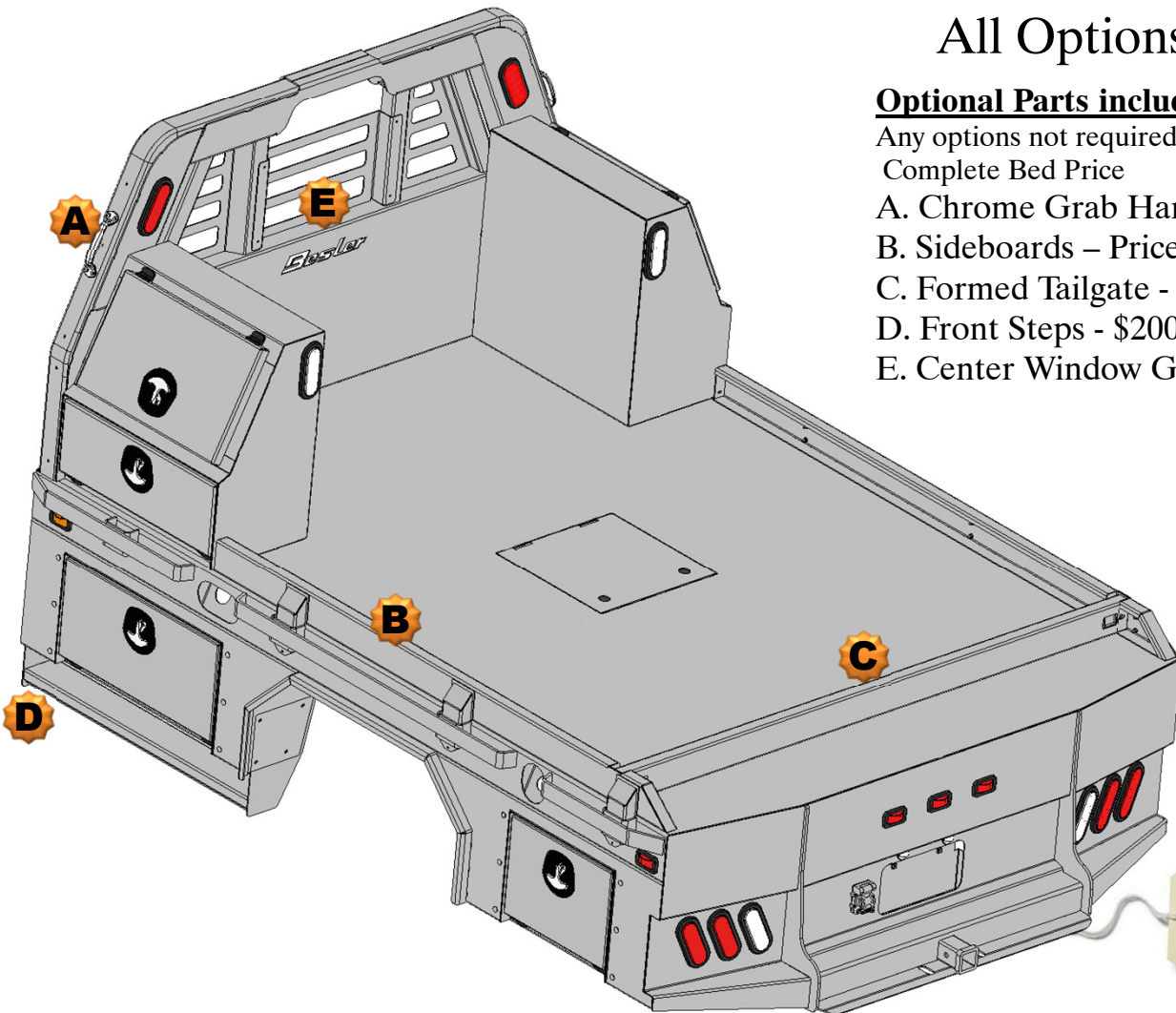
\$10,425

All Options Bed

Optional Parts included in price

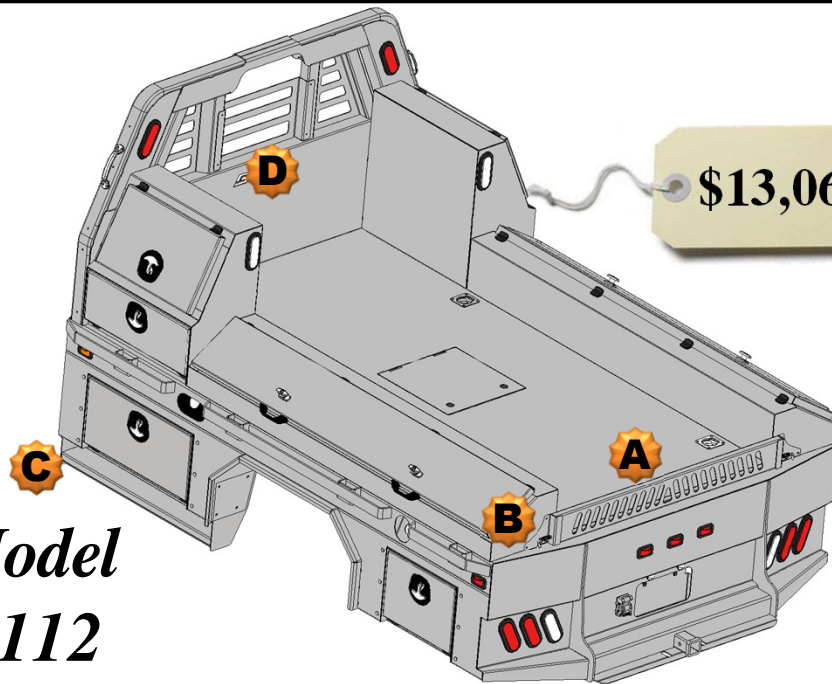
Any options not required subtract from Complete Bed Price

- A. Chrome Grab Handles – \$46.00 pair
- B. Sideboards – Price: \$650.00 – Pair
- C. Formed Tailgate - \$150.00
- D. Front Steps - \$200.00 pair
- E. Center Window Guard - \$100.00



\$11,571

**Model
8112**



\$13,065

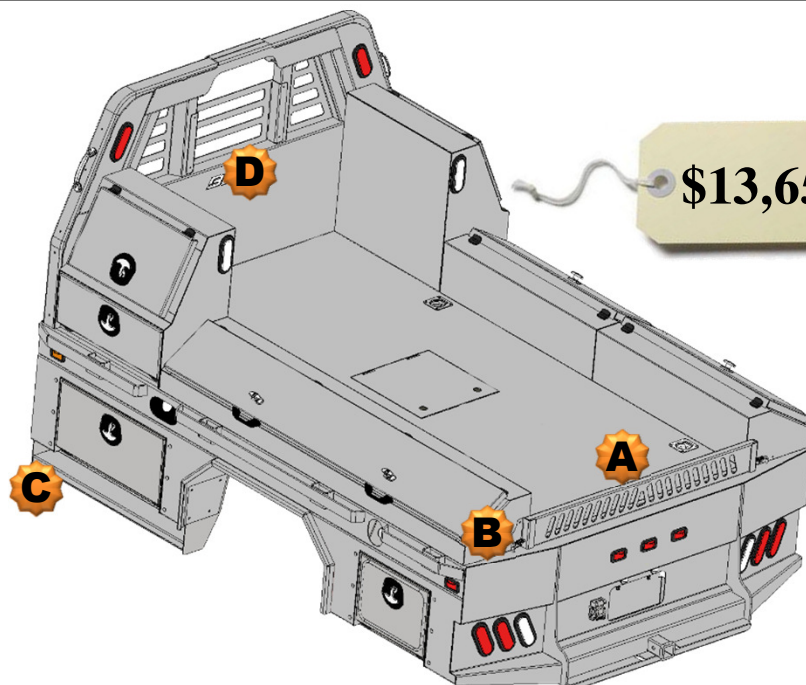
All Options Bed
112 Skirted Flatbed
w/Toolboxes
15" Deep

2 - 27" Front Mount Toolboxes
2 - 78" Taper Toolboxes

Optional Parts included in price

Any options not required subtract from Complete Bed Price.

- A. Formed Tailgate - \$150.00
- B. Tailgate Brackets - \$30.00 pair
- C. Front Steps - \$200.00 pair
- D. Center Window Guard - \$100.00



\$13,655

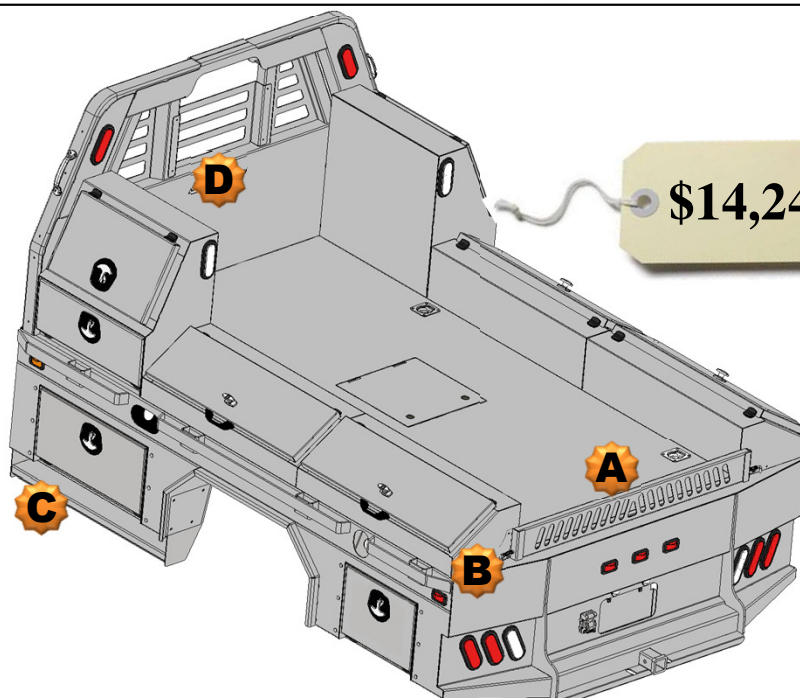
All Options Bed
112 Skirted Flatbed
w/Toolboxes
15" Deep

2 - 27" Front Mount Toolboxes
1 - 78" Taper Toolbox
2 - 39" Taper Toolbox

Optional Parts included in price

Any options not required subtract from Complete Bed Price.

- A. Formed Tailgate - \$150.00
- B. Tailgate Brackets - \$30.00 pair
- C. Front Steps - \$200.00 pair
- D. Center Window Guard - \$100.00



\$14,245

All Options Bed
112 Skirted Flatbed
w/Toolboxes
15" Deep

2 - 27" Front Mount Toolboxes
4 - 39" Taper Toolboxes

Optional Parts included in price

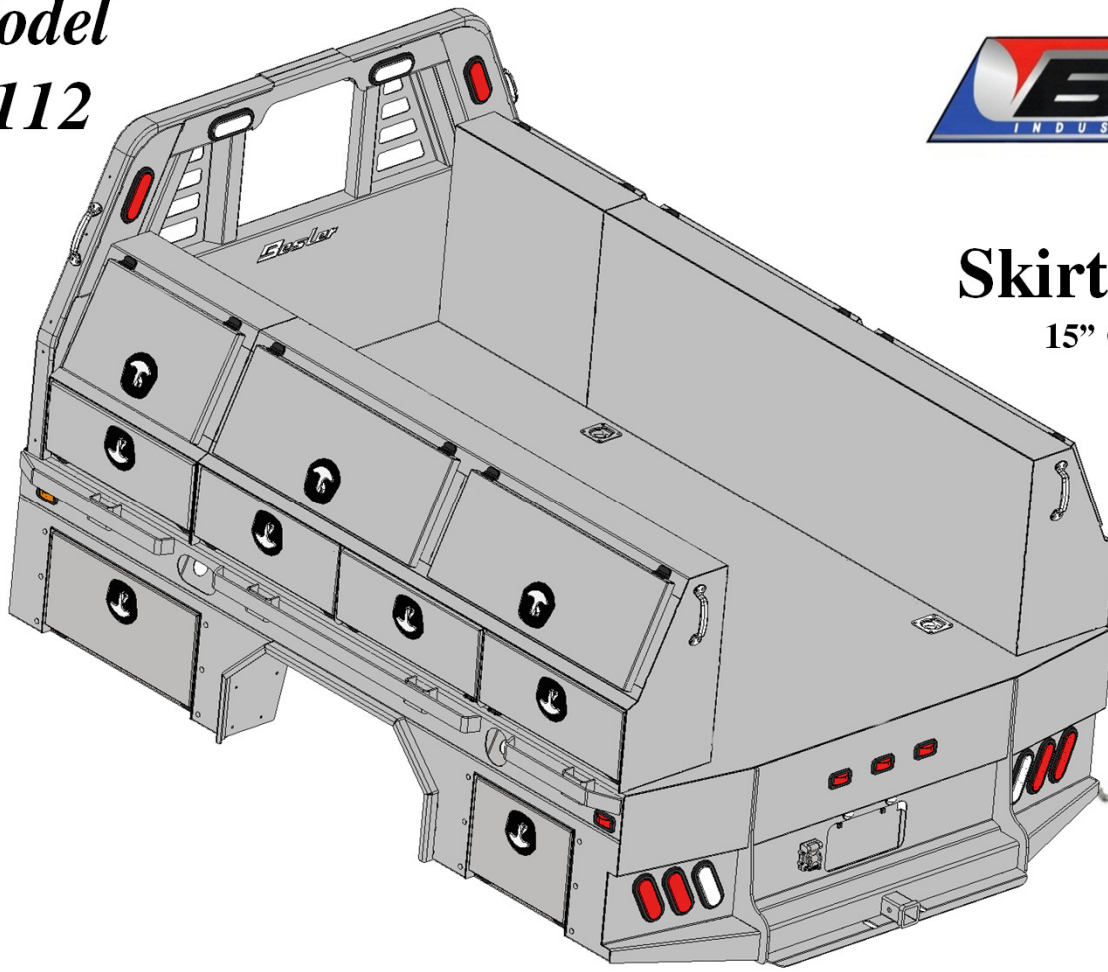
Any options not required subtract from Complete Bed Price.

- A. Formed Tailgate - \$150.00
- B. Tailgate Brackets - \$30.00 pair
- C. Front Steps - \$200.00 pair
- D. Center Window Guard - \$100.00

Model
8112



112"
Skirted Flatbed
15" Contractor Box



Base Price

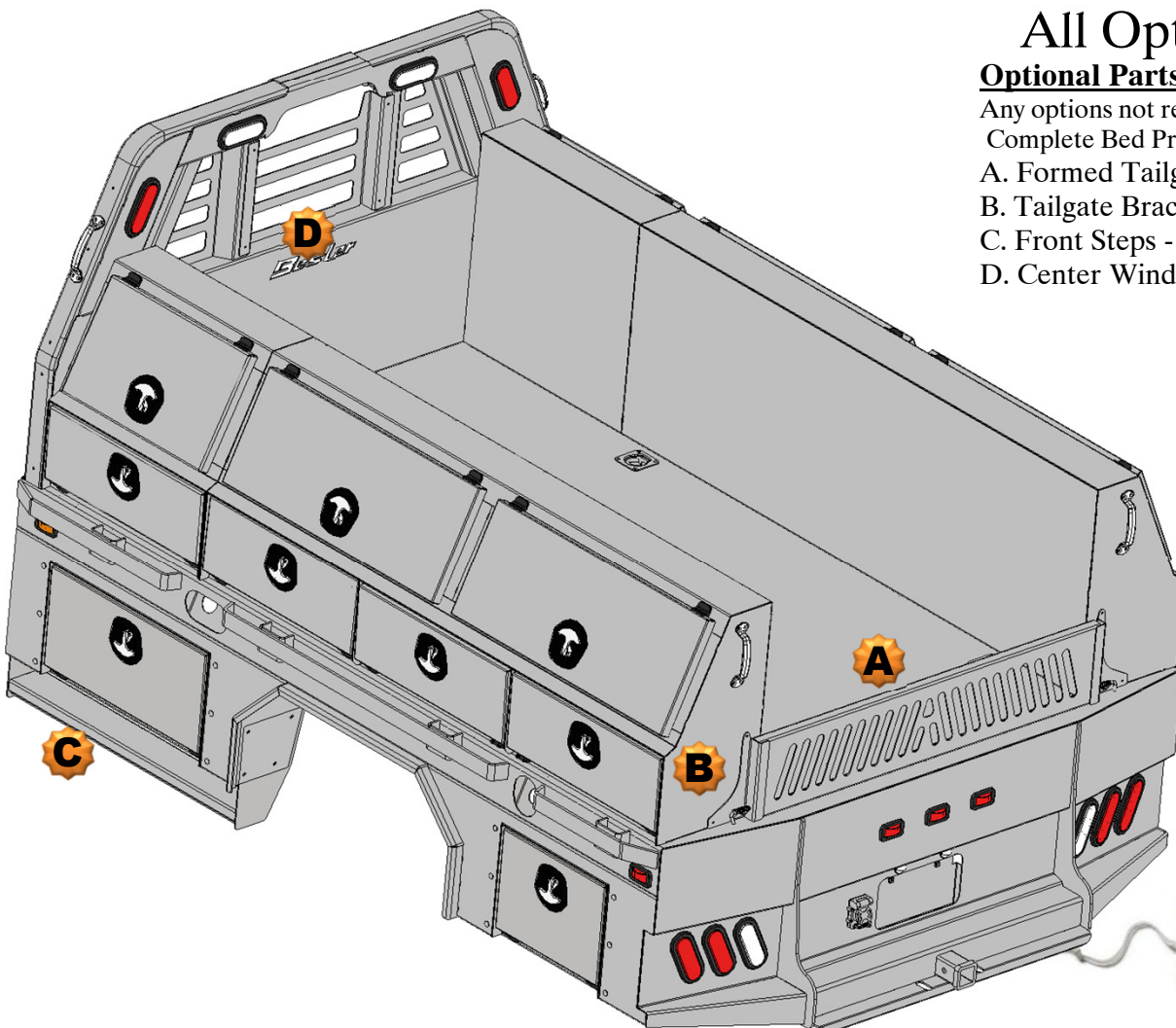
\$16,405

All Options Bed

Optional Parts included in price

Any options not required subtract from Complete Bed Price.

- A. Formed Tailgate - \$150.00
- B. Tailgate Brackets - \$30.00 pair
- C. Front Steps - \$200.00 pair
- D. Center Window Guard - \$100.00



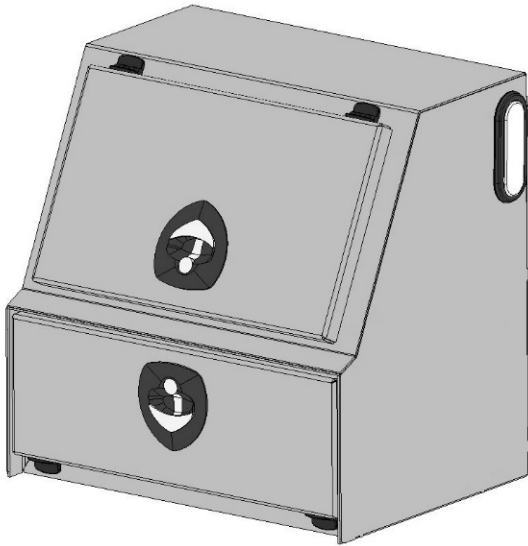
\$16,885



112" Flatbed

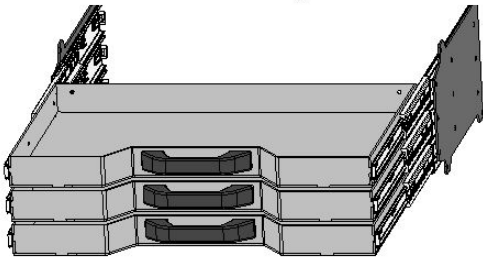
Price and configurations

With 20" Deep Tool boxes

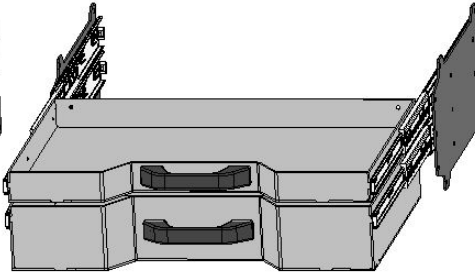


Front Mount Tool box

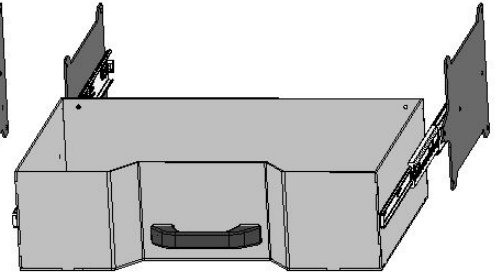
- 27" x 20" Deep
- Drawers Available 1, 2 or 3 drawers
- Drawer kits can be added later
- Can be ordered with or without Backup light.
- Gas Shocks on Top door
- Screwdriver holders on shelf
- Wrench rack on the top back panel



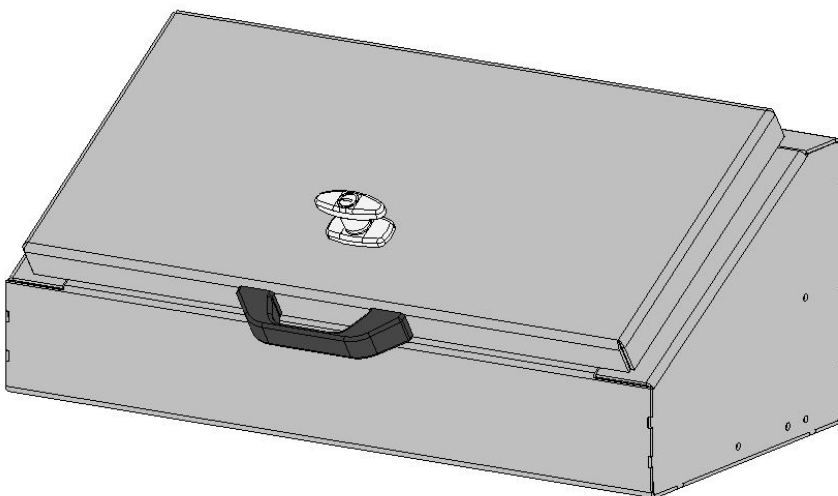
3 drawers 1-3/4" deep



1 drawer 1-3/4" deep
1 drawer 3-7/8" deep



1 drawer 6" deep



Top Taper Tool boxes

Available lengths

- 26"
- 34"
- 39"
- 46"
- 52"
- 68"
- 78"

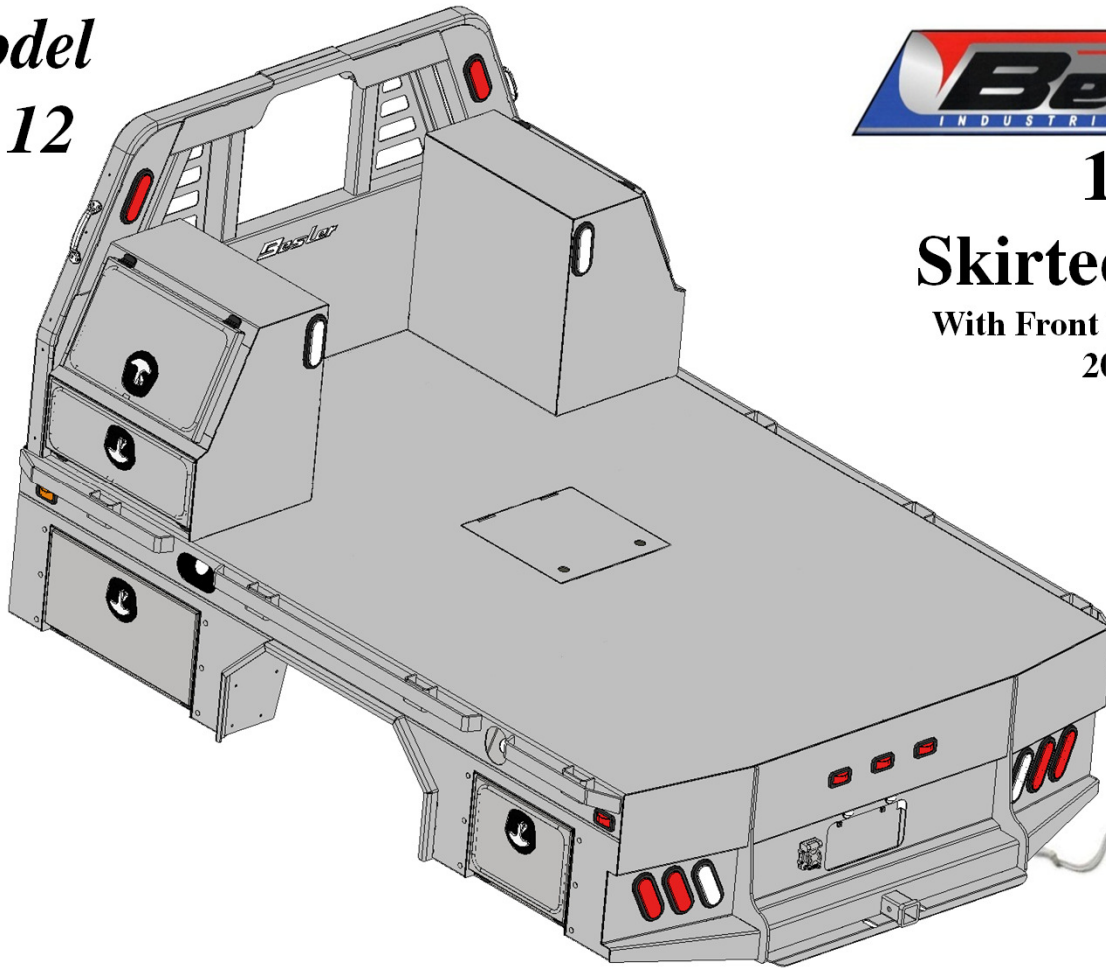
**Model
8112**



112"

Skirted Flatbed

With Front Mount Toolboxes
20" Deep



Base Price

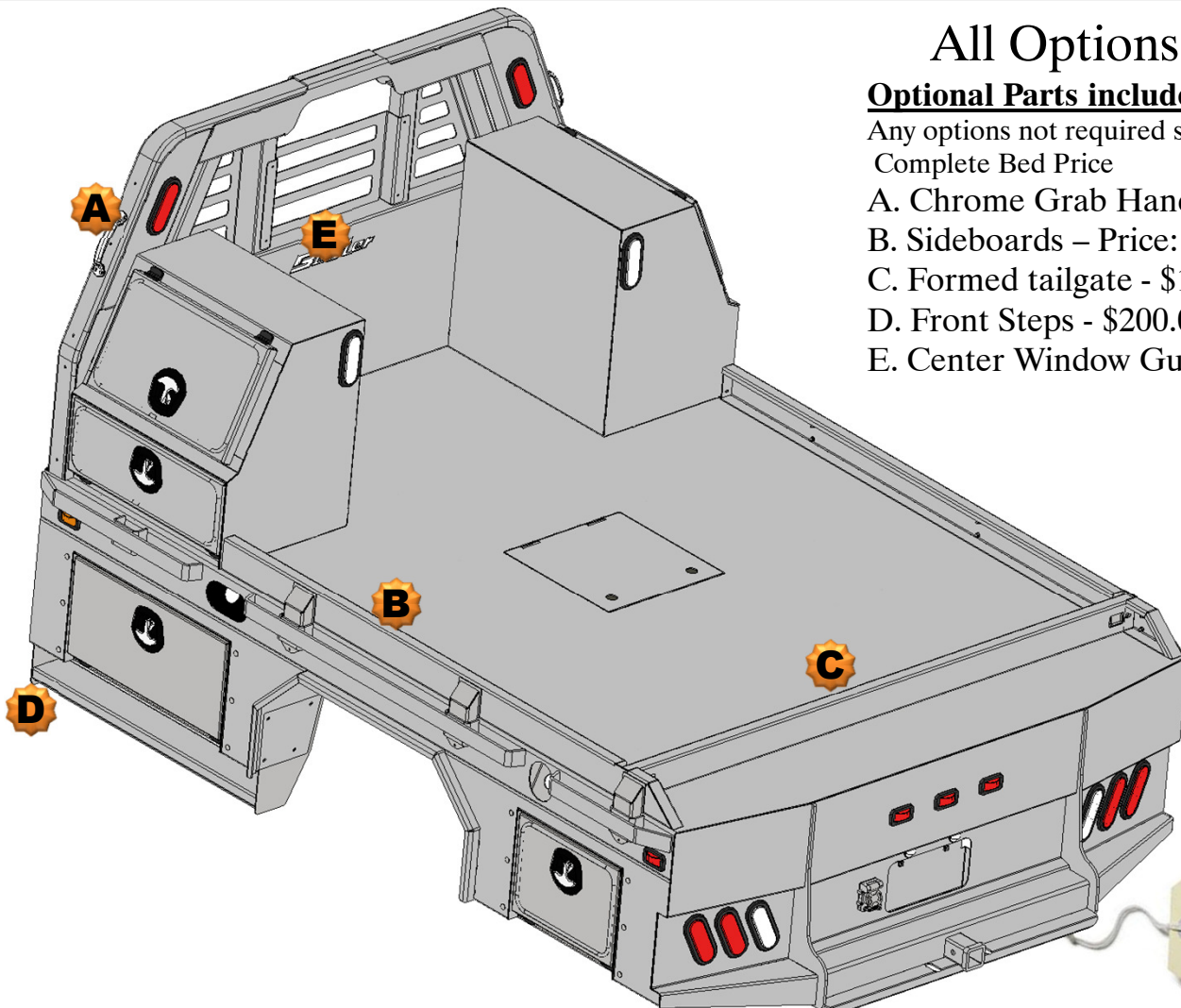
\$10,935

All Options Bed

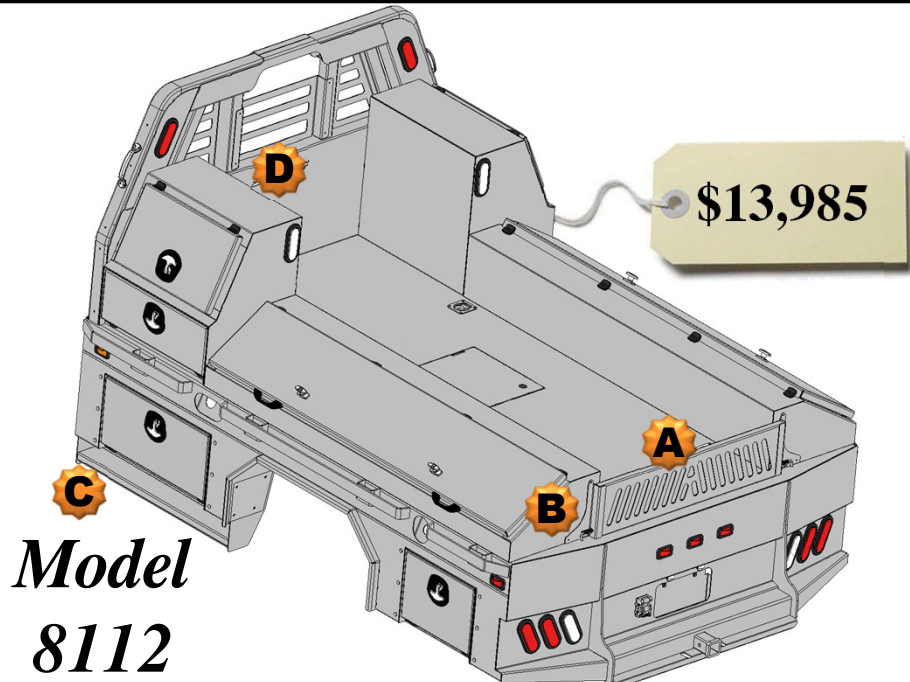
Optional Parts included in price

Any options not required subtract from Complete Bed Price

- A. Chrome Grab Handles – \$46.00 pair
- B. Sideboards – Price: \$650.00 – Pair
- C. Formed tailgate - \$150.00
- D. Front Steps - \$200.00
- E. Center Window Guard - \$100.00



\$12,081



**Model
8112**

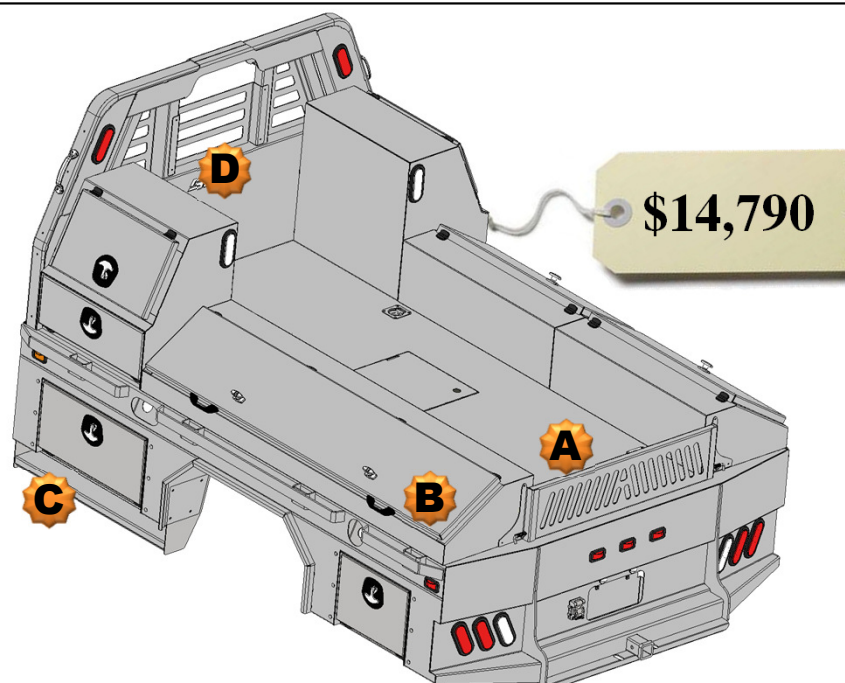
**All Options Bed
112 Skirted Flatbed
w/Toolboxes
20" Deep**

**2 - 27" Front Mount Toolboxes
2 - 78" Taper Toolboxes**

Optional Parts included in price

Any options not required subtract from Complete Bed Price.

- A. Formed Tailgate - \$150.00
- B. Tailgate Brackets - \$30.00 pair
- C. Front Steps - \$200.00 pair
- D. Center Window Guard - \$100.00



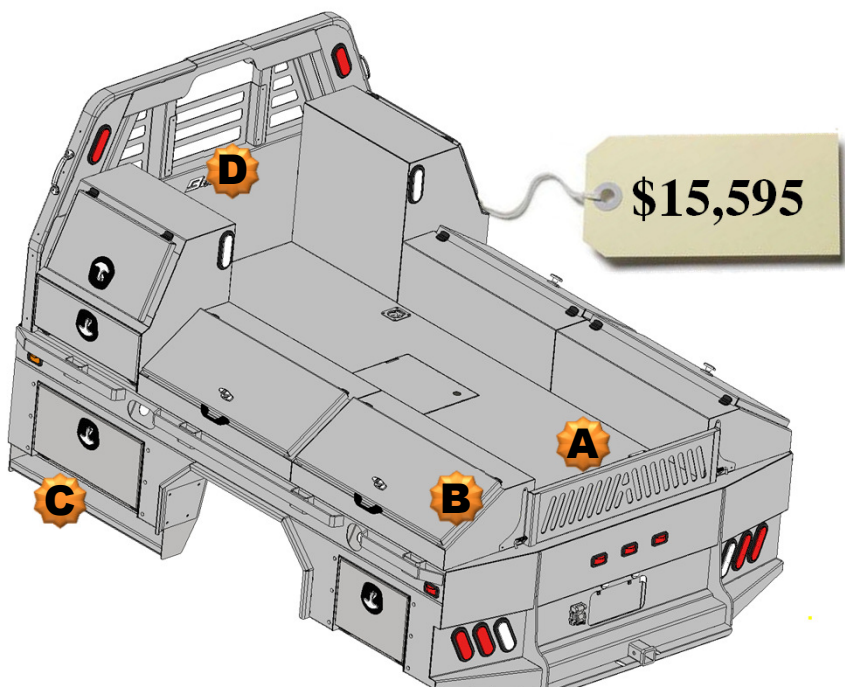
**All Options Bed
112 Skirted Flatbed
w/Toolboxes
20" Deep**

**2 - 27" Front Mount Toolboxes
1 - 78" Taper Toolbox
2 - 39" Taper Toolbox**

Optional Parts included in price

Any options not required subtract from Complete Bed Price.

- A. Formed Tailgate - \$150.00
- B. Tailgate Brackets - \$30.00 pair
- C. Front Steps - \$200.00 pair
- D. Center Window Guard - \$100.00



**All Options Bed
112 Skirted Flatbed
w/Toolboxes
20" Deep**

**2 - 27" Front Mount Toolboxes
4 - 39" Taper Toolboxes**

Optional Parts included in price

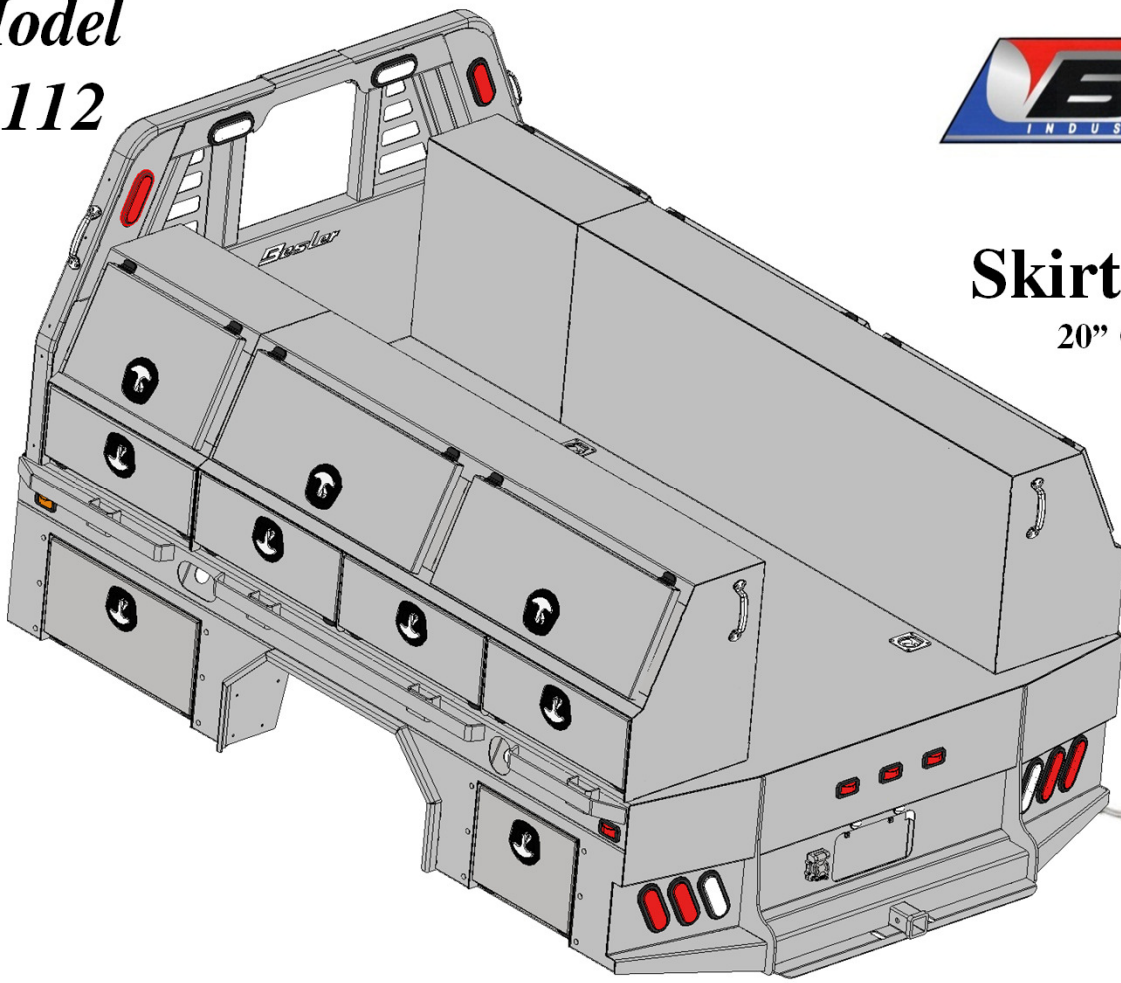
Any options not required subtract from Complete Bed Price.

- A. Formed Tailgate - \$150.00
- B. Tailgate Brackets - \$30.00 pair
- C. Front Steps - \$200.00 pair
- D. Center Window Guard - \$100.00

Model
8112

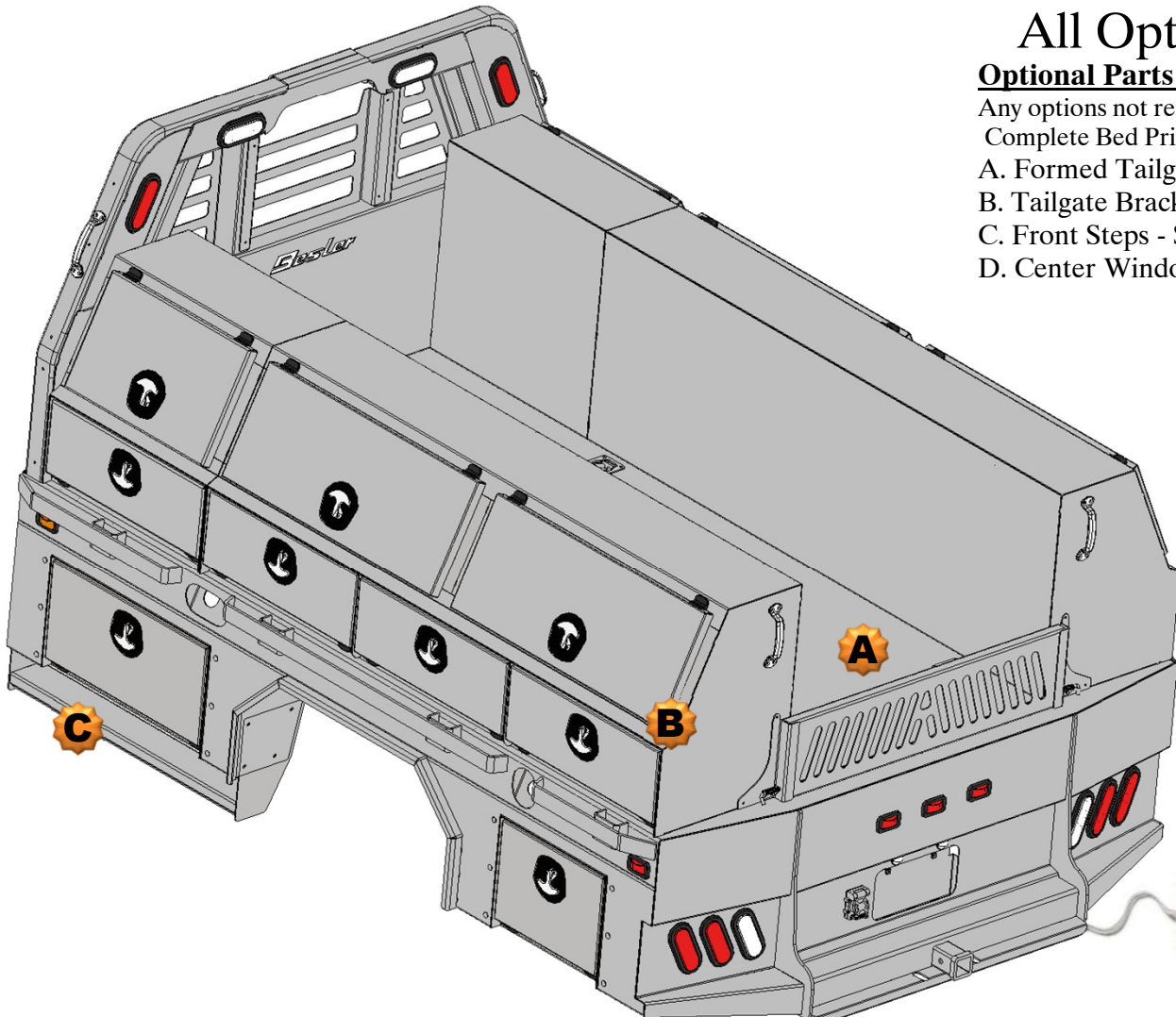


112"
Skirted Flatbed
20" Contractor Box



Base Price

\$17,715



All Options Bed

Optional Parts included in price

Any options not required subtract from Complete Bed Price.

- A. Formed Tailgate - \$150.00
- B. Tailgate Brackets - \$30.00 pair
- C. Front Steps - \$200.00 pair
- D. Center Window Guard- \$100.00

\$18,195