



# 8087 - 42 Cab to Axle

## Skirted Bed

### Options & Price Guide



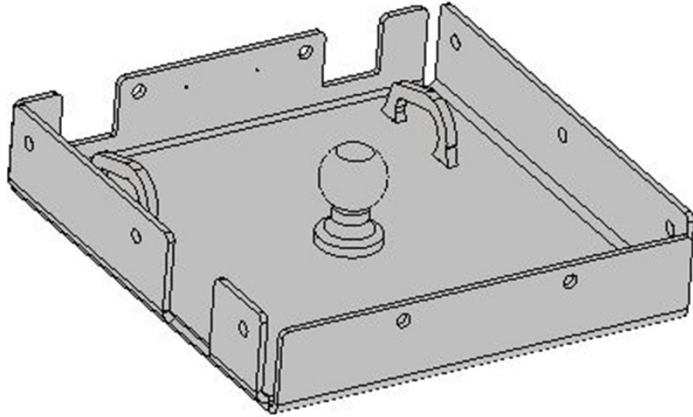


# Fifth Wheel Options

## Standard Recessed Ball

30,000 lbs 5th wheel ball included

\$200.00 Retail Price

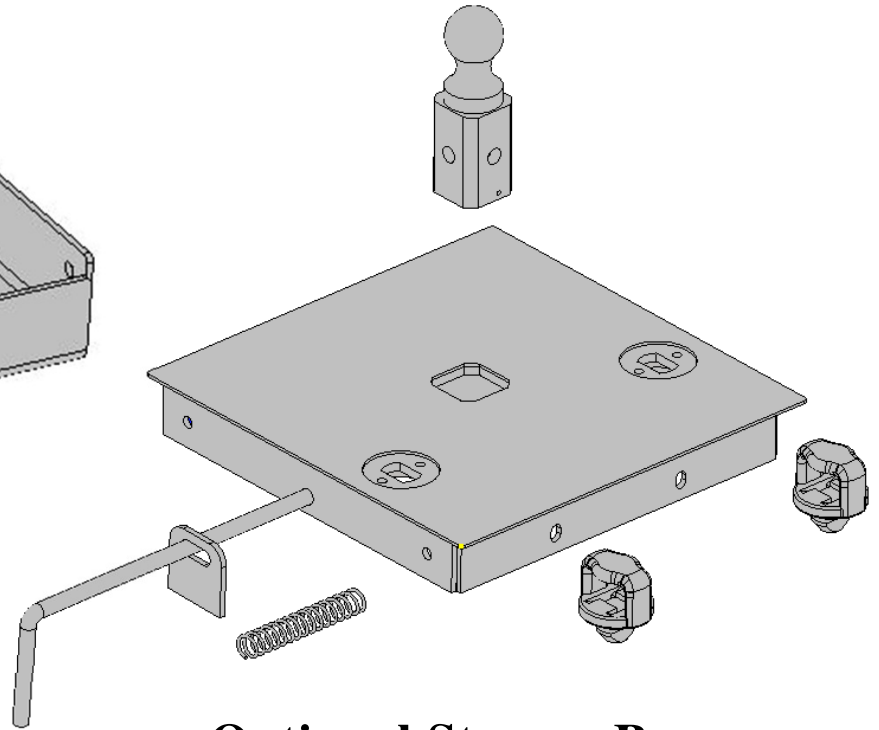


## Optional Flush Mount

### Flip Over Ball

Upgrade from standard

5<sup>th</sup> wheel - \$450.00

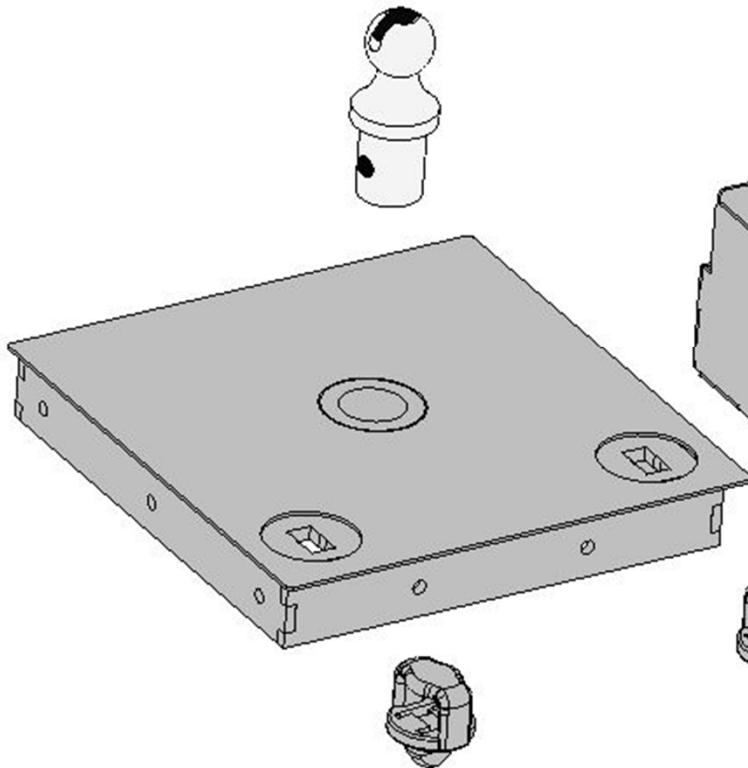


## Optional Flush Mount For Drop In Ball

Upgrade from standard

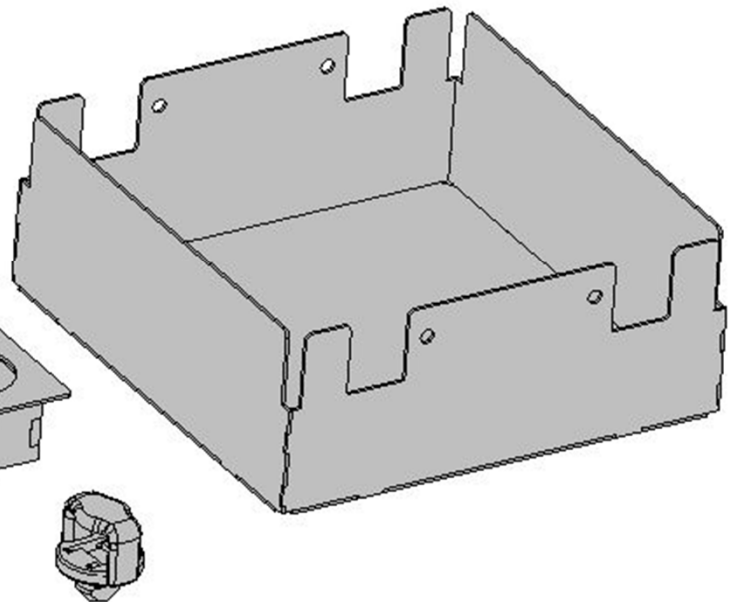
5<sup>th</sup> wheel - \$400.00

Ball and Puck \$300.00 Net



## Optional Storage Box

\$190.00 Retail Price

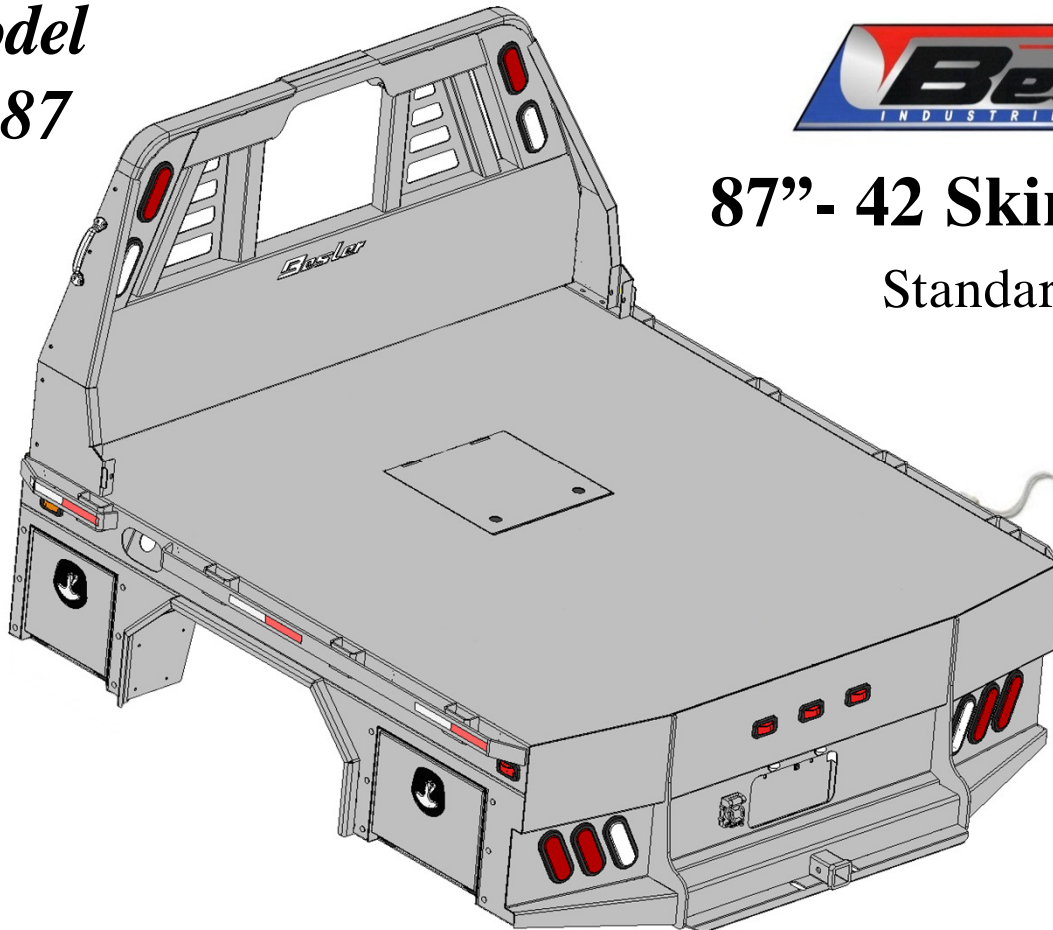


**Model**  
**8087**

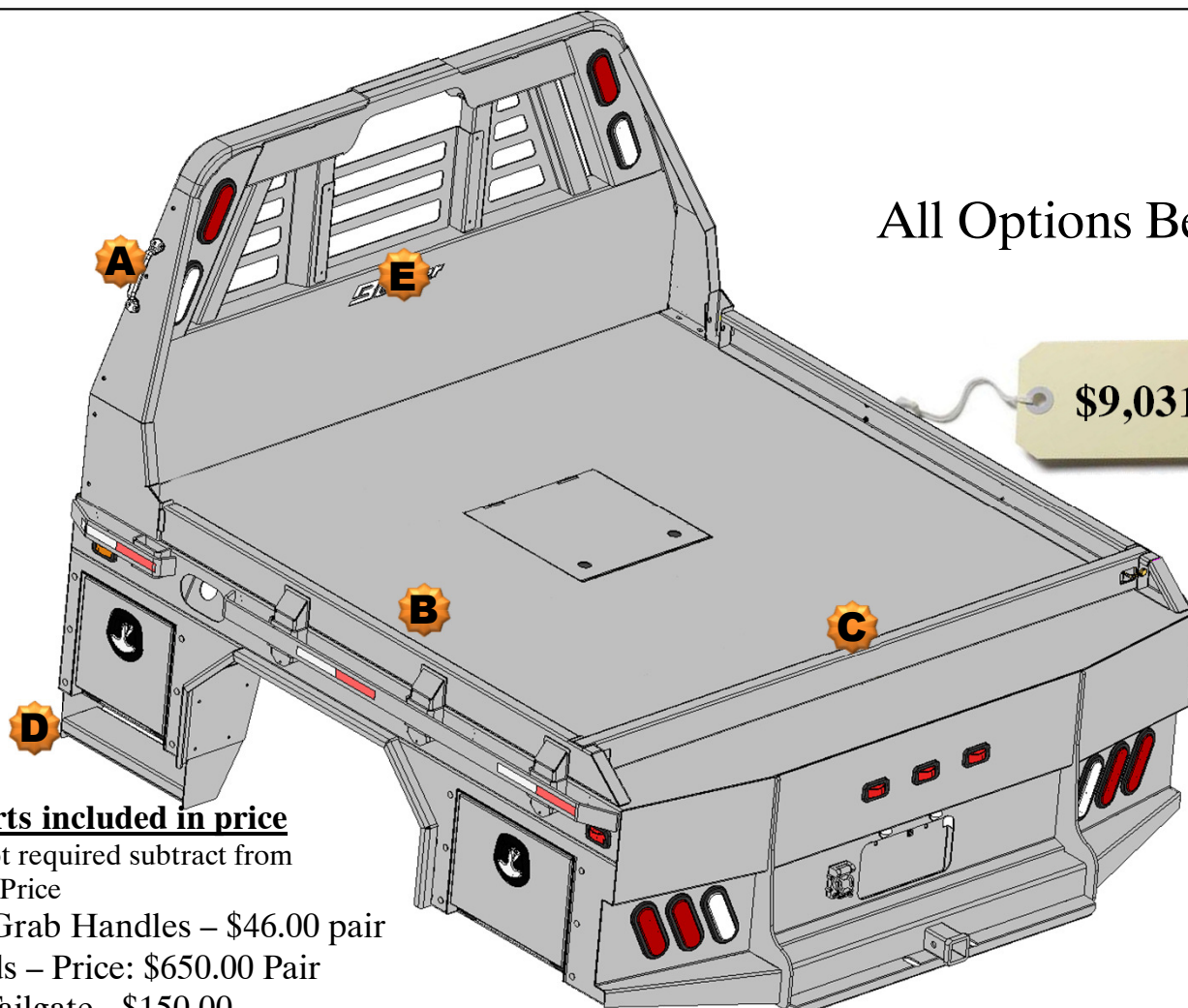


# 87"- 42 Skirted Flatbed

## Standard Bed



**\$7,885**



## All Options Bed

**\$9,031**

### **Optional Parts included in price**

Any options not required subtract from Complete Bed Price

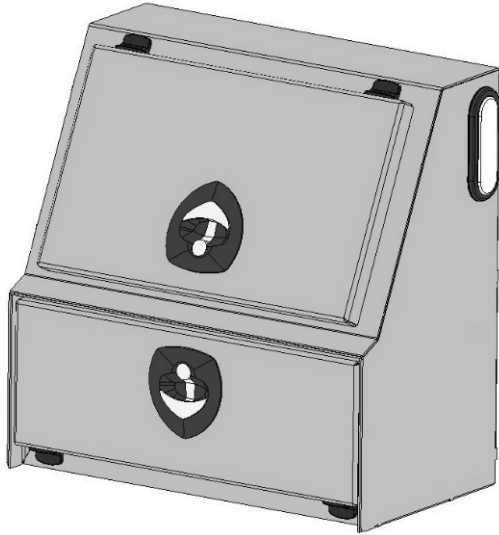
- A. Chrome Grab Handles - \$46.00 pair
- B. Sideboards - Price: \$650.00 Pair
- C. Formed Tailgate - \$150.00
- D. Front Steps - \$200.00 Pair
- E. Center Window Guard - \$100.00



# 87" Flatbed

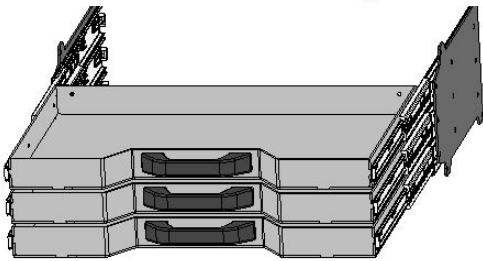
## Price and configurations

### With 15" Deep Tool boxes

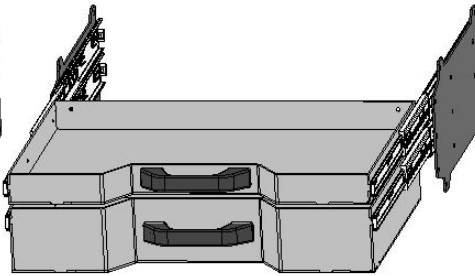


#### Front Mount Tool box

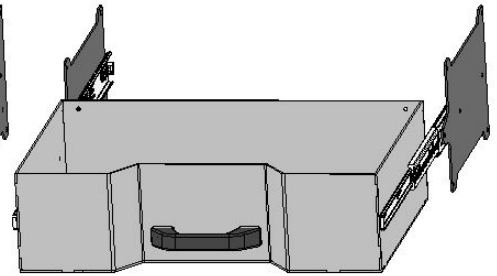
- 27" x 15" Deep
- Drawers Available 1, 2 or 3 drawers
- Drawer kits can be added later
- Can be ordered with or without Backup light.
- Gas Shocks on Top door
- Screwdriver holders on shelf
- Wrench rack on the top back panel



3 drawers 1-3/4" deep



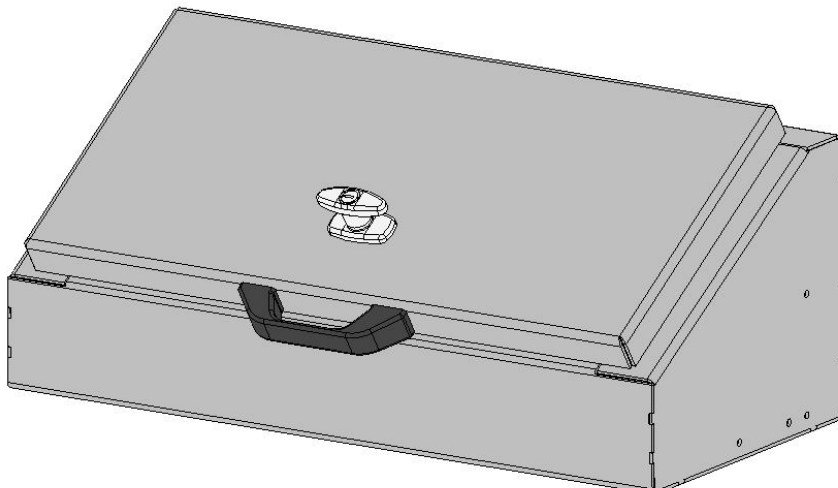
1 drawer 1-3/4" deep  
1 drawer 3-7/8" deep



1 drawer 6" deep

**CAUTION**

The front mount tool box is 27" tall. On an 87" bed there may be a clearance issue if you plan on pulling a gooseneck trailer. Depending on the style of gooseneck.



#### Top Taper Tool boxes

##### Available lengths

- 26"
- 34"
- 39"
- 46"
- 52"
- 68"
- 78"

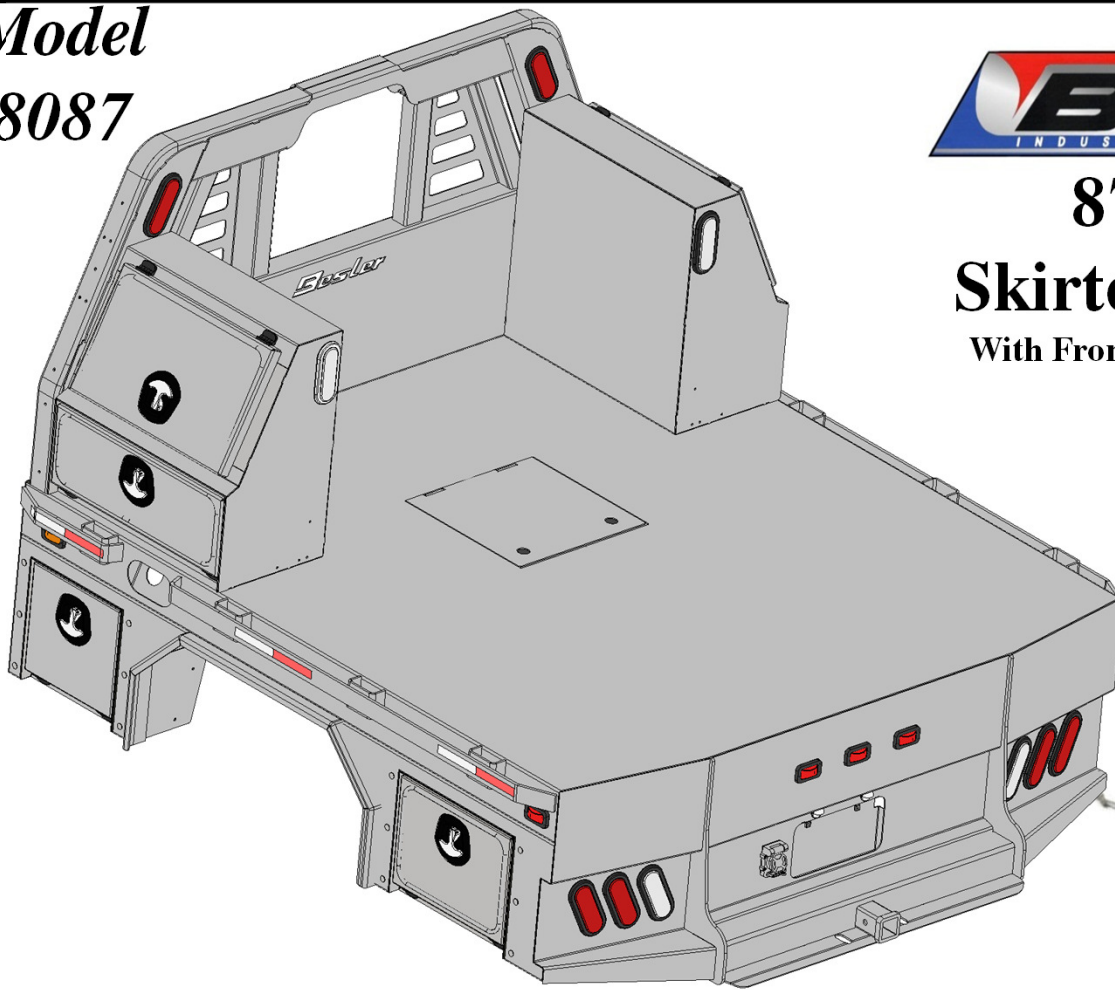
**Model**  
**8087**



**87" - 42**

## Skirted Flatbed

With Front Mount Toolboxes  
15" deep



Base Price

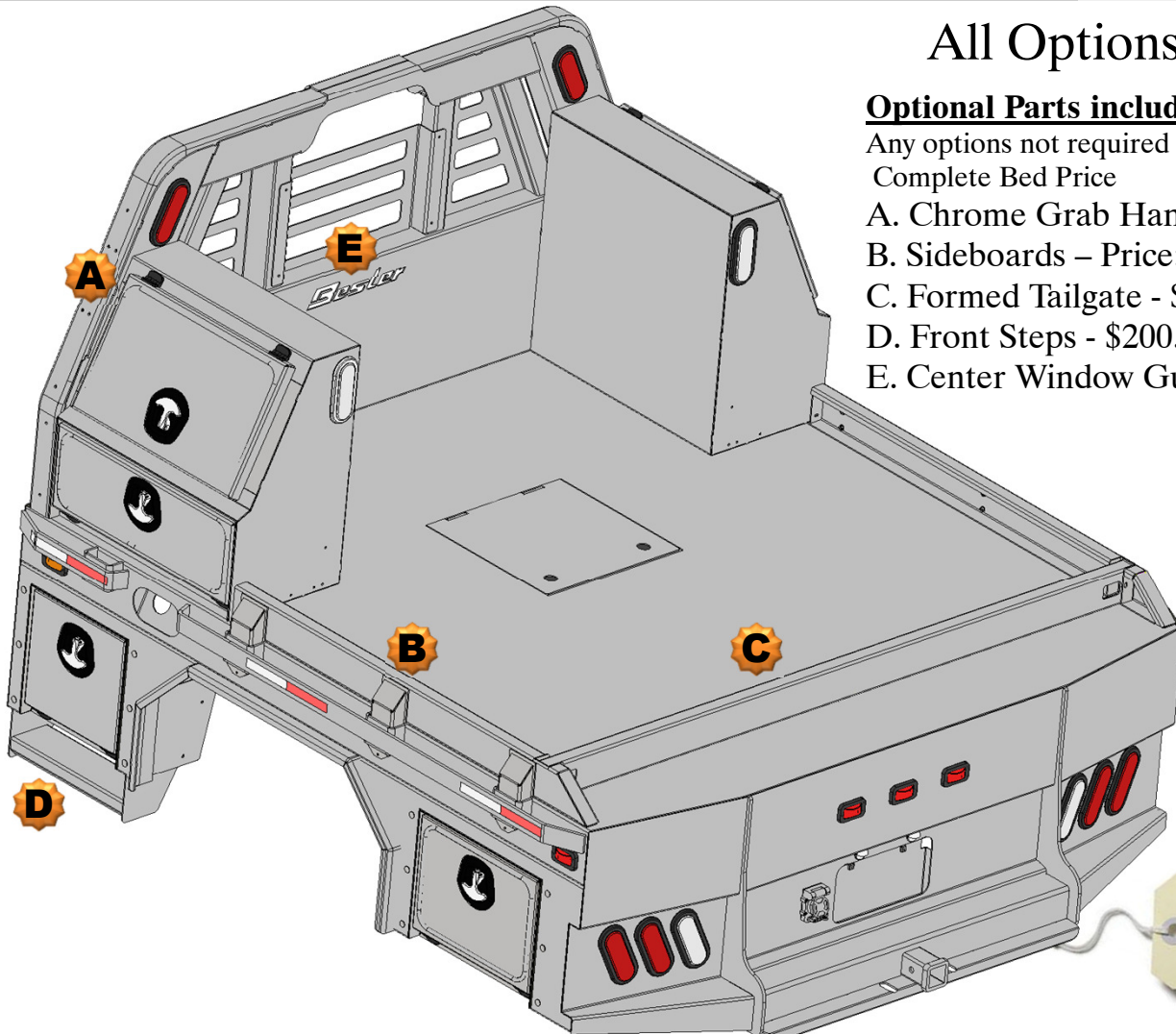
**\$10,355**

## All Options Bed

**Optional Parts included in price**

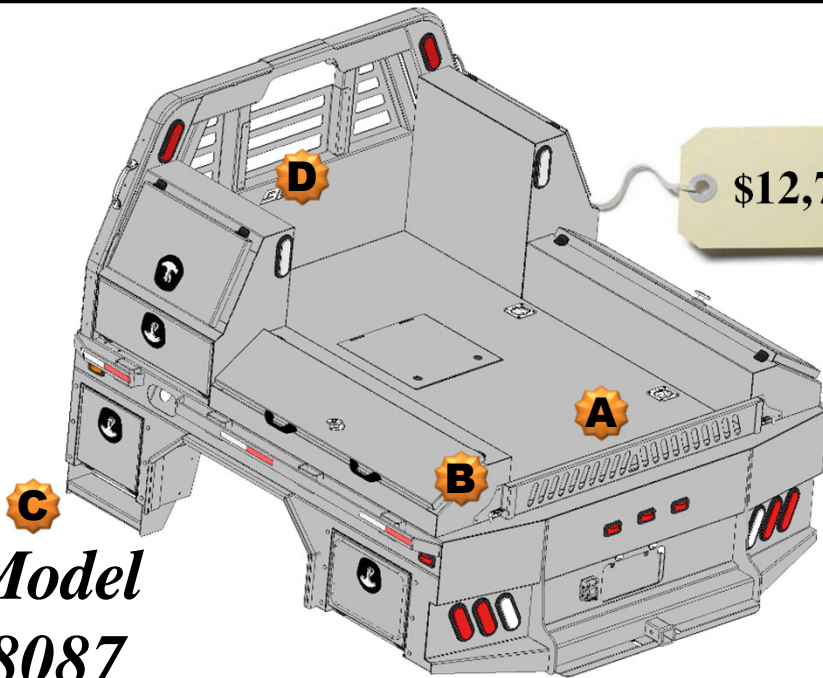
Any options not required subtract from Complete Bed Price

- A. Chrome Grab Handles – \$46.00 pair
- B. Sideboards – Price: \$650.00 – Pair
- C. Formed Tailgate - \$150.00
- D. Front Steps - \$200.00 pair
- E. Center Window Guard - \$100.00



**\$11,501**

**Model  
8087**



**\$12,735**

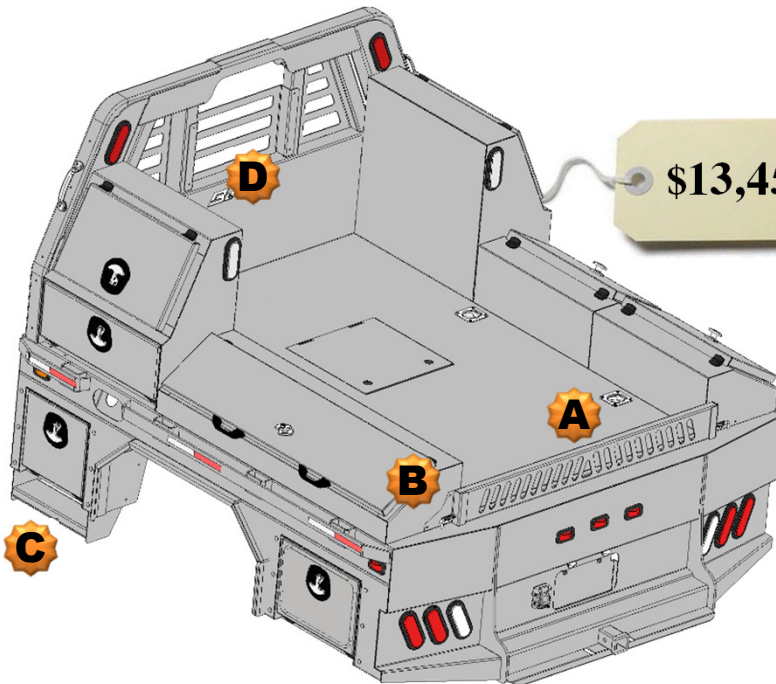
**All Options Bed**  
87 – 42 Skirted Flatbed  
w/Toolboxes  
**15” Deep**

**2 – 27” Front Mount Toolboxes**  
**2 – 52” Taper Toolboxes**

**Optional Parts included in price**

Any options not required subtract from Complete Bed Price.

- A. Formed Tailgate - \$150.00
- B. Tailgate Brackets - \$30.00 pair
- C. Front Steps - \$200.00 pair
- D. Center Window Guard



**\$13,455**

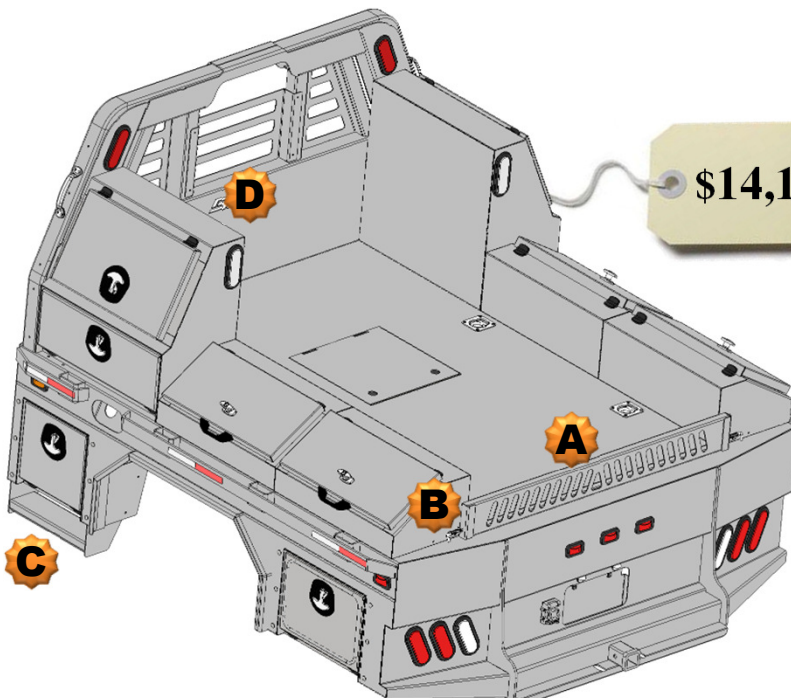
**All Options Bed**  
87 – 42 Skirted Flatbed  
w/Toolboxes  
**15” Deep**

**2 – 27” Front Mount Toolboxes**  
**1 – 52” Taper Toolbox**  
**2 – 26” Taper Toolbox**

**Optional Parts included in price**

Any options not required subtract from Complete Bed Price.

- A. Formed Tailgate - \$150.00
- B. Tailgate Brackets - \$30.00 pair
- C. Front Steps - \$200.00 pair
- D. Center Window Guard - \$100.00



**\$14,175**

**All Options Bed**  
87 – 42 Skirted Flatbed  
w/Toolboxes  
**15” Deep**

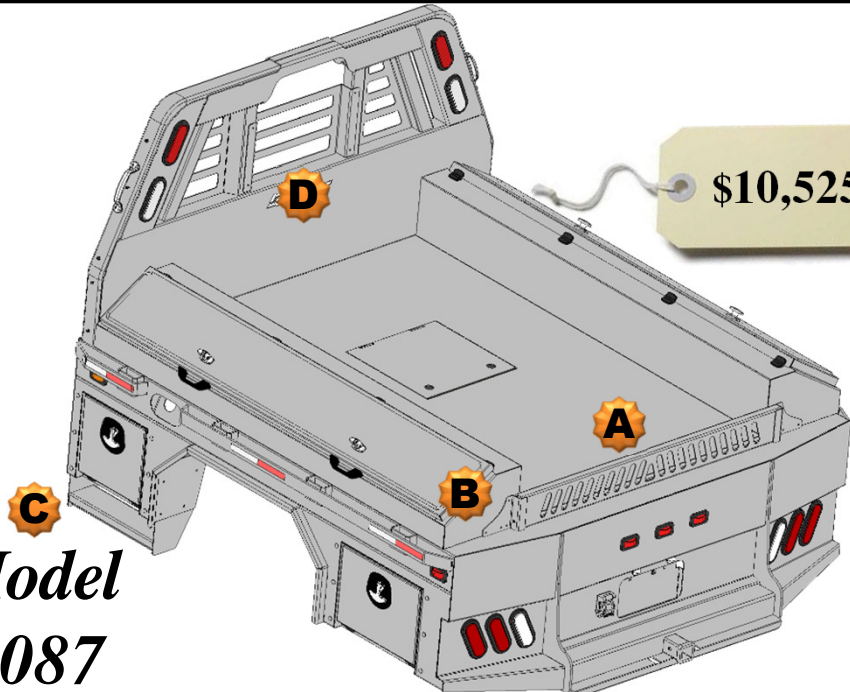
**2 – 27” Front Mount Toolboxes**  
**4 – 26” Taper Toolboxes**

**Optional Parts included in price**

Any options not required subtract from Complete Bed Price.

- A. Formed Tailgate - \$150.00
- B. Tailgate Brackets - \$30.00 pair
- C. Front Steps - \$200.00 pair
- D. Center Window Guard - \$100.00

**Model  
8087**



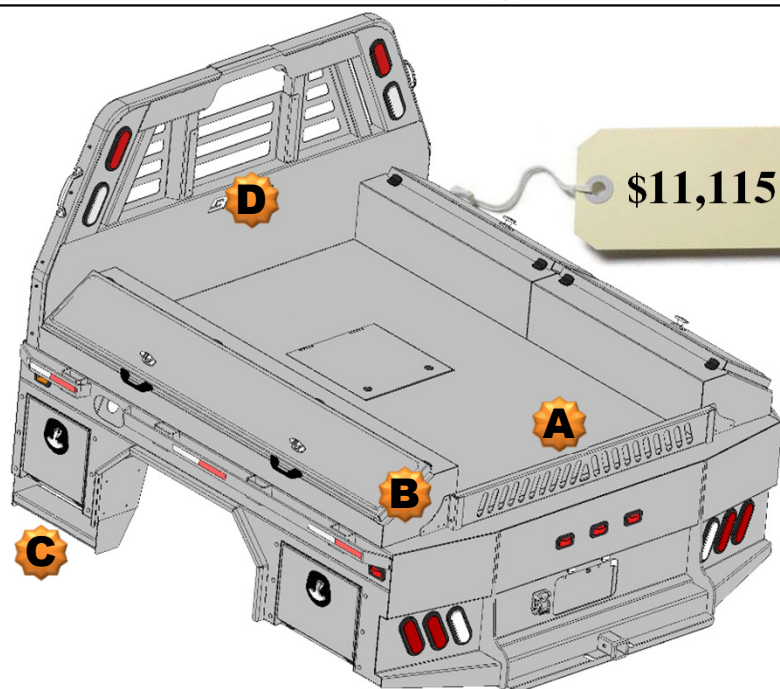
**\$10,525**

**All Options Bed**  
87 – 42 Skirted Flatbed  
w/Toolboxes  
**15” Deep**  
2 – 78” Taper Toolboxes

**Optional Parts included in price**

Any options not required subtract from Complete Bed Price.

- A. Formed Tailgate - \$150.00
- B. Tailgate Brackets - \$30.00 pair
- C. Front Steps - \$200.00 pair
- D. Center Window Guard



**\$11,115**

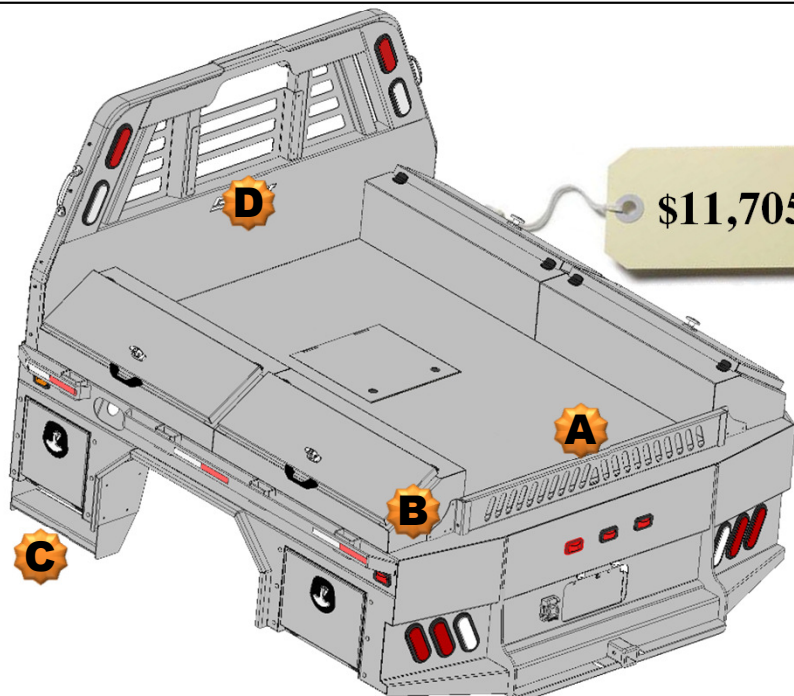
**All Options Bed**  
87 – 42 Skirted Flatbed  
w/Toolboxes  
**15” Deep**

1 – 78” Taper Toolbox  
2 – 39” Taper Toolbox

**Optional Parts included in price**

Any options not required subtract from Complete Bed Price.

- A. Formed Tailgate - \$150.00
- B. Tailgate Brackets - \$30.00 pair
- C. Front Steps - \$200.00 pair
- D. Center Window Guard - \$100.00



**\$11,705**

**All Options Bed**  
87 – 42 Skirted Flatbed  
w/Toolboxes  
**15” Deep**

4 – 39” Taper Toolboxes

**Optional Parts included in price**

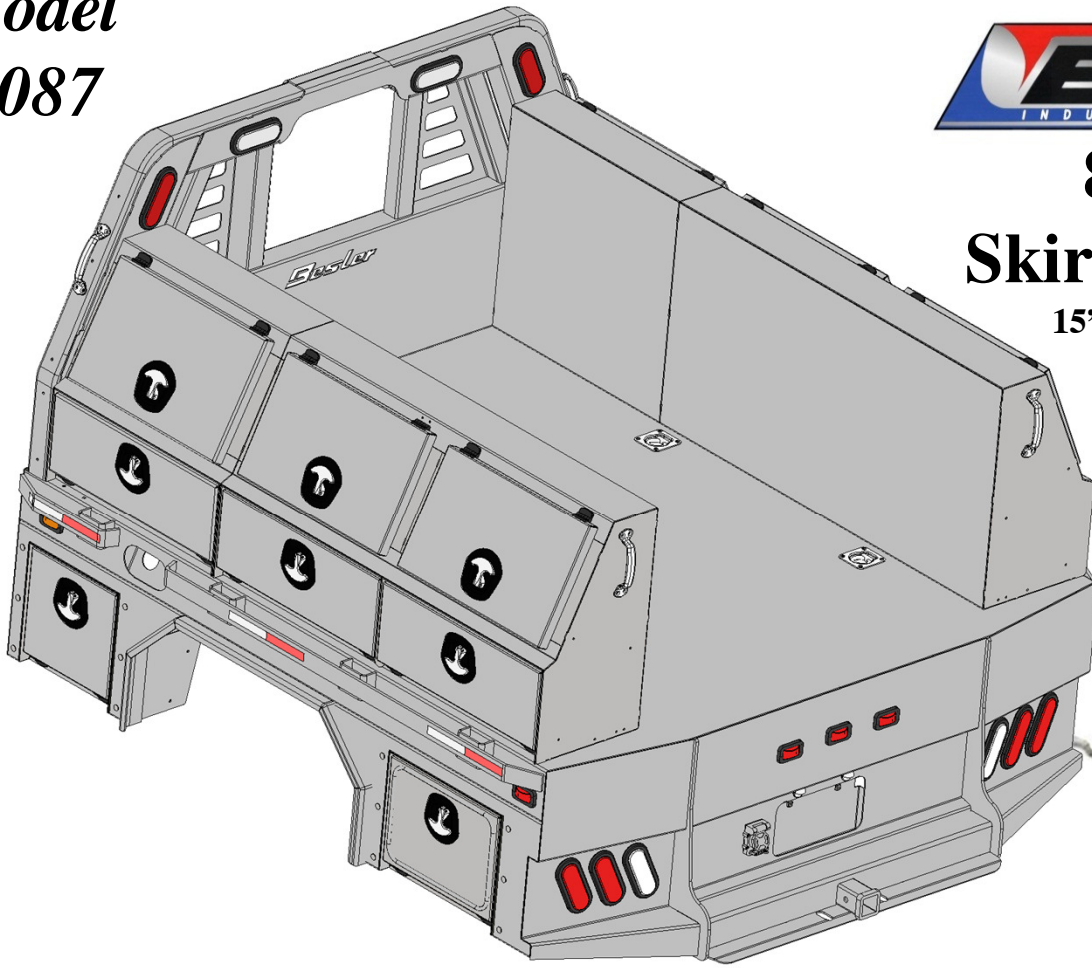
Any options not required subtract from Complete Bed Price.

- A. Formed Tailgate - \$150.00
- B. Tailgate Brackets - \$30.00 pair
- C. Front Steps - \$200.00 pair
- D. Center Window Guard - \$100.00

**Model**  
**8087**



**87" - 42**  
**Skirted Flatbed**  
15" Contractor Box



Base Price

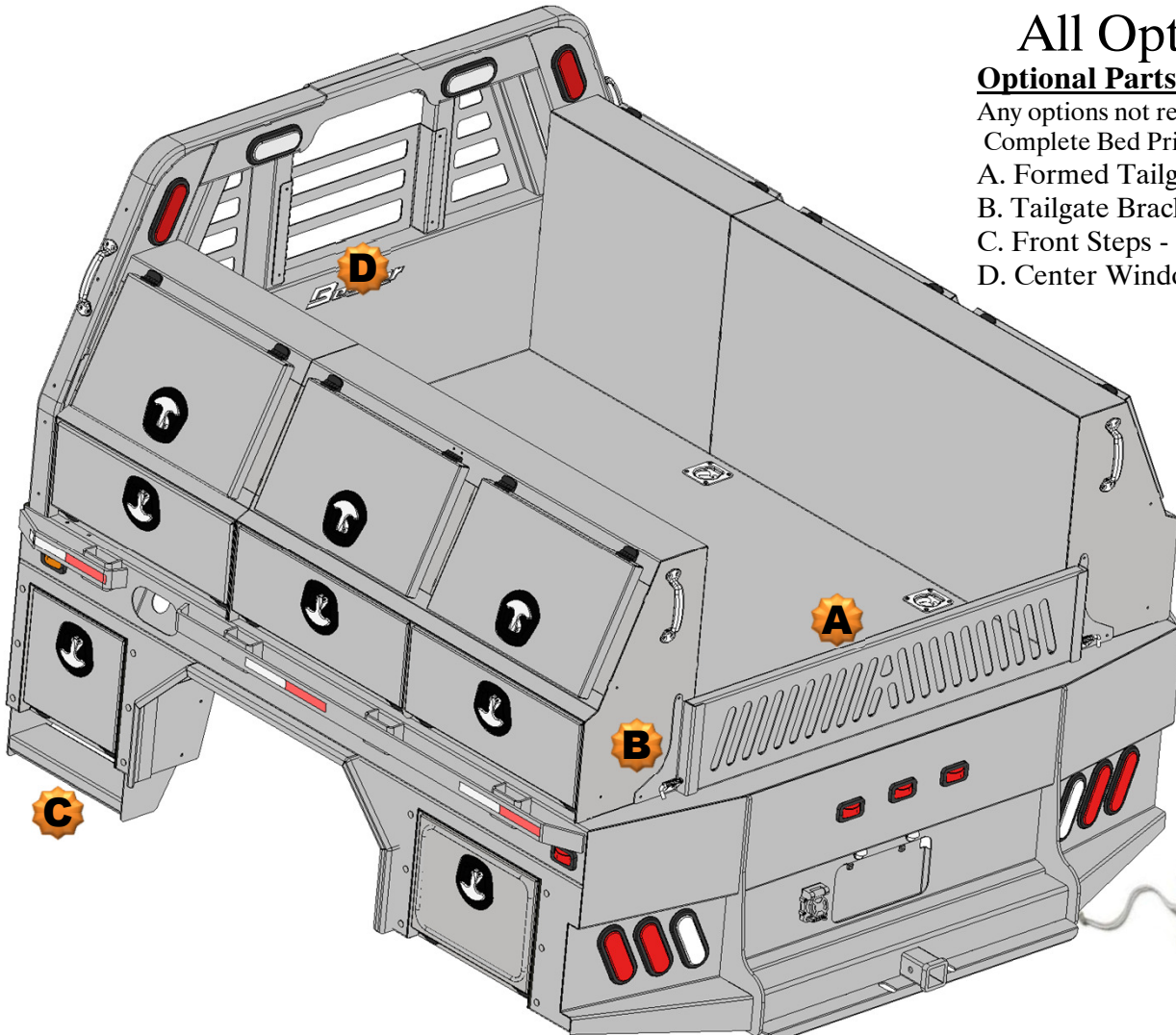
**\$16,335**

**All Options Bed**

**Optional Parts included in price**

Any options not required subtract from Complete Bed Price.

- A. Formed Tailgate - \$150.00
- B. Tailgate Brackets - \$30.00 pair
- C. Front Steps - \$200.00 pair
- D. Center Window Guard - \$100.00



**\$16,815**

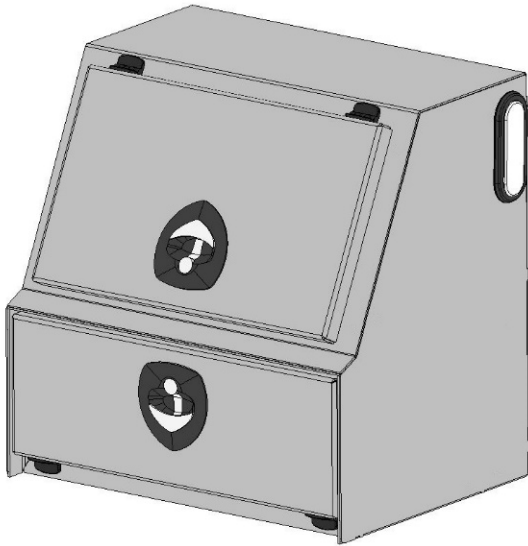




# 87" Flatbed

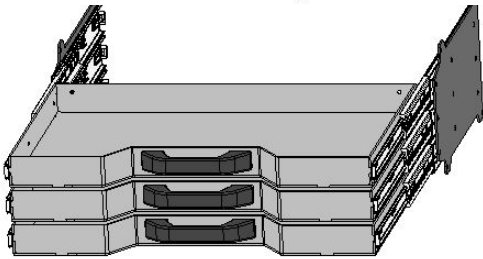
## Price and configurations

### With 20" Deep Tool boxes

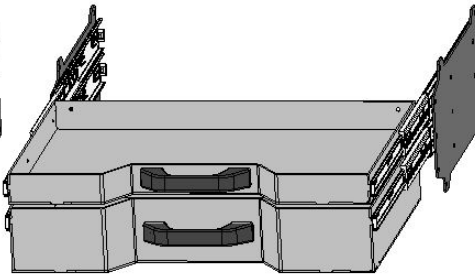


#### Front Mount Tool box

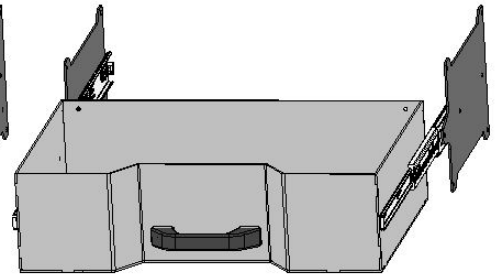
- 27" x 20" Deep
- Drawers Available 1, 2 or 3 drawers
- Drawer kits can be added later
- Can be ordered with or without Backup light.
- Gas Shocks on Top door
- Screwdriver holders on shelf
- Wrench rack on the top back panel



3 drawers 1-3/4" deep



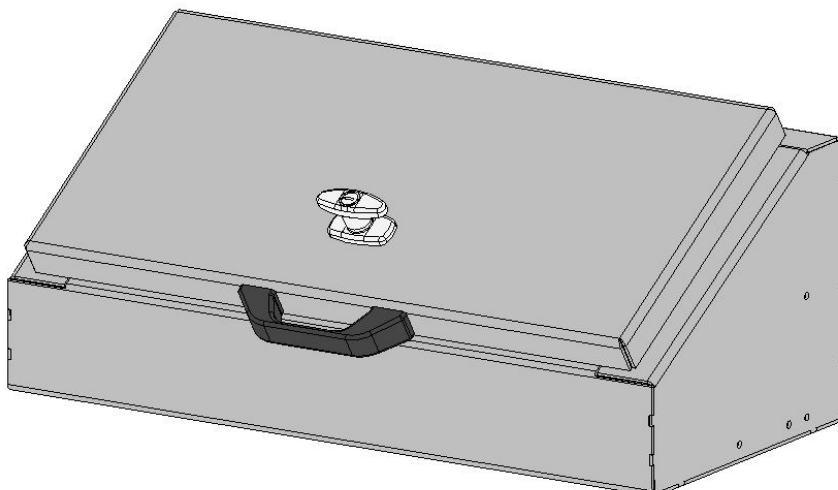
1 drawer 1-3/4" deep  
1 drawer 3-7/8" deep



1 drawer 6" deep

**CAUTION**

The front mount tool box is 27" tall. On an 87" bed there may be a clearance issue if you plan on pulling a gooseneck trailer. Depending on the style of gooseneck.



#### Top Taper Tool boxes

##### Available lengths

- 26"
- 34"
- 39"
- 46"
- 52"
- 68"
- 78"

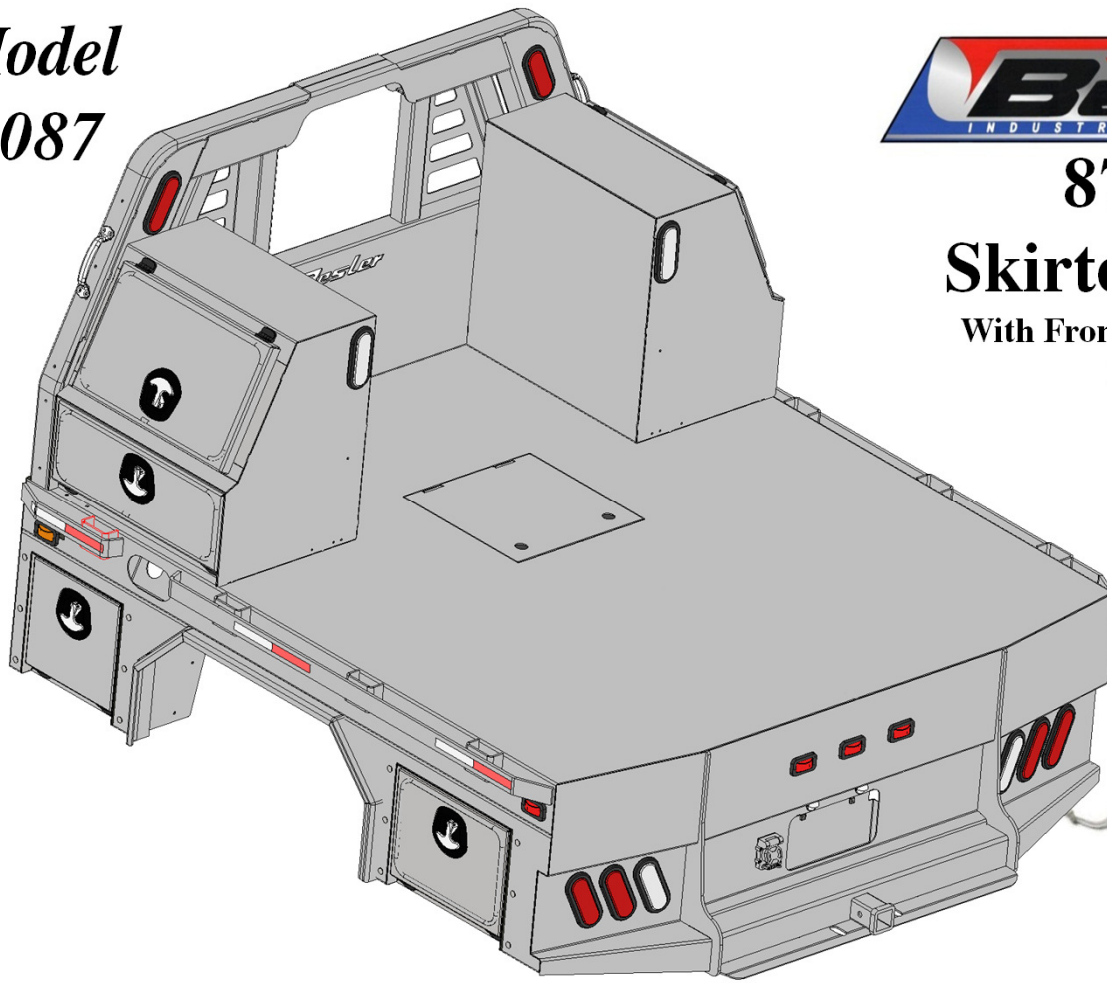
**Model  
8087**



**87" - 42**

## Skirted Flatbed

With Front Mount Toolboxes  
20" Deep



Base Price

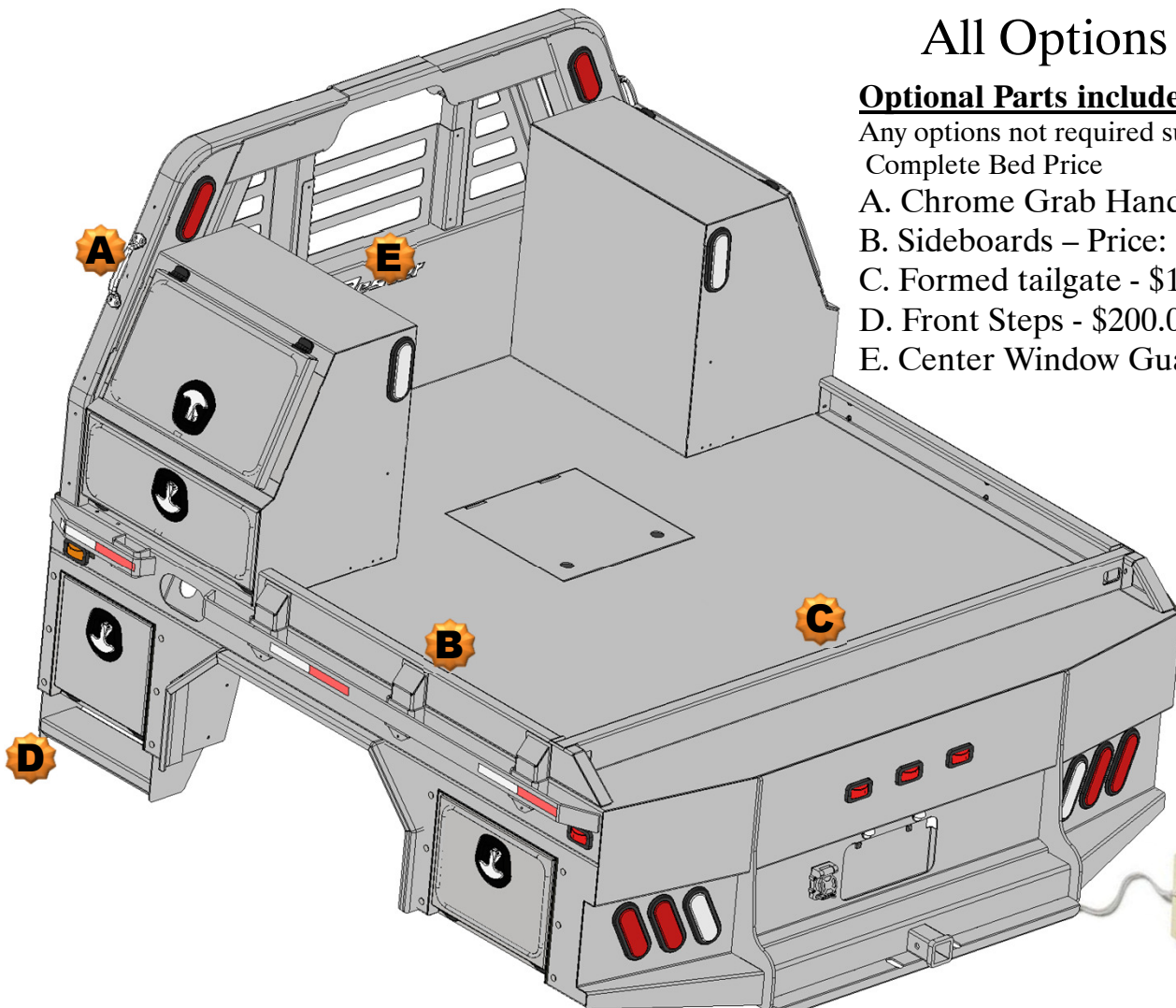
**\$10,865**

## All Options Bed

### Optional Parts included in price

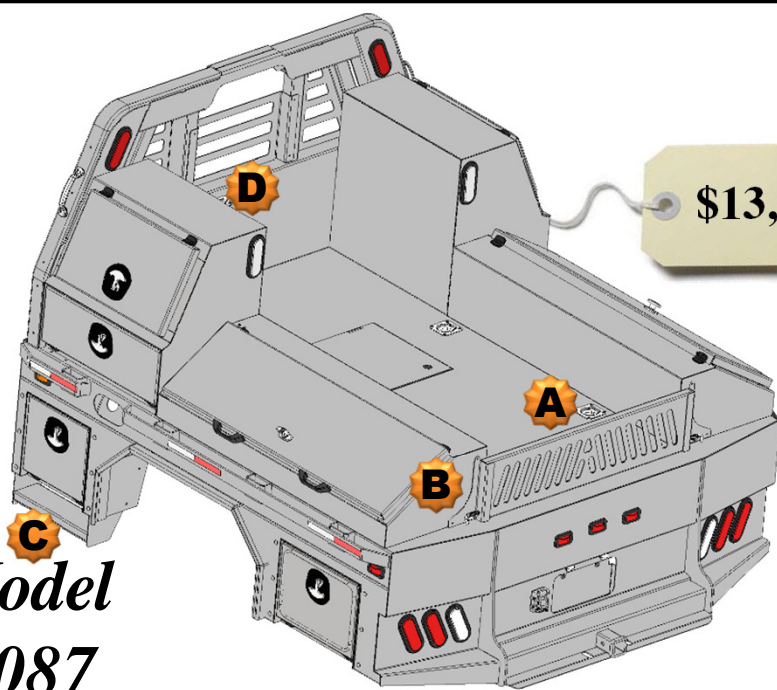
Any options not required subtract from Complete Bed Price

- A. Chrome Grab Handles - \$46.00 pair
- B. Sideboards - Price: \$650.00 - Pair
- C. Formed tailgate - \$150.00
- D. Front Steps - \$200.00
- E. Center Window Guard - \$100.00



**\$12,011**

**Model  
8087**



**\$13,665**

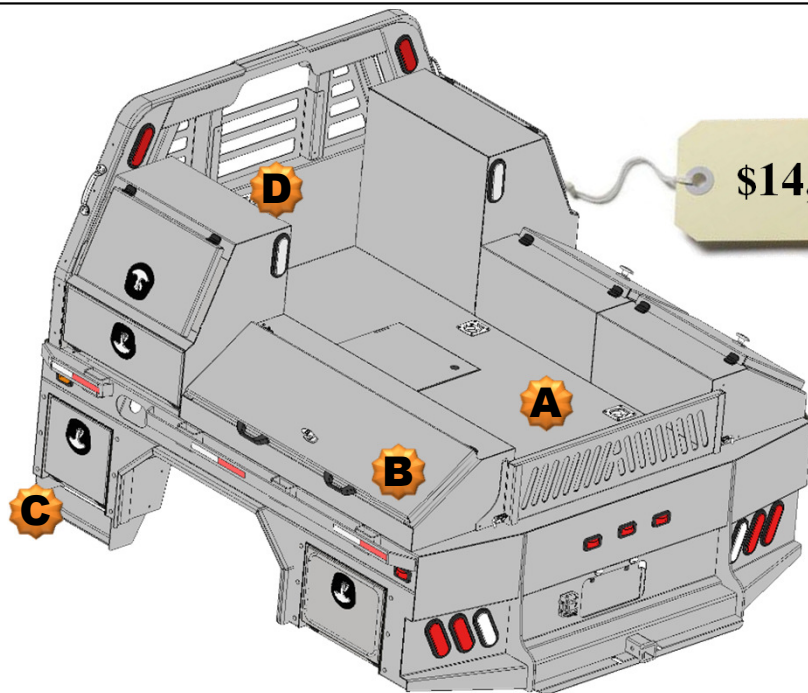
**All Options Bed**  
87 – 42 Skirted Flatbed  
w/Toolboxes  
**20” Deep**

**2 – 27” Front Mount Toolboxes**  
**2 – 52” Taper Toolboxes**

**Optional Parts included in price**

Any options not required subtract from Complete Bed Price.

- A. Formed Tailgate - \$150.00
- B. Tailgate Brackets - \$30.00 pair
- C. Front Steps - \$200.00 pair
- D. Center Window Guard - \$100.00



**\$14,595**

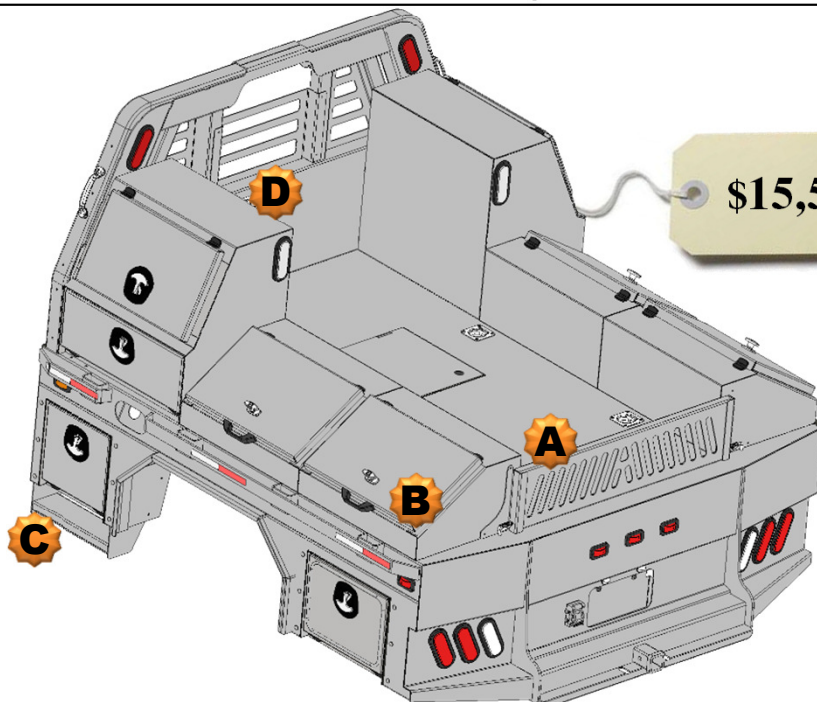
**All Options Bed**  
87 – 42 Skirted Flatbed  
w/Toolboxes  
**20” Deep**

**2 – 27” Front Mount Toolboxes**  
**1 – 52” Taper Toolbox**  
**2 – 26” Taper Toolbox**

**Optional Parts included in price**

Any options not required subtract from Complete Bed Price.

- A. Formed Tailgate - \$150.00
- B. Tailgate Brackets - \$30.00 pair
- C. Front Steps - \$200.00 pair
- D. Center Window Guard - \$100.00



**\$15,525**

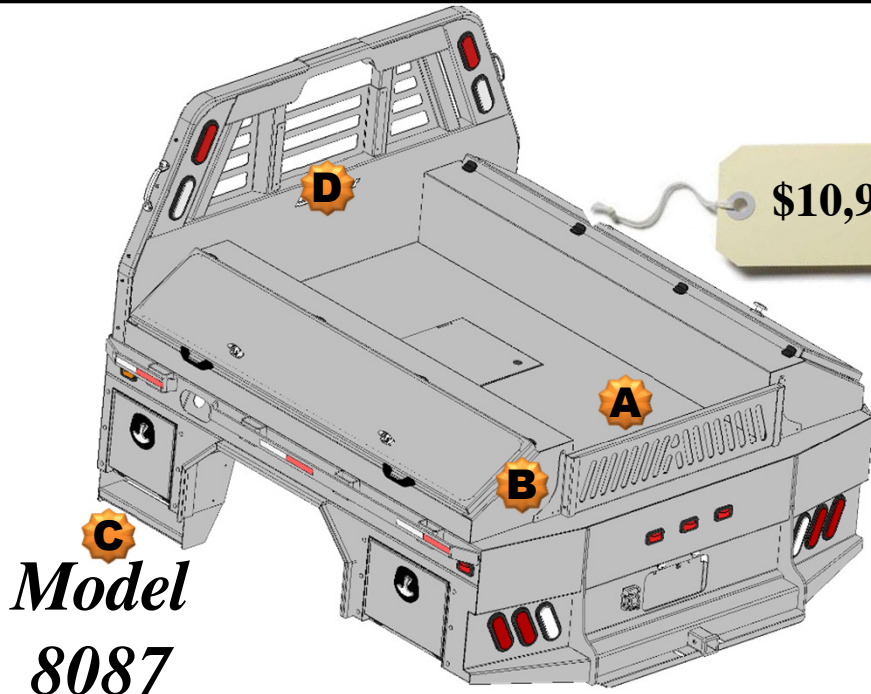
**All Options Bed**  
87 – 42 Skirted Flatbed  
w/Toolboxes  
**20” Deep**

**2 – 27” Front Mount Toolboxes**  
**4 – 26” Taper Toolboxes**

**Optional Parts included in price**

Any options not required subtract from Complete Bed Price.

- A. Formed Tailgate - \$150.00
- B. Tailgate Brackets - \$30.00 pair
- C. Front Steps - \$200.00 pair
- D. Center Window Guard - \$100.00



**Model  
8087**

**\$10,935**

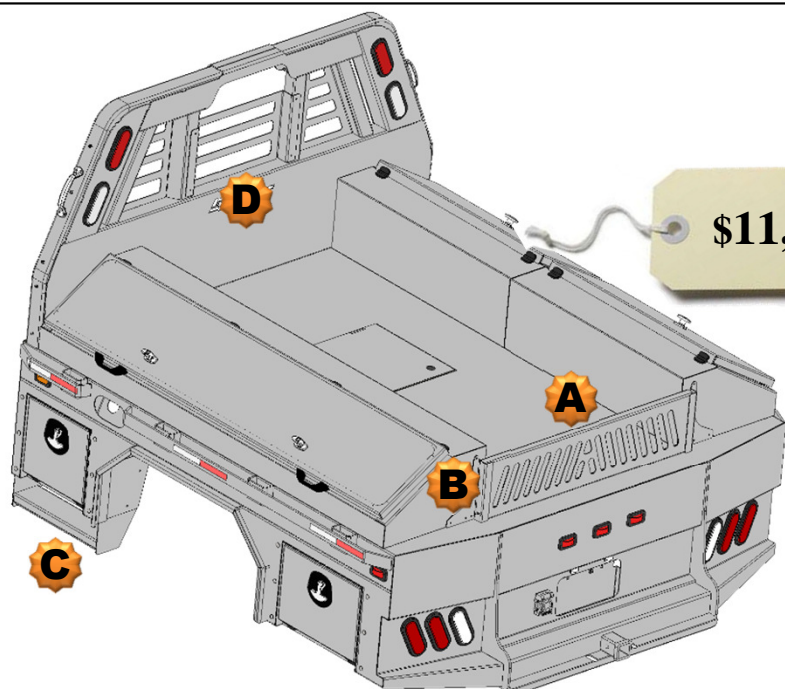
**All Options Bed**  
87 – 42 Skirted Flatbed  
w/Toolboxes  
**20” Deep**

**2 – 78” Taper Toolboxes**

**Optional Parts included in price**

Any options not required subtract from Complete Bed Price.

- A. Formed Tailgate - \$150.00
- B. Tailgate Brackets - \$30.00 pair
- C. Front Steps - \$200.00 pair
- D. Center Window Guard - \$100.00



**\$11,740**

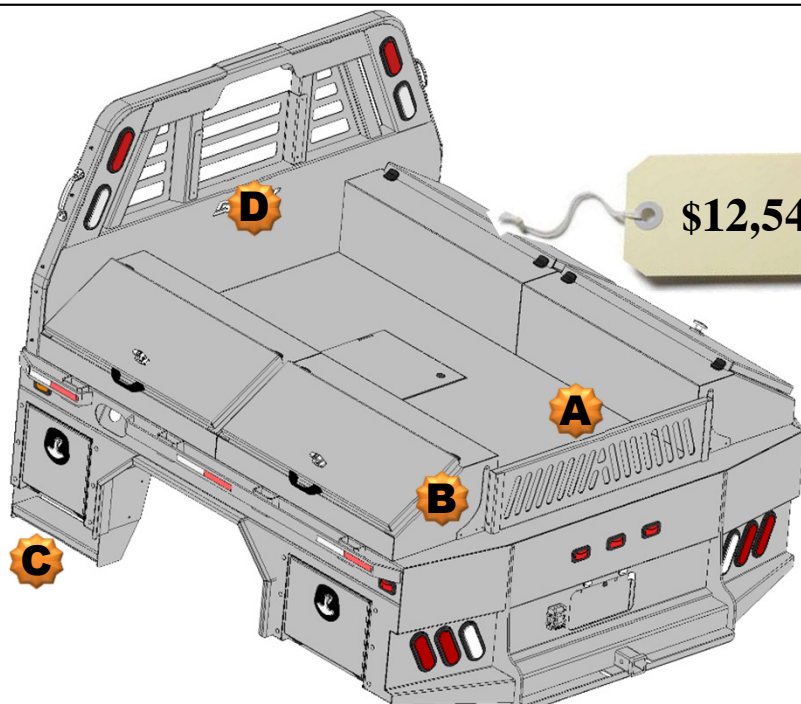
**All Options Bed**  
87 – 42 Skirted Flatbed  
w/Toolboxes  
**20” Deep**

**1 – 78” Taper Toolbox**  
**2 – 39” Taper Toolbox**

**Optional Parts included in price**

Any options not required subtract from Complete Bed Price.

- A. Formed Tailgate - \$150.00
- B. Tailgate Brackets - \$30.00 pair
- C. Front Steps - \$200.00 pair
- D. Center Window Guard - \$100.00



**\$12,545**

**All Options Bed**  
87 – 42 Skirted Flatbed  
w/Toolboxes  
**20” Deep**

**4 – 39” Taper Toolboxes**

**Optional Parts included in price**

Any options not required subtract from Complete Bed Price.

- A. Formed Tailgate - \$150.00
- B. Tailgate Brackets - \$30.00 pair
- C. Front Steps - \$200.00 pair
- D. Center Window Guard - \$100.00

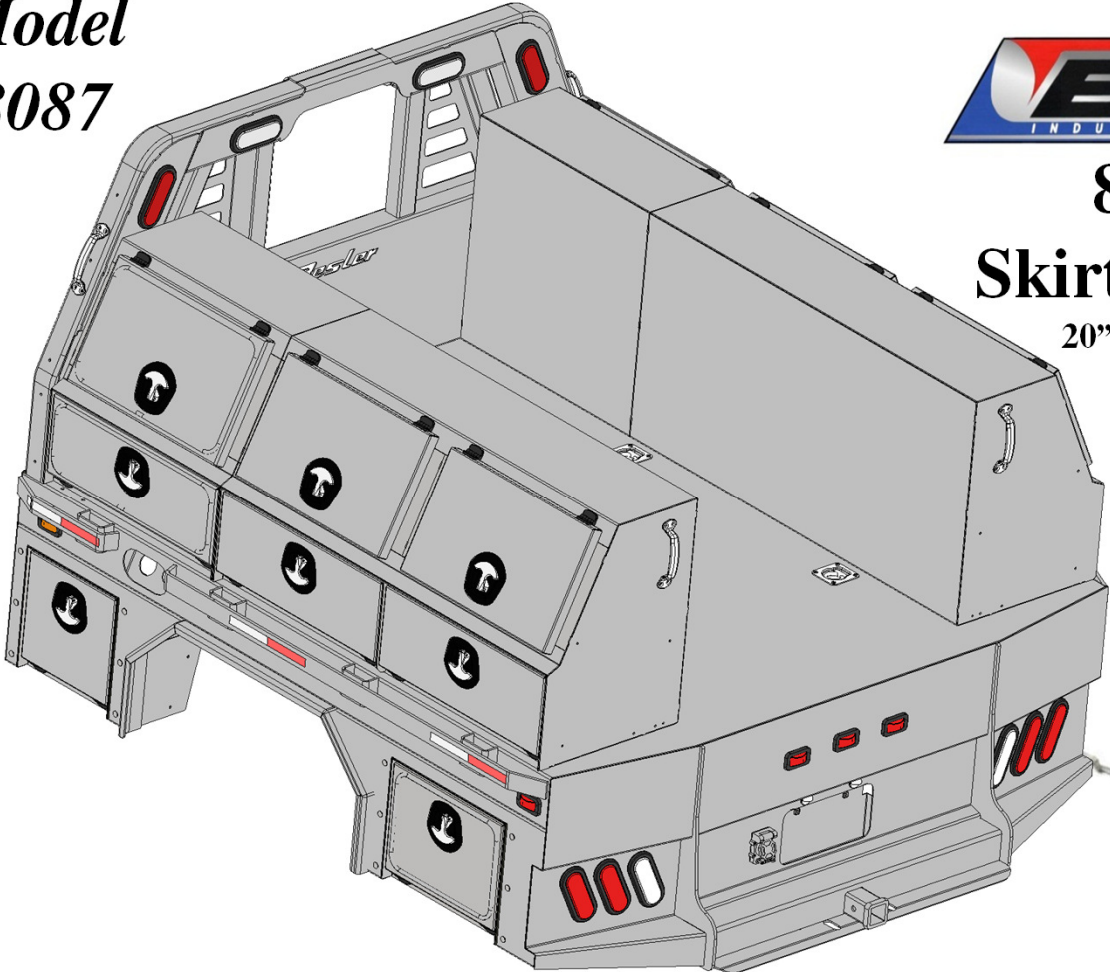
**Model  
8087**



**87" - 42**

**Skirted Flatbed**

**20" Contractor Box**



Base Price

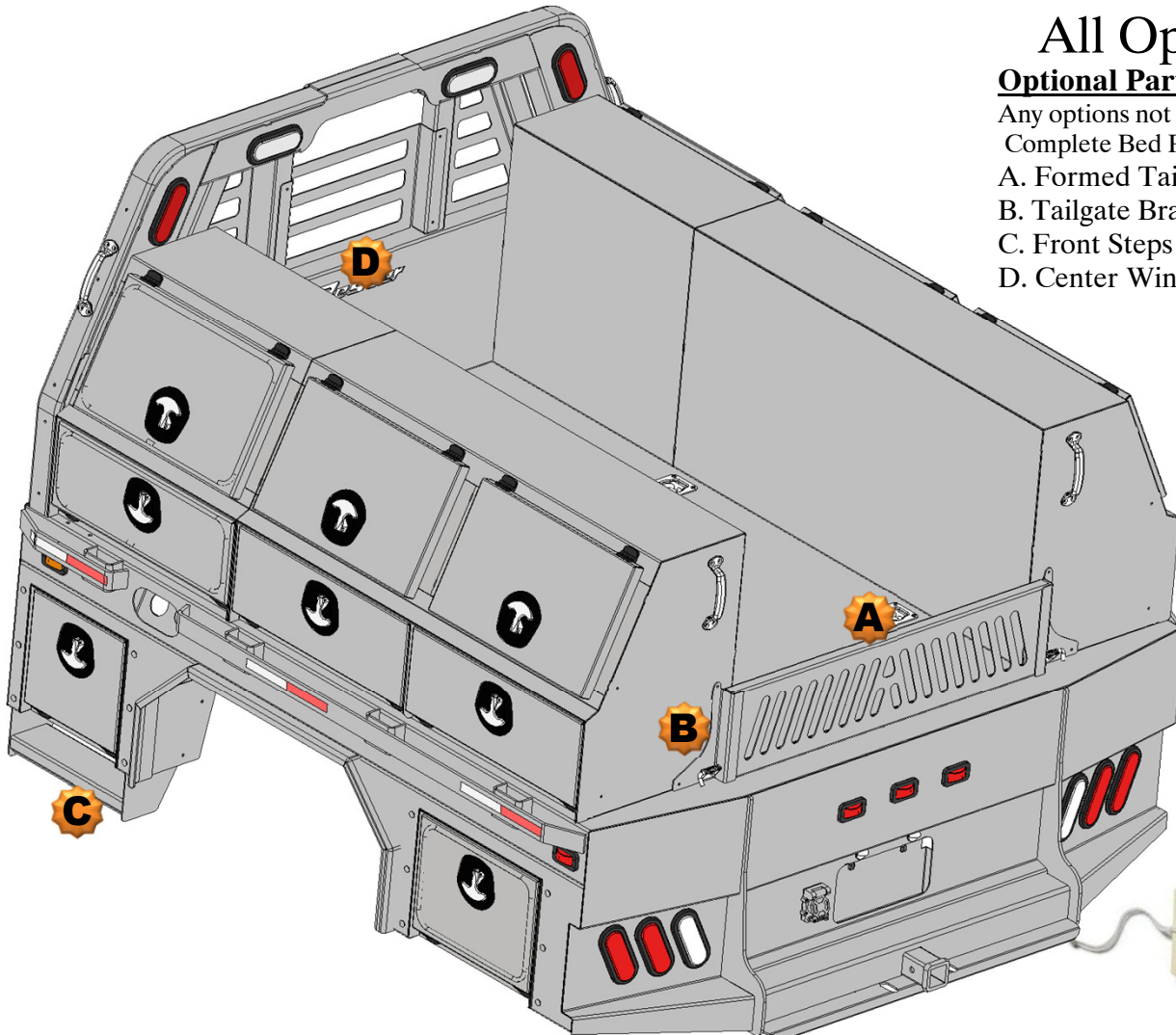
**\$17,645**

**All Options Bed**

**Optional Parts included in price**

Any options not required subtract from Complete Bed Price.

- A. Formed Tailgate - \$150.00
- B. Tailgate Brackets - \$30.00 pair
- C. Front Steps - \$200.00 pair
- D. Center Window Guard - \$100.00



**\$18,125**