



8087 - 40 Cab to Axle

Skirted Bed

Options & Price Guide



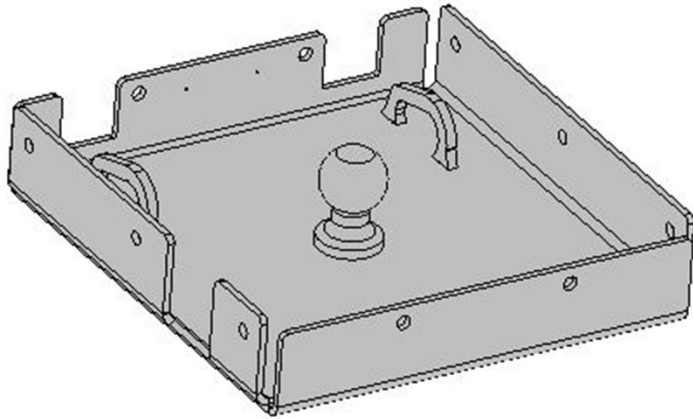


Fifth Wheel Options

Standard Recessed Ball

30,000 lbs 5th wheel ball included

\$200.00 Retail Price

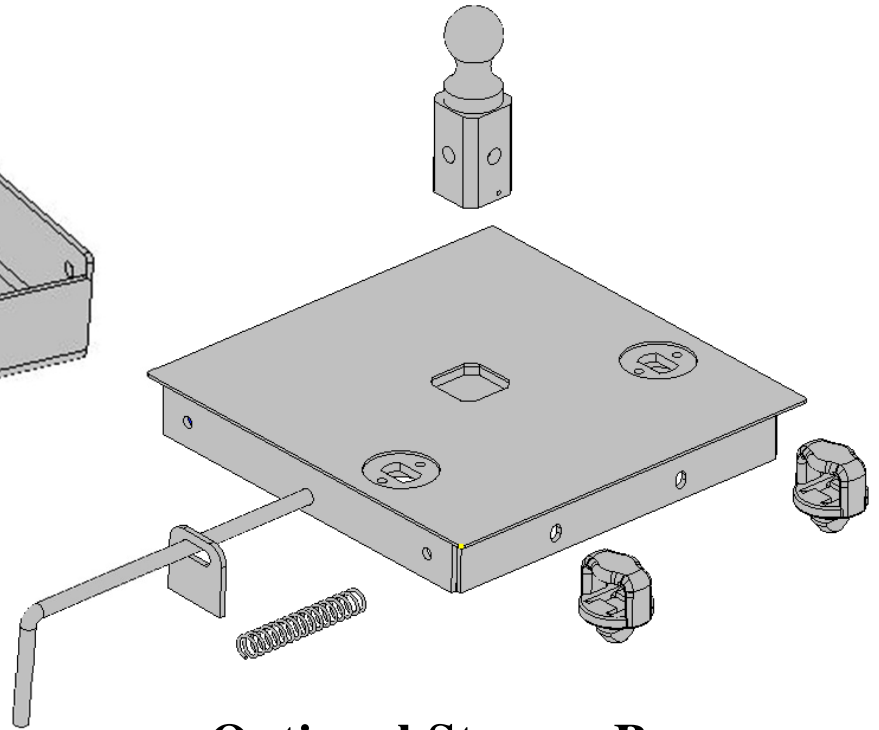


Optional Flush Mount

Flip Over Ball

Upgrade from standard

5th wheel - \$450.00

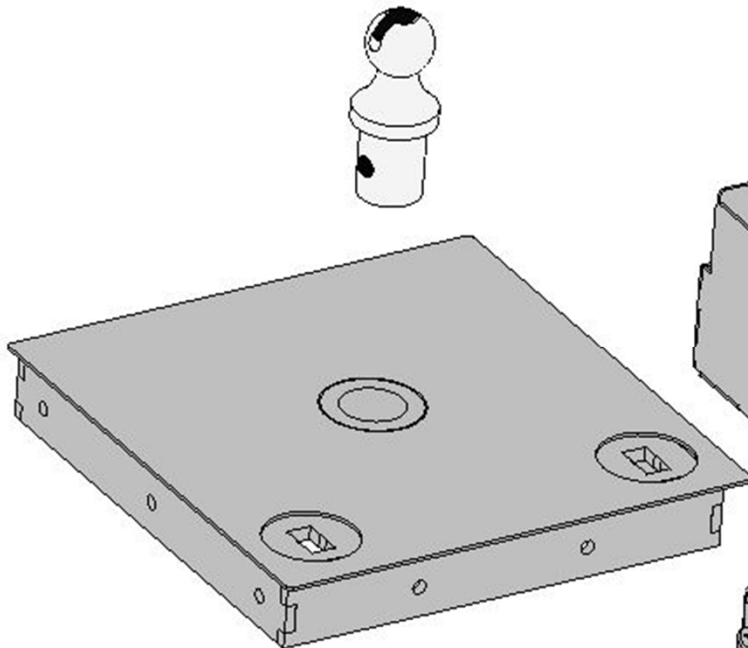


Optional Flush Mount For Drop In Ball

Upgrade from standard

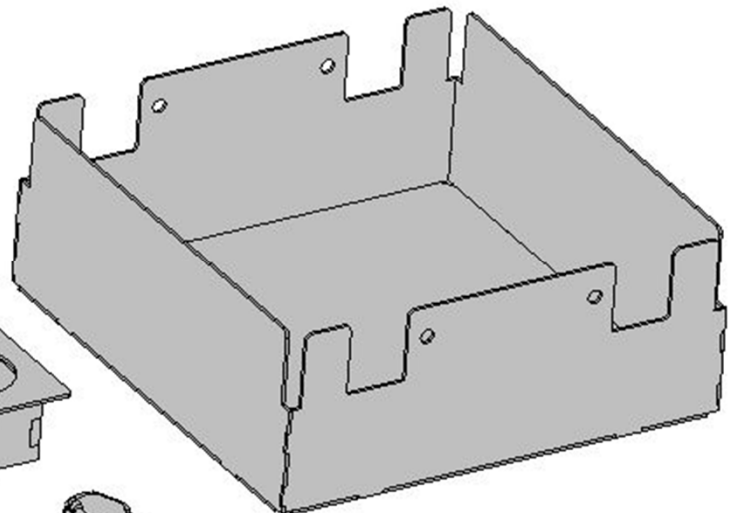
5th wheel - \$400.00

Ball and Puck \$300.00 Net



Optional Storage Box

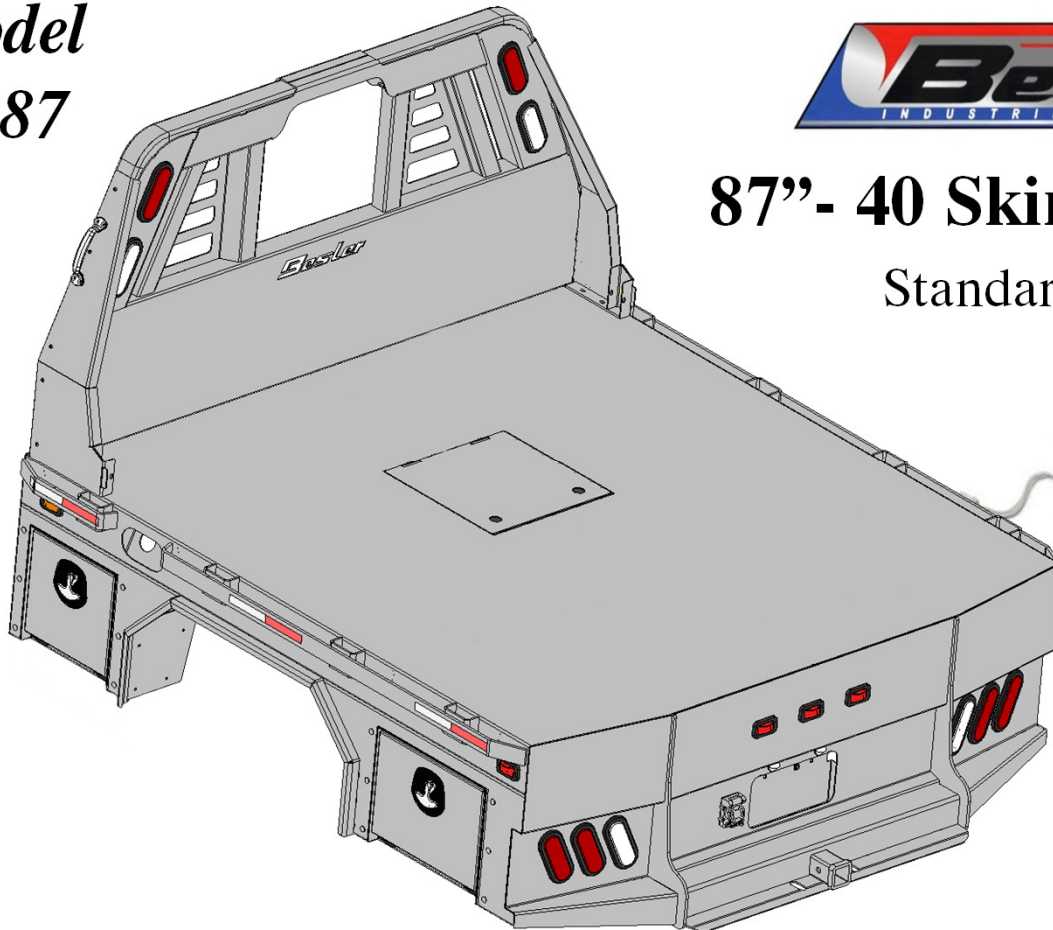
\$190.00 Retail Price



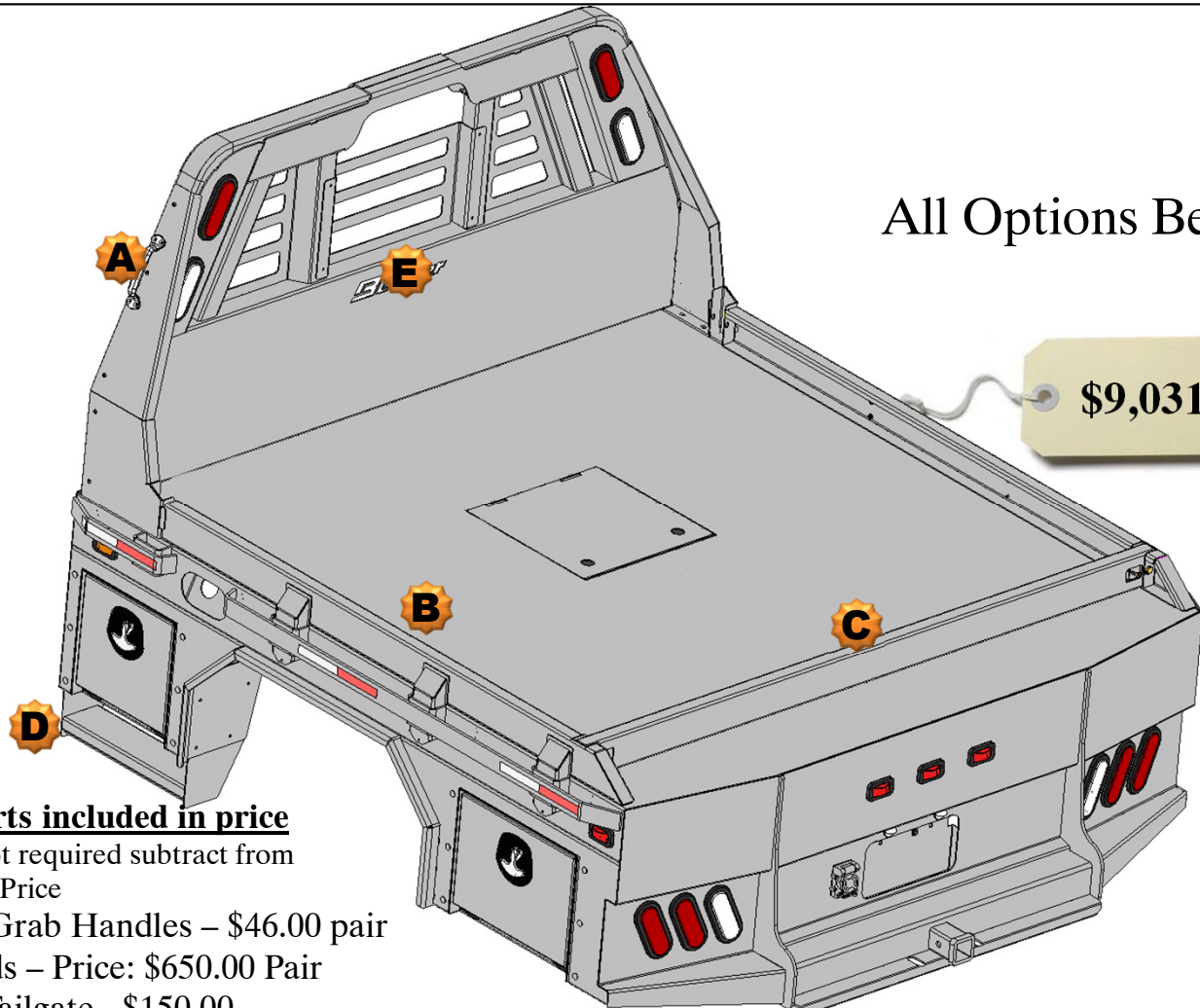
Model
8087



87"- 40 Skirted Flatbed
Standard Bed



\$7,885



All Options Bed

\$9,031

Optional Parts included in price

Any options not required subtract from Complete Bed Price

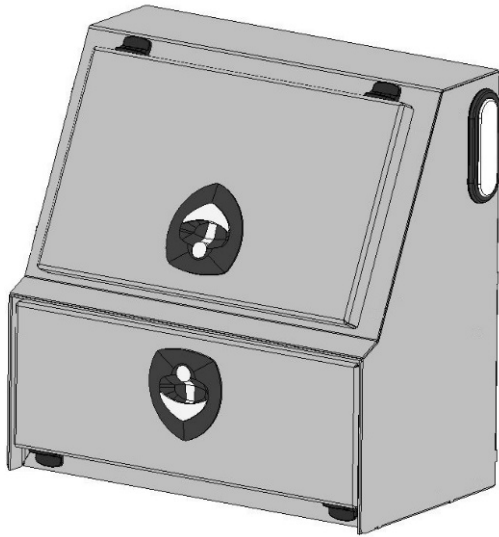
- A. Chrome Grab Handles – \$46.00 pair
- B. Sideboards – Price: \$650.00 Pair
- C. Formed Tailgate - \$150.00
- D. Front Steps - \$200.00 Pair
- E. Center Window Guard - \$100.00



87" Flatbed

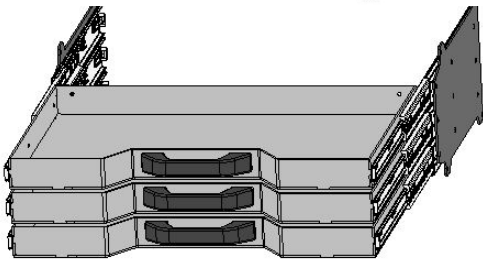
Price and configurations

With 15" Deep Tool boxes

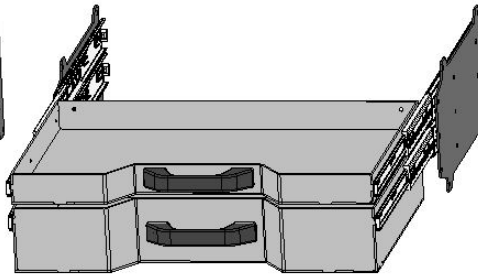


Front Mount Tool box

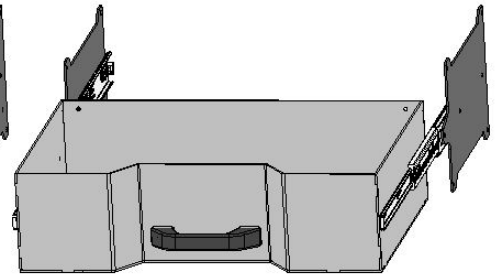
- 27" x 15" Deep
- Drawers Available 1, 2 or 3 drawers
- Drawer kits can be added later
- Can be ordered with or without Backup light.
- Gas Shocks on Top door
- Screwdriver holders on shelf
- Wrench rack on the top back panel



3 drawers 1-3/4" deep



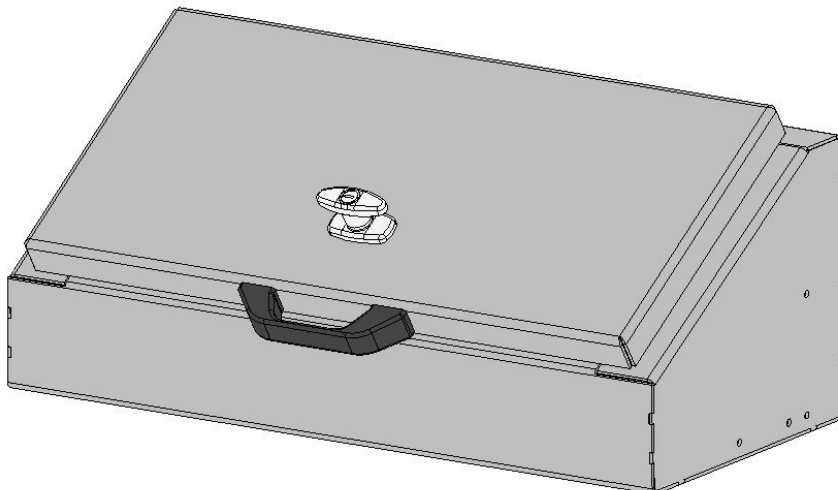
1 drawer 1-3/4" deep
1 drawer 3-7/8" deep



1 drawer 6" deep

CAUTION

The front mount tool box is 27" tall. On an 87" bed there may be a clearance issue if you plan on pulling a gooseneck trailer. Depending on the style of gooseneck.



Top Taper Tool boxes

Available lengths

- 26"
- 34"
- 39"
- 46"
- 52"
- 68"
- 78"

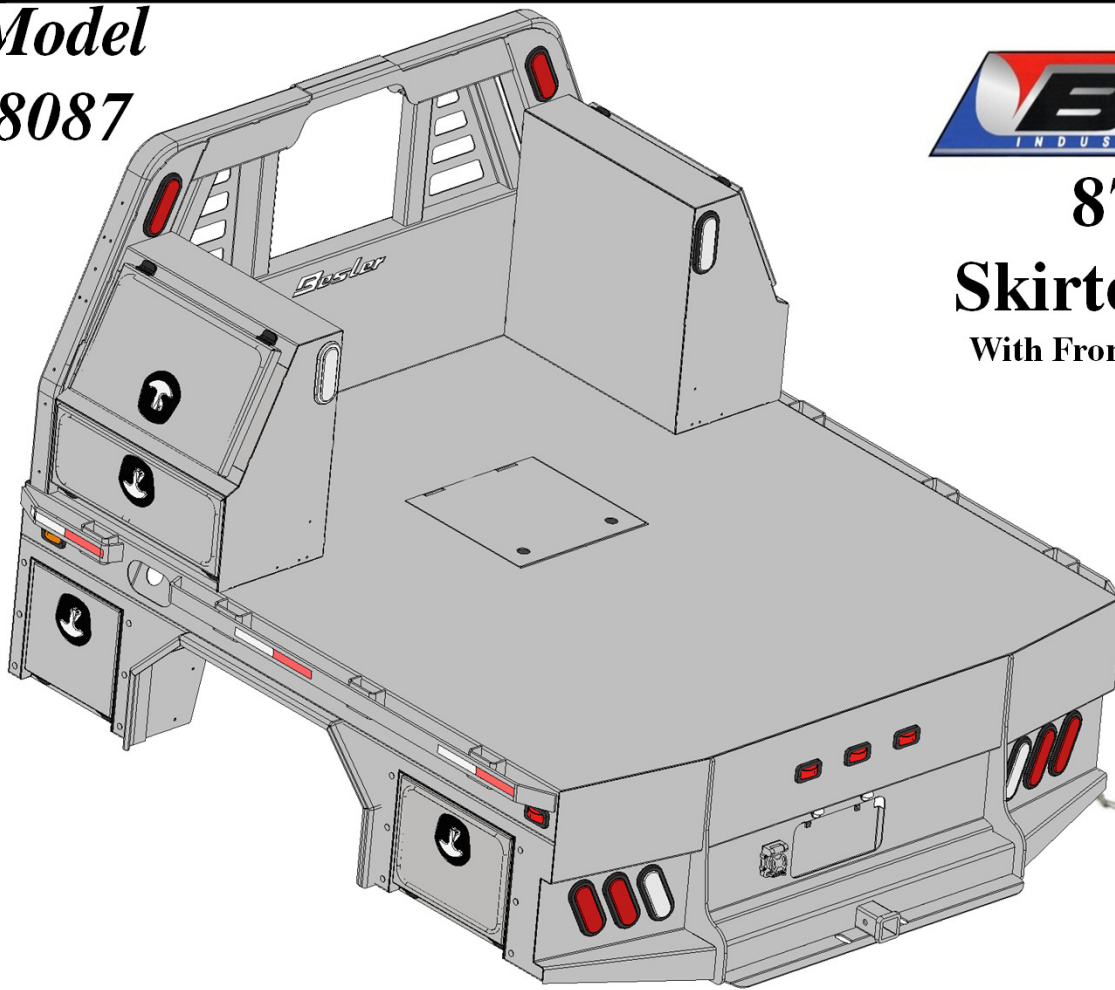
Model
8087



87" - 40

Skirted Flatbed

With Front Mount Toolboxes
15" deep



Base Price

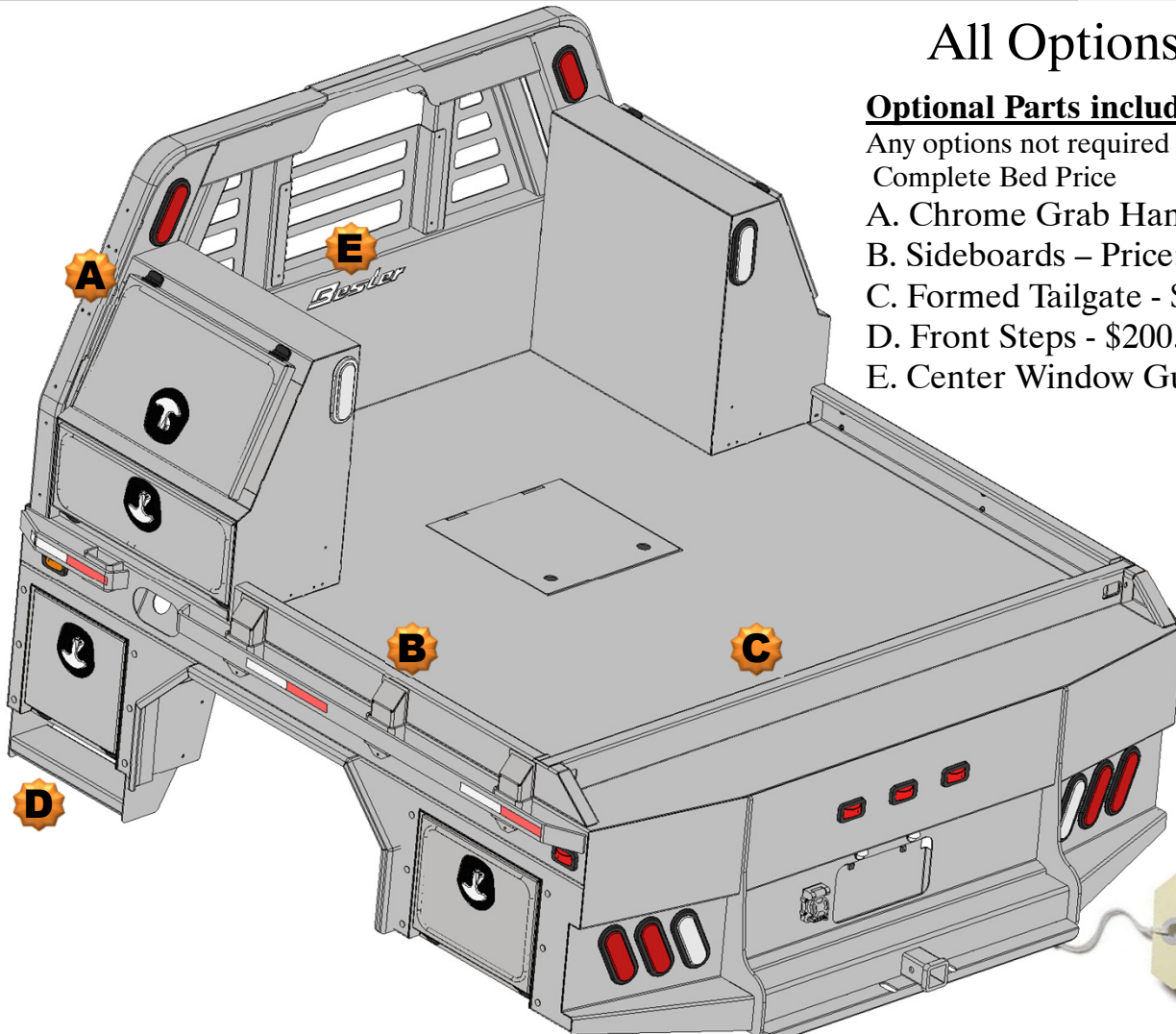
\$10,355

All Options Bed

Optional Parts included in price

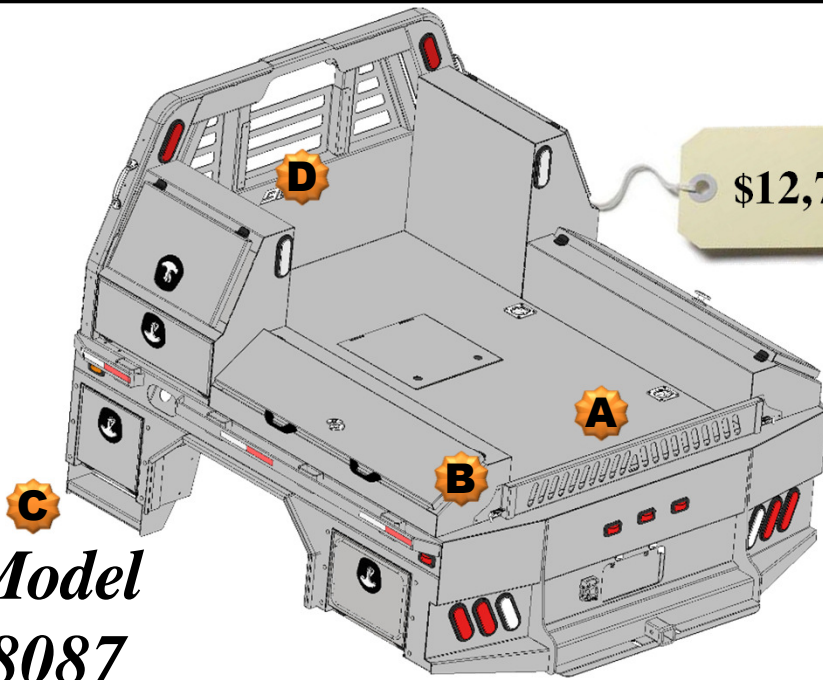
Any options not required subtract from Complete Bed Price

- A. Chrome Grab Handles – \$46.00 pair
- B. Sideboards – Price: \$650.00 – Pair
- C. Formed Tailgate - \$150.00
- D. Front Steps - \$200.00 pair
- E. Center Window Guard - \$100.00



\$11,501

**Model
8087**



\$12,735

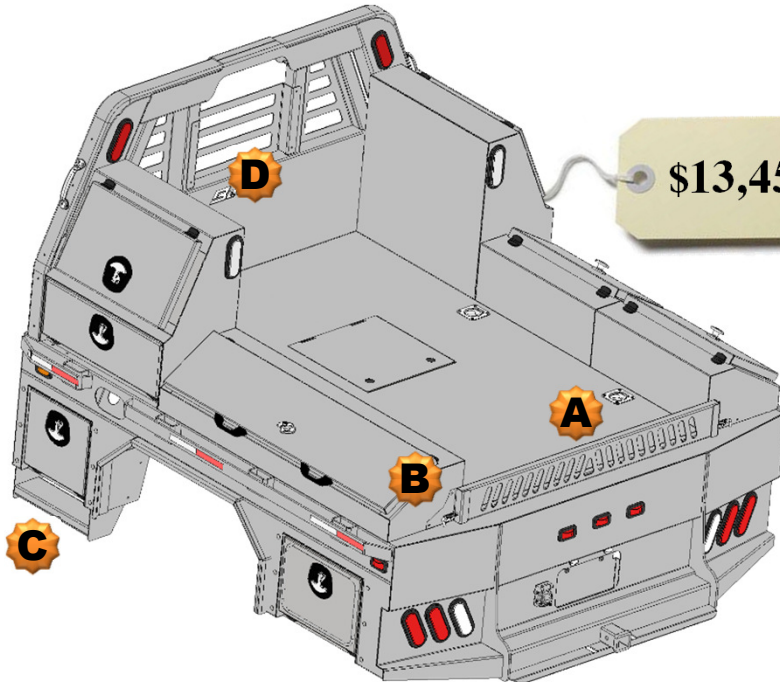
All Options Bed
87 – 40 Skirted Flatbed
w/Toolboxes
15” Deep

2 – 27” Front Mount Toolboxes
2 – 52” Taper Toolboxes

Optional Parts included in price

Any options not required subtract from Complete Bed Price.

- A. Formed Tailgate - \$150.00
- B. Tailgate Brackets - \$30.00 pair
- C. Front Steps - \$200.00 pair
- D. Center Window Guard



\$13,455

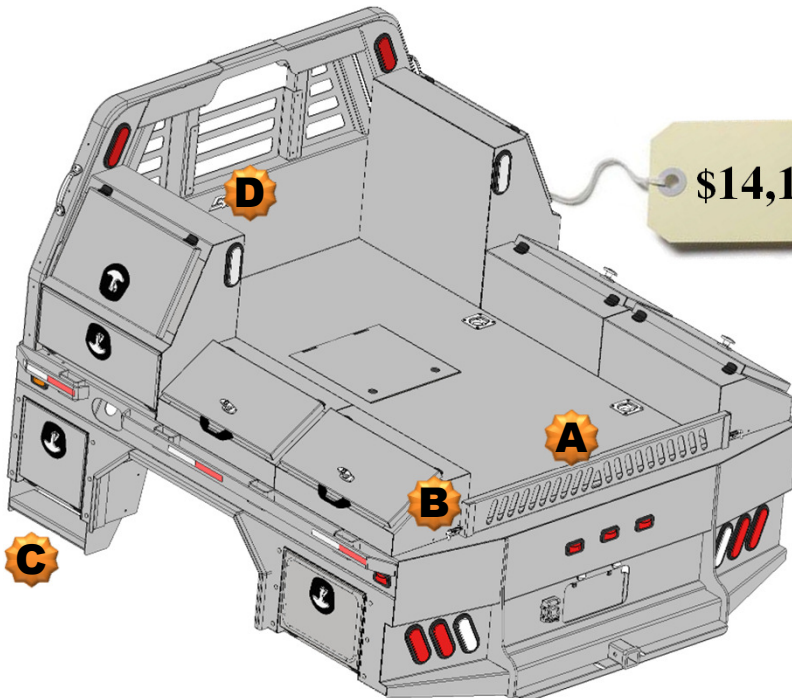
All Options Bed
87 – 40 Skirted Flatbed
w/Toolboxes
15” Deep

2 – 27” Front Mount Toolboxes
1 – 52” Taper Toolbox
2 – 26” Taper Toolbox

Optional Parts included in price

Any options not required subtract from Complete Bed Price.

- A. Formed Tailgate - \$150.00
- B. Tailgate Brackets - \$30.00 pair
- C. Front Steps - \$200.00 pair
- D. Center Window Guard - \$100.00



\$14,175

All Options Bed
87 – 40 Skirted Flatbed
w/Toolboxes
15” Deep

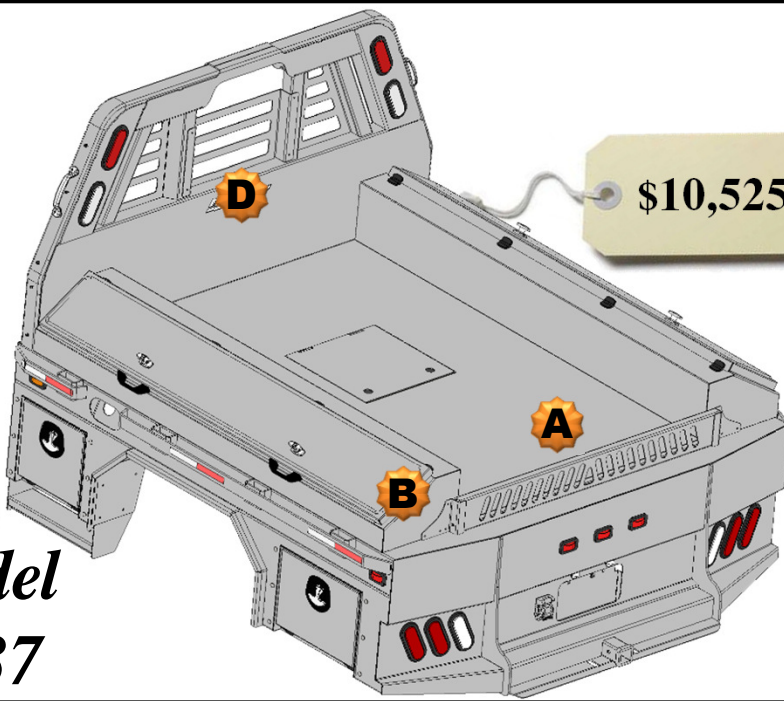
2 – 27” Front Mount Toolboxes
4 – 26” Taper Toolboxes

Optional Parts included in price

Any options not required subtract from Complete Bed Price.

- A. Formed Tailgate - \$150.00
- B. Tailgate Brackets - \$30.00 pair
- C. Front Steps - \$200.00 pair
- D. Center Window Guard - \$100.00

**Model
8087**



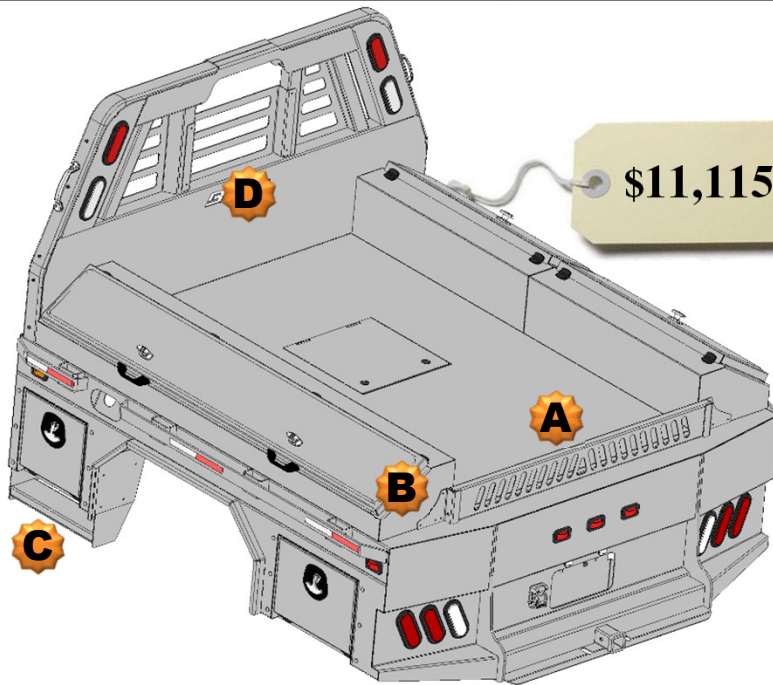
\$10,525

All Options Bed
87 – 40 Skirted Flatbed
w/Toolboxes
15” Deep
2 – 78” Taper Toolboxes

Optional Parts included in price

Any options not required subtract from Complete Bed Price.

- A. Formed Tailgate - \$150.00
- B. Tailgate Brackets - \$30.00 pair
- C. Front Steps - \$200.00 pair
- D. Center Window Guard



\$11,115

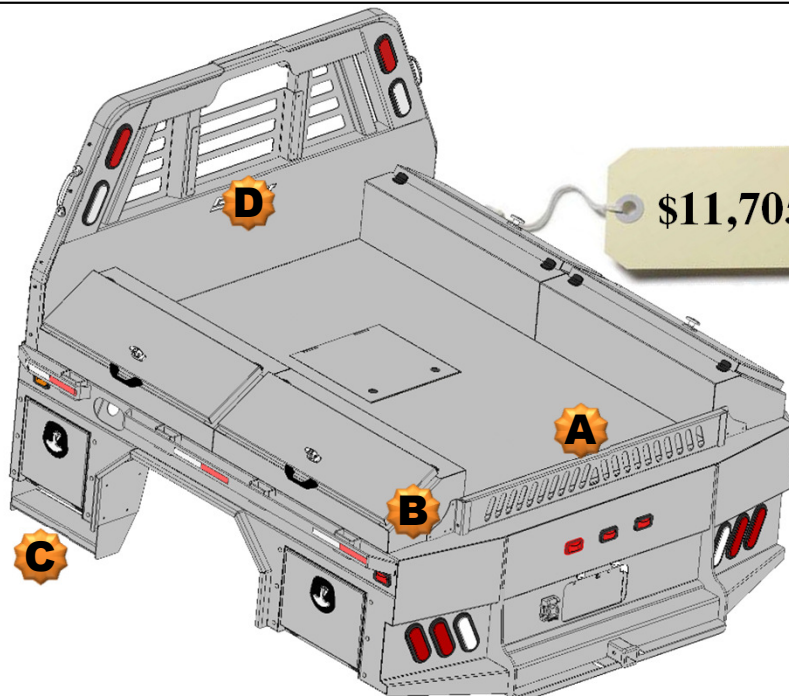
All Options Bed
87 – 40 Skirted Flatbed
w/Toolboxes
15” Deep

1 – 78” Taper Toolbox
2 – 39” Taper Toolbox

Optional Parts included in price

Any options not required subtract from Complete Bed Price.

- A. Formed Tailgate - \$150.00
- B. Tailgate Brackets - \$30.00 pair
- C. Front Steps - \$200.00 pair
- D. Center Window Guard - \$100.00



\$11,705

All Options Bed
87 – 40 Skirted Flatbed
w/Toolboxes
15” Deep

4 – 39” Taper Toolboxes

Optional Parts included in price

Any options not required subtract from Complete Bed Price.

- A. Formed Tailgate - \$150.00
- B. Tailgate Brackets - \$30.00 pair
- C. Front Steps - \$200.00 pair
- D. Center Window Guard - \$100.00

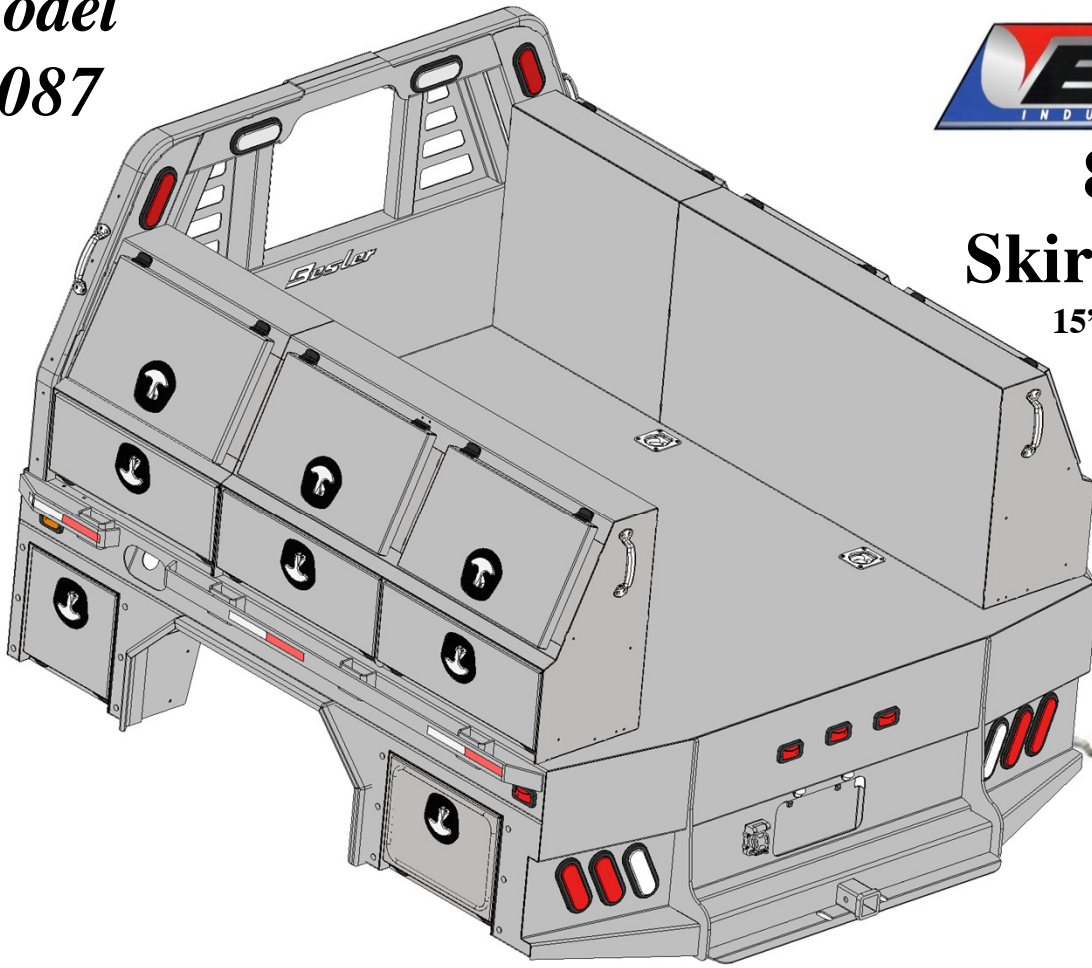
**Model
8087**



87" - 40

Skirted Flatbed

15" Contractor Box



Base Price

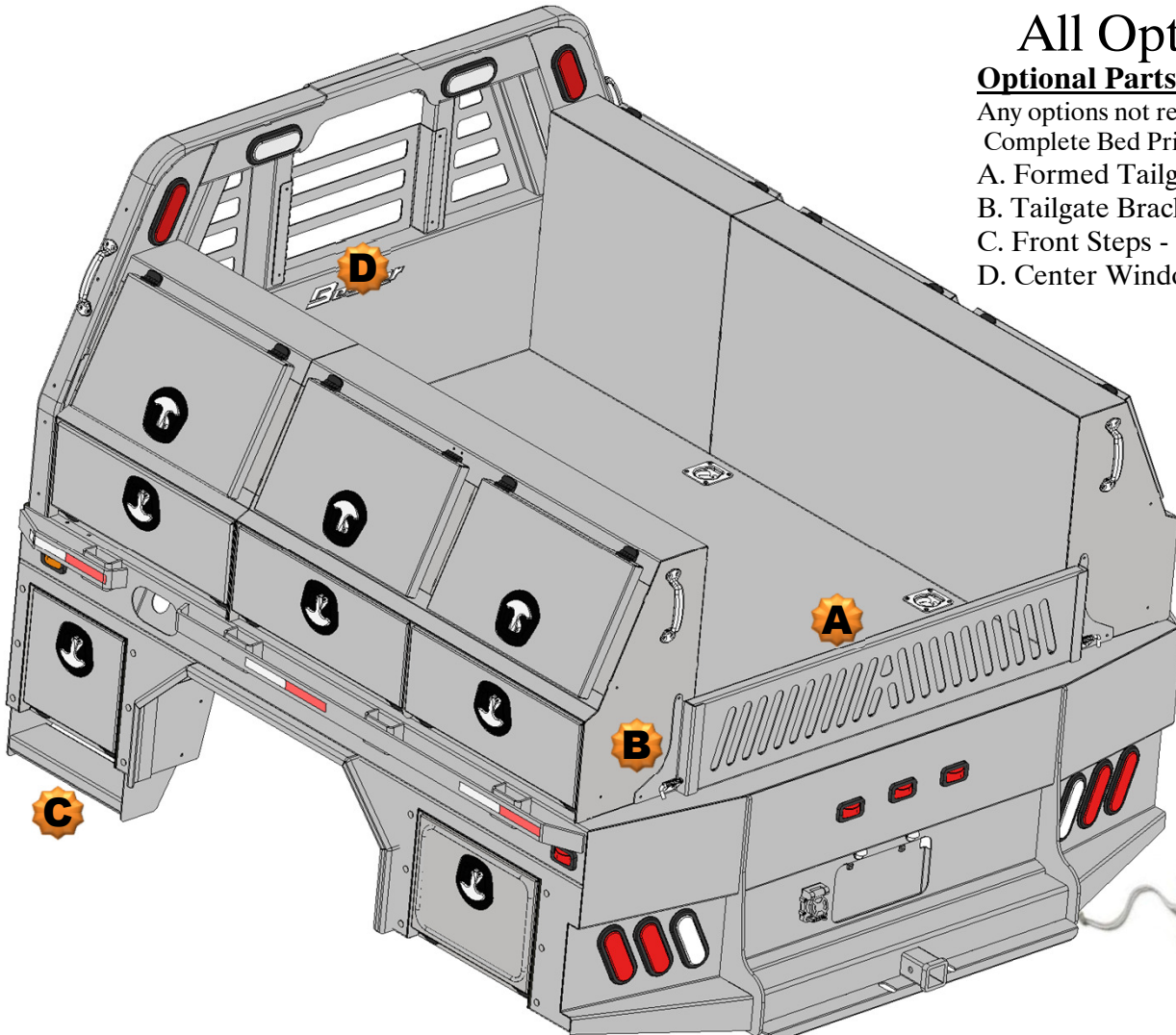
\$16,335

All Options Bed

Optional Parts included in price

Any options not required subtract from Complete Bed Price.

- A. Formed Tailgate - \$150.00
- B. Tailgate Brackets - \$30.00 pair
- C. Front Steps - \$200.00 pair
- D. Center Window Guard - \$100.00



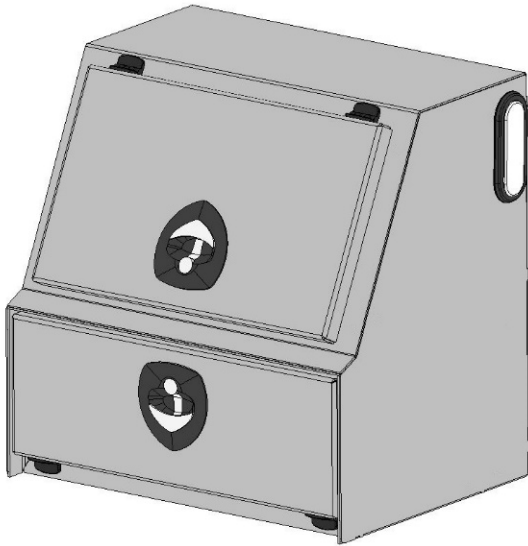
\$16,815



87" Flatbed

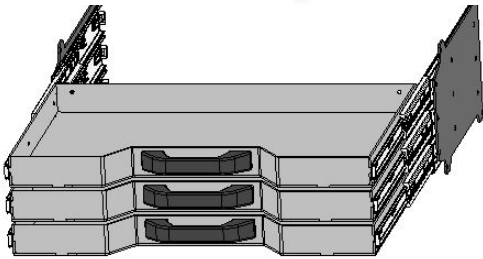
Price and configurations

With 20" Deep Tool boxes

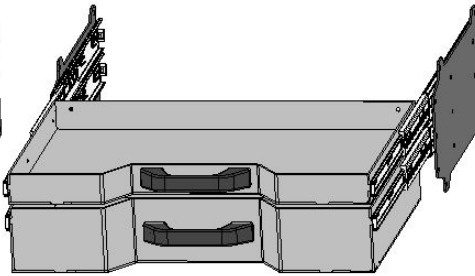


Front Mount Tool box

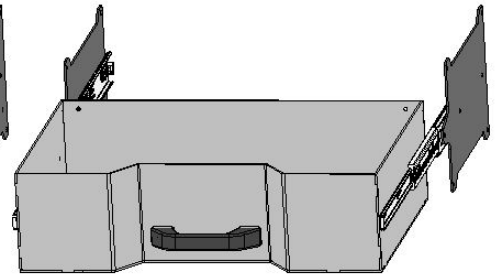
- 27" x 20" Deep
- Drawers Available 1, 2 or 3 drawers
- Drawer kits can be added later
- Can be ordered with or without Backup light.
- Gas Shocks on Top door
- Screwdriver holders on shelf
- Wrench rack on the top back panel



3 drawers 1-3/4" deep



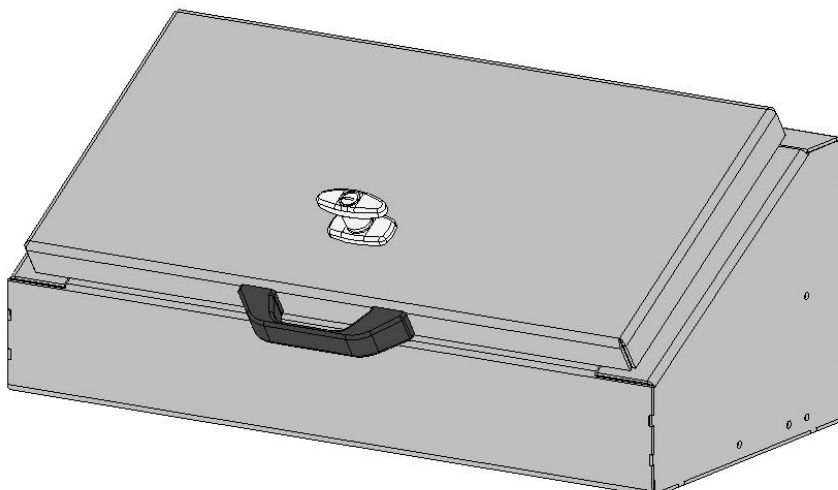
1 drawer 1-3/4" deep
1 drawer 3-7/8" deep



1 drawer 6" deep

CAUTION

The front mount tool box is 27" tall. On an 87" bed there may be a clearance issue if you plan on pulling a gooseneck trailer. Depending on the style of gooseneck.



Top Taper Tool boxes

Available lengths

- 26"
- 34"
- 39"
- 46"
- 52"
- 68"
- 78"

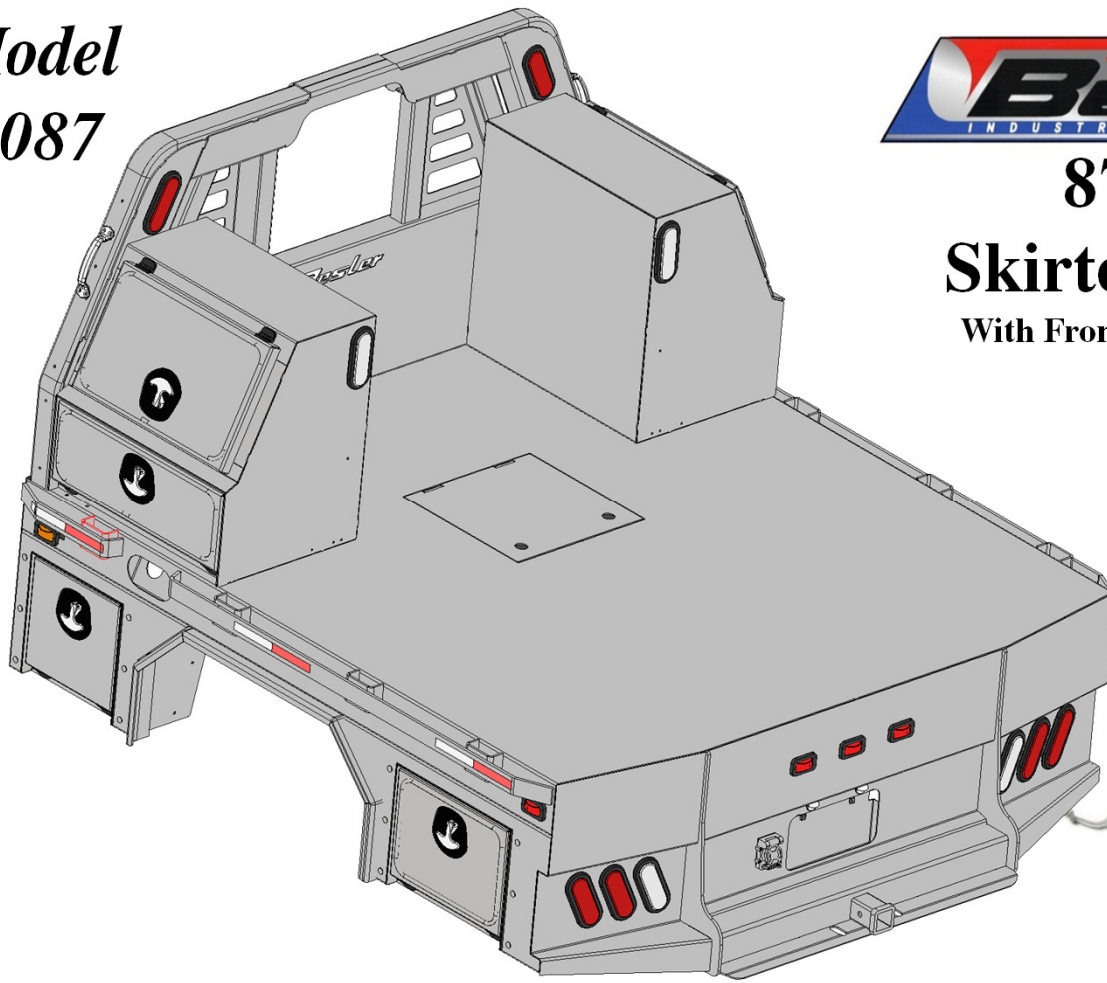
**Model
8087**



87" - 40

Skirted Flatbed

With Front Mount Toolboxes
20" Deep



Base Price

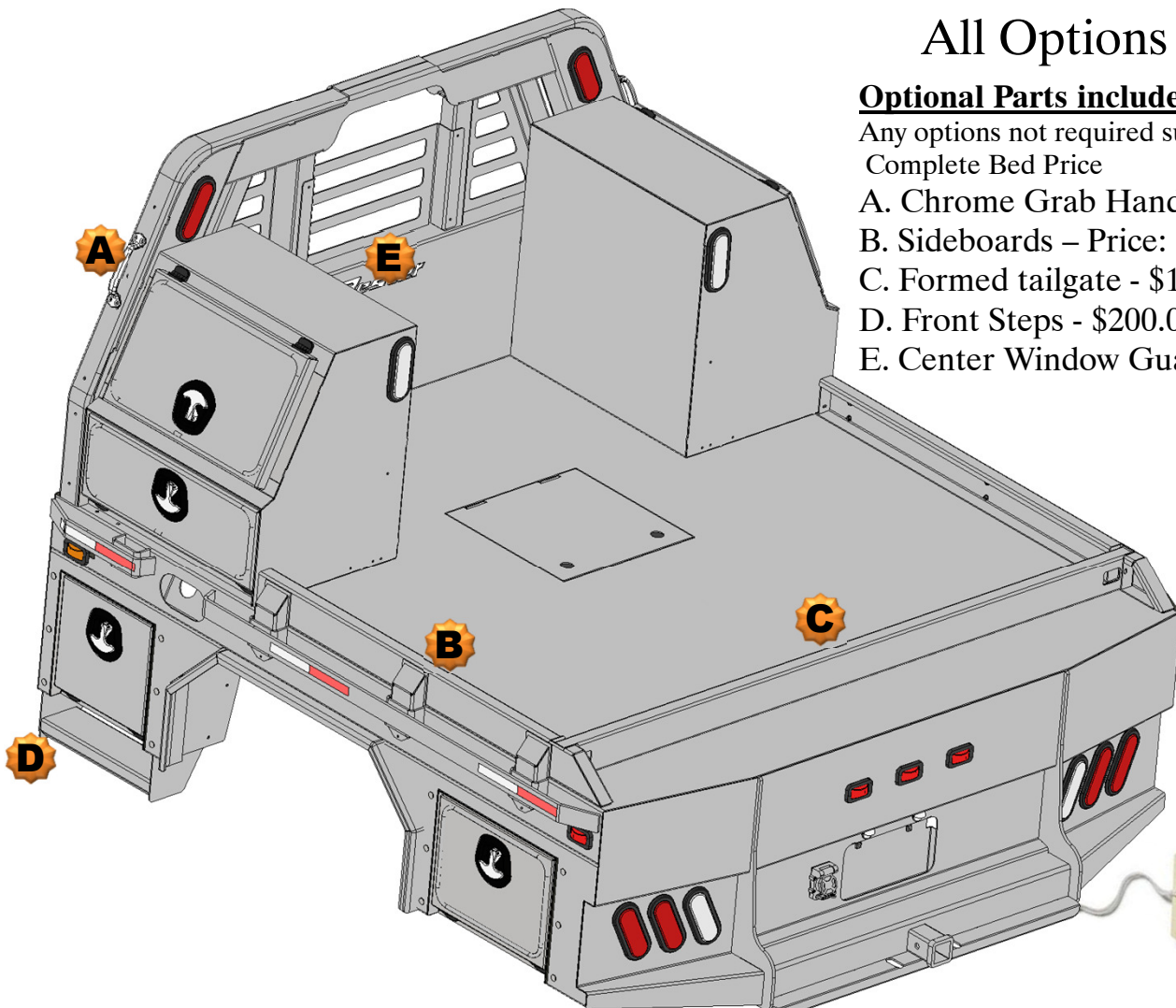
\$10,865

All Options Bed

Optional Parts included in price

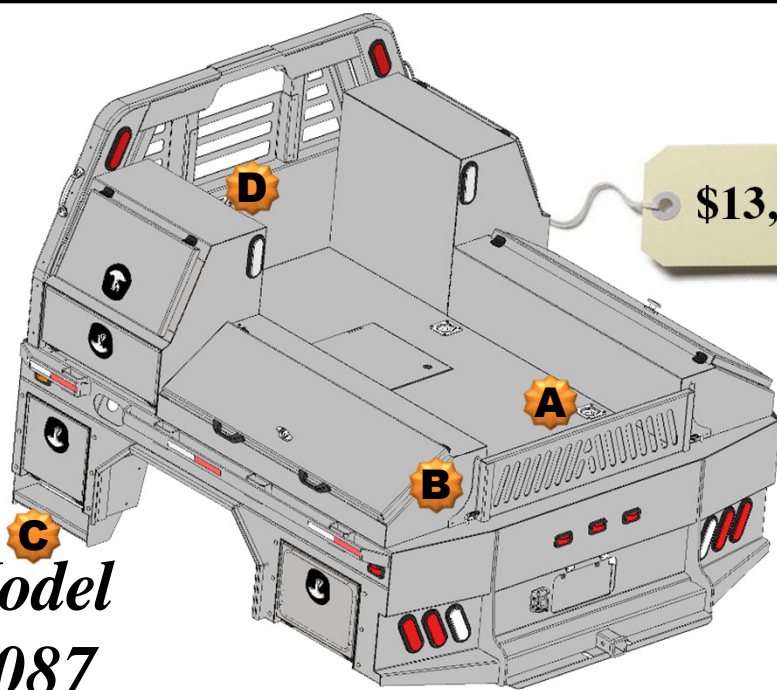
Any options not required subtract from Complete Bed Price

- A. Chrome Grab Handles – \$46.00 pair
- B. Sideboards – Price: \$650.00 – Pair
- C. Formed tailgate - \$150.00
- D. Front Steps - \$200.00
- E. Center Window Guard - \$100.00



\$12,011

**Model
8087**



\$13,665

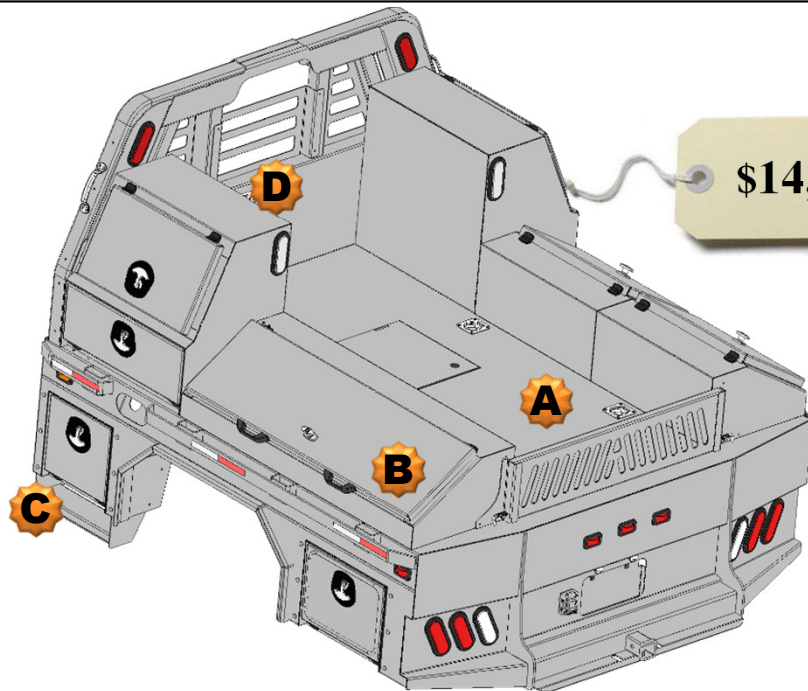
**All Options Bed
87 – 40 Skirted Flatbed
w/Toolboxes
20” Deep**

**2 – 27” Front Mount Toolboxes
2 – 52” Taper Toolboxes**

Optional Parts included in price

Any options not required subtract from Complete Bed Price.

- A. Formed Tailgate - \$150.00
- B. Tailgate Brackets - \$30.00 pair
- C. Front Steps - \$200.00 pair
- D. Center Window Guard - \$100.00



\$14,595

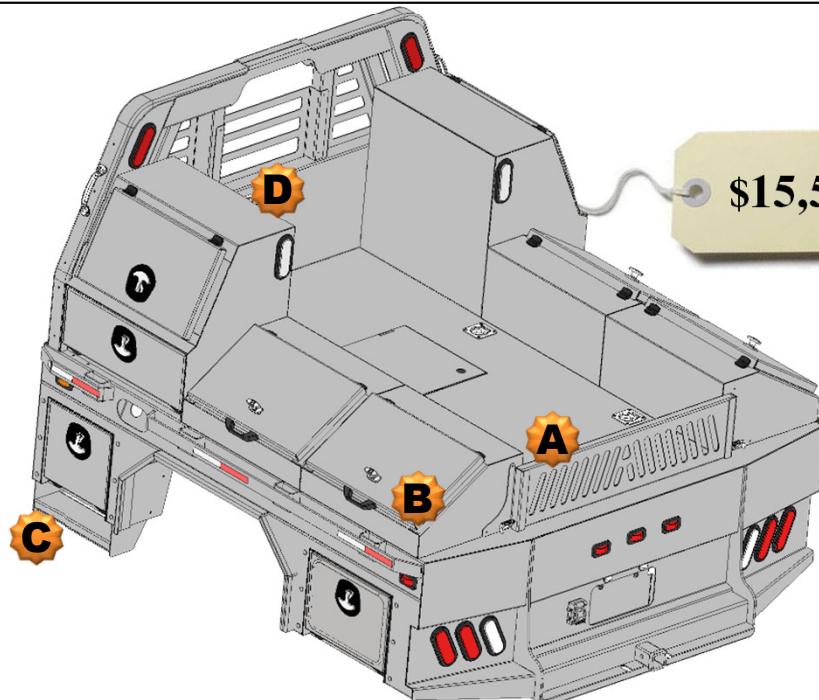
**All Options Bed
87 – 40 Skirted Flatbed
w/Toolboxes
20” Deep**

**2 – 27” Front Mount Toolboxes
1 – 52” Taper Toolbox
2 – 26” Taper Toolbox**

Optional Parts included in price

Any options not required subtract from Complete Bed Price.

- A. Formed Tailgate - \$150.00
- B. Tailgate Brackets - \$30.00 pair
- C. Front Steps - \$200.00 pair
- D. Center Window Guard - \$100.00



\$15,525

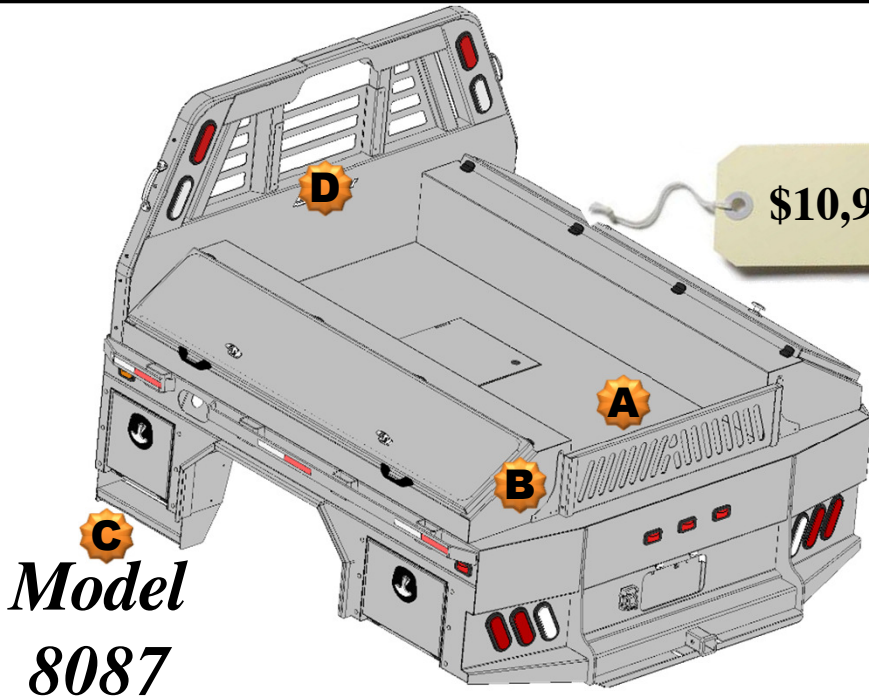
**All Options Bed
87 – 40 Skirted Flatbed
w/Toolboxes
20” Deep**

**2 – 27” Front Mount Toolboxes
4 – 26” Taper Toolboxes**

Optional Parts included in price

Any options not required subtract from Complete Bed Price.

- A. Formed Tailgate - \$150.00
- B. Tailgate Brackets - \$30.00 pair
- C. Front Steps - \$200.00 pair
- D. Center Window Guard - \$100.00



**Model
8087**

\$10,935

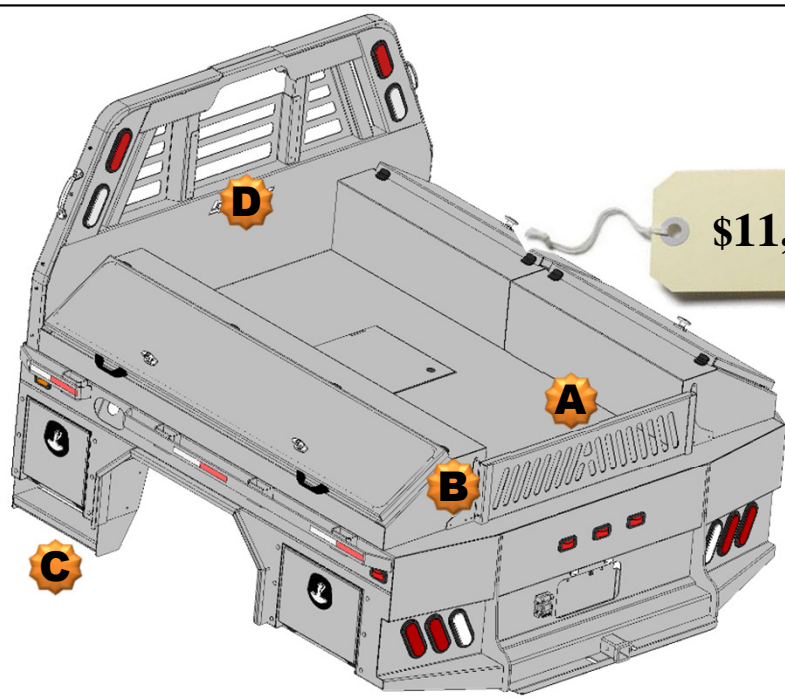
All Options Bed
87 – 40 Skirted Flatbed
w/Toolboxes
20” Deep

2 – 78” Taper Toolboxes

Optional Parts included in price

Any options not required subtract from Complete Bed Price.

- A. Formed Tailgate - \$150.00
- B. Tailgate Brackets - \$30.00 pair
- C. Front Steps - \$200.00 pair
- D. Center Window Guard - \$100.00



\$11,740

All Options Bed
87 – 40 Skirted Flatbed
w/Toolboxes
20” Deep

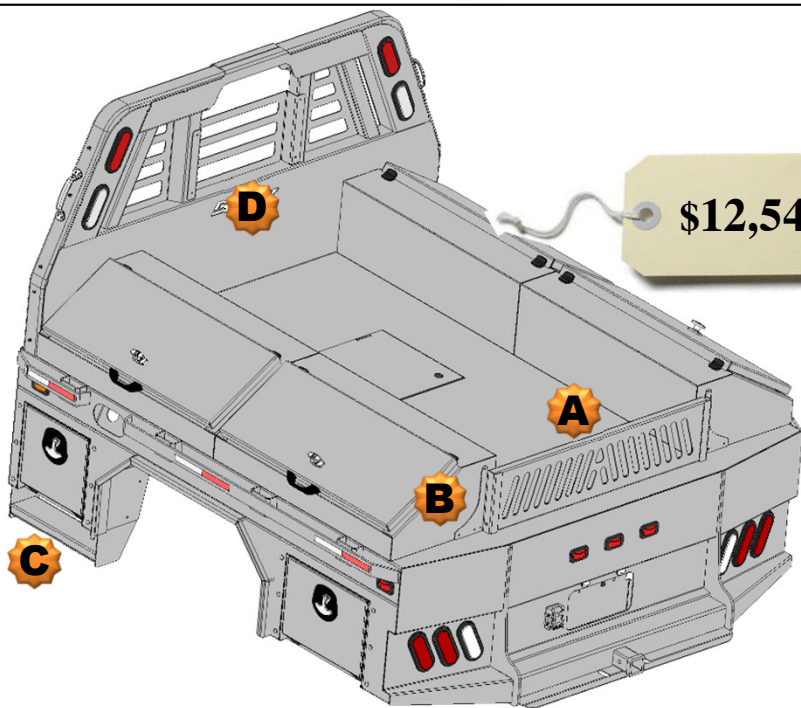
1 – 78” Taper Toolbox

2 – 39” Taper Toolbox

Optional Parts included in price

Any options not required subtract from Complete Bed Price.

- A. Formed Tailgate - \$150.00
- B. Tailgate Brackets - \$30.00 pair
- C. Front Steps - \$200.00 pair
- D. Center Window Guard - \$100.00



\$12,545

All Options Bed
87 – 40 Skirted Flatbed
w/Toolboxes
20” Deep

4 – 39” Taper Toolboxes

Optional Parts included in price

Any options not required subtract from Complete Bed Price.

- A. Formed Tailgate - \$150.00
- B. Tailgate Brackets - \$30.00 pair
- C. Front Steps - \$200.00 pair
- D. Center Window Guard - \$100.00

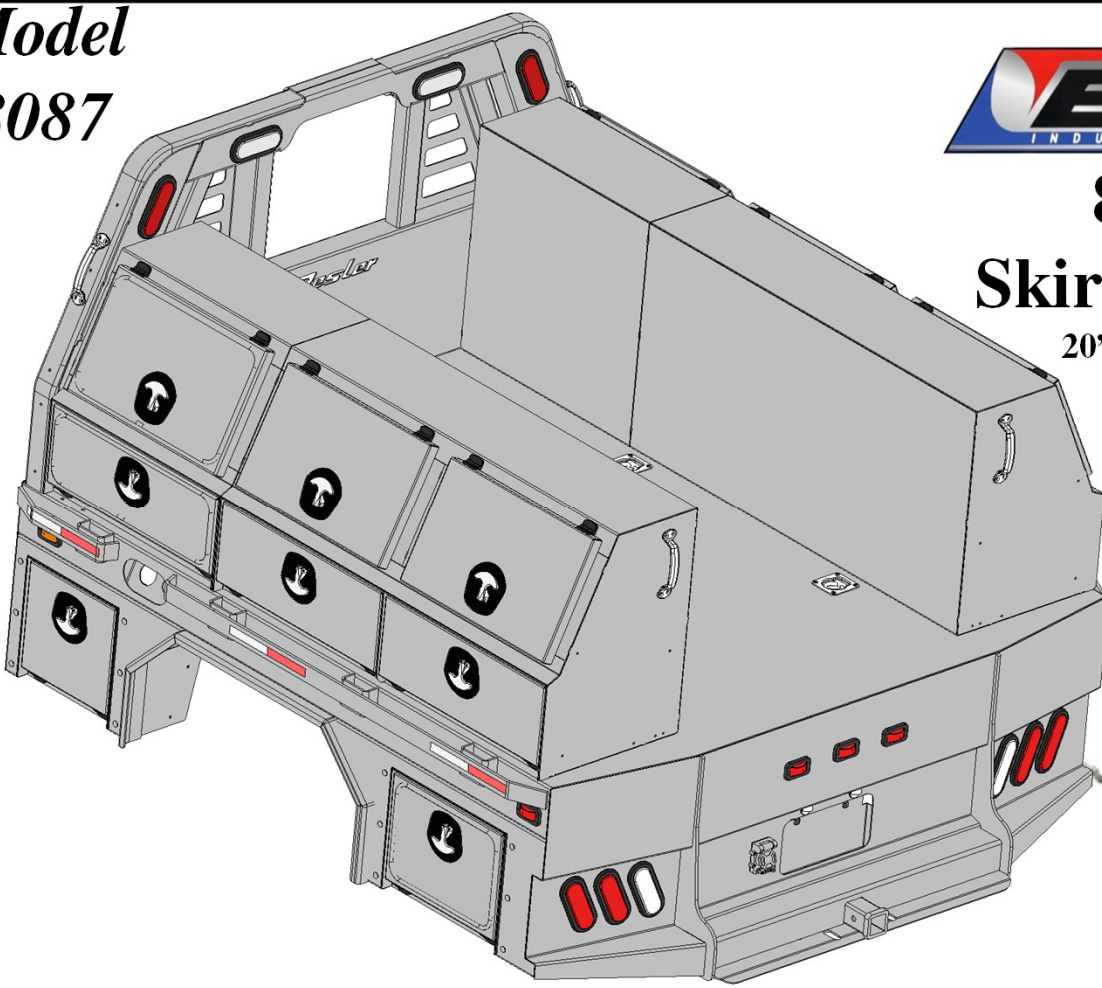
**Model
8087**



87" - 40

Skirted Flatbed

20" Contractor Box



Base Price

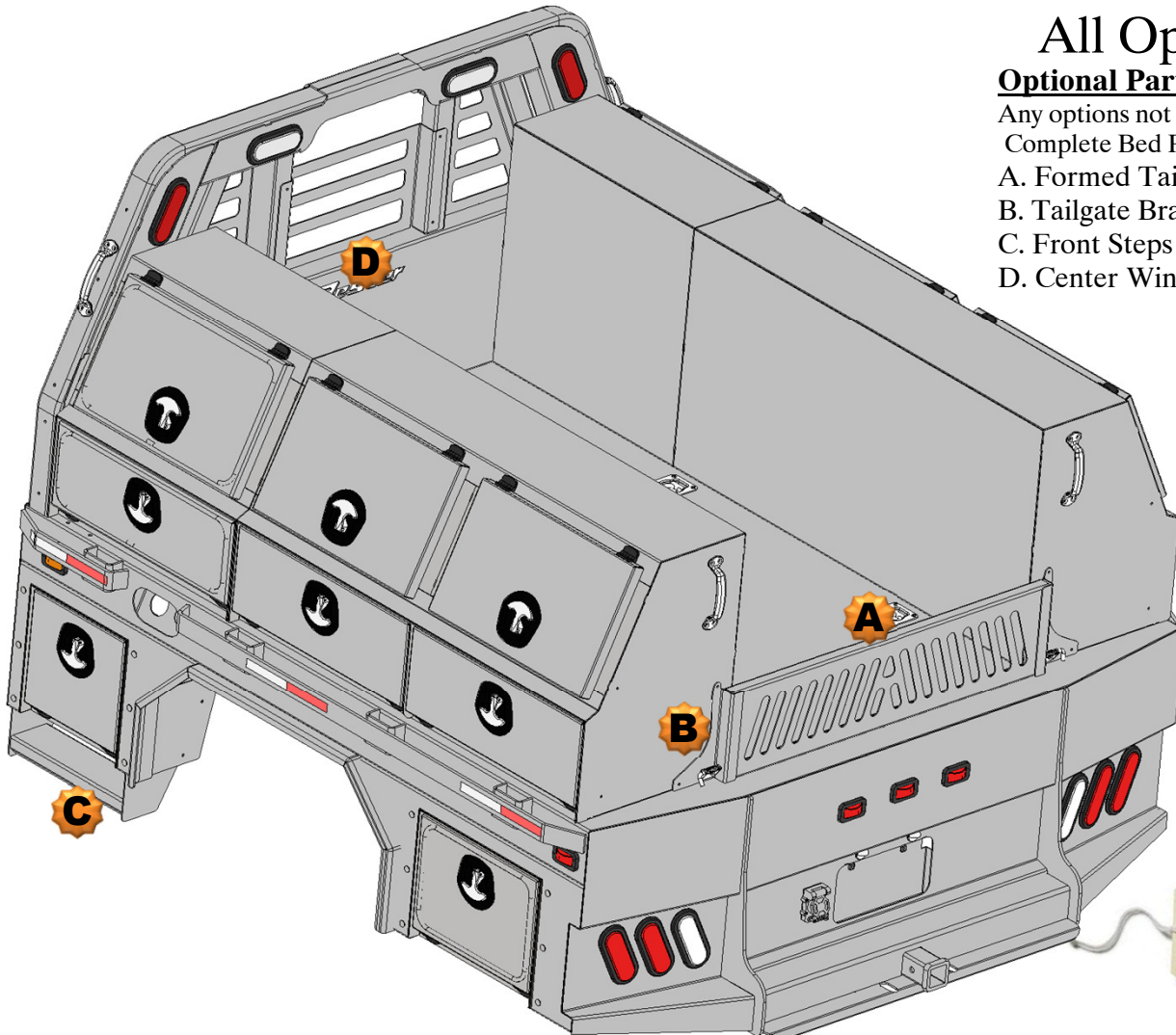
\$17,645

All Options Bed

Optional Parts included in price

Any options not required subtract from Complete Bed Price.

- A. Formed Tailgate - \$150.00
- B. Tailgate Brackets - \$30.00 pair
- C. Front Steps - \$200.00 pair
- D. Center Window Guard - \$100.00



\$18,125