



# 8087 - 38 Cab to Axle

## Skirted Bed

### Options & Price Guide



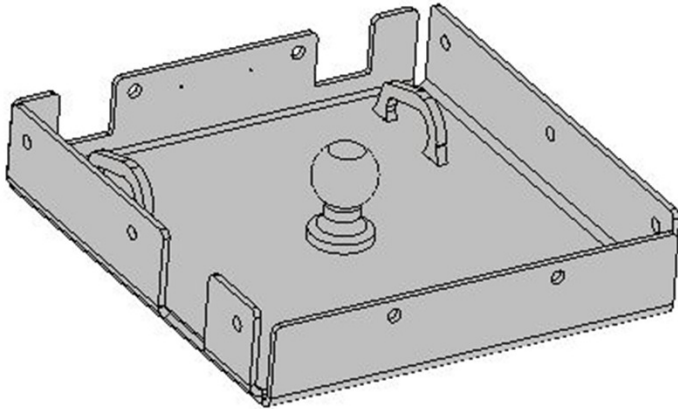


# Fifth Wheel Options

## Standard Recessed Ball

30,000 lbs 5th wheel ball included

\$200.00 Retail Price

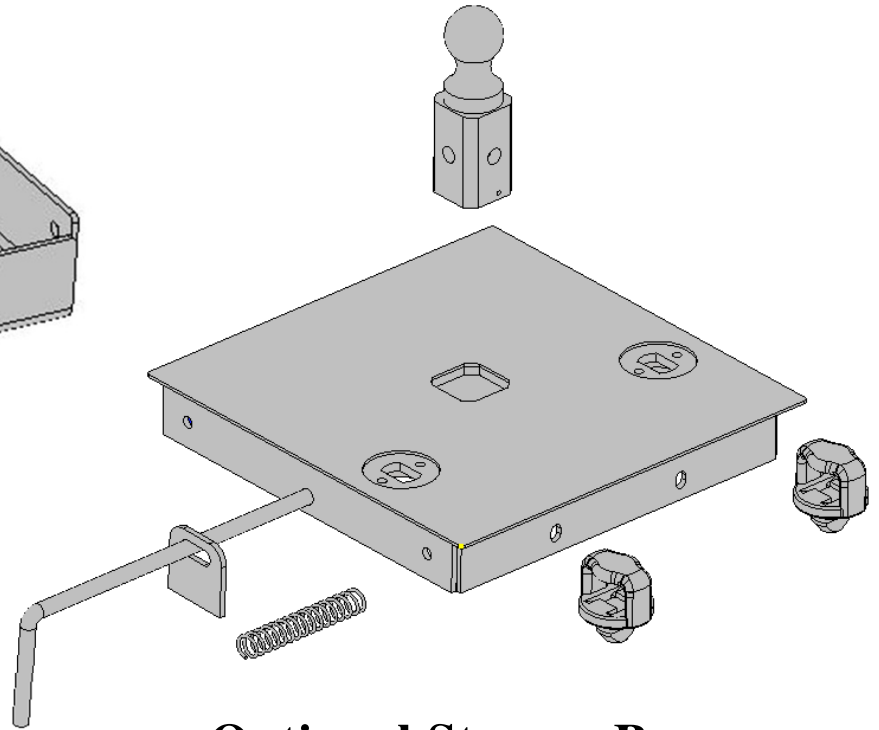


## Optional Flush Mount

### Flip Over Ball

Upgrade from standard

5<sup>th</sup> wheel - \$450.00

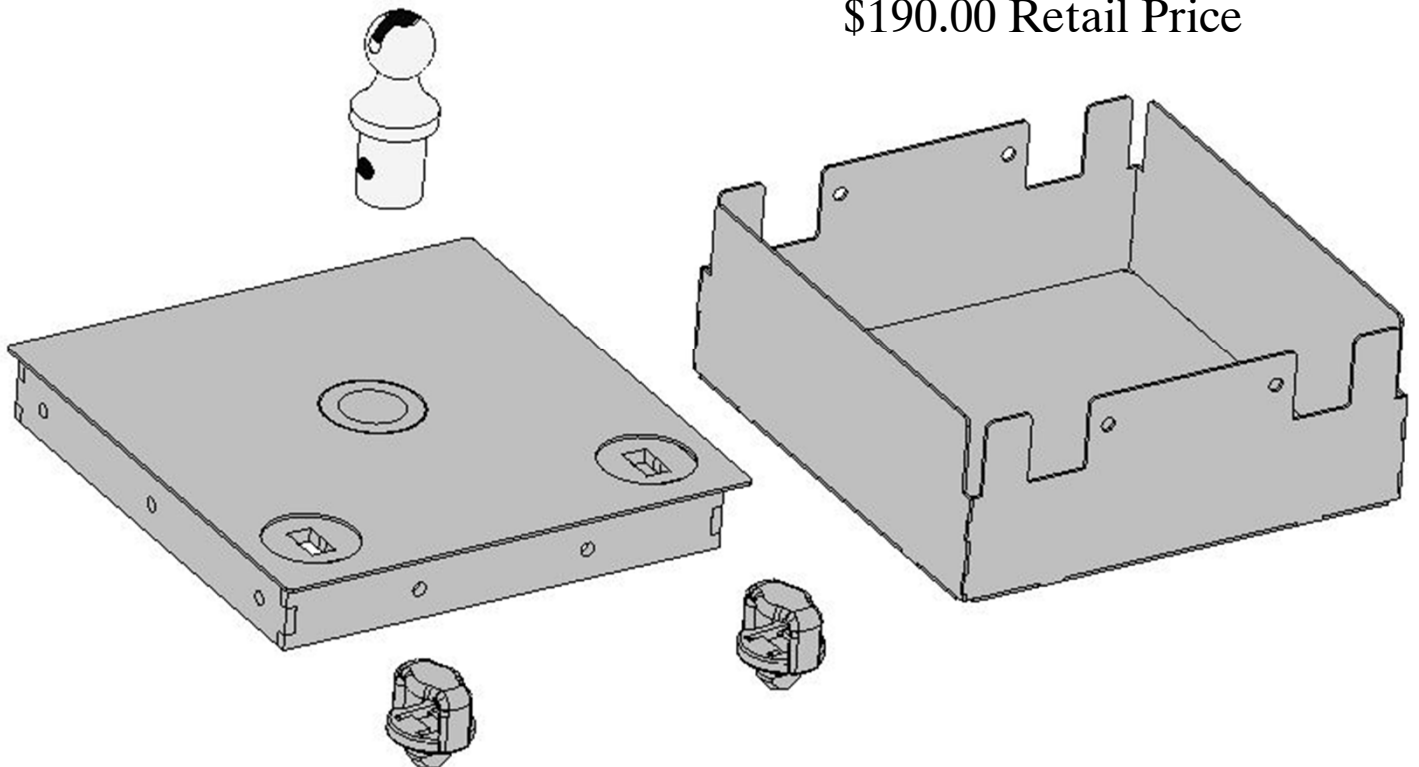


## Optional Flush Mount For Drop In Ball

Upgrade from standard

5<sup>th</sup> wheel - \$400.00

Ball and Puck \$300.00 Net



## Optional Storage Box

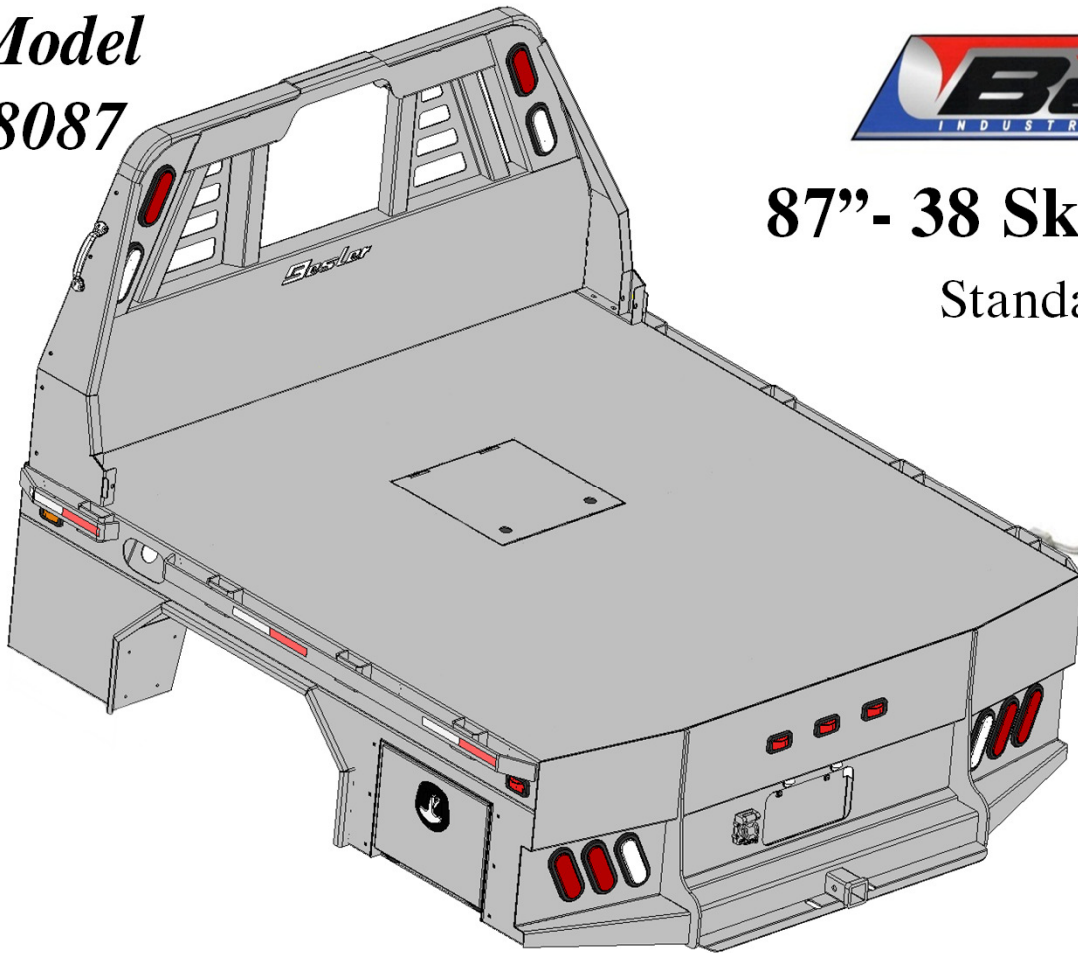
\$190.00 Retail Price

**Model**  
**8087**

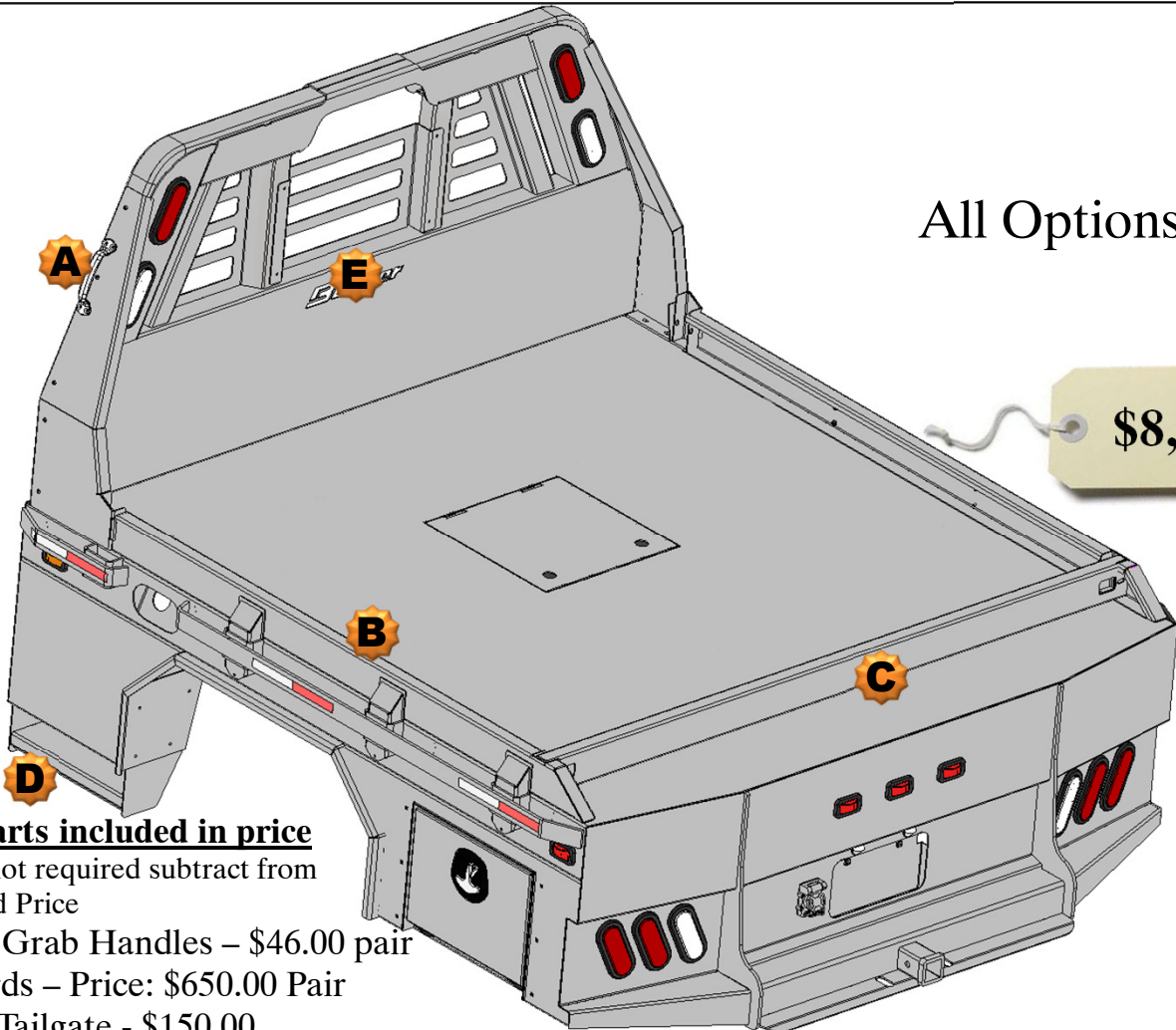


# 87"- 38 Skirted Flatbed

## Standard Bed



**\$7,458**



## All Options Bed

**\$8,604**

### Optional Parts included in price

Any options not required subtract from Complete Bed Price

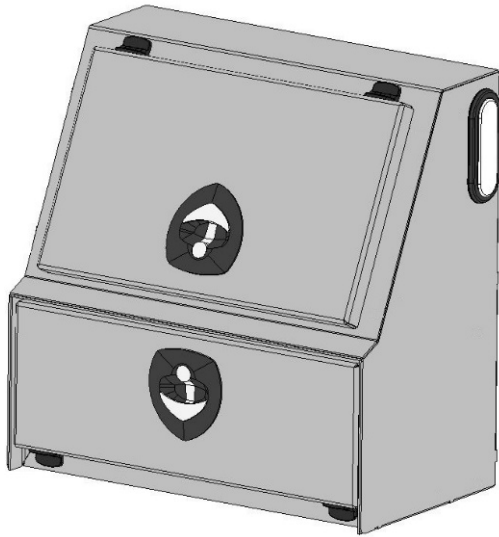
- A. Chrome Grab Handles – \$46.00 pair
- B. Sideboards – Price: \$650.00 Pair
- C. Formed Tailgate - \$150.00
- D. Front Steps - \$200.00 Pair
- E. Center Window Guard - \$100.00



# 87" Flatbed

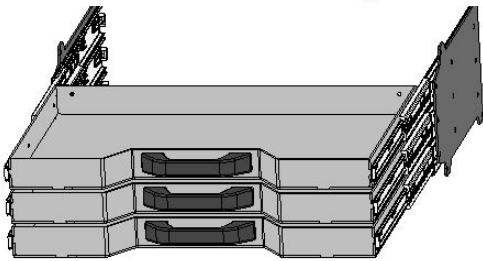
## Price and configurations

### With 15" Deep Tool boxes

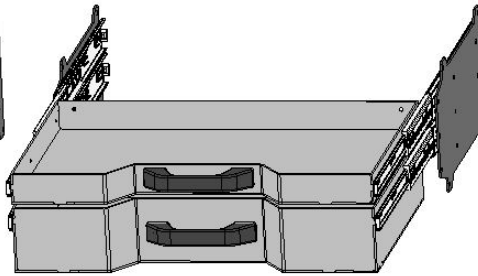


#### Front Mount Tool box

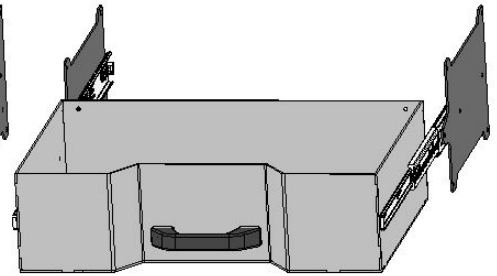
- 27" x 15" Deep
- Drawers Available 1, 2 or 3 drawers
- Drawer kits can be added later
- Can be ordered with or without Backup light.
- Gas Shocks on Top door
- Screwdriver holders on shelf
- Wrench rack on the top back panel



3 drawers 1-3/4" deep



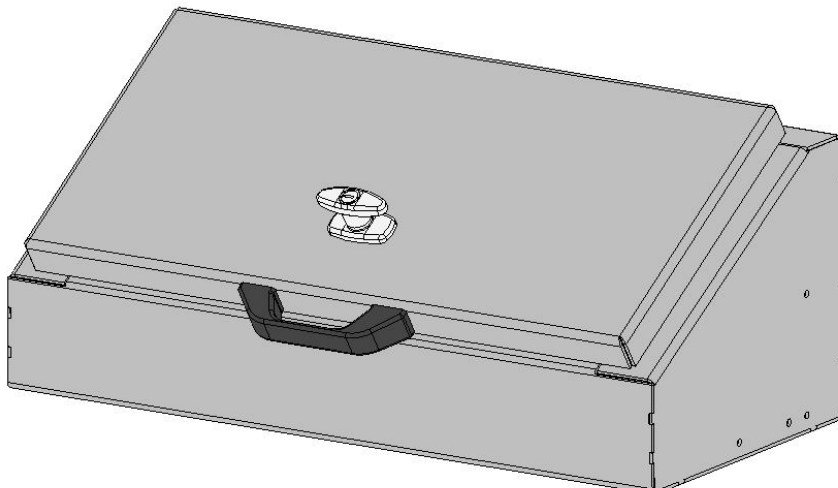
1 drawer 1-3/4" deep  
1 drawer 3-7/8" deep



1 drawer 6" deep

**CAUTION**

The front mount tool box is 27" tall. On an 87" bed there may be a clearance issue if you plan on pulling a gooseneck trailer. Depending on the style of gooseneck.



#### Top Taper Tool boxes

##### Available lengths

- 26"
- 34"
- 39"
- 46"
- 52"
- 68"
- 78"

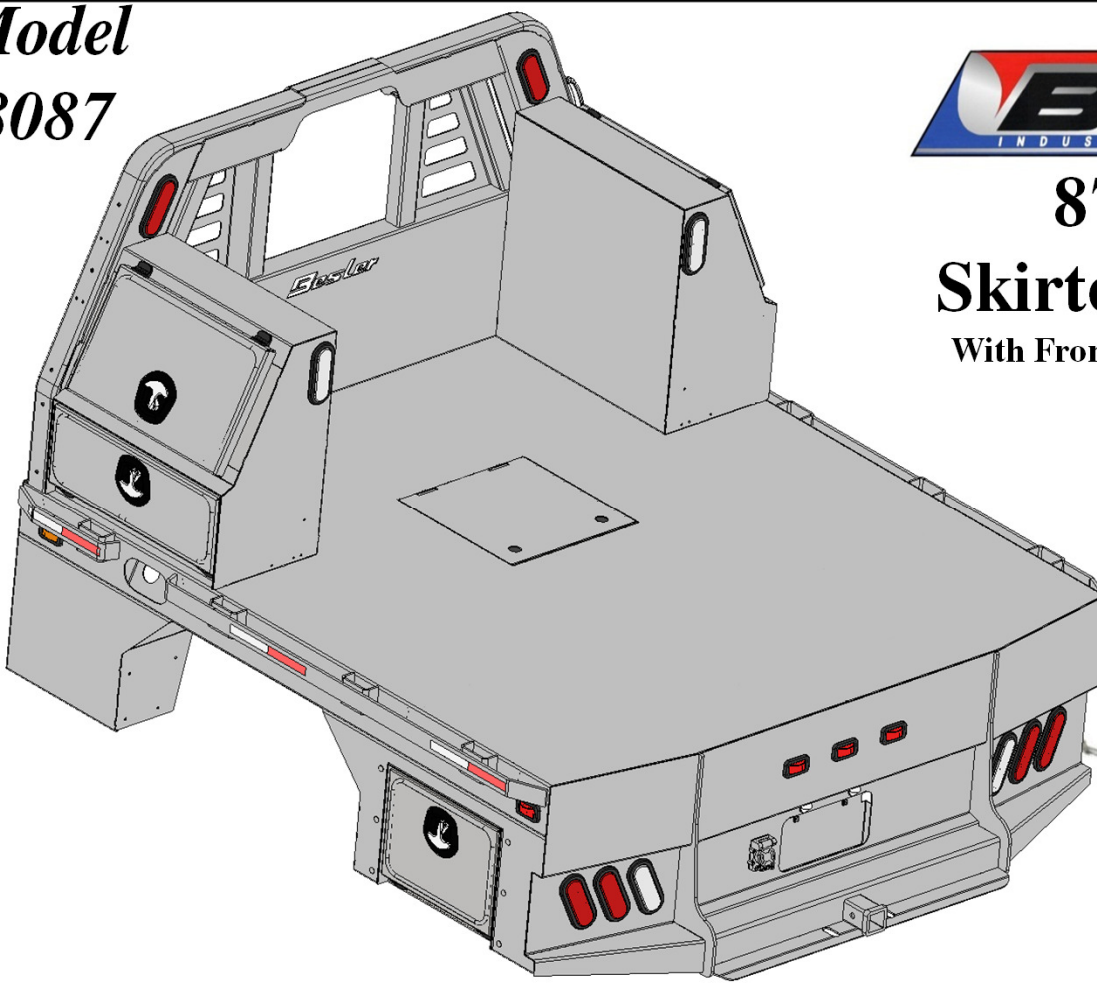
**Model**  
**8087**



**87" - 38**

## Skirted Flatbed

With Front Mount Toolboxes  
15" deep



Base Price

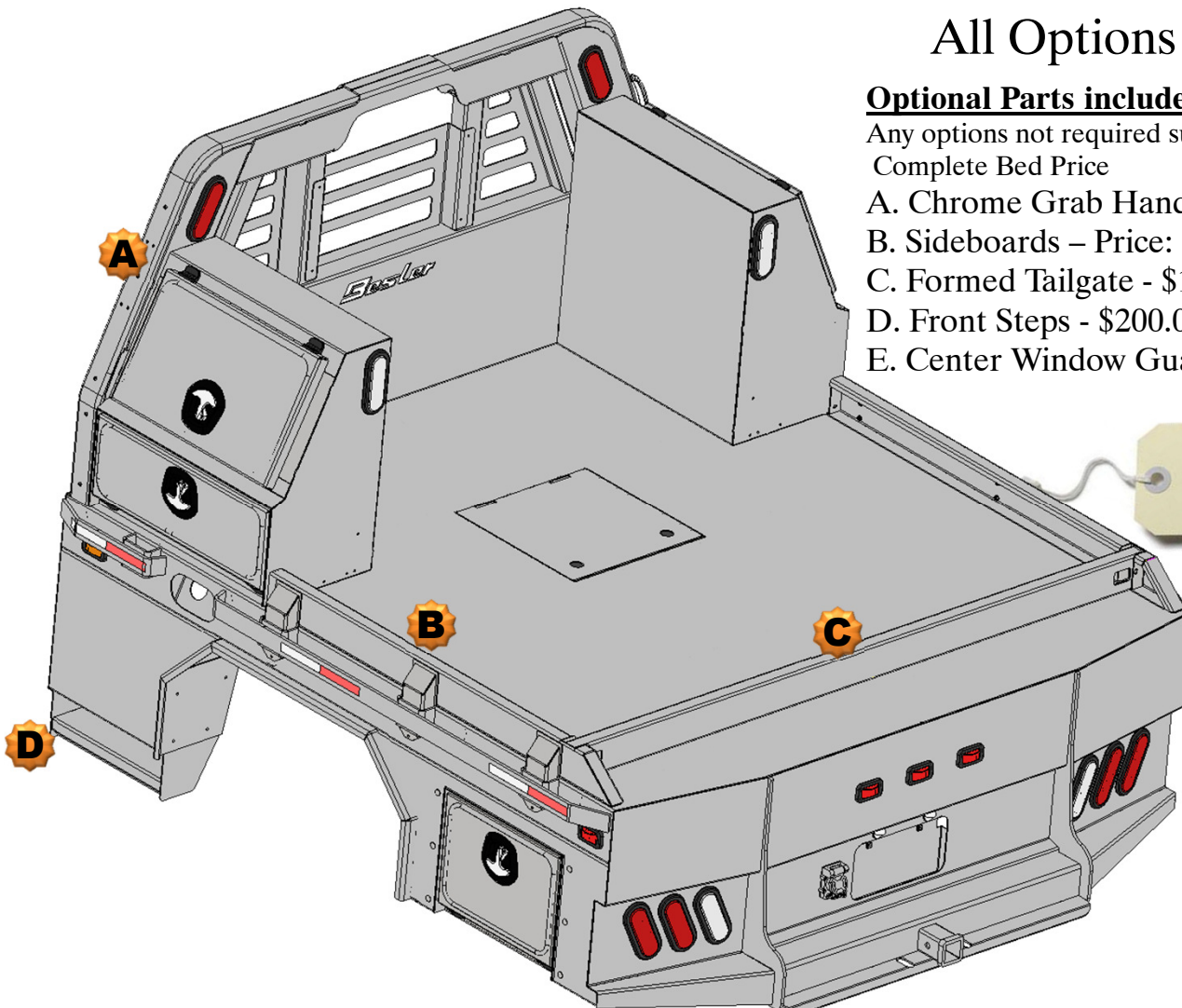
**\$9,928**

## All Options Bed

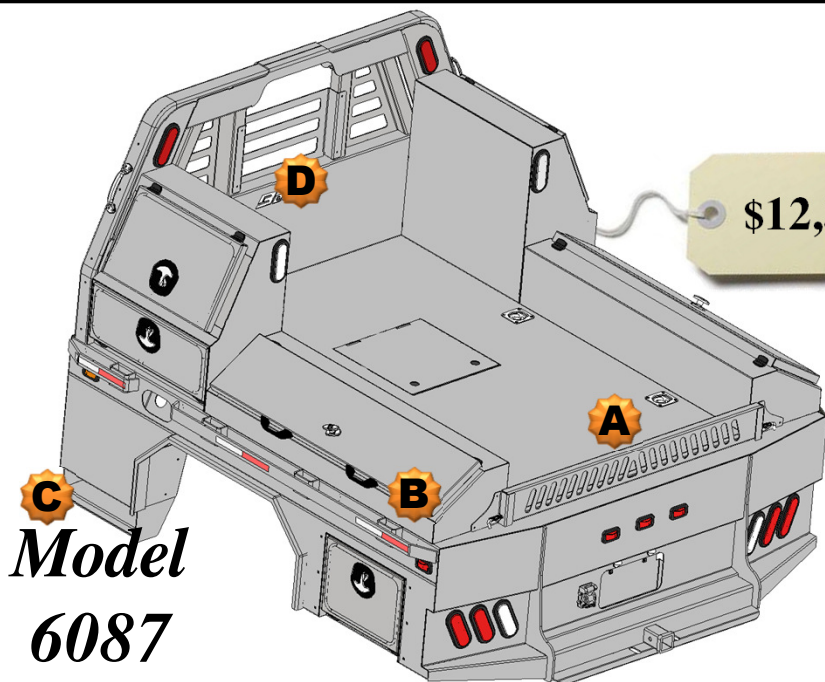
### Optional Parts included in price

Any options not required subtract from Complete Bed Price

- A. Chrome Grab Handles - \$46.00 pair
- B. Sideboards - Price: \$650.00 - Pair
- C. Formed Tailgate - \$150.00
- D. Front Steps - \$200.00 pair
- E. Center Window Guard - \$100.00



**\$11,074**



**Model  
6087**

**\$12,308**

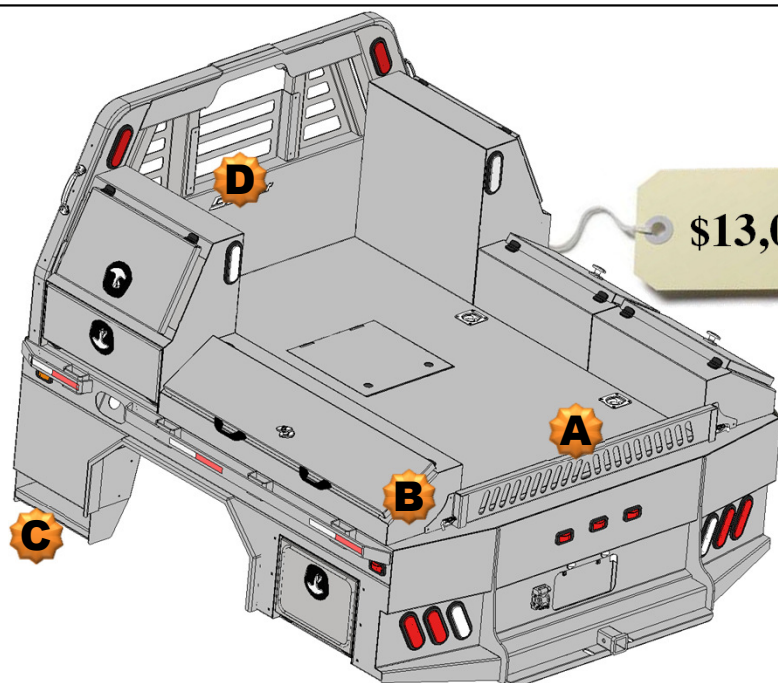
**All Options Bed  
87 – 38 Skirted Flatbed  
w/Toolboxes  
15” Deep**

- 2 – 27” Front Mount Toolboxes**
- 2 – 52” Taper Toolboxes**

**Optional Parts included in price**

Any options not required subtract from Complete Bed Price.

- A. Formed Tailgate - \$150.00
- B. Tailgate Brackets - \$30.00 pair
- C. Front Steps - \$200.00 pair
- D. Center Window Guard - \$100.00



**\$13,028**

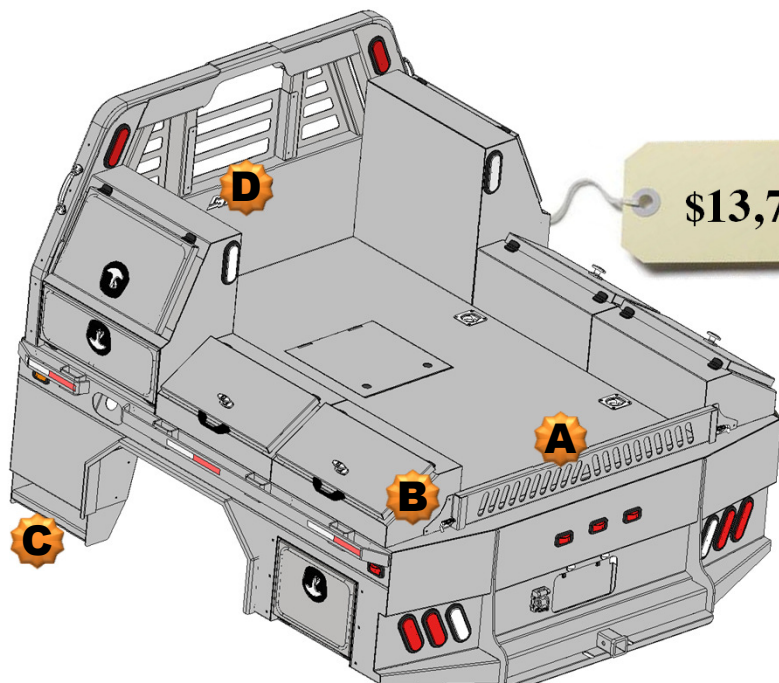
**All Options Bed  
87 – 38 Skirted Flatbed  
w/Toolboxes  
15” Deep**

- 2 – 27” Front Mount Toolboxes**
- 1 – 52” Taper Toolbox**
- 2 – 26” Taper Toolbox**

**Optional Parts included in price**

Any options not required subtract from Complete Bed Price.

- A. Formed Tailgate - \$150.00
- B. Tailgate Brackets - \$30.00 pair
- C. Front Steps - \$200.00 pair
- D. Center Window Guard - \$100.00



**\$13,748**

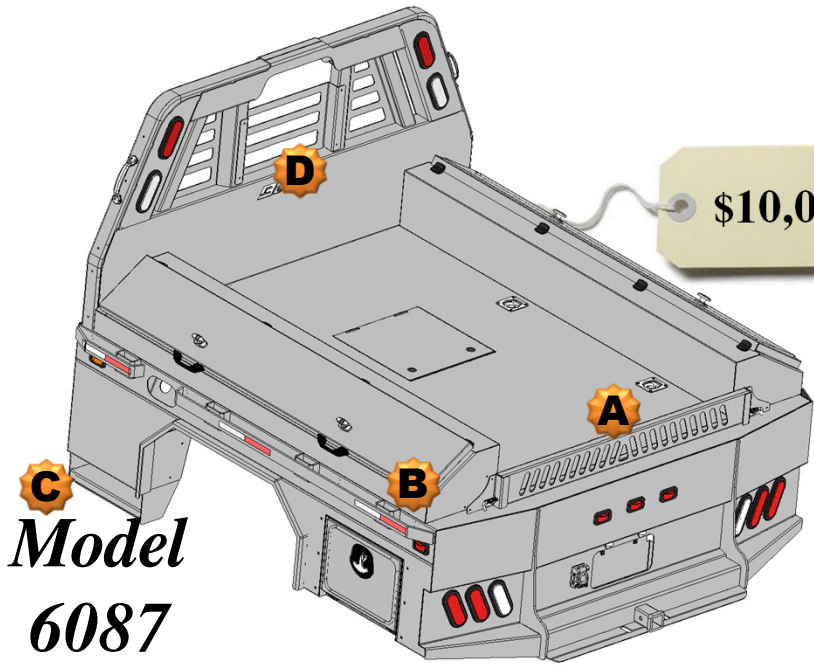
**All Options Bed  
87 – 38 Skirted Flatbed  
w/Toolboxes  
15” Deep**

- 2 – 27” Front Mount Toolboxes**
- 4 – 26” Taper Toolboxes**

**Optional Parts included in price**

Any options not required subtract from Complete Bed Price.

- A. Formed Tailgate - \$150.00
- B. Tailgate Brackets - \$30.00 pair
- C. Front Steps - \$200.00 pair
- D. Center Window Guard - \$100.00



**C**  
*Model*  
**6087**

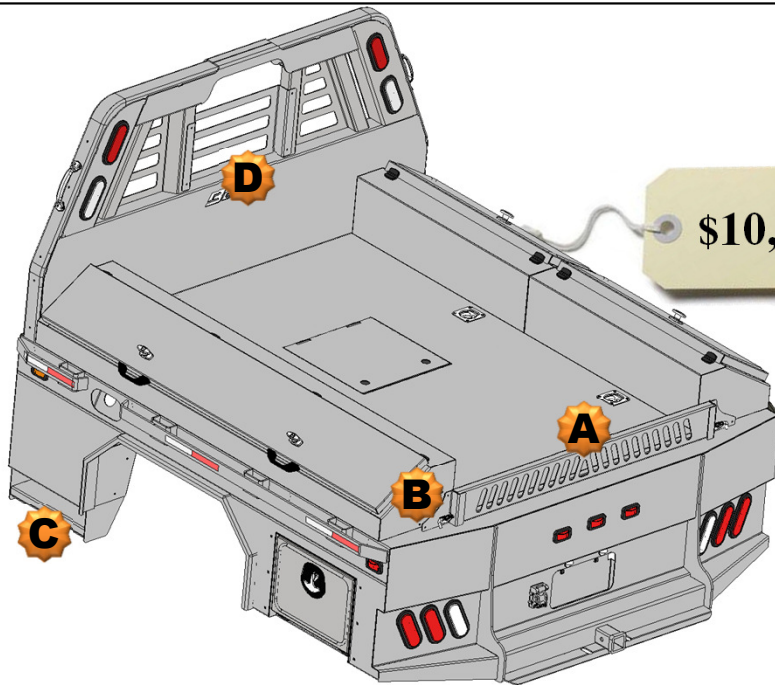
**\$10,098**

**All Options Bed**  
87 – 38 Skirted Flatbed  
w/Toolboxes  
**15” Deep**  
2 – 78” Taper Toolboxes

**Optional Parts included in price**

Any options not required subtract from Complete Bed Price.

- A. Formed Tailgate - \$150.00
- B. Tailgate Brackets - \$30.00 pair
- C. Front Steps - \$200.00 pair
- D. Center Window Guard - \$100.00



**\$10,688**

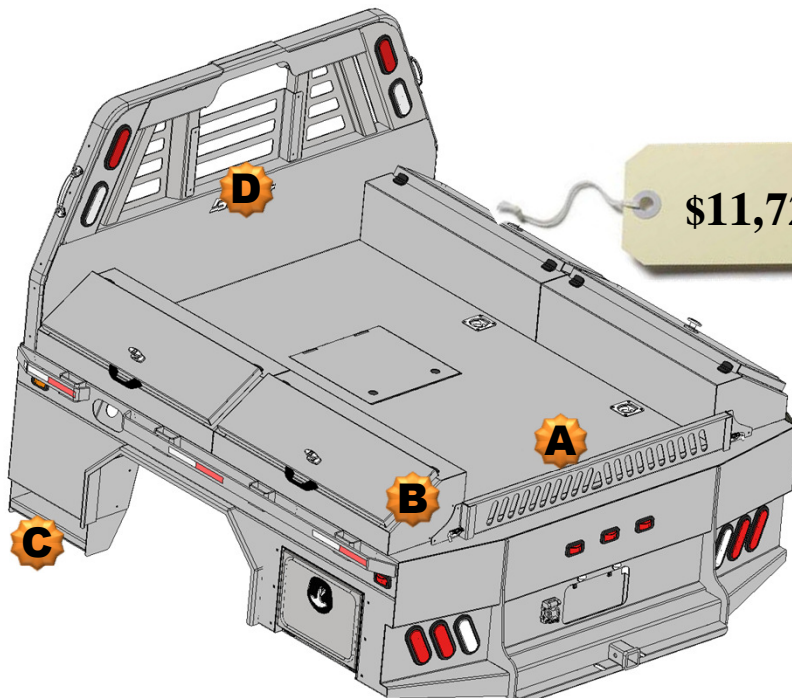
**All Options Bed**  
87 – 38 Skirted Flatbed  
w/Toolboxes  
**15” Deep**

1 – 78” Taper Toolbox  
2 – 39” Taper Toolbox

**Optional Parts included in price**

Any options not required subtract from Complete Bed Price.

- A. Formed Tailgate - \$150.00
- B. Tailgate Brackets - \$30.00 pair
- C. Front Steps - \$200.00 pair
- D. Center Window Guard - \$100.00



**\$11,728**

**All Options Bed**  
87 – 38 Skirted Flatbed  
w/Toolboxes  
**15” Deep**

4 – 39” Taper Toolboxes

**Optional Parts included in price**

Any options not required subtract from Complete Bed Price.

- A. Formed Tailgate - \$150.00
- B. Tailgate Brackets - \$30.00 pair
- C. Front Steps - \$200.00 pair
- D. Center Window Guard - \$100.00

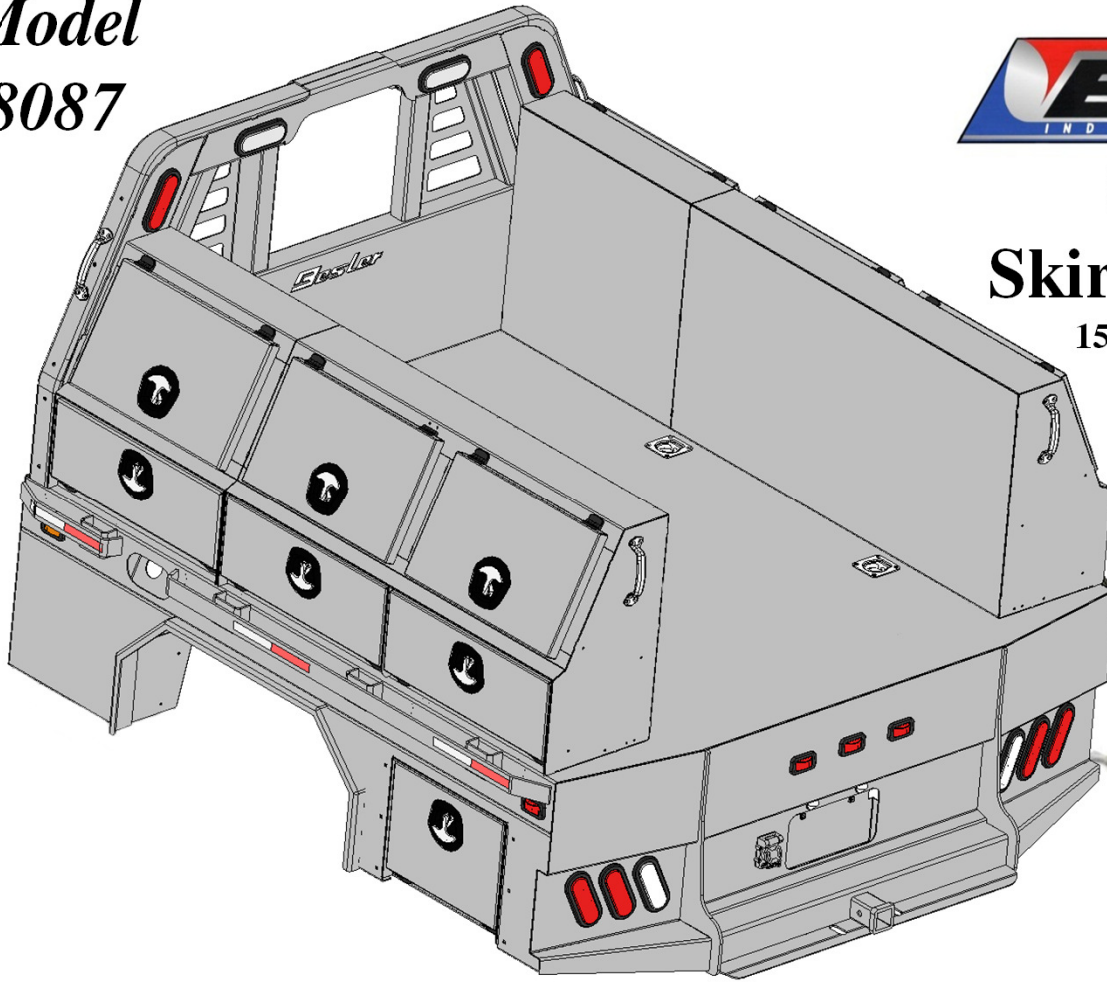
**Model**  
**8087**



**87" - 38**

# Skirted Flatbed

15" Contractor Box



Base Price

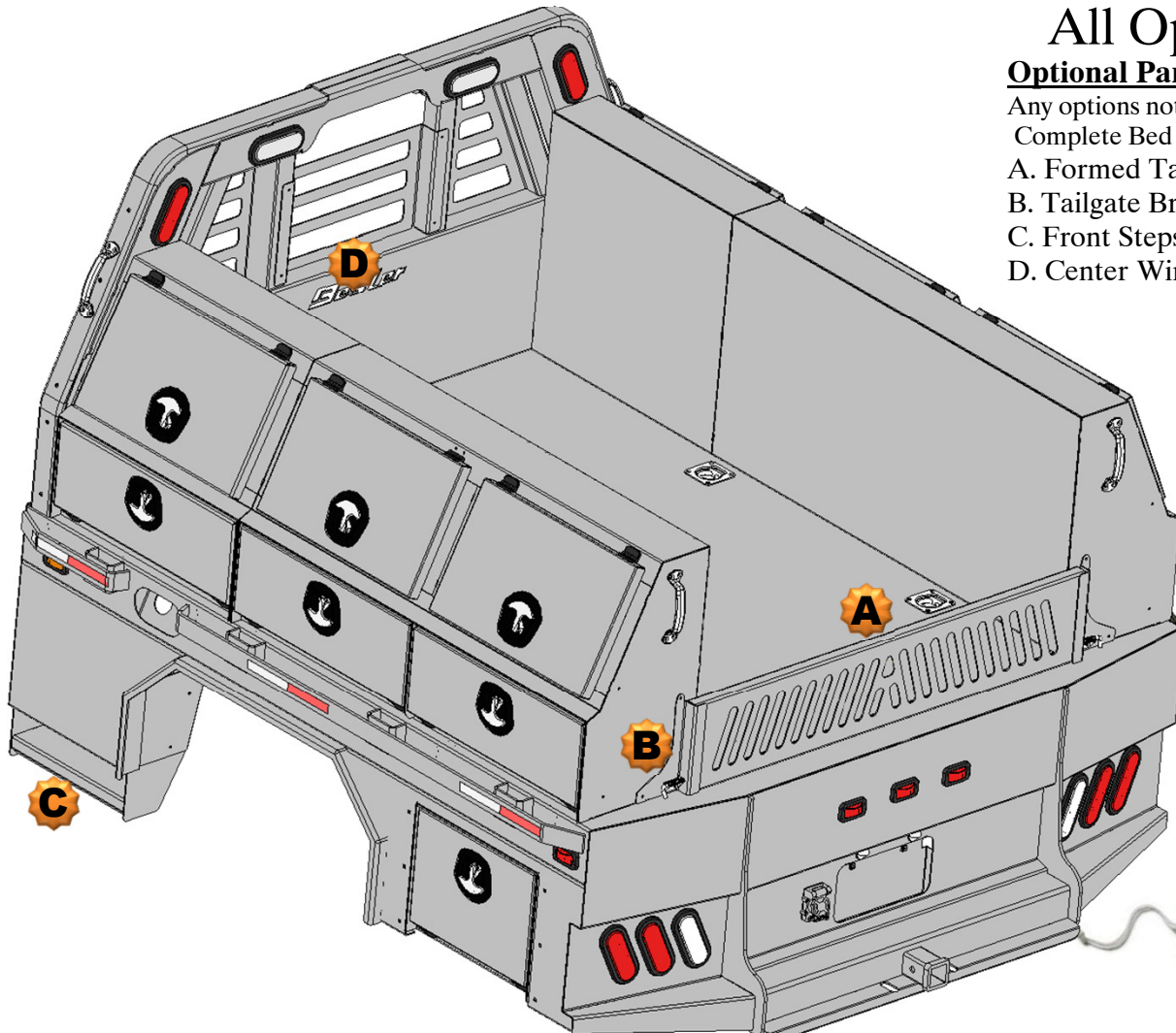
**\$15,908**

## All Options Bed

### Optional Parts included in price

Any options not required subtract from Complete Bed Price.

- A. Formed Tailgate - \$150.00
- B. Tailgate Brackets - \$30.00 pair
- C. Front Steps - \$200.00 pair
- D. Center Window Guard - \$100.00



**\$16,388**

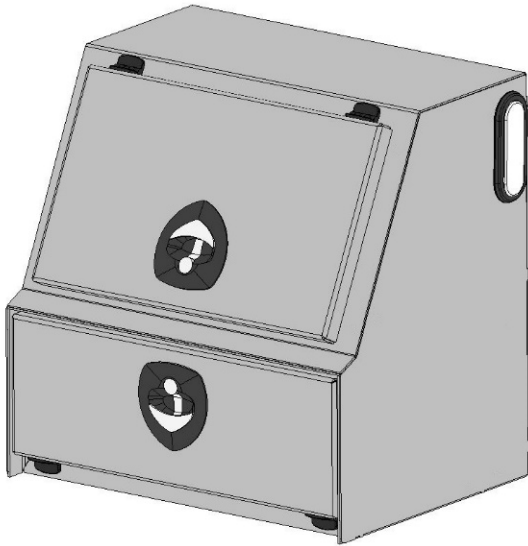




# 87" Flatbed

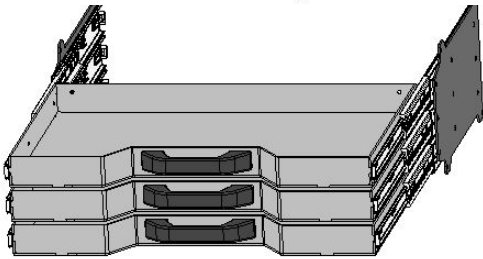
## Price and configurations

### With 20" Deep Tool boxes

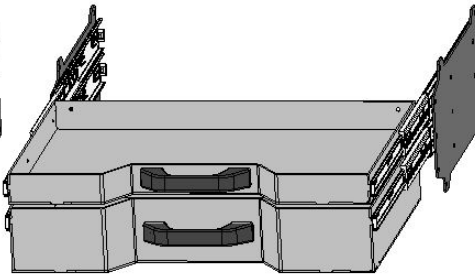


#### Front Mount Tool box

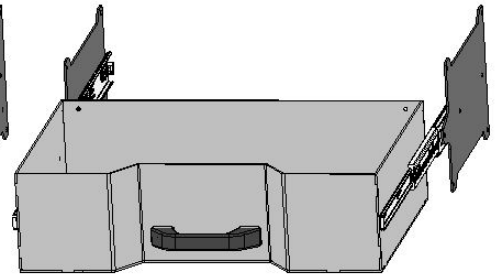
- 27" x 20" Deep
- Drawers Available 1, 2 or 3 drawers
- Drawer kits can be added later
- Can be ordered with or without Backup light.
- Gas Shocks on Top door
- Screwdriver holders on shelf
- Wrench rack on the top back panel



3 drawers 1-3/4" deep



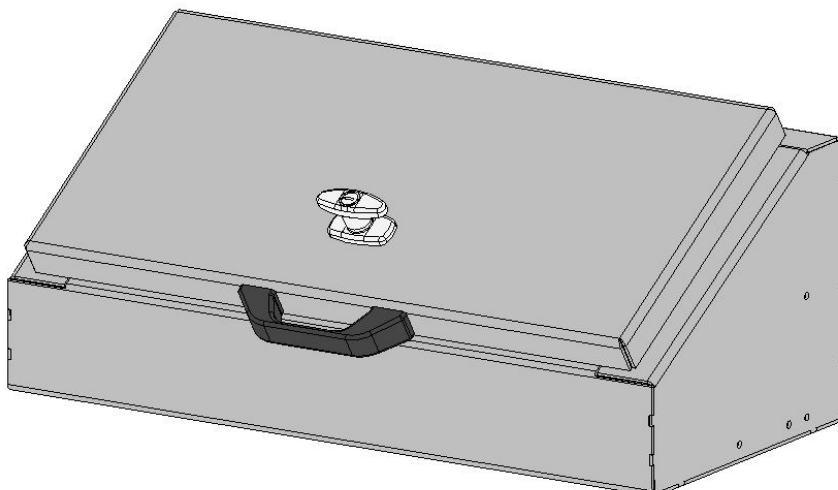
1 drawer 1-3/4" deep  
1 drawer 3-7/8" deep



1 drawer 6" deep

**CAUTION**

The front mount tool box is 27" tall. On an 87" bed there may be a clearance issue if you plan on pulling a gooseneck trailer. Depending on the style of gooseneck.



#### Top Taper Tool boxes

##### Available lengths

- 26"
- 34"
- 39"
- 46"
- 52"
- 68"
- 78"

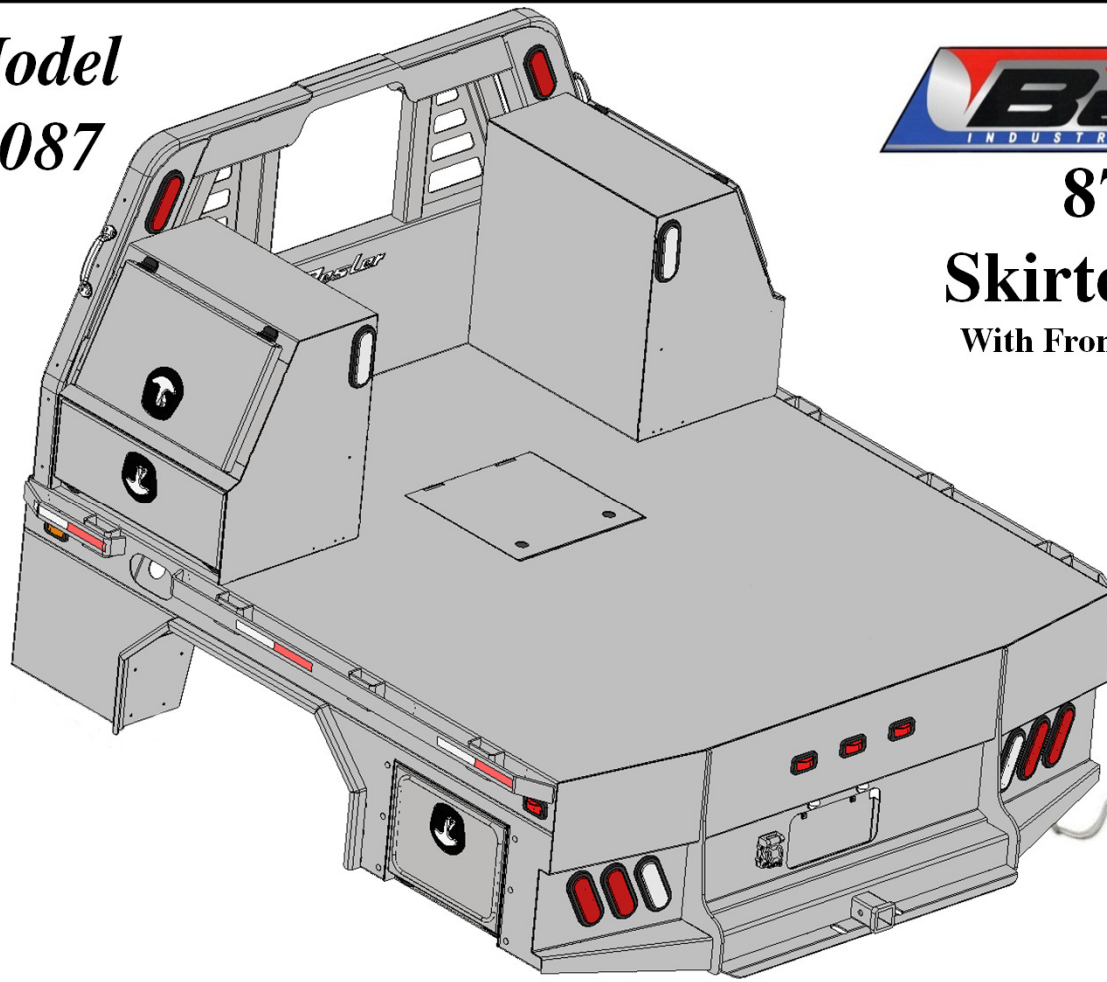
**Model**  
**8087**



**87" - 38**

## Skirted Flatbed

With Front Mount Toolboxes  
20" Deep



Base Price

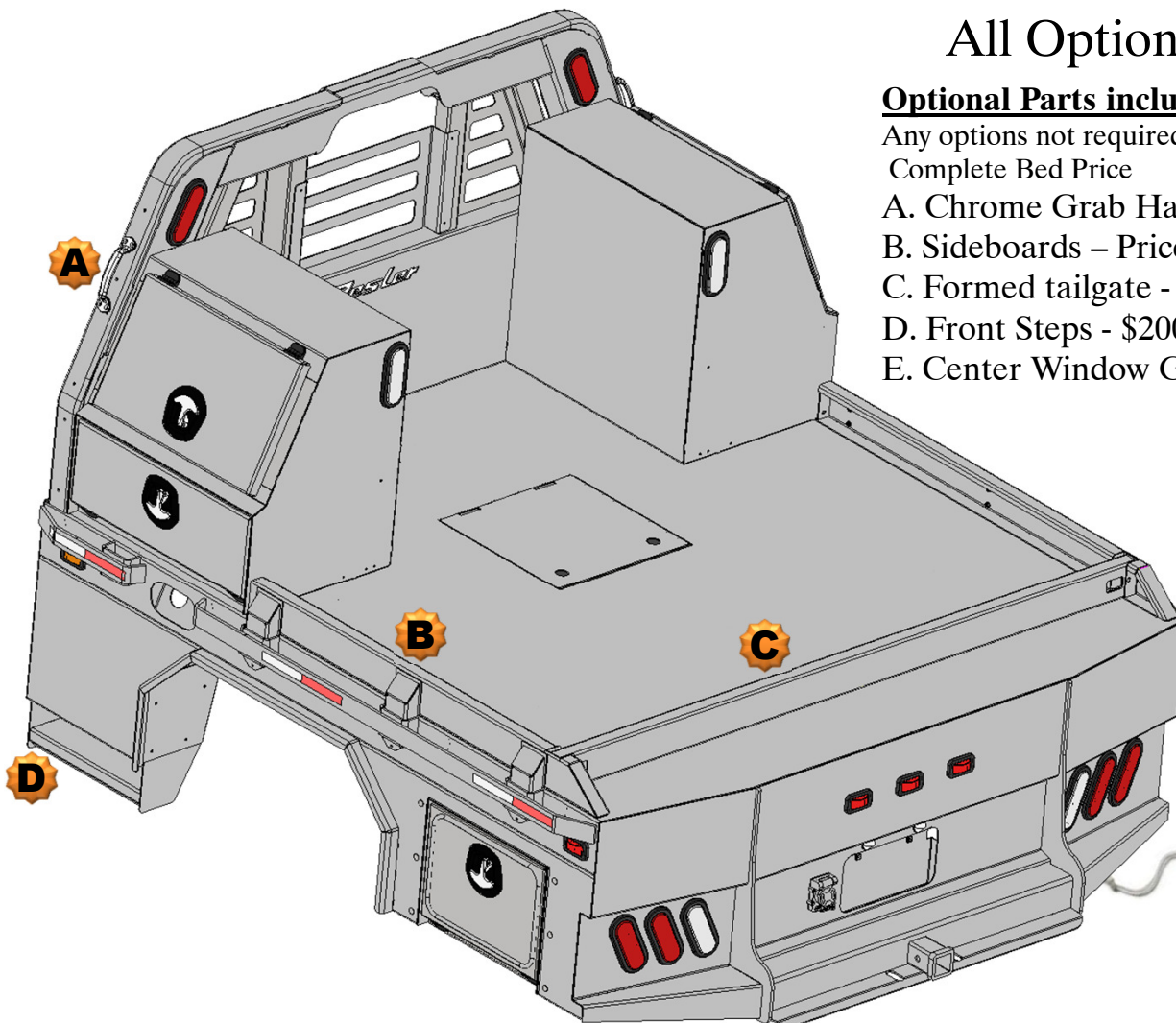
**\$10,438**

## All Options Bed

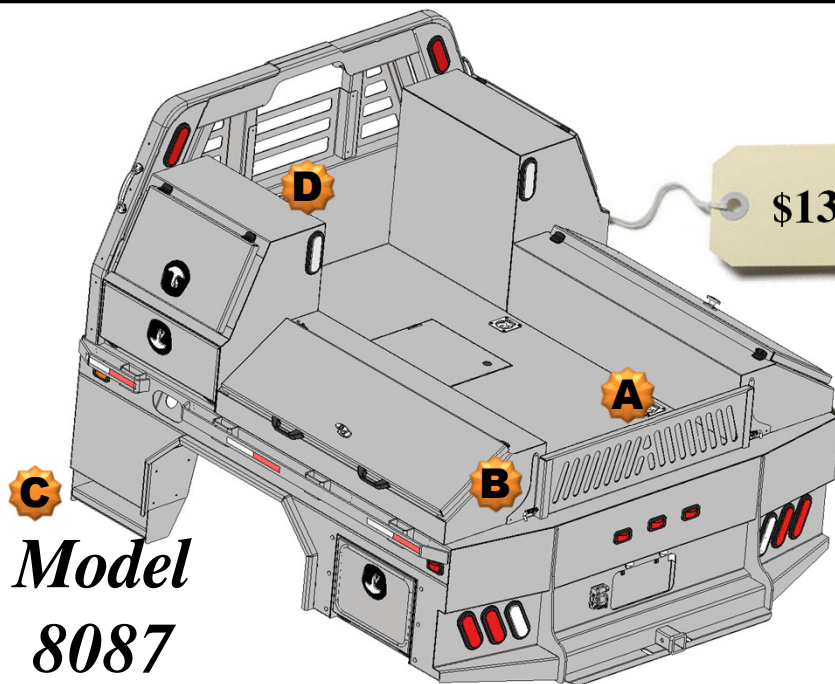
### Optional Parts included in price

Any options not required subtract from Complete Bed Price

- A. Chrome Grab Handles – \$46.00 pair
- B. Sideboards – Price: \$650.00 – Pair
- C. Formed tailgate - \$150.00
- D. Front Steps - \$200.00
- E. Center Window Guard - \$100.00



**\$11,584**



**Model  
8087**

**\$13,238**

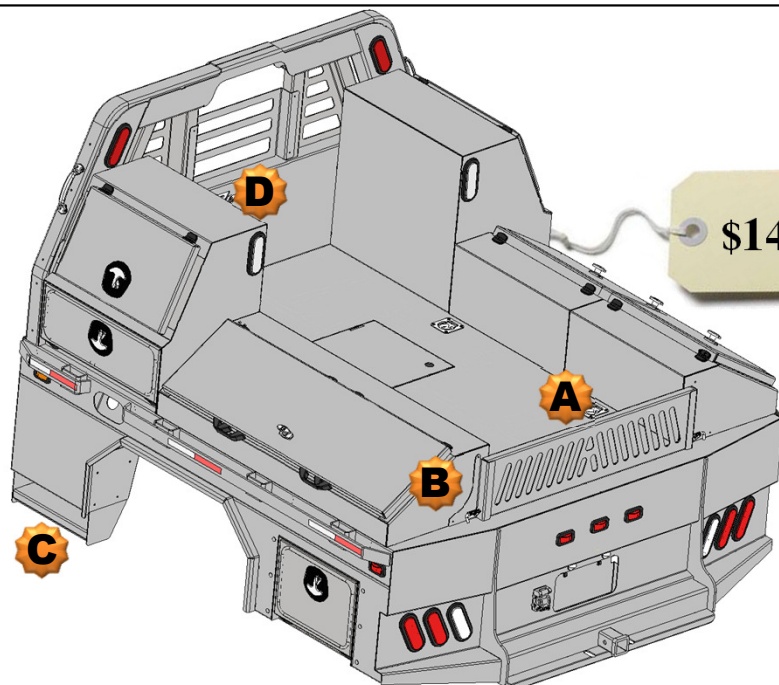
**All Options Bed  
87 – 38 Skirted Flatbed  
w/Toolboxes  
20” Deep**

**2 – 27” Front Mount Toolboxes  
2 – 52” Taper Toolboxes**

**Optional Parts included in price**

Any options not required subtract from Complete Bed Price.

- A. Formed Tailgate - \$150.00
- B. Tailgate Brackets - \$30.00 pair
- C. Front Steps - \$200.00 pair
- D. Center Window Guard - \$100.00



**\$14,168**

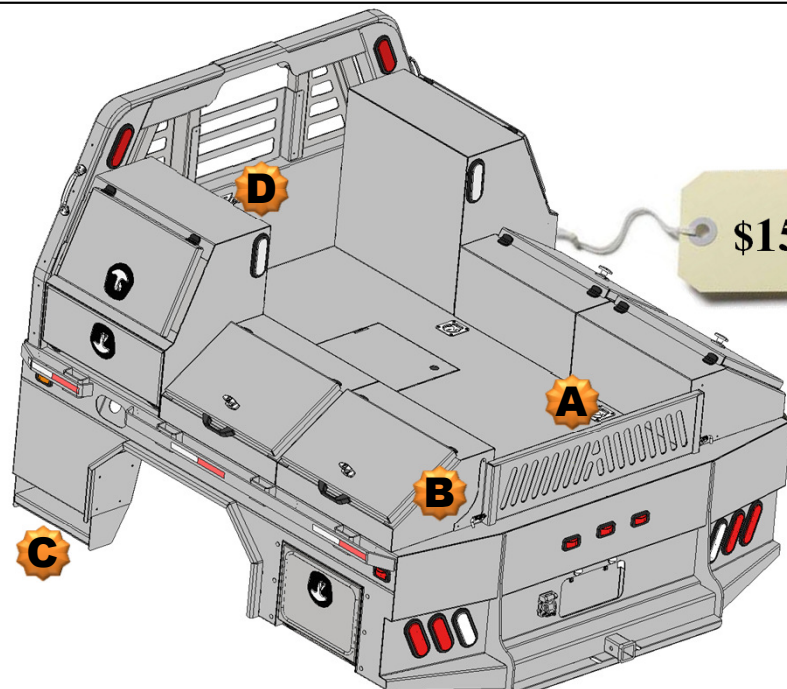
**All Options Bed  
87 – 38 Skirted Flatbed  
w/Toolboxes  
20” Deep**

**2 – 27” Front Mount Toolboxes  
1 – 52” Taper Toolbox  
2 – 26” Taper Toolbox**

**Optional Parts included in price**

Any options not required subtract from Complete Bed Price.

- A. Formed Tailgate - \$150.00
- B. Tailgate Brackets - \$30.00 pair
- C. Front Steps - \$200.00 pair
- D. Center Window Guard - \$100.00



**\$15,298**

**All Options Bed  
87 – 38 Skirted Flatbed  
w/Toolboxes  
20” Deep**

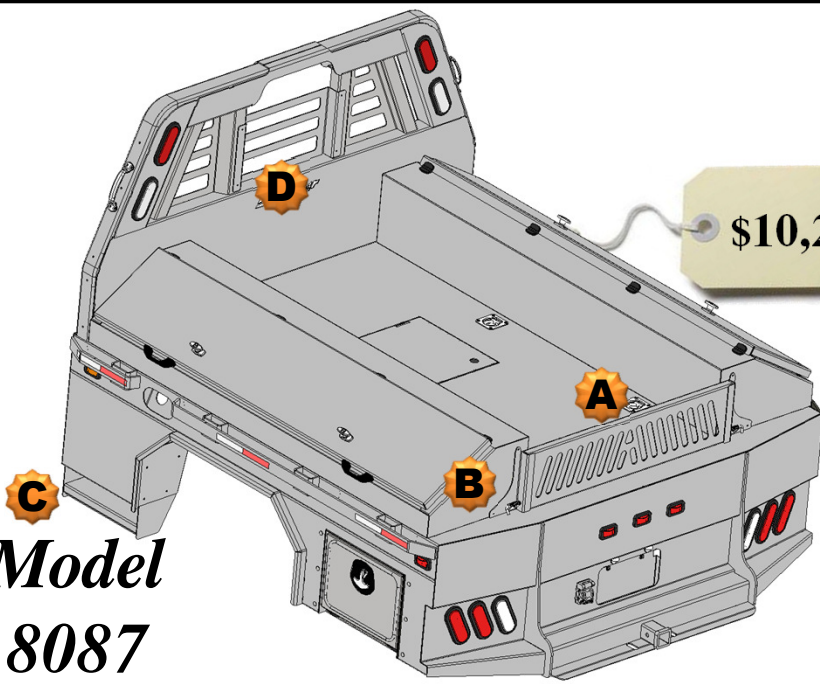
**2 – 27” Front Mount Toolboxes  
4 – 26” Taper Toolboxes**

**Optional Parts included in price**

Any options not required subtract from Complete Bed Price.

- A. Formed Tailgate - \$150.00
- B. Tailgate Brackets - \$30.00 pair
- C. Front Steps - \$200.00 pair
- D. Center Window Guard - \$100.00

**Model  
8087**



**\$10,258**

**All Options Bed  
87 – 38 Skirted Flatbed  
w/Toolboxes  
20” Deep**

**2 – 52” Taper Toolboxes**

**Optional Parts included in price**

Any options not required subtract from Complete Bed Price.

- A. Formed Tailgate - \$150.00
- B. Tailgate Brackets - \$30.00 pair
- C. Front Steps - \$200.00 pair
- D. Center Window Guard - \$100.00

**All Options Bed  
87 – 38 Skirted Flatbed  
w/Toolboxes  
20” Deep**

**1 – 52” Taper Toolbox  
2 – 26” Taper Toolbox**

**Optional Parts included in price**

Any options not required subtract from Complete Bed Price.

- A. Formed Tailgate - \$150.00
- B. Tailgate Brackets - \$30.00 pair
- C. Front Steps - \$200.00 pair
- D. Center Window Guard - \$100.00

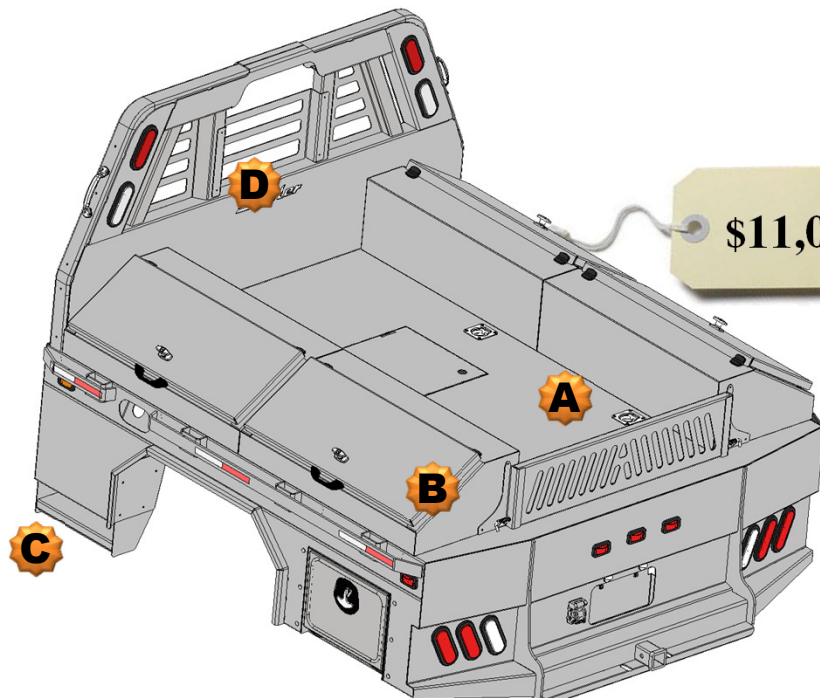
**All Options Bed  
87 – 38 Skirted Flatbed  
w/Toolboxes  
20” Deep**

**4 – 26” Taper Toolboxes**

**Optional Parts included in price**

Any options not required subtract from Complete Bed Price.

- A. Formed Tailgate - \$150.00
- B. Tailgate Brackets - \$30.00 pair
- C. Front Steps - \$200.00 pair
- D. Center Window Guard - \$100.00



**\$11,045**

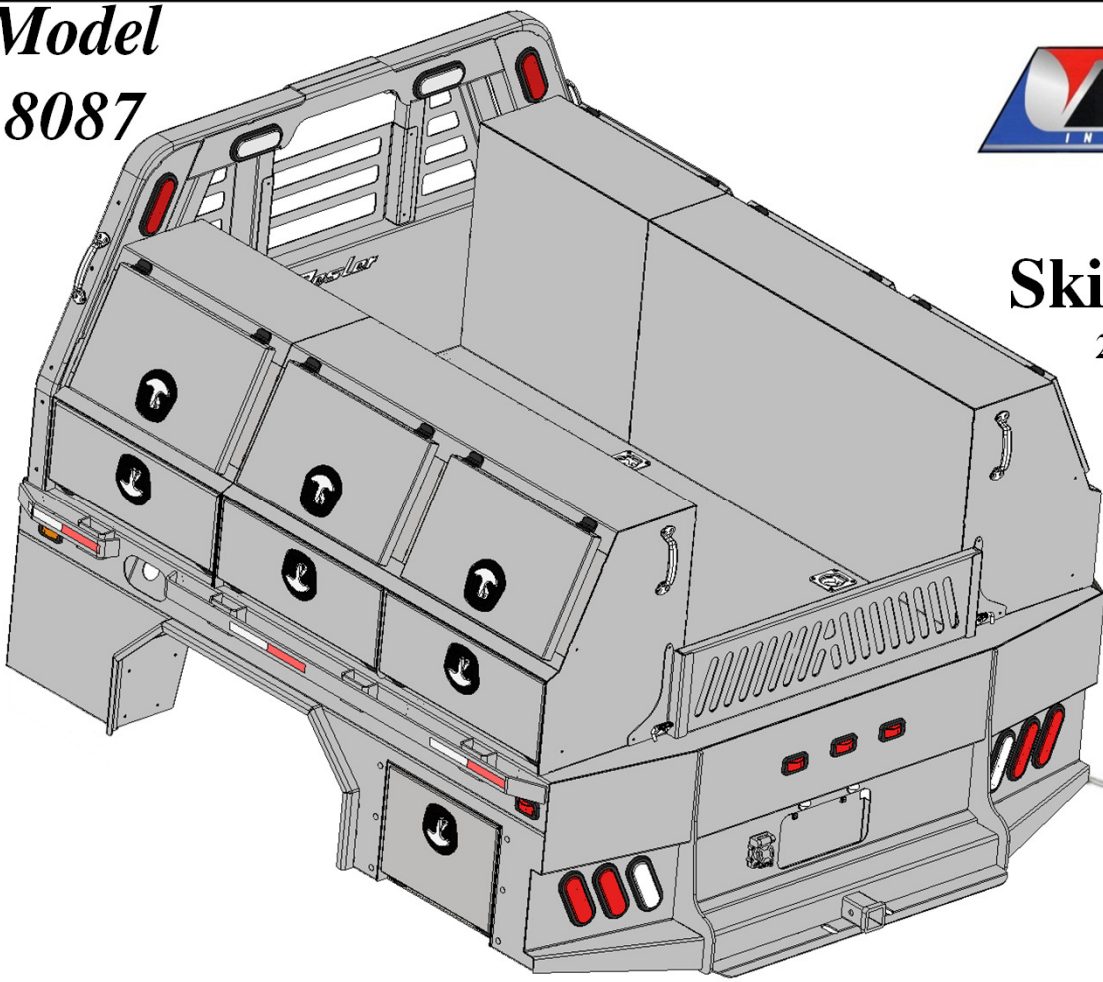
**Model**  
**8087**



**87" - 38**

# Skirted Flatbed

20" Contractor Box



Base Price

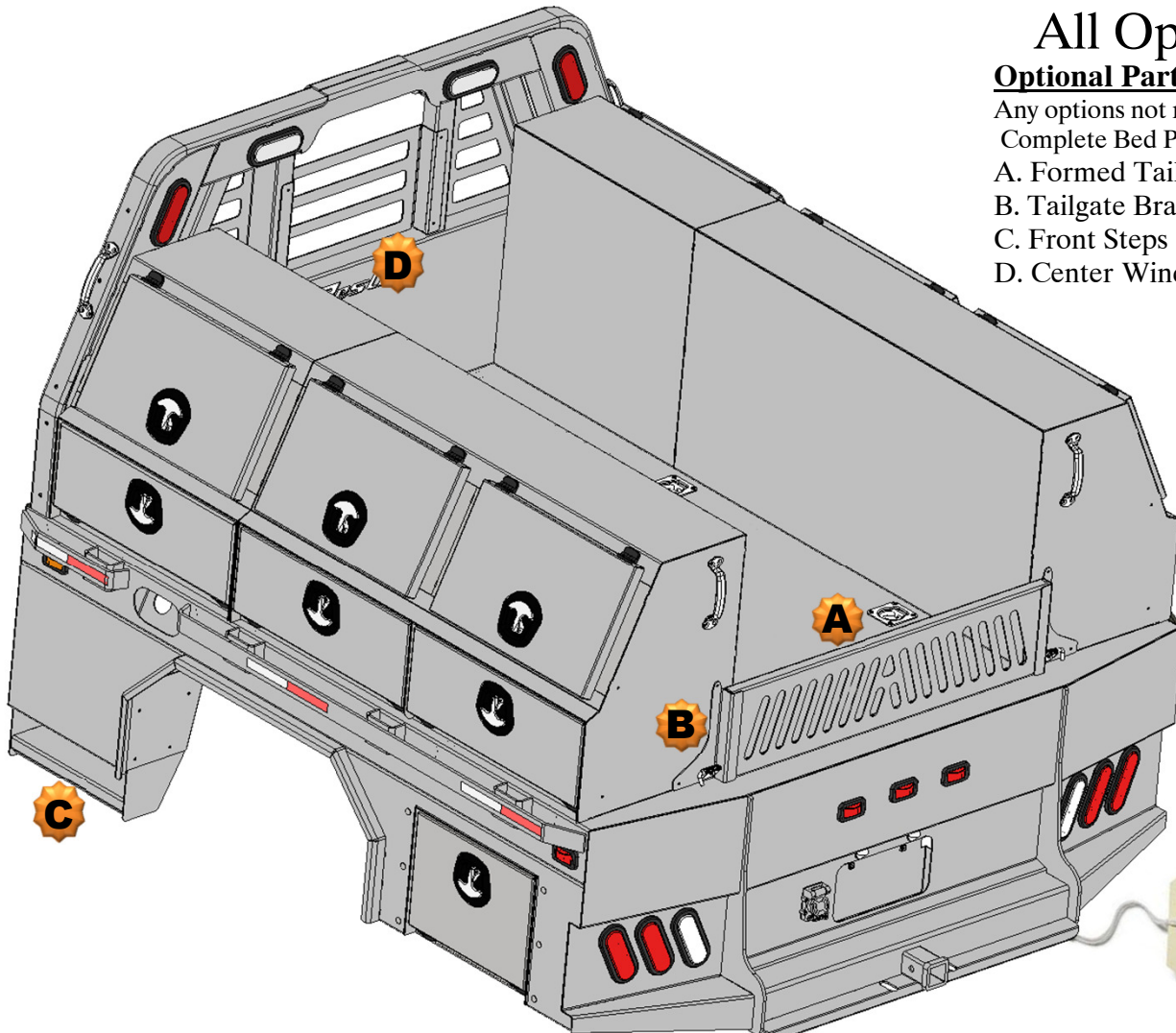
**\$17,218**

## All Options Bed

**Optional Parts included in price**

Any options not required subtract from Complete Bed Price.

- A. Formed Tailgate - \$150.00
- B. Tailgate Brackets - \$30.00 pair
- C. Front Steps - \$200.00 pair
- D. Center Window Guard - \$100.00



**\$17,698**