



62136 Series Flatbed

Options & Price Guide



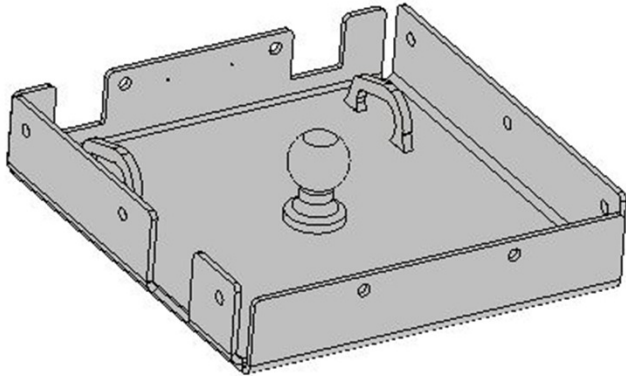


Fifth Wheel Options

Standard Recessed Ball

30,000 lbs 5th wheel ball included

\$200.00 Retail Price

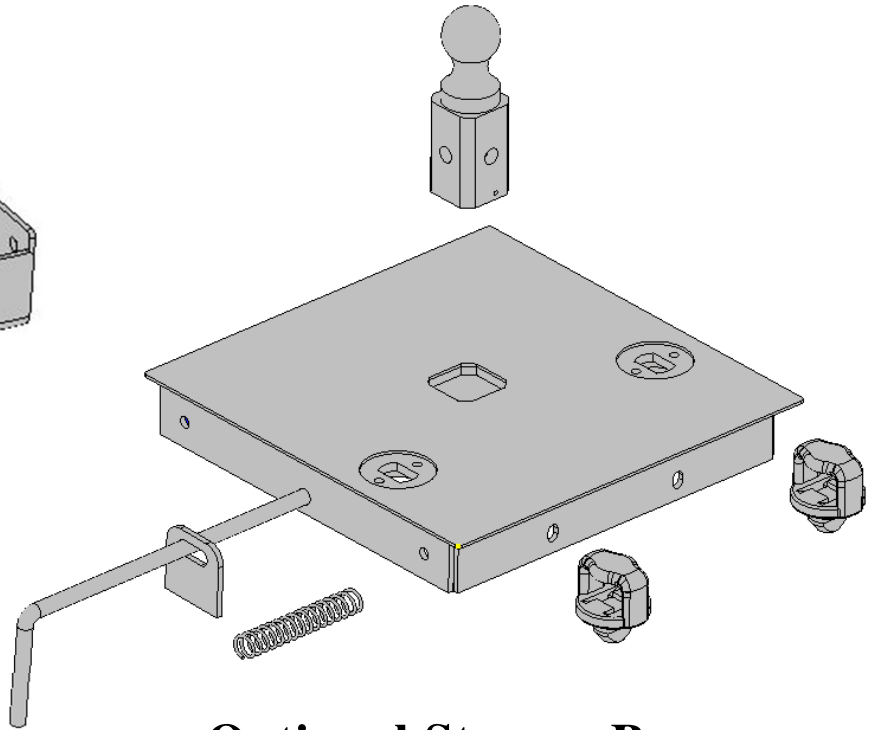


Optional Flush Mount

Flip Over Ball

Upgrade from standard

5th wheel - \$450.00

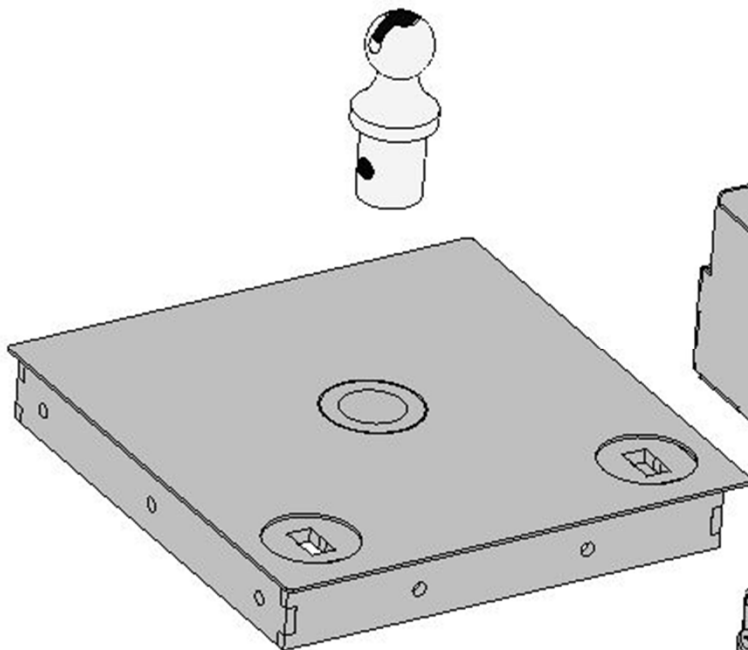


Optional Flush Mount For Drop In Ball

Upgrade from standard

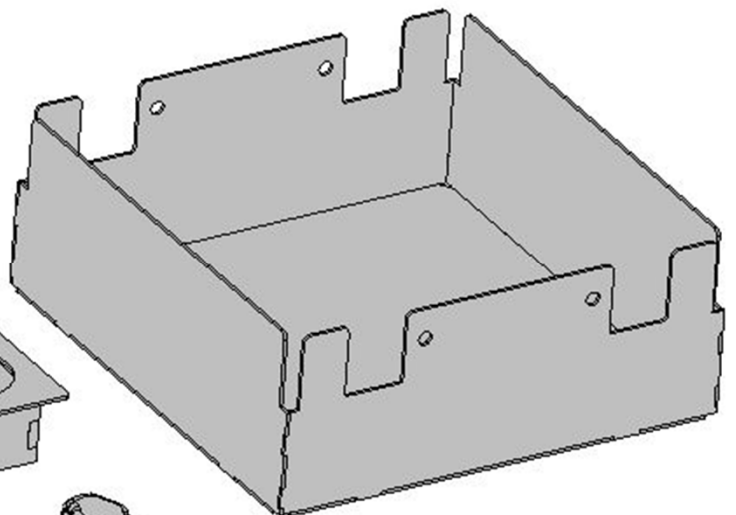
5th wheel - \$400.00

Ball and Puck \$300.00 Net



Optional Storage Box

\$190.00 Retail Price

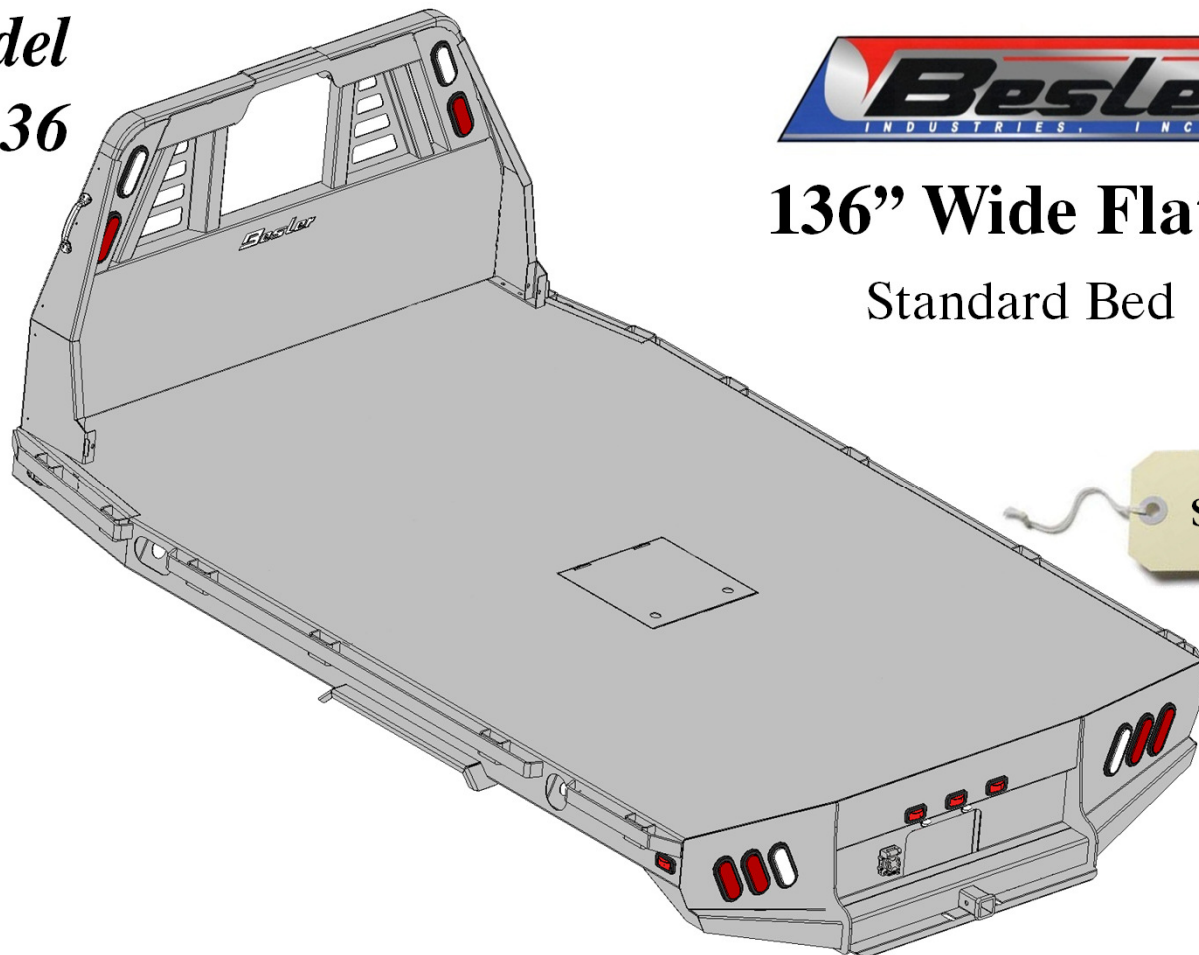


Model
62136



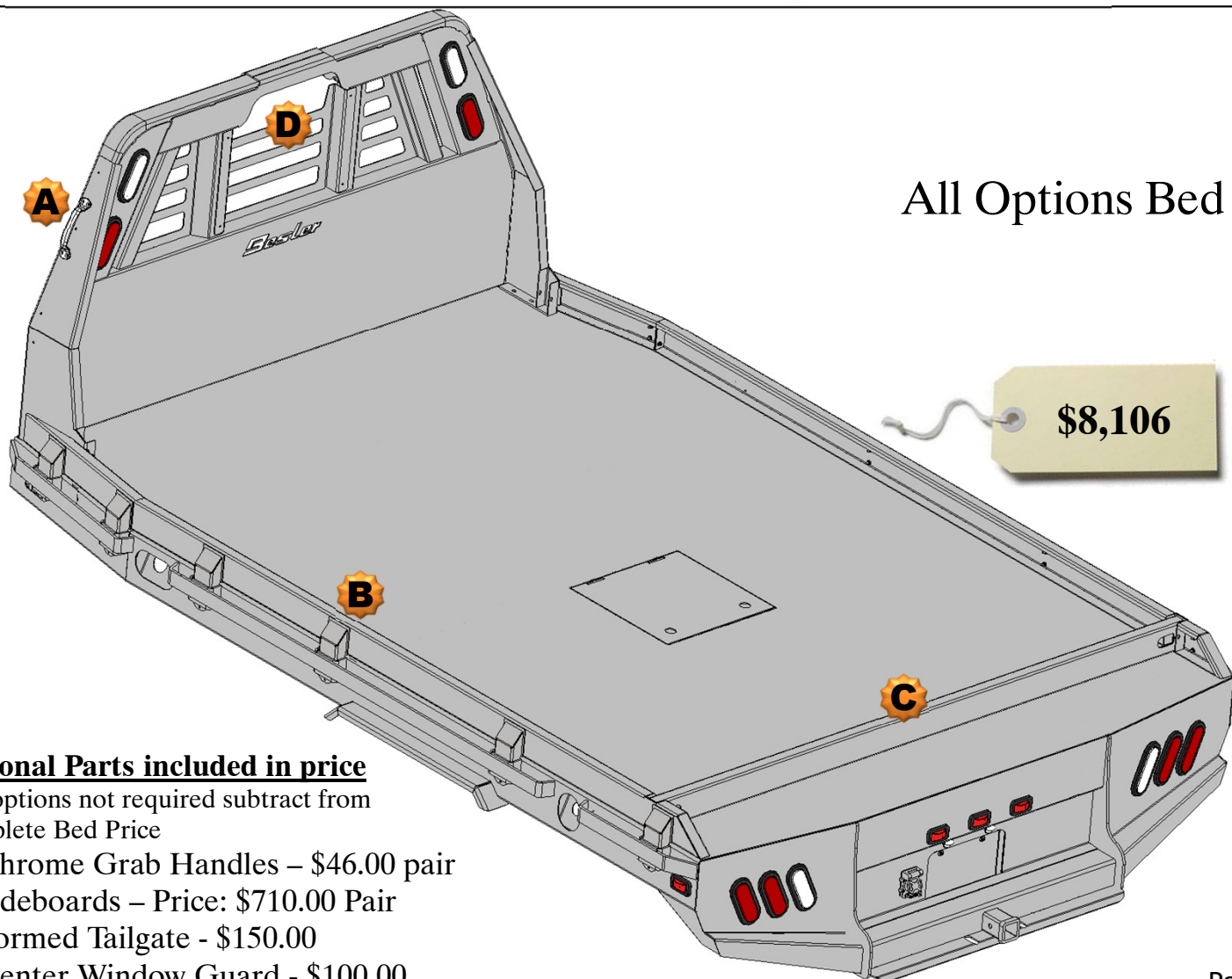
136" Wide Flatbed

Standard Bed



\$7,100

All Options Bed



\$8,106

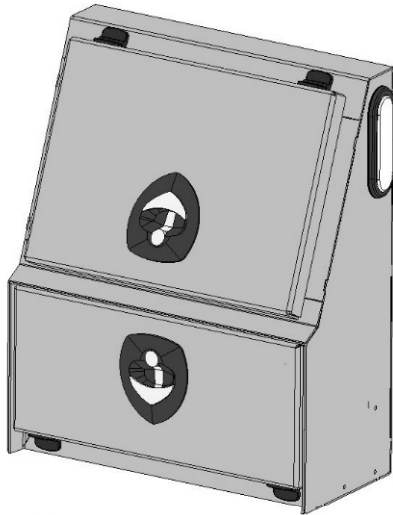
Optional Parts included in price

Any options not required subtract from Complete Bed Price

- A. Chrome Grab Handles – \$46.00 pair
- B. Sideboards – Price: \$710.00 Pair
- C. Formed Tailgate - \$150.00
- D. Center Window Guard - \$100.00

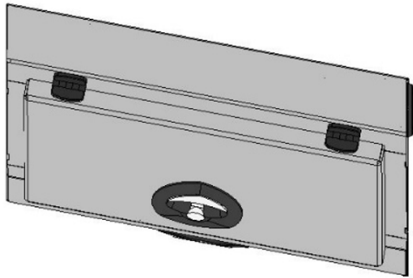


136" Wide Flatbed Price and configurations With 15" Deep Tool boxes

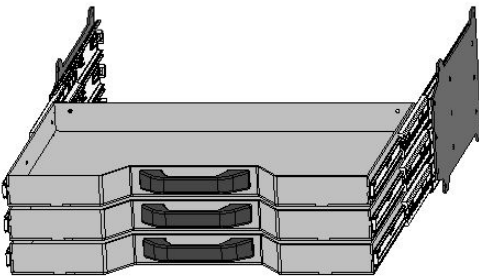


Front Mount Tool box

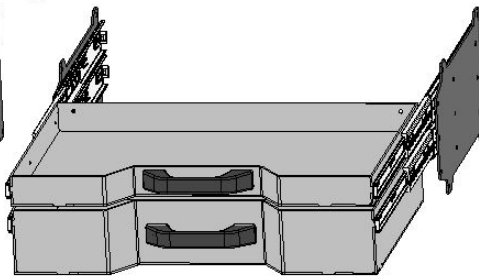
- 27" x 15" Deep
- Drawers Available 1, 2 or 3 drawers
- Drawer kits can be added later
- Can be ordered with or without Backup light.
- Gas Shocks on Top door
- Screwdriver holders on shelf
- Wrench rack on the top back panel



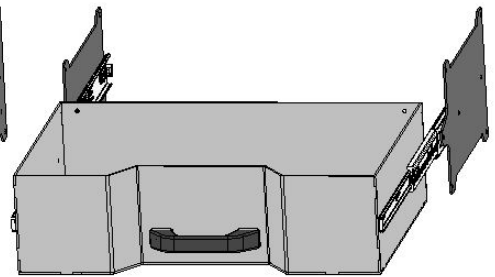
Front Mount Tool box is angled so that it fits flush against the headache Rack and matches the taper of the Wide bed and the top taper tool boxes
Can bolt up flush with no gaps.



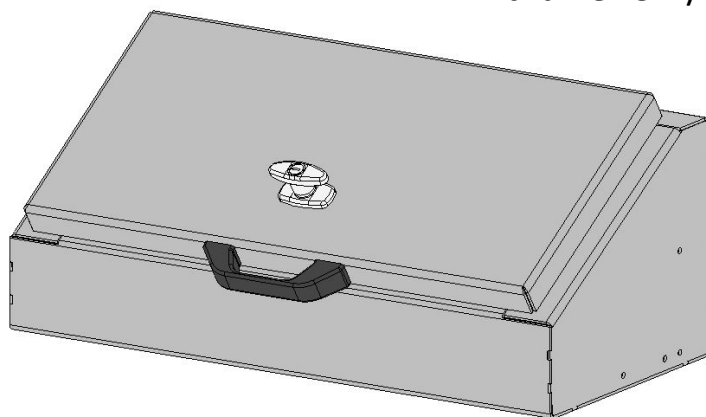
3 drawers 1-3/4" deep



1 drawer 1-3/4" deep
1 drawer 3-7/8" deep



1 drawer 6" deep



Top Taper Tool boxes Available lengths

- 26"
- 34"
- 39"
- 46"
- 52"
- 68"
- 78"

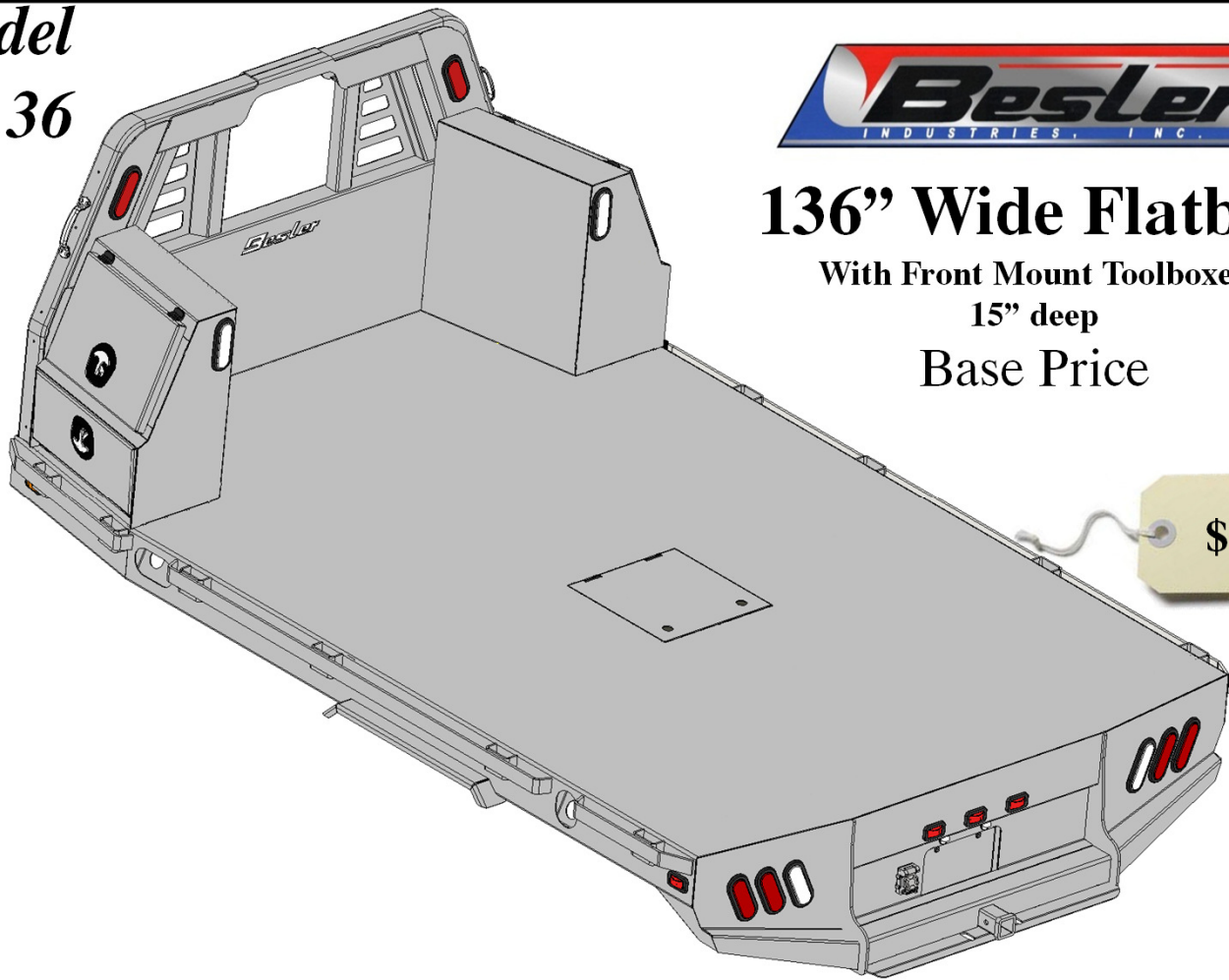
**Model
62136**



136" Wide Flatbed

With Front Mount Toolboxes
15" deep

Base Price



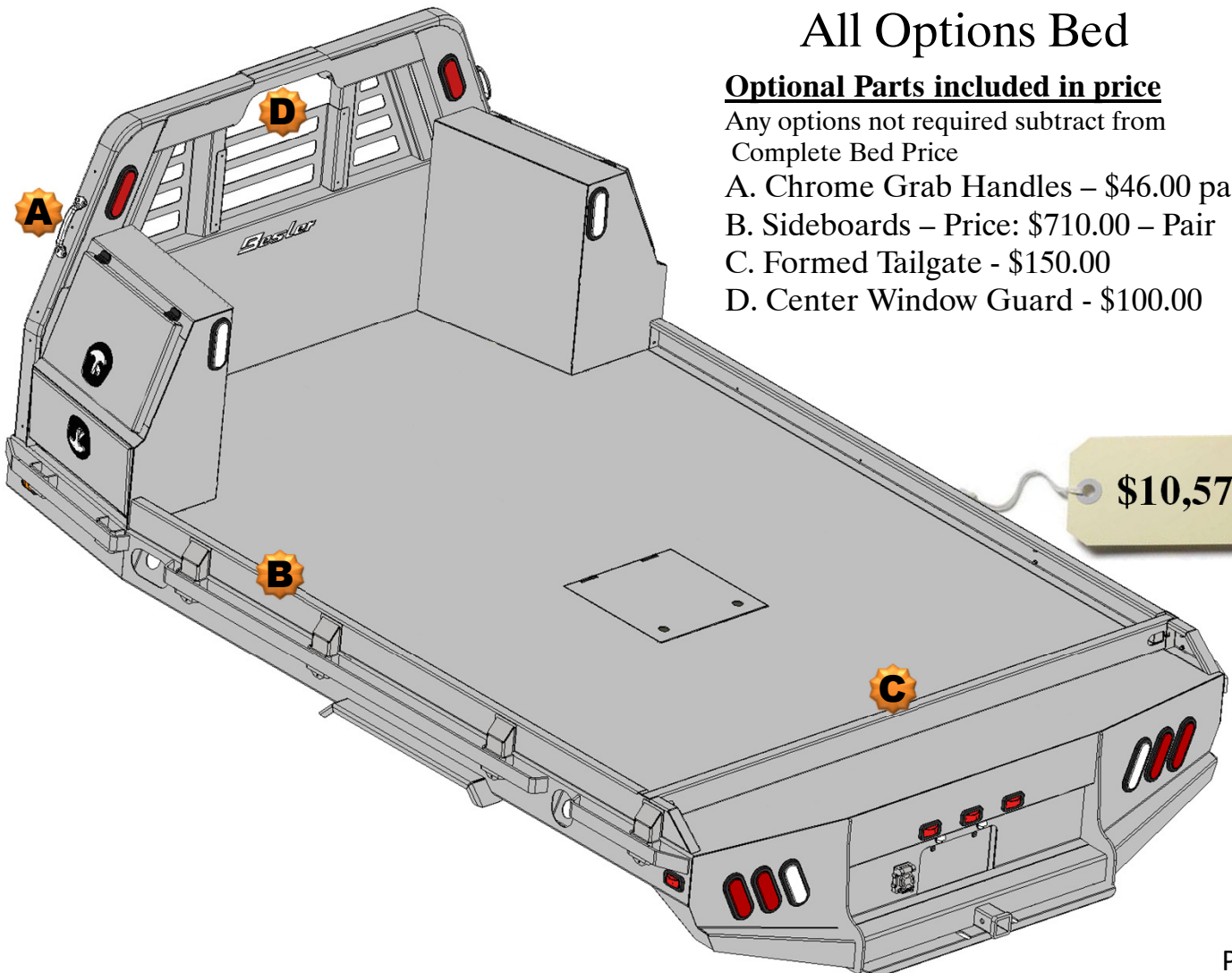
\$9,570

All Options Bed

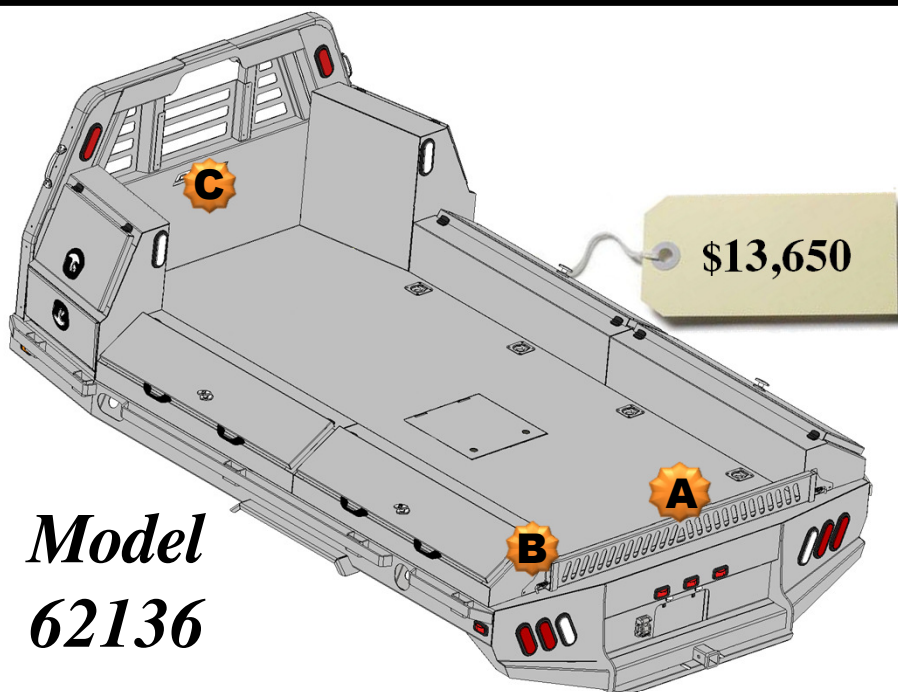
Optional Parts included in price

Any options not required subtract from Complete Bed Price

- A. Chrome Grab Handles – \$46.00 pair
- B. Sideboards – Price: \$710.00 – Pair
- C. Formed Tailgate - \$150.00
- D. Center Window Guard - \$100.00



\$10,576



**Model
62136**

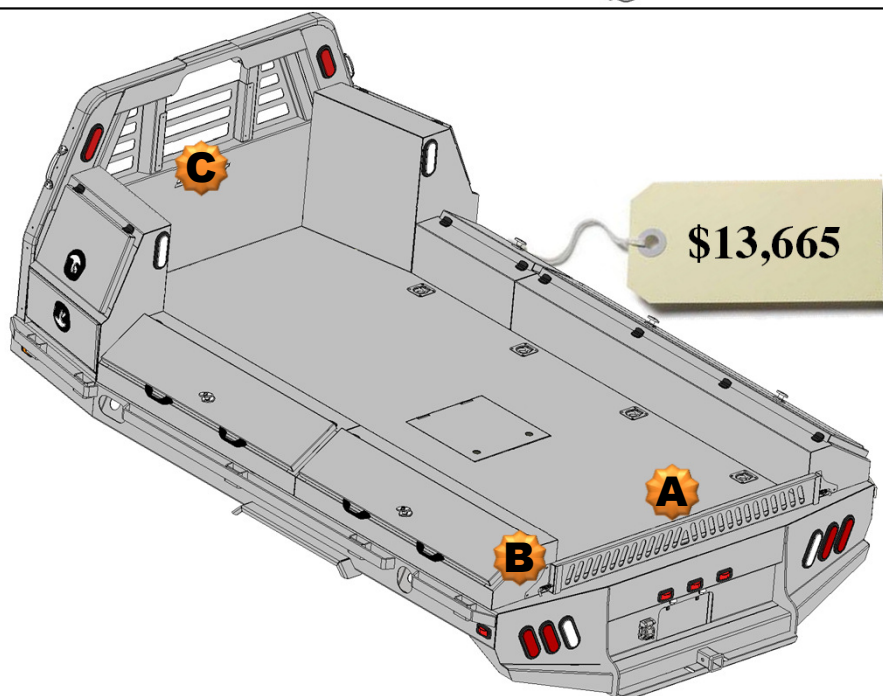
**All Options Bed
136 Wide Flatbed
w/Toolboxes
15" Deep**

**2 - 24" Front Mnt Toolboxes
4 - 52" Taper Toolboxes**

Optional Parts included in price

Any options not required subtract from Complete Bed Price.

- A. Formed Tailgate - \$150.00
- B. Tailgate Brackets - \$30.00 pair
- C. Center Window Guard - \$100.00



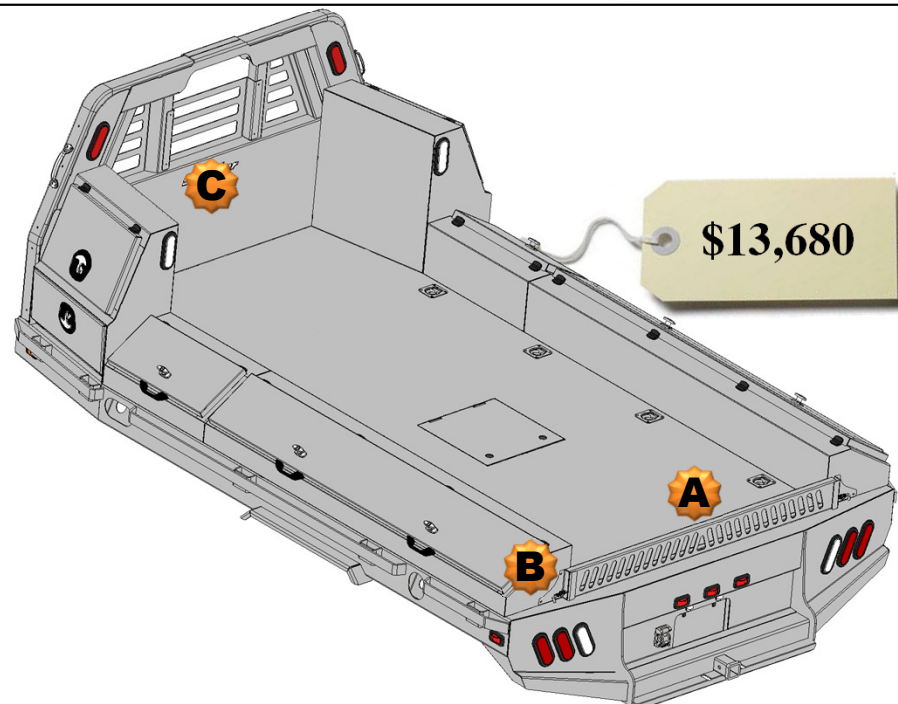
**All Options Bed
136 Wide Flatbed
w/Toolboxes
15" Deep**

**2 - 24" Front Mnt Toolboxes
1 - 78" Taper Toolbox
1 - 26" Taper Toolbox
2 - 52" Taper Toolboxes**

Optional Parts included in price

Any options not required subtract from Complete Bed Price.

- A. Formed Tailgate - \$150.00
- B. Tailgate Brackets - \$30.00 pair
- C. Center Window Guard - \$100.00



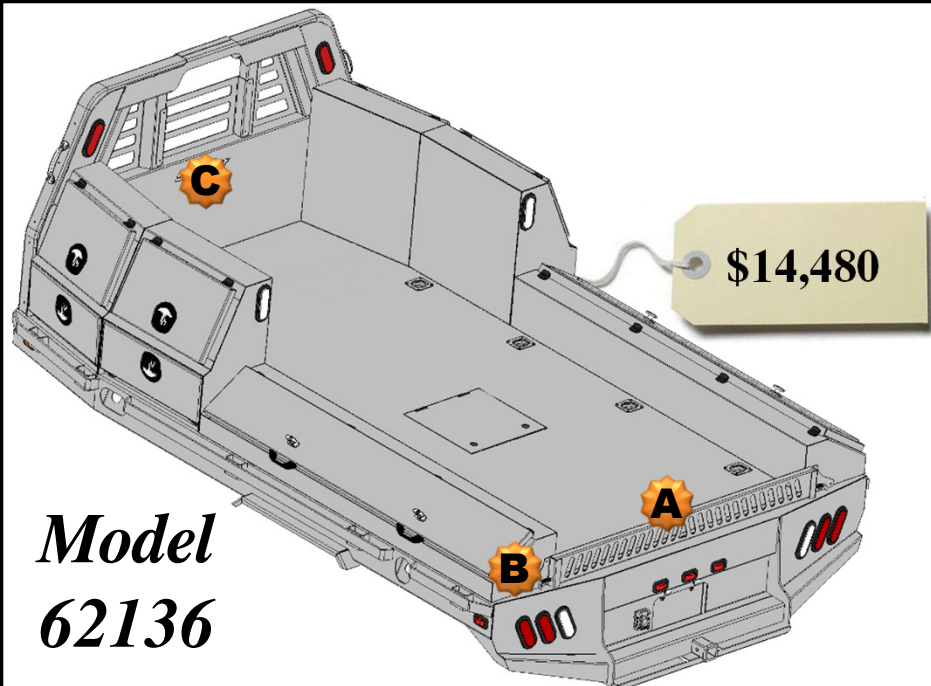
**All Options Bed
136 Wide Flatbed
w/Toolboxes
15" Deep**

**2 - 24" Front Mnt Toolboxes
2 - 78" Taper Toolboxes
2 - 26" Taper Toolboxes**

Optional Parts included in price

Any options not required subtract from Complete Bed Price.

- A. Formed Tailgate - \$150.00
- B. Tailgate Brackets - \$30.00 pair
- C. Center Window Guard - \$100.00

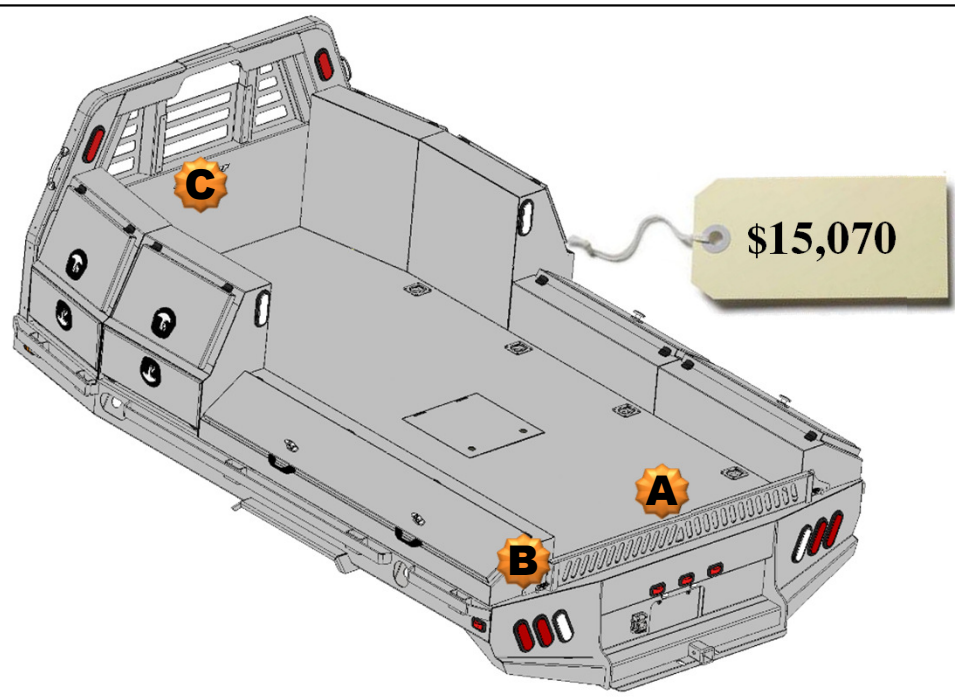


**Model
62136**

**All Options Bed
136 Wide Flatbed
w/Toolboxes
15" Deep**

- 2 – 24" Front Mnt Toolboxes**
- 2 – 27" Front Mnt Toolboxes**
- 2 – 78" Taper Toolboxes**

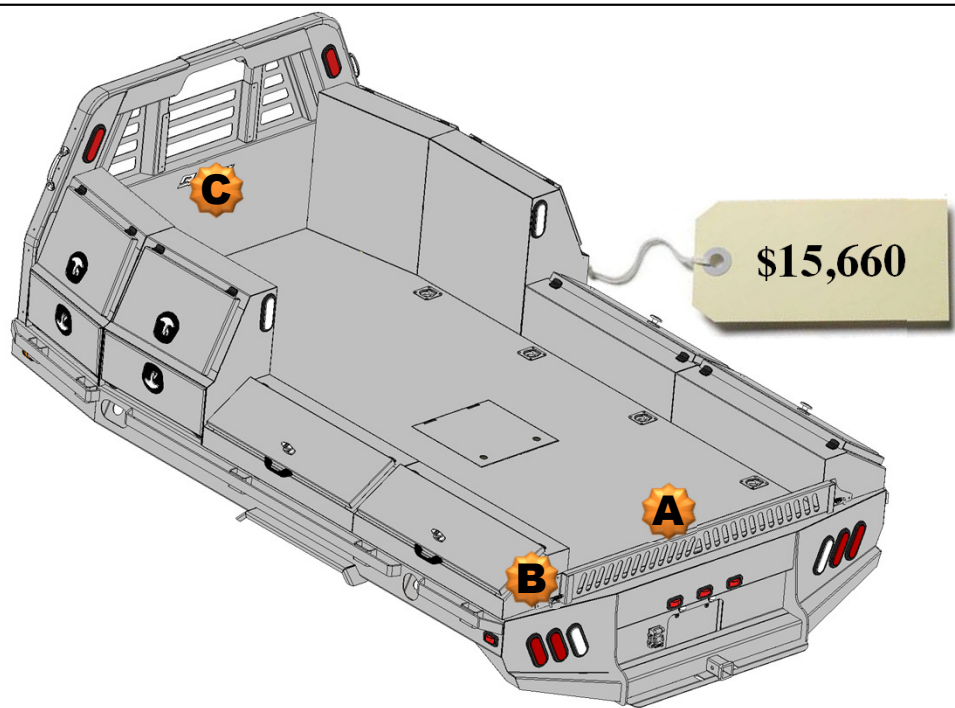
Optional Parts included in price
Any options not required subtract from Complete Bed Price.
A. Formed Tailgate - \$150.00
B. Tailgate Brackets - \$30.00 pair
C. Center Window Guard - \$100.00



**All Options Bed
136 Wide Flatbed
w/Toolboxes
15" Deep**

- 2 – 24" Front Mnt Toolboxes**
- 2 – 27" Front Mnt Toolboxes**
- 1 – 78" Taper Toolbox**
- 2 – 39" Taper Toolboxes**

Optional Parts included in price
Any options not required subtract from Complete Bed Price.
A. Formed Tailgate - \$150.00
B. Tailgate Brackets - \$30.00 pair
C. Center Window Guard - \$100.00



**All Options Bed
136 Wide Flatbed
w/Toolboxes
15" Deep**

- 2 – 24" Front Mnt Toolboxes**
- 2 – 27" Front Mnt Toolboxes**
- 4 – 39" Taper Toolboxes**

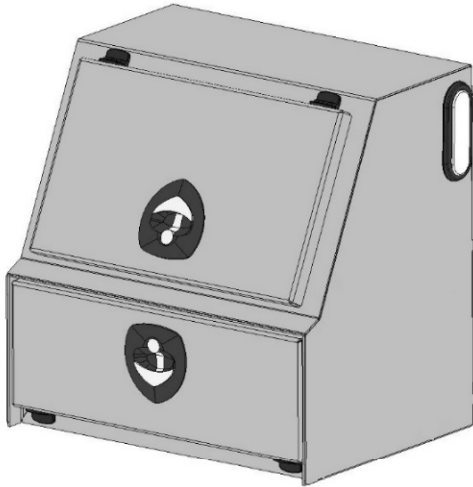
Optional Parts included in price
Any options not required subtract from Complete Bed Price.
A. Formed Tailgate - \$150.00
B. Tailgate Brackets - \$30.00 pair
C. Center Window Guard - \$100.00



136" Wide Flatbed

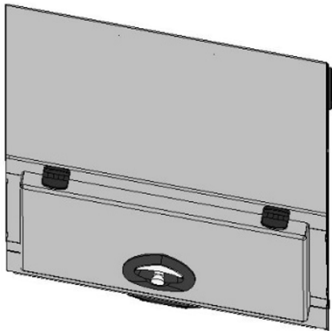
Price and configurations

With 20" Deep Tool boxes

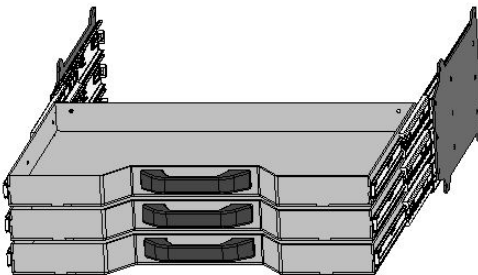


Front Mount Tool box

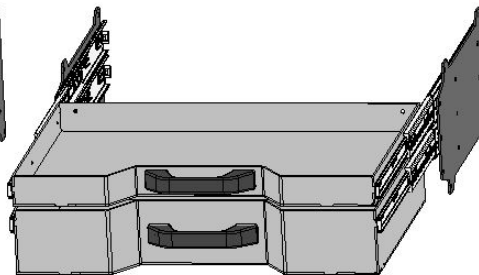
- 27" x 20" Deep
- Drawers Available 1, 2 or 3 drawers
- Drawer kits can be added later
- Can be ordered with or without Backup light.
- Gas Shocks on Top door
- Screwdriver holders on shelf
- Wrench rack on the top back panel



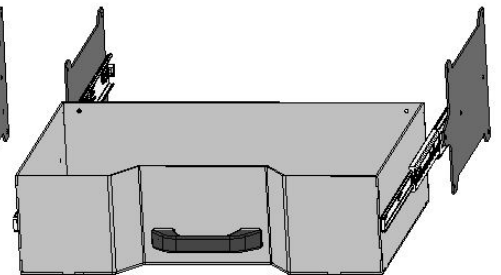
Front Mount Tool box is angled so That it fits flush against the headache Rack and matches the taper of the Wide bed and the top taper tool boxes Can bolt up flush with no gaps.



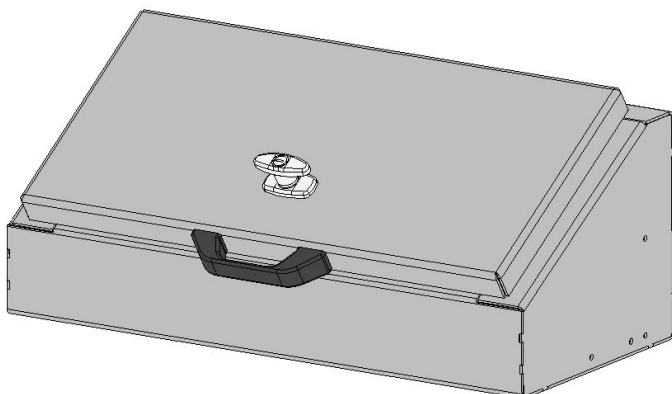
3 drawers 1-3/4" deep



1 drawer 1-3/4" deep
1 drawer 3-7/8" deep



1 drawer 6" deep



Top Taper Tool boxes

Available lengths

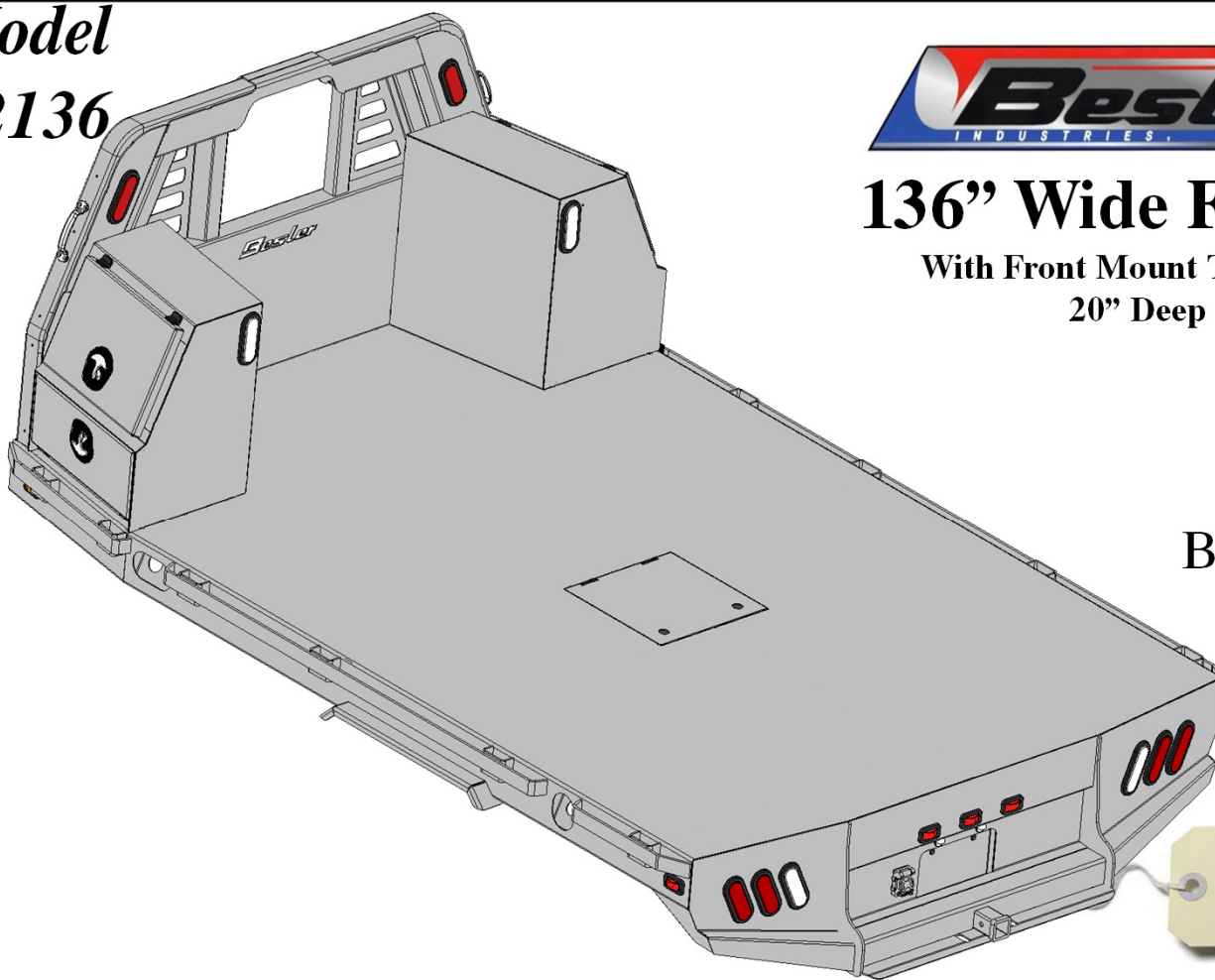
- 26"
- 34"
- 39"
- 46"
- 52"
- 68"
- 78"

Model
62136



136" Wide Flatbed

With Front Mount Toolboxes
20" Deep



Base Price

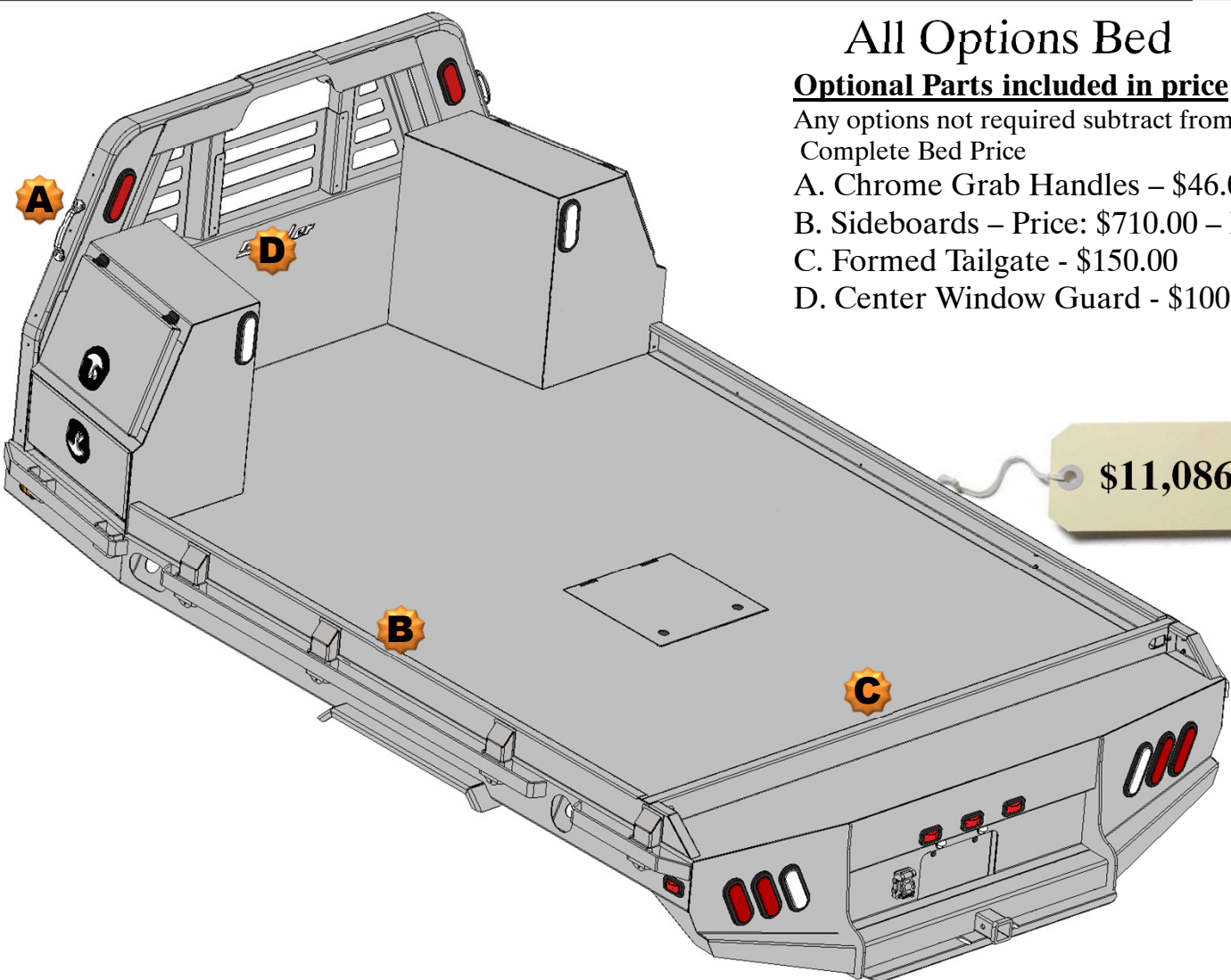
\$10,080

All Options Bed

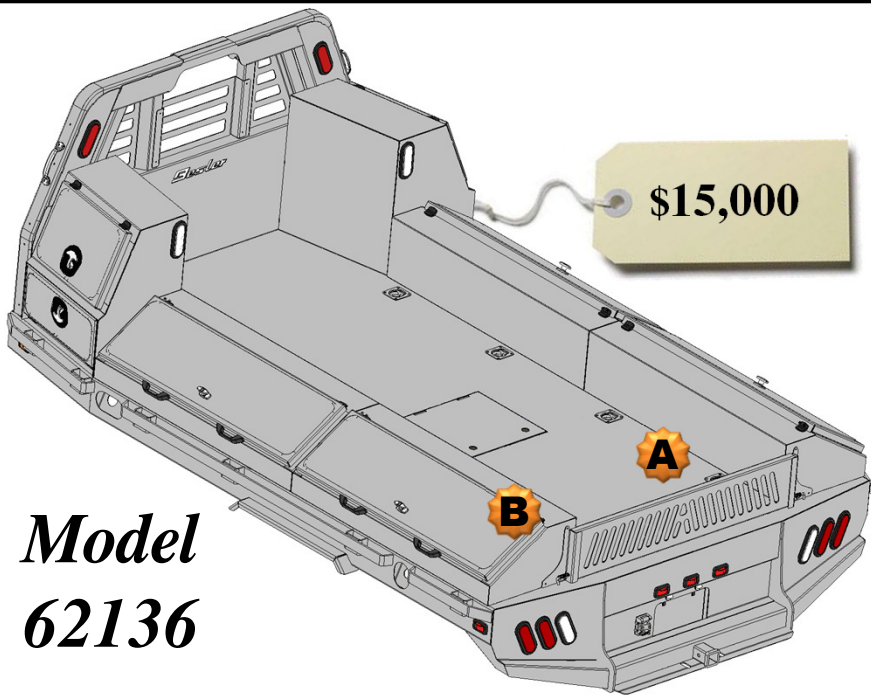
Optional Parts included in price

Any options not required subtract from Complete Bed Price

- A. Chrome Grab Handles – \$46.00 pair
- B. Sideboards – Price: \$710.00 – Pair
- C. Formed Tailgate - \$150.00
- D. Center Window Guard - \$100.00



\$11,086



**Model
62136**

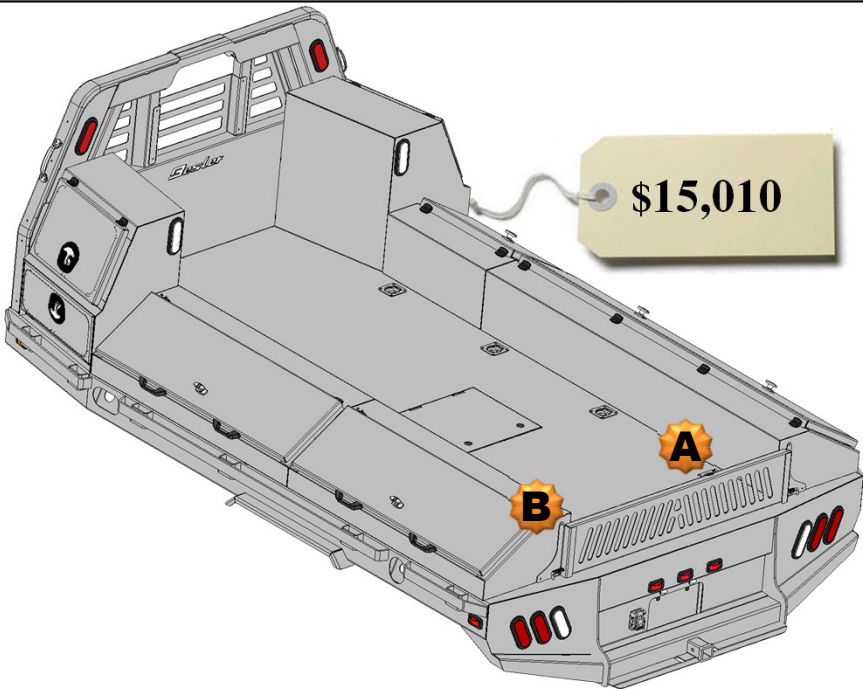
**All Options Bed
136 Wide Flatbed
w/Toolboxes
20" Deep**

- 2 – 24" Front Mnt Toolboxes**
- 4 – 52" Taper Toolboxes**

Optional Parts included in price

Any options not required subtract from Complete Bed Price.

- A. Formed Tailgate - \$150.00
- B. Tailgate Brackets - \$30.00 pair
- C. Center Window Guard - \$100.00



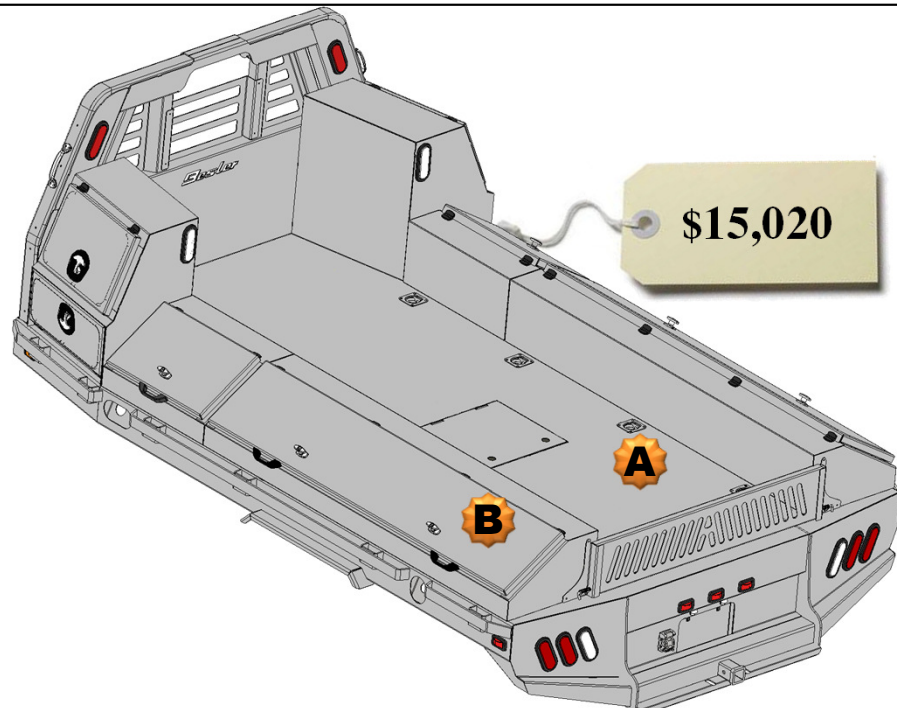
**All Options Bed
136 Wide Flatbed
w/Toolboxes
20" Deep**

- 2 – 24" Front Mnt Toolboxes**
- 1 – 78" Taper Toolbox**
- 1 – 26" Taper Toolbox**
- 2 – 52" Taper Toolboxes**

Optional Parts included in price

Any options not required subtract from Complete Bed Price.

- A. Formed Tailgate - \$150.00
- B. Tailgate Brackets - \$30.00 pair
- C. Center Window Guard - \$100.00



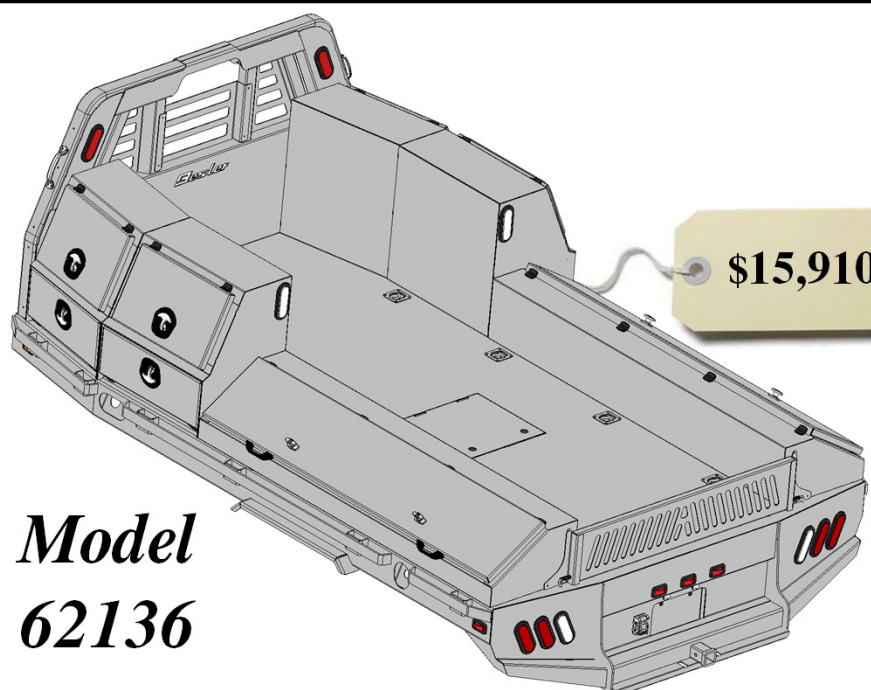
**All Options Bed
136 Wide Flatbed
w/Toolboxes
20" Deep**

- 2 – 24" Front Mnt Toolboxes**
- 2 – 78" Taper Toolboxes**
- 2 – 26" Taper Toolboxes**

Optional Parts included in price

Any options not required subtract from Complete Bed Price.

- A. Formed Tailgate - \$150.00
- B. Tailgate Brackets - \$30.00 pair
- C. Center Window Guard - \$100.00



**Model
62136**

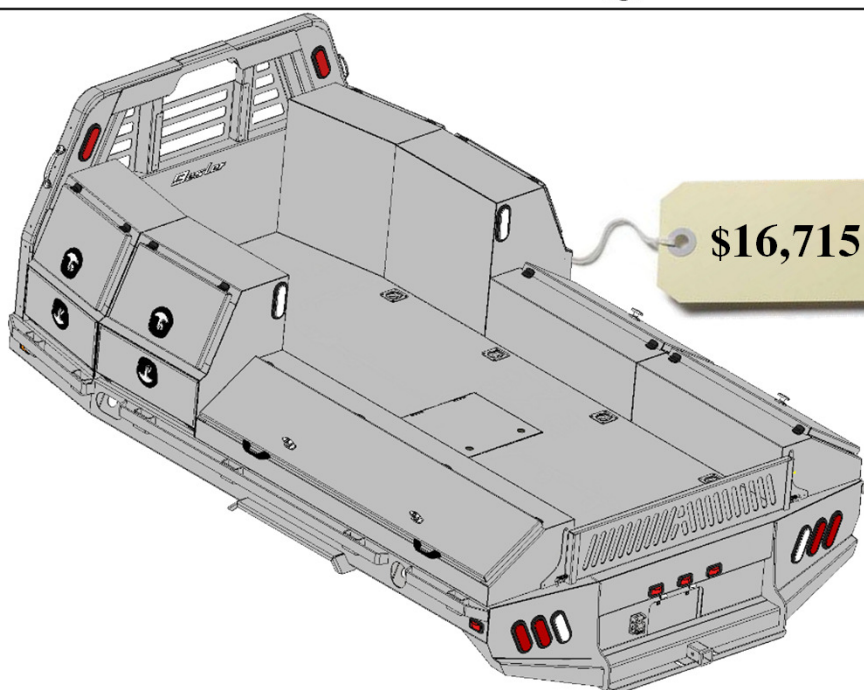
**All Options Bed
136 Wide Flatbed
w/Toolboxes
20" Deep**

- 2 – 24" Front Mnt Toolboxes
- 2 – 27" Front Mnt Toolboxes
- 2 – 78" Taper Toolboxes

Optional Parts included in price

Any options not required subtract from Complete Bed Price.

- A. Formed Tailgate - \$150.00
- B. Tailgate Brackets - \$30.00 pair
- C. Center Window Guard - \$100.00



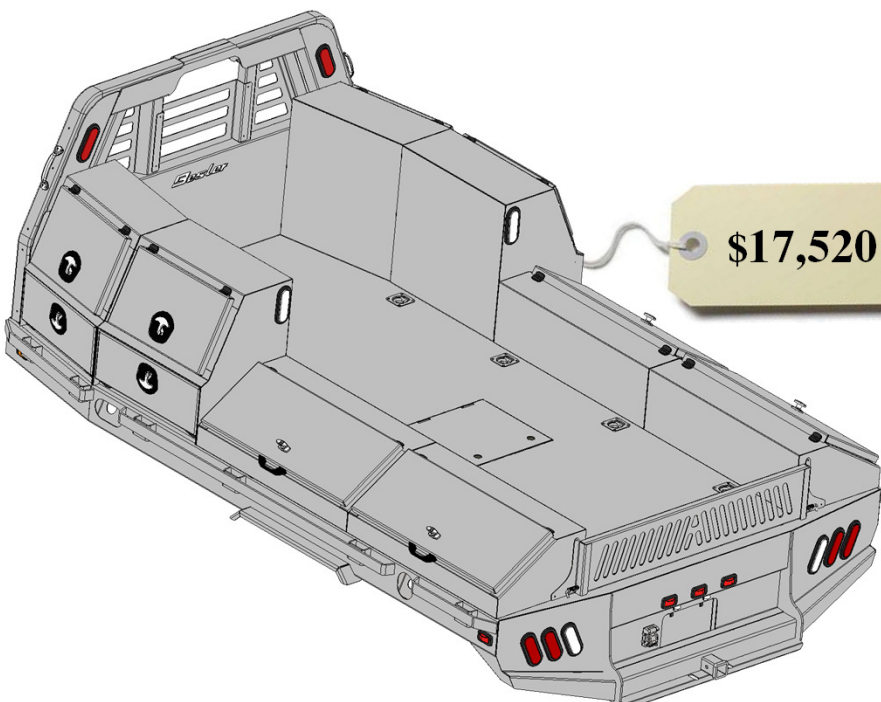
**All Options Bed
136 Wide Flatbed
w/Toolboxes
20" Deep**

- 2 – 24" Front Mnt Toolboxes
- 2 – 27" Front Mnt Toolboxes
- 1 – 78" Taper Toolbox
- 2 – 39" Taper Toolboxes

Optional Parts included in price

Any options not required subtract from Complete Bed Price.

- A. Formed Tailgate - \$150.00
- B. Tailgate Brackets - \$30.00 pair
- C. Center Window Guard - \$100.00



**All Options Bed
136 Wide Flatbed
w/Toolboxes
20" Deep**

- 2 – 24" Front Mnt Toolboxes
- 2 – 27" Front Mnt Toolboxes
- 4 – 39" Taper Toolboxes

Optional Parts included in price

Any options not required subtract from Complete Bed Price.

- A. Formed Tailgate - \$150.00
- B. Tailgate Brackets - \$30.00 pair
- C. Center Window Guard - \$100.00