



# 62112 Series Flatbed

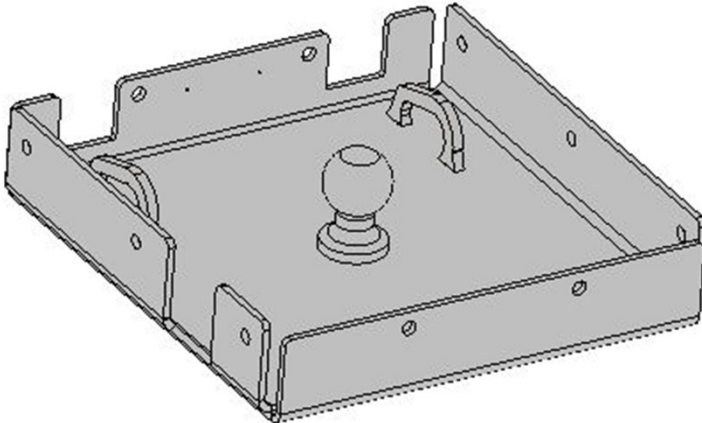
## Options & Price Guide



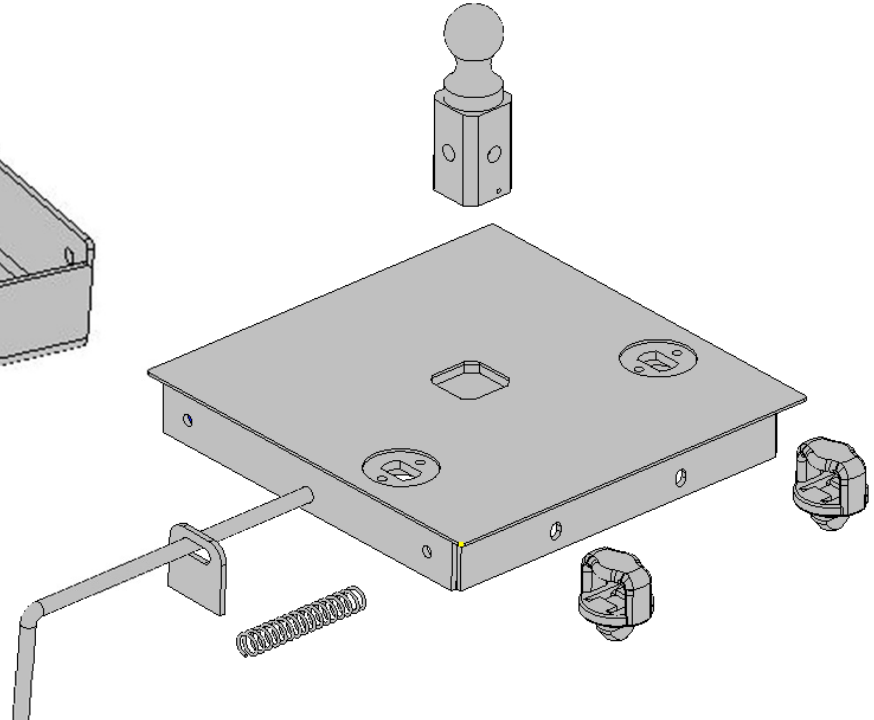


# Fifth Wheel Options

**Standard Recessed Ball**  
**30,000 lbs 5th wheel ball included**  
**\$190.00 Retail Price**

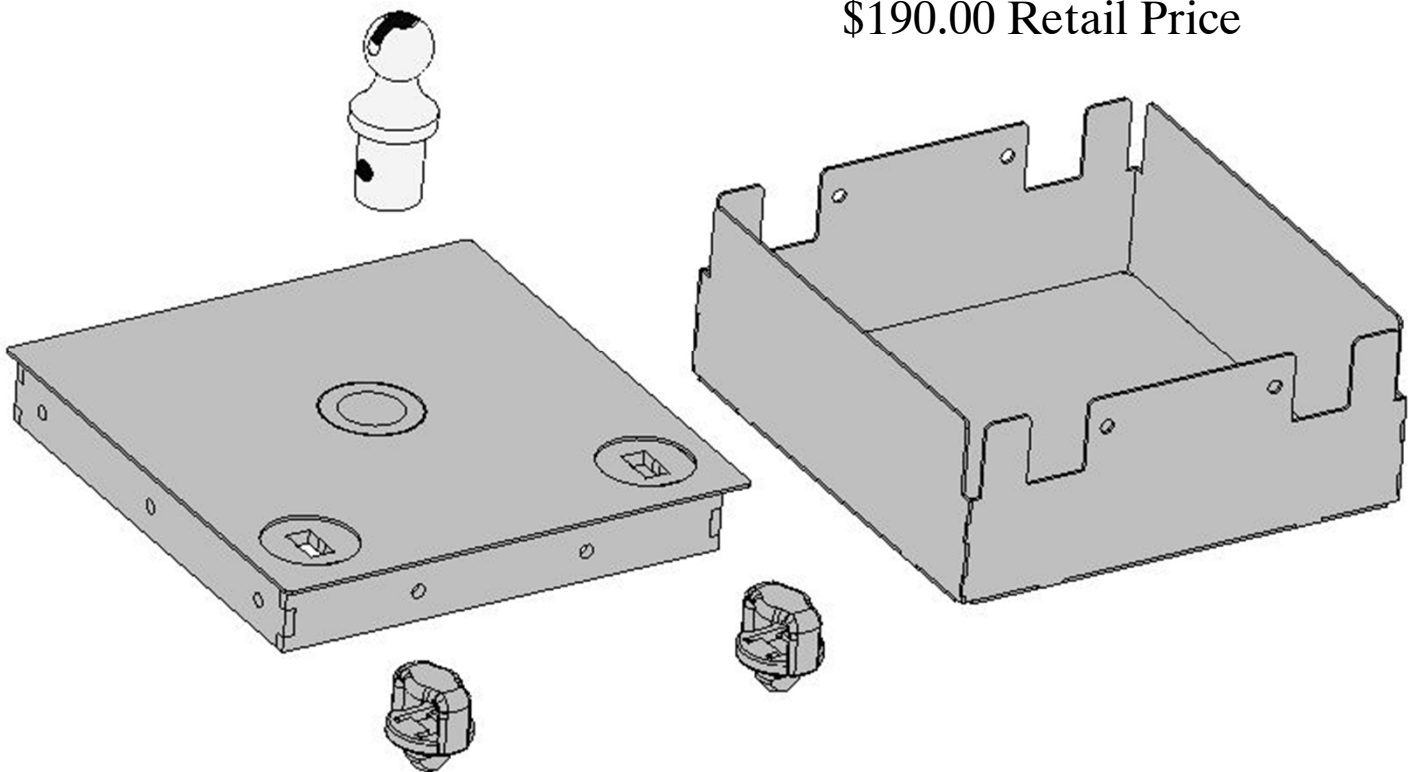


**Optional Flush Mount**  
**Flip Over Ball**  
Upgrade from standard  
5<sup>th</sup> wheel - \$375.00



**Optional Flush Mount**  
**For Drop In Ball**  
Upgrade from standard  
5<sup>th</sup> wheel - \$315.00  
Ball and Puck \$250.00 Net

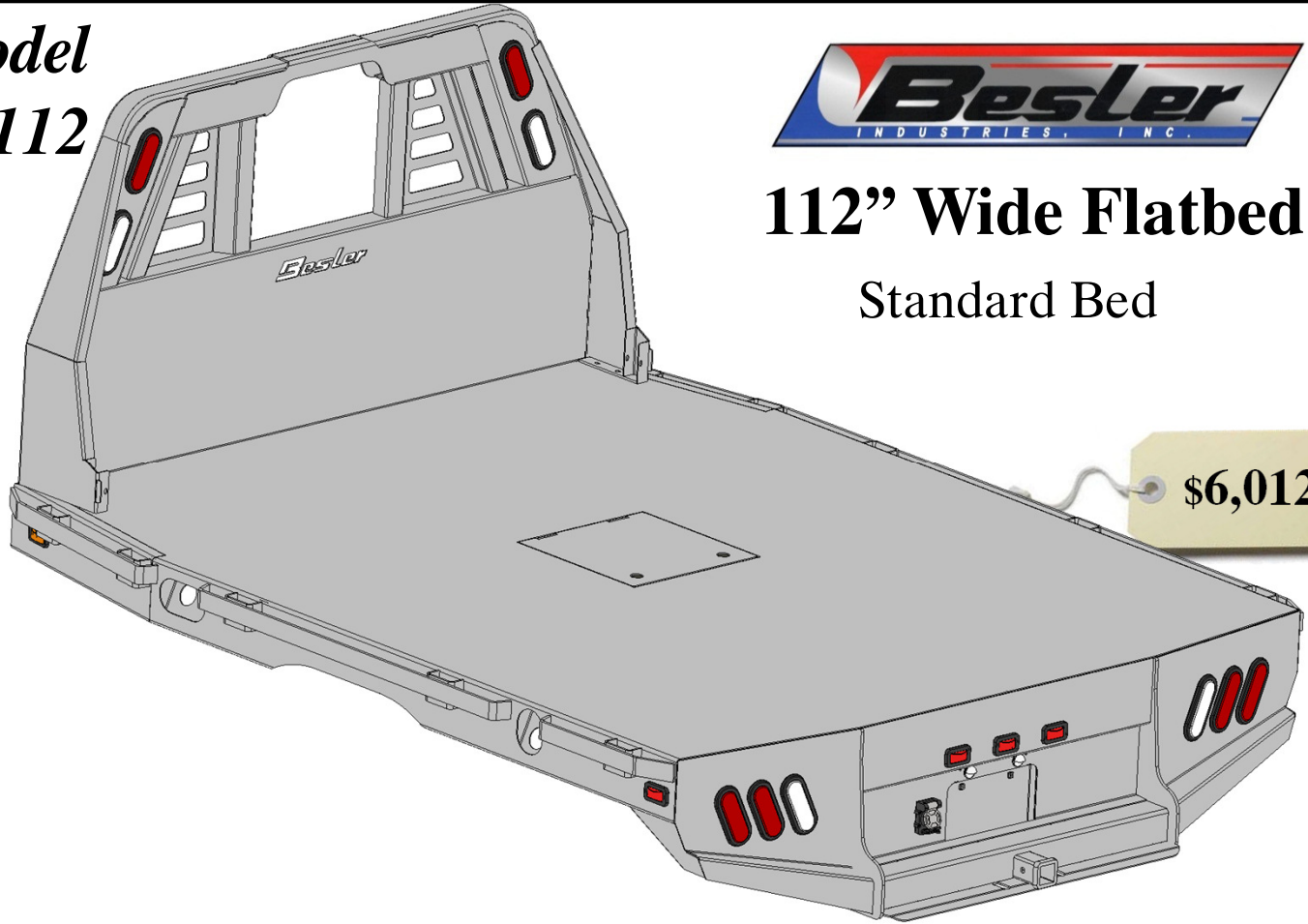
**Optional Storage Box**  
**\$190.00 Retail Price**



**Model**  
**62112**

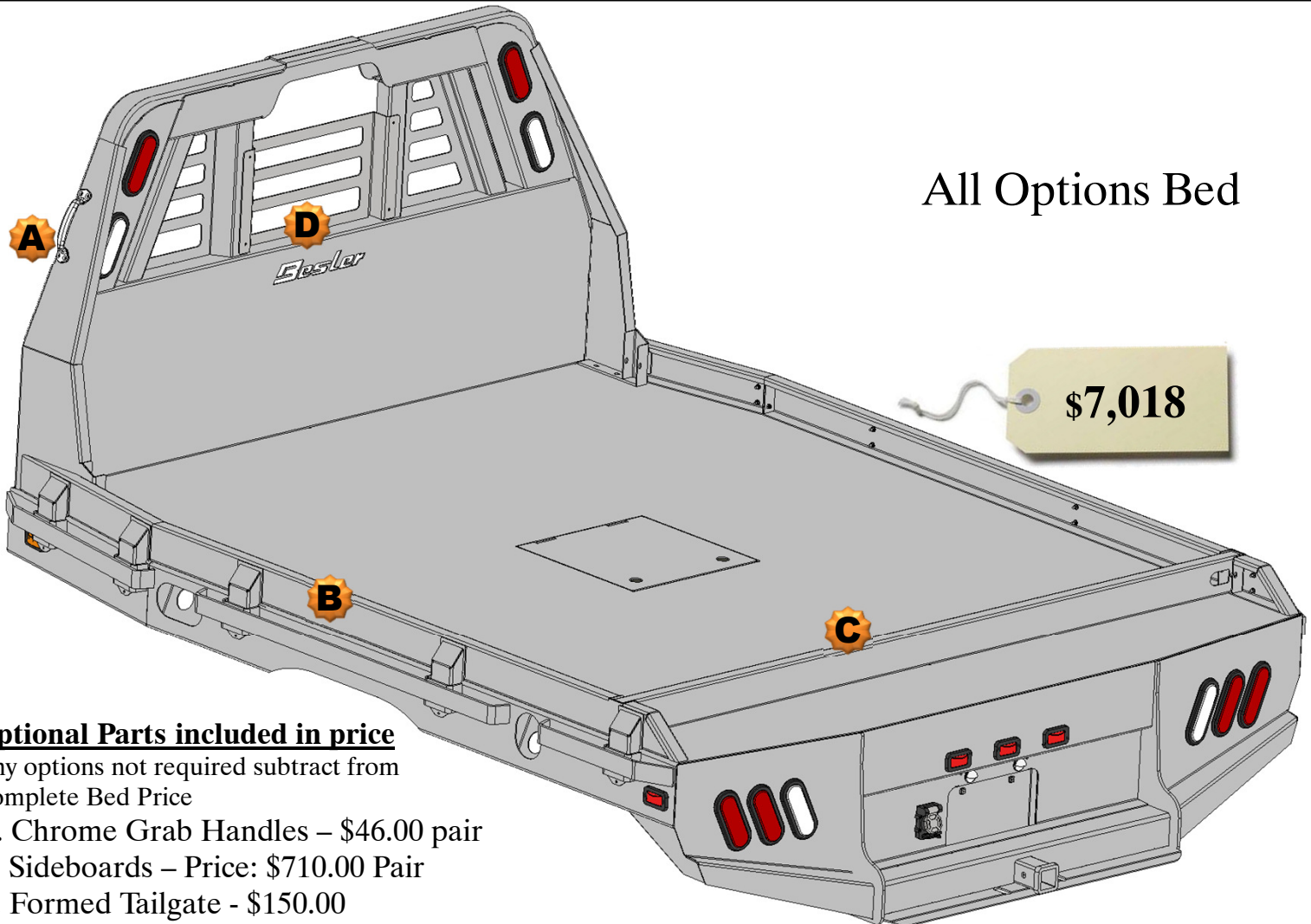


**112" Wide Flatbed**  
**Standard Bed**



**\$6,012**

**All Options Bed**



**\$7,018**

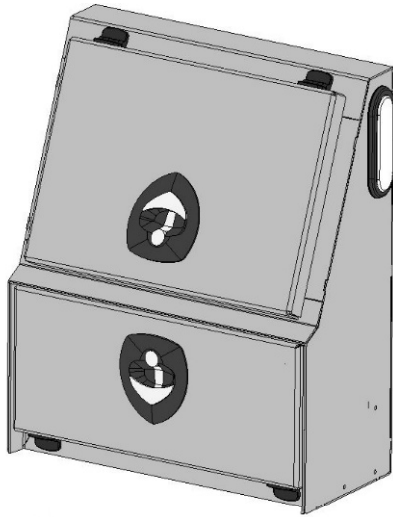
**Optional Parts included in price**

Any options not required subtract from Complete Bed Price

- A. Chrome Grab Handles – \$46.00 pair
- B. Sideboards – Price: \$710.00 Pair
- C. Formed Tailgate - \$150.00
- D. Center Window Guard - \$100.00

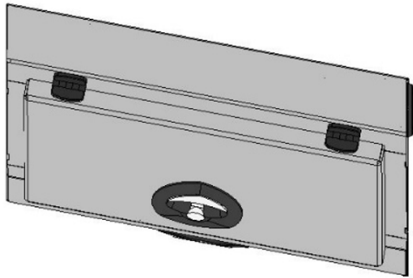


# 112" Wide Flatbed Price and configurations With 15" Deep Tool boxes

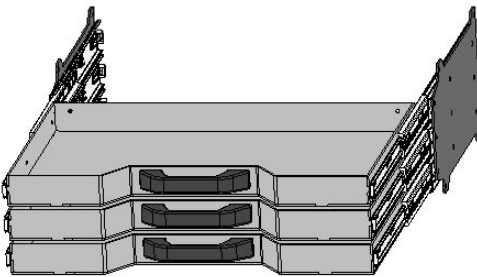


### Front Mount Tool box

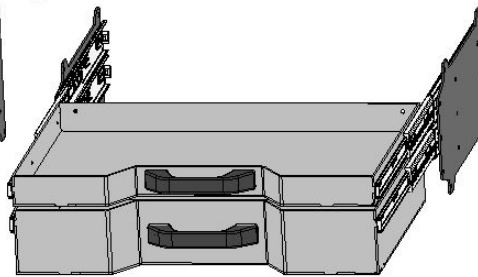
- 27" x 15" Deep
- Drawers Available 1, 2 or 3 drawers
- Drawer kits can be added later
- Can be ordered with or without Backup light.
- Gas Shocks on Top door
- Screwdriver holders on shelf
- Wrench rack on the top back panel



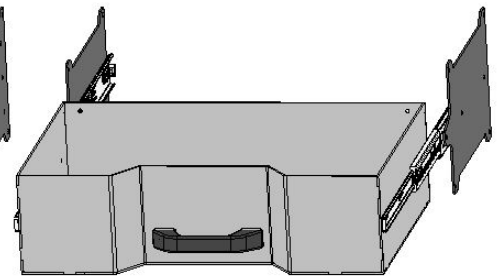
Front Mount Tool box is angled so that it fits flush against the headache Rack and matches the taper of the Wide bed and the top taper tool boxes  
Can bolt up flush with no gaps.



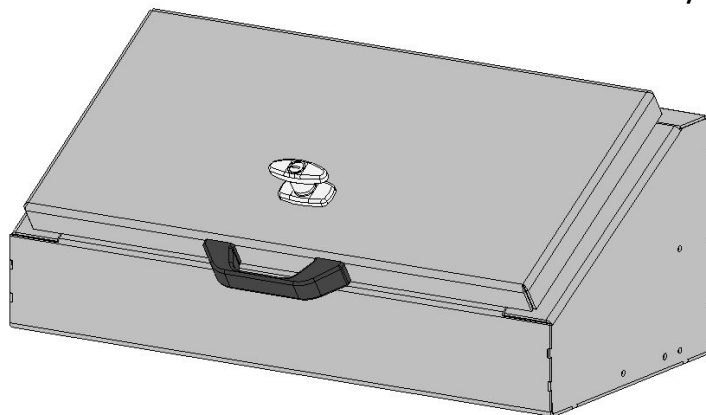
3 drawers 1-3/4" deep



1 drawer 1-3/4" deep  
1 drawer 3-7/8" deep



1 drawer 6" deep



### Top Taper Tool boxes Available lengths

- 26"
- 34"
- 39"
- 46"
- 52"
- 68"
- 78"

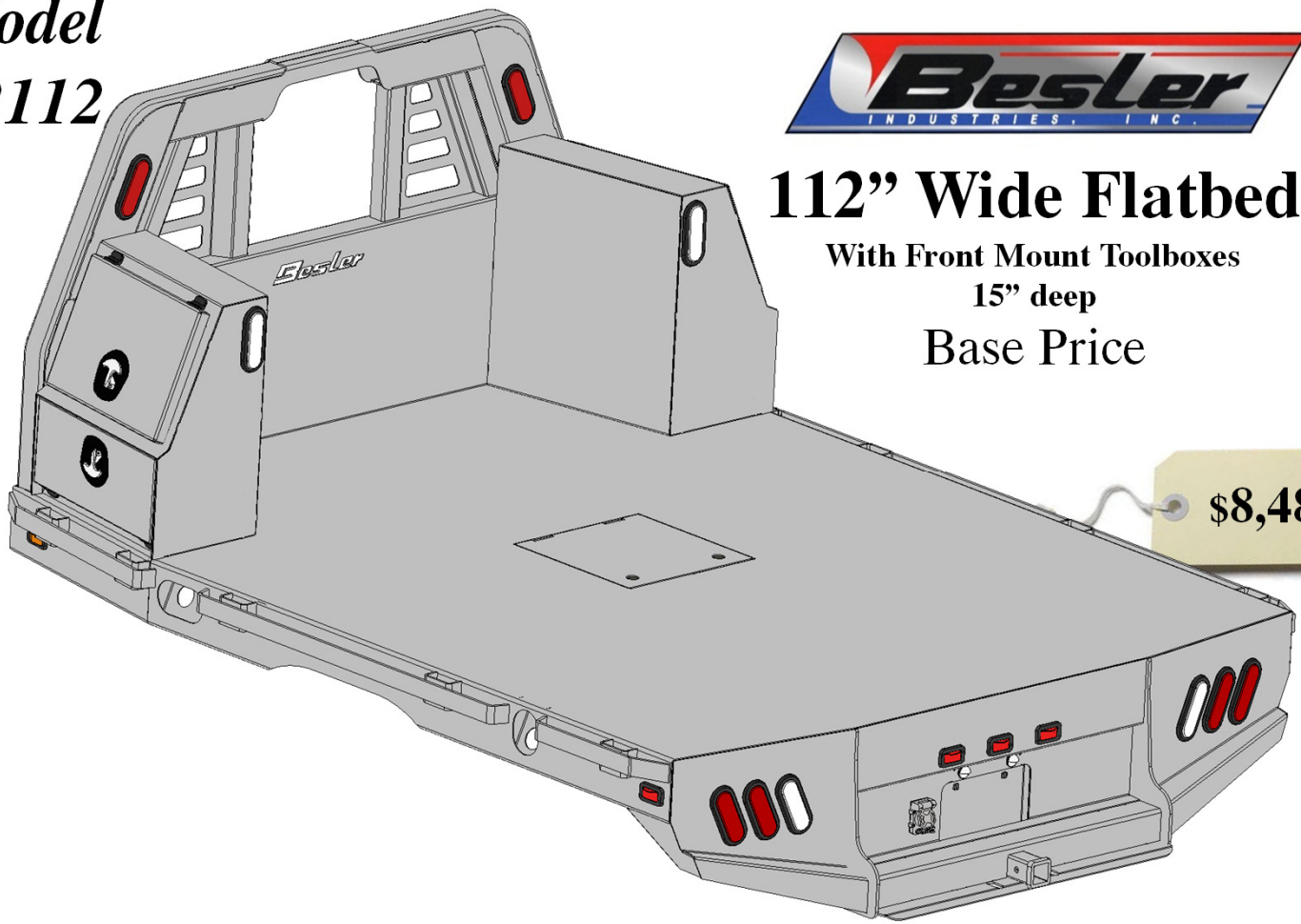
**Model  
62112**



# 112" Wide Flatbed

With Front Mount Toolboxes  
15" deep

Base Price



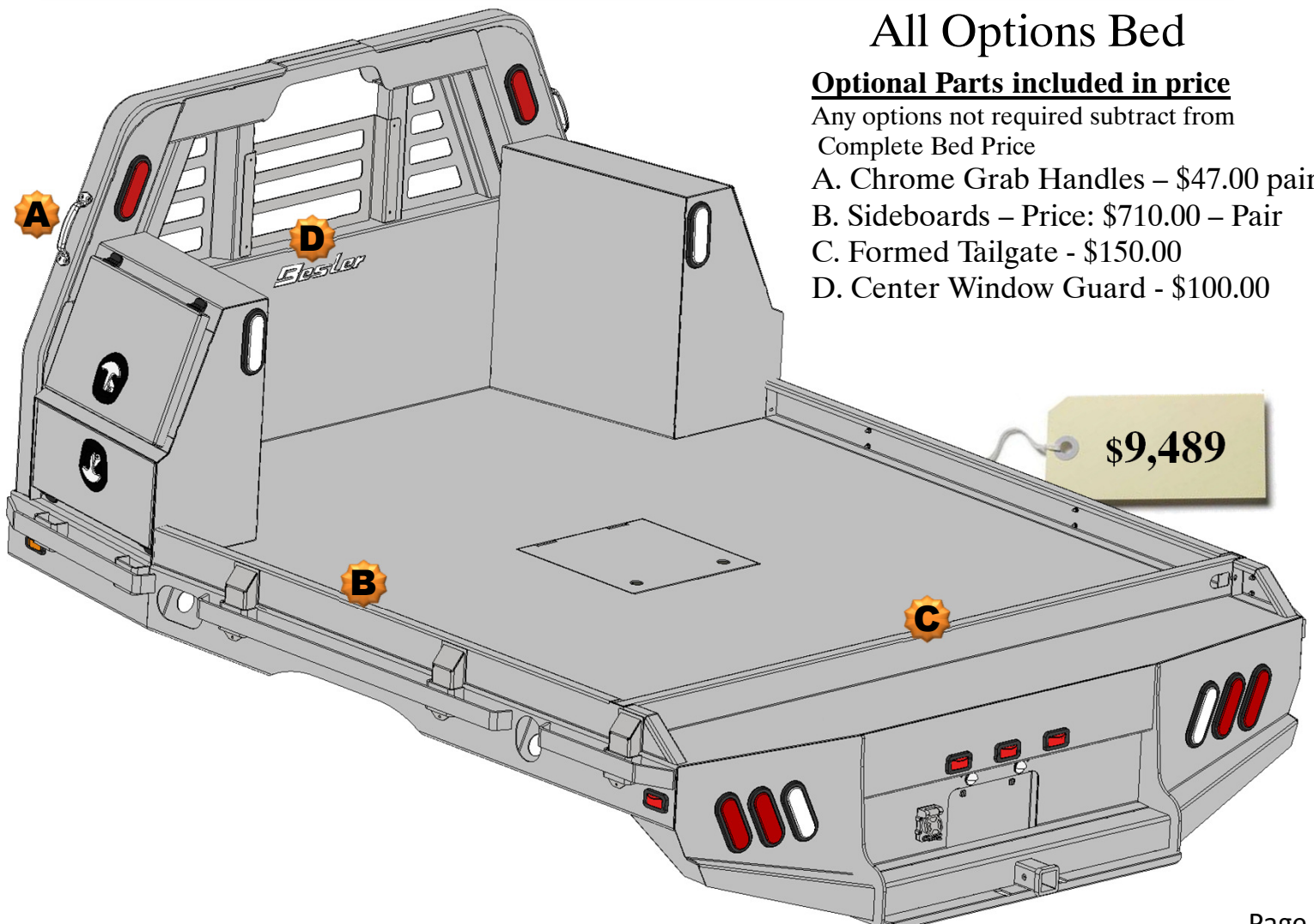
**\$8,482**

## All Options Bed

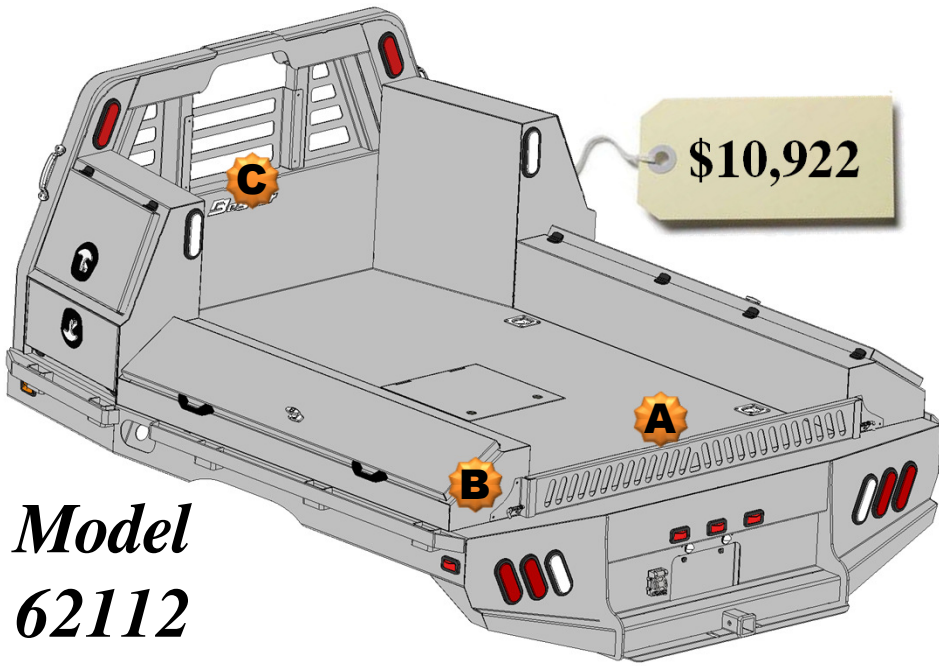
### Optional Parts included in price

Any options not required subtract from Complete Bed Price

- A. Chrome Grab Handles – \$47.00 pair
- B. Sideboards – Price: \$710.00 – Pair
- C. Formed Tailgate - \$150.00
- D. Center Window Guard - \$100.00



**\$9,489**



**\$10,922**

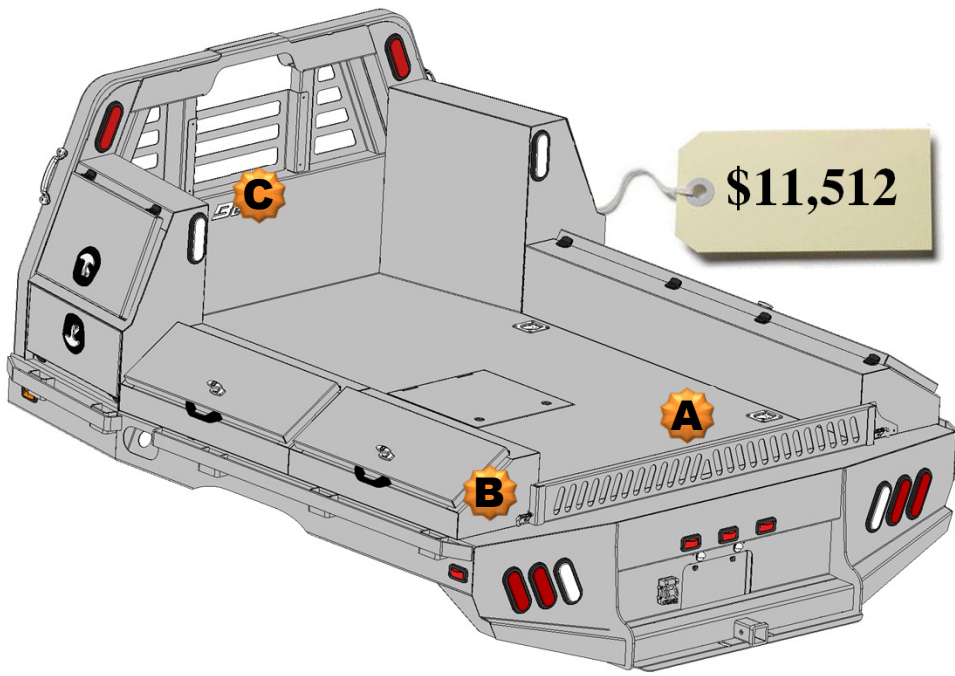
**Model  
62112**

**All Options Bed**  
112 Wide Flatbed  
w/Toolboxes  
**15" Deep**

- 2 – 24" Front Mount Toolboxes
- 2 – 78" Taper Toolboxes

**Optional Parts included in price**

Any options not required subtract from Complete Bed Price.  
A. Formed Tailgate - \$150.00  
B. Tailgate Brackets - \$30.00 pair  
C. Center Window Guard - \$100.00



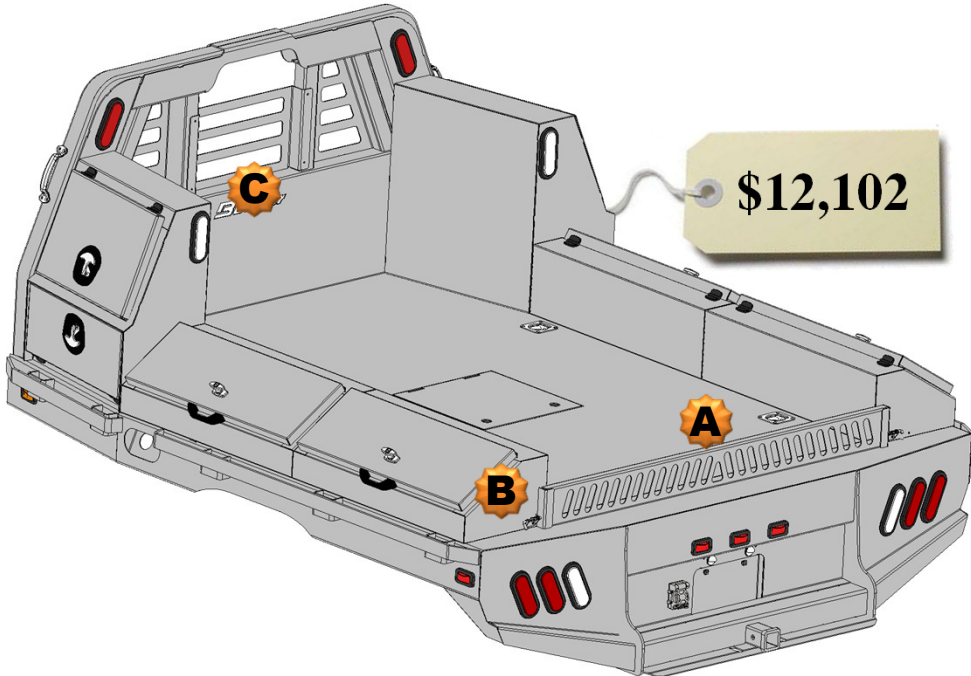
**\$11,512**

**All Options Bed**  
112 Wide Flatbed  
w/Toolboxes  
**15" Deep**

- 2 – 24" Front Mount Toolboxes
- 1 – 78" Taper Toolbox
- 2 – 39" Taper Toolbox

**Optional Parts included in price**

Any options not required subtract from Complete Bed Price.  
A. Formed Tailgate - \$150.00  
B. Tailgate Brackets - \$30.00 pair  
C. Center Window Guard - \$100.00



**\$12,102**

**All Options Bed**  
112 Wide Flatbed  
w/Toolboxes  
**15" Deep**

- 2 – 24" Front Mount Toolboxes
- 4 – 39" Taper Toolboxes

**Optional Parts included in price**

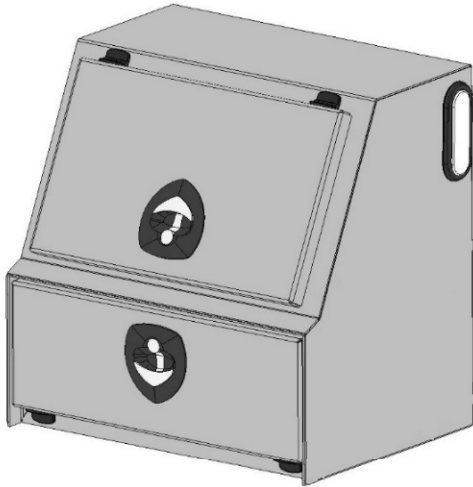
Any options not required subtract from Complete Bed Price.  
A. Formed Tailgate - \$150.00  
B. Tailgate Brackets - \$30.00 pair  
C. Center Window Guard - \$100.00



# 112" Wide Flatbed

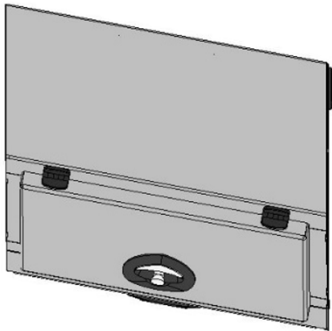
## Price and configurations

### With 20" Deep Tool boxes

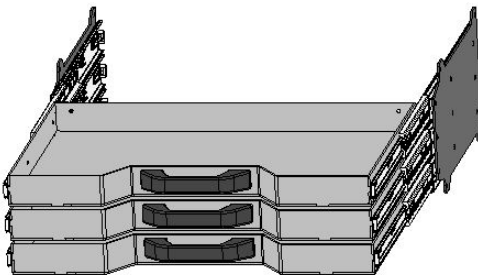


#### Front Mount Tool box

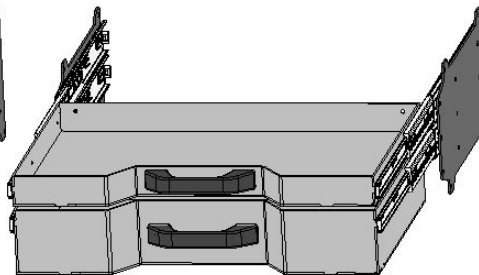
- 27" x 20" Deep
- Drawers Available 1, 2 or 3 drawers
- Drawer kits can be added later
- Can be ordered with or without Backup light.
- Gas Shocks on Top door
- Screwdriver holders on shelf
- Wrench rack on the top back panel



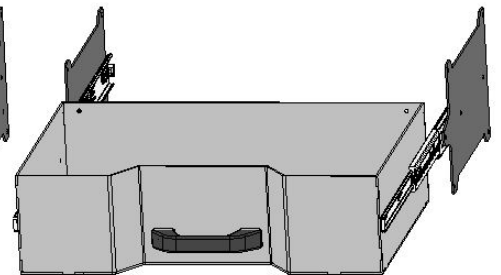
Front Mount Tool box is angled so That it fits flush against the headache Rack and matches the taper of the Wide bed and the top taper tool boxes Can bolt up flush with no gaps.



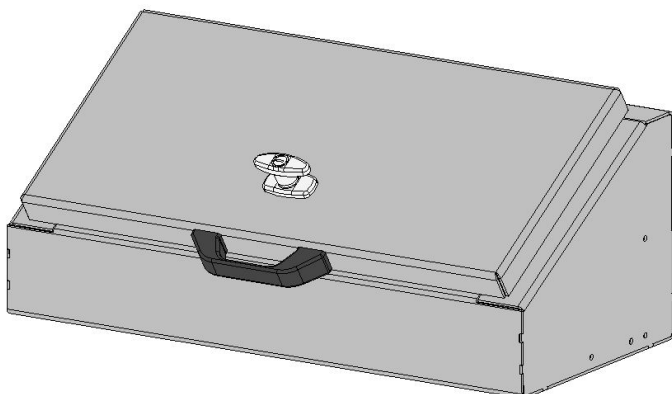
3 drawers 1-3/4" deep



1 drawer 1-3/4" deep  
1 drawer 3-7/8" deep



1 drawer 6" deep



#### Top Taper Tool boxes

##### Available lengths

- 26"
- 34"
- 39"
- 46"
- 52"
- 68"
- 78"

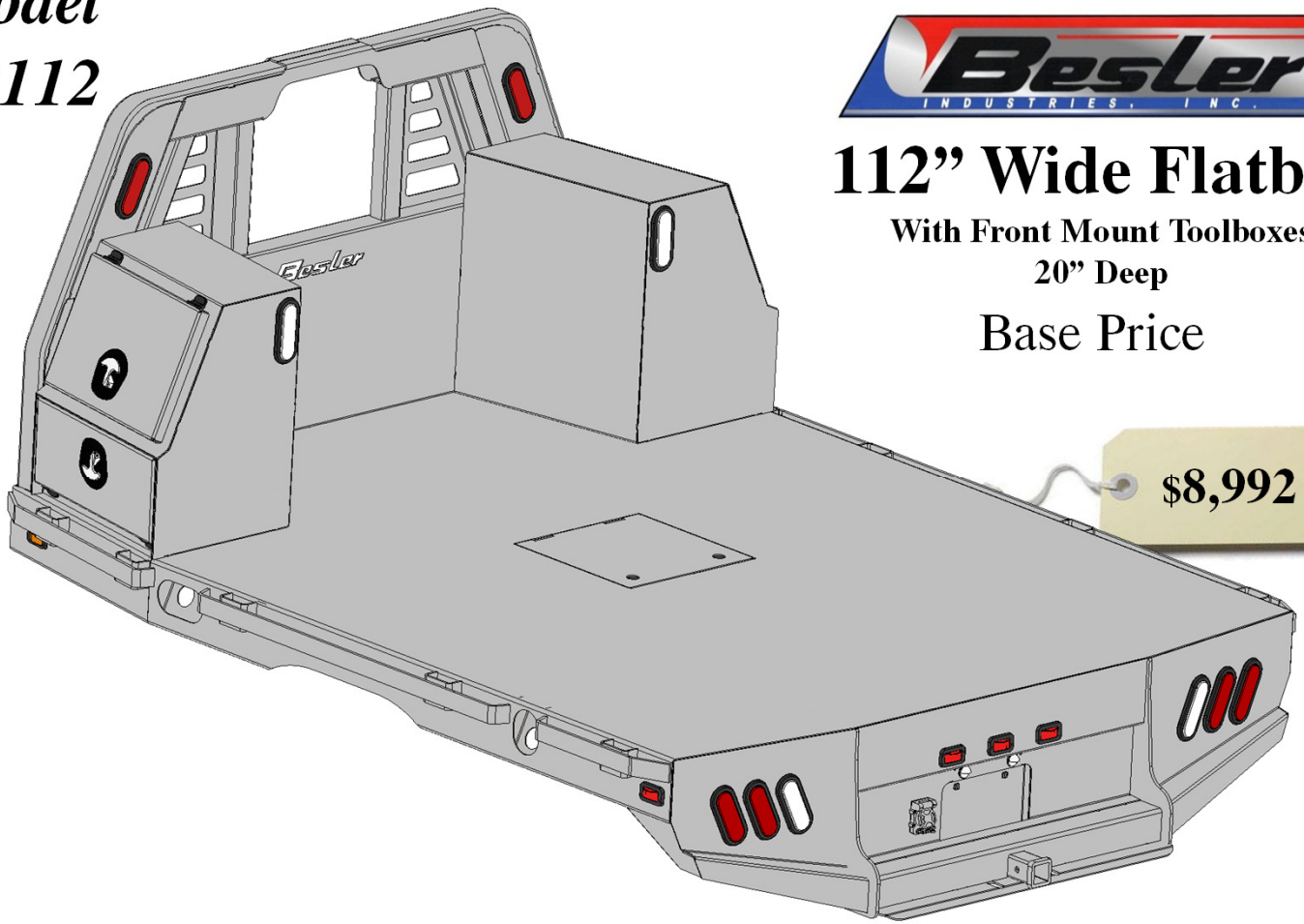
**Model  
62112**



# 112" Wide Flatbed

With Front Mount Toolboxes  
20" Deep

Base Price



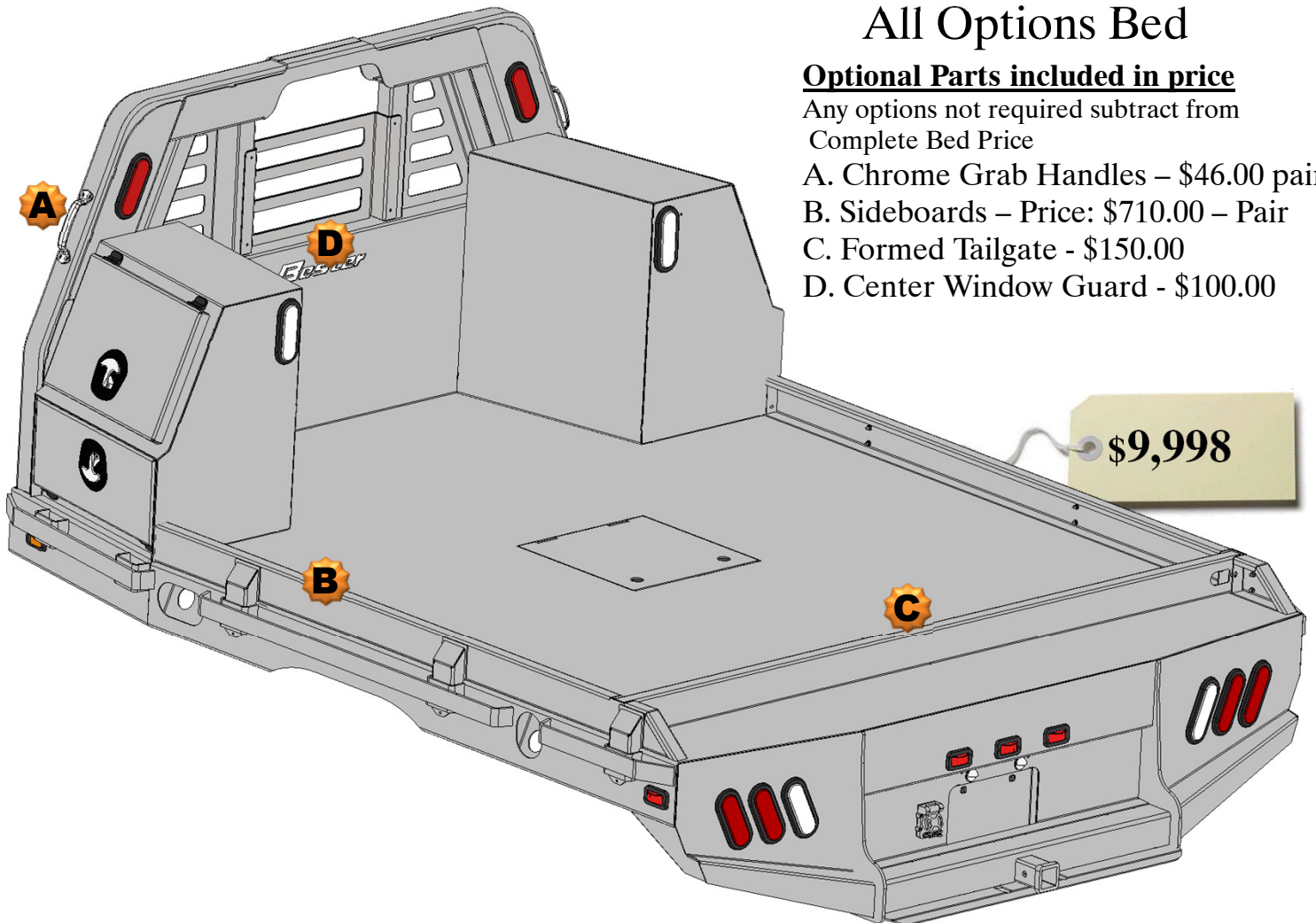
**\$8,992**

## All Options Bed

### Optional Parts included in price

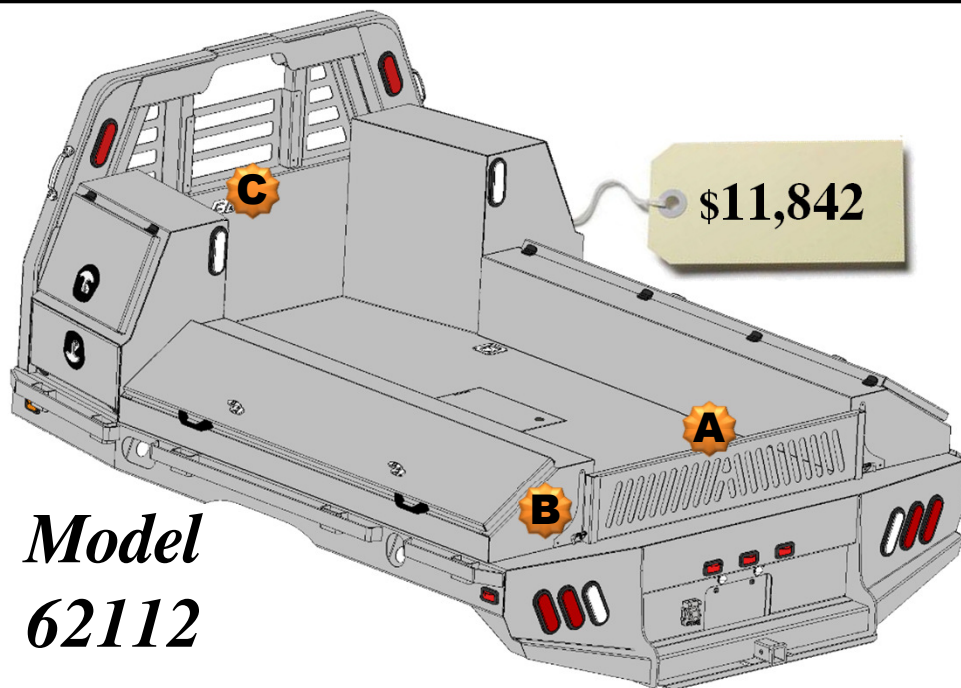
Any options not required subtract from Complete Bed Price

- A. Chrome Grab Handles – \$46.00 pair
- B. Sideboards – Price: \$710.00 – Pair
- C. Formed Tailgate - \$150.00
- D. Center Window Guard - \$100.00



**\$9,998**





**Model  
62112**

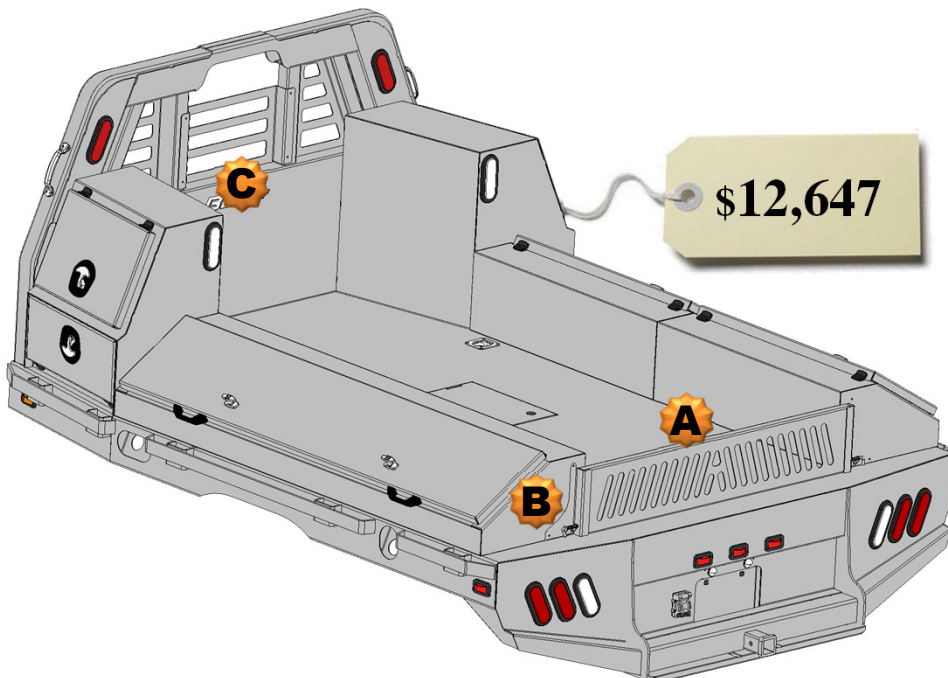
**All Options Bed  
112 Wide Flatbed  
w/Toolboxes  
20" Deep**

- 2 - 24" Front Mount Toolboxes
- 2 - 78" Taper Toolboxes

**Optional Parts included in price**

Any options not required subtract from Complete Bed Price.

- A. Formed Tailgate - \$150.00
- B. Tailgate Brackets - \$30.00 pair
- C. Center Window Guard - \$100.00



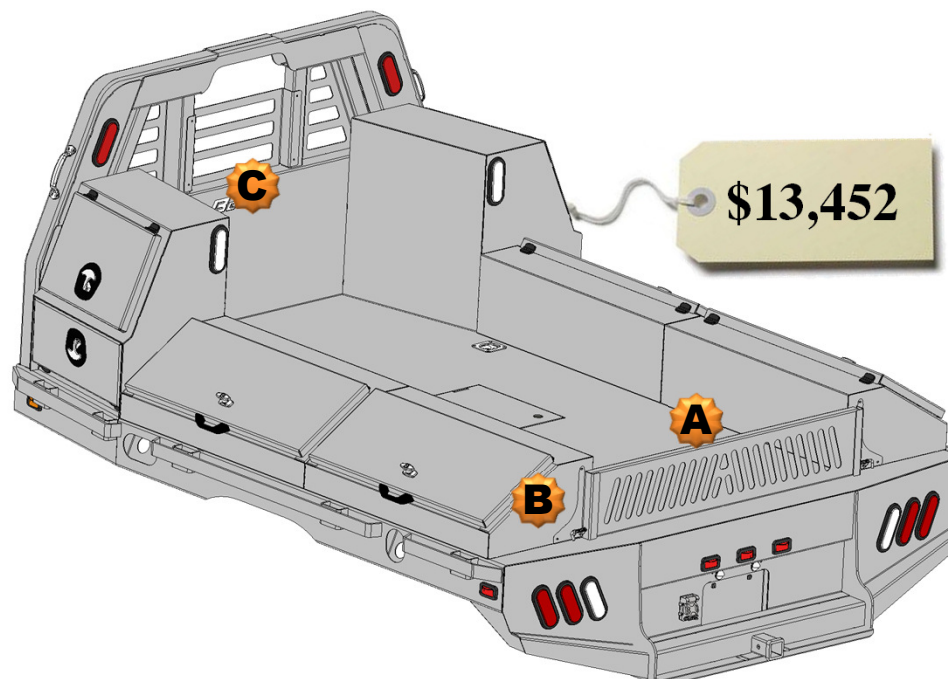
**All Options Bed  
112 Wide Flatbed  
w/Toolboxes  
20" Deep**

- 2 - 27" Front Mount Toolboxes
- 1 - 78" Taper Toolbox
- 2 - 39" Taper Toolbox

**Optional Parts included in price**

Any options not required subtract from Complete Bed Price.

- A. Formed Tailgate - \$150.00
- B. Tailgate Brackets - \$30.00 pair
- C. Center Window Guard - \$100.00



**All Options Bed  
112 Wide Flatbed  
w/Toolboxes  
20" Deep**

- 2 - 27" Front Mount Toolboxes
- 4 - 39" Taper Toolboxes

**Optional Parts included in price**

Any options not required subtract from Complete Bed Price.

- A. Formed Tailgate - \$150.00
- B. Tailgate Brackets - \$30.00 pair
- C. Center Window Guard - \$100.00