



6112 Series Flatbed

Options & Price Guide

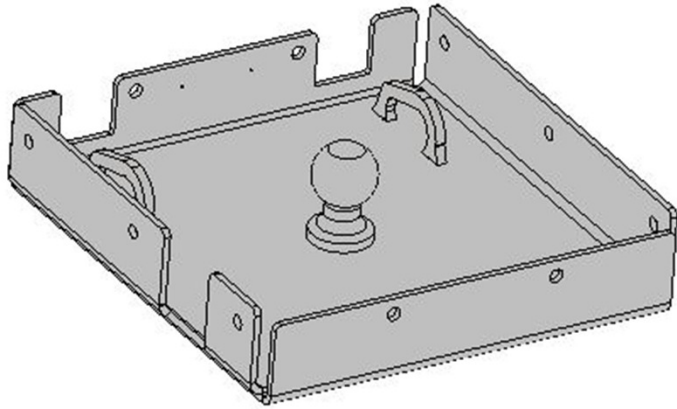


Fifth Wheel Options

Standard Recessed Ball

30,000 lbs 5th wheel ball included

\$200.00 Retail Price

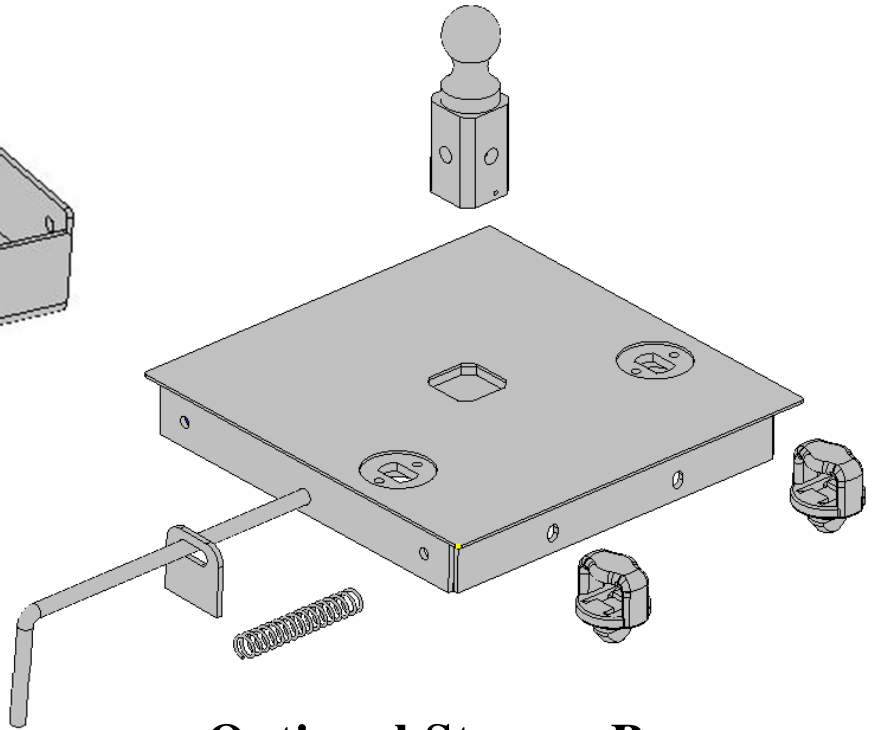


Optional Flush Mount

Flip Over Ball

Upgrade from standard

5th wheel - \$450.00

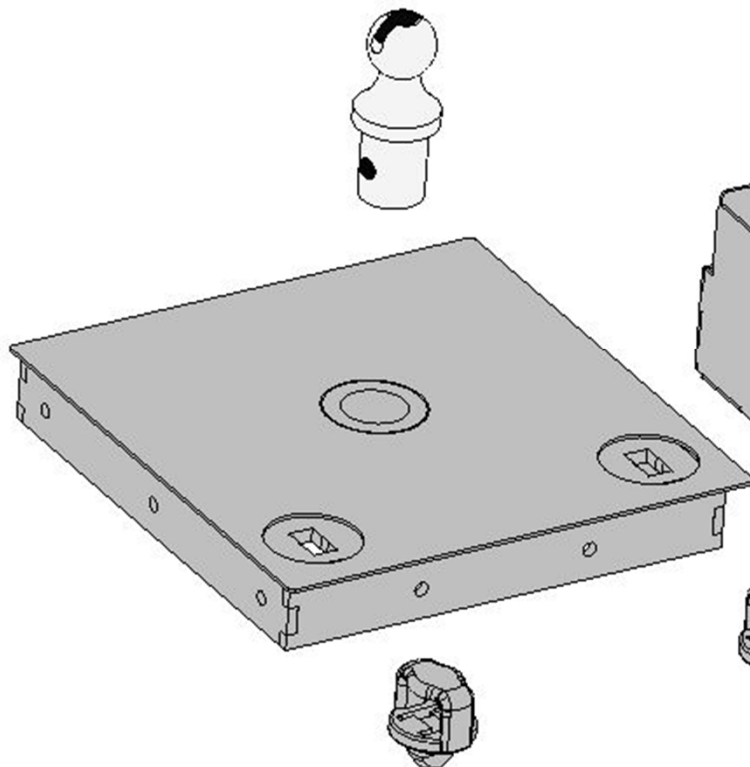


Optional Flush Mount For Drop In Ball

Upgrade from standard

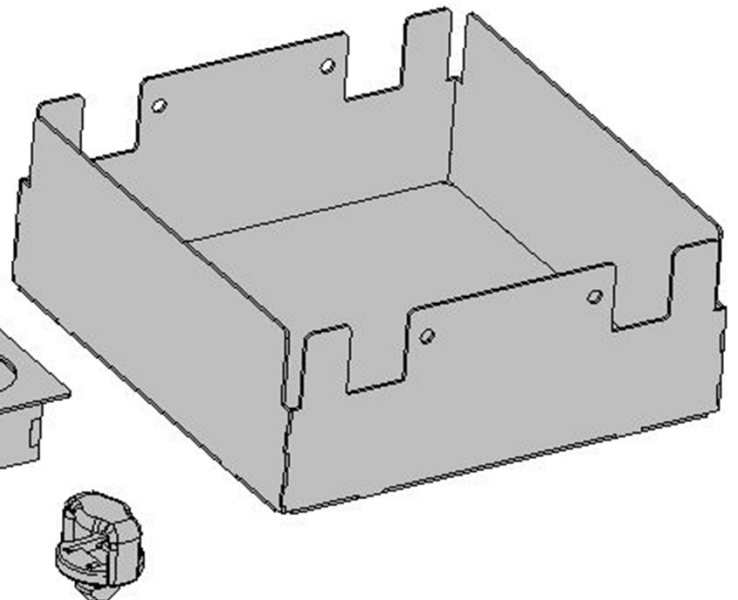
5th wheel - \$400.00

Ball and Puck \$300.00 Net



Optional Storage Box

\$190.00 Retail Price

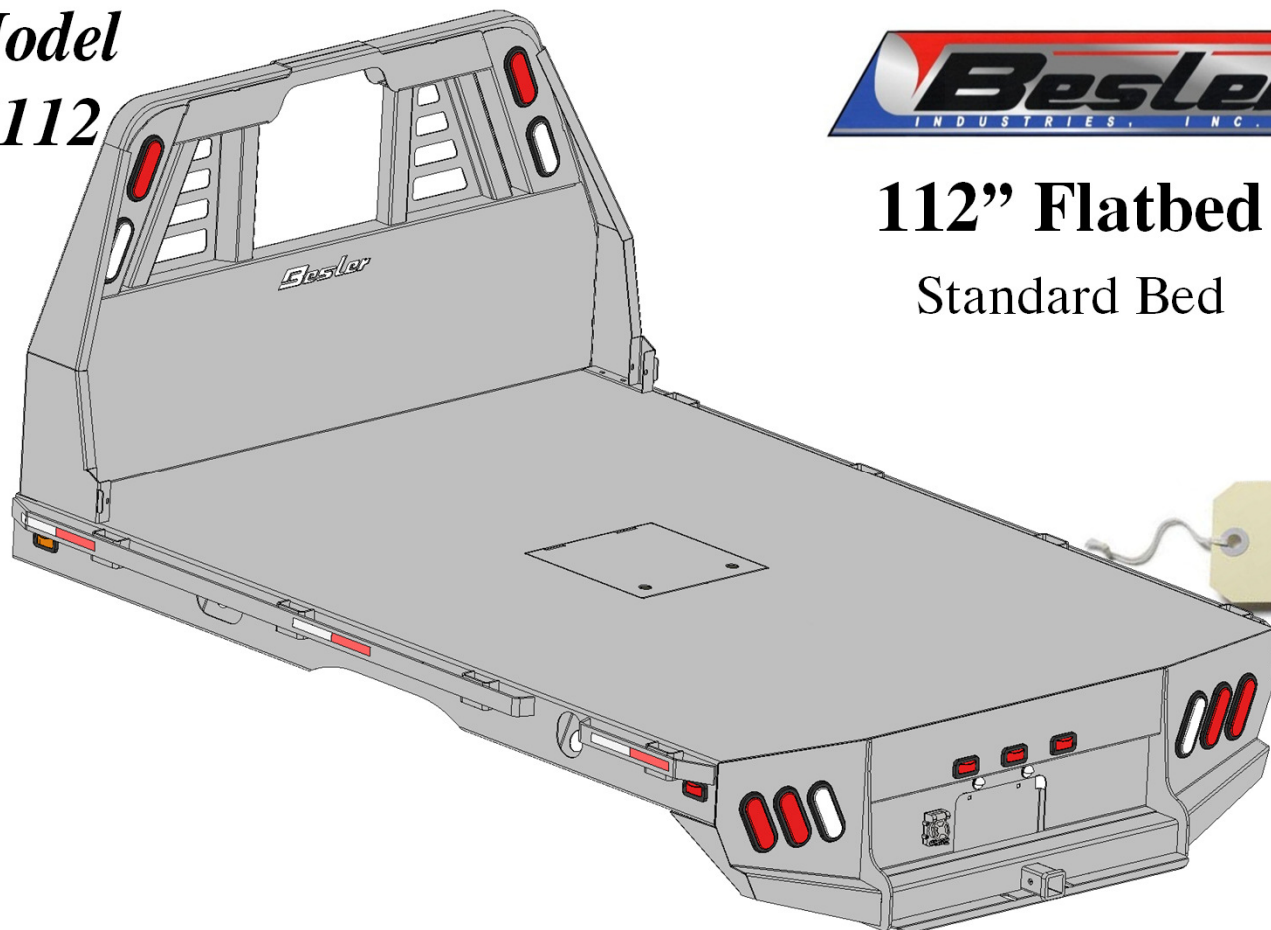


Model
6112



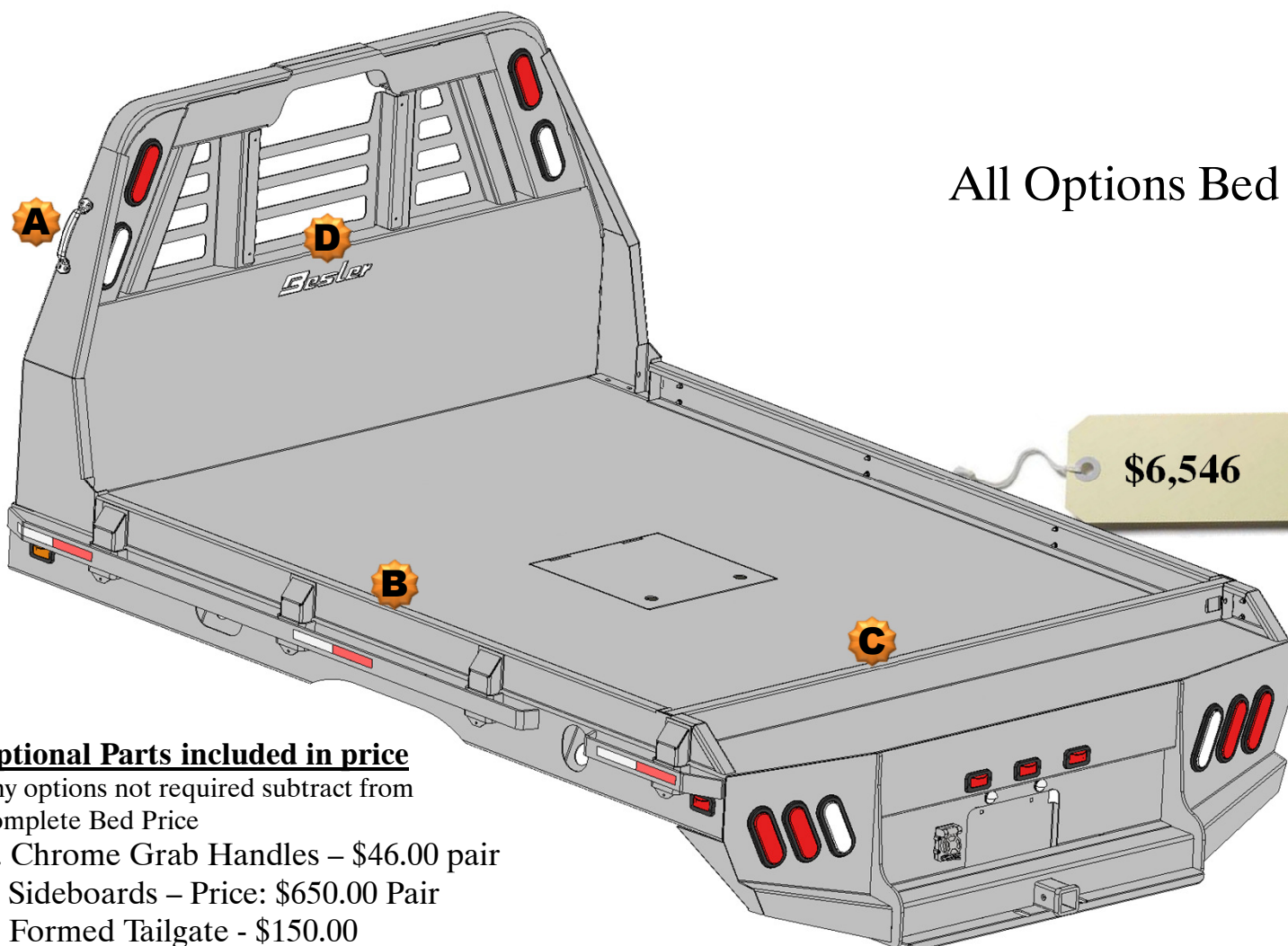
112" Flatbed

Standard Bed



\$5,600

All Options Bed



\$6,546

Optional Parts included in price

Any options not required subtract from Complete Bed Price

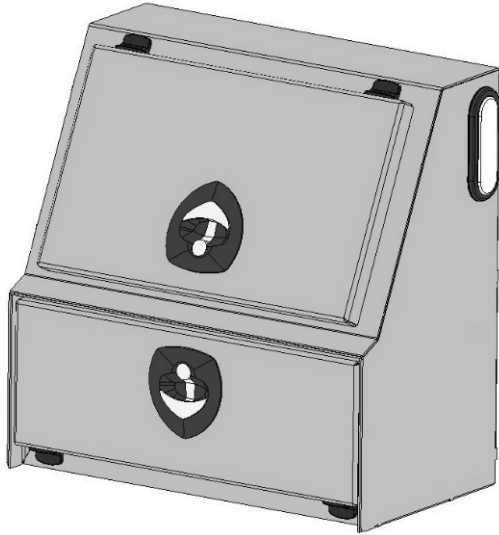
- A. Chrome Grab Handles – \$46.00 pair
- B. Sideboards – Price: \$650.00 Pair
- C. Formed Tailgate - \$150.00
- D. Center Window Guard - \$100.00



112" Flatbed

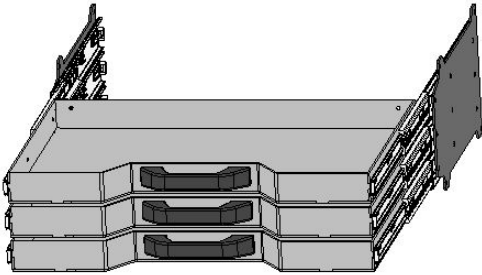
Price and configurations

With 15" Deep Tool boxes

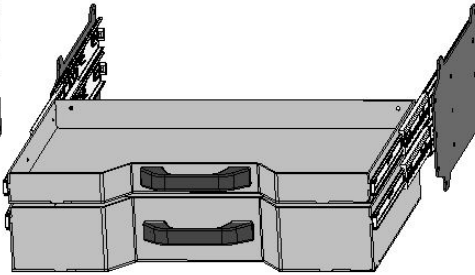


Front Mount Tool box

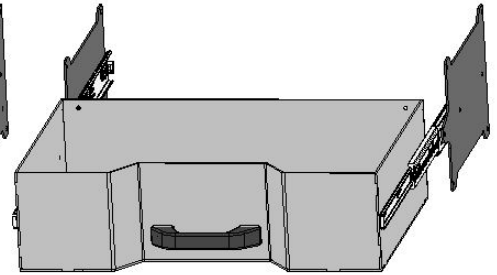
- 27" x 15" x 27"
- Drawers Available 1, 2 or 3 drawers
- Drawer kits can be added later
- Can be ordered with or without Backup light.
- Gas Shocks on Top door
- Screwdriver holders on shelf
- Wrench rack on the top back panel



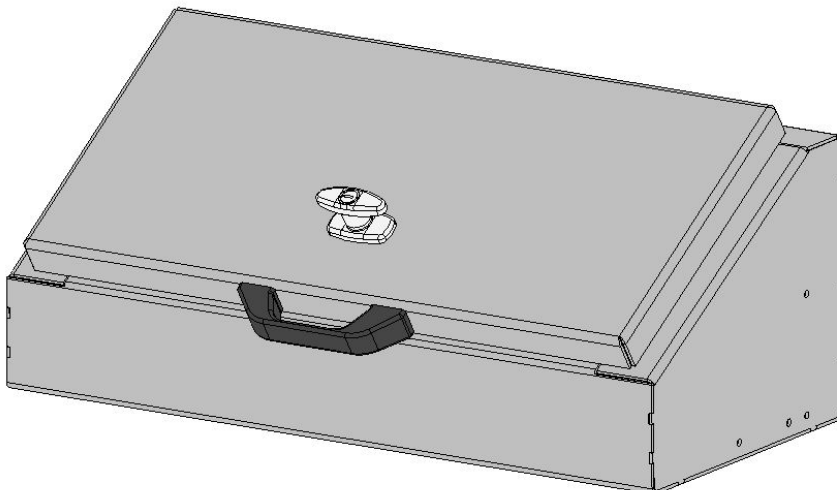
3 drawers 1-3/4" deep



1 drawer 1-3/4" deep
1 drawer 3-7/8" deep



1 drawer 6" deep



Top Taper Tool boxes

Available lengths

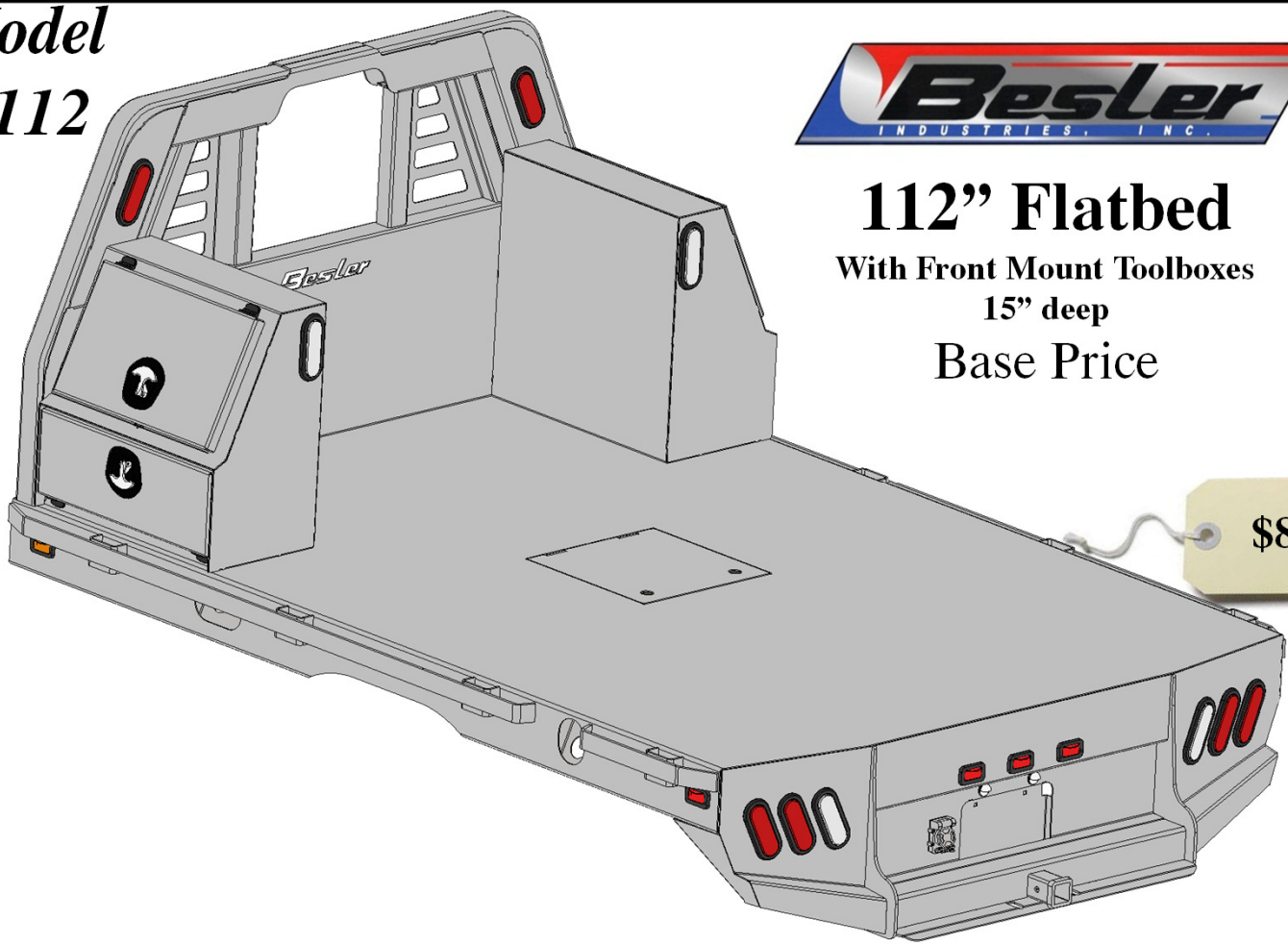
- 26"
- 34"
- 39"
- 46"
- 52"
- 68"
- 78"

**Model
6112**



112" Flatbed

With Front Mount Toolboxes
15" deep
Base Price



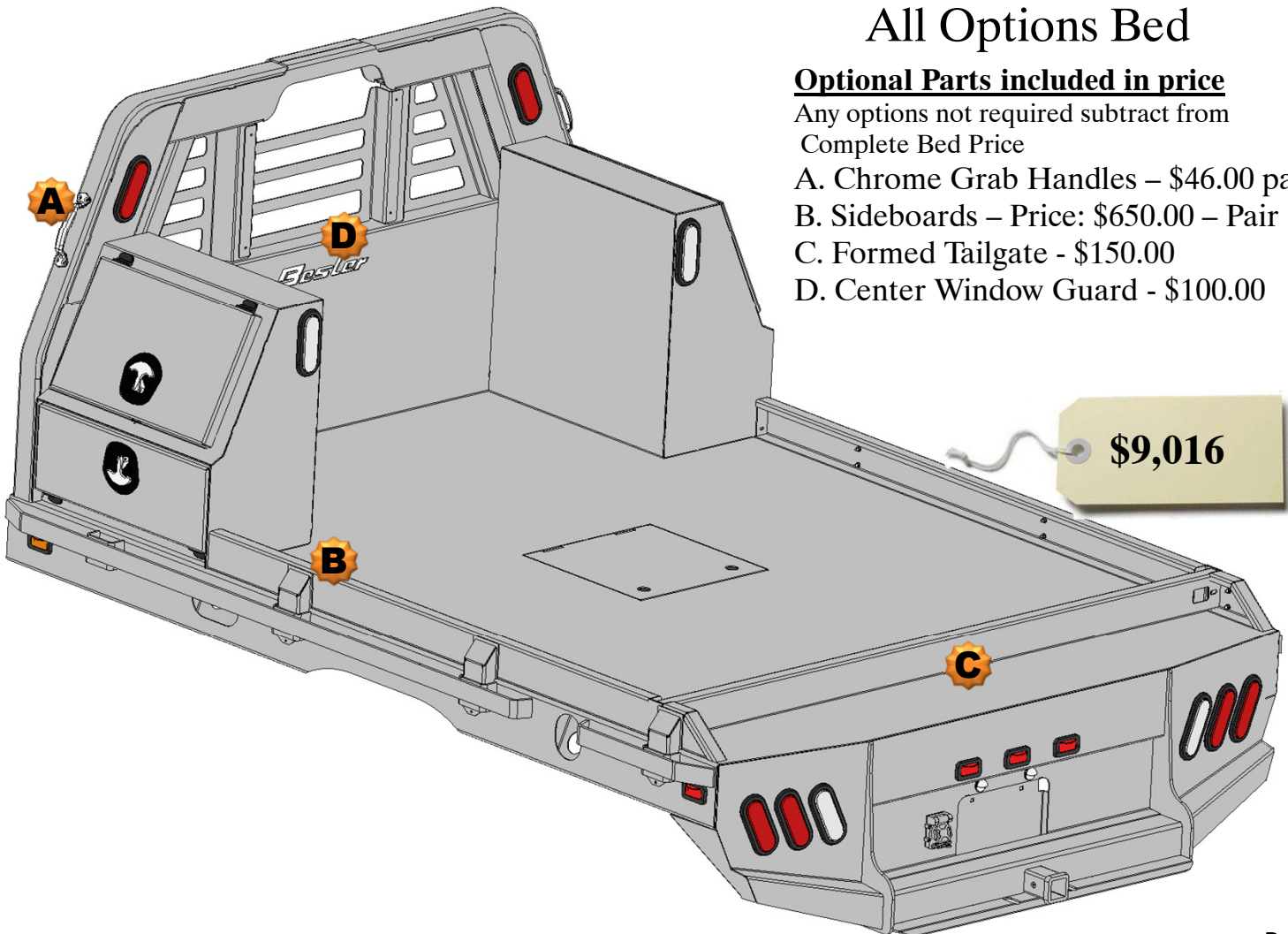
\$8,070

All Options Bed

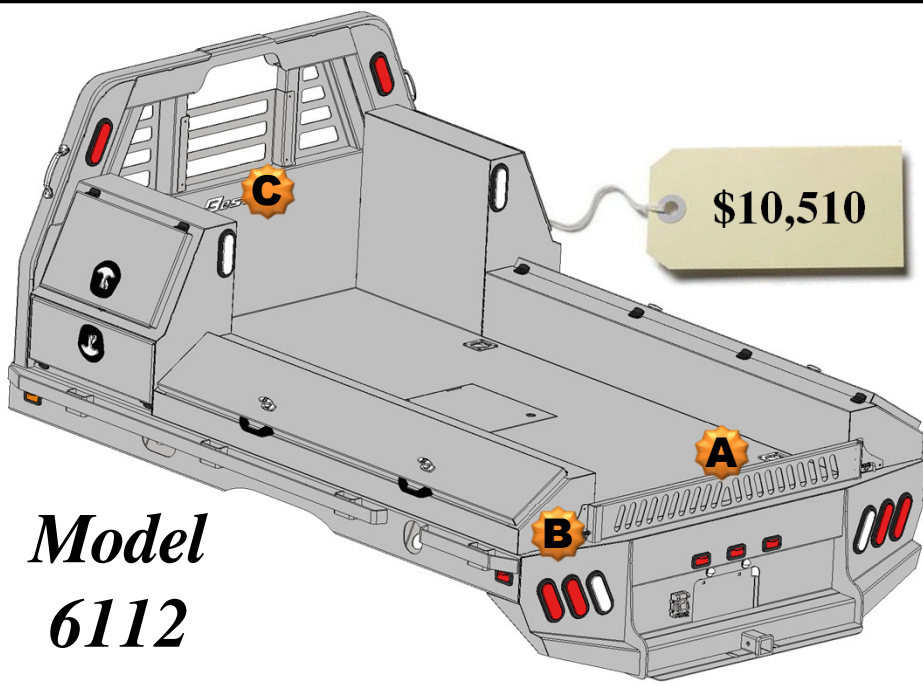
Optional Parts included in price

Any options not required subtract from Complete Bed Price

- A. Chrome Grab Handles – \$46.00 pair
- B. Sideboards – Price: \$650.00 – Pair
- C. Formed Tailgate - \$150.00
- D. Center Window Guard - \$100.00



\$9,016



**Model
6112**

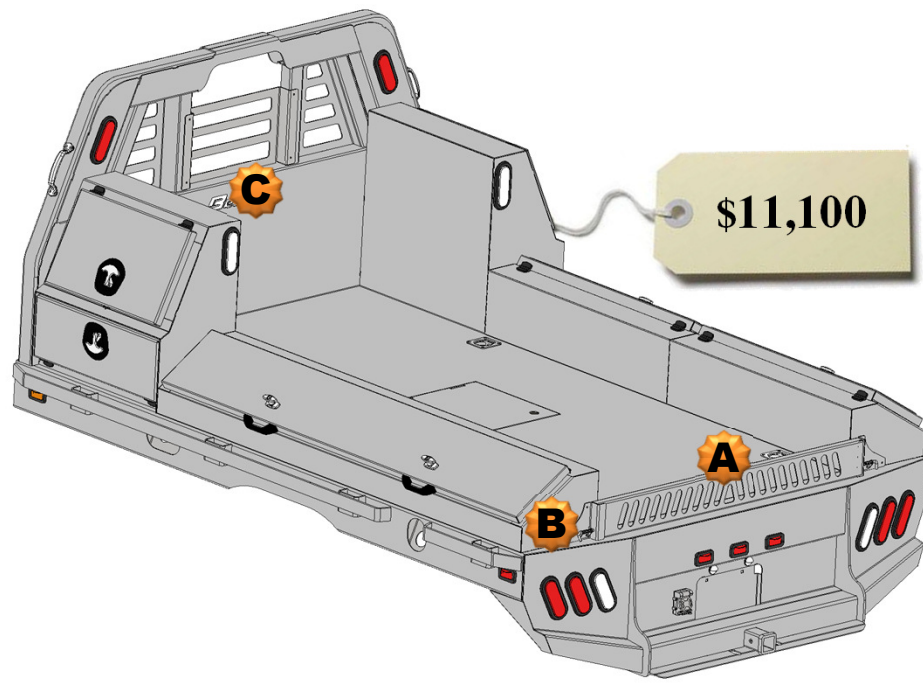
\$10,510

**All Options Bed
112 Flatbed w/Toolboxes
15" Deep**

- 2 - 27" Front Mount Toolboxes
- 2 - 78" Taper Toolboxes

Optional Parts included in price

Any options not required subtract from Complete Bed Price.
A. Formed Tailgate - \$150.00
B. Tailgate Brackets - \$30.00 pair
C. Center Window Guard - \$100.00



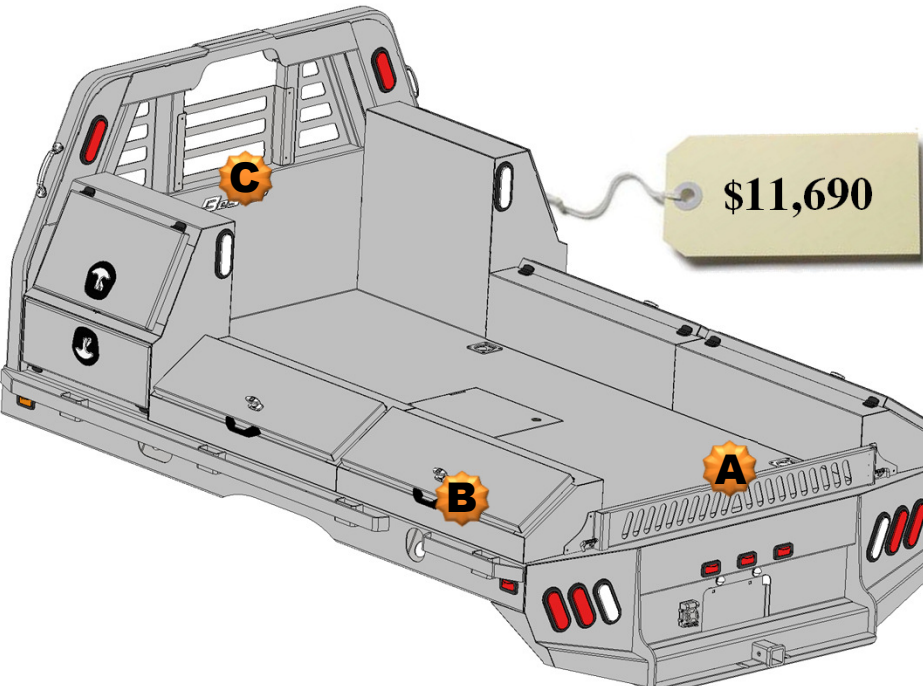
\$11,100

**All Options Bed
112 Flatbed w/Toolboxes
15" Deep**

- 2 - 27" Front Mount Toolboxes
- 1 - 78" Taper Toolbox
- 2 - 39" Taper Toolbox

Optional Parts included in price

Any options not required subtract from Complete Bed Price.
A. Formed Tailgate - \$150.00
B. Tailgate Brackets - \$30.00 pair
C. Center Window Guard - \$100.00



\$11,690

**All Options Bed
112 Flatbed w/Toolboxes
15" Deep**

- 2 - 27" Front Mount Toolboxes
- 4 - 39" Taper Toolboxes

Optional Parts included in price

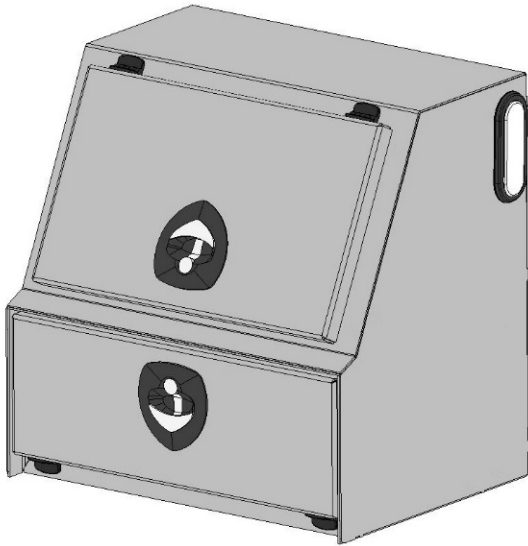
Any options not required subtract from Complete Bed Price.
A. Formed Tailgate - \$150.00
B. Tailgate Brackets - \$30.00 pair
C. Center Window Guard - \$100.00



112" Flatbed

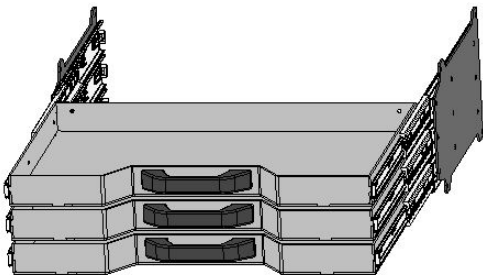
Price and configurations

With 20" Deep Tool boxes

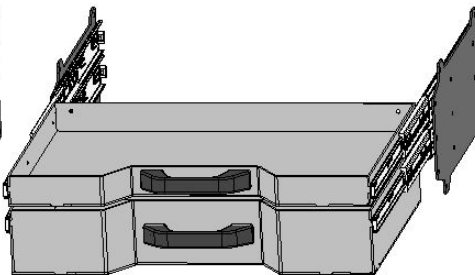


Front Mount Tool box

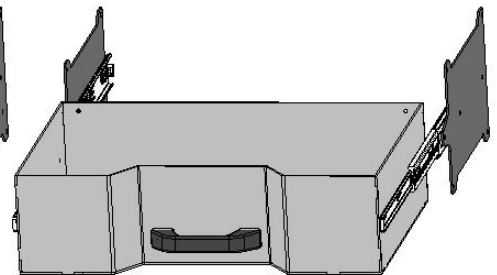
- 27" x 20" x 27"
- Drawers Available 1, 2 or 3 drawers
- Drawer kits can be added later
- Can be ordered with or without Backup light.
- Gas Shocks on Top door
- Screwdriver holders on shelf
- Wrench rack on the top back panel



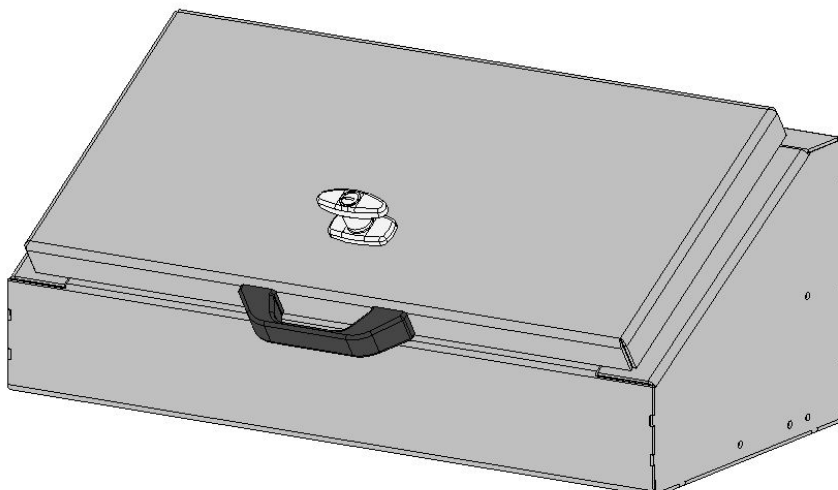
3 drawers 1-3/4" deep



1 drawer 1-3/4" deep
1 drawer 3-7/8" deep



1 drawer 6" deep



Top Taper Tool boxes

Available lengths

- 26"
- 34"
- 39"
- 46"
- 52"
- 68"
- 78"

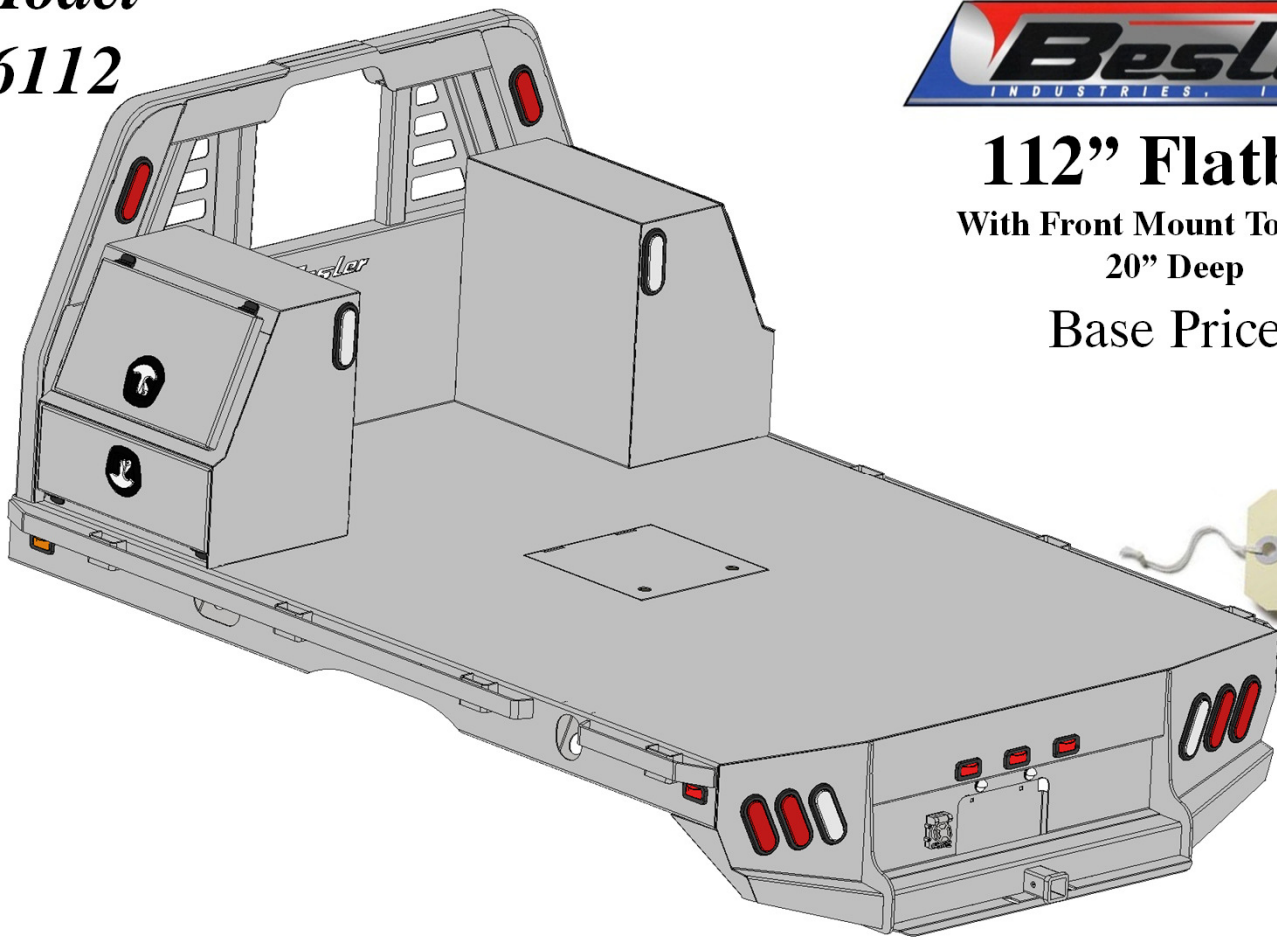
Model
6112



112" Flatbed

With Front Mount Toolboxes
20" Deep

Base Price



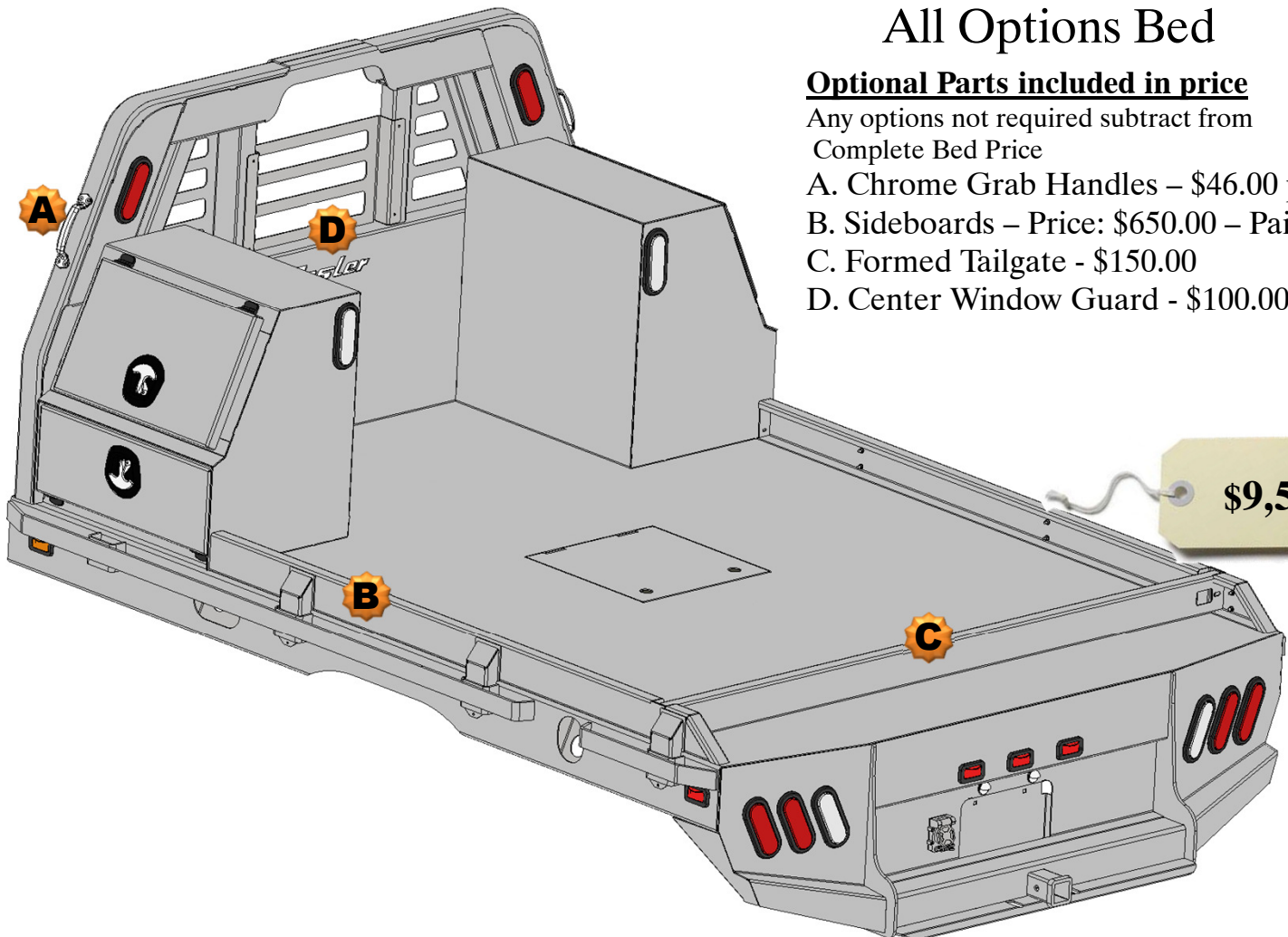
\$8,580

All Options Bed

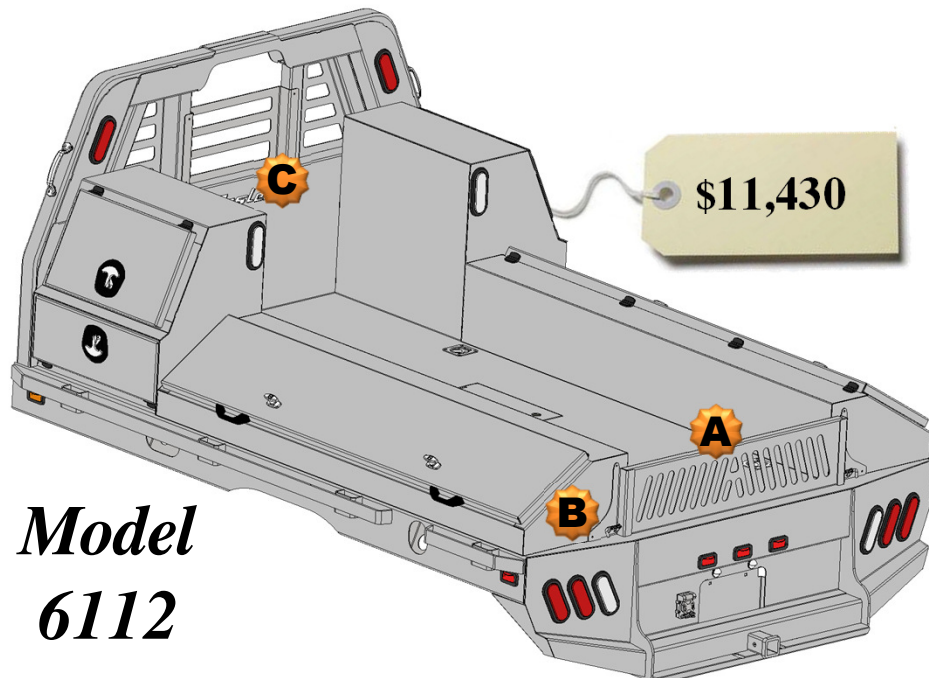
Optional Parts included in price

Any options not required subtract from Complete Bed Price

- A. Chrome Grab Handles – \$46.00 pair
- B. Sideboards – Price: \$650.00 – Pair
- C. Formed Tailgate - \$150.00
- D. Center Window Guard - \$100.00



\$9,526



**Model
6112**

\$11,430

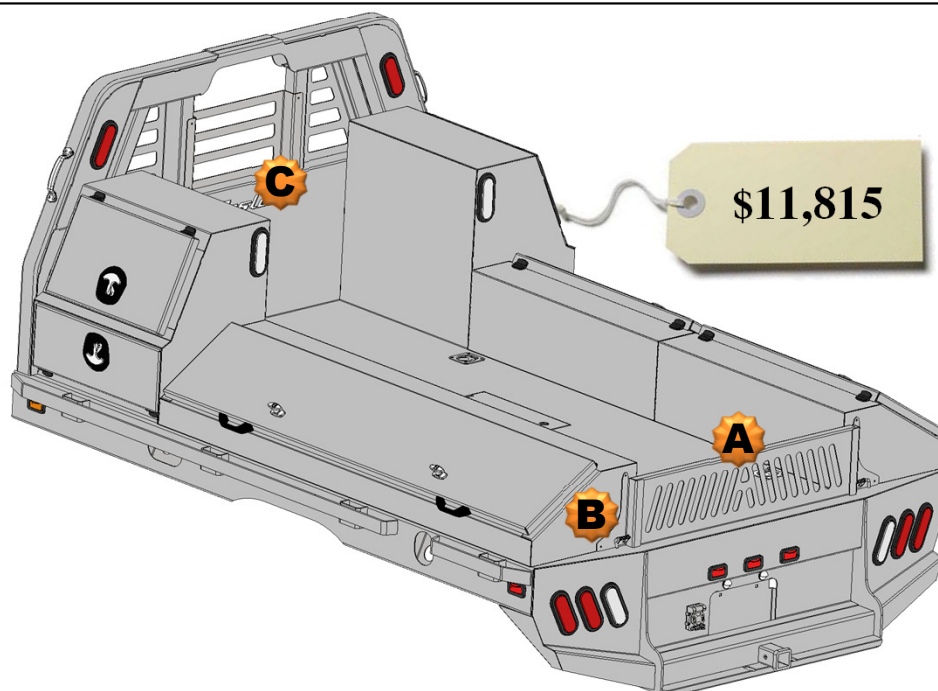
**All Options Bed
112 Flatbed w/Toolboxes
20" Deep**

- 2 - 27" Front Mount Toolboxes
- 2 - 78" Taper Toolboxes

Optional Parts included in price

Any options not required subtract from Complete Bed Price.

- A. Formed Tailgate - \$150.00
- B. Tailgate Brackets - \$30.00 pair
- C. Center Window Guard - \$100.00



\$11,815

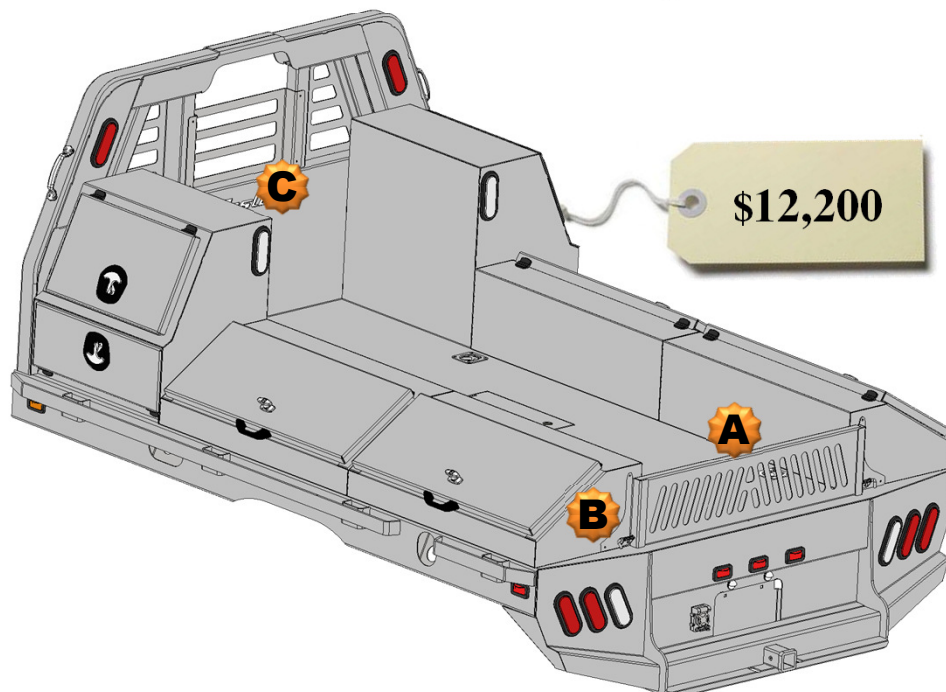
**All Options Bed
112 Flatbed w/Toolboxes
20" Deep**

- 2 - 27" Front Mount Toolboxes
- 1 - 78" Taper Toolbox
- 2 - 39" Taper Toolbox

Optional Parts included in price

Any options not required subtract from Complete Bed Price.

- A. Formed Tailgate - \$150.00
- B. Tailgate Brackets - \$30.00 pair
- C. Center Window Guard - \$100.00



\$12,200

**All Options Bed
112 Flatbed w/Toolboxes
20" Deep**

- 2 - 27" Front Mount Toolboxes
- 4 - 39" Taper Toolboxes

Optional Parts included in price

Any options not required subtract from Complete Bed Price.

- A. Formed Tailgate - \$150.00
- B. Tailgate Brackets - \$30.00 pair
- C. Center Window Guard - \$100.00