



# 6102 Series Flatbed

## Options & Price Guide



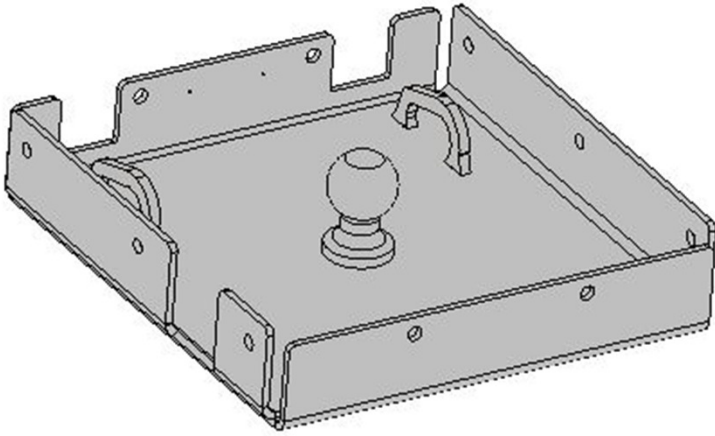


# Fifth Wheel Options

## Standard Recessed Ball

30,000 lbs 5th wheel ball included

\$200.00 Retail Price

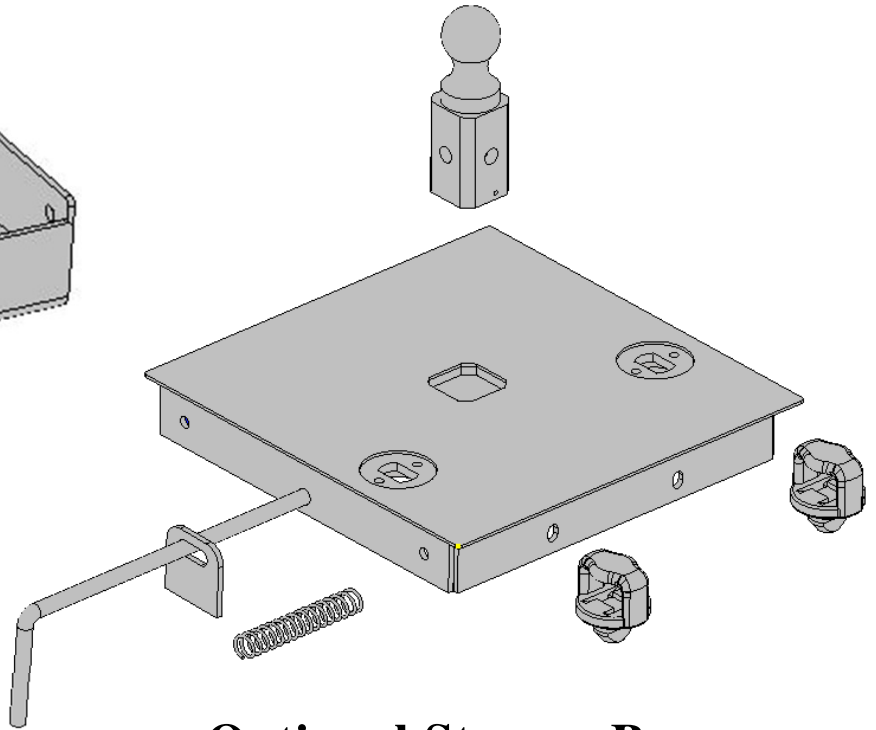


## Optional Flush Mount

### Flip Over Ball

Upgrade from standard

5<sup>th</sup> wheel - \$450.00

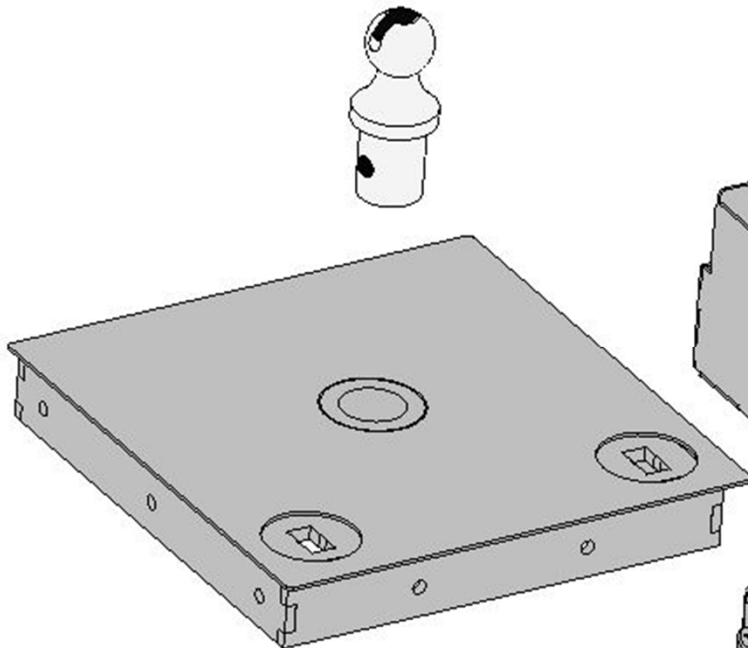


## Optional Flush Mount For Drop In Ball

Upgrade from standard

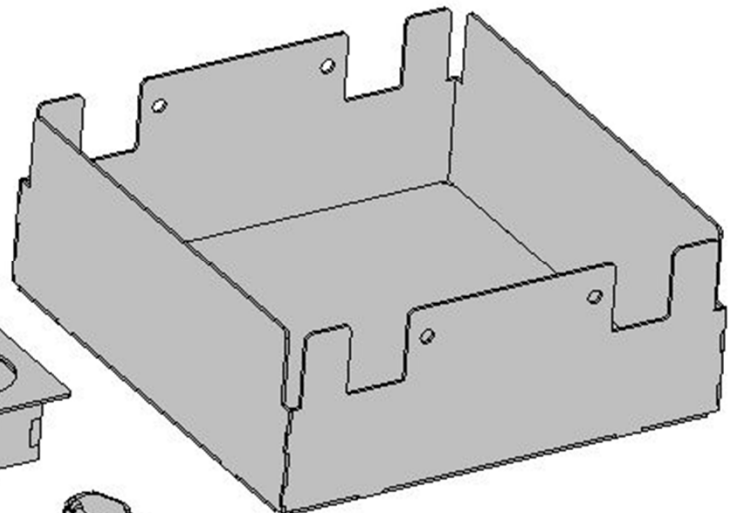
5<sup>th</sup> wheel - \$400.00 Net

Ball and Puck \$300.00 Net



## Optional Storage Box

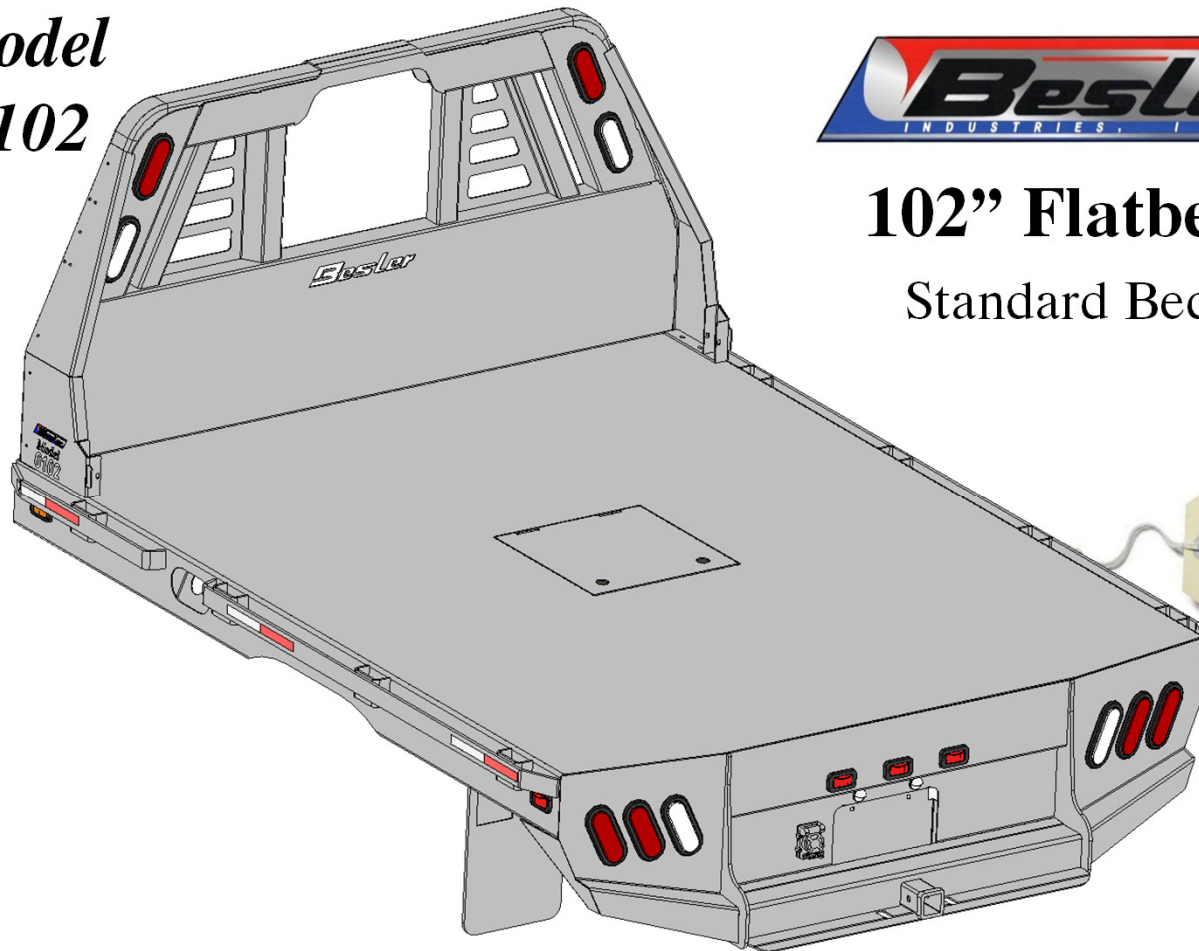
\$190.00 Retail Price



**Model**  
**6102**

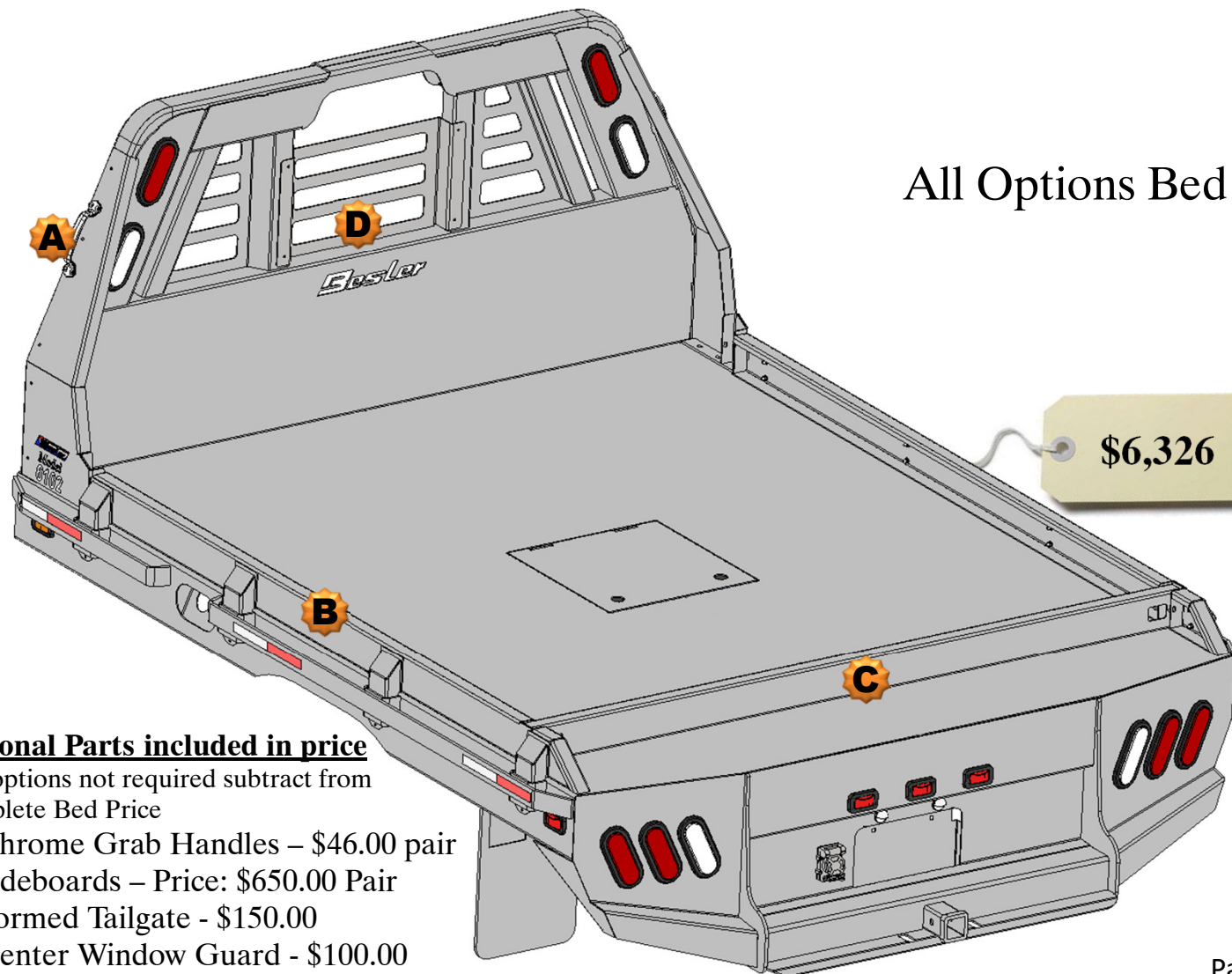


**102" Flatbed**  
Standard Bed



**\$5,380**

All Options Bed



**\$6,326**

**Optional Parts included in price**

Any options not required subtract from Complete Bed Price

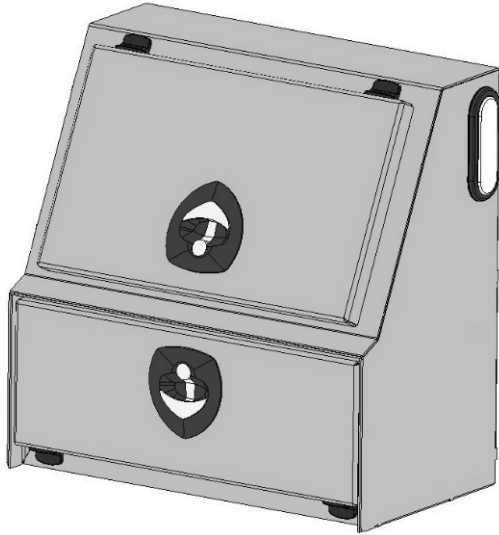
- A. Chrome Grab Handles – \$46.00 pair
- B. Sideboards – Price: \$650.00 Pair
- C. Formed Tailgate - \$150.00
- D. Center Window Guard - \$100.00



# 102" Flatbed

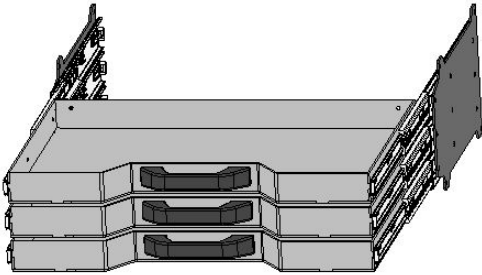
## Price and configurations

### With 15" Deep Tool boxes

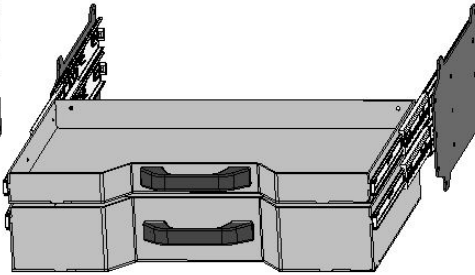


#### Front Mount Tool box

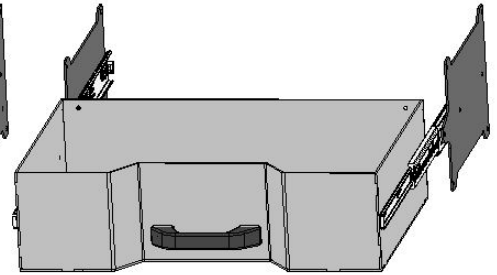
- 27" x 15" x 27"
- Drawers Available 1, 2 or 3 drawers
- Drawer kits can be added later
- Can be ordered with or without Backup light.
- Gas Shocks on Top door
- Screwdriver holders on shelf
- Wrench rack on the top back panel



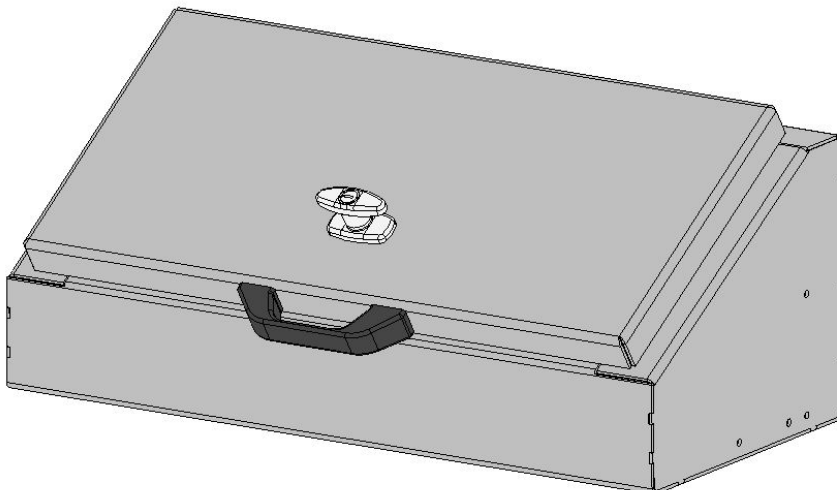
3 drawers 1-3/4" deep



1 drawer 1-3/4" deep  
1 drawer 3-7/8" deep



1 drawer 6" deep



#### Top Taper Tool boxes

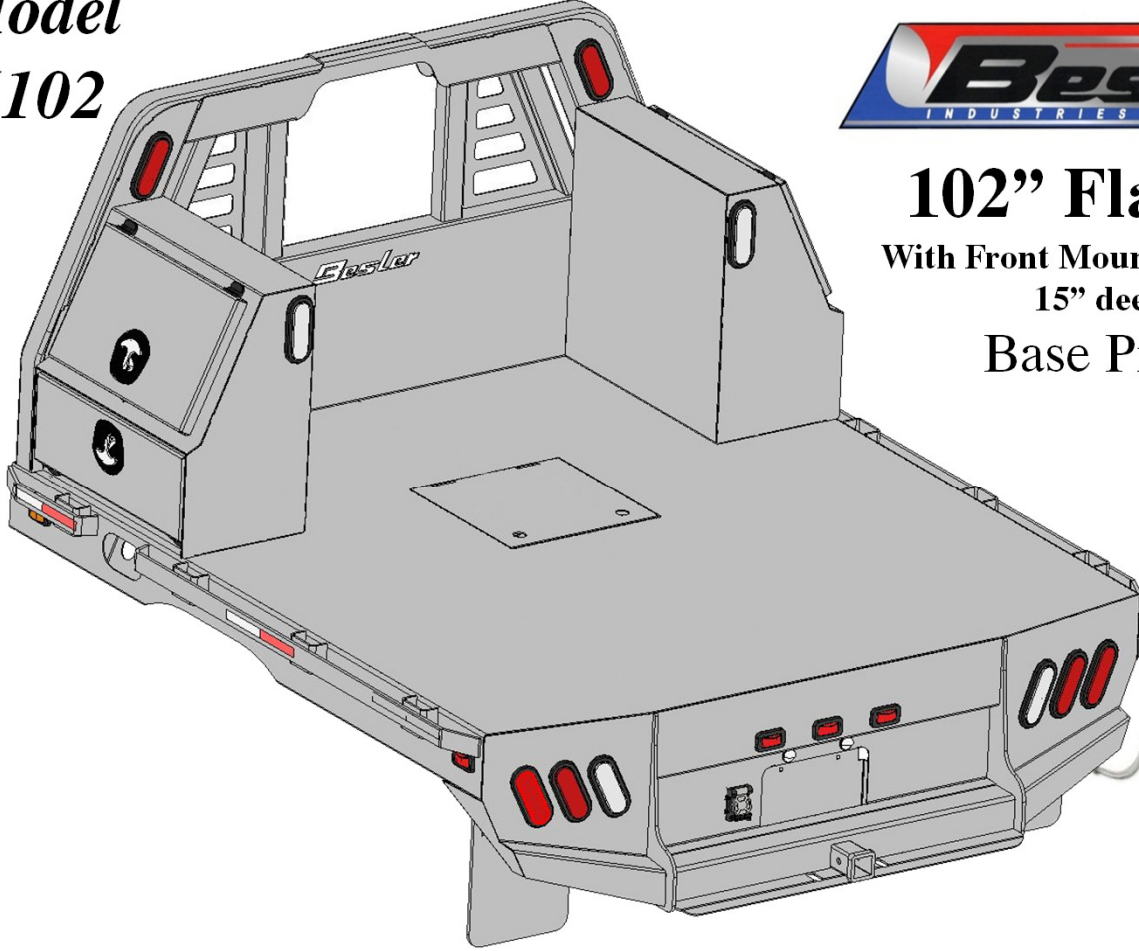
##### Available lengths

- 26"
- 34"
- 39"
- 46"
- 52"
- 68"
- 78"

**Model**  
**6102**



**102" Flatbed**  
With Front Mount Toolboxes  
15" deep  
Base Price

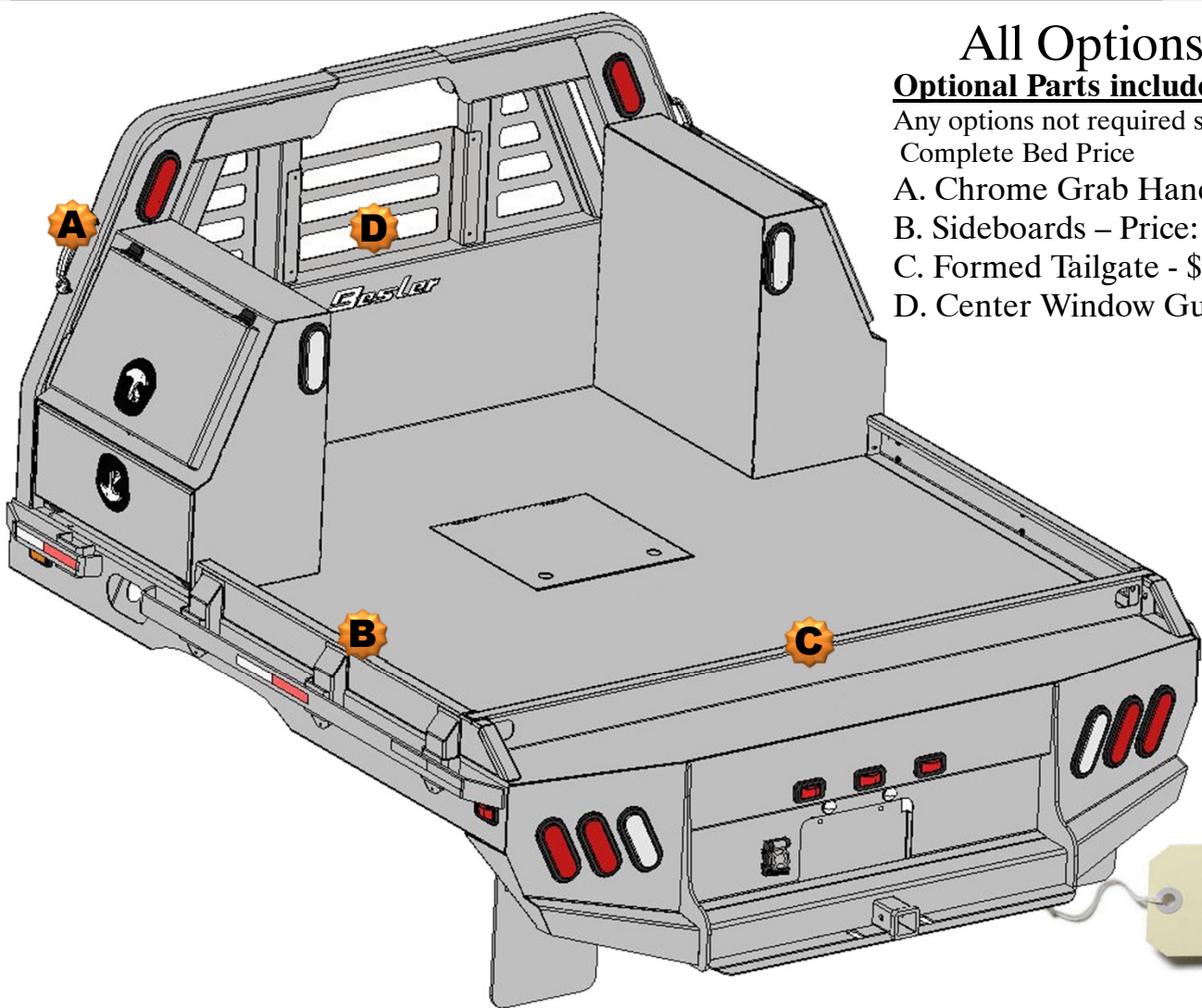


**\$7,850**

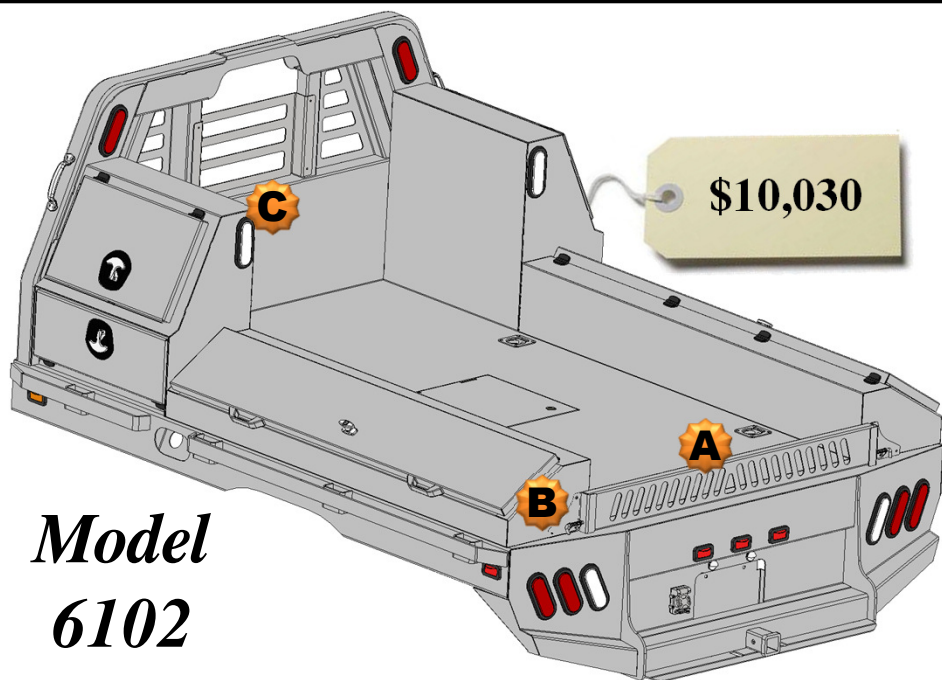
**All Options Bed**

**Optional Parts included in price**  
Any options not required subtract from Complete Bed Price

- A. Chrome Grab Handles – \$46.00 pair
- B. Sideboards – Price: \$650.00 – Pair
- C. Formed Tailgate - \$150.00
- D. Center Window Guard - \$100.00



**\$8,796**



**Model  
6102**

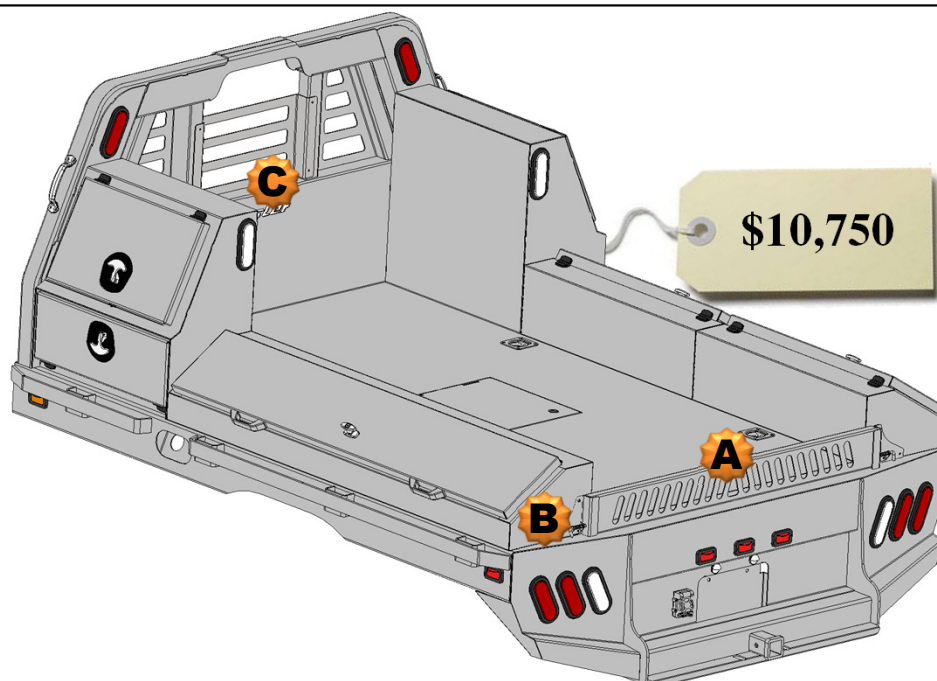
**All Options Bed**  
102 Flatbed w/Toolboxes  
**15" Deep**

- 2 - 27" Front Mount Toolboxes
- 2 - 68" Taper Toolboxes

**Optional Parts included in price**

Any options not required subtract from Complete Bed Price.

- A. Formed Tailgate - \$150.00
- B. Tailgate Brackets - \$30.00 pair
- C. Center Window Guard - \$100.00



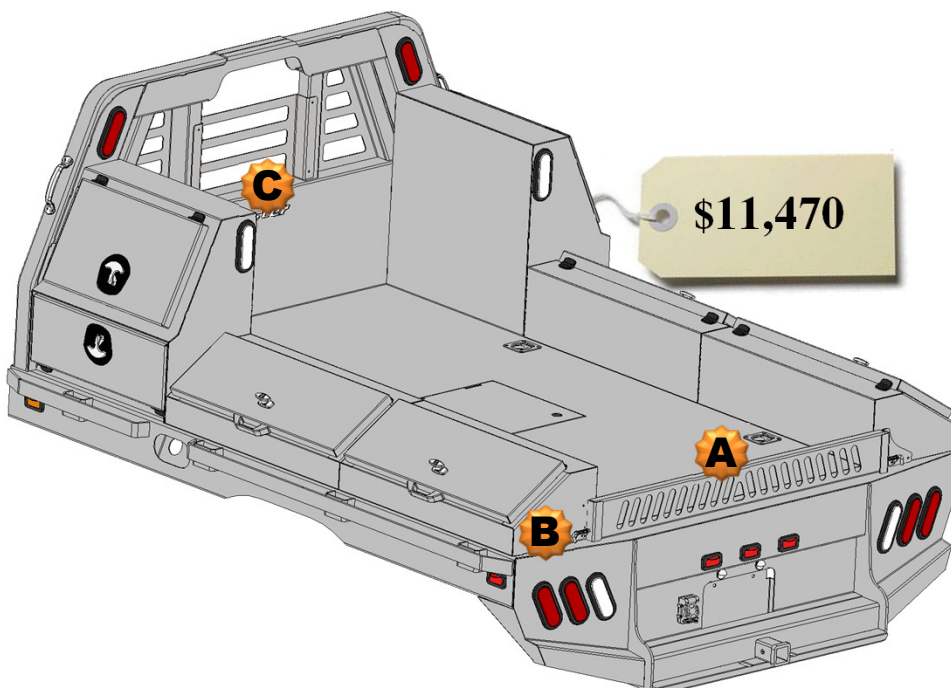
**All Options Bed**  
102 Flatbed w/Toolboxes  
**15" Deep**

- 2 - 27" Front Mount Toolboxes
- 1 - 68" Taper Toolbox
- 2 - 34" Taper Toolbox

**Optional Parts included in price**

Any options not required subtract from Complete Bed Price.

- A. Formed Tailgate - \$150.00
- B. Tailgate Brackets - \$30.00 pair
- C. Center Window Guard - \$100.00



**All Options Bed**  
102 Flatbed w/Toolboxes  
**15" Deep**

- 2 - 27" Front Mount Toolboxes
- 4 - 34" Taper Toolboxes

**Optional Parts included in price**

Any options not required subtract from Complete Bed Price.

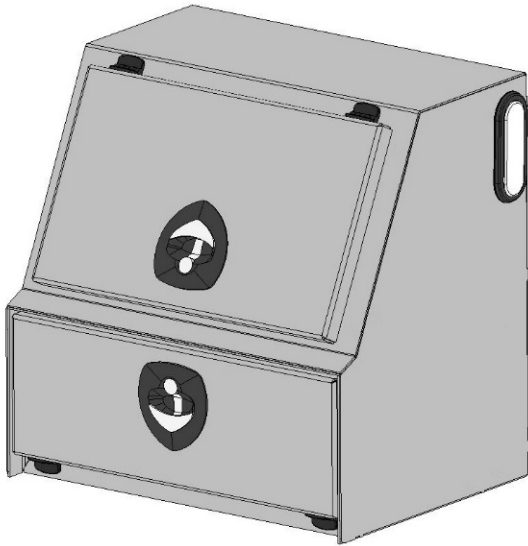
- A. Formed Tailgate - \$150.00
- B. Tailgate Brackets - \$30.00 pair
- C. Center Window Guard - \$100.00



# 102" Flatbed

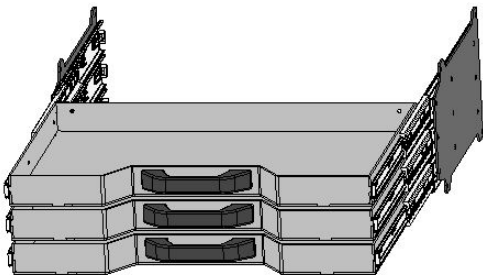
## Price and configurations

### With 20" Deep Tool boxes

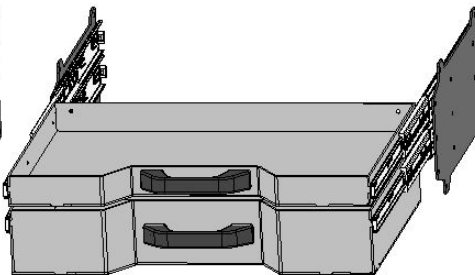


#### Front Mount Tool box

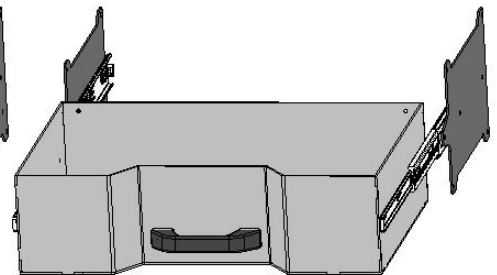
- 27" x 20" x 27"
- Drawers Available 1, 2 or 3 drawers
- Drawer kits can be added later
- Can be ordered with or without Backup light.
- Gas Shocks on Top door
- Screwdriver holders on shelf
- Wrench rack on the top back panel



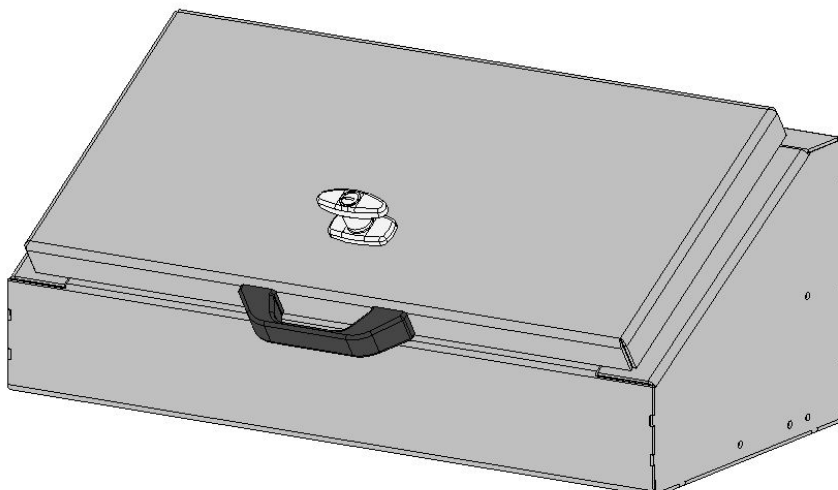
3 drawers 1-3/4" deep



1 drawer 1-3/4" deep  
1 drawer 3-7/8" deep



1 drawer 6" deep



#### Top Taper Tool boxes

##### Available lengths

- 26"
- 34"
- 39"
- 46"
- 52"
- 68"
- 78"

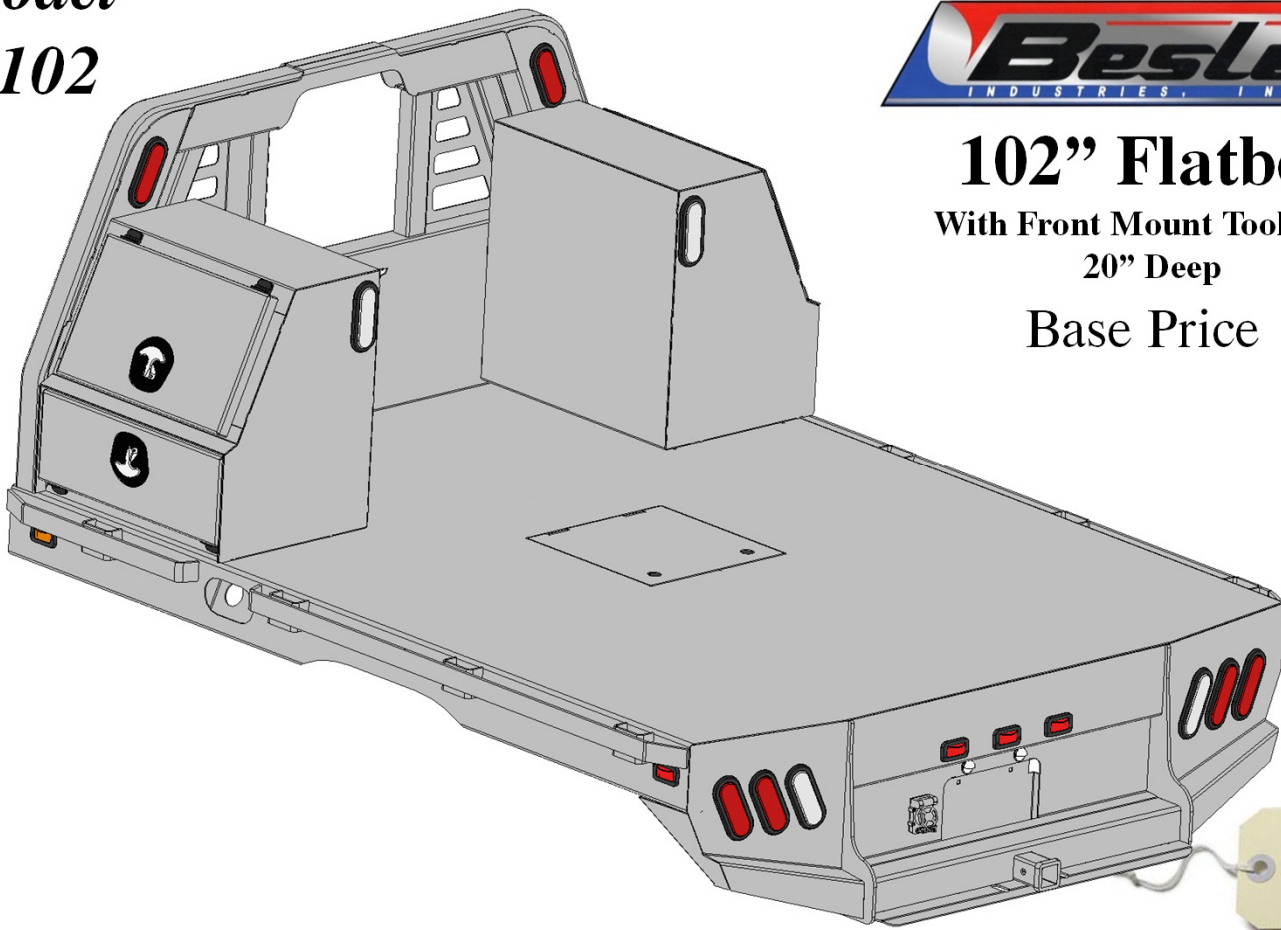
**Model  
6102**



**102" Flatbed**

**With Front Mount Toolboxes  
20" Deep**

**Base Price**



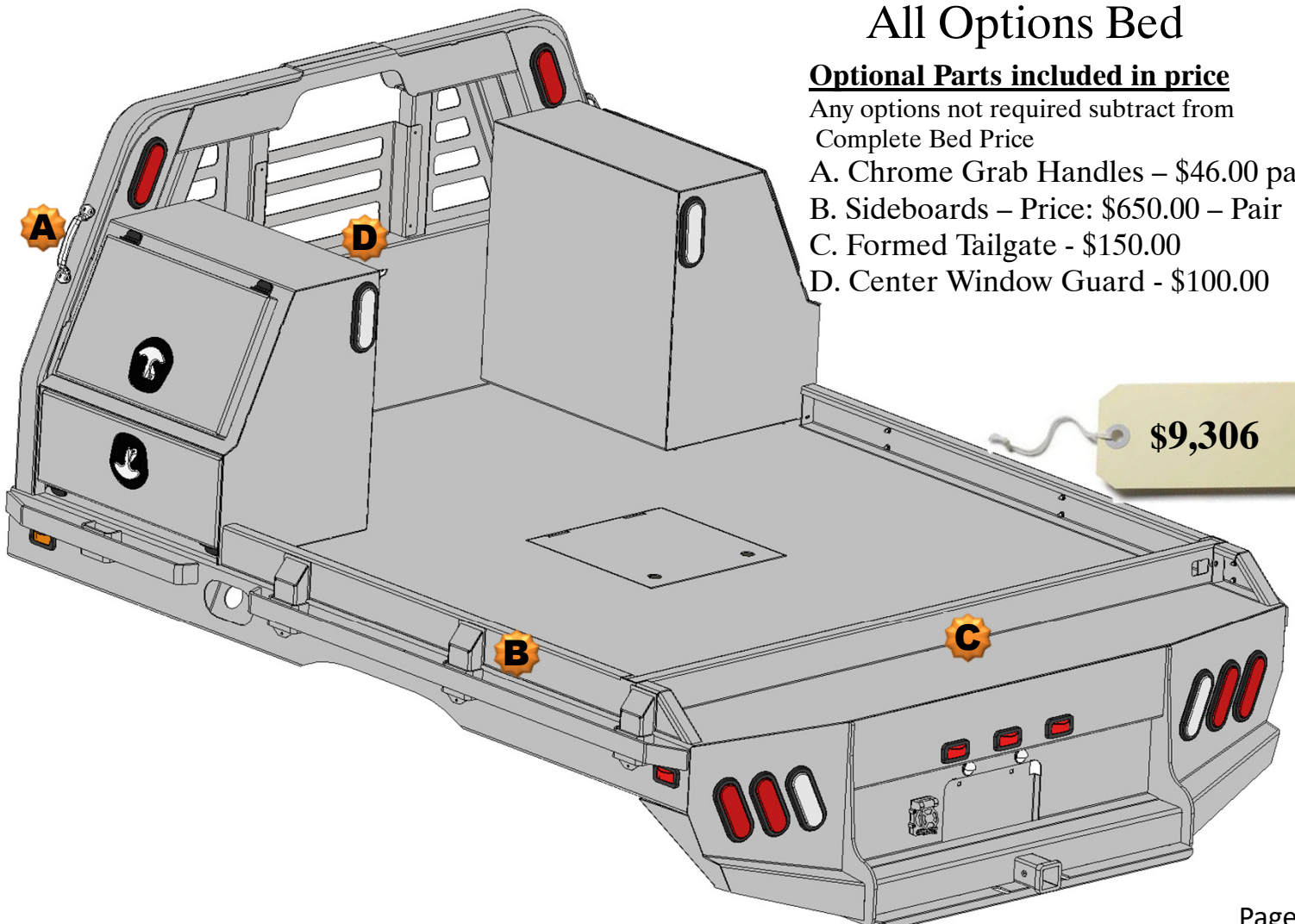
**\$8,360**

**All Options Bed**

**Optional Parts included in price**

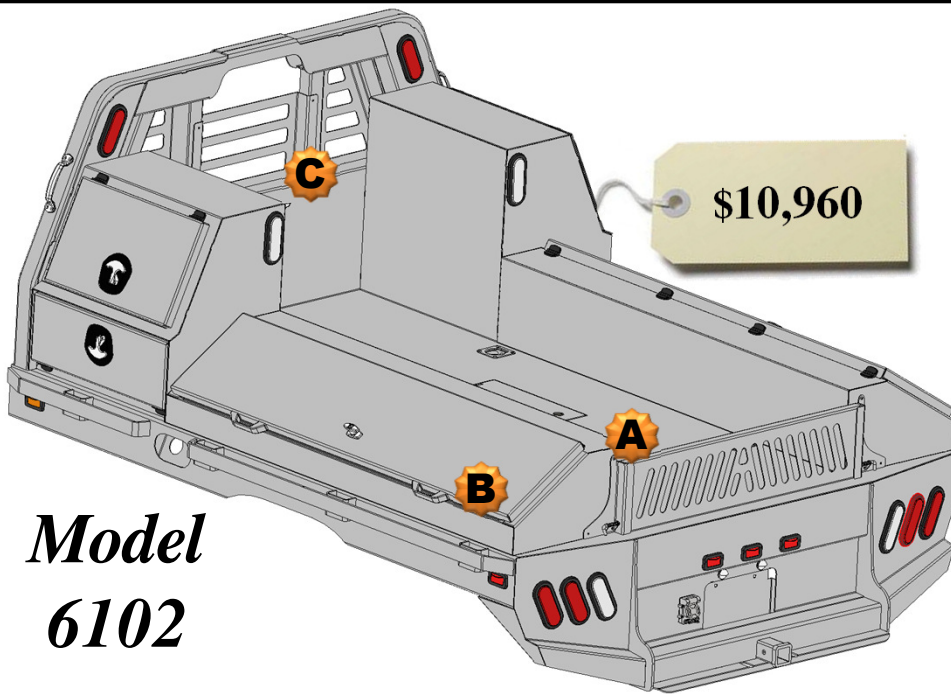
Any options not required subtract from Complete Bed Price

- A. Chrome Grab Handles – \$46.00 pair
- B. Sideboards – Price: \$650.00 – Pair
- C. Formed Tailgate - \$150.00
- D. Center Window Guard - \$100.00



**\$9,306**





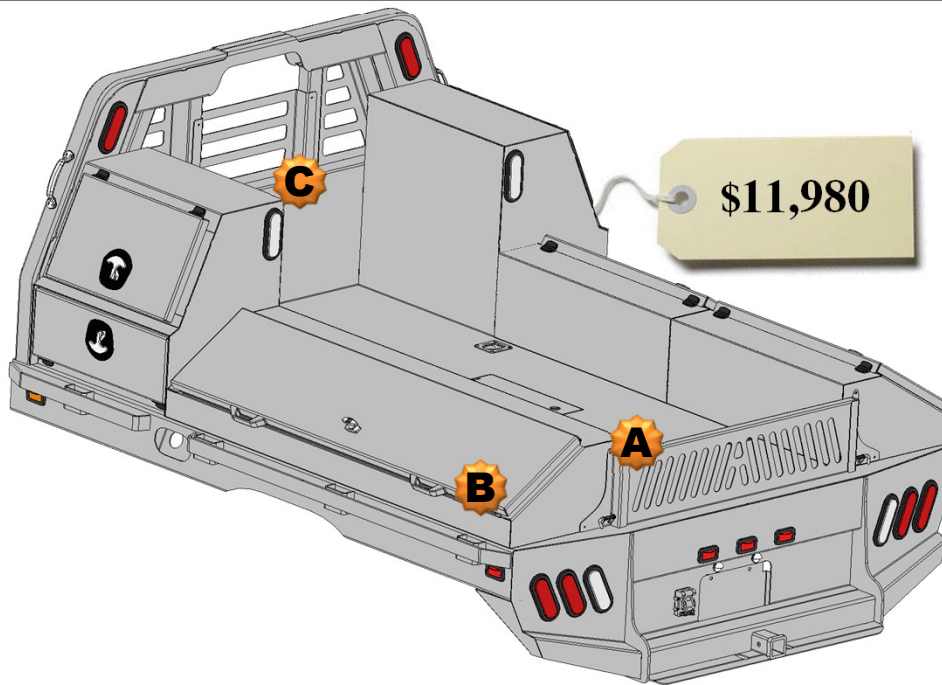
**Model  
6102**

**All Options Bed**  
102 Flatbed w/Toolboxes  
**20" Deep**

- 2 – 27" Front Mount Toolboxes
- 2 – 68" Taper Toolboxes

**Optional Parts included in price**

- Any options not required subtract from Complete Bed Price.
- A. Formed Tailgate - \$150.00
  - B. Tailgate Brackets - \$30.00 pair
  - C. Center Window Guard - \$100.00

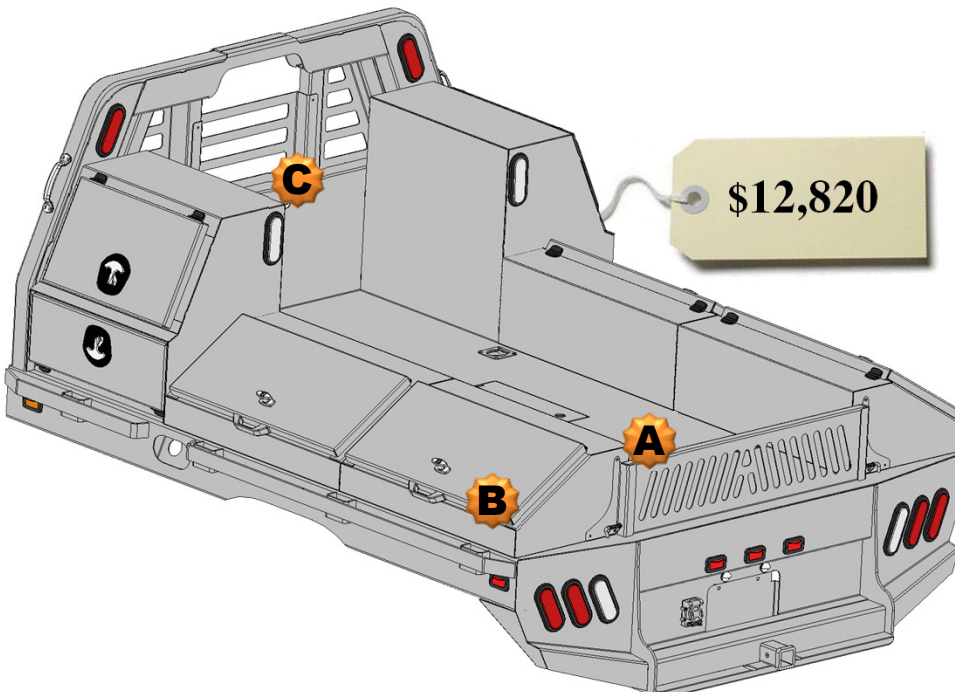


**All Options Bed**  
102 Flatbed w/Toolboxes  
**20" Deep**

- 2 – 27" Front Mount Toolboxes
- 1 – 68" Taper Toolbox
- 2 – 34" Taper Toolbox

**Optional Parts included in price**

- Any options not required subtract from Complete Bed Price.
- A. Formed Tailgate - \$150.00
  - B. Tailgate Brackets - \$30.00 pair
  - C. Center Window Guard – \$100.00



**All Options Bed**  
102 Flatbed w/Toolboxes  
**20" Deep**

- 2 – 27" Front Mount Toolboxes
- 4 – 34" Taper Toolboxes

**Optional Parts included in price**

- Any options not required subtract from Complete Bed Price.
- A. Formed Tailgate - \$150.00
  - B. Tailgate Brackets - \$30.00 pair
  - C. Center Window Guard - \$100.00