



6087 Series Flatbed

Options & Price Guide



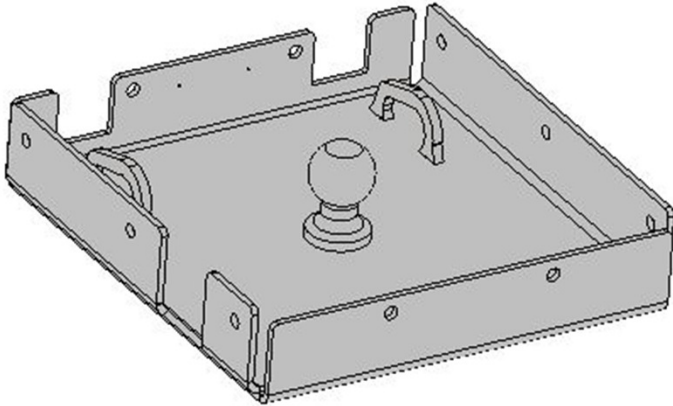


Fifth Wheel Options

Standard Recessed Ball

30,000 lbs 5th wheel ball included

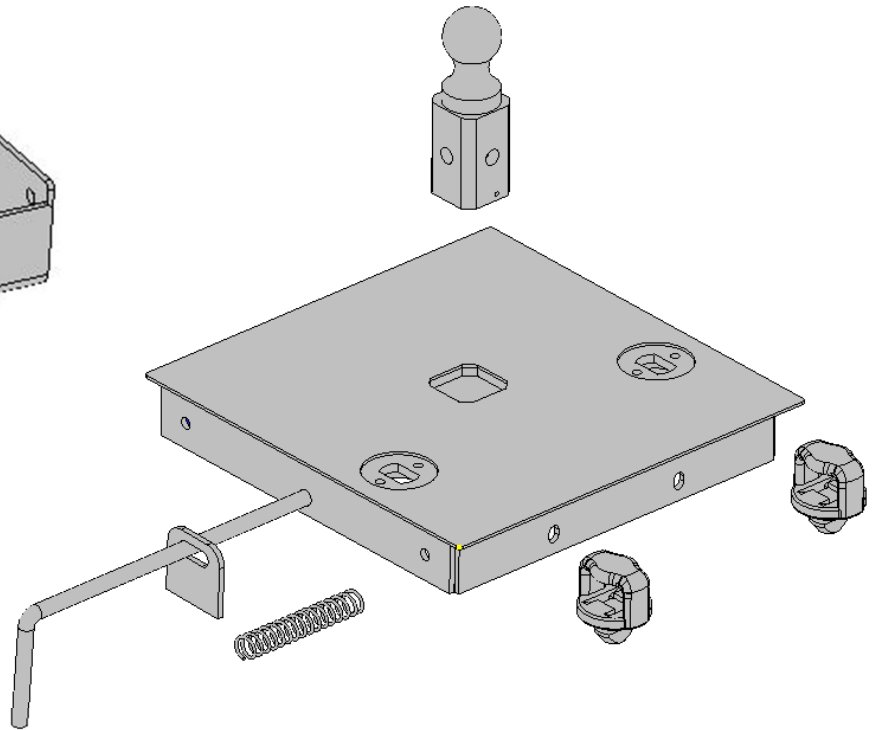
\$200.00 Retail Price



Optional Flush Mount

Flip Over Ball

Upgrade from standard 5th wheel - \$450.00

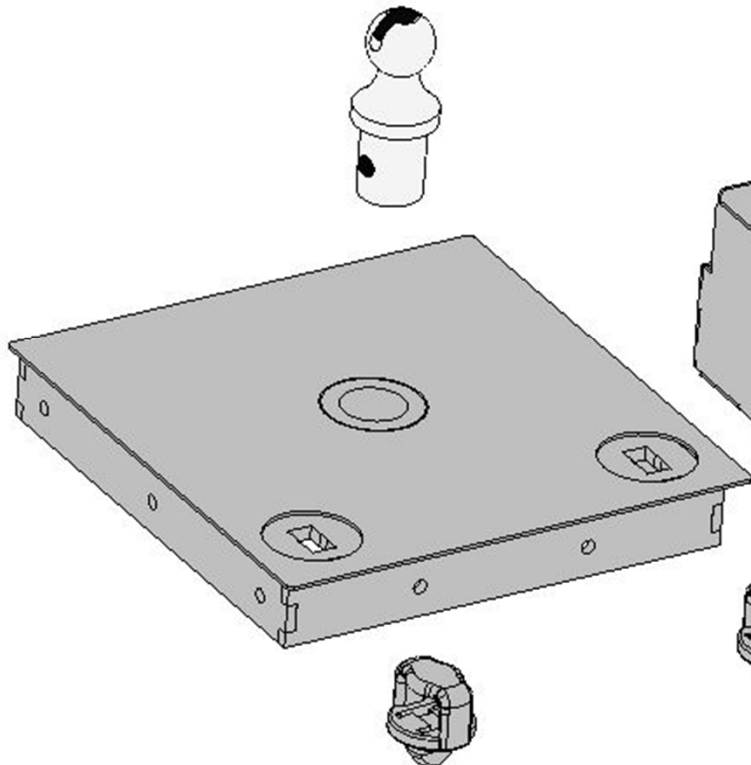


Optional Flush Mount For Drop In Ball

Upgrade from standard

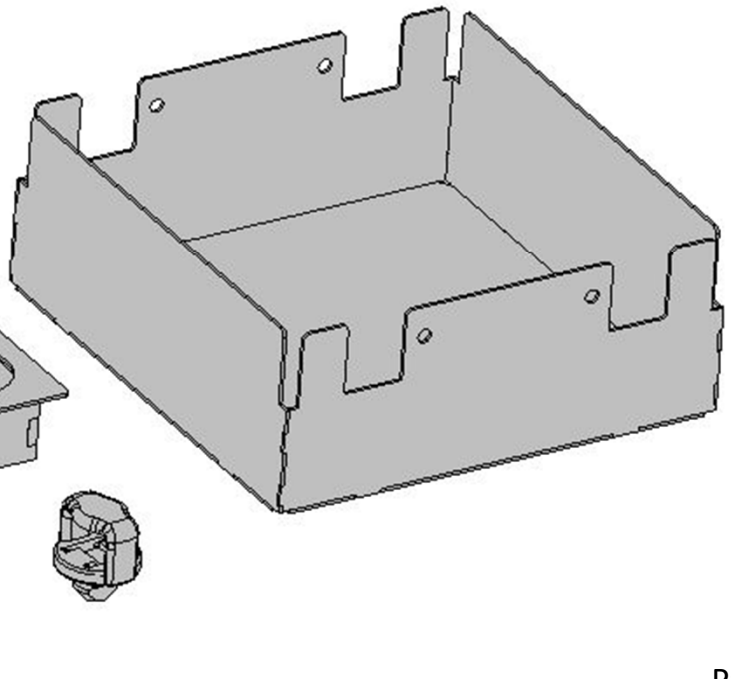
5th wheel - \$400.00

Ball and Puck \$300.00 Net



Optional Storage Box

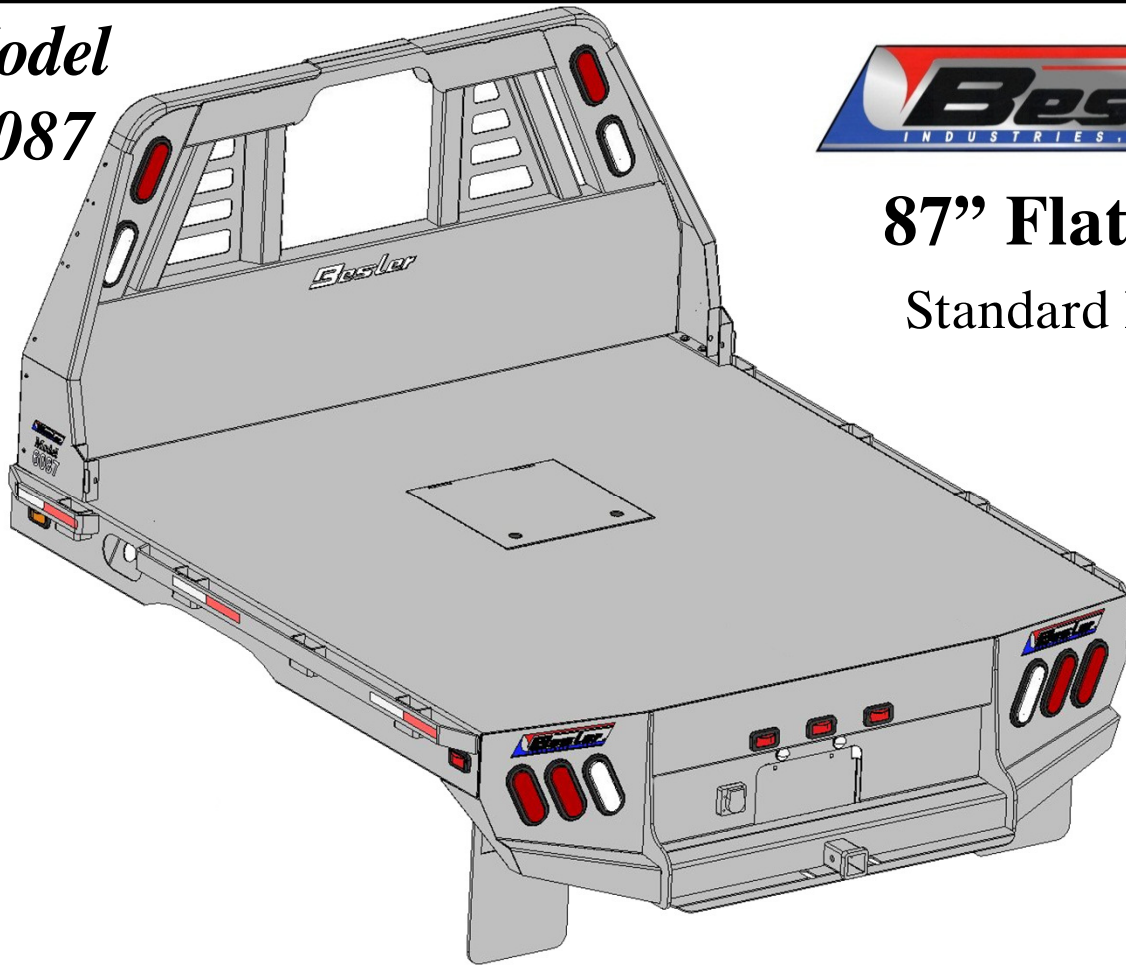
\$190.00 Retail Price



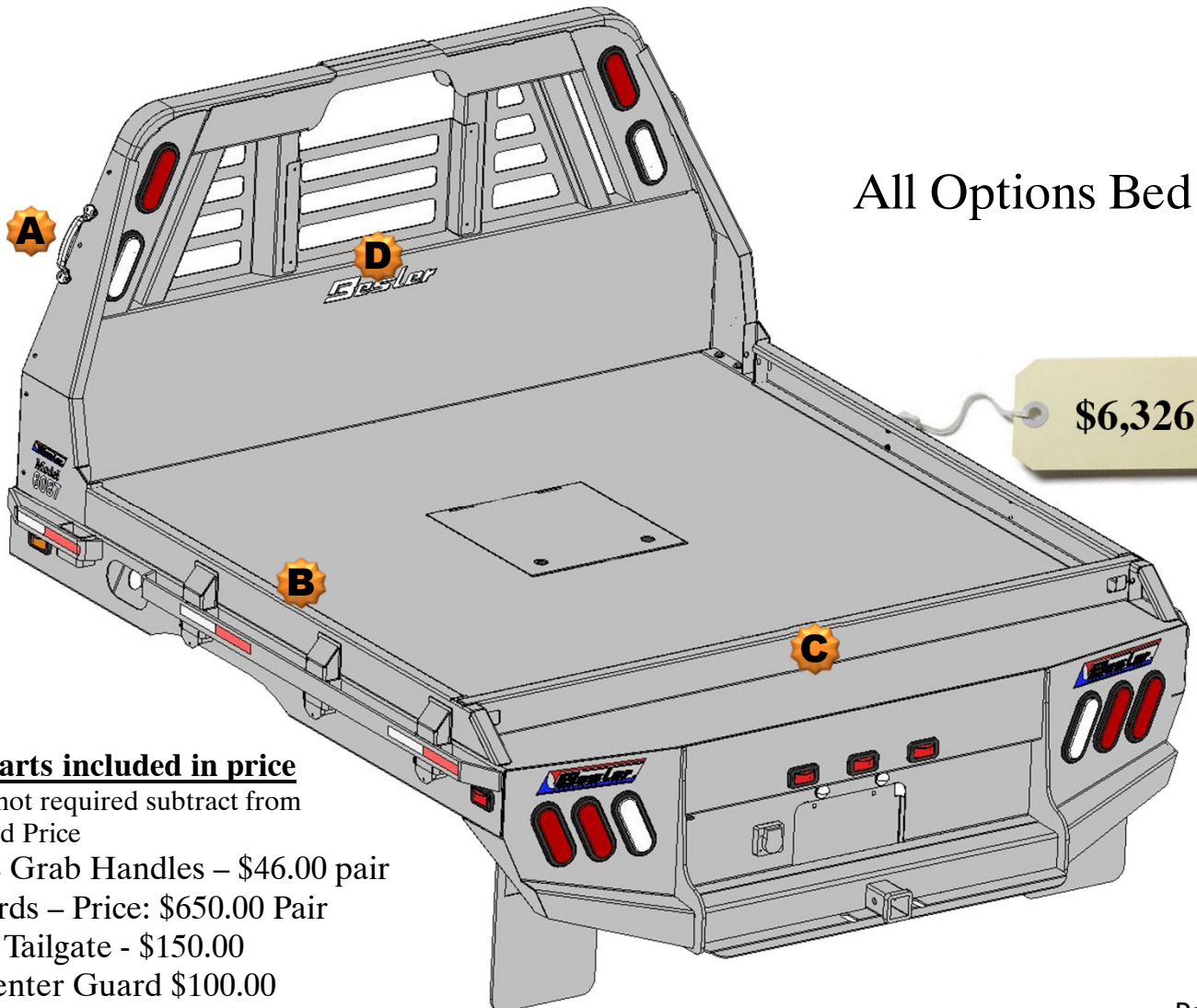
**Model
6087**



**87" Flatbed
Standard Bed**



\$5,380



All Options Bed

\$6,326

Optional Parts included in price

Any options not required subtract from Complete Bed Price

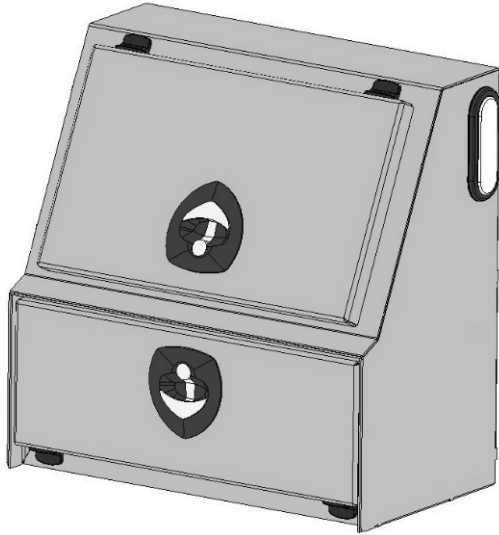
- A. Chrome Grab Handles – \$46.00 pair
- B. Sideboards – Price: \$650.00 Pair
- C. Formed Tailgate - \$150.00
- D. Rack Center Guard \$100.00



87" Flatbed

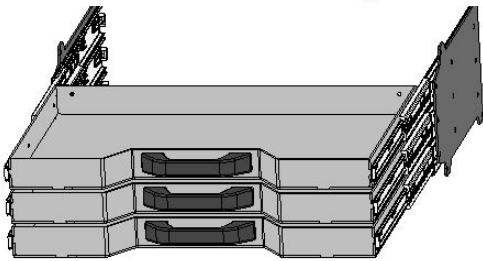
Price and configurations

With 15" Deep Tool boxes

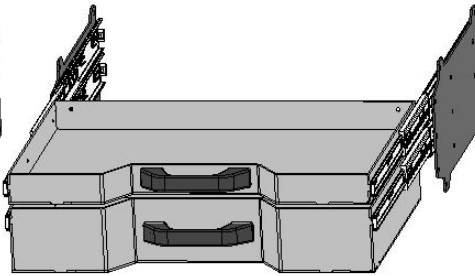


Front Mount Tool box

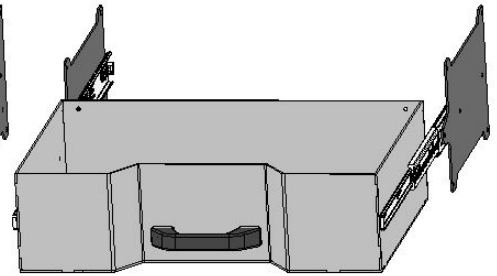
- 27" x 15" Deep
- Drawers Available 1, 2 or 3 drawers
- Drawer kits can be added later
- Can be ordered with or without Backup light.
- Gas Shocks on Top door
- Screwdriver holders on shelf
- Wrench rack on the top back panel



3 drawers 1-3/4" deep



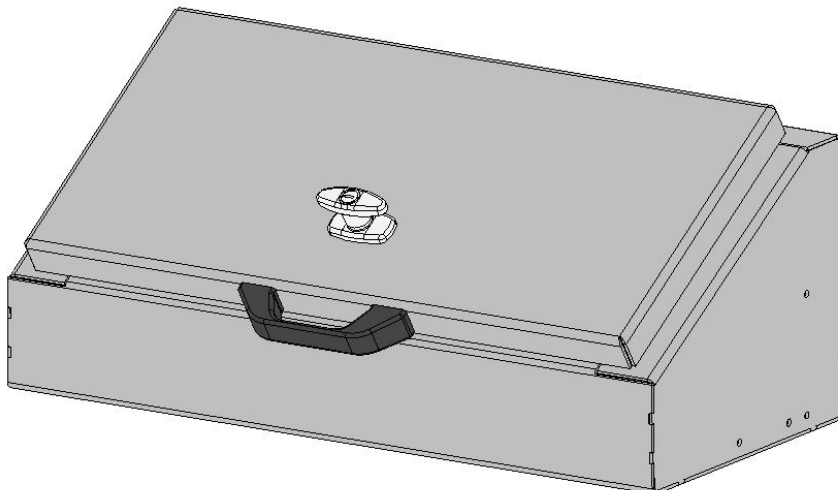
1 drawer 1-3/4" deep
1 drawer 3-7/8" deep



1 drawer 6" deep

CAUTION

The front mount tool box is 27" tall. On an 87" bed there may be a clearance issue if you plan on pulling a gooseneck trailer. Depending on the style of gooseneck.



Top Taper Tool boxes

Available lengths

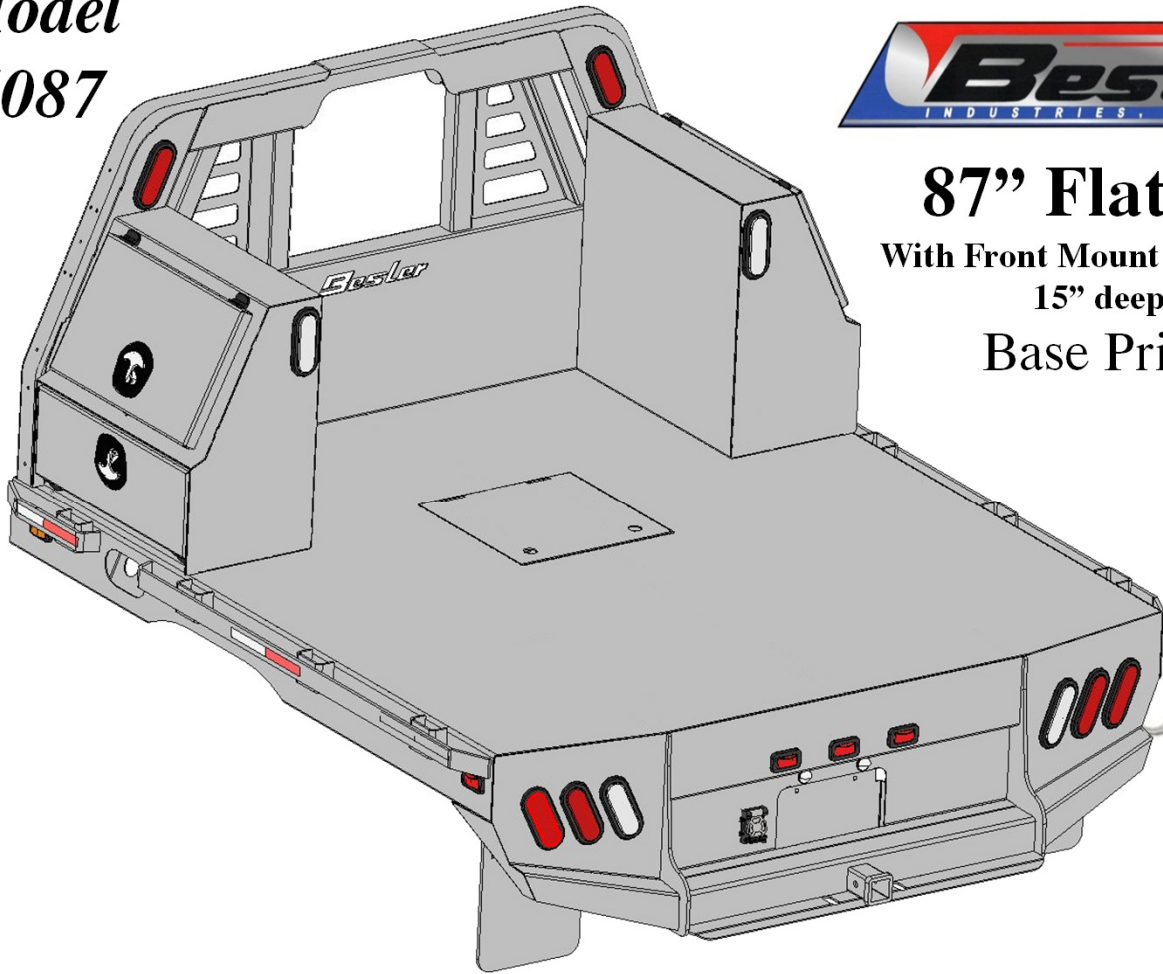
- 26"
- 34"
- 39"
- 46"
- 52"
- 68"
- 78"

**Model
6087**



87" Flatbed

With Front Mount Toolboxes
15" deep
Base Price



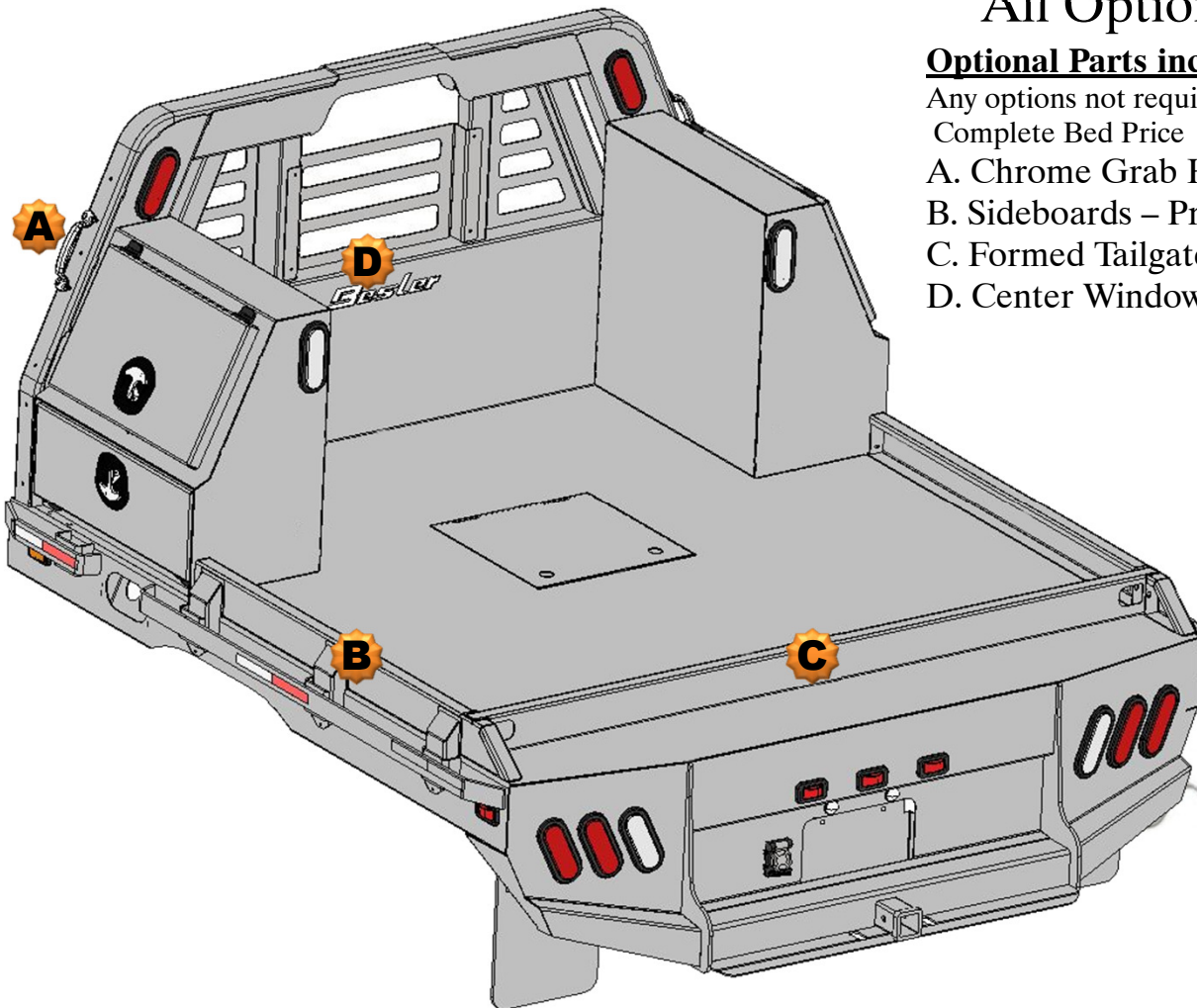
\$7,850

All Options Bed

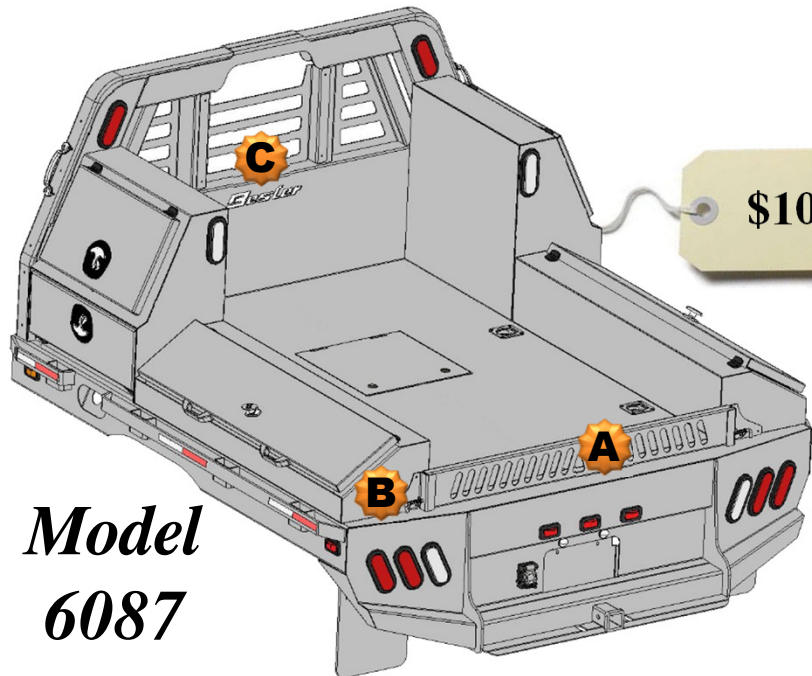
Optional Parts included in price

Any options not required subtract from Complete Bed Price

- A. Chrome Grab Handles – \$46.00 pair
- B. Sideboards – Price: \$650.00 – Pair
- C. Formed Tailgate - \$150.00
- D. Center Window Guard - \$100.00



\$8,796



**Model
6087**

\$10,030

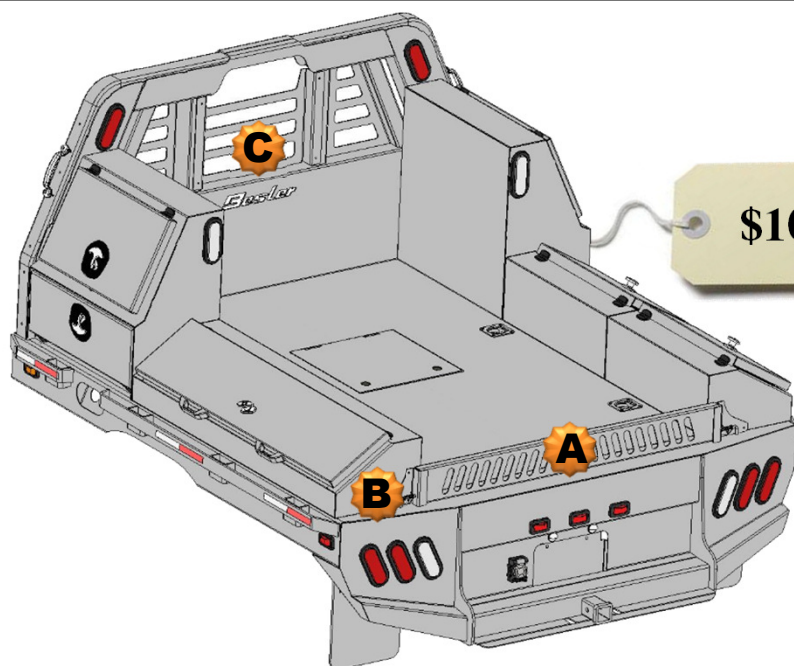
**All Options Bed
87 Flatbed w/Toolboxes
15" Deep**

**2 – 27" Front Mount Toolboxes
2 – 52" Taper Toolboxes**

Optional Parts included in price

Any options not required subtract from Complete Bed Price.

- A. Formed Tailgate - \$150.00
- B. Tailgate Brackets - \$30.00 pair
- C. Center Window Guard - \$100.00



\$10,750

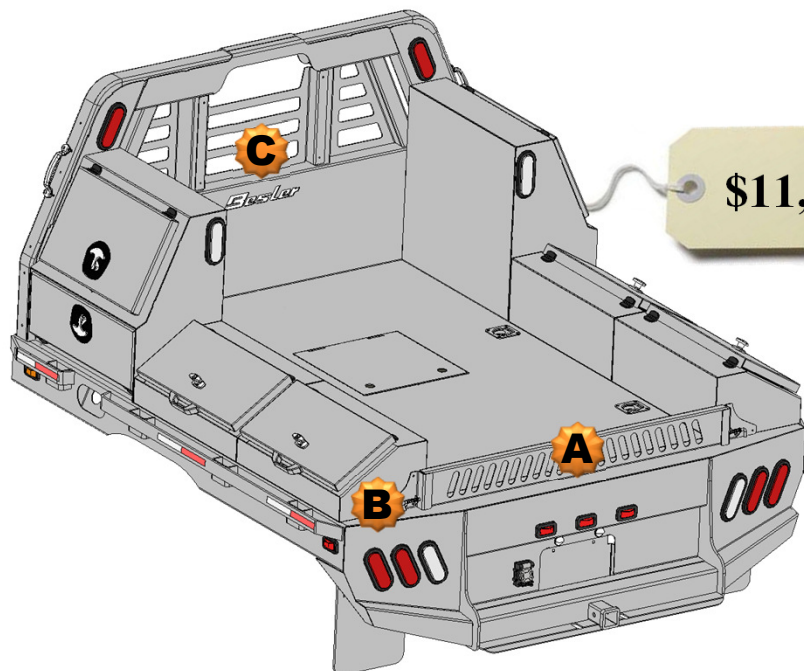
**All Options Bed
87 Flatbed w/Toolboxes
15" Deep**

**2 – 27" Front Mount Toolboxes
1 – 52" Taper Toolbox
2 – 26" Taper Toolbox**

Optional Parts included in price

Any options not required subtract from Complete Bed Price.

- A. Formed Tailgate - \$150.00
- B. Tailgate Brackets - \$30.00 pair
- C. Center Window Guard - \$100.00



\$11,470

**All Options Bed
87 Flatbed w/Toolboxes
15" Deep**

**2 – 27" Front Mount Toolboxes
4 – 26" Taper Toolboxes**

Optional Parts included in price

Any options not required subtract from Complete Bed Price.

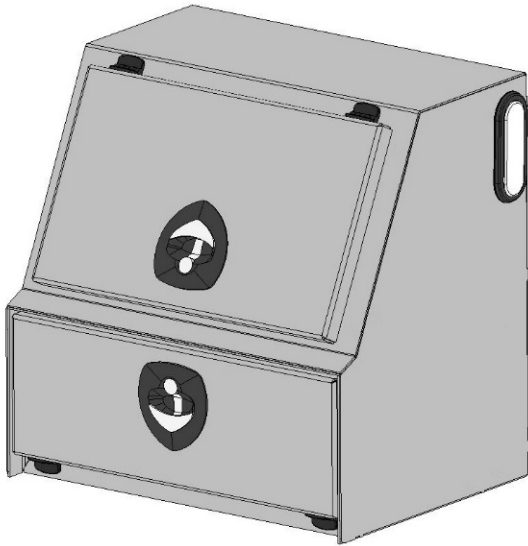
- A. Formed Tailgate - \$150.00
- B. Tailgate Brackets - \$30.00 pair
- C. Center Window Guard - \$100.00



87" Flatbed

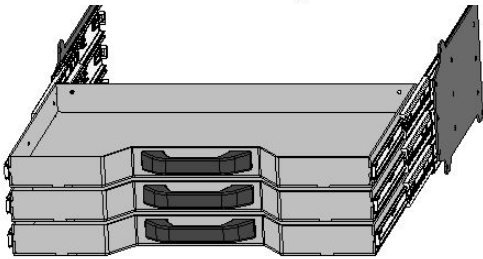
Price and configurations

With 20" Deep Tool boxes

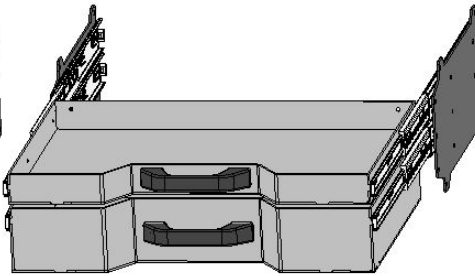


Front Mount Tool box

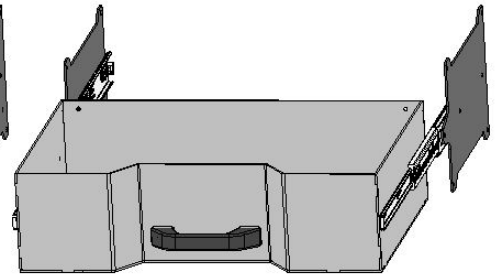
- 27" x 20" Deep
- Drawers Available 1, 2 or 3 drawers
- Drawer kits can be added later
- Can be ordered with or without Backup light.
- Gas Shocks on Top door
- Screwdriver holders on shelf
- Wrench rack on the top back panel



3 drawers 1-3/4" deep



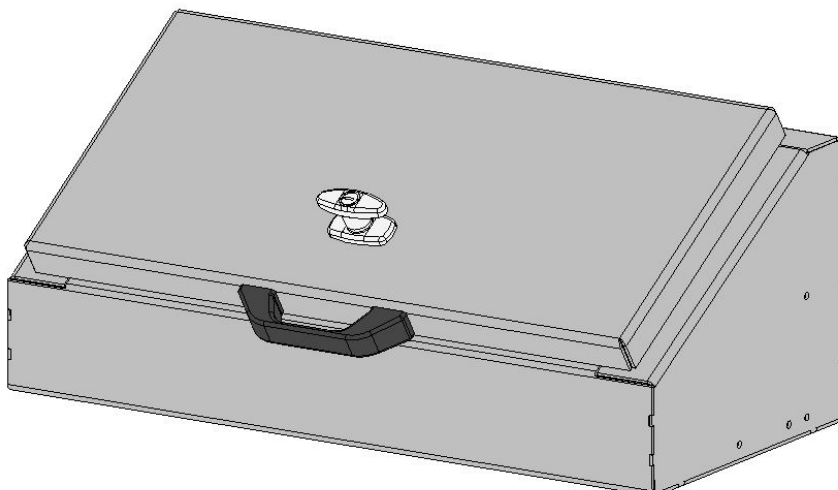
1 drawer 1-3/4" deep
1 drawer 3-7/8" deep



1 drawer 6" deep

CAUTION

The front mount tool box is 27" tall. On an 87" bed there may be a clearance issue if you plan on pulling a gooseneck trailer. Depending on the style of gooseneck.



Top Taper Tool boxes

Available lengths

- 26"
- 34"
- 39"
- 46"
- 52"
- 68"
- 78"

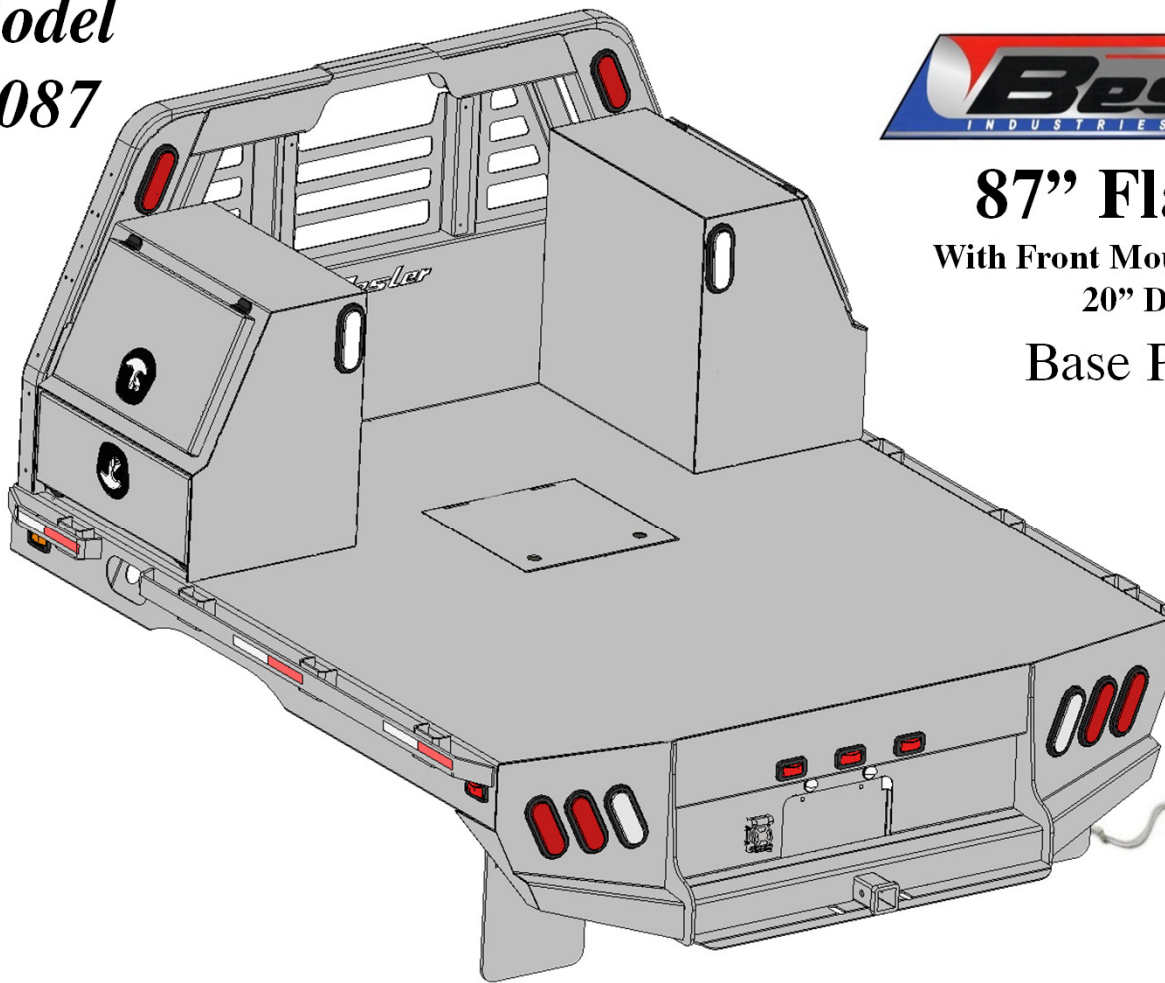
**Model
6087**



87" Flatbed

With Front Mount Toolboxes
20" Deep

Base Price



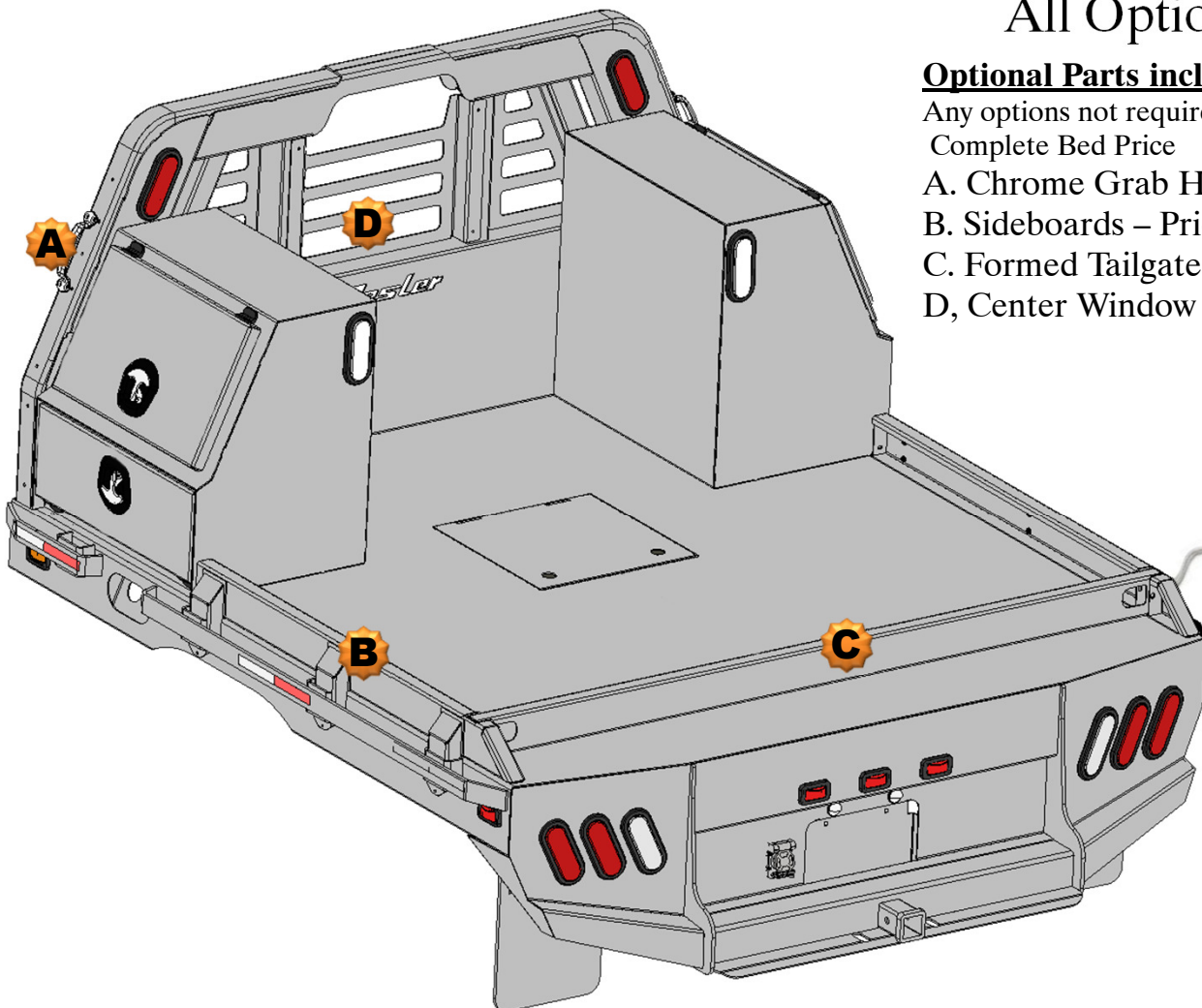
\$8,360

All Options Bed

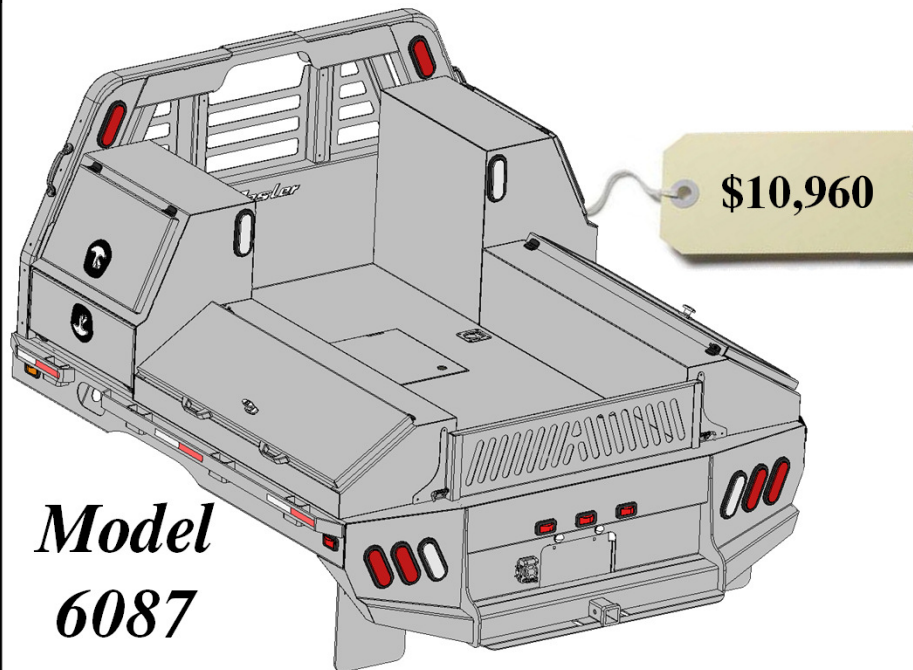
Optional Parts included in price

Any options not required subtract from Complete Bed Price

- A. Chrome Grab Handles – \$46.00 pair
- B. Sideboards – Price: \$650.00 – Pair
- C. Formed Tailgate - \$150.00
- D. Center Window Guard - \$100.00



\$9,306



**Model
6087**

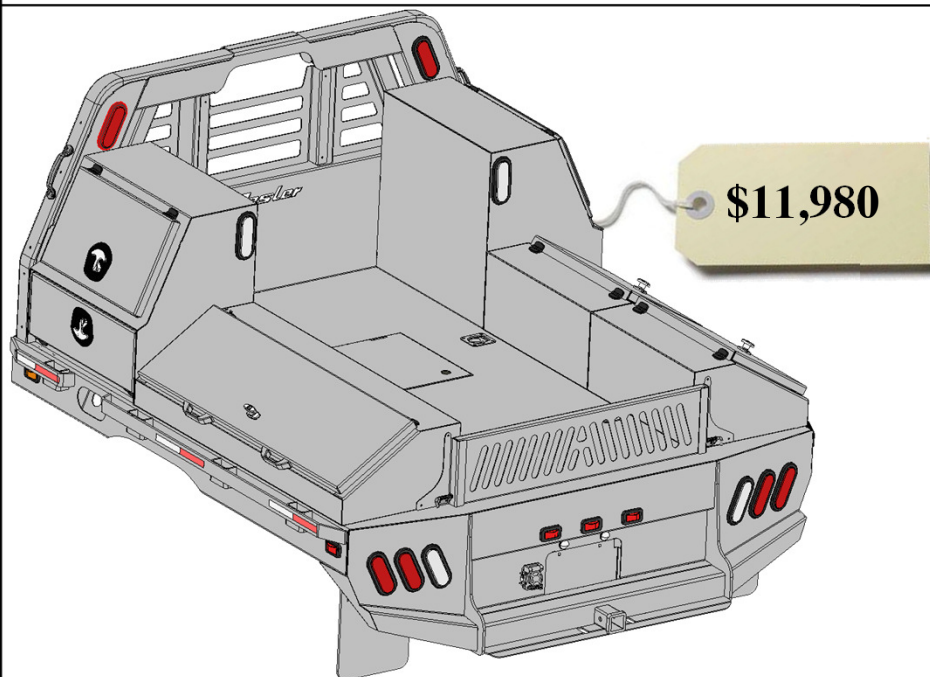
**All Options Bed
87 Flatbed w/Toolboxes
20" Deep**

- 2 – 27" Front Mount Toolboxes**
- 2 – 52" Taper Toolboxes**

Optional Parts included in price

Any options not required subtract from Complete Bed Price.

- A. Formed Tailgate - \$150.00
- B. Tailgate Brackets - \$30.00 pair
- C. Center Window Guard - \$100.00



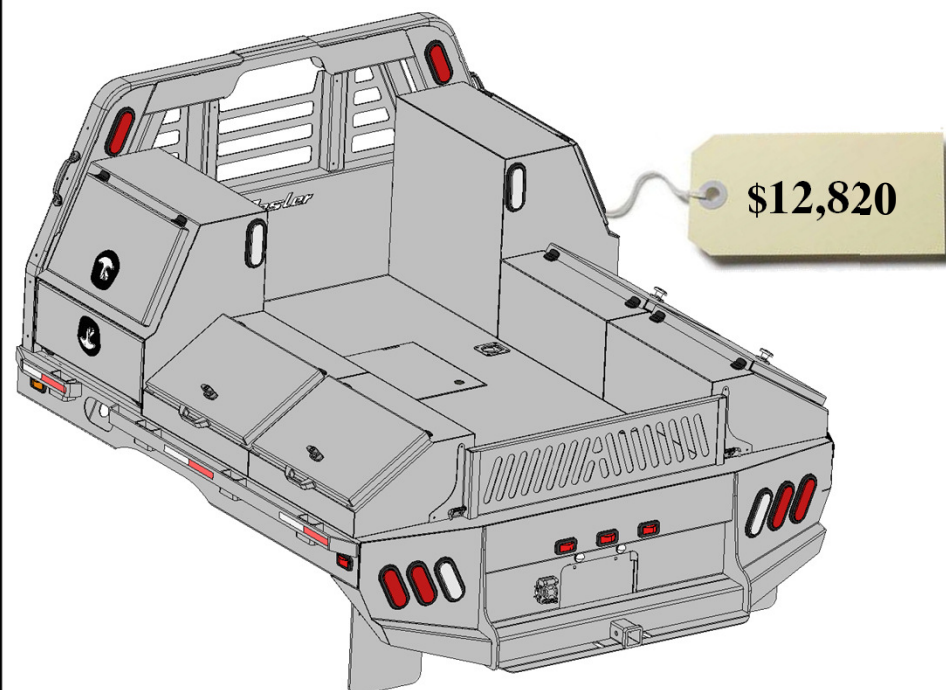
**All Options Bed
87 Flatbed w/Toolboxes
20" Deep**

- 2 – 27" Front Mount Toolboxes**
- 1 – 52" Taper Toolbox**
- 2 – 26" Taper Toolbox**

Optional Parts included in price

Any options not required subtract from Complete Bed Price.

- A. Formed Tailgate - \$150.00
- B. Tailgate Brackets - \$30.00 pair
- C. Center Window Guard - \$100.00



**All Options Bed
87 Flatbed w/Toolboxes
20" Deep**

- 2 – 27" Front Mount Toolboxes**
- 4 – 26" Taper Toolboxes**

Optional Parts included in price

Any options not required subtract from Complete Bed Price.

- A. Formed Tailgate - \$150.00
- B. Tailgate Brackets - \$30.00 pair
- C. Center Window Guard - \$100.00