

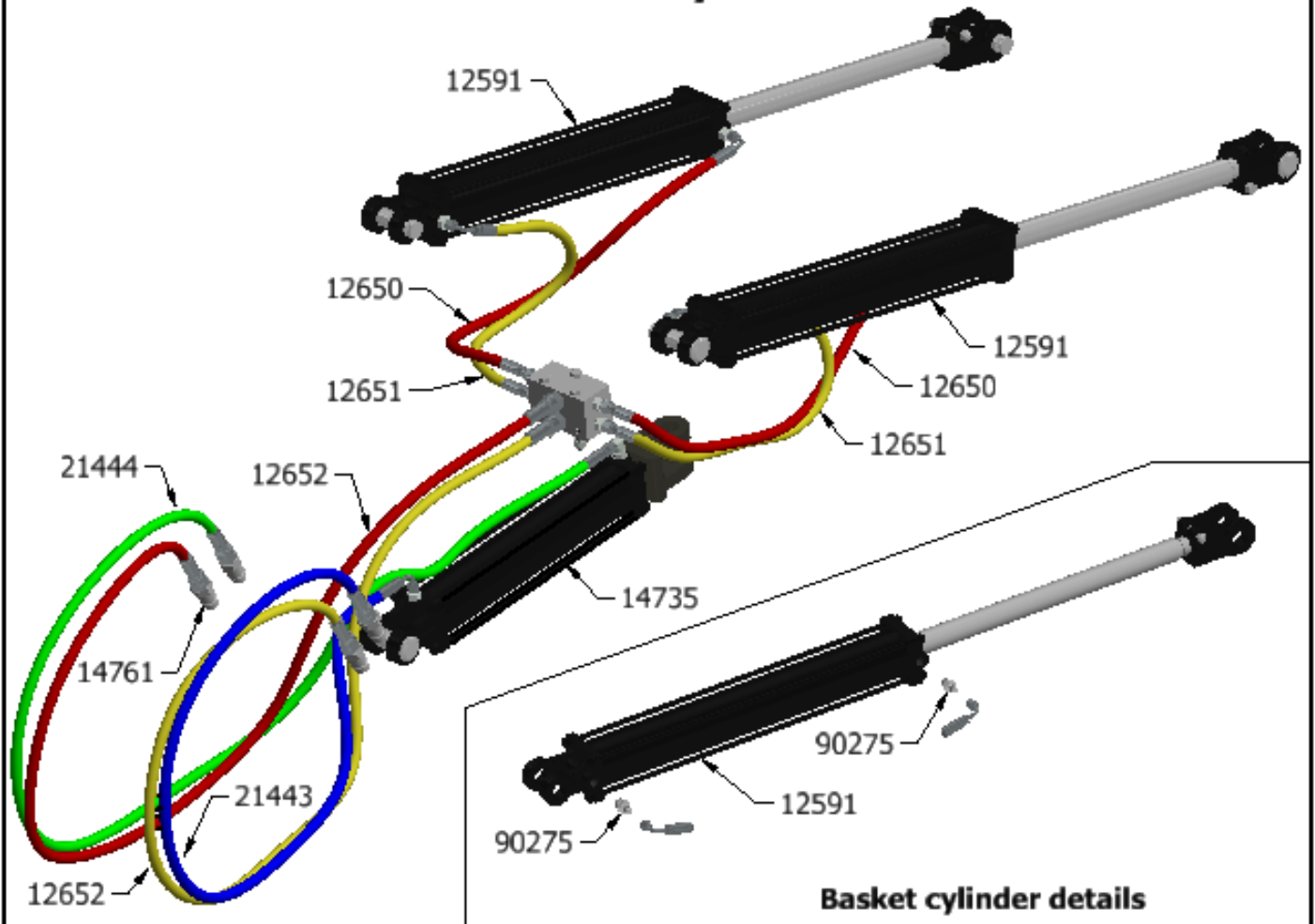


Quality Built Since 1973

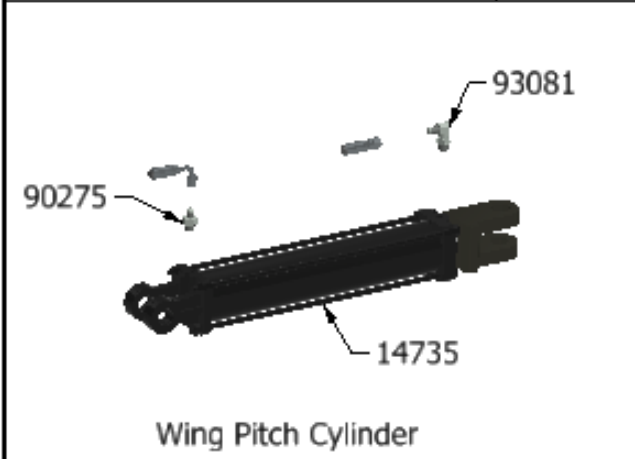
PIVOT TRACK CLOSER
And
ATTACHMENTS



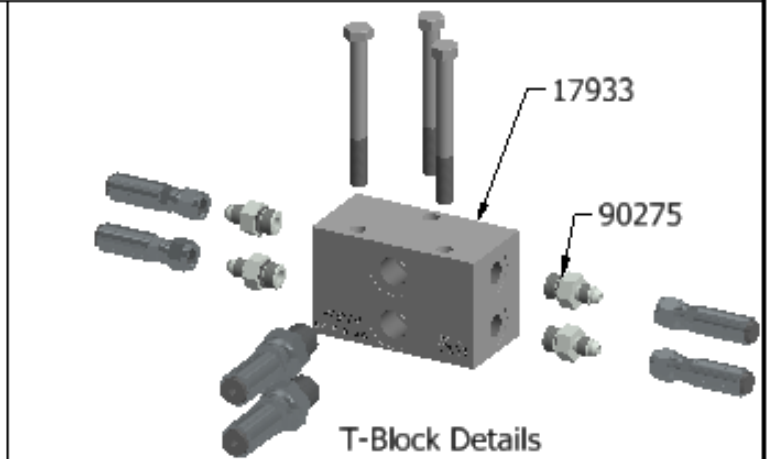
Standard Hydraulics



Basket cylinder details



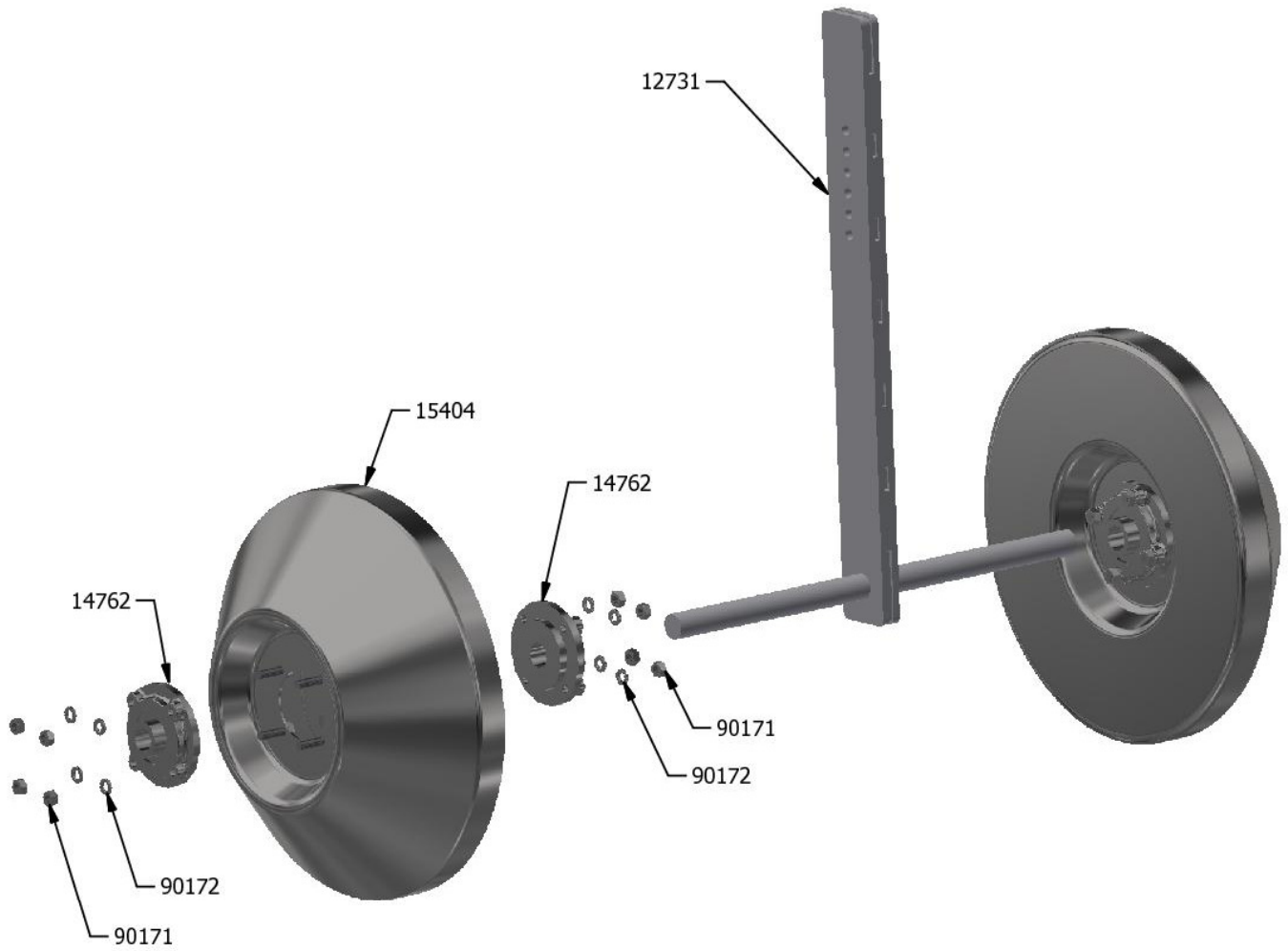
Wing Pitch Cylinder



T-Block Details

TABLE			TABLE		
PART #	DESCRIPTION	QTY	PART #	DESCRIPTION	QTY
14761	1/2" Oring Pioneer Poppet	4	12650	1/4" - 4 JIC to 4 JIC 90 x 35-1/8	2
21444	1/4" X 8MBOring-4 JIC female x 84	1	12651	1/4" - 4 JIC to 4 JIC 90 x 23-3/8	2
21443	1/4"x8MBOring-4JICfemale90 x 70	1	12591	2-1/2" x 18" Hydraulic Cylinder	2
12652	1/4"x8MBOring-8MBOring x 82	2	14735	2-1/2" x 12" Hydraulic Cylinder	1
17933	Hydraulic T- Block	1	93081	6 MBOring to 4 JIC Male 90 Adapter	1
90275	6 MBOring to 4 JIC Male Adapter	9			

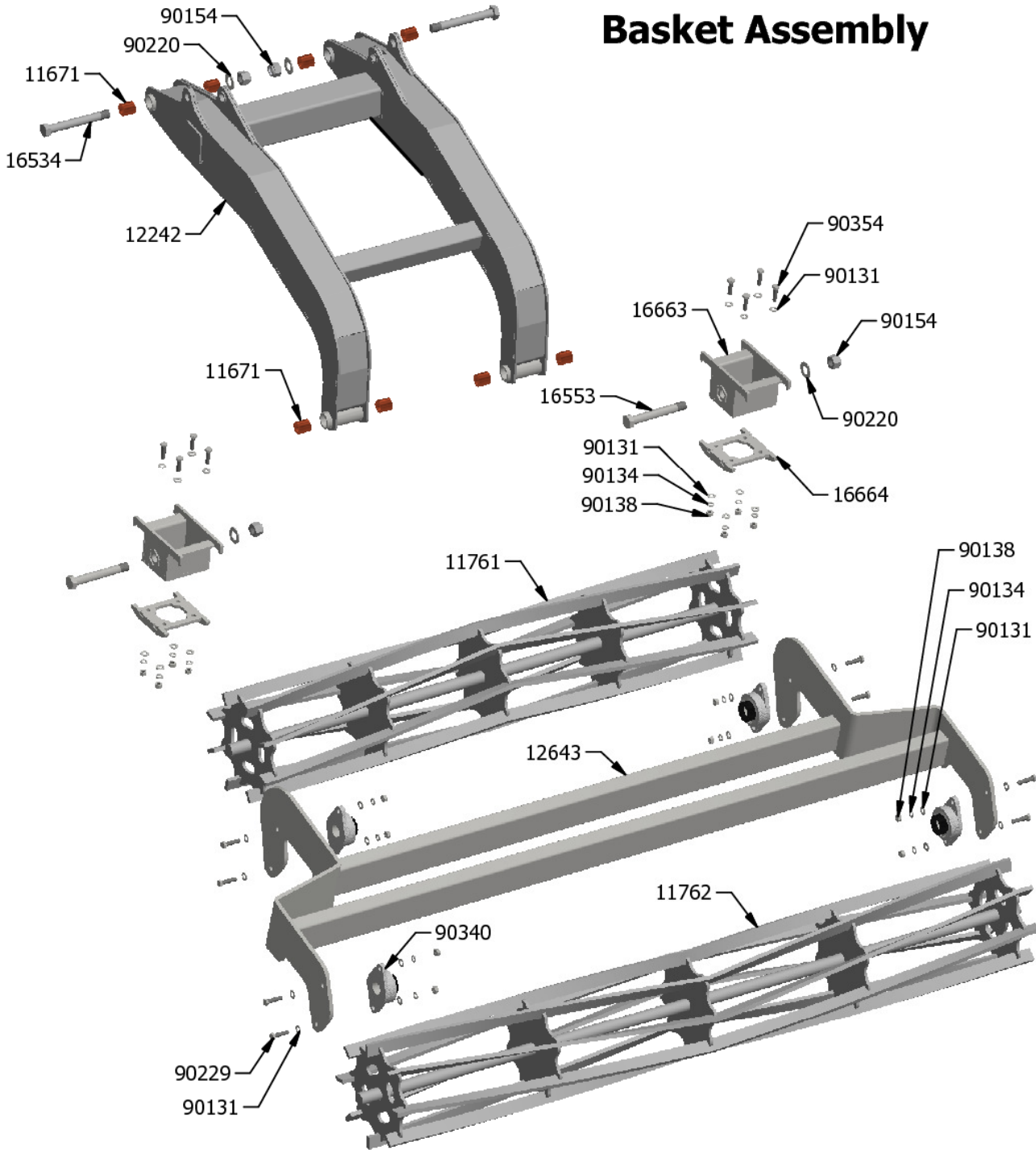
15824 Guide wheels



PARTS LIST

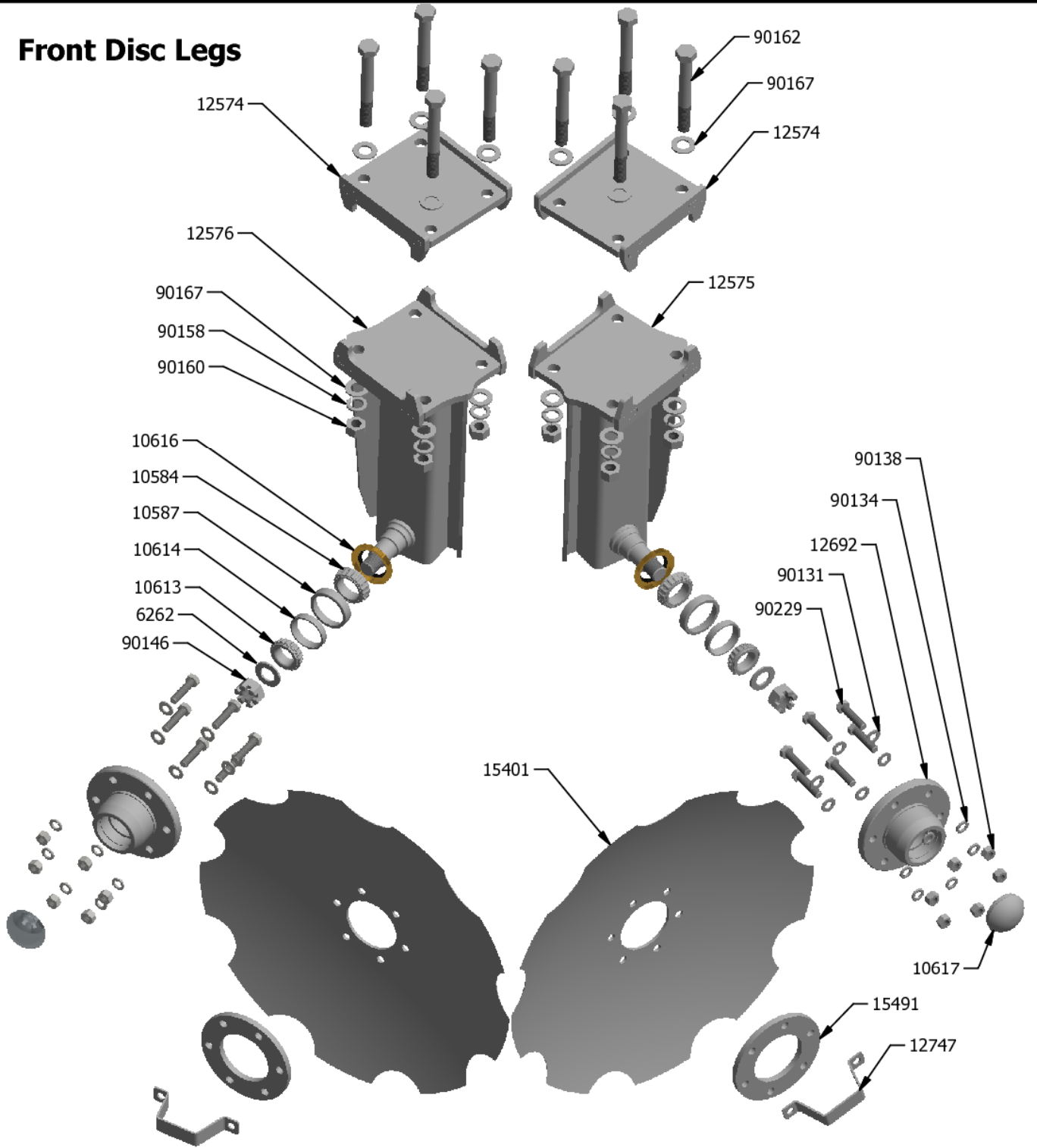
QTY	PART #	DESCRIPTION
2	15404	guide wheel weldment
4	14762	4 bolt PFC4-35-1.25S
16	90171	7/16" Nut
16	90172	7/16" Lock Washer
1	12731	Guide Wheel Arm

Basket Assembly



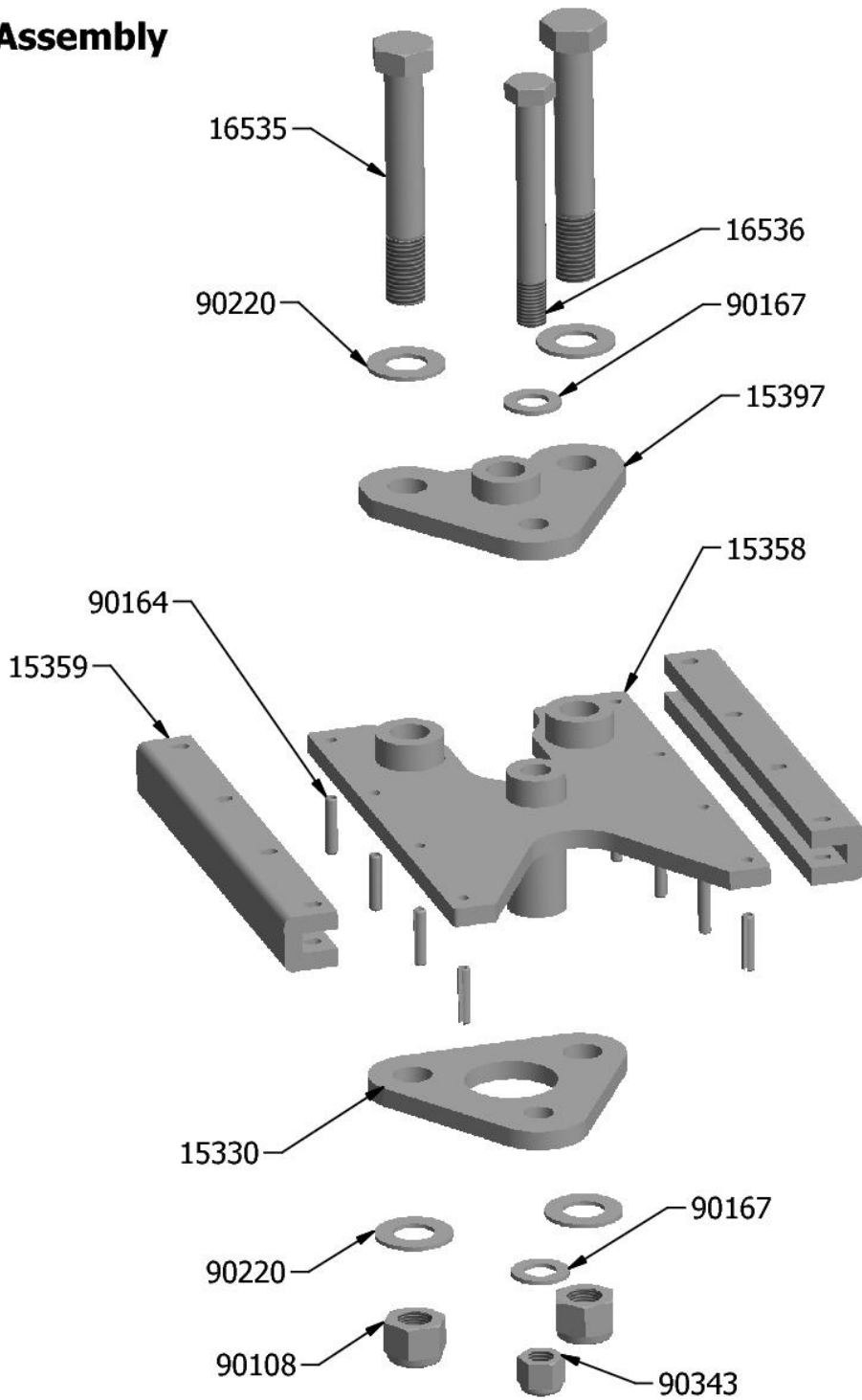
Parts			Parts		
Part #	Description	Qty	Part #	Description	Qty
12242	Basket Arm	1	16533	1" x 9" Cut to 7-3/8"	2
12643	Basket Frame	1	90220	1" washer	4
11761	6' Roller Basket	1	90154	1" Nylock Nut	4
11762	7'6" Roller Basket	1	90354	1/2" x 1-3/4"	8
16663	Clamp Top	2	90229	1/2" x 2"	8
16664	Clamp Bottom	2	90131	1/2" Flat washer	32
11671	Bronze Bushing	8	90134	1/2" Lock Washer	16
90340	1-1/2" 2 bolt Bearing	4	90138	1/2" Nut	16
16534	1" x 9-1/2" Cut to 6-3/8"				

Front Disc Legs



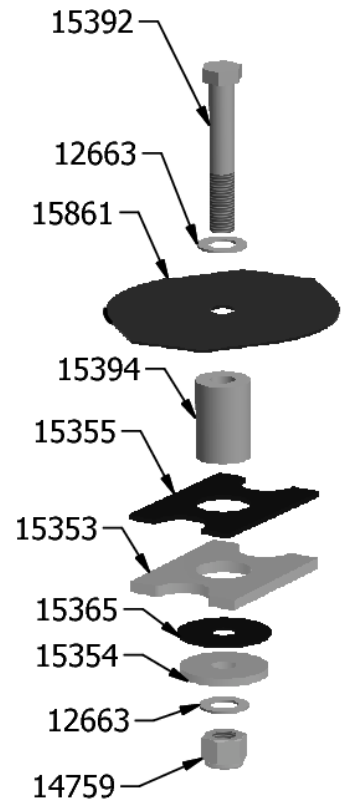
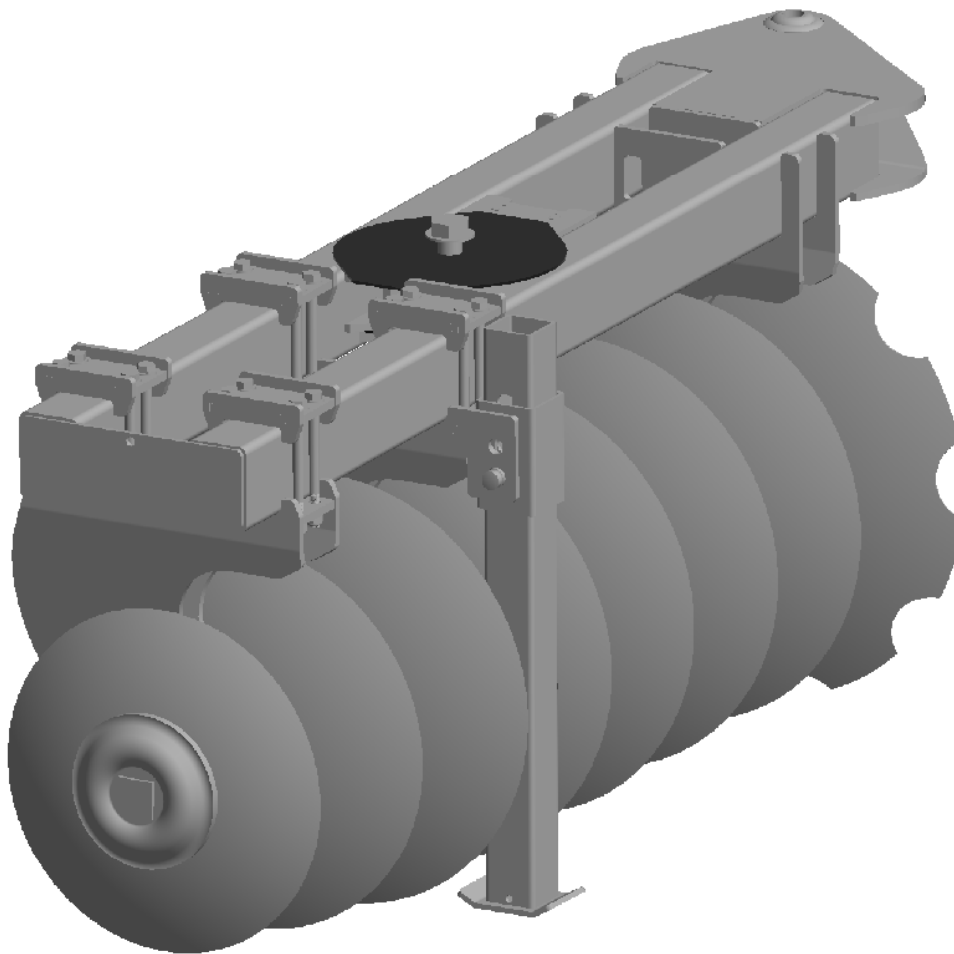
Parts			Parts			Parts		
Part #	Description	Qty	Part #	Description	Qty	Part #	Description	Qty
12574	Leg Clamp Top	2	90167	3/4" Flat Washer	16	90931	Thrust Washer	2
12576	RH Front Leg	1	90158	3/4" Lock Washer	8	90146	Castle Nut	2
12575	LH Front Leg	1	90160	3/4" Nut	8	90229	1/2" x 2" Bolt	12
12692	Hub	2	10616	Seal	2	90131	1/2" Flat Washer	12
15401	22" notched disc	2	10584	Outer Bearing	2	90134	1/2" Lock Washer	12
15491	Spacer Plate	2	10587	Outer Race	2	90138	1/2" Nut	12
12747	Dust Cap Guard	2	10614	Inner Race	2	10617	Dust Cap	2
90162	3/4" X 6" Bolt	8	10613	Inner Bearing	2			

Slide Assembly



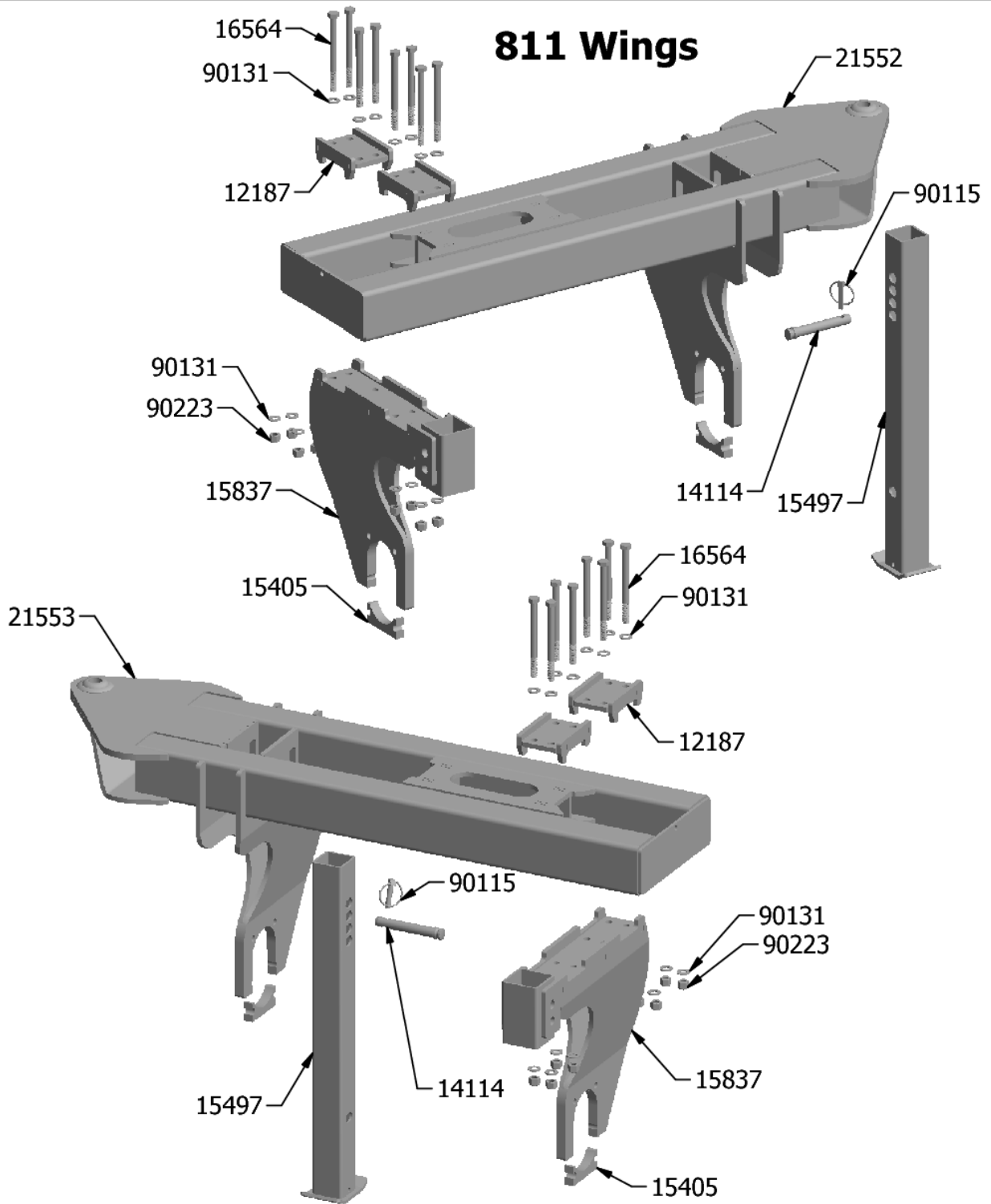
Parts			Parts		
Part #	Description	Qty	Part #	Description	Qty
15397	Cylinder Mount Plate	1	15536	3/4" x 7-1/2" Cut to 5-7/8"	1
15358	Slide Plate	1	90167	3/4" Flat Washer	2
15359	Black UHMW Plastic Slides	2	90164	5/16" x 1-1/2" Roll Pin	8
15330	Bottom Slide plate	1	90108	1" Nylock Nut	2
16535	1" x 7-1/2" Cut to 6-1/8"	2	90343	3/4" Nylock Nut	1
90220	1" Flat Washer	4			

Wing Pivot Parts



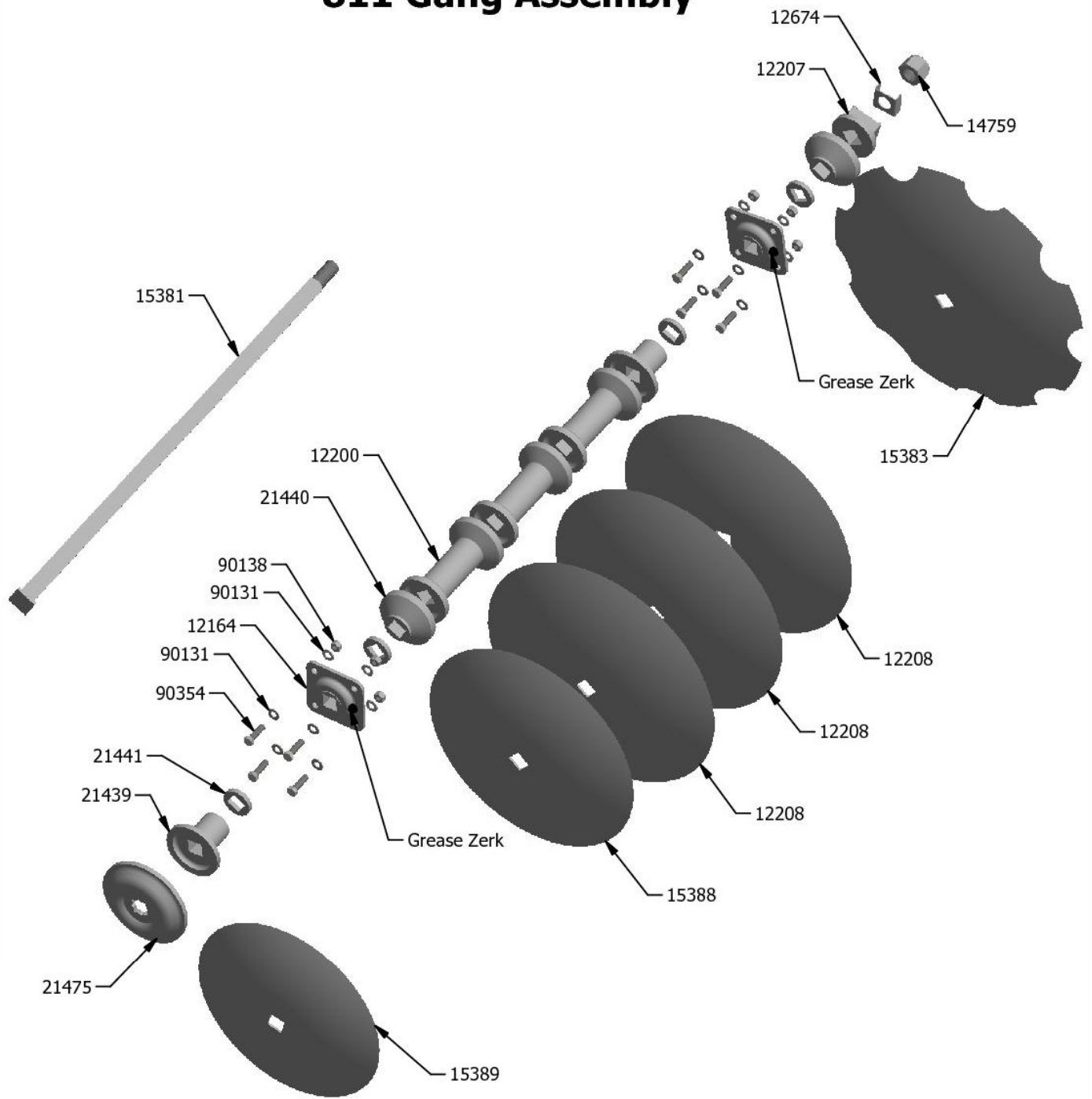
Parts			Parts		
Part #	Description	Qty	Part #	Description	Qty
15392	1-1/8" x 7" Bolt	1	15353	Support Plate	1
12663	1-1/8" Flat washer	2	15365	Plastic Wear Plate	1
15861	Plastic Wear Plate	1	15354	Support Plate	1
15394	Roller Guide	1	14759	1-1/8" Nylock Nut	1
15355	Plastic Slide Plate	1			

811 Wings



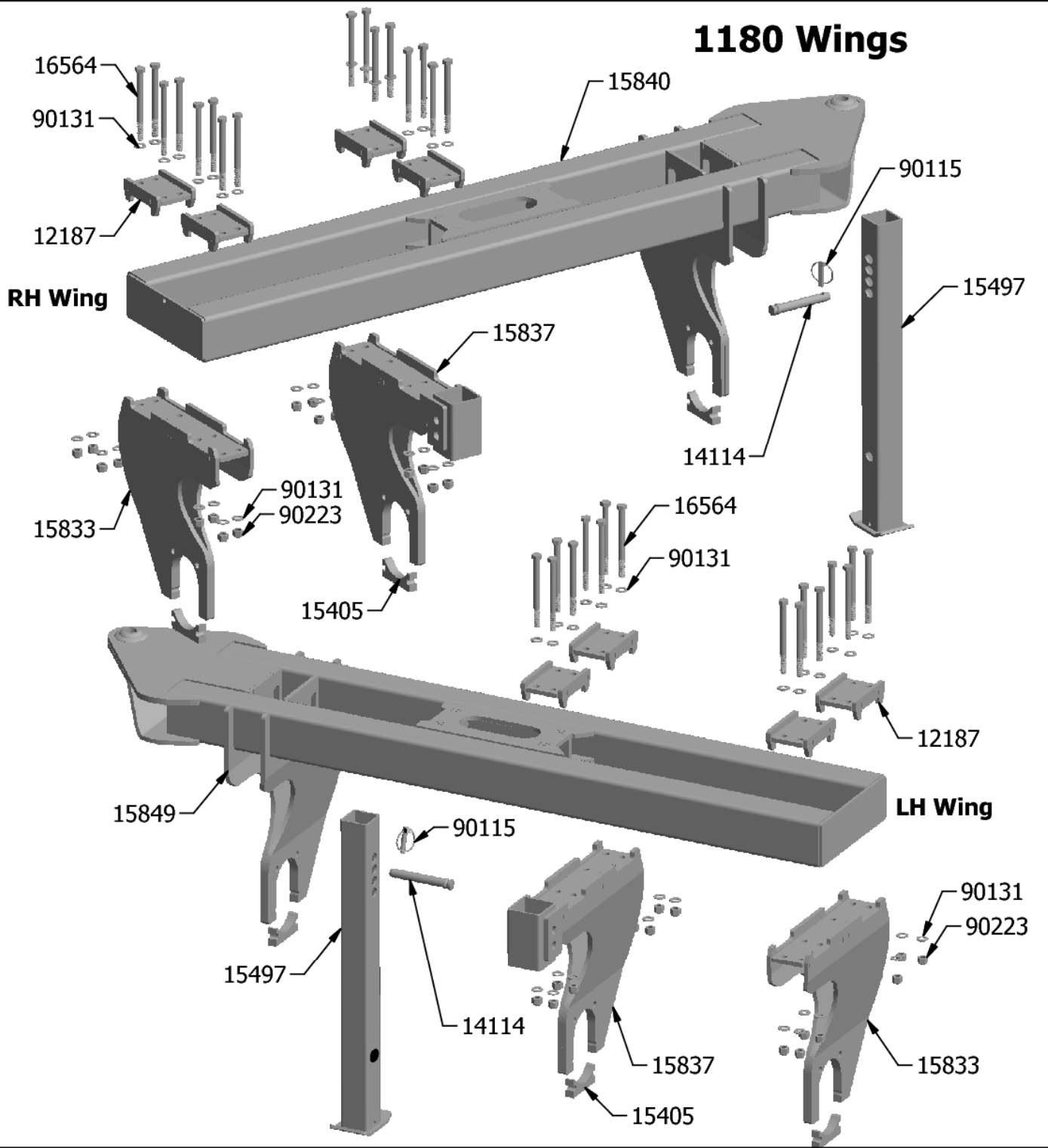
Parts			Parts		
Part #	Description	Qty	Part #	Description	Qty
21552	RH Wing	1	14114	Cat 1 Pin	2
21553	LH Wing	1	90115	7/16" x 1-1/2" Lynch Pin	2
15837	Leg Bottom with Stand	2	16564	1/2" x 6" Bolt	16
12187	Leg Top Clamp	4	90131	1/2" Flat Washer	32
15497	Stand Leg	2	90223	1/2" Nylock Nut	16
15405	Bearing Keeper	4			

811 Gang Assembly



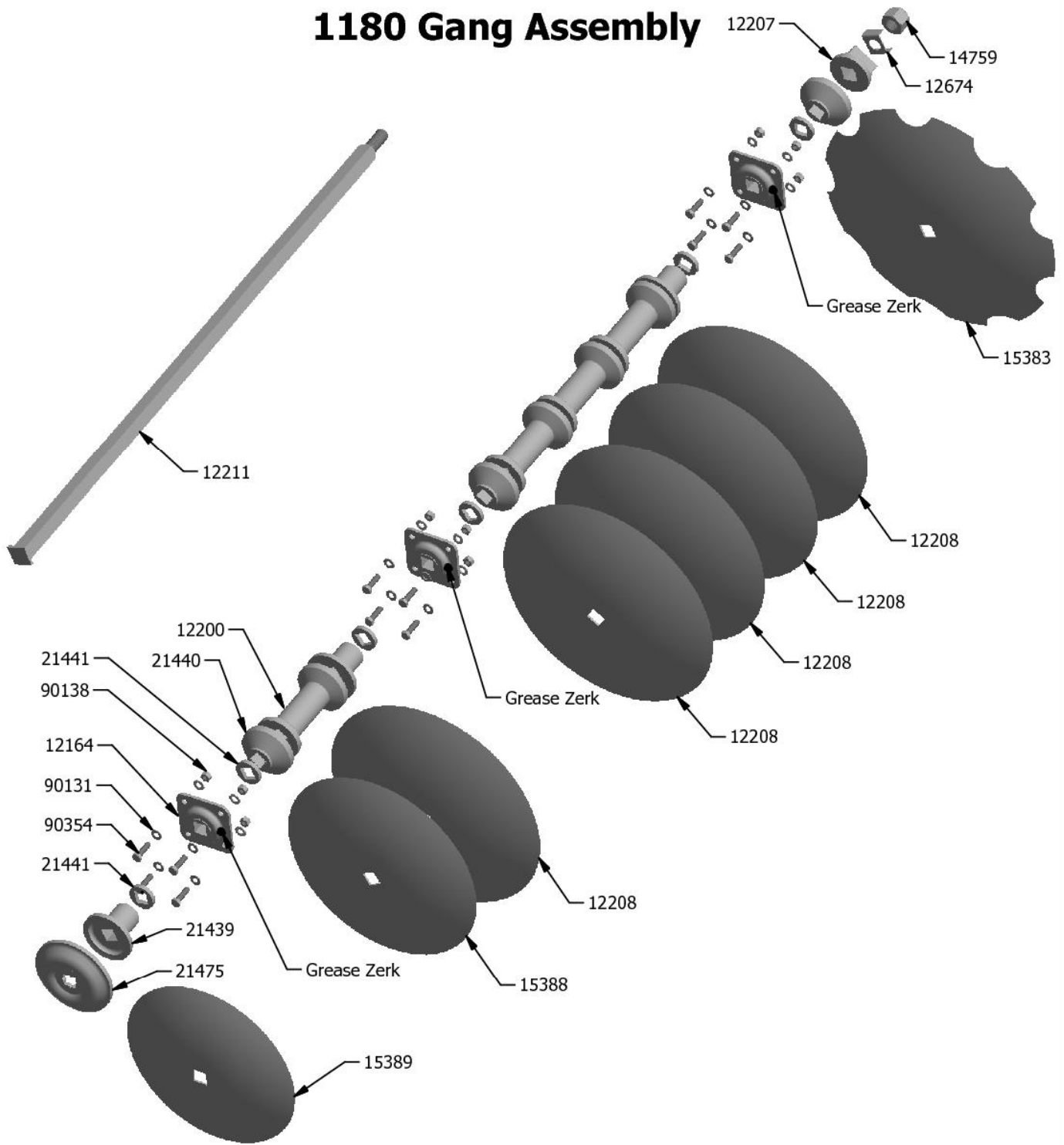
Parts			Parts		
Part #	Description	Qty	Part #	Description	Qty
15383	22" Notched Disc Blade	1	12200	7-1/2" Spool	3
12208	20" Disc Blade	3	15381	1-1/8" Square Axle 41.75"	1
15388	18" Disc Blade	1	90354	1/2" x 1-3/4" Bolt	8
15389	16" Disc Blade	1	90131	1/2" Flat Washer	16
21475	Spring Washer	1	90138	1/2" Nut	8
21439	4" Half Spool	2	12207	Locking Coller	1
21441	Spacer	4	12674	Locking Plate	1
12164	1-1/8" Square Bearing	2	14759	1-1/8" Nylock Nut	1
21440	1-5/8" Half Spool	2			

1180 Wings



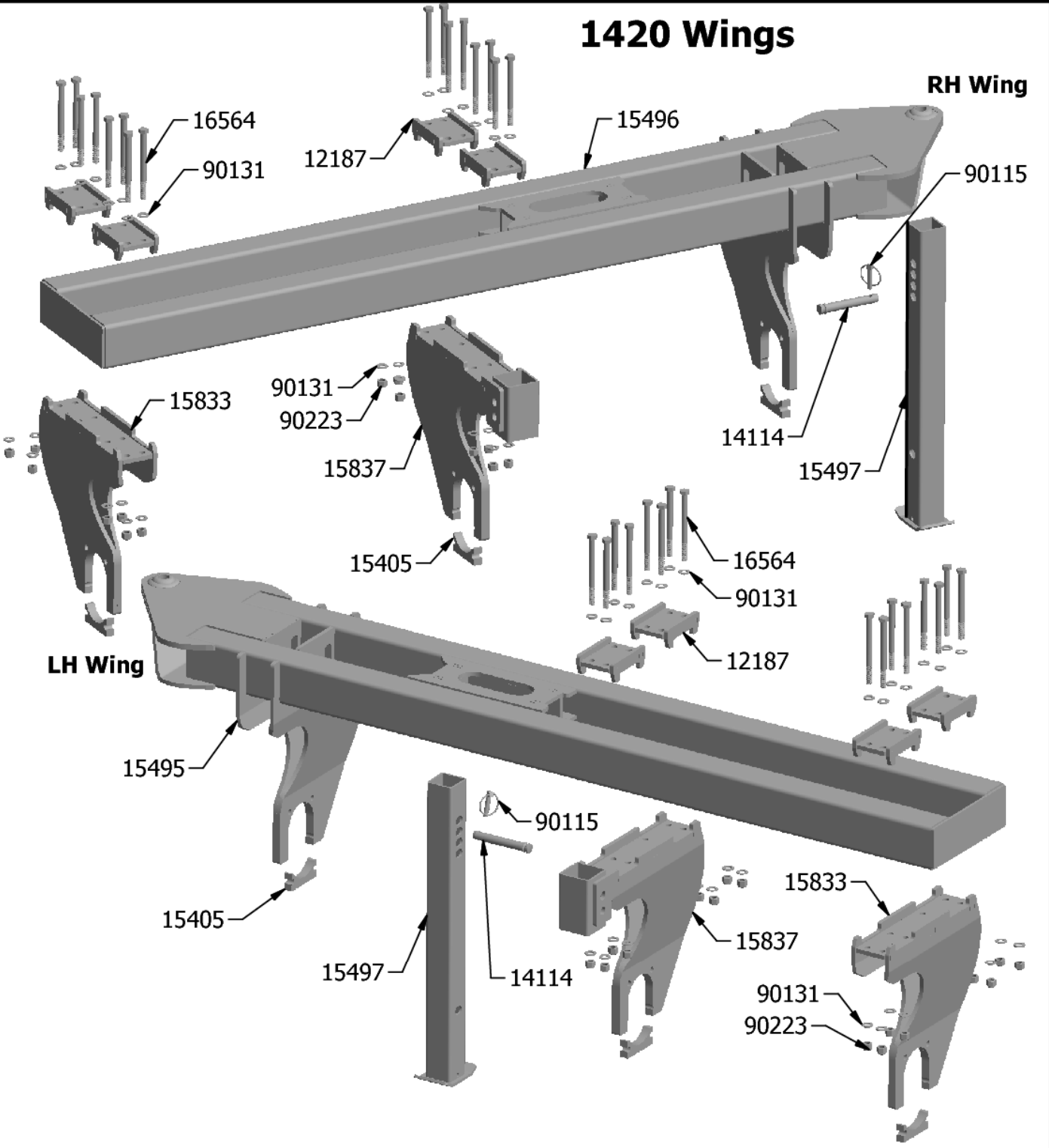
Parts			Parts		
Part #	Description	Qty	Part #	Description	Qty
15840	RH Wing - 1180	1	16564	1/2" x 6" Bolt	32
15849	LH Wing - 1180	1	90131	1/2" Washer	64
15837	Leg Bottom with stand	2	90223	1/2" Nylock Nut	32
15833	Leg Bottom	2	14114	Cat 1 Pin	2
12187	Leg Top Clamp	8	90115	7/16" x 1-1/2" Lynch Pin	2
15497	Stand Leg	2	15405	Bearing Keeper	6

1180 Gang Assembly



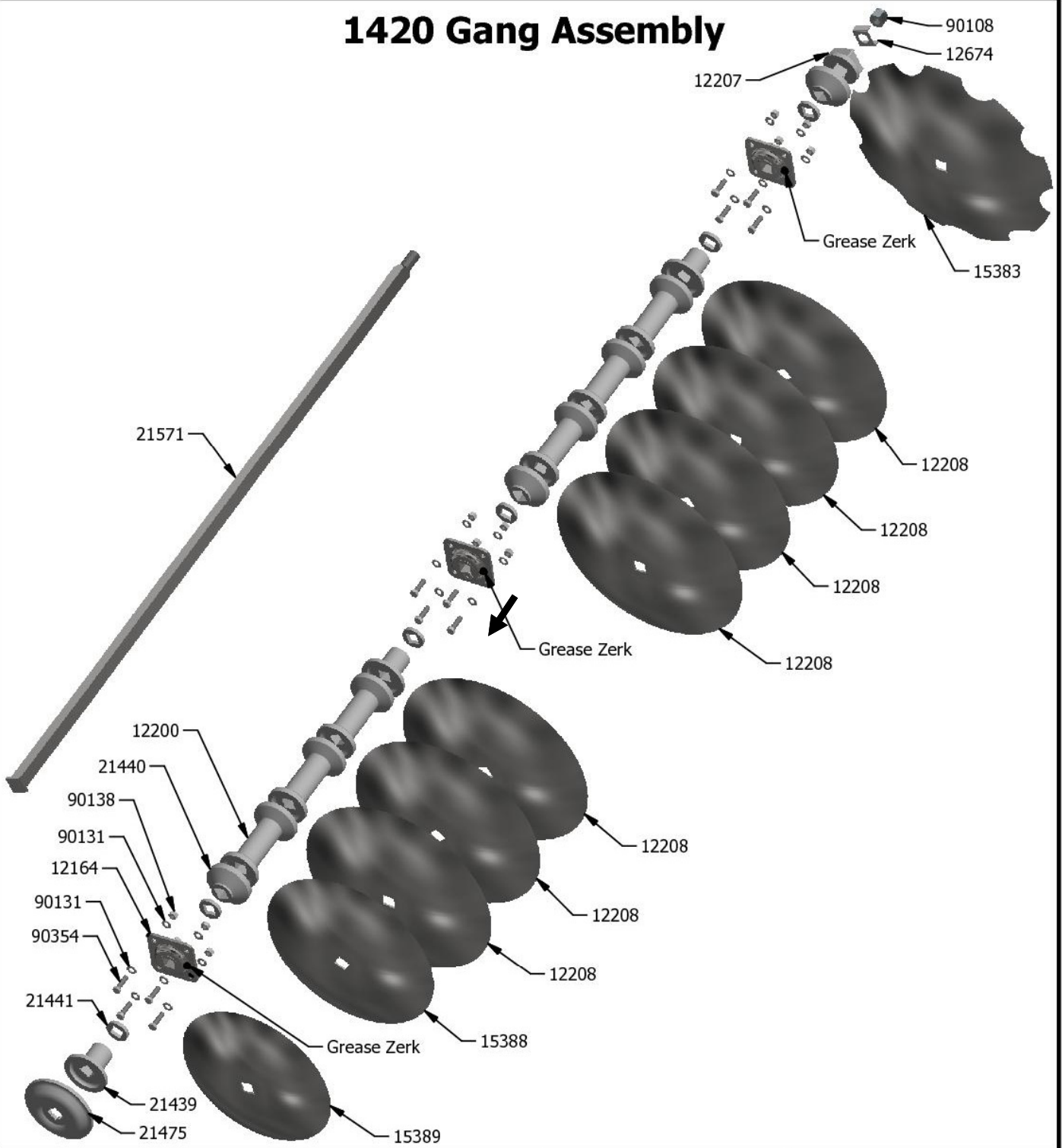
Parts			Parts		
Part #	Description	Qty	Part #	Description	Qty
15383	22" Notched Disc Blade	1	12200	7-1/2" Spool	4
12208	20" Disc Blade	5	12211	1-1/8" Square Axle 57.6"	1
15388	18" Disc Blade	1	90354	1/2" x 1-3/4" Bolt	12
15389	16" Disc Blade	1	90131	1/2" Flat Washer	24
21475	Spring Washer	1	90138	1/2" Nut	12
21439	4" Half Spool	3	12207	Locking Coller	1
21441	Spacer	6	12674	Locking Plate	1
12164	1-1/8" Square Bearing	3	14759	1-1/8" Nylock Nut	1
21440	1-5/8" Half Spool	3			

1420 Wings

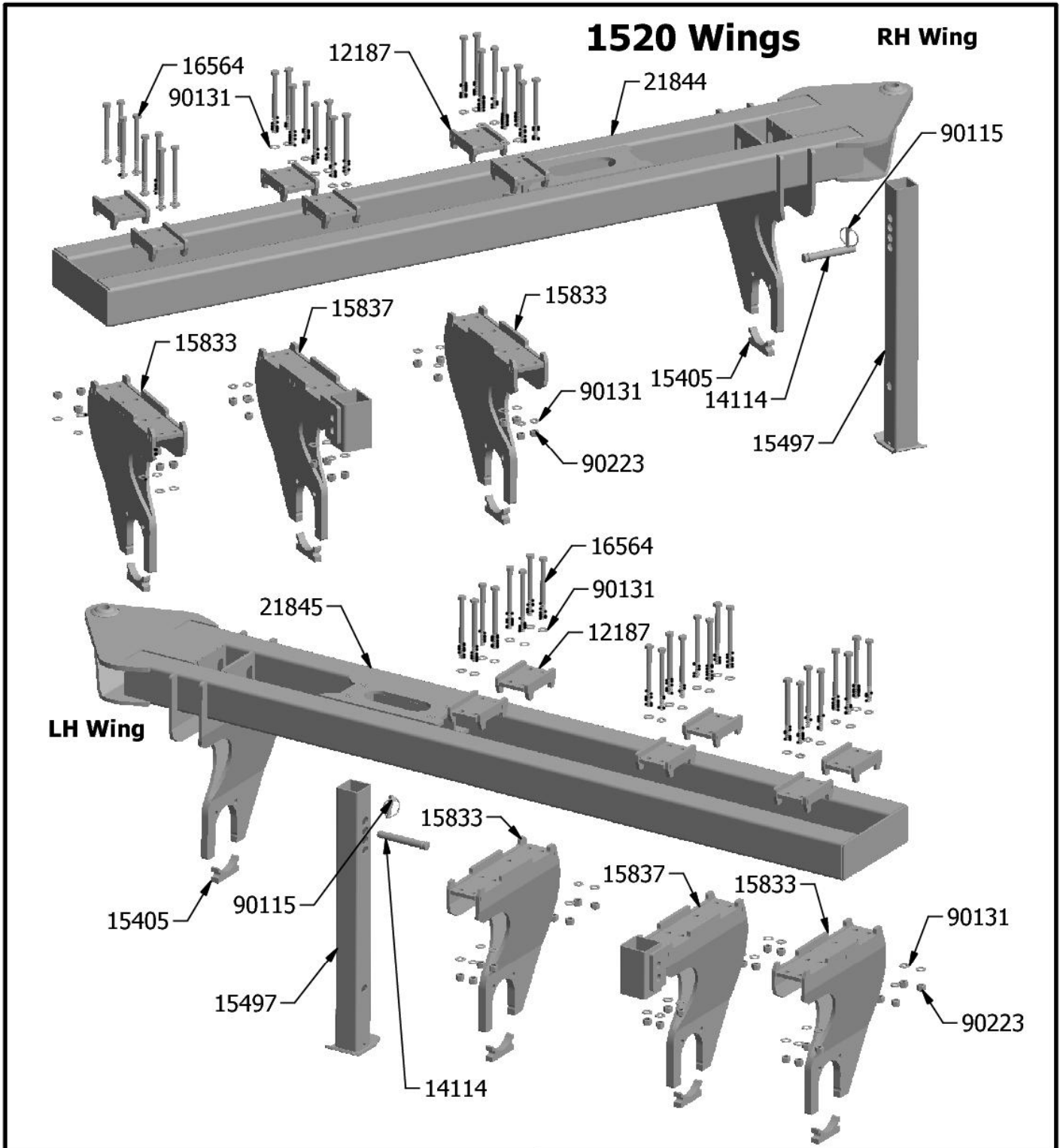


Parts			Parts		
Part #	Description	Qty	Part #	Description	Qty
15496	RH Wing - 1420	1	16564	1/2" x 6" Bolt	32
15495	LH Wing - 1420	1	90131	1/2" Washer	64
15837	Leg Bottom with stand	2	90223	1/2" Nylock Nut	32
15833	Leg Bottom	2	14114	Cat 1 Pin	2
12187	Leg Top Clamp	8	90115	7/16" x 1-1/2" Lynch Pin	2
15497	Stand Leg	2	15405	Bearing Keeper	6

1420 Gang Assembly

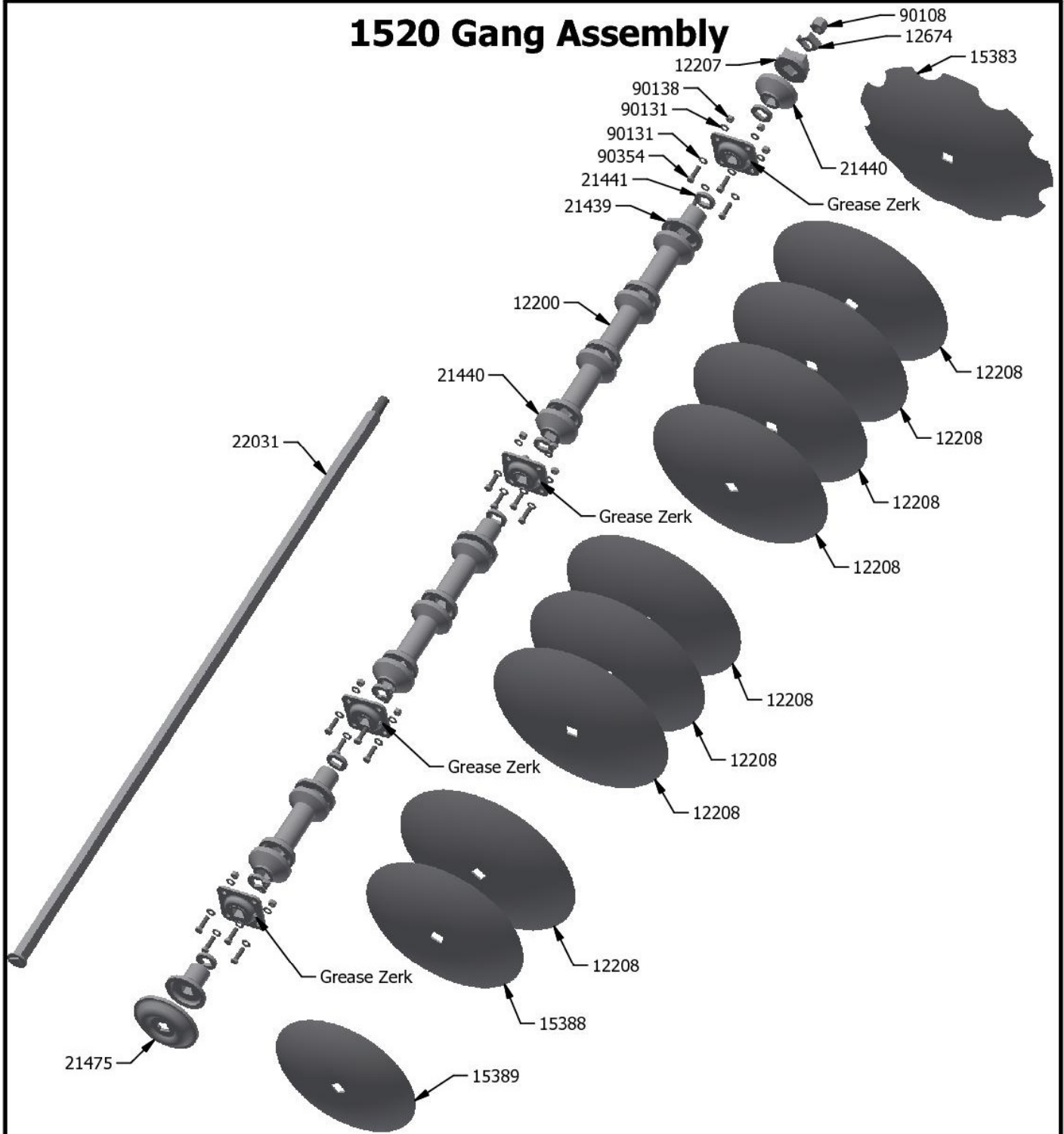


Parts			Parts		
Part #	Description	Qty	Part #	Description	Qty
15383	22" Notched Disc Blade	1	12200	7-1/2" Spool	6
12208	20" Disc Blade	7	12211	1-1/8" Square Axle 76.5"	1
15388	18" Disc Blade	1	90354	1/2" x 1-3/4" Bolt	12
15389	16" Disc Blade	1	90131	1/2" Flat Washer	24
21475	Spring Washer	1	90138	1/2" Nut	12
21439	4" Half Spool	3	12207	Locking Collar	1
21441	Spacer	6	12674	Locking Plate	1
12164	1-1/8" Square Bearing	3	14759	1-1/8" Nylock Nut	1
21440	1-5/8" Half Spool	3			

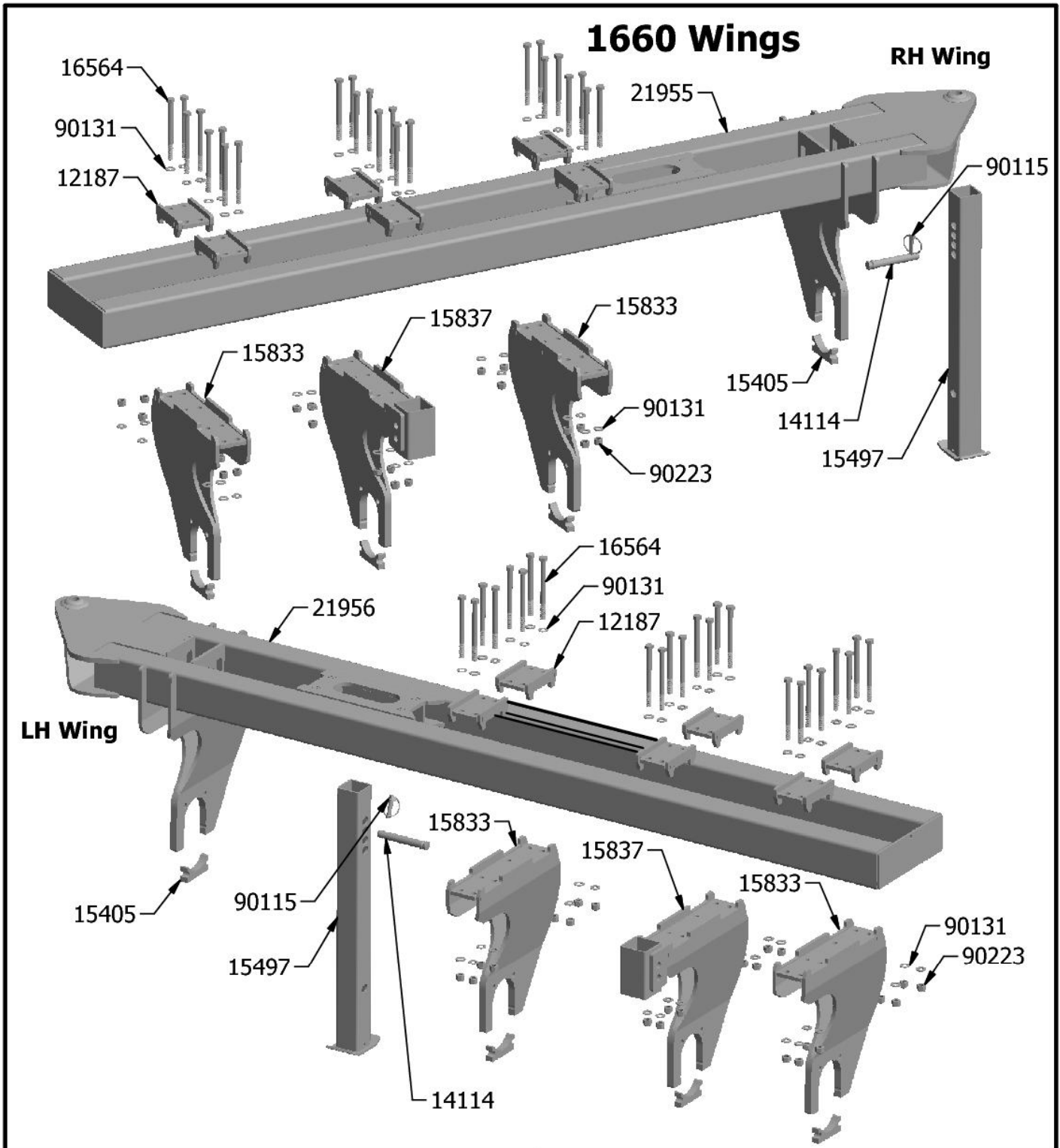


Parts			Parts		
Part #	Description	Qty	Part #	Description	Qty
15496	RH Wing - 1520	1	16564	1/2" x 6" Bolt	48
15495	LH Wing - 1520	1	90131	1/2" Washer	96
15837	Leg Bottom with stand	2	90223	1/2" Nylock Nut	48
15833	Leg Bottom	4	14114	Cat 1 Pin	2
12187	Leg Top Clamp	12	90115	7/16" x 1-1/2" Lynch Pin	2
15497	Stand Leg	2	15405	Bearing Keeper	8

1520 Gang Assembly

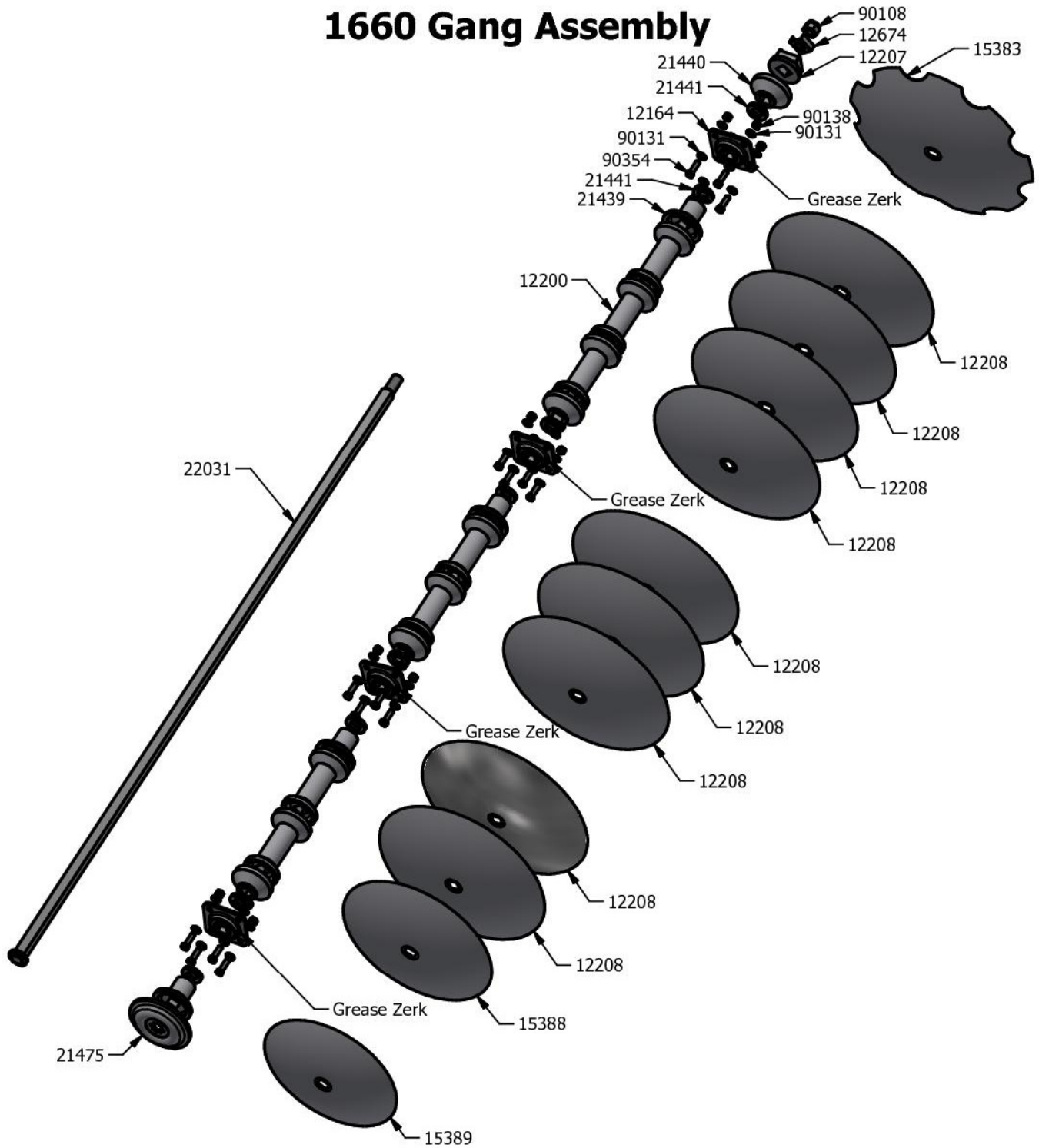


Parts			Parts		
Part #	Description	Qty	Part #	Description	Qty
15383	22" Notched Disc Blade	1	12200	7-1/2" Spool	6
12208	20" Disc Blade	8	22031	1-1/8" Square Axle 80.75"	1
15388	18" Disc Blade	1	90354	1/2" x 1-3/4" Bolt	16
15389	16" Disc Blade	1	90131	1/2" Flat Washer	32
21475	Spring Washer	1	90138	1/2" Nut	16
21439	3-3/4" Half Spool	4	12207	Locking Coller	1
21441	Spacer	8	12674	Locking Plate	1
12164	1-1/8" Square Bearing	4	14759	1-1/8" Nylock Nut	1
21440	1-3/4" Half Spool	4			



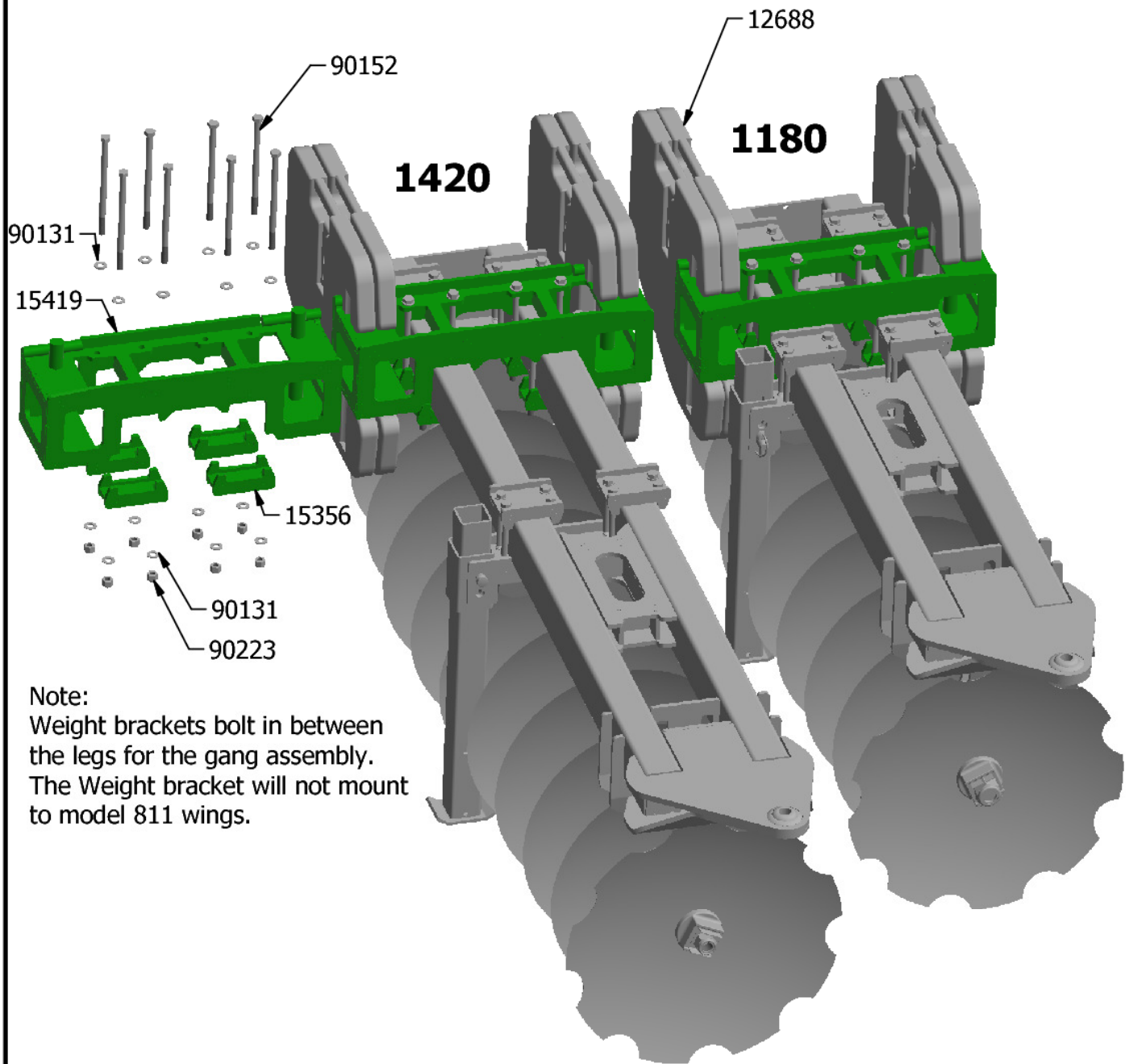
Parts			Parts		
Part #	Description	Qty	Part #	Description	Qty
21955	RH Wing - 1660	1	16564	1/2" x 6" Bolt	48
21956	LH Wing - 1660	1	90131	1/2" Washer	96
15837	Leg Bottom with stand	2	90223	1/2" Nylock Nut	48
15833	Leg Bottom	4	14114	Cat 1 Pin	2
12187	Leg Top Clamp	12	90115	7/16" x 1-1/2" Lynch Pin	2
15497	Stand Leg	2	15405	Bearing Keeper	8

1660 Gang Assembly



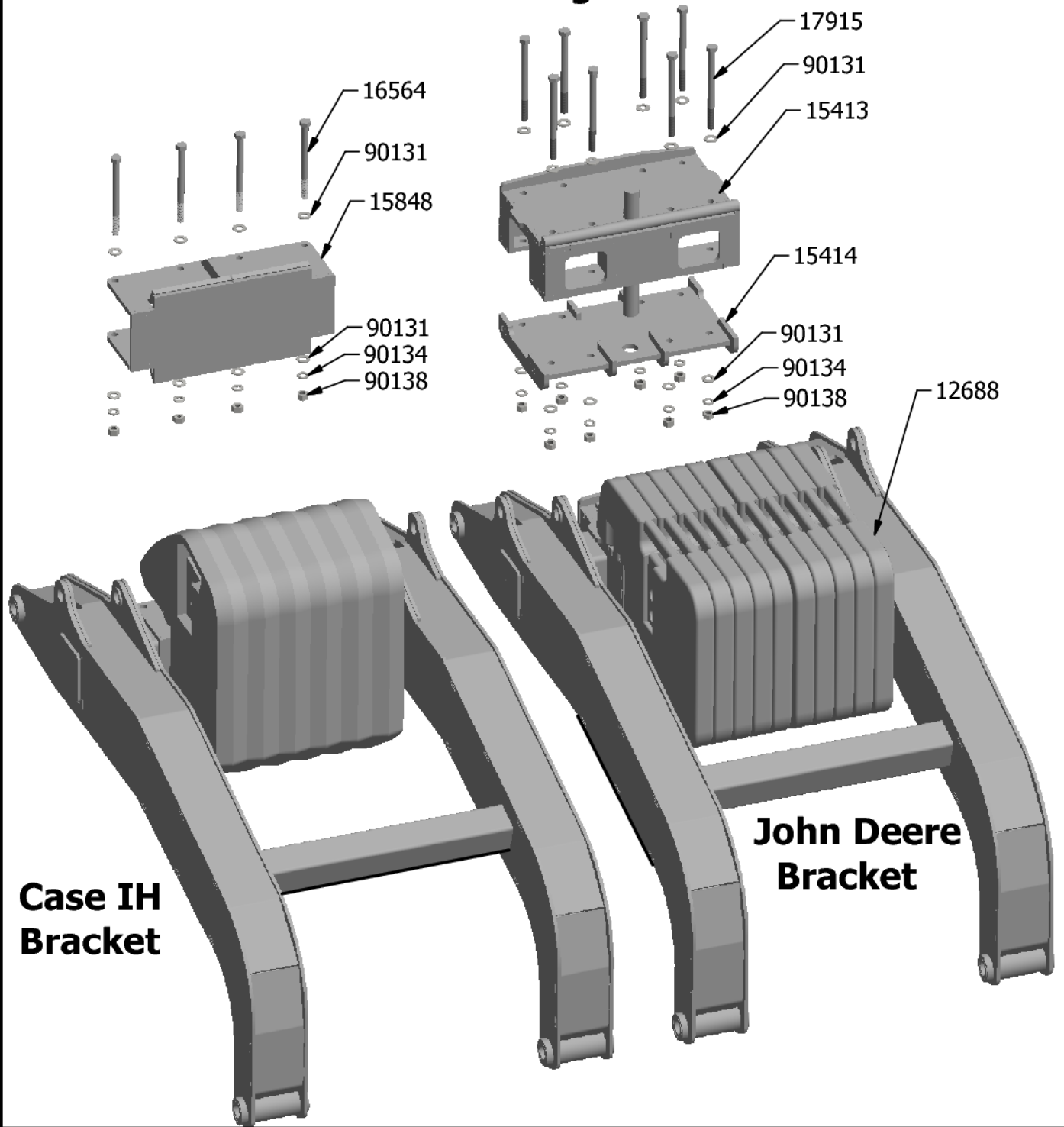
Parts			Parts		
Part #	Description	Qty	Part #	Description	Qty
15383	22" Notched Disc Blade	1	12200	7-1/2" Spool	7
12208	20" Disc Blade	9	22031	1-1/8" Square Axle 88.25"	1
15388	18" Disc Blade	1	90354	1/2" x 1-3/4" Bolt	16
15389	16" Disc Blade	1	90131	1/2" Flat Washer	32
21475	Spring Washer	1	90138	1/2" Nut	16
21439	3-3/4" Half Spool	4	12207	Locking Coller	1
21441	Spacer	8	12674	Locking Plate	1
12164	1-1/8" Square Bearing	4	14759	1-1/8" Nylock Nut	1
21440	1-3/4" Half Spool	4			

Model 1180 & 1420 Weight Bracket



Parts			Parts		
Part #	Description	Qty	Part #	Description	Qty
15419	Weight Bracket Top 1180 & 1420	1	90152	1/2" X 8-1/2" Bolt	8
15356	Weight Bracket Bottom Clamp	4	90131	1/2" Flat Washer	16
12688	100 lb Suitcase Weight	4	90223	1/2" Nylock Nut	8

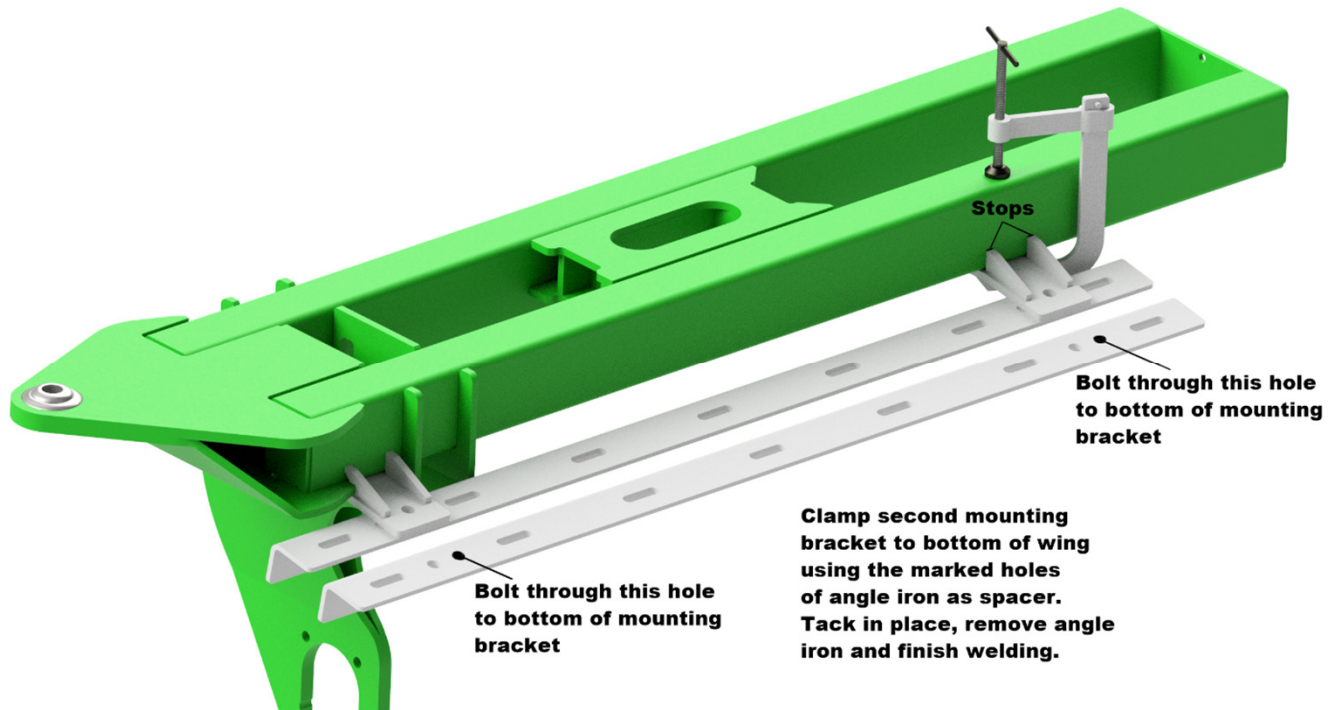
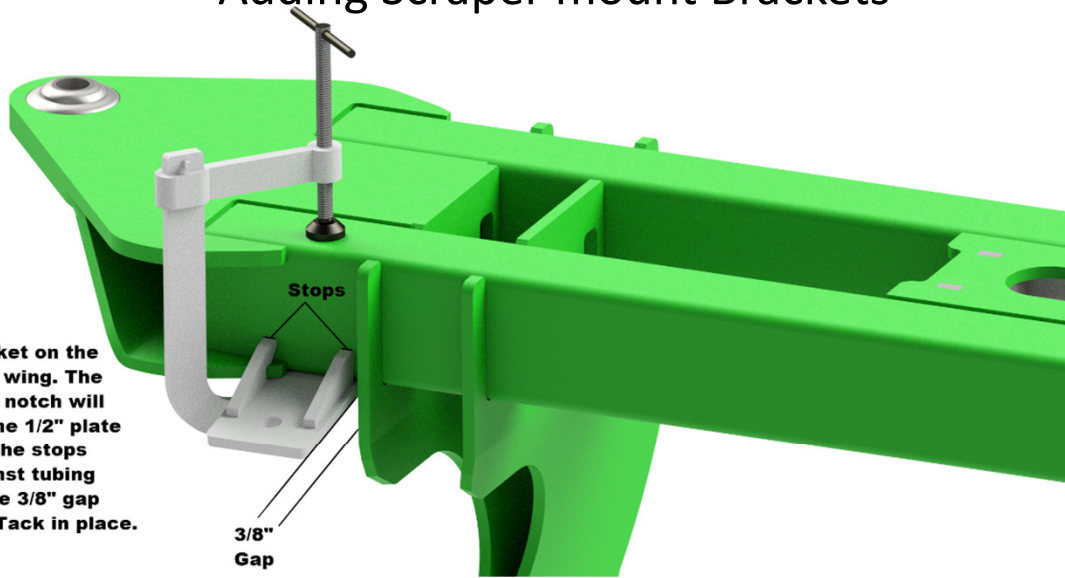
Basket Arm Weight Bracket



Parts			Parts		
Part #	Description	Qty	Part #	Description	Qty
15848	Case IH Weight Bracket	1	17915	1/2" x 6-1/2" Bolt	8
15413	JD Weight Bracket Top	1	90131	1/2" Flat Washer	8C-16JD
15414	JD Weight Bracket Bottom	1	90134	1/2" Lock Washer	4C-8JD
12688	Besler Suitcase Weights	1	90138	1/2" Nut	4C-8JD
16564	1/2" x 6" Bolt	4			

Adding Scraper mount Brackets

Clamp bracket on the backside of wing. The gusset with notch will slide over the 1/2" plate make sure the stops are up against tubing and measure 3/8" gap as shown - Tack in place.



Clamp second mounting bracket to bottom of wing using the marked holes of angle iron as spacer. Tack in place, remove angle iron and finish welding.

