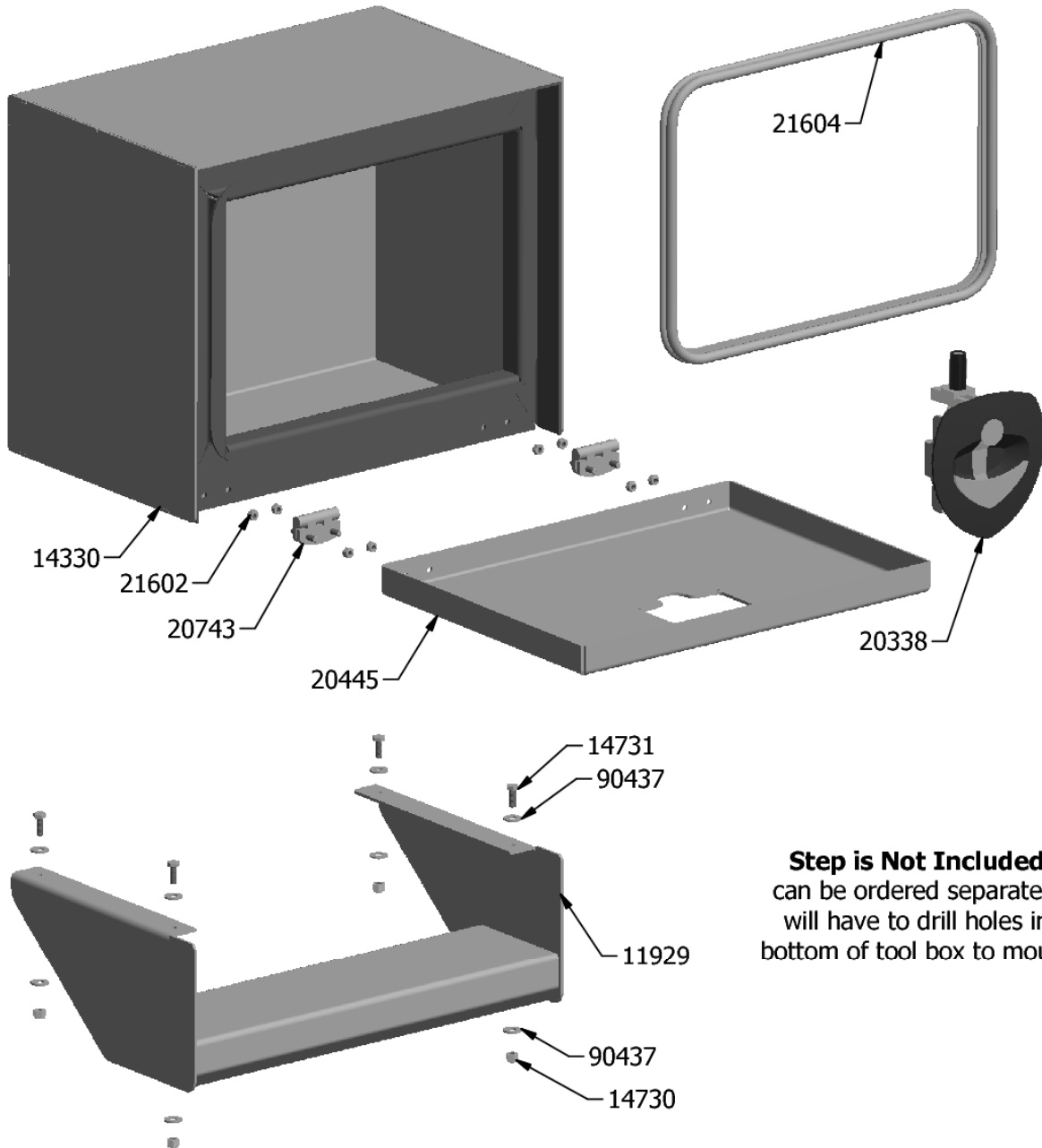




10892 - 18" Underbed Toolbox

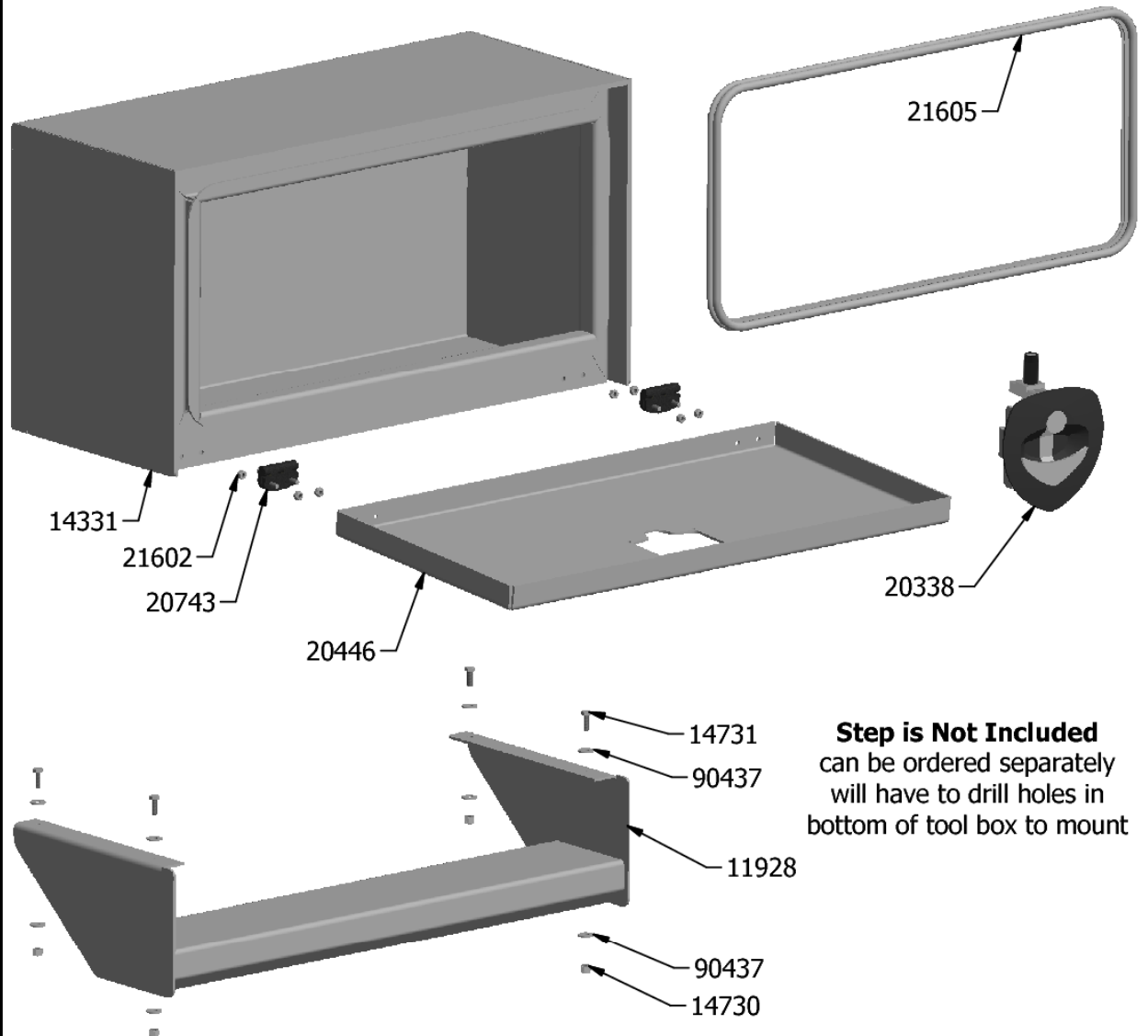


Step is Not Included
 can be ordered separately
 will have to drill holes in
 bottom of tool box to mount

PARTS LIST			PARTS LIST		
Part #	Description	Qty	Part #	Description	Qty
14330	18" Tool box	1	21602	M6 Nylock Nut	8
21604	Trim seal for 18" Tool box	1	11929	Step for 18" Tool box	1
20445	Door 18" Tool box	1	14731	1/4" x 3/4" Bolt	4
20338	Vector T - Handle	1	90437	1/4" Flat washer	8
20743	Butt Hinge with studs	2	14730	1/4" Nylock Nut	4



10893 27" Underbed Toolbox

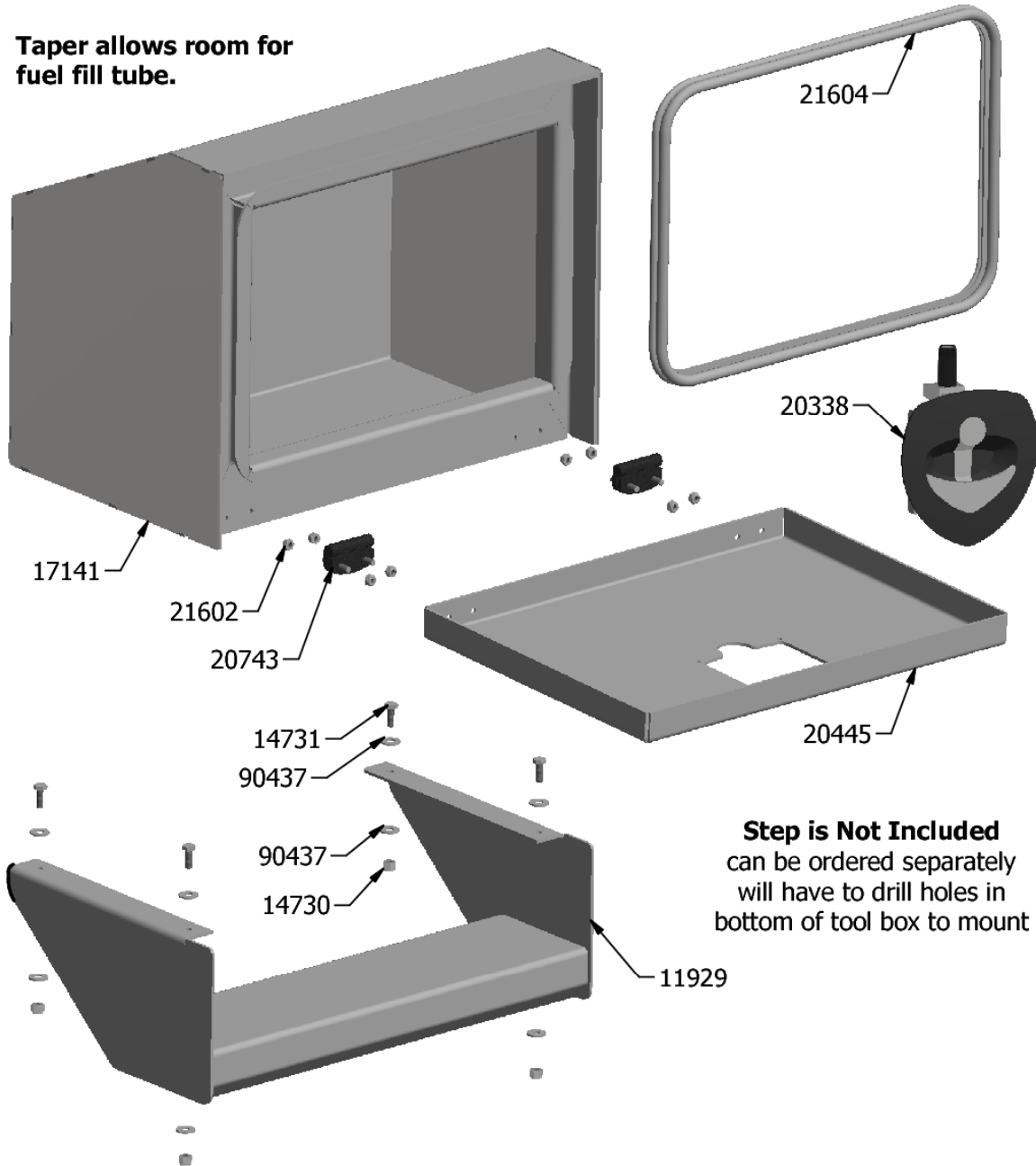


PARTS LIST			PARTS LIST		
Part #	Description	Qty	Part #	Description	Qty
14331	27" Tool box	1	21602	M6 Nylock Nut	8
21605	Trim Seal 27" Tool box	1	14731	1/4" x 3/4" Bolt	4
20446	Door 27" Tool box	1	90437	1/4" Flat Washer	8
20338	Vector T- Handle	1	11928	Step 27" Tool box	1
20743	Butt Hinge with studs	2	14730	1/4" Nylock Nut	4



10894 18" Underbed Tapered Tool Box

Taper allows room for fuel fill tube.

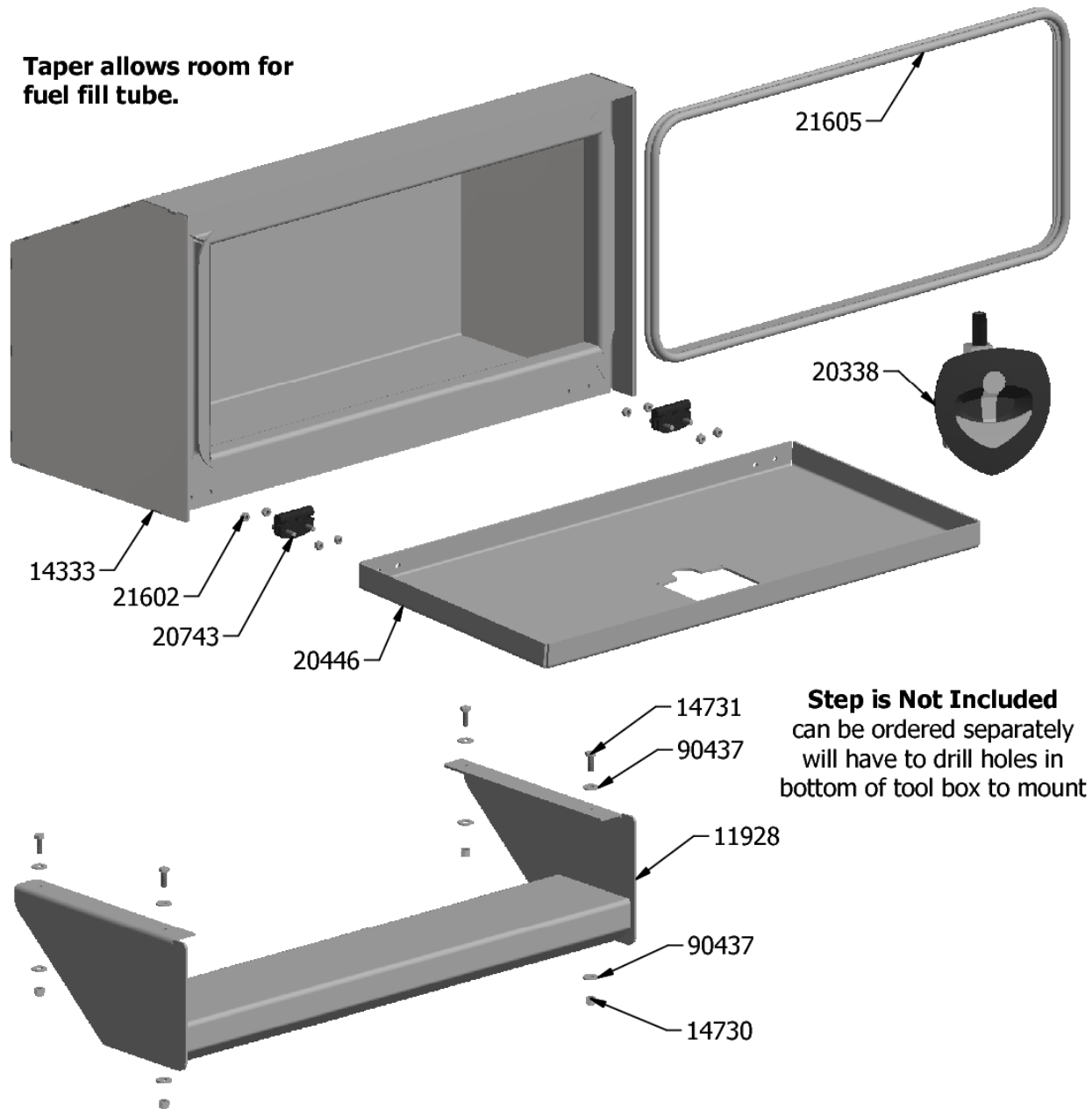


PARTS LIST			PARTS LIST		
Part #	Description	Qty	Part #	Description	Qty
17141	18" Tapered Toolbox	1	11929	Step for 18" Tool box	1
21604	Trim Seal 18" Tool box	1	21602	M6 Nylock Nut	8
20445	Door 18" Tool box	1	14731	1/4" x 3/4" Bolt	4
20338	Vector T- Handle Latch	1	90437	1/4" Flat Washer	8
20743	Butt Hinge with studs	2	14730	1/4" Nylock Nut	4



10893 27" Underbed Tapered Toolbox

Taper allows room for fuel fill tube.

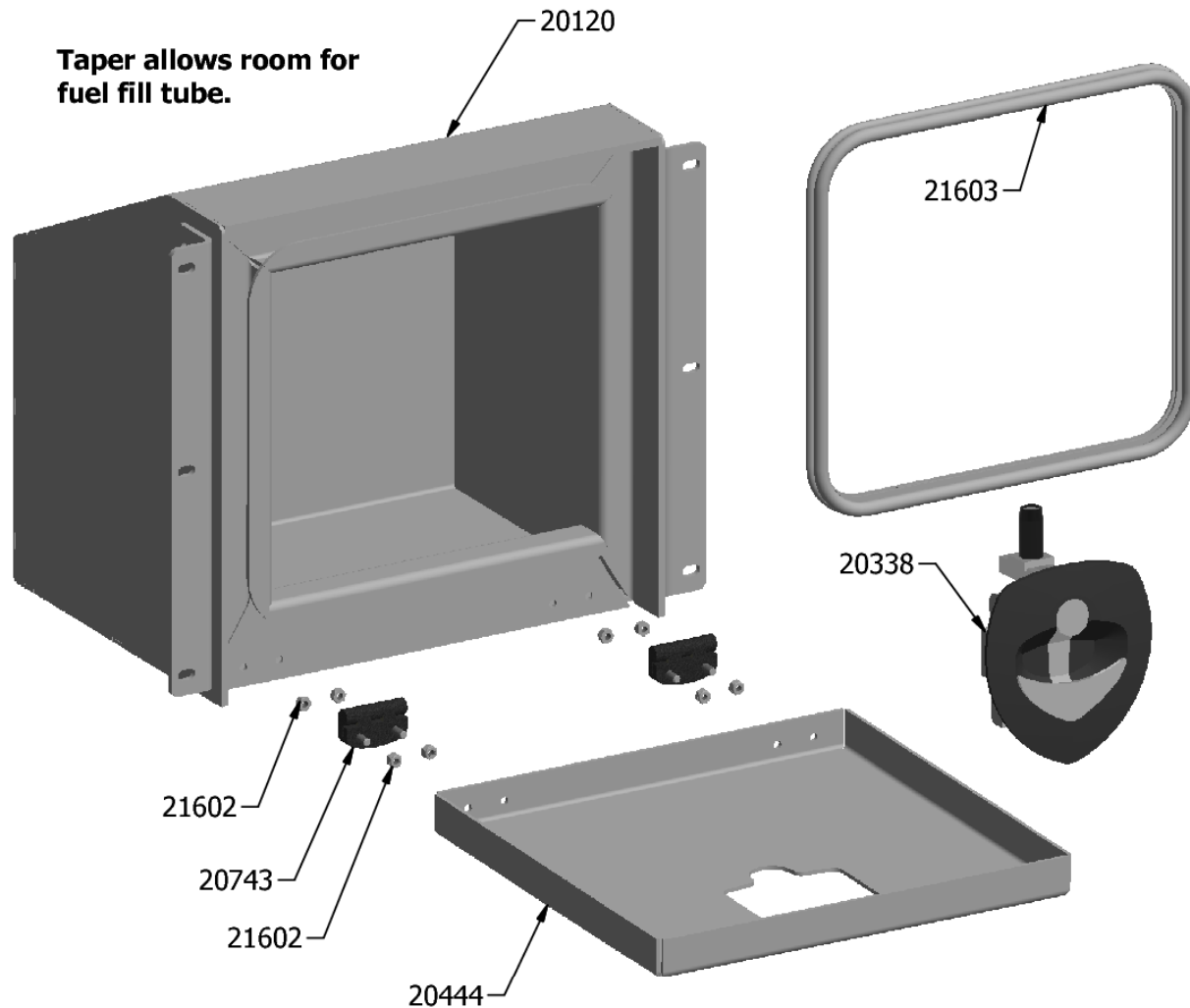


Step is Not Included
can be ordered separately
will have to drill holes in
bottom of tool box to mount

PARTS LIST			PARTS LIST		
Part #	Description	Qty	Part #	Description	Qty
14333	27" Underbed Tapered Tool box	1	21602	M6 Nylock Nut	8
21605	Trim Seal for 27" Tool box	1	11928	Step for 27" Tool box	1
20446	Door for 27" Tool box	1	14731	1/4" x 3/4" Bolt	4
20338	Vector T - Handle Latch	1	90437	1/4" Flat Washer	8
20743	Butt Hinge with studs	2	14730	1/4" Nylock Nut	4



20441 14-1/2" Underbed Skirted Tool box

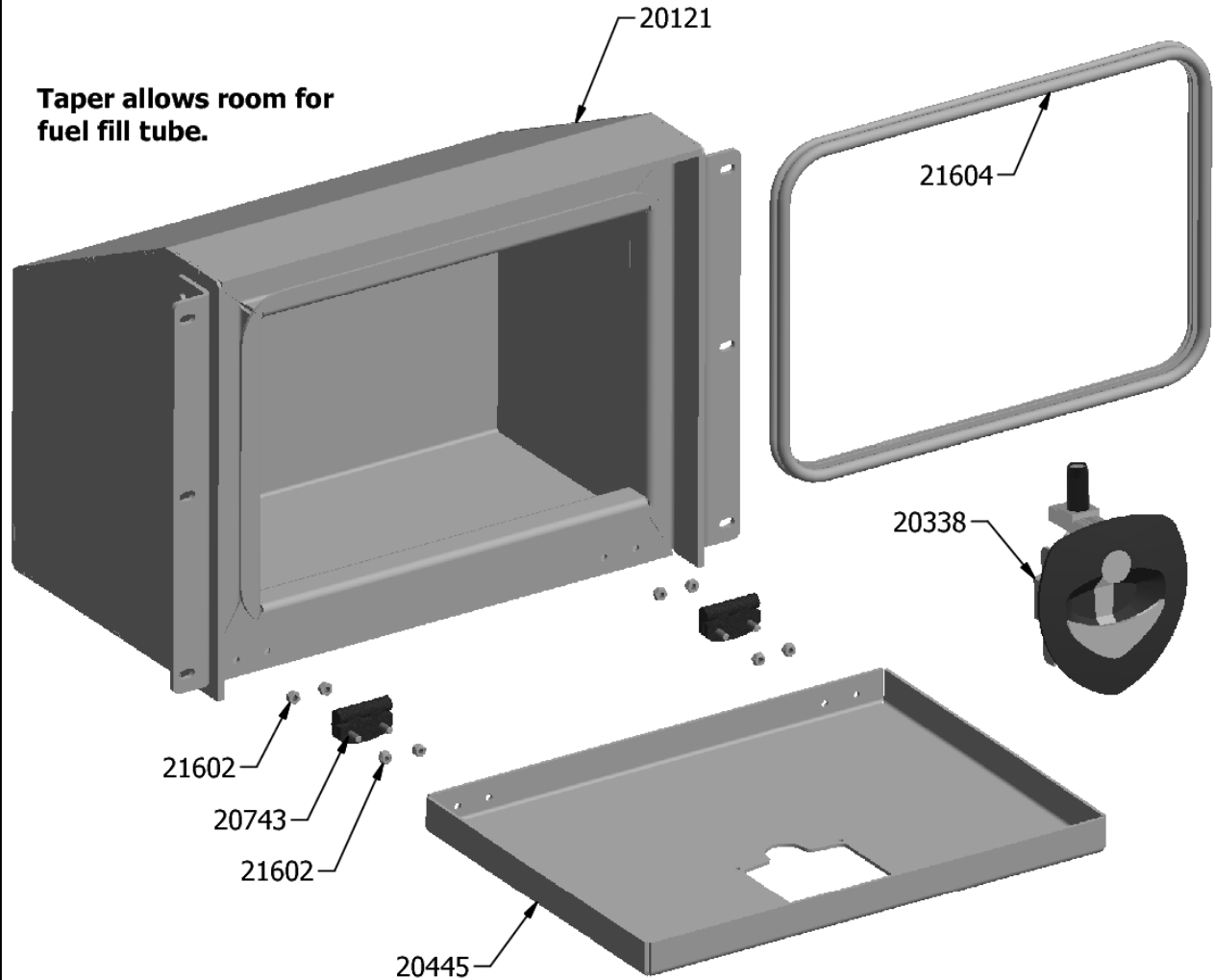


Steps on Skirted beds mount direct to bed not to the toolbox

PARTS LIST			PARTS LIST		
Part #	Description	Qty	Part #	Description	Qty
20120	14-1/2" Tapered Skirted bed tool box	1	20743	Butt Hinge with studs	2
21603	Trim Seal for 14-1/2" tool box	1	20338	Vector T - Handle Latch	1
20444	Door for 14-1/2" tool box	1	21602	M6 Nylock Nut	8



20442 18" Underbed Skirted Tool box

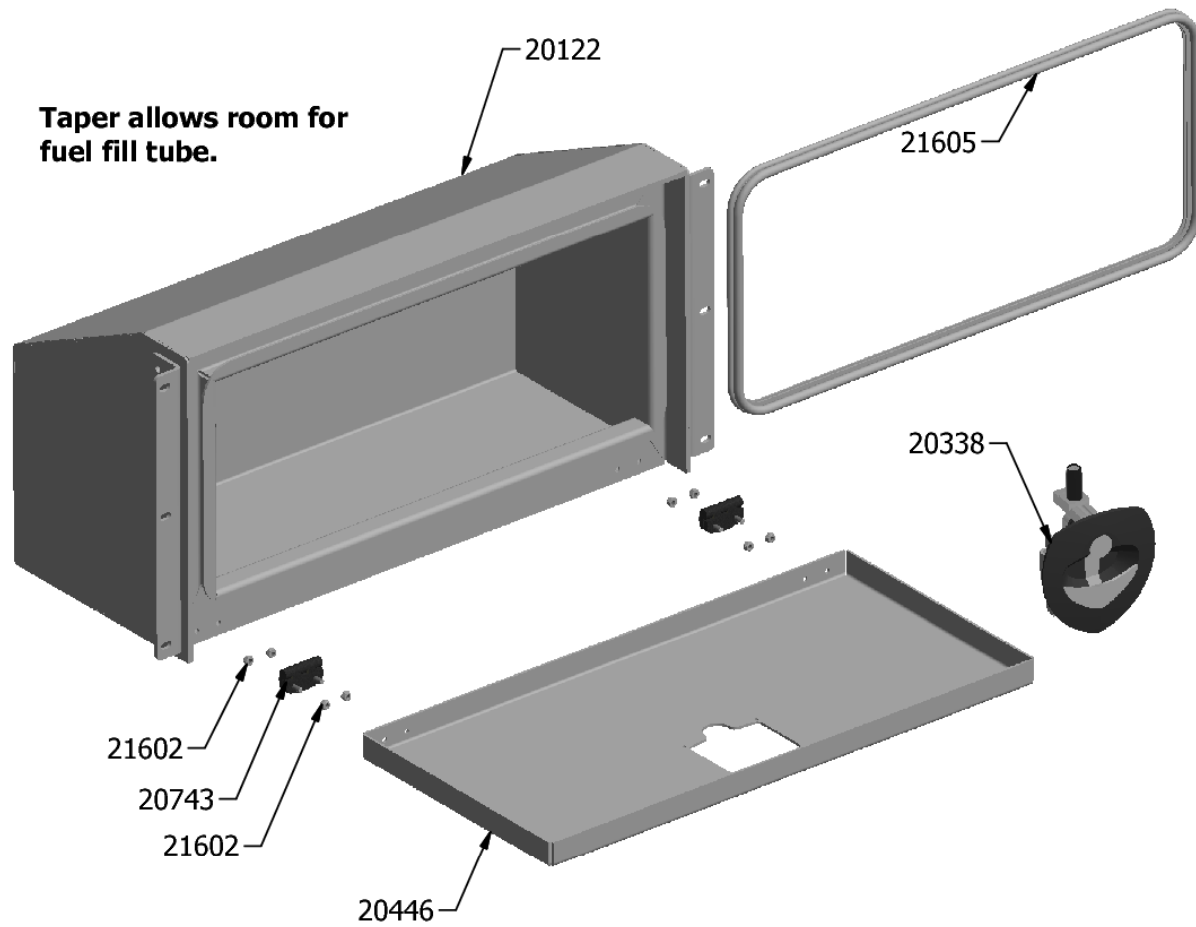


Steps on Skirted beds mount direct to bed not to the toolbox

PARTS LIST			PARTS LIST		
Part #	Description	Qty	Part #	Description	Qty
20121	18" Tapered Skirted bed tool box	1	20338	Vecto T- Handle latch	1
21604	Trim Seal for 18" Tool box	1	20743	Butt hinge with studs	2
20445	Door for 18" Tool box	1	21602	M6 Nylock Nut	8



20443 27" Underbed Skirted Tool box



Steps on Skirted beds mount direct to bed not to the toolbox

PARTS LIST			PARTS LIST		
Part #	Description	Qty	Part #	Description	Qty
20122	27" Tapered Skirted bed tool box	1	20743	Butt Hinge with studs	2
21605	Trim Seal for 27" tool box	1	20338	Vector T - Handle Latch	1
20446	Door for 27" tool box	1	21602	M6 Nylock Nut	8