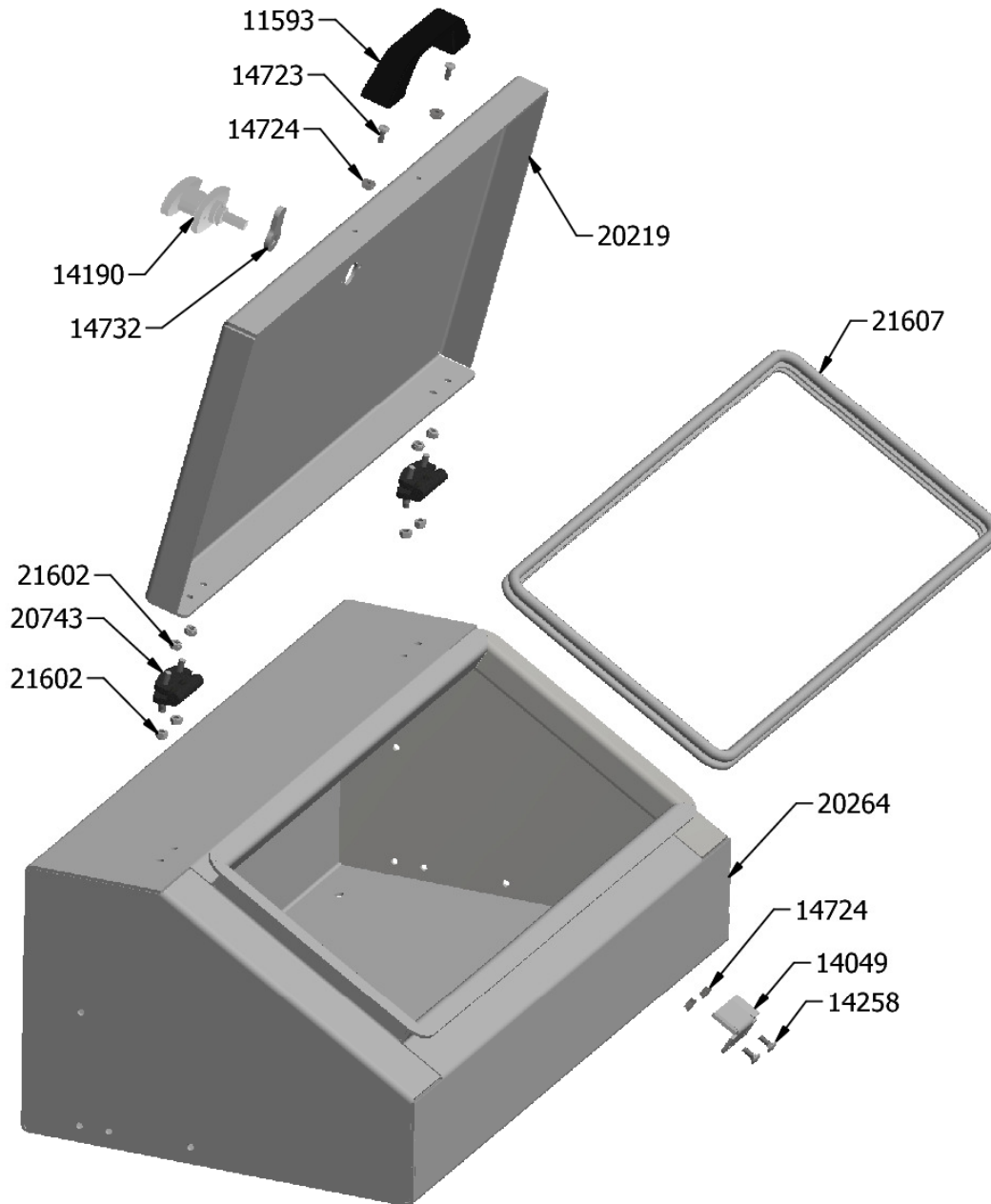




## 20312 26" Tapered Tool box 15" Deep

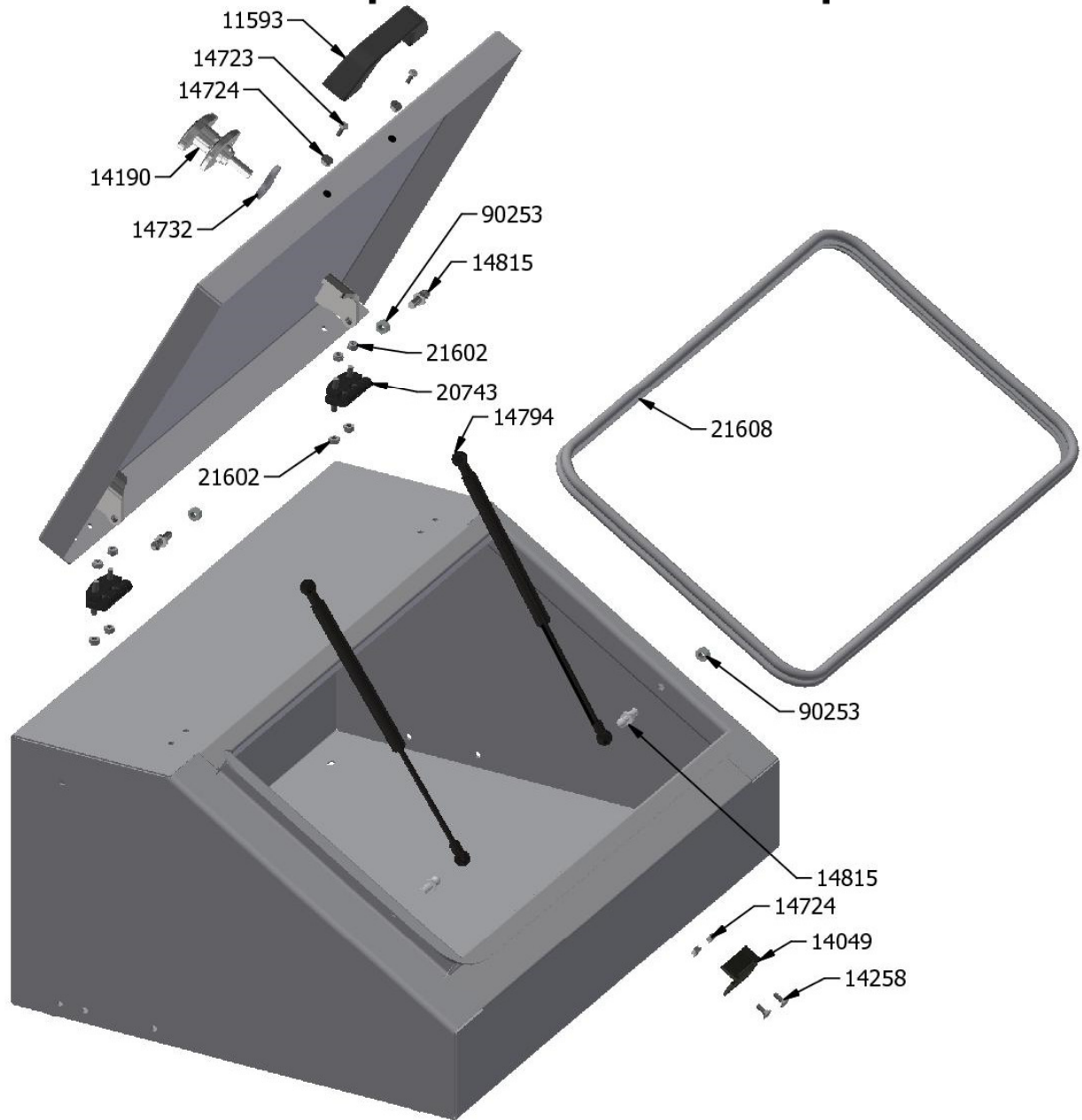


PARTS LIST			PARTS LIST		
Part #	Description	Qty	Part #	Description	Qty
20264	26" Top Taper - 15" Deep	1	14723	10-24 Star Head Bolt	2
21607	Trim Seal 26" Top Taper	1	14724	10-24 Flange Nut	2
20219	Door 26" Top Taper	1	21602	M6 Nylock Nut	8
14190	T- Handle - Locking	1	20743	Butt Hinge with studs	2
14732	T - Handle locking lever	1	14049	Tool Box latch plate	1
11593	Plastic Grab Handle	2	14258	3/16" x 1/2" Carriage Bolt	2



## 20313

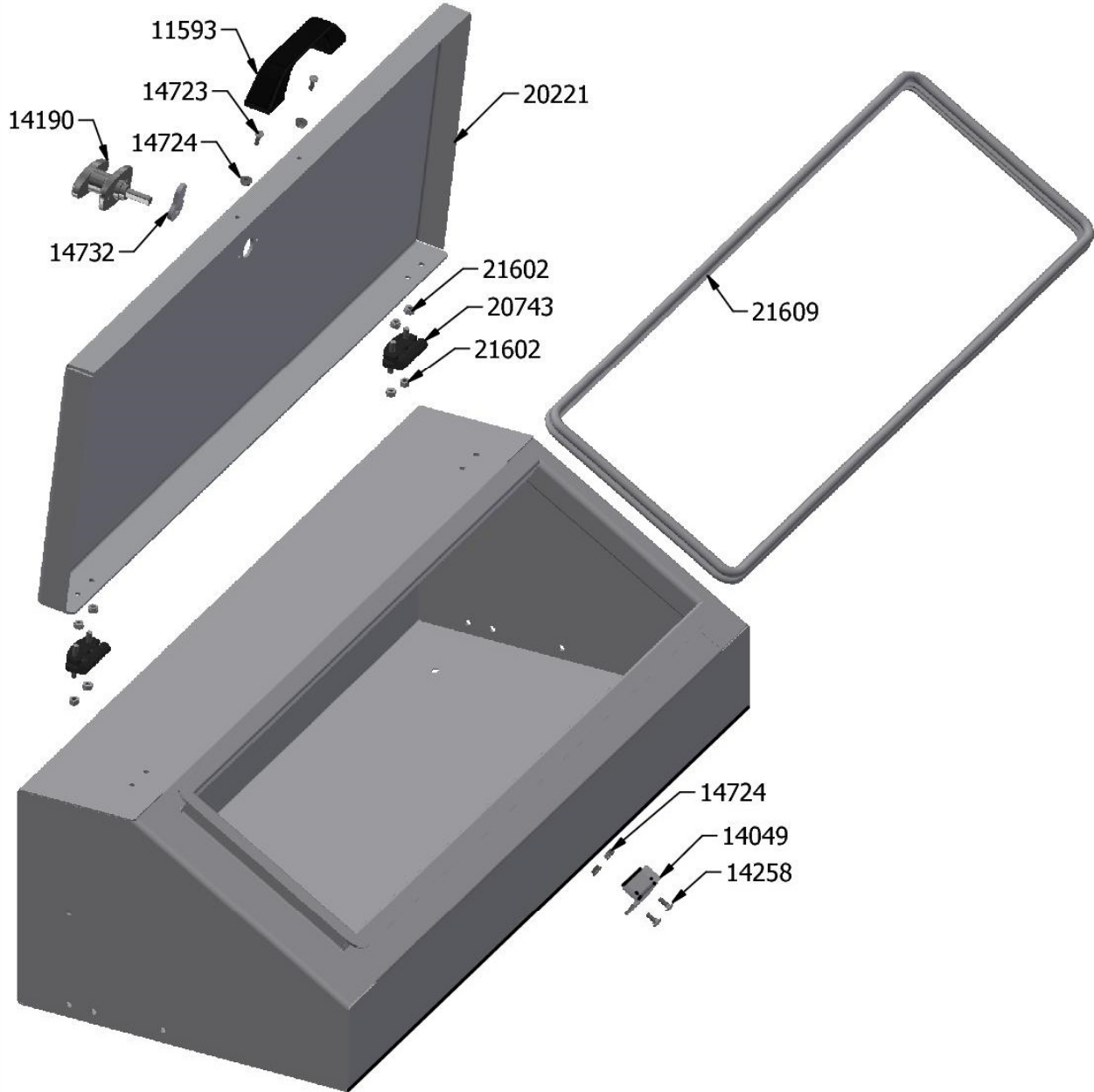
### 26" Tapered Tool box 20" Deep



PARTS LIST			PARTS LIST		
Part #	Description	Qty	Part #	Description	Qty
20265	26" Top Taper - 20" Deep	1	14723	10-24 Star Head Bolt	2
21608	Trim Seal 26" Top Taper	1	14724	10-24 Flange Nut	4
20914	Door 26" Top Taper- 20" only	1	21602	M6 Nylock Nut	8
14190	T- Handle - Locking	1	20743	Butt Hinge with studs	2
14732	T - Handle locking lever	1	14049	Tool Box latch plate	1
11593	Plastic Grab Handle	1	14258	3/16" x 1/2" Carriage Bolt	2
14794	35 lb Gas Spring	2	90253	5/16" Nut	4
14815	Ball Stud 10mm x 1/2"	4			



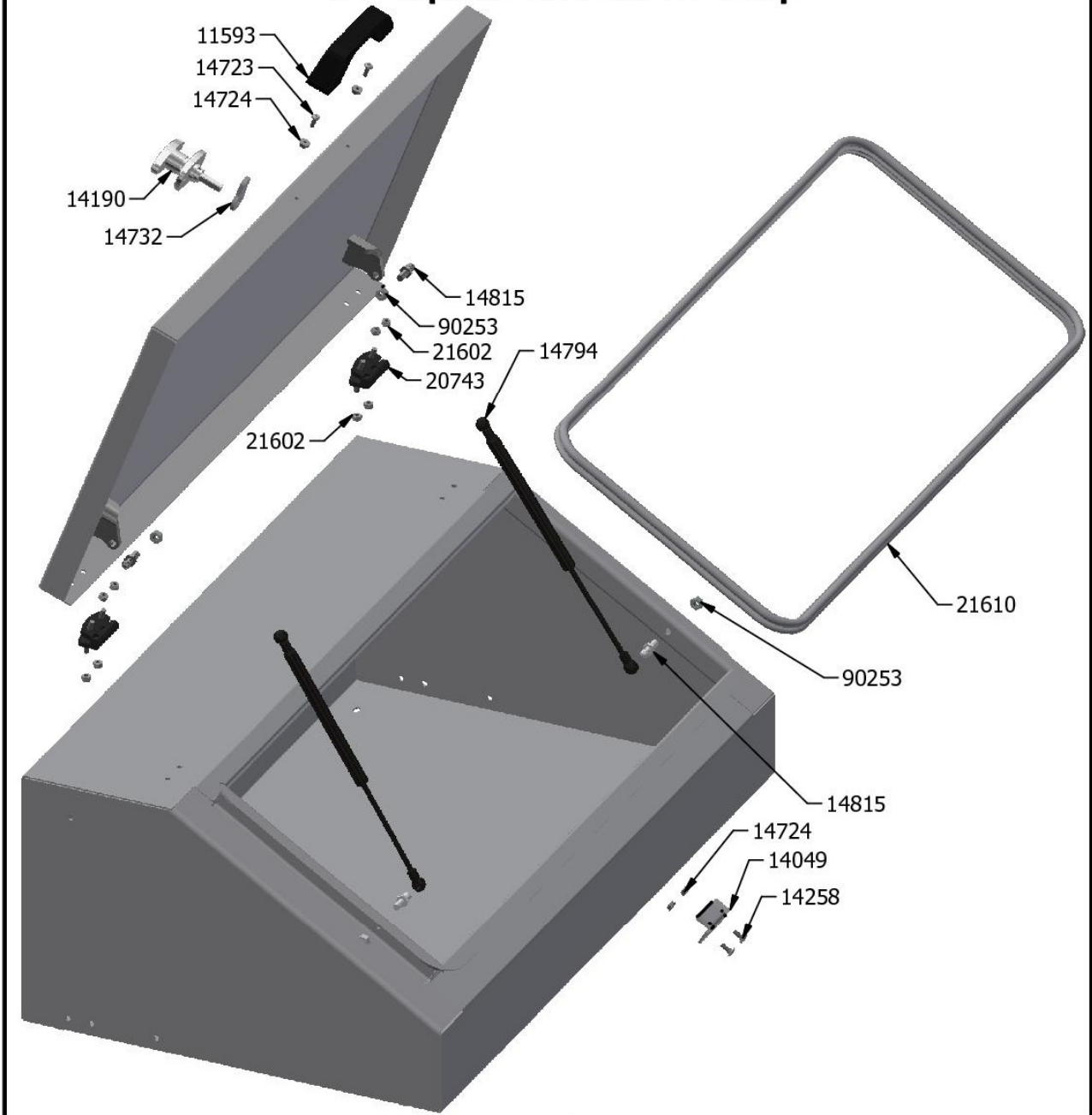
## 20315 34" Tapered Tool box 15" Deep



PARTS LIST			PARTS LIST		
Part #	Description	Qty	Part #	Description	Qty
20267	34" Top Taper - 15" Deep	1	14723	10-24 Star Head Bolt	2
21609	Trim Seal 34" Top Taper	1	14724	10-24 Flange Nut	4
20221	Door 34" Top Taper	1	21602	M6 Nylock Nut	8
14190	T- Handle - Locking	1	20743	Butt Hinge with studs	2
14732	T - Handle locking lever	1	14049	Tool Box latch plate	1
11593	Plastic Grab Handle	1	14258	3/16" x 1/2" Carriage Bolt	2



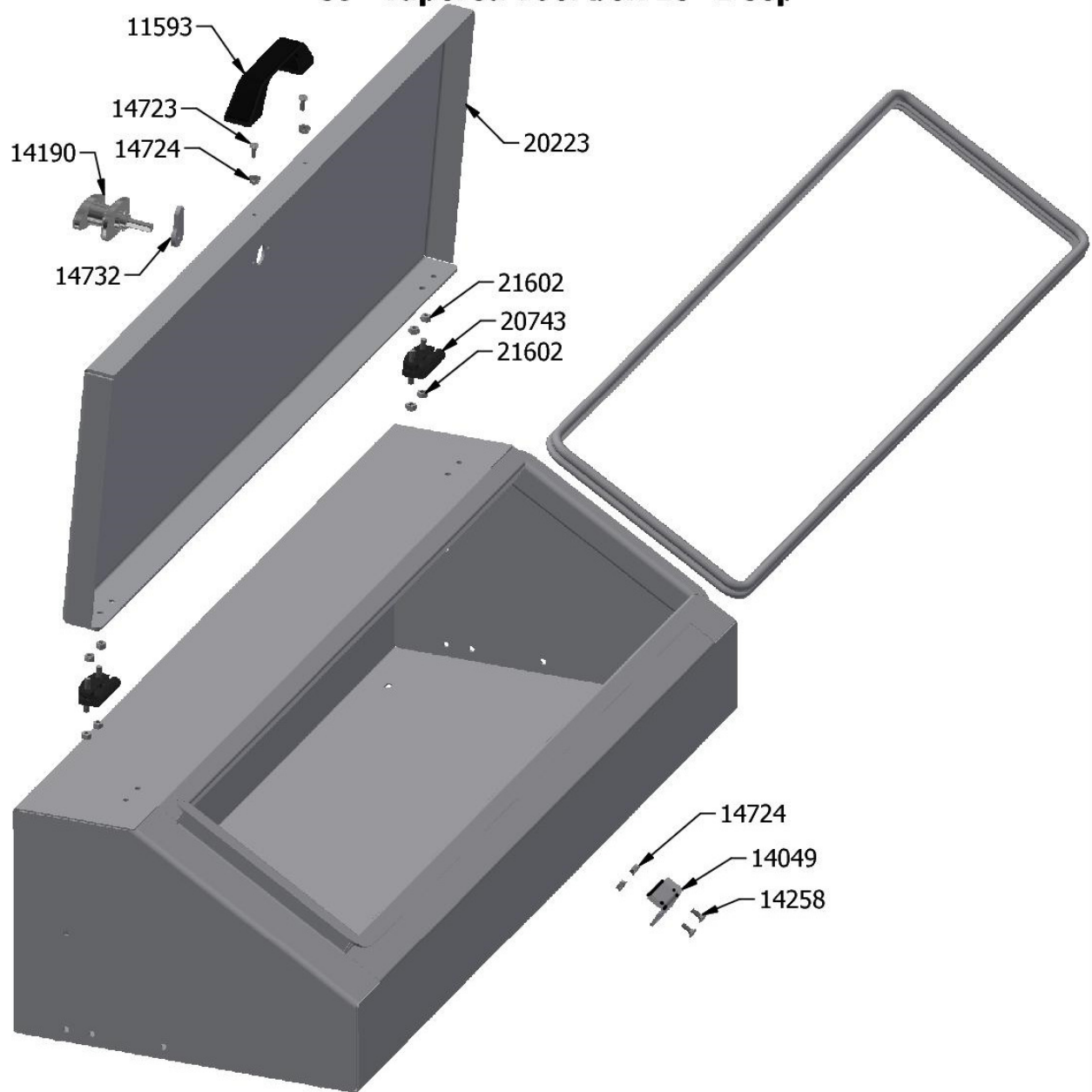
## 20316 34" Tapered Tool box 20" Deep



PARTS LIST			PARTS LIST		
Part #	Description	Qty	Part #	Description	Qty
20268	34" Top Taper - 20" Deep	1	14723	10-24 Star Head Bolt	2
21610	Trim Seal 34" Top Taper	1	14724	10-24 Flange Nut	4
20915	Door 34" Top Taper- 20" only	1	21602	M6 Nylock Nut	8
14190	T- Handle - Locking	1	20743	Butt Hinge with studs	2
14732	T - Handle locking lever	1	14049	Tool Box latch plate	1
11593	Plastic Grab Handle	1	14258	3/16" x 1/2" Carriage Bolt	2
14794	35 lb Gas Spring	2	90253	5/16" Nut	4
14815	Ball Stud 10mm x 1/2"	4			



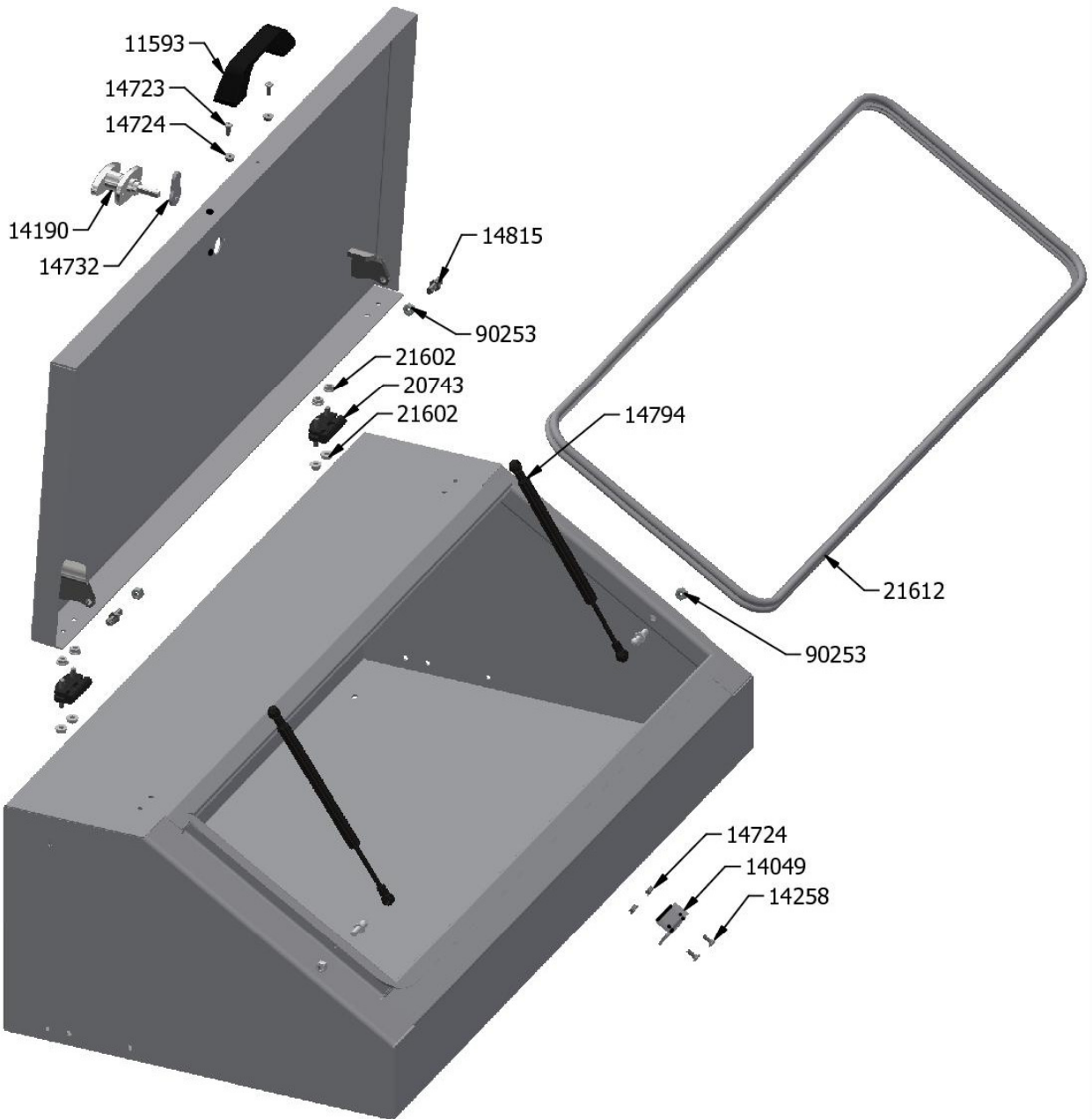
**20318**  
**39" Tapered Tool box 15" Deep**



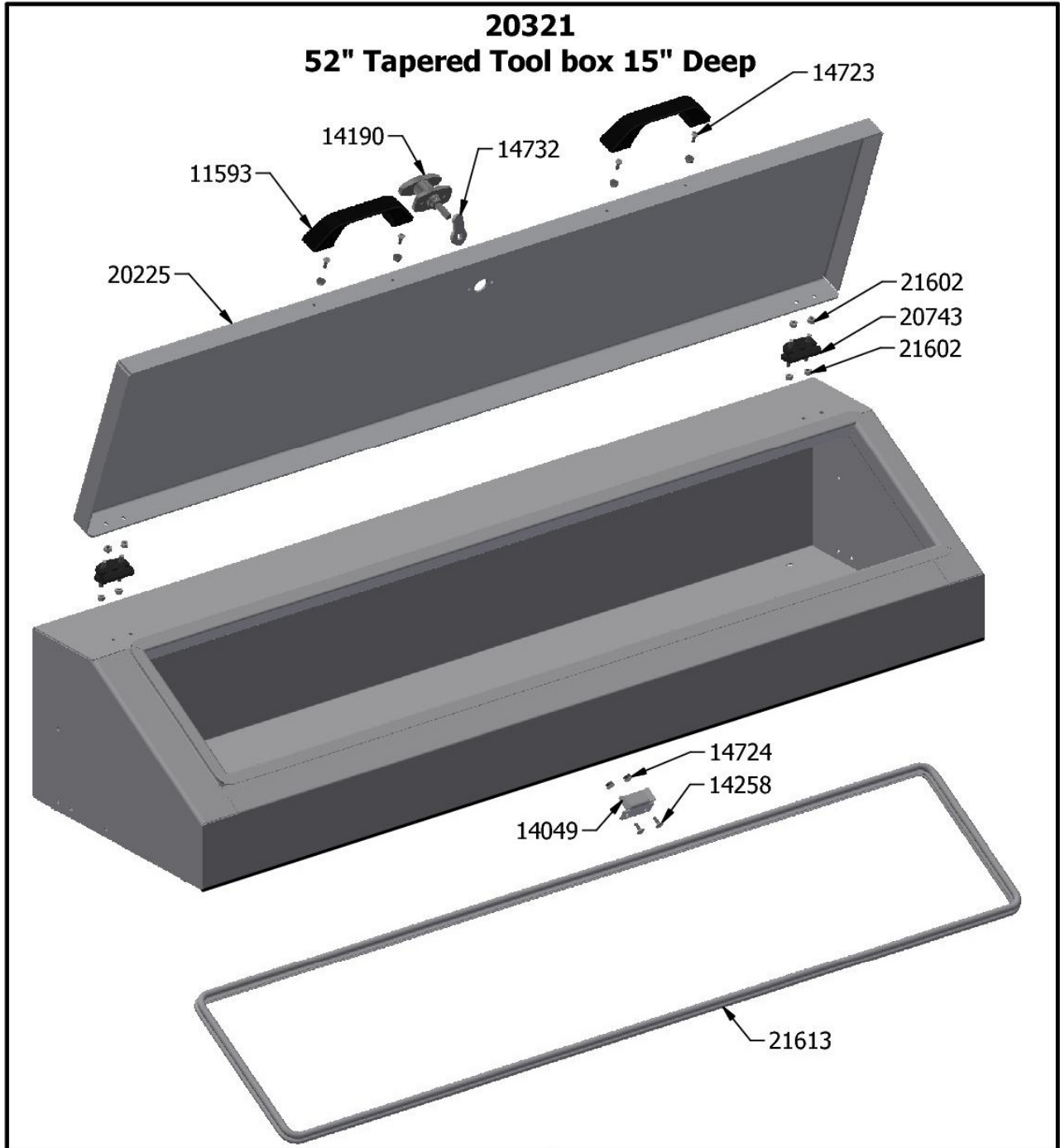
PARTS LIST			PARTS LIST		
Part #	Description	Qty	Part #	Description	Qty
20270	39" Top Taper - 15" Deep	1	14723	10-24 Star Head Bolt	2
21611	Trim Seal 39" Top Taper	1	14724	10-24 Flange Nut	4
20223	Door 39" Top Taper	1	21602	M6 Nylock Nut	8
14190	T- Handle - Locking	1	20743	Butt Hinge with studs	2
14732	T - Handle locking lever	1	14049	Tool Box latch plate	1
11593	Plastic Grab Handle	1	14258	3/16" x 1/2" Carriage Bolt	2



## 20319 39" Tapered Tool box 20" Deep



PARTS LIST			PARTS LIST		
Part #	Description	Qty	Part #	Description	Qty
20271	39" Top Taper - 20" Deep	1	14723	10-24 Star Head Bolt	2
21612	Trim Seal 39" Top Taper	1	14724	10-24 Flange Nut	4
20916	Door 39" Top Taper- 20" only	1	21602	M6 Nylock Nut	8
14190	T- Handle - Locking	1	20743	Butt Hinge with studs	2
14732	T - Handle locking lever	1	14049	Tool Box latch plate	1
11593	Plastic Grab Handle	1	14258	3/16" x 1/2" Carriage Bolt	2
14794	35 lb Gas Spring	2	90253	5/16" Nut	4
14815	Ball Stud 10mm x 1/2"	4			

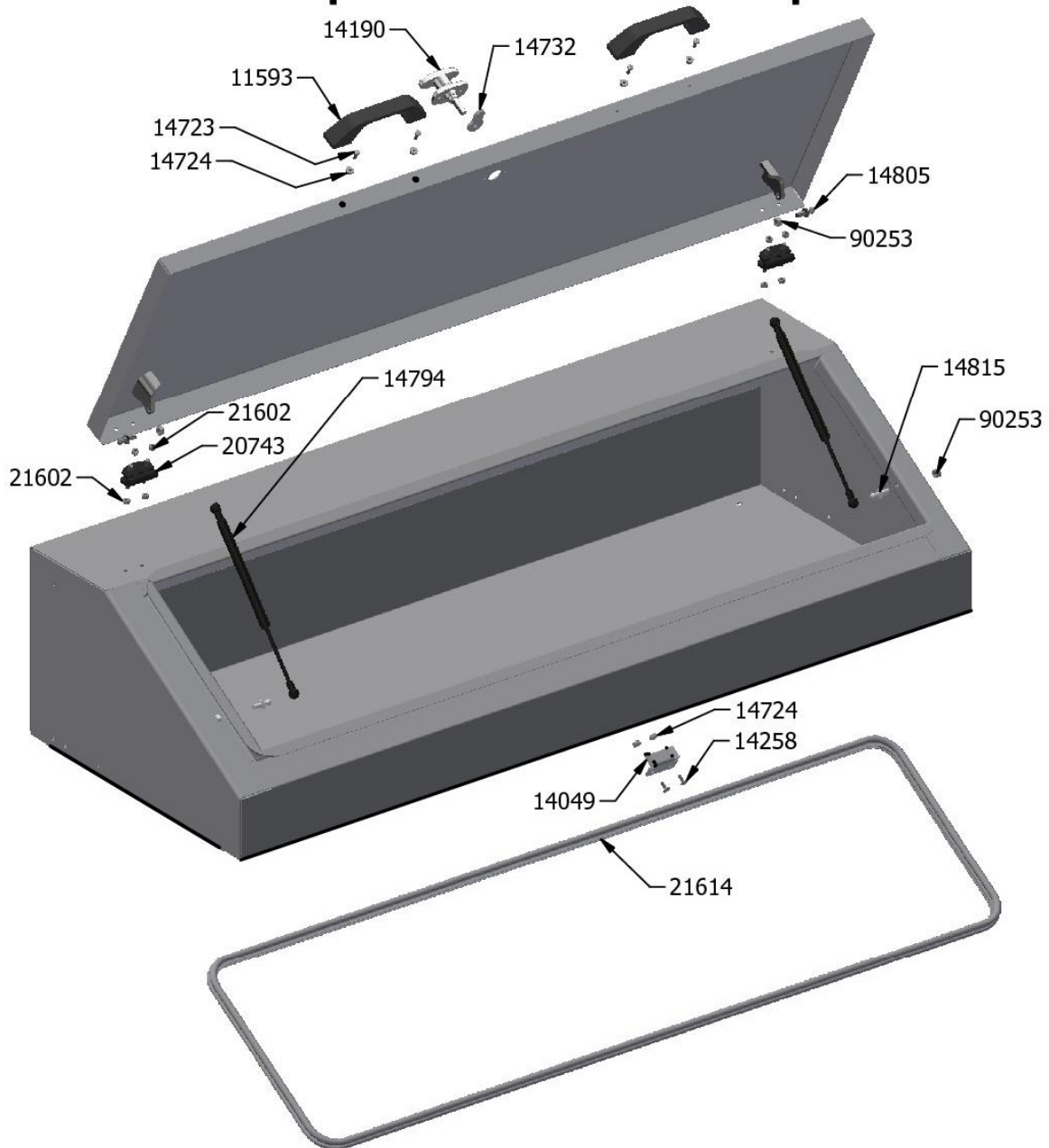


PARTS LIST			PARTS LIST		
Part #	Description	Qty	Part #	Description	Qty
20273	52" Top Taper - 15" Deep	1	14723	10-24 Star Head Bolt	4
21613	Trim Seal 52" Top Taper	1	14724	10-24 Flange Nut	6
20225	Door 52" Top Taper	1	21602	M6 Nylock Nut	8
14190	T- Handle - Locking	1	20743	Butt Hinge with studs	2
14732	T - Handle locking lever	1	14049	Tool Box latch plate	1
11593	Plastic Grab Handle	2	14258	3/16" x 1/2" Carriage Bolt	2



**20322**

**52" Tapered Tool box 20" Deep**

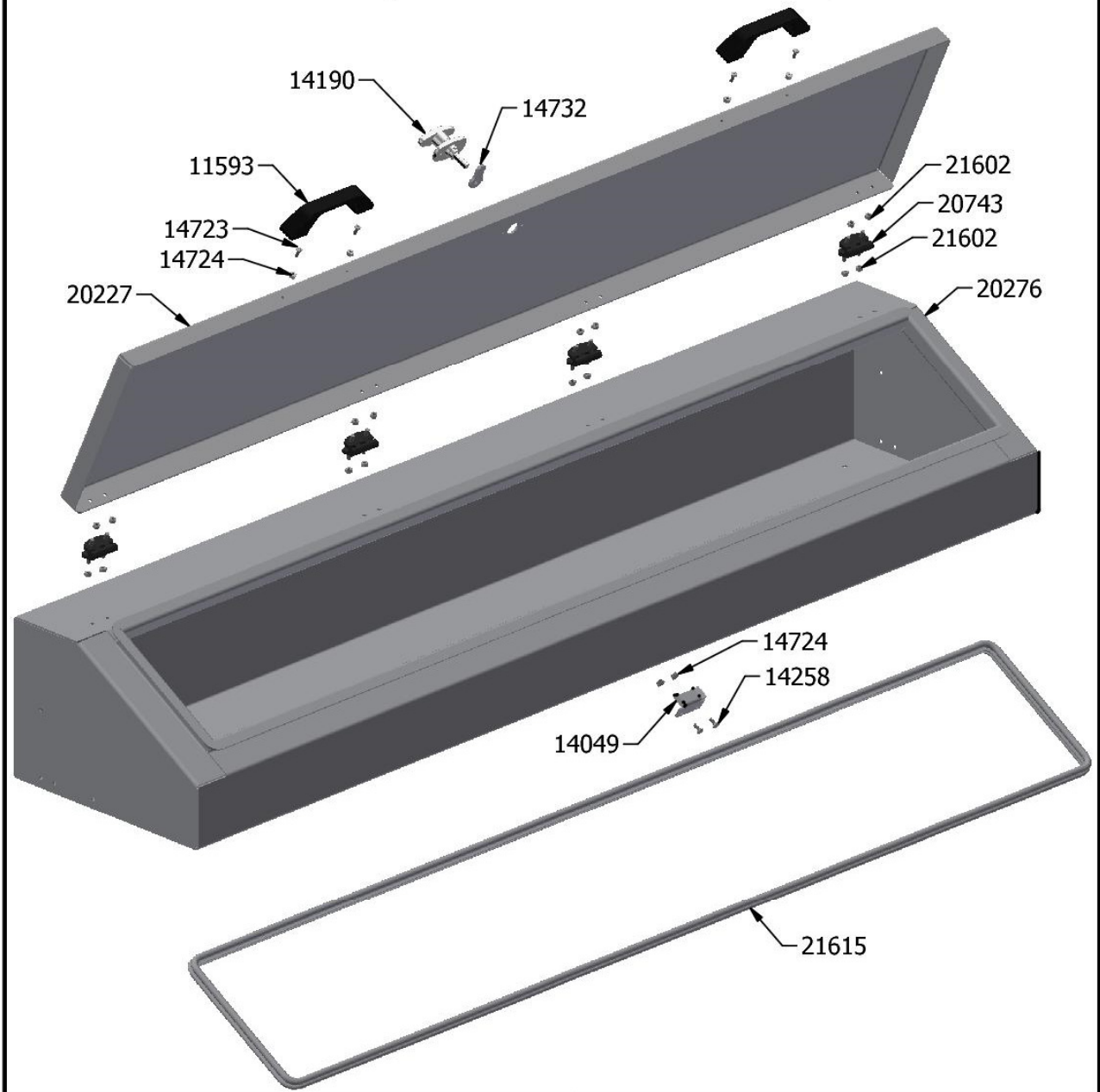


PARTS LIST			PARTS LIST		
Part #	Description	Qty	Part #	Description	Qty
20274	52" Top Taper - 20" Deep	1	14723	10-24 Star Head Bolt	4
21614	Trim Seal 52" Top Taper	1	14724	10-24 Flange Nut	6
20917	Door 52" Top Taper- 20" only	1	21602	M6 Nylock Nut	8
14190	T- Handle - Locking	1	20743	Butt Hinge with studs	2
14732	T - Handle locking lever	1	14049	Tool Box latch plate	1
11593	Plastic Grab Handle	2	14258	3/16" x 1/2" Carriage Bolt	2
14794	35 lb Gas Spring	2	90253	5/16" Nut	4
14815	Ball Stud 10mm x 1/2"	4			





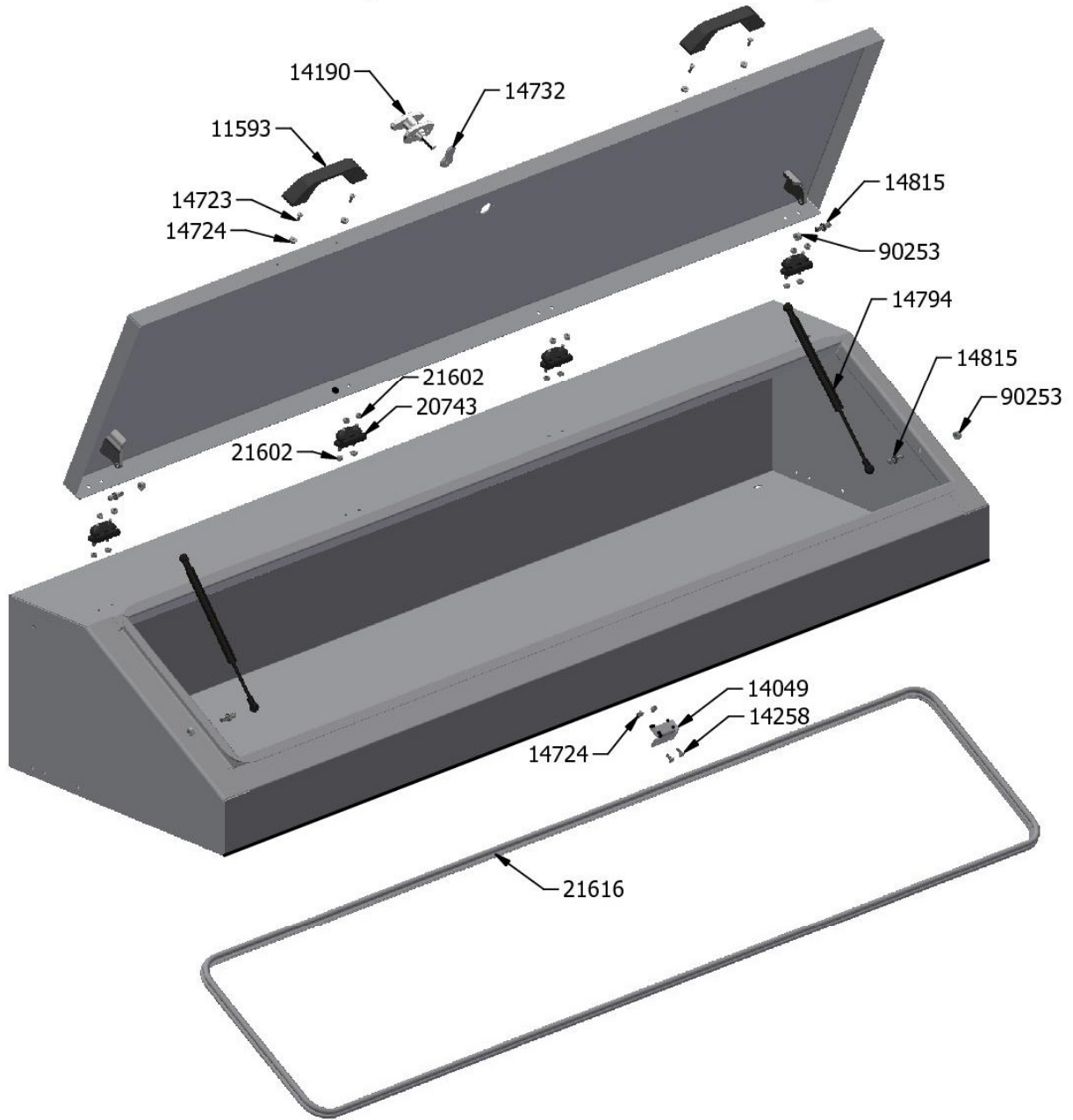
## 20324 68" Tapered Tool box 15" Deep



PARTS LIST			PARTS LIST		
Part #	Description	Qty	Part #	Description	Qty
20276	68" Top Taper - 15" Deep	1	14723	10-24 Star Head Bolt	4
21615	Trim Seal 68" Top Taper	1	14724	10-24 Flange Nut	6
20227	Door 68" Top Taper	1	21602	M6 Nylock Nut	16
14190	T- Handle - Locking	1	20743	Butt Hinge with studs	4
14732	T - Handle locking lever	1	14049	Tool Box latch plate	1
11593	Plastic Grab Handle	2	14258	3/16" x 1/2" Carriage Bolt	2



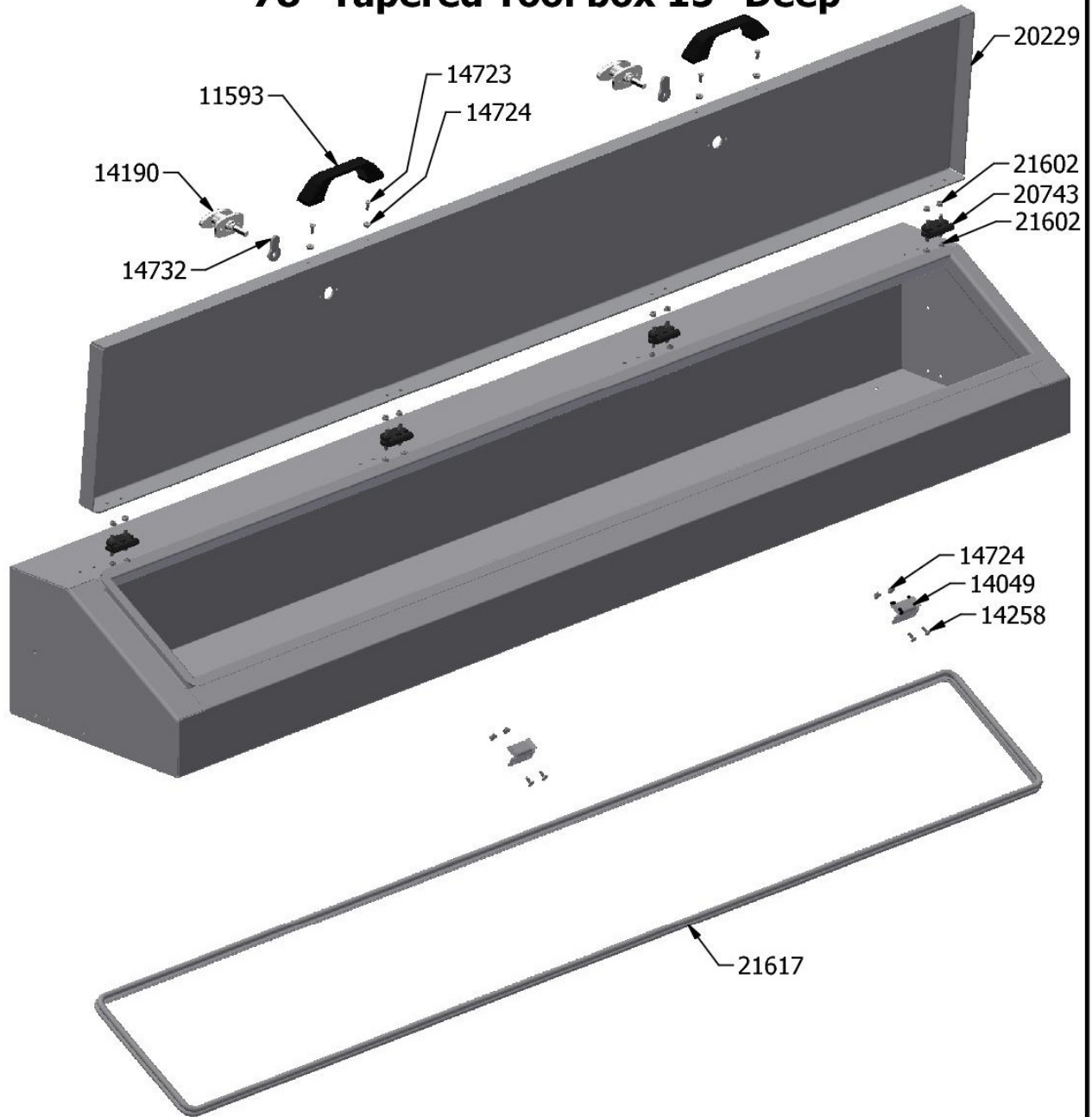
## 20325 68" Tapered Tool box 20" Deep



PARTS LIST			PARTS LIST		
Part #	Description	Qty	Part #	Description	Qty
20277	68" Top Taper - 20" Deep	1	14723	10-24 Star Head Bolt	4
21616	Trim Seal 68" Top Taper	1	14724	10-24 Flange Nut	6
20918	Door 68" Top Taper- 20" only	1	21602	M6 Nylock Nut	16
14190	T- Handle - Locking	1	20743	Butt Hinge with studs	4
14732	T - Handle locking lever	1	14049	Tool Box latch plate	1
11593	Plastic Grab Handle	2	14258	3/16" x 1/2" Carriage Bolt	2
14794	35 lb Gas Spring	2	90253	5/16" Nut	4
14815	Ball Stud 10mm x 1/2"	4			



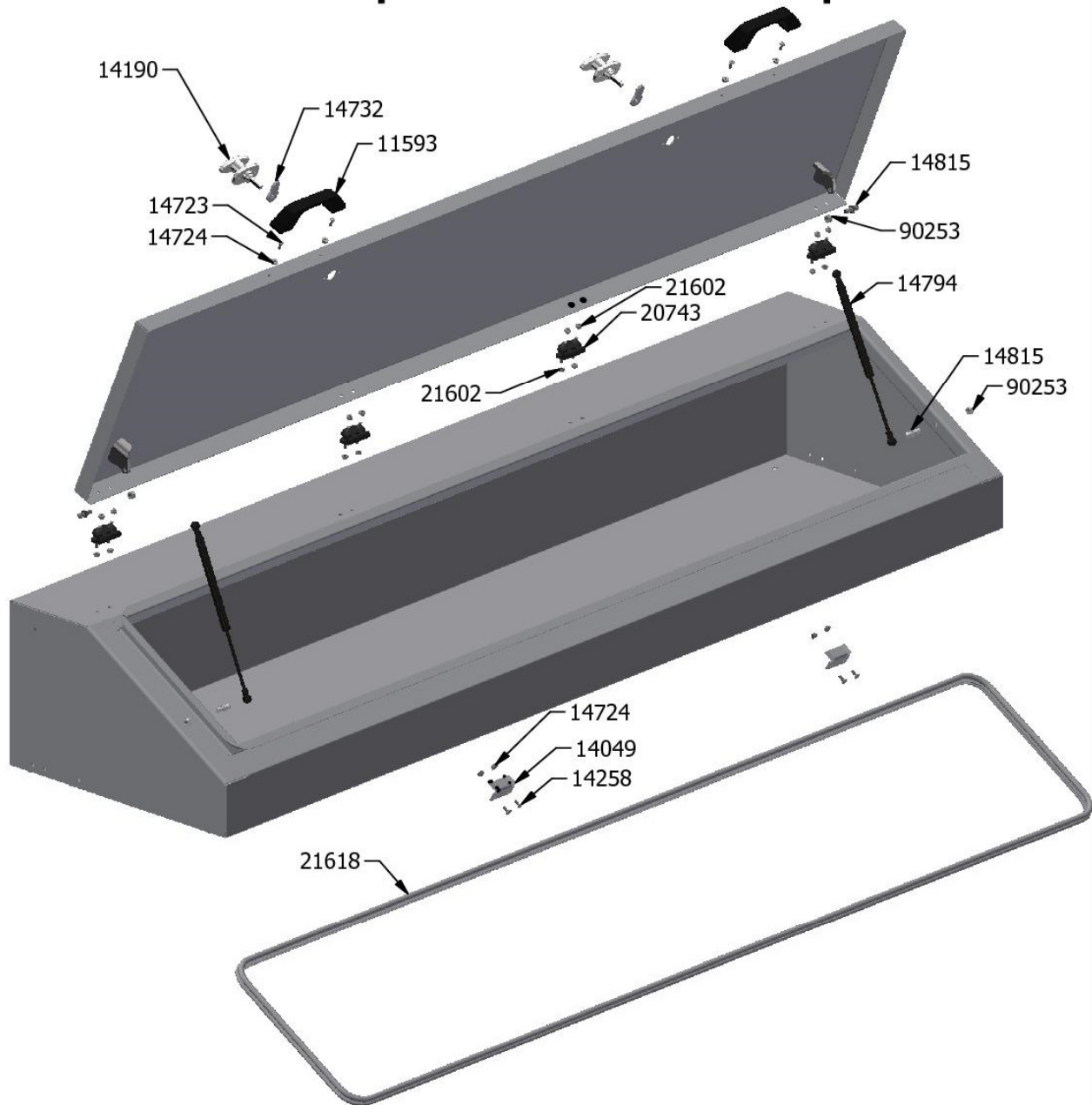
## 20327 78" Tapered Tool box 15" Deep



PARTS LIST			PARTS LIST		
Part #	Description	Qty	Part #	Description	Qty
20279	78" Top Taper - 15" Deep	1	14723	10-24 Star Head Bolt	4
21617	Trim Seal 78" Top Taper	1	14724	10-24 Flange Nut	8
20229	Door 78" Top Taper	1	21602	M6 Nylock Nut	16
14190	T- Handle - Locking	2	20743	Butt Hinge with studs	4
14732	T - Handle locking lever	2	14049	Tool Box latch plate	2
11593	Plastic Grab Handle	2	14258	3/16" x 1/2" Carriage Bolt	4



## 20328 78" Tapered Tool box 20" Deep



PARTS LIST			PARTS LIST		
Part #	Description	Qty	Part #	Description	Qty
20280	78" Top Taper - 20" Deep	1	14723	10-24 Star Head Bolt	4
21618	Trim Seal 78" Top Taper	1	14724	10-24 Flange Nut	8
20919	Door 78" Top Taper- 20" only	1	21602	M6 Nylock Nut	16
14190	T- Handle - Locking	2	20743	Butt Hinge with studs	4
14732	T - Handle locking lever	2	14049	Tool Box latch plate	2
11593	Plastic Grab Handle	2	14258	3/16" x 1/2" Carriage Bolt	4
14794	35 lb Gas Spring	2	90253	5/16" Nut	2
14815	Ball Stud 10mm x 1/2"	4			