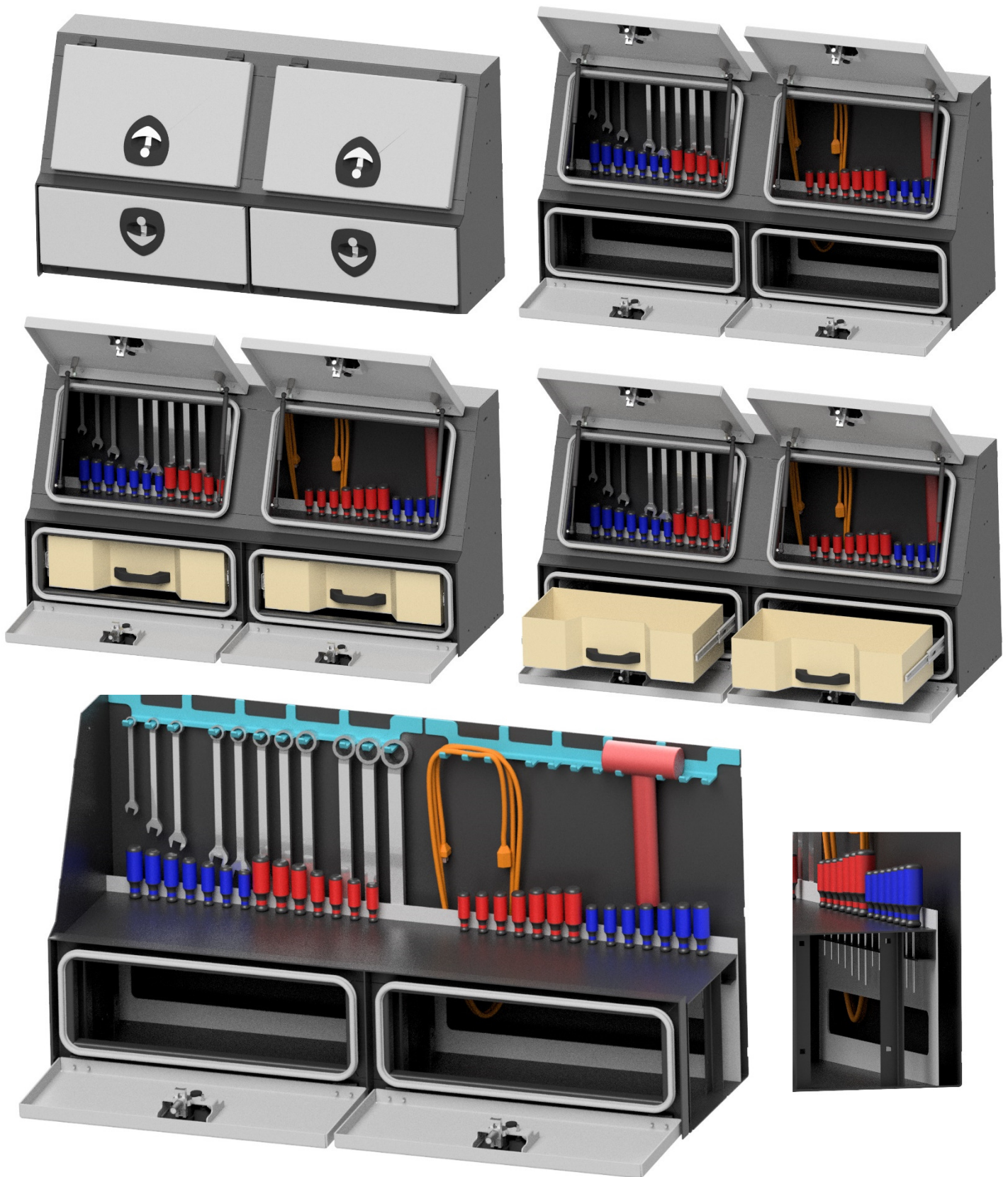




Quality Built Since 1973

Contractor Tool Boxes



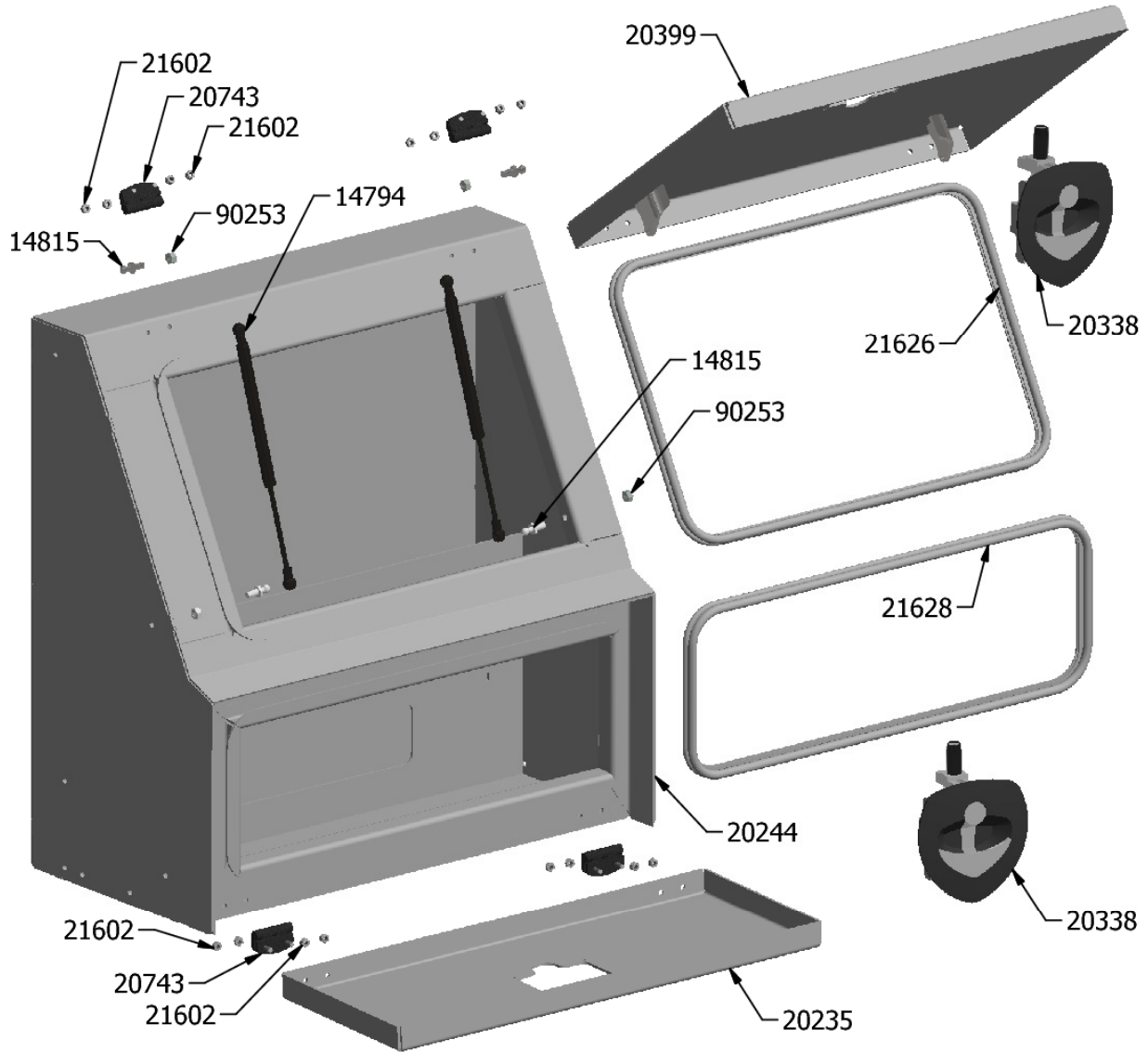


The wrench hangers have 2 wider spaces in them to make it more universal for hanging cords or possibly rubber Mallet. The toolbox is all black, changed colors on some parts so they can be seen. You can see the partition behind the screwdrivers has large access holes some if something drops you can easily open bottom doors and reach back in there to get it. There is a bracket under shelf to hold screwdrivers upright.



20292

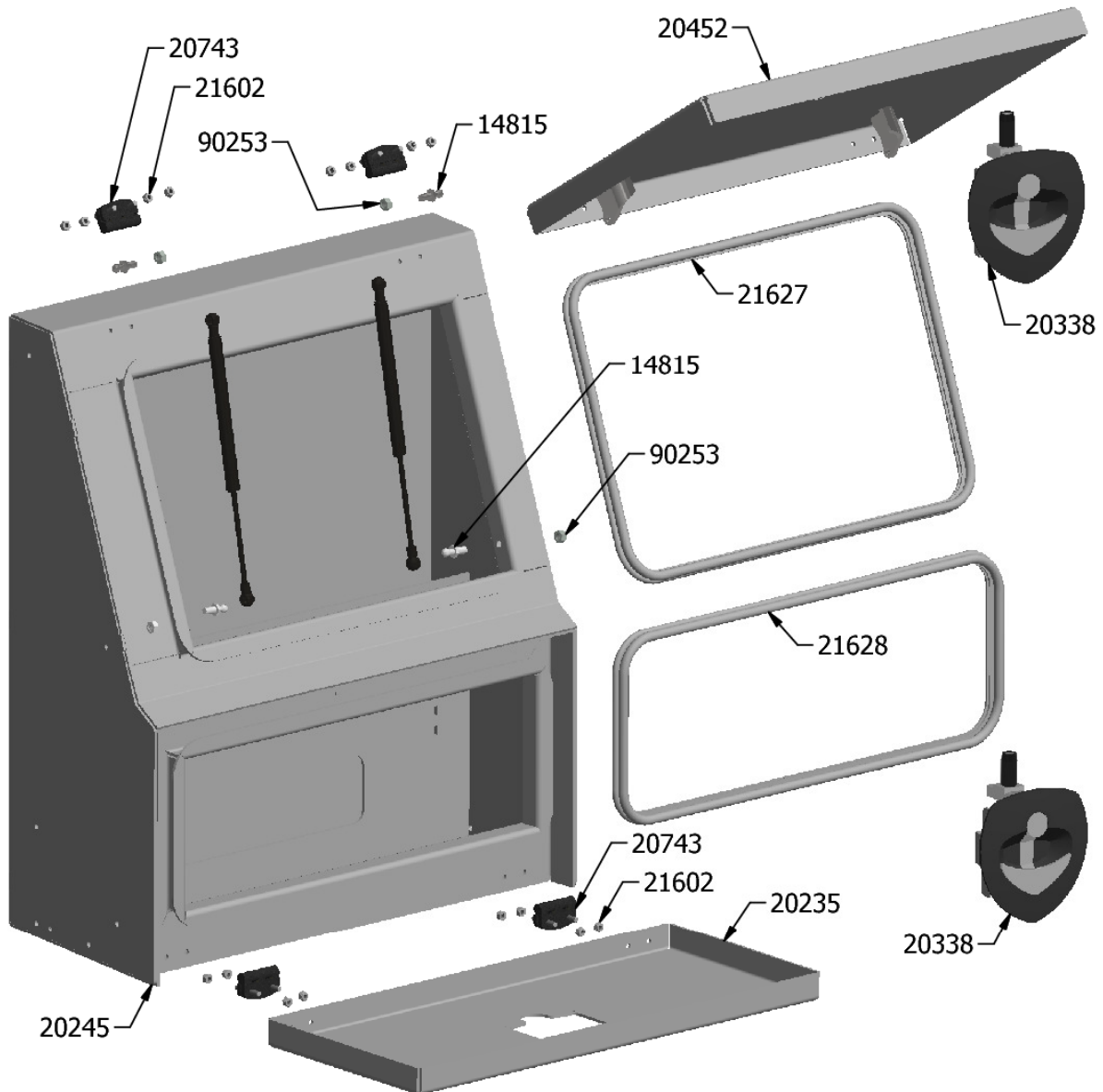
24" Left Hand Front Con Box 12" Deep (no Light)



PARTS LIST			PARTS LIST		
Part #	Description	Qty	Part #	Description	Qty
20244	24" LH Front Con Box no light	1	20743	Butt Hinge with studs	4
21626	Trim Seal 24" LH Top	1	21602	M6 Nylock Nut	16
21628	Trim Seal 24" Bottom	1	14815	Ball Stud 10mm x 1/2"	4
20338	Vector T-Handle	2	90253	5/16" Nut	4
20399	24" LH Top Door	1	14794	35l lb Gas Spring	2
20235	24" Bottom Door	1			



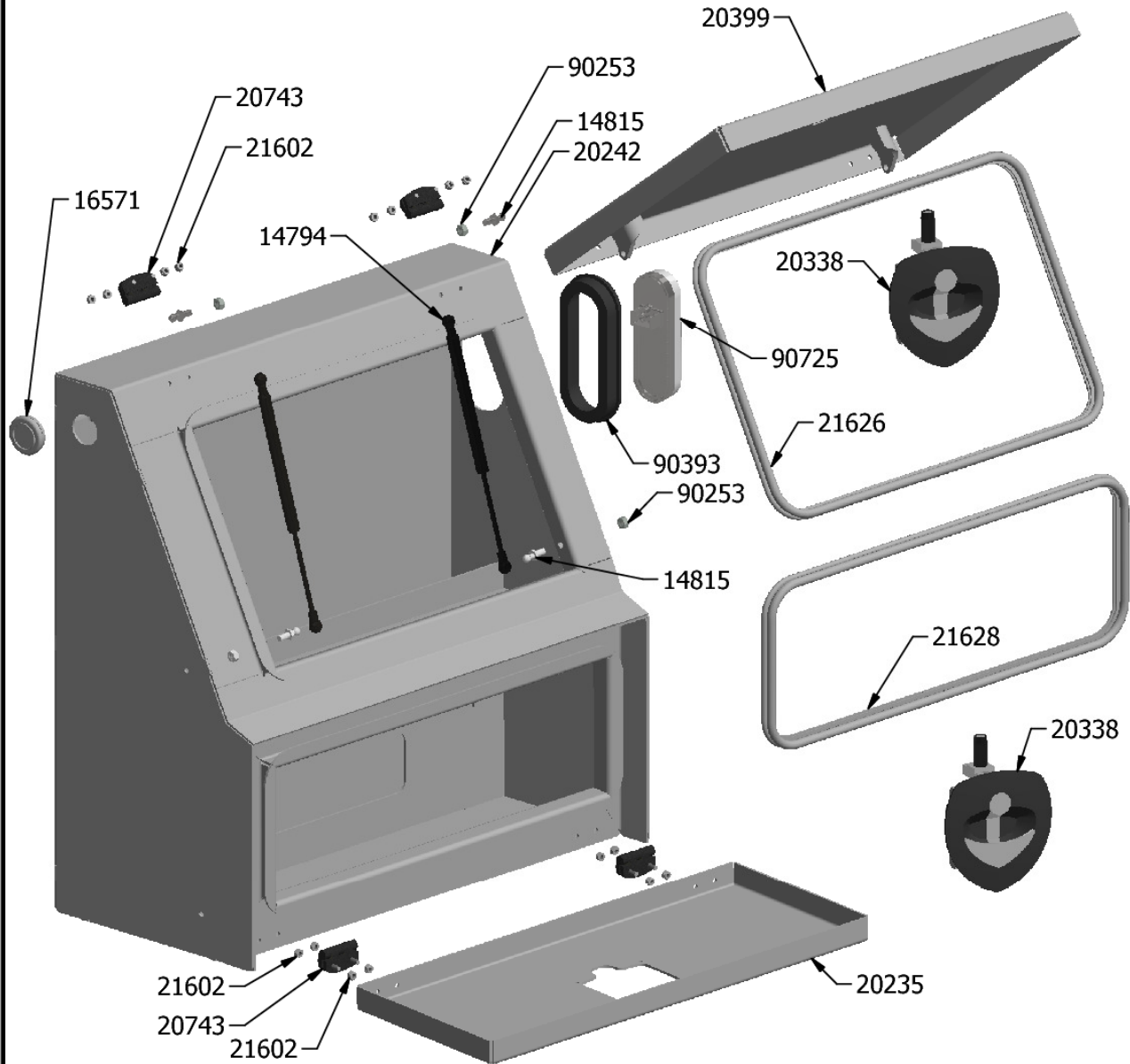
20293 24" Right Hand Front Con Box 12" Deep (no Light)



PARTS LIST			PARTS LIST		
Part #	Description	Qty	Part #	Description	Qty
20245	24" RH Front Con Box no light	1	20743	Butt Hinge with studs	4
21627	Trim Seal 24" RH Top	1	21602	M6 Nylock Nut	16
21628	Trim Seal 24" Bottom	1	14815	Ball Stud 10mm x 1/2"	4
20338	Vector T-Handle	2	90253	5/16" Nut	4
20452	24" LH Top Door	1	14794	35l lb Gas Spring	2
20235	24" Bottom Door	1			



20290 24" Left Hand Front Con Box 12" Deep (with Light)

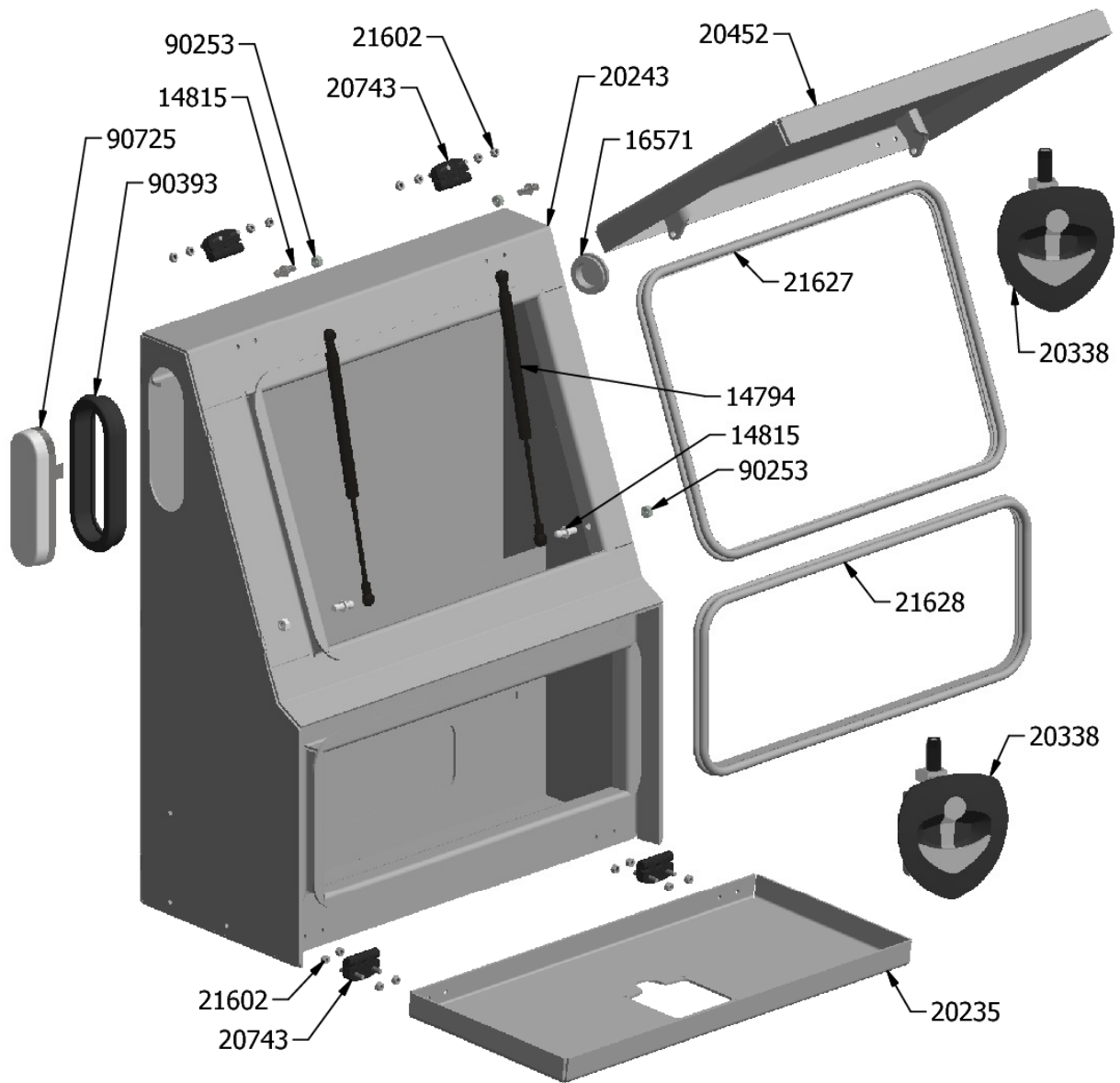


PARTS LIST			PARTS LIST		
Part #	Description	Qty	Part #	Description	Qty
20244	24" LH Front Con Box no light	1	20743	Butt Hinge with studs	4
21626	Trim Seal 24" LH Top	1	21602	M6 Nylock Nut	16
21628	Trim Seal 24" Bottom	1	14815	Ball Stud 10mm x 1/2"	4
20338	Vector T-Handle	2	90253	5/16" Nut	4
20399	24" LH Top Door	1	14794	35l lb Gas Spring	2
20235	24" Bottom Door	1	90725	Clear LED Light	1
90393	Oval Grommet	1	16571	wire Harness Grommet	1



20291

24" Right Hand Front Con Box 12" Deep (with Light)



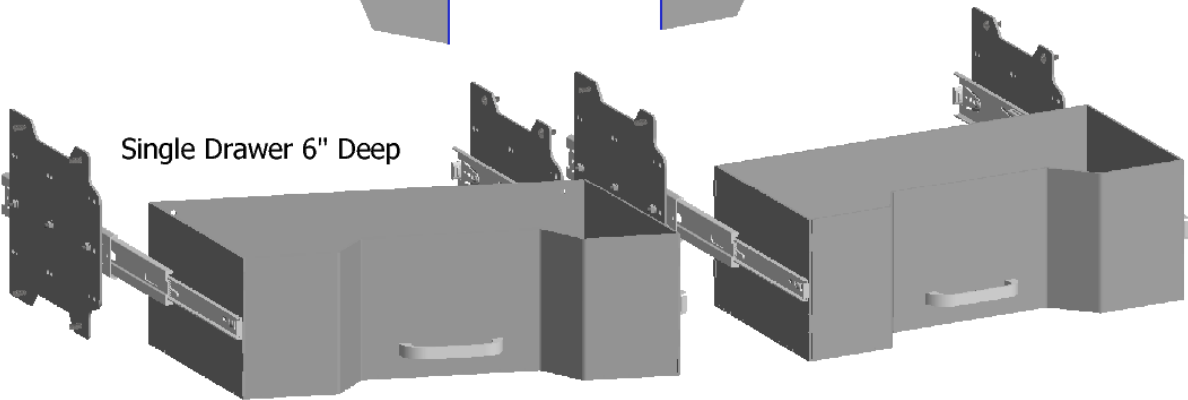
PARTS LIST			PARTS LIST		
Part #	Description	Qty	Part #	Description	Qty
20243	24" RH Front Con Box no light	1	20743	Butt Hinge with studs	4
21627	Trim Seal 24" RH Top	1	21602	M6 Nylock Nut	16
21628	Trim Seal 24" Bottom	1	14815	Ball Stud 10mm x 1/2"	4
20338	Vector T-Handle	2	90253	5/16" Nut	4
20399	24" LH Top Door	1	14794	35l lb Gas Spring	2
20235	24" Bottom Door	1	90725	Clear LED Light	1
90393	Oval Grommet	1	16571	Wire Harness Grommet	1



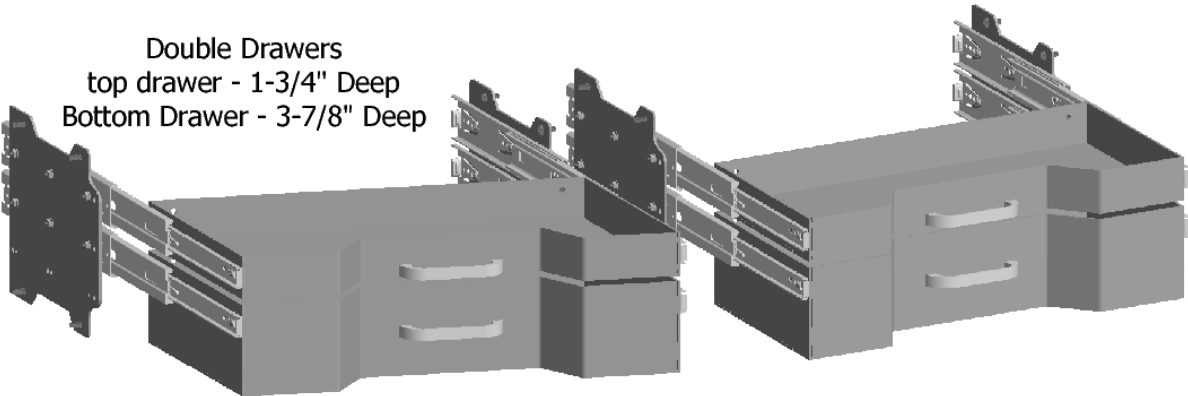
15" Toolboxes all have mounting brackets for drawers same mounting plate is used for all 3 setups

LH Drawers
24" Boxes are angled

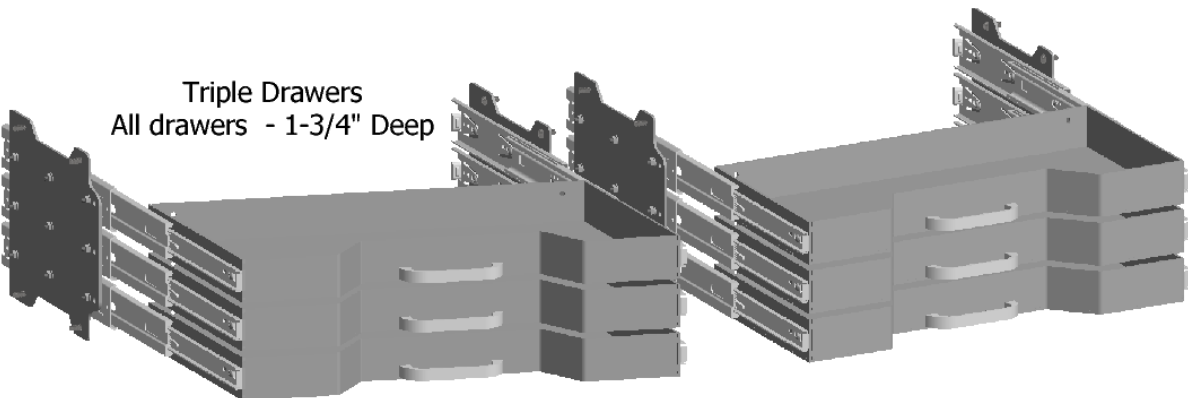
RH Drawers
24" Boxes are angled

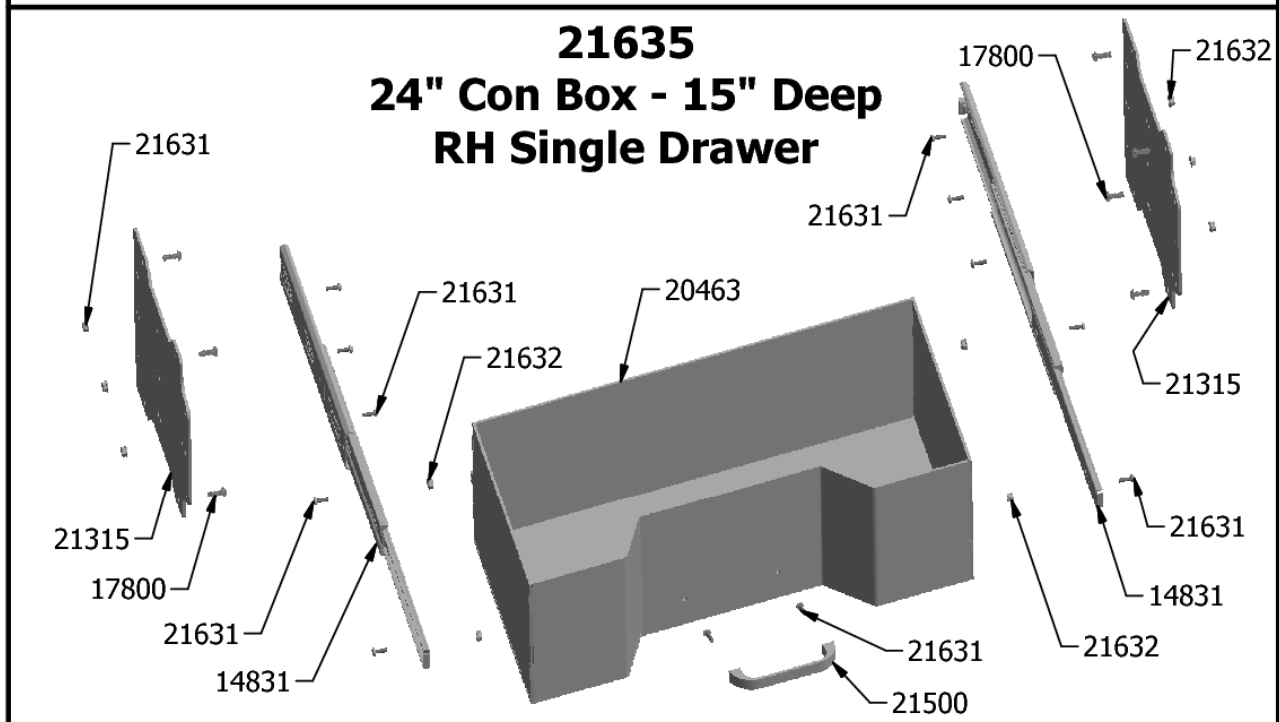
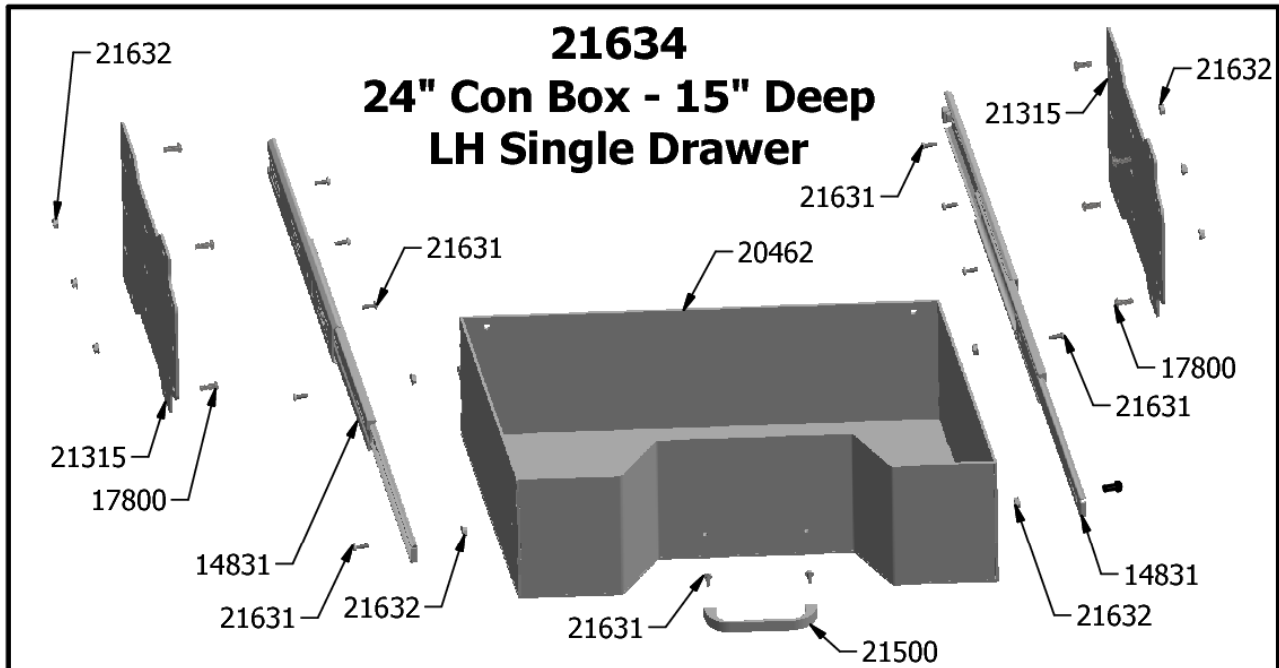


Double Drawers
top drawer - 1-3/4" Deep
Bottom Drawer - 3-7/8" Deep



Triple Drawers
All drawers - 1-3/4" Deep

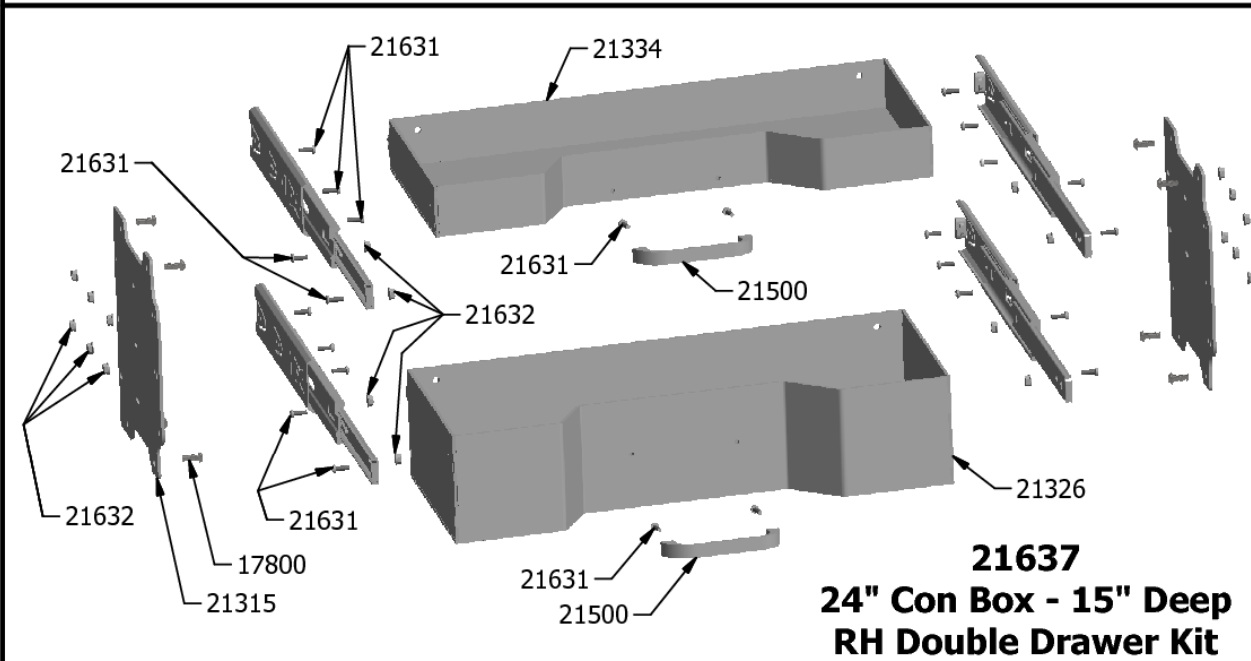
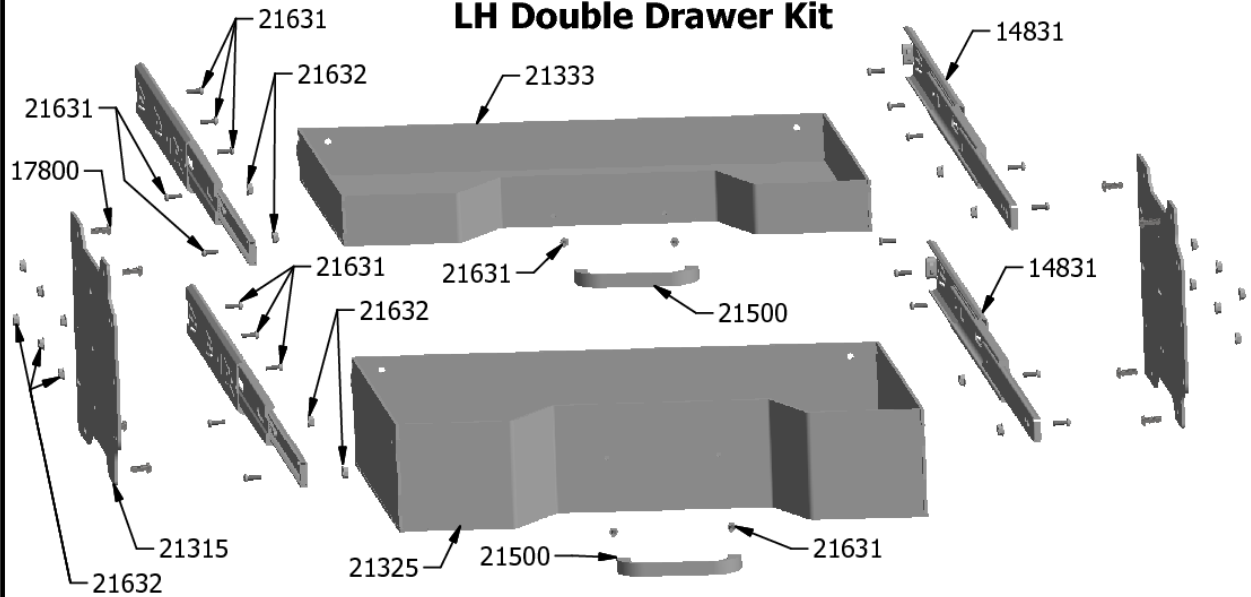




21634 PARTS LIST			21635 PARTS LIST		
Part #	Description	Qty	Part #	Description	Qty
20462	24" LH Single Drawer	1	20463	24" RH Single Drawer	1
14831	12" Drawer Slide	2	14831	12" Drawer Slide	2
21315	Drawer Mount Plate	2	21315	Drawer Mount Plate	2
17800	1/4" x 5/8" Button Head	8	17800	1/4" x 5/8" Button Head	8
21631	8-32 x 1/2" Bolt	12	21631	8-32 x 1/2" Bolt	12
21632	8-32 Flange Lock Nut	10	21632	8-32 Flange Lock Nut	10
21500	Pull Handle	1	21500	Pull Handle	1

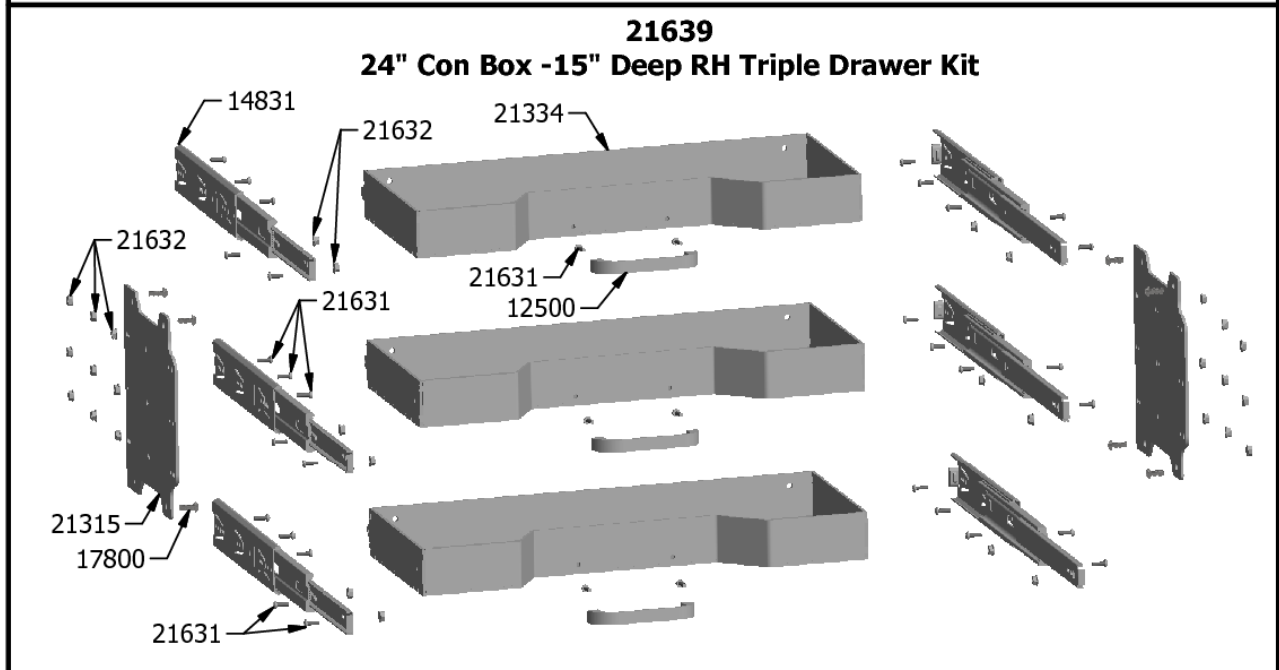
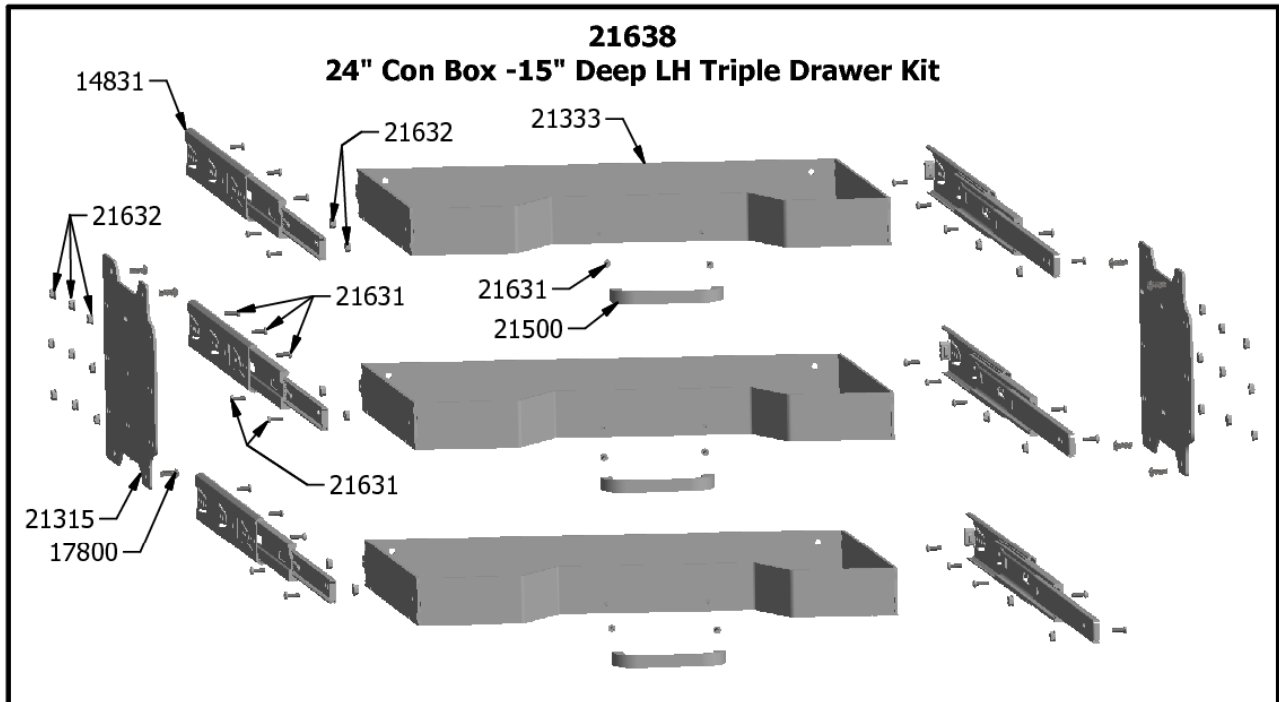


21636
24" Con Box - 15" Deep
LH Double Drawer Kit



21637
24" Con Box - 15" Deep
RH Double Drawer Kit

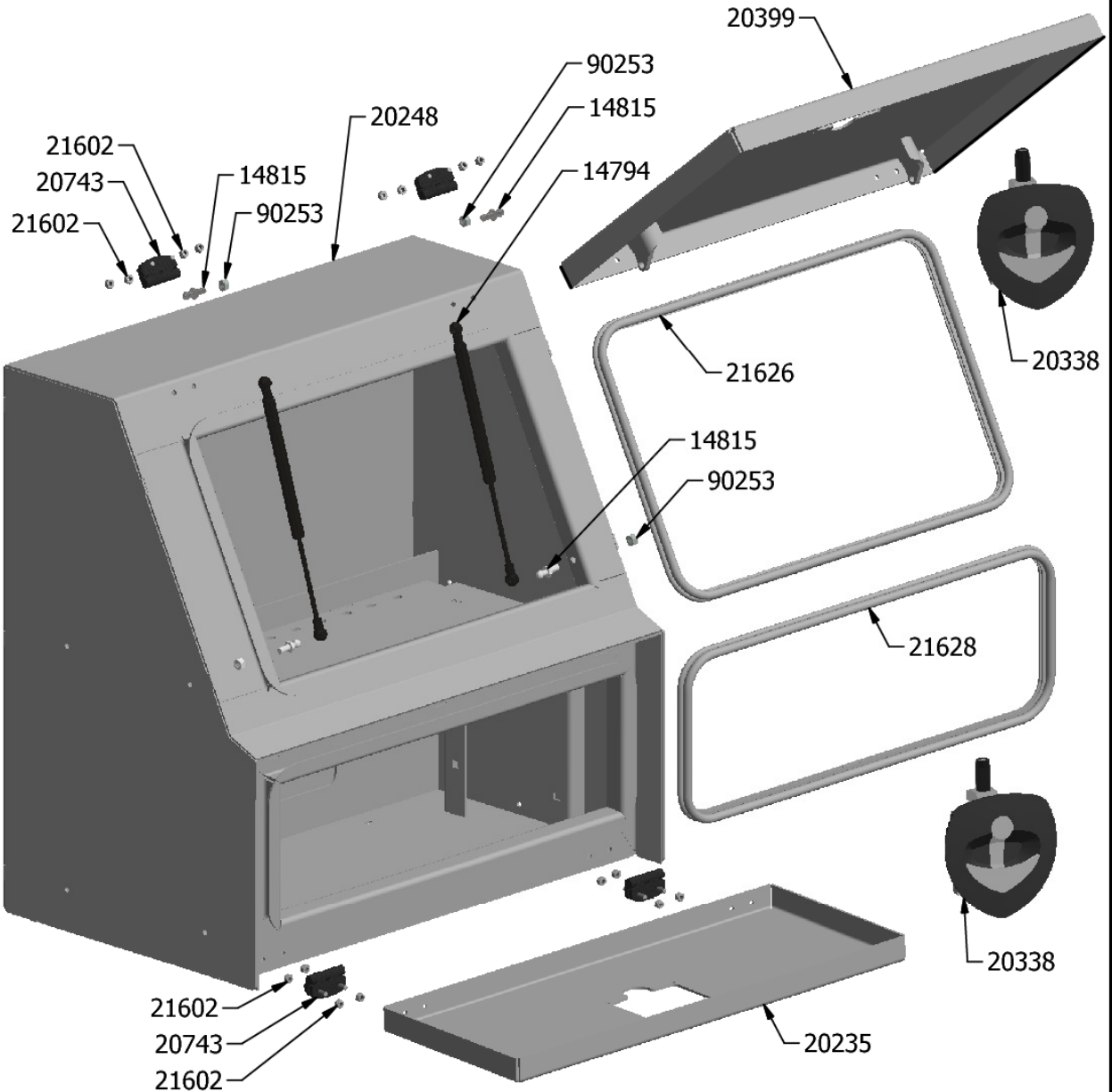
21636 PARTS LIST			21637 PARTS LIST		
Part #	Description	Qty	Part #	Description	Qty
21333	24" LH Triple Drawer	1	21334	24" RH Triple Drawer	1
21325	24" LH Double Drawer	1	21326	24" RH Double Drawer	1
14831	12" Drawer Slide	4	14831	12" Drawer Slide	4
21315	Drawer Mount Plate	2	21315	Drawer Mount Plate	2
17800	1/4" x 5/8" Button Head	8	17800	1/4" x 5/8" Button Head	8
21631	8-32 x 1/2" Bolt	24	21631	8-32 x 1/2" Bolt	24
21632	8-32 Flange Lock Nut	20	21632	8-32 Flange Lock Nut	20
21500	Pull Handle	2	21500	Pull Handle	2



21638 LH PARTS LIST			21639 RH PARTS LIST		
Part #	Description	Qty	Part #	Description	Qty
21333	24" LH Triple Drawer	3	21333	24" LH Triple Drawer	1
14831	12" Drawer Slide	6	14831	12" Drawer Slide	6
21315	Drawer Mount Plate	2	21315	Drawer Mount Plate	2
17800	1/4" x 5/8" Button Head	8	17800	1/4" x 5/8" Button Head	8
21631	8-32 x 1/2" Bolt	36	21631	8-32 x 1/2" Bolt	36
21632	8-32 Flange Lock Nut	30	21632	8-32 Flange Lock Nut	30
21500	Pull Handle	3	21500	Pull Handle	3



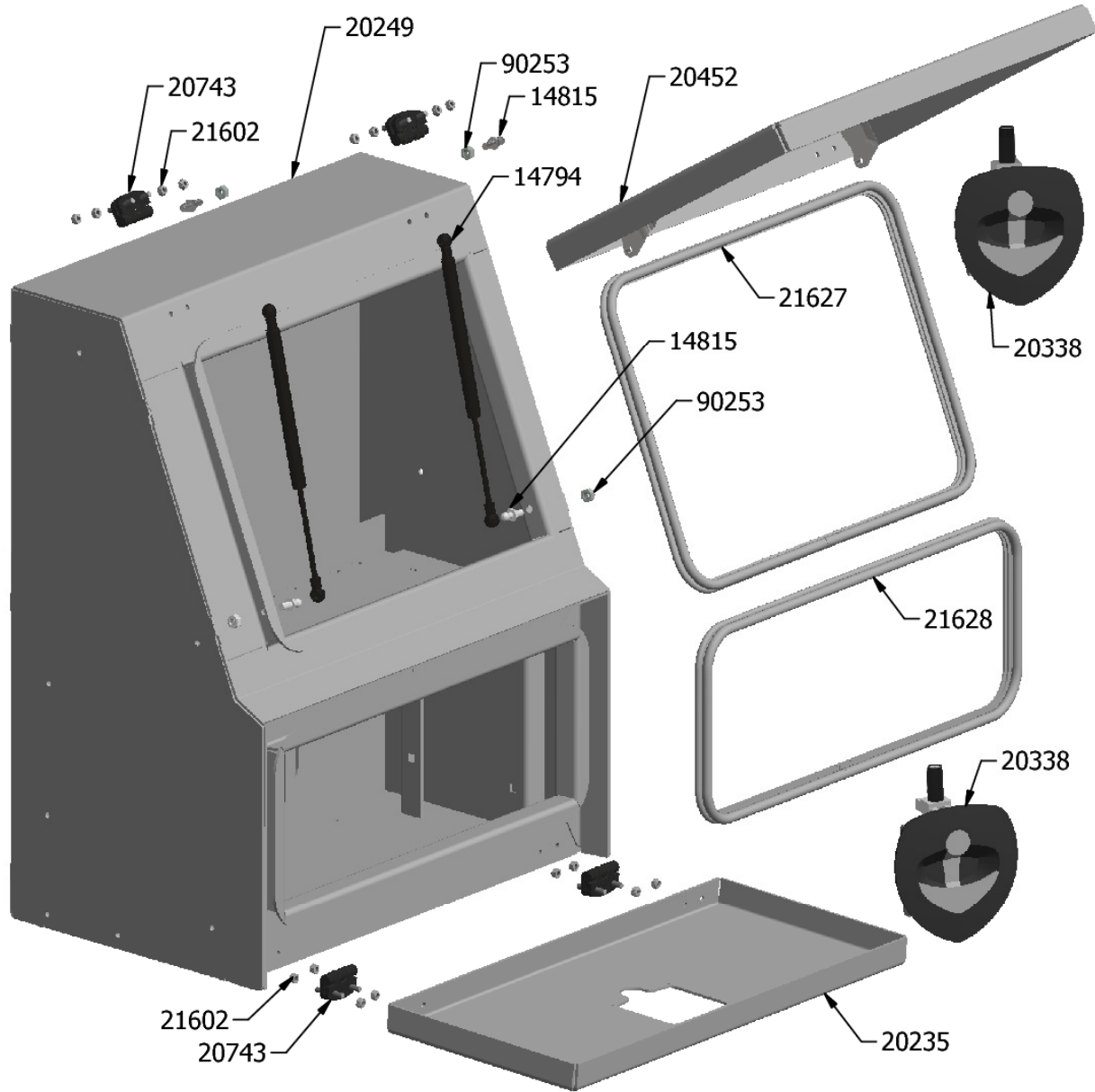
20296 24" Left Hand Front Con Box 15" Deep (no Light)



PARTS LIST			PARTS LIST		
Part #	Description	Qty	Part #	Description	Qty
20248	24" LH Front Con Box no light	1	20743	Butt Hinge with studs	4
21626	Trim Seal 24" LH Top	1	21602	M6 Nylock Nut	16
21628	Trim Seal 24" Bottom	1	14815	Ball Stud 10mm x 1/2"	4
20338	Vector T-Handle	2	90253	5/16" Nut	4
20399	24" LH Top Door	1	14794	35l lb Gas Spring	2
20235	24" Bottom Door	1			



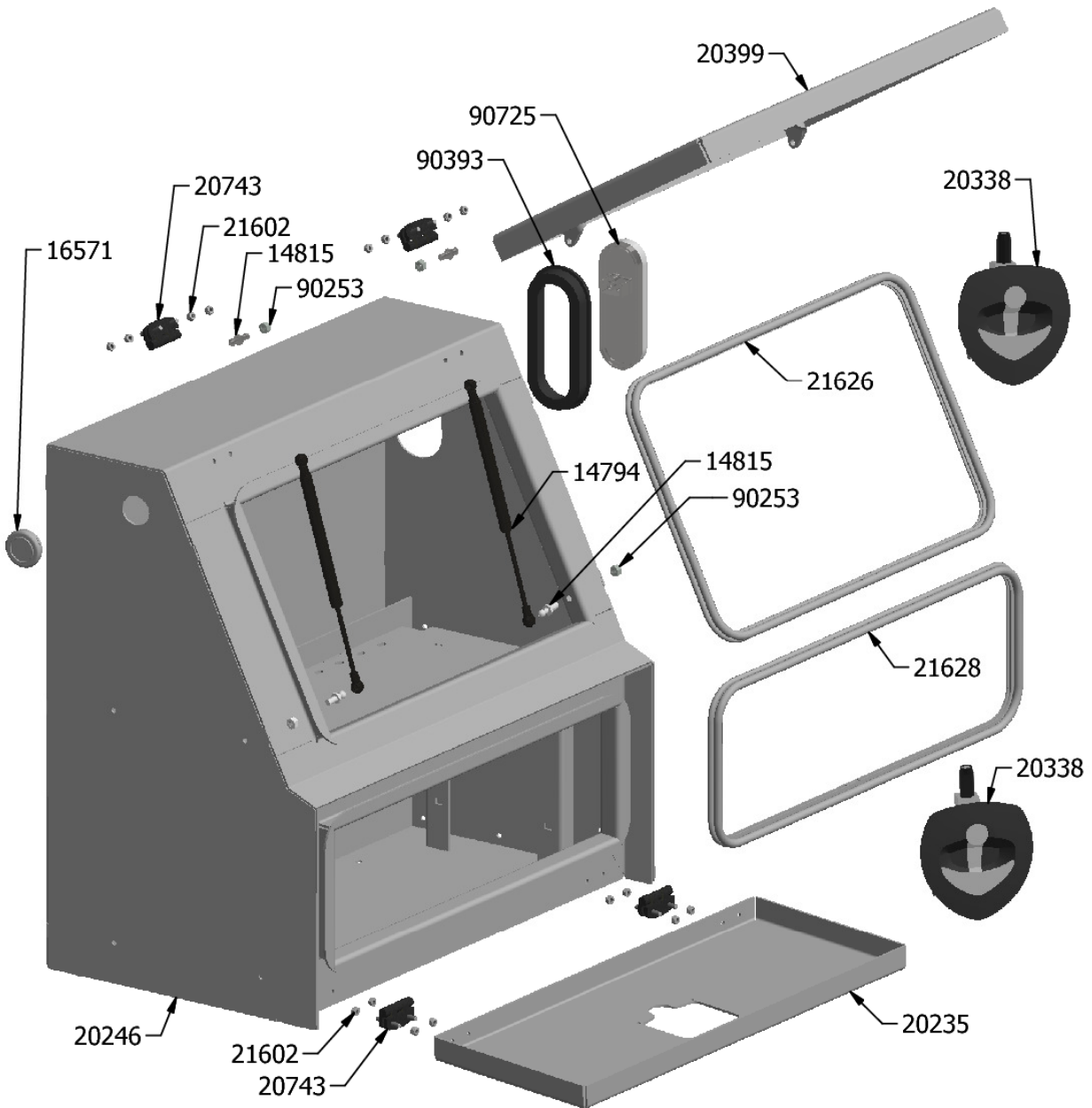
20297 24" Right Hand Front Con Box 15" Deep (no Light)



PARTS LIST			PARTS LIST		
Part #	Description	Qty	Part #	Description	Qty
20249	24" RH Front Con Box no light	1	20743	Butt Hinge with studs	4
21627	Trim Seal 24" RH Top	1	21602	M6 Nylock Nut	16
21628	Trim Seal 24" Bottom	1	14815	Ball Stud 10mm x 1/2"	4
20338	Vector T-Handle	2	90253	5/16" Nut	4
20452	24" RH Top Door	1	14794	35l lb Gas Spring	2
20235	24" Bottom Door	1			



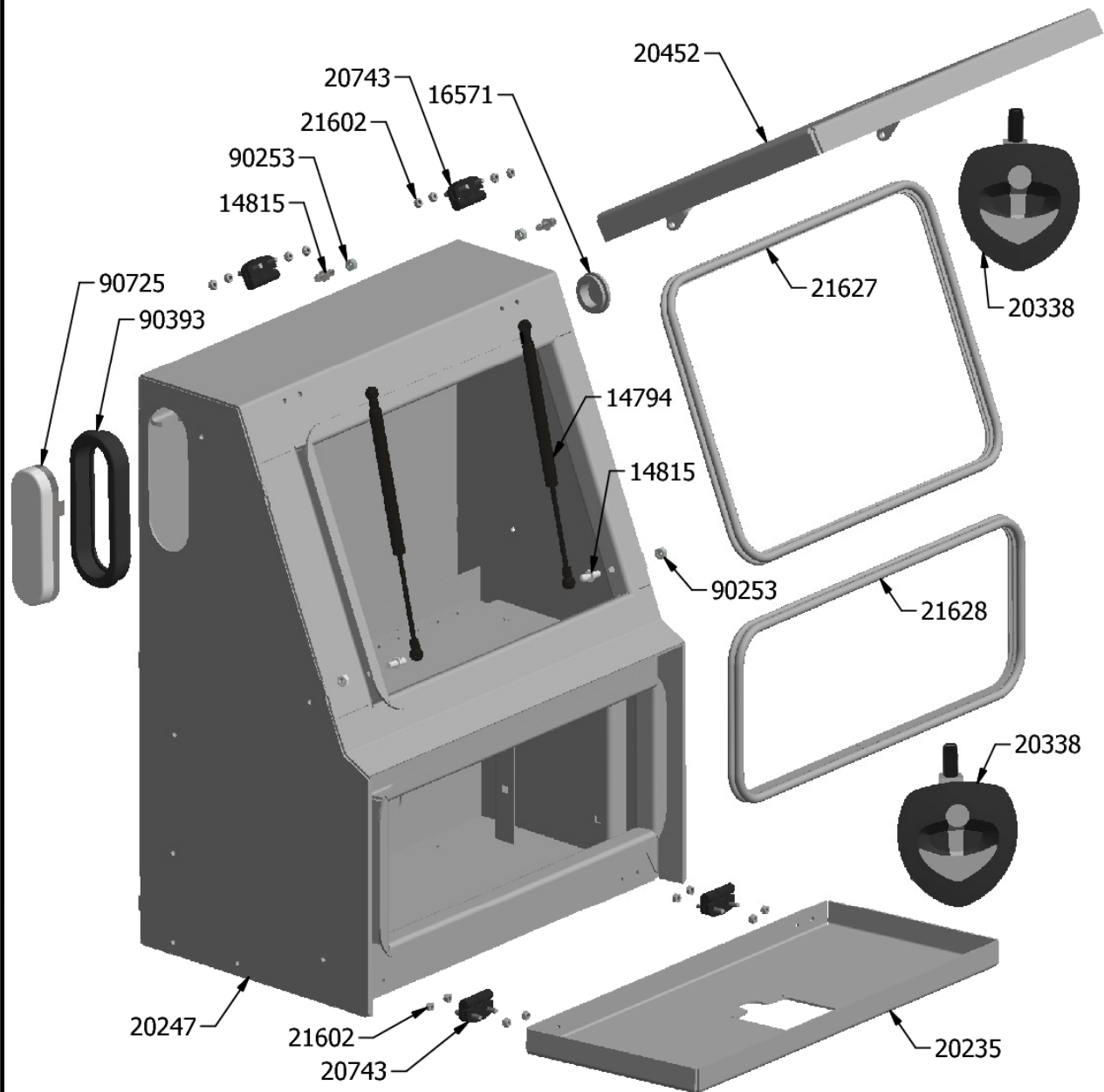
20294 24" Left Hand Front Con Box 15" Deep (with Light)



PARTS LIST			PARTS LIST		
Part #	Description	Qty	Part #	Description	Qty
20246	24" LH Front Con Box with light	1	20743	Butt Hinge with studs	4
21626	Trim Seal 24" LH Top	1	21602	M6 Nylock Nut	16
21628	Trim Seal 24" Bottom	1	14815	Ball Stud 10mm x 1/2"	4
20338	Vector T-Handle	2	90253	5/16" Nut	4
20399	24" LH Top Door	1	14794	35l lb Gas Spring	2
20235	24" Bottom Door	1	90725	Clear LED Light	1
90393	Oval Grommet	1	16571	wire Harness Grommet	1



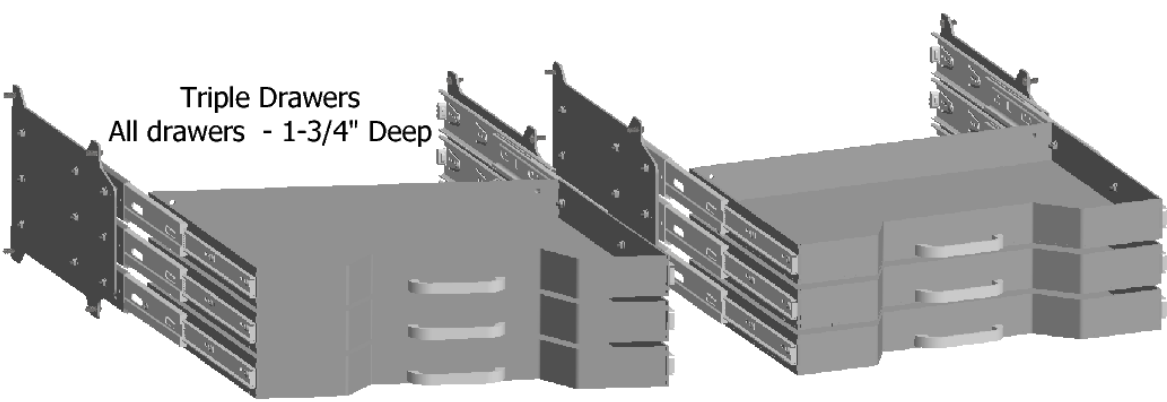
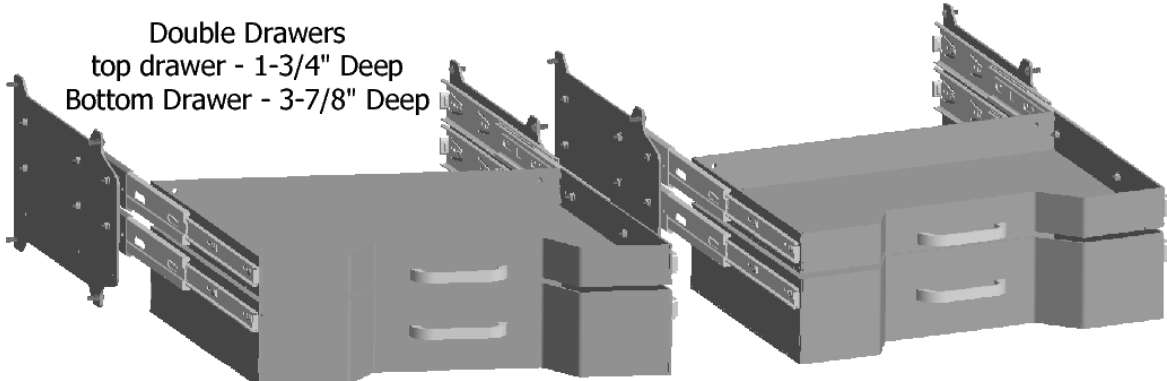
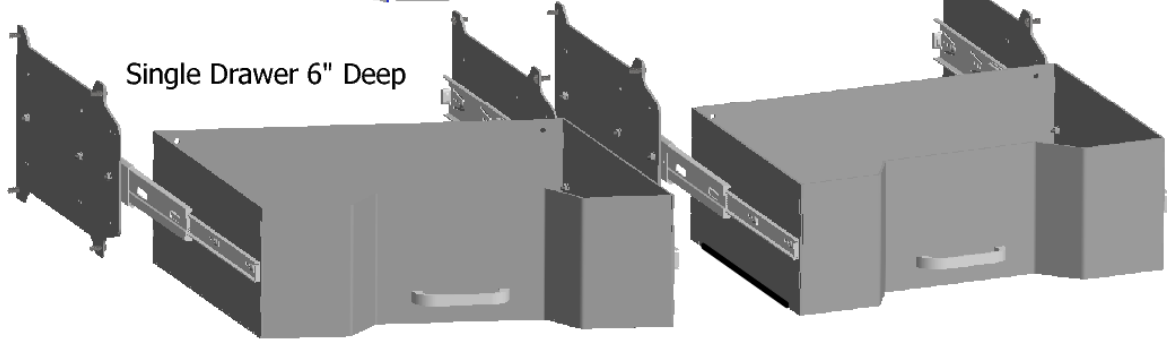
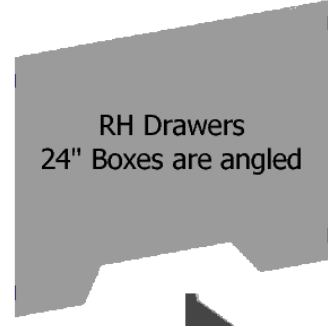
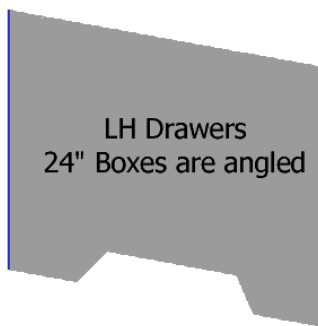
20295 24" Right Hand Front Con Box 15" Deep (with Light)

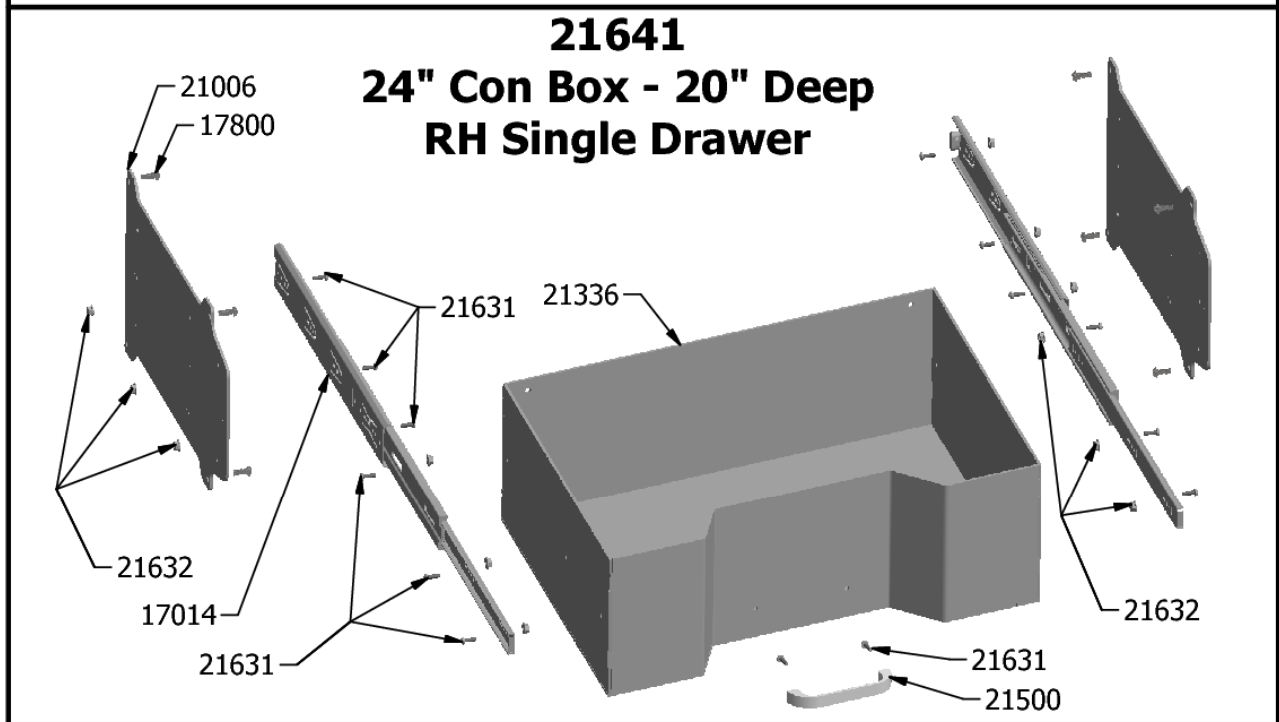
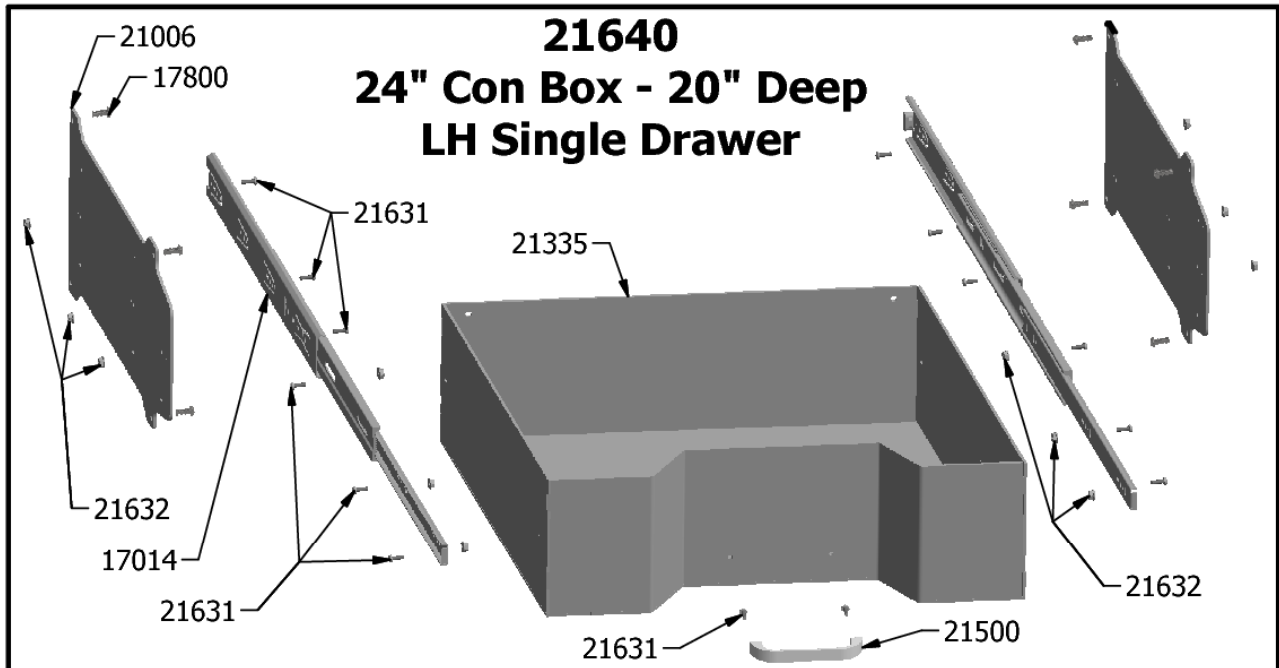


PARTS LIST			PARTS LIST		
Part #	Description	Qty	Part #	Description	Qty
20247	24" RH Front Con Box with light	1	20743	Butt Hinge with studs	4
21627	Trim Seal 24" RH Top	1	21602	M6 Nylock Nut	16
21628	Trim Seal 24" Bottom	1	14815	Ball Stud 10mm x 1/2"	4
20338	Vector T-Handle	2	90253	5/16" Nut	4
20452	24" RH Top Door	1	14794	35lb Gas Spring	2
20235	24" Bottom Door	1	90725	Clear LED Light	1
90393	Oval Grommet	1	16571	wire Harness Grommet	1

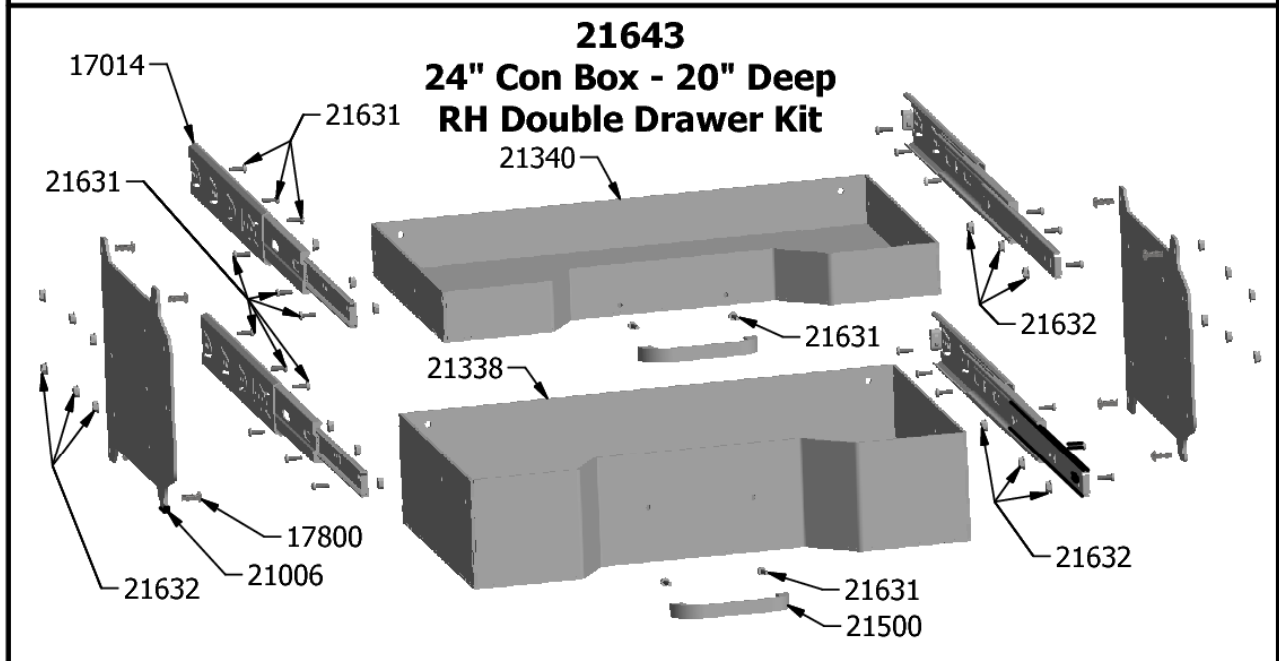
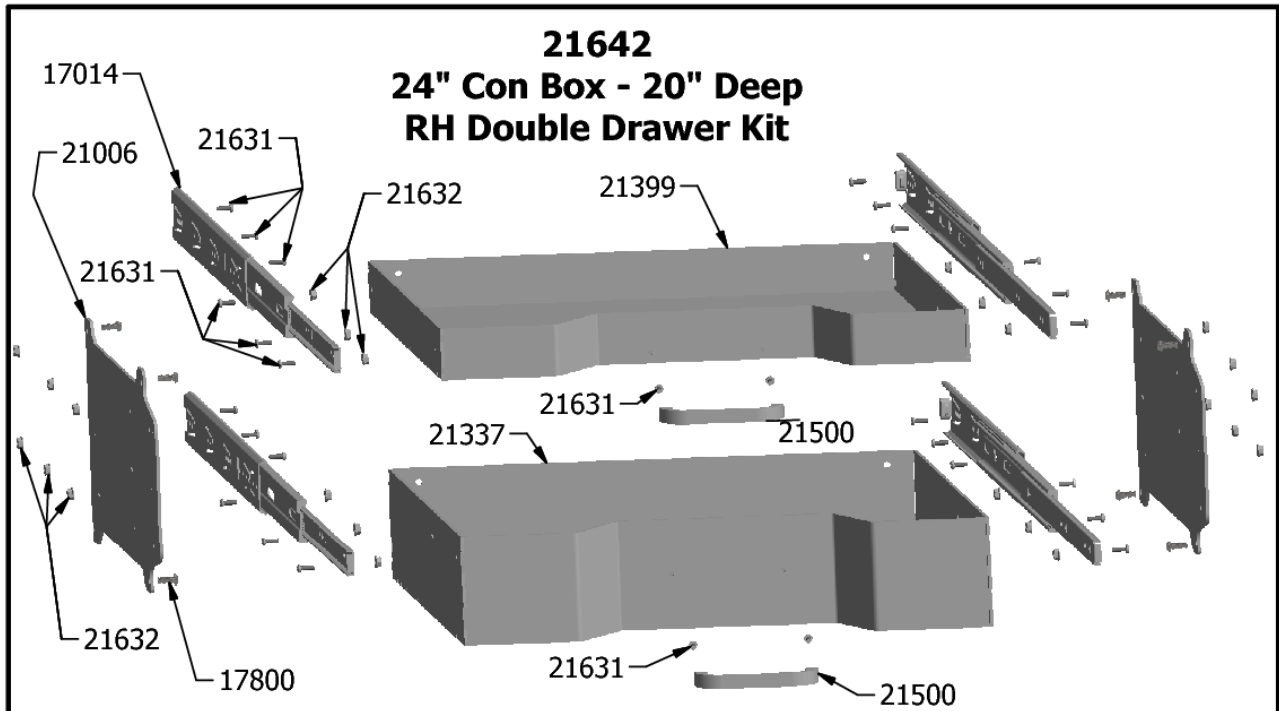


20" Toolboxes all have mounting brackets for drawers same mounting plate is used for all 3 setups

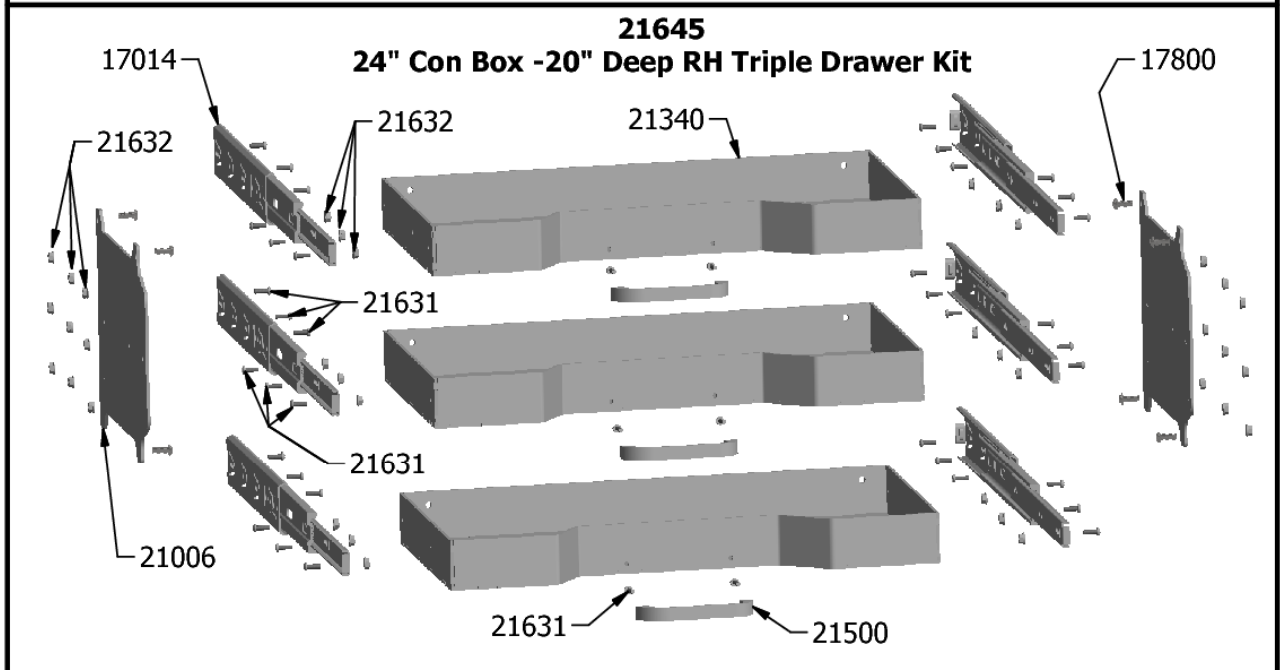
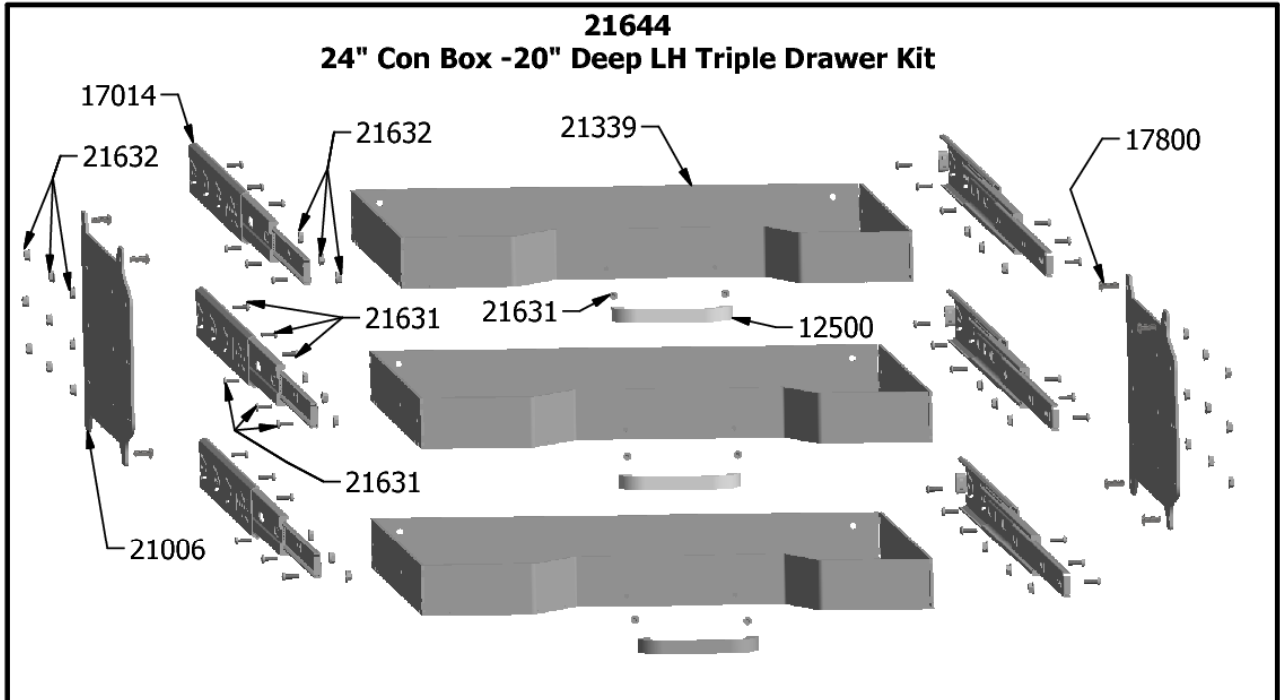




21640 PARTS LIST			21641 PARTS LIST		
Part #	Description	Qty	Part #	Description	Qty
20462	24" LH Single Drawer	1	21336	24" RH Single Drawer	1
17014	16" Drawer Slide	2	17014	16" Drawer Slide	2
21006	Drawer Mount Plate	2	21006	Drawer Mount Plate	2
17800	1/4" x 5/8" Button Head	8	17800	1/4" x 5/8" Button Head	8
21631	8-32 x 1/2" Bolt	14	21631	8-32 x 1/2" Bolt	14
21632	8-32 Flange Lock Nut	12	21632	8-32 Flange Lock Nut	12
21500	Pull Handle	1	21500	Pull Handle	1



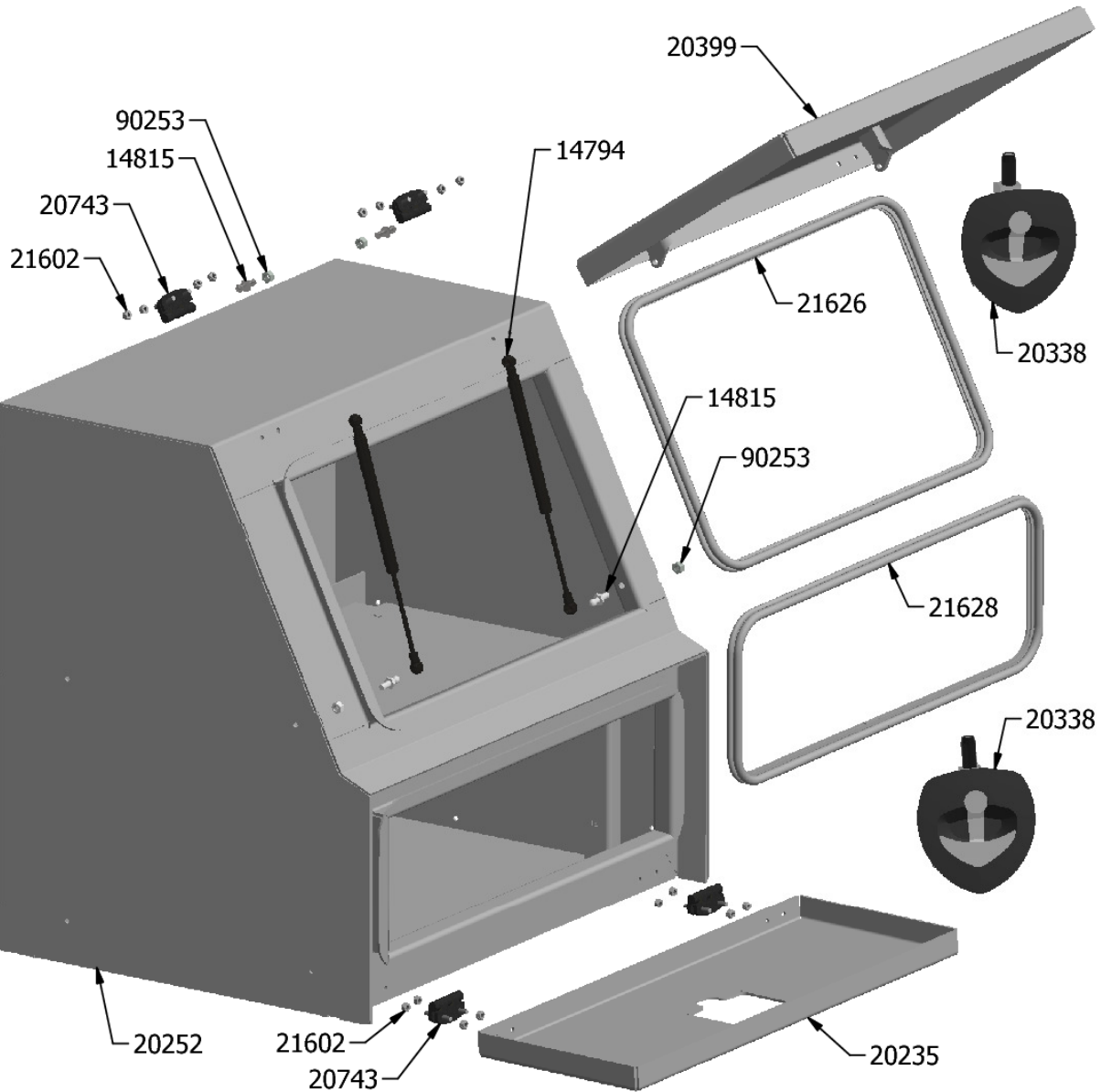
21642 PARTS LIST			21643 PARTS LIST		
Part #	Description	Qty	Part #	Description	Qty
21399	24" LH Triple Drawer	1	21340	24" RH Triple Drawer	1
21337	24" LH Double Drawer	1	21338	24" RH Double Drawer	1
17014	16" Drawer Slide	4	17014	16" Drawer Slide	4
21006	Drawer Mount Plate	2	21006	Drawer Mount Plate	2
17800	1/4" x 5/8" Button Head	8	17800	1/4" x 5/8" Button Head	8
21631	8-32 x 1/2" Bolt	28	21631	8-32 x 1/2" Bolt	28
21632	8-32 Flange Lock Nut	24	21632	8-32 Flange Lock Nut	24
21500	Pull Handle	2	21500	Pull Handle	2



21644 LH PARTS LIST			21645 RH PARTS LIST		
Part #	Description	Qty	Part #	Description	Qty
21339	24" LH Triple Drawer	3	21340	24" LH Triple Drawer	1
17014	16" Drawer Slide	6	17014	16" Drawer Slide	6
21006	Drawer Mount Plate	2	21006	Drawer Mount Plate	2
17800	1/4" x 5/8" Button Head	8	17800	1/4" x 5/8" Button Head	8
21631	8-32 x 1/2" Bolt	42	21631	8-32 x 1/2" Bolt	42
21632	8-32 Flange Lock Nut	36	21632	8-32 Flange Lock Nut	36
21500	Pull Handle	3	21500	Pull Handle	3



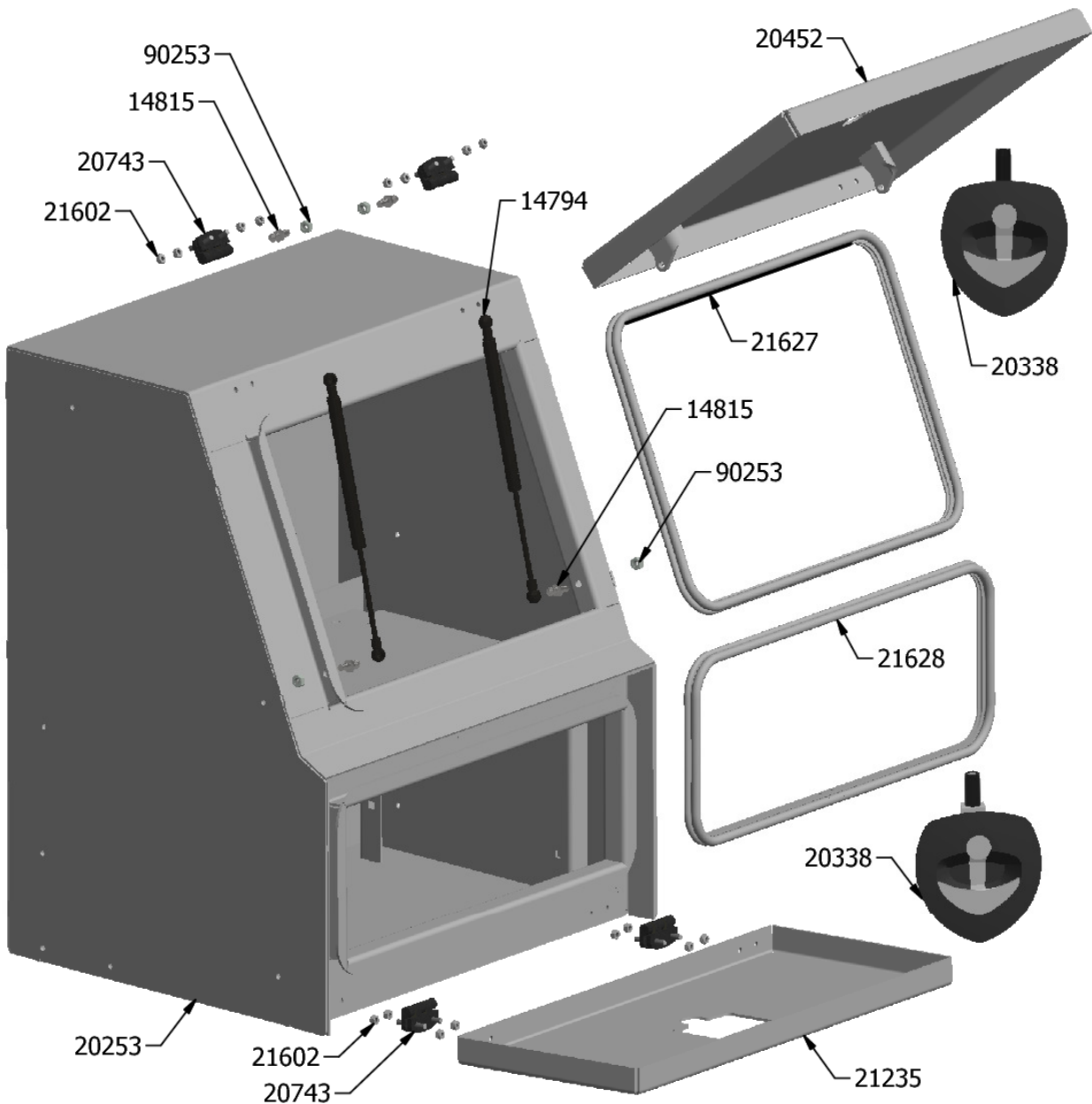
20300 24" Left Hand Front Con Box 20" Deep (no Light)



PARTS LIST			PARTS LIST		
Part #	Description	Qty	Part #	Description	Qty
20252	24" LH Front Con Box no light	1	20743	Butt Hinge with studs	4
21626	Trim Seal 24" LH Top	1	21602	M6 Nylock Nut	16
21628	Trim Seal 24" Bottom	1	14815	Ball Stud 10mm x 1/2"	4
20338	Vector T-Handle	2	90253	5/16" Nut	4
20399	24" LH Top Door	1	14794	35l lb Gas Spring	2
20235	24" Bottom Door	1			



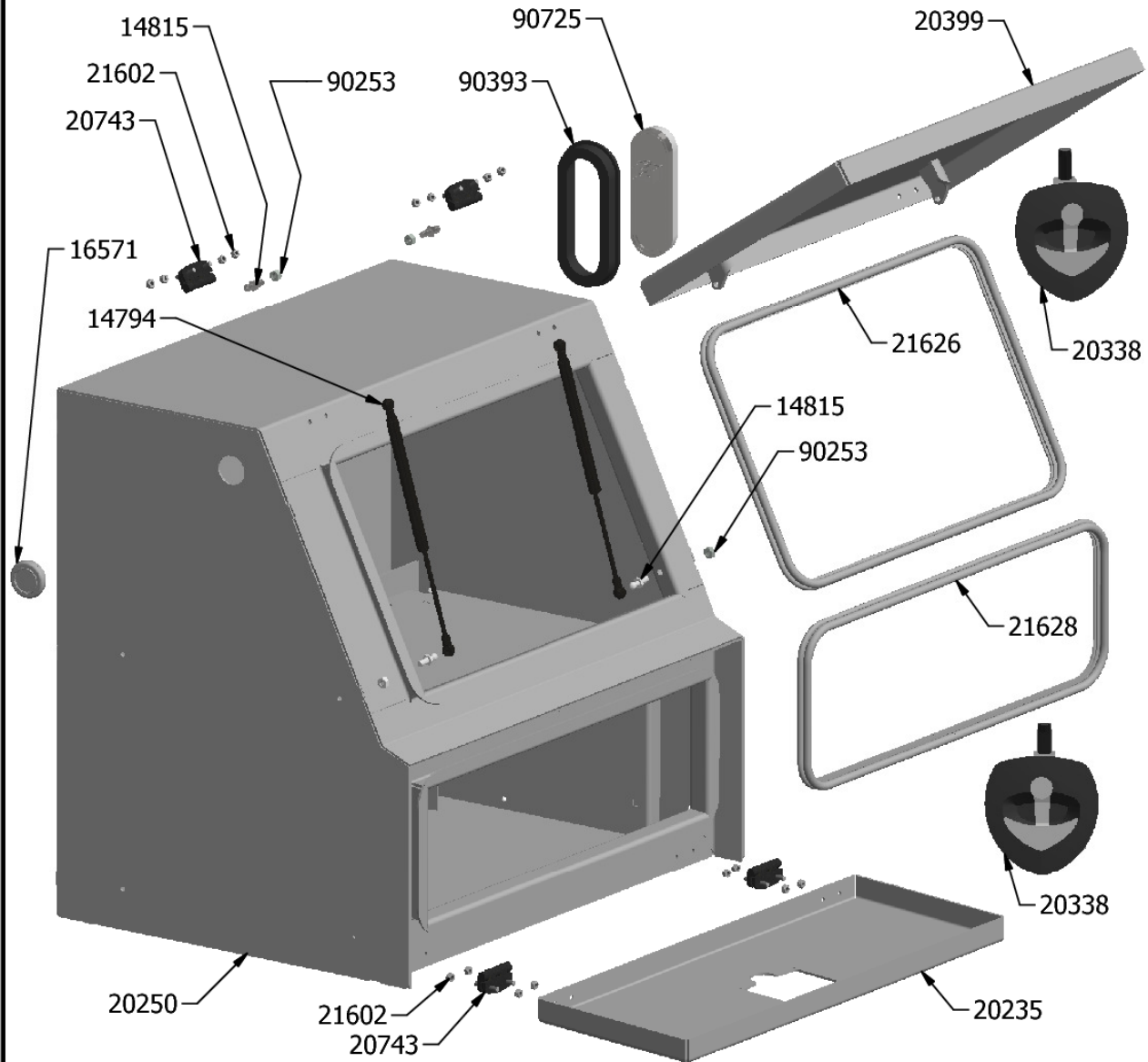
20301 24" Right Hand Front Con Box 20" Deep (no Light)



PARTS LIST			PARTS LIST		
Part #	Description	Qty	Part #	Description	Qty
20253	24" RH Front Con Box no light	1	20743	Butt Hinge with studs	4
21627	Trim Seal 24" RH Top	1	21602	M6 Nylock Nut	16
21628	Trim Seal 24" Bottom	1	14815	Ball Stud 10mm x 1/2"	4
20338	Vector T-Handle	2	90253	5/16" Nut	4
20452	24" RH Top Door	1	14794	35l lb Gas Spring	2
20235	24" Bottom Door	1			



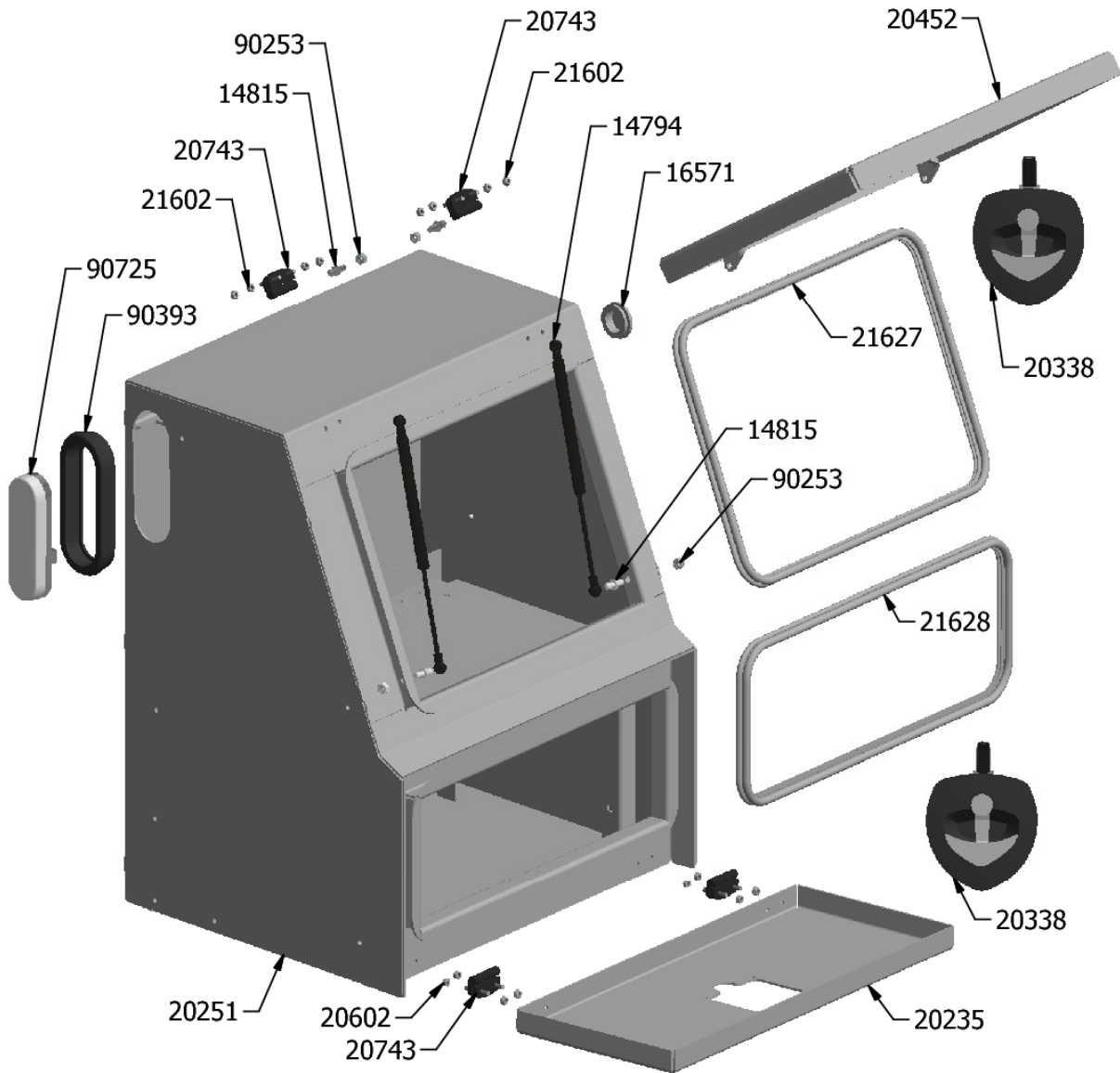
20298 24" Left Hand Front Con Box 20" Deep (with Light)



PARTS LIST			PARTS LIST		
Part #	Description	Qty	Part #	Description	Qty
20250	24" LH Front Con Box with light	1	20743	Butt Hinge with studs	4
21626	Trim Seal 24" LH Top	1	21602	M6 Nylock Nut	16
21628	Trim Seal 24" Bottom	1	14815	Ball Stud 10mm x 1/2"	4
20338	Vector T-Handle	2	90253	5/16" Nut	4
20399	24" LH Top Door	1	14794	35l lb Gas Spring	2
20235	24" Bottom Door	1	90725	Clear LED Light	1
90393	Oval Grommet	1	16571	wire Harness Grommet	1



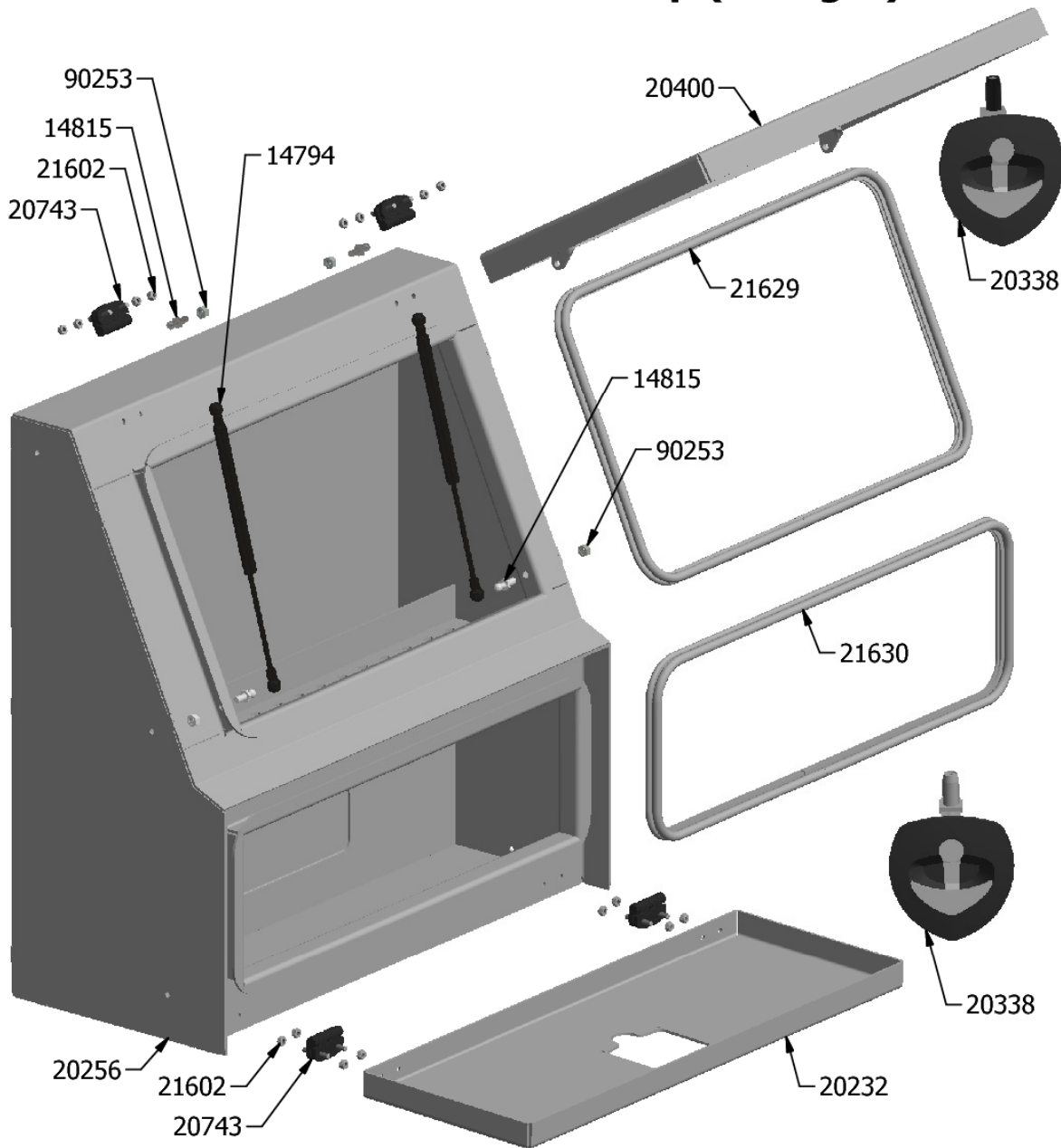
20299 24" Right Hand Front Con Box 20" Deep (with Light)



PARTS LIST			PARTS LIST		
Part #	Description	Qty	Part #	Description	Qty
20251	24" RH Front Con Box with light	1	20743	Butt Hinge with studs	4
21627	Trim Seal 24" RH Top	1	21602	M6 Nylock Nut	16
21628	Trim Seal 24" Bottom	1	14815	Ball Stud 10mm x 1/2"	4
20338	Vector T-Handle	2	90253	5/16" Nut	4
20452	24" RH Top Door	1	14794	35 lb Gas Spring	2
20235	24" Bottom Door	1	90725	Clear LED Light	1
90393	Oval Grommet	1	16571	wire Harness Grommet	1



20304 27" Front Con Box 12" Deep (no Light)

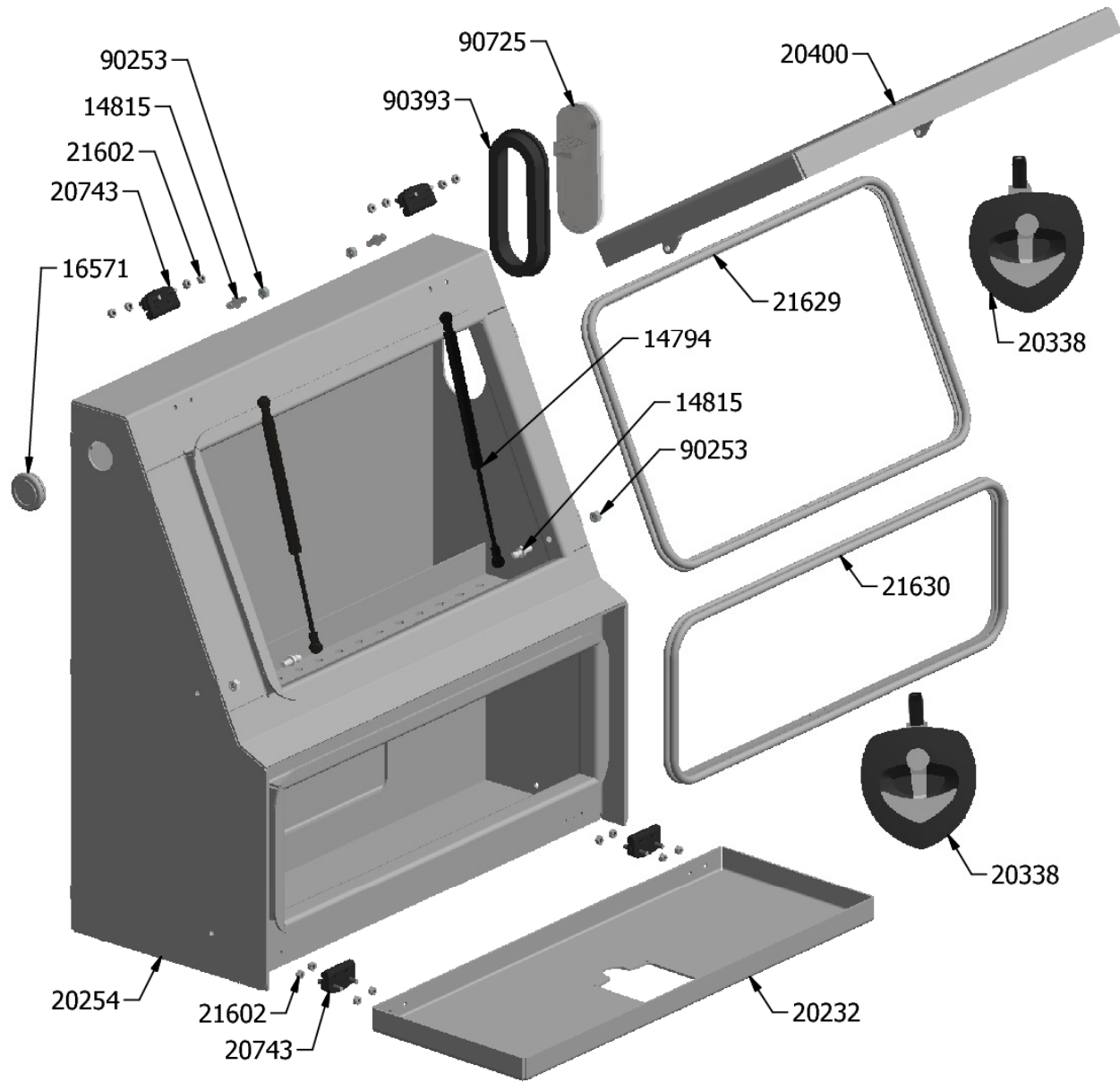


PARTS LIST			PARTS LIST		
Part #	Description	Qty	Part #	Description	Qty
20256	27" LH Front Con Box no light	1	20743	Butt Hinge with studs	4
21629	Trim Seal 27" LH Top	1	21602	M6 Nylock Nut	16
21630	Trim Seal 27" Bottom	1	14815	Ball Stud 10mm x 1/2"	4
20338	Vector T-Handle	2	90253	5/16" Nut	4
20400	27" LH Top Door	1	14794	35l lb Gas Spring	2
20232	27" Bottom Door	1			



20302

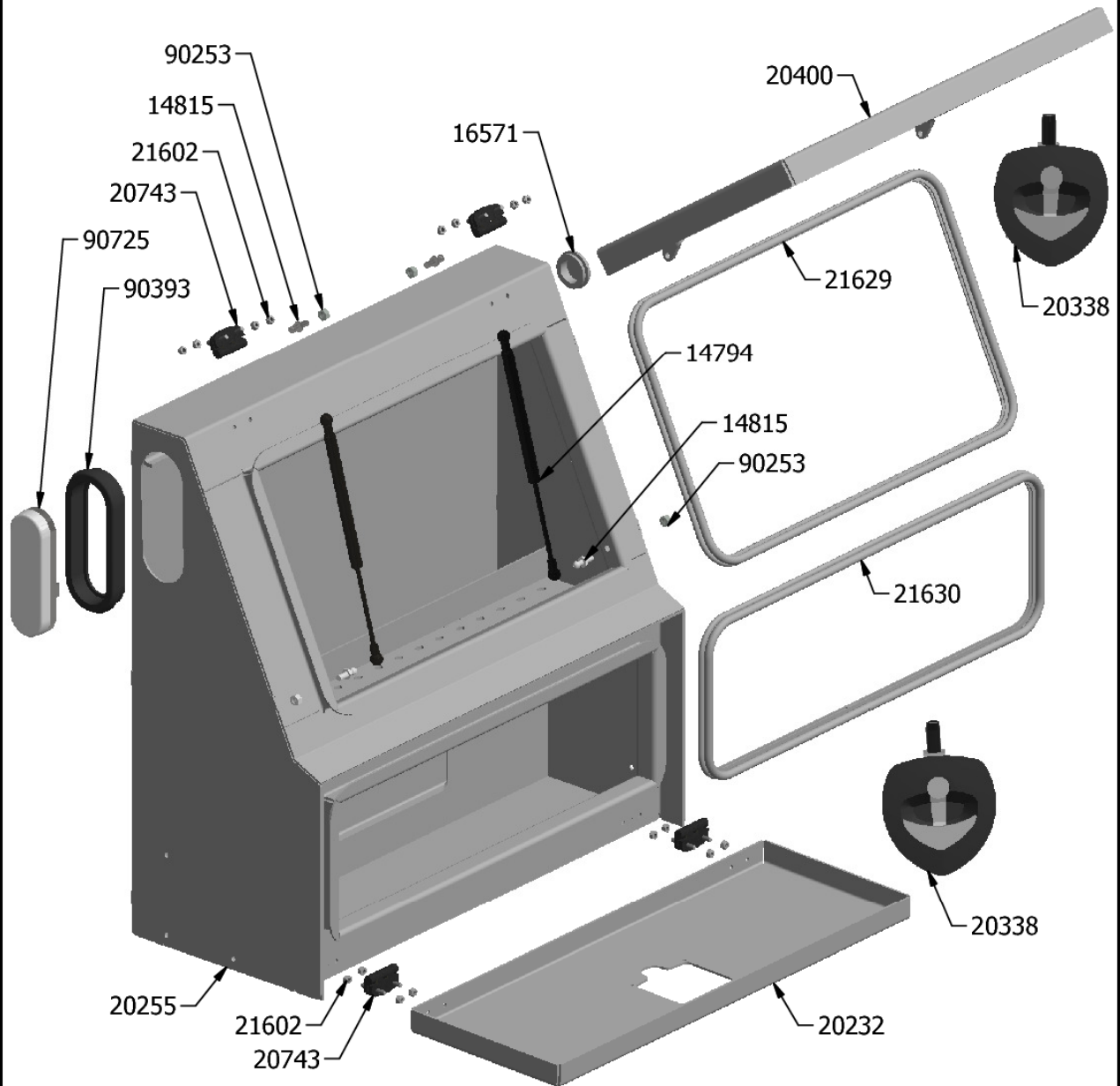
27" Left Hand Front Con Box 12" Deep (with Light)



PARTS LIST			PARTS LIST		
Part #	Description	Qty	Part #	Description	Qty
20254	27" LH Front Con Box with light	1	20743	Butt Hinge with studs	4
21629	Trim Seal 27" LH Top	1	21602	M6 Nylock Nut	16
21630	Trim Seal 27" Bottom	1	14815	Ball Stud 10mm x 1/2"	4
20338	Vector T-Handle	2	90253	5/16" Nut	4
20400	27" LH Top Door	1	14794	35l lb Gas Spring	2
20232	27" Bottom Door	1	90725	Clear LED Light	1
90393	Oval Grommet	1	16571	wire Harness Grommet	1



20303 27" Right Hand Front Con Box 12" Deep (with Light)



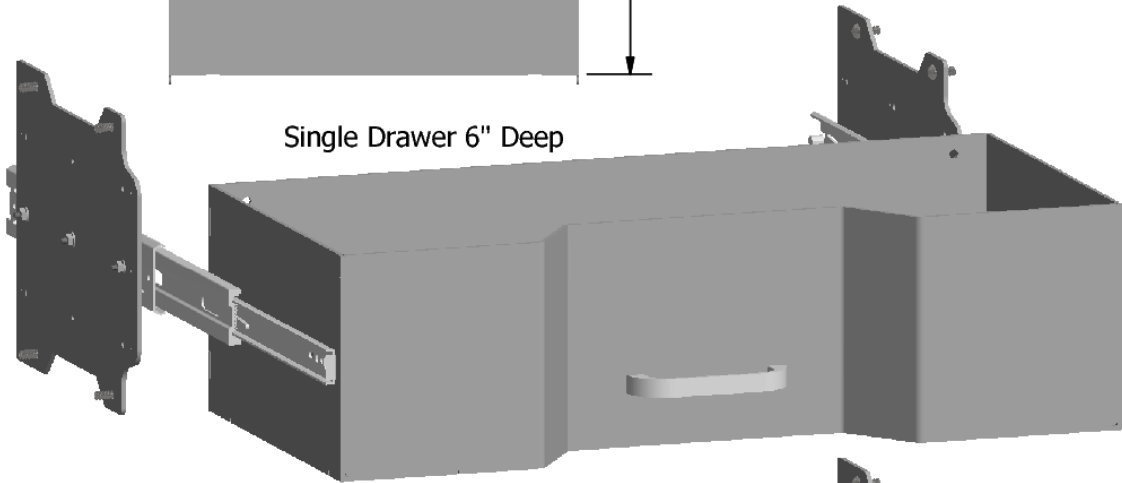
PARTS LIST			PARTS LIST		
Part #	Description	Qty	Part #	Description	Qty
20255	27" RH Front Con Box no light	1	20743	Butt Hinge with studs	4
21629	Trim Seal 27" RH Top	1	21602	M6 Nylock Nut	16
21630	Trim Seal 27" Bottom	1	14815	Ball Stud 10mm x 1/2"	4
20338	Vector T-Handle	2	90253	5/16" Nut	4
20400	27" LH Top Door	1	14794	35l lb Gas Spring	2
20232	27" Bottom Door	1	90725	Clear LED Light	1
90393	Oval Grommet	1	16571	Wire Harness Grommet	1



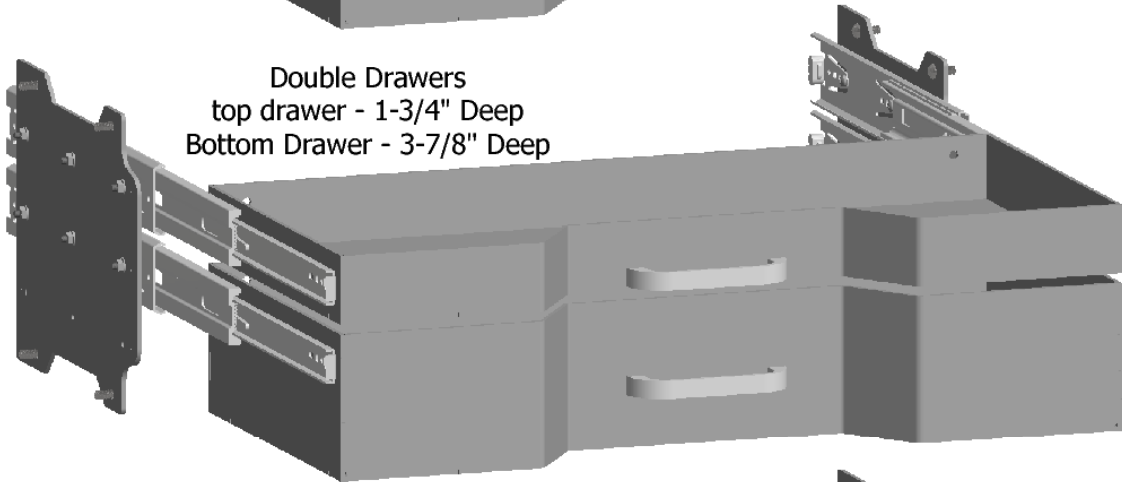
15" Toolboxes all have mounting brackets for drawers, the same mounting plate is used for all 3 setups



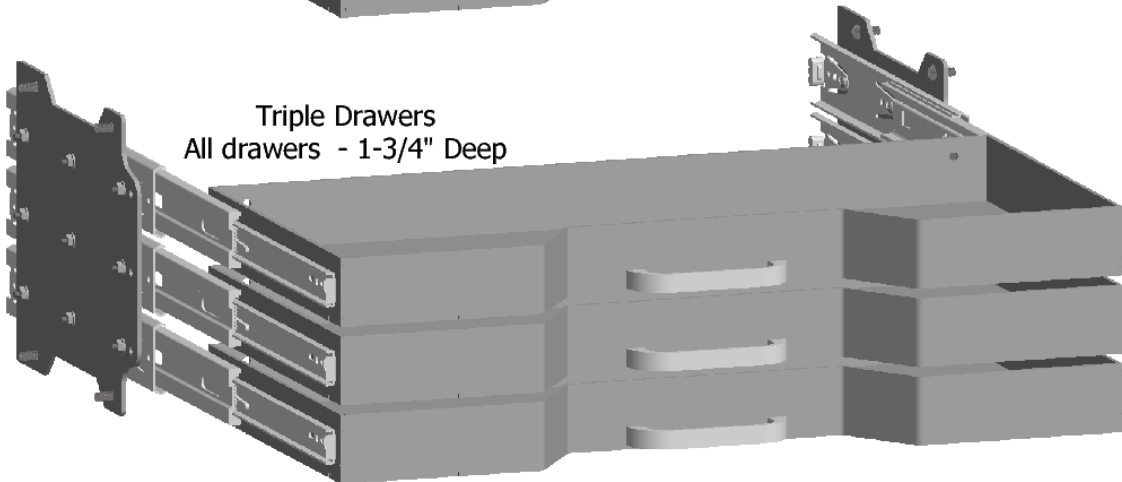
Single Drawer 6" Deep

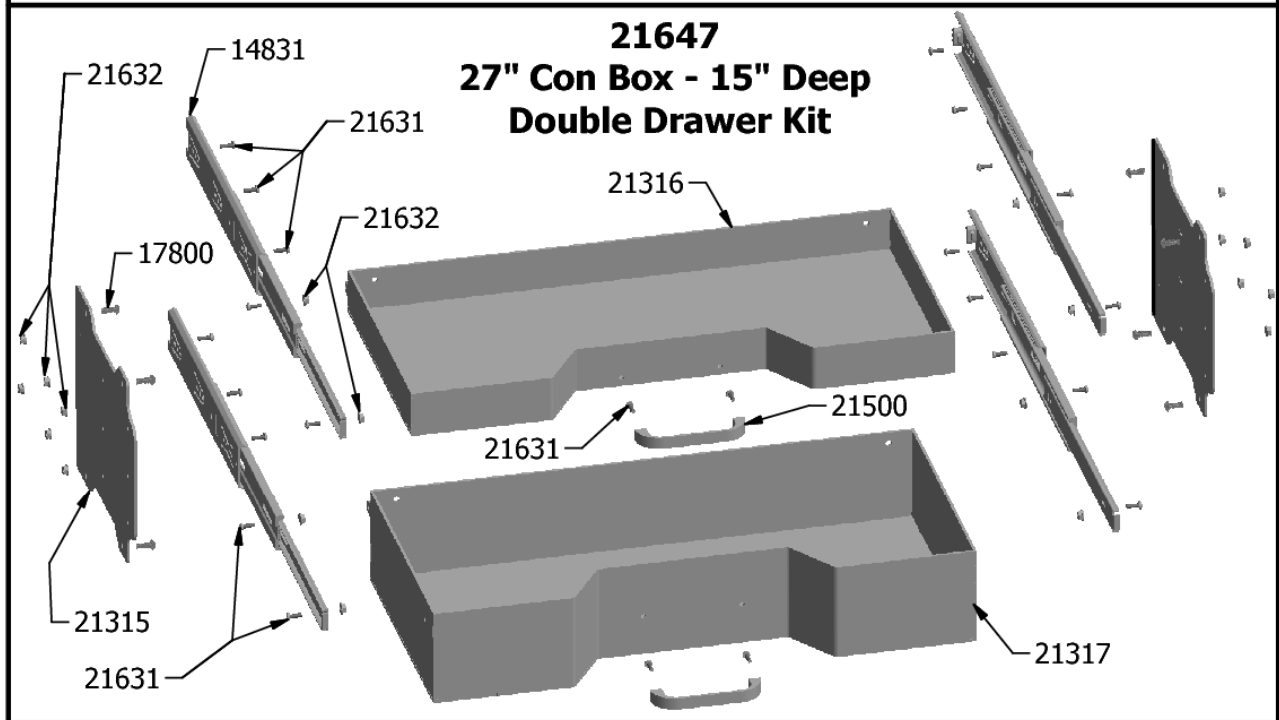
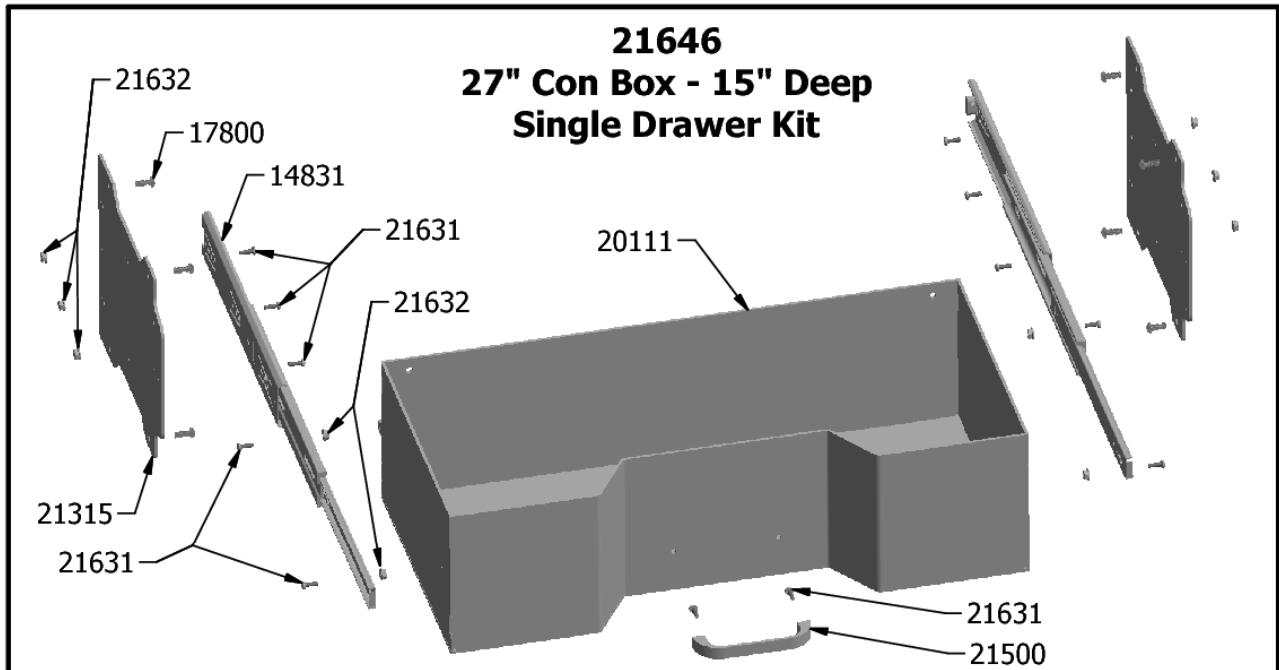


Double Drawers
top drawer - 1-3/4" Deep
Bottom Drawer - 3-7/8" Deep



Triple Drawers
All drawers - 1-3/4" Deep

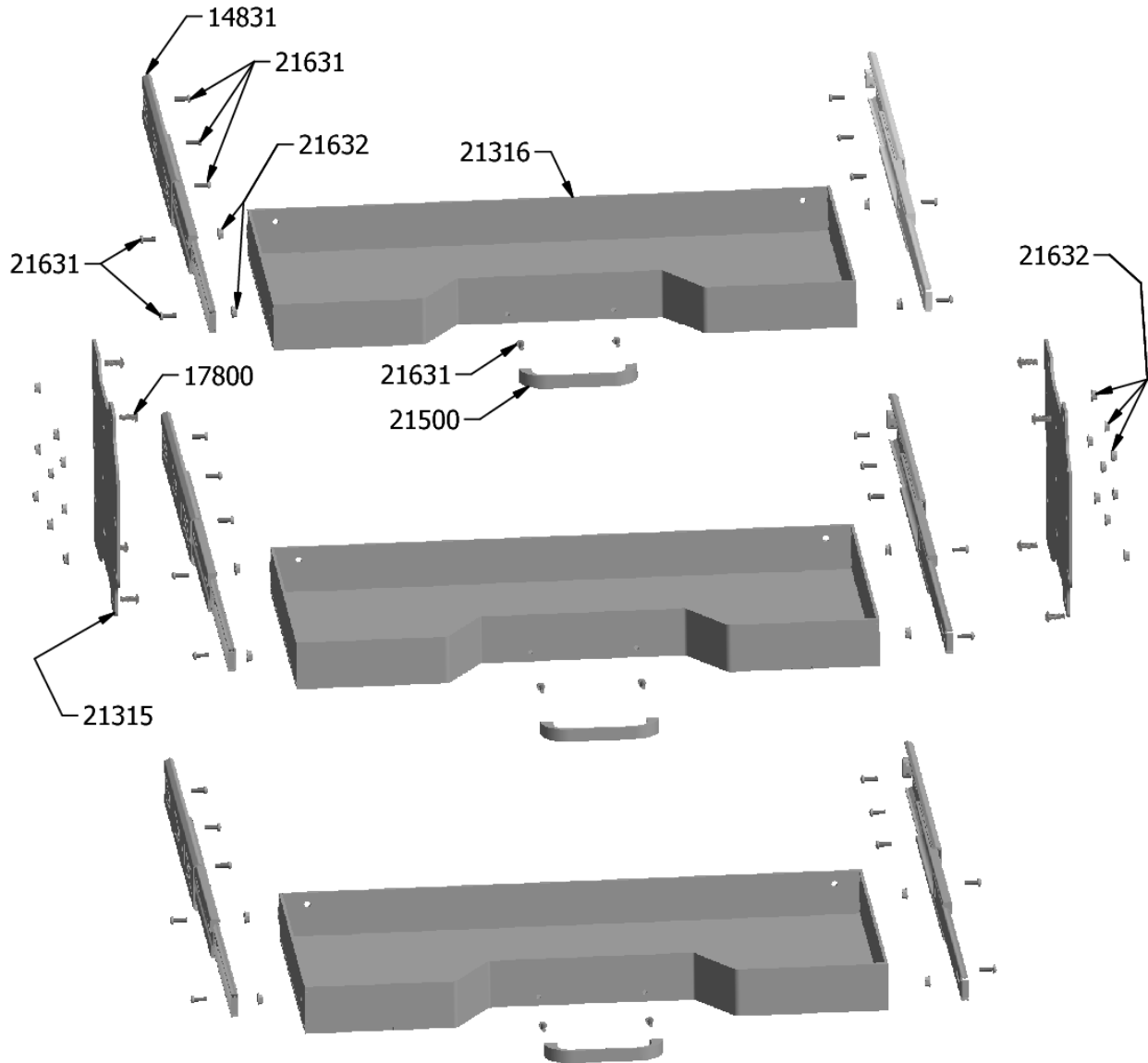




21646 PARTS LIST			21647 PARTS LIST		
Part #	Description	Qty	Part #	Description	Qty
20111	27" LH Single Drawer	1	21316	27" RH Triple Drawer	1
14831	12" Drawer Slide	2	21317	27" RH Double Drawer	1
21315	Drawer Mount Plate	2	17014	12" Drawer Slide	4
17800	1/4" x 5/8" Button Head	8	21006	Drawer Mount Plate	2
21631	8-32 x 1/2" Bolt	12	17800	1/4" x 5/8" Button Head	8
21632	8-32 Flange Lock Nut	10	21631	8-32 x 1/2" Bolt	24
21500	Pull Handle	1	21632	8-32 Flange Lock Nut	20
			21500	Pull Handle	2



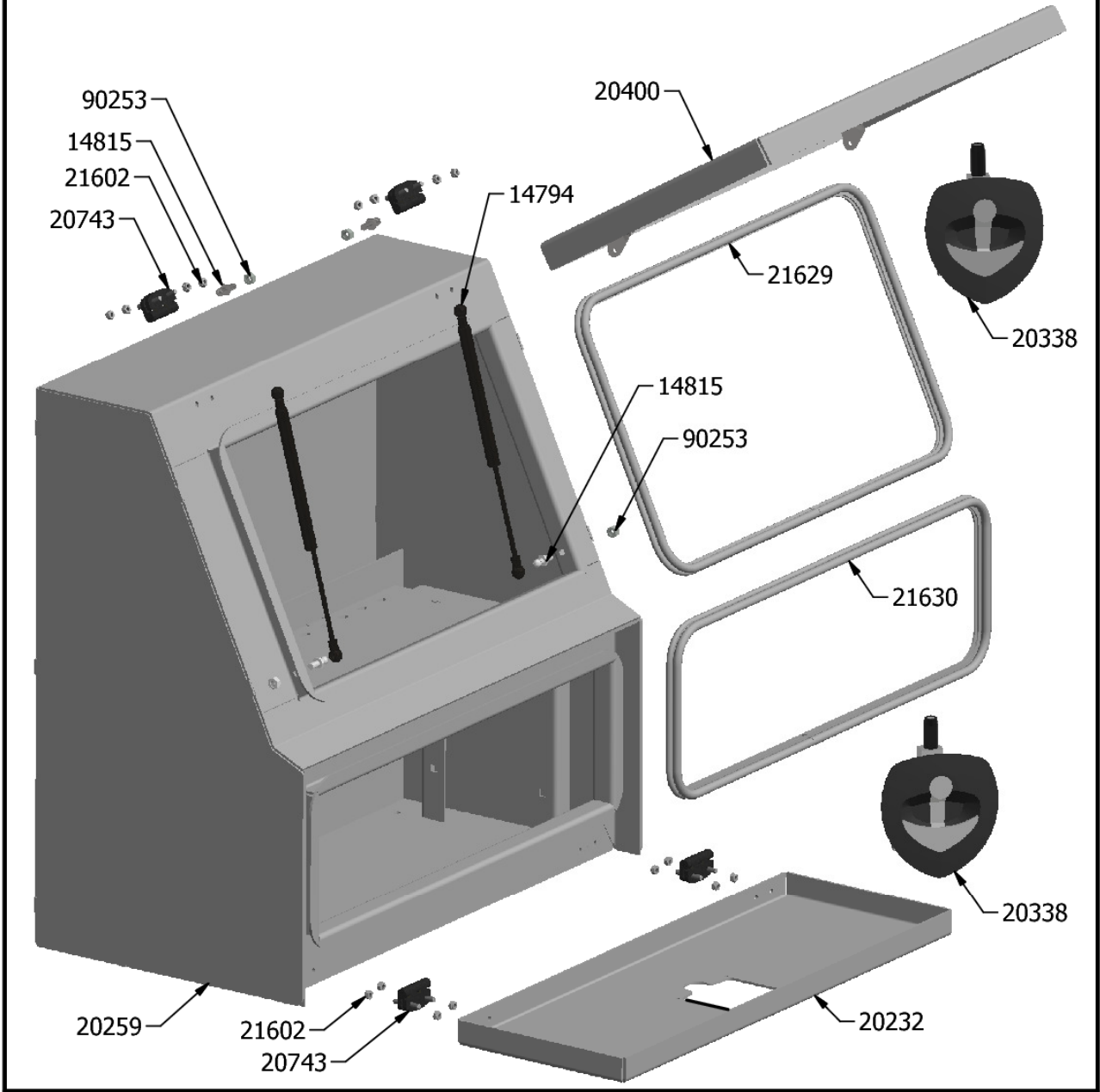
**21648
27" Con Box - 15" Deep
Triple Drawer Kit**



21648 PARTS LIST			21646 PARTS LIST		
Part #	Description	Qty	Part #	Description	Qty
21316	27" LH Single Drawer	3	21631	8-32 x 1/2" Bolt	36
14831	12" Drawer Slide	6	21632	8-32 Flange Lock Nut	30
21315	Drawer Mount Plate	2	21500	Pull Handle	3
17800	1/4" x 5/8" Button Head	8			



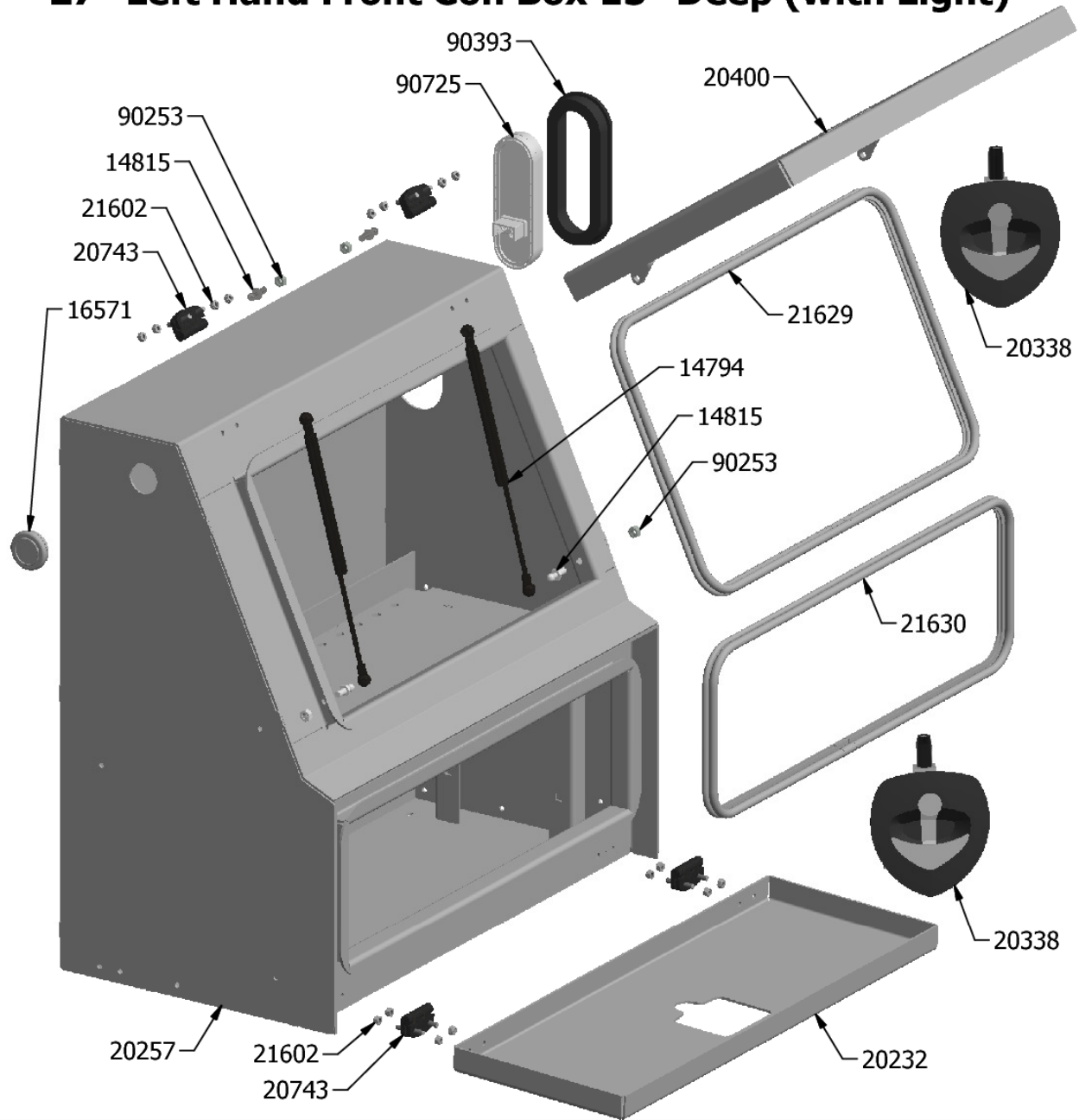
20307 27" Front Con Box 15" Deep (no Light)



PARTS LIST			PARTS LIST		
Part #	Description	Qty	Part #	Description	Qty
20259	27" LH Front Con Box no light	1	20743	Butt Hinge with studs	4
21629	Trim Seal 27" LH Top	1	21602	M6 Nylock Nut	16
21630	Trim Seal 27" Bottom	1	14815	Ball Stud 10mm x 1/2"	4
20338	Vector T-Handle	2	90253	5/16" Nut	4
20400	27" LH Top Door	1	14794	35l lb Gas Spring	2
20232	27" Bottom Door	1			



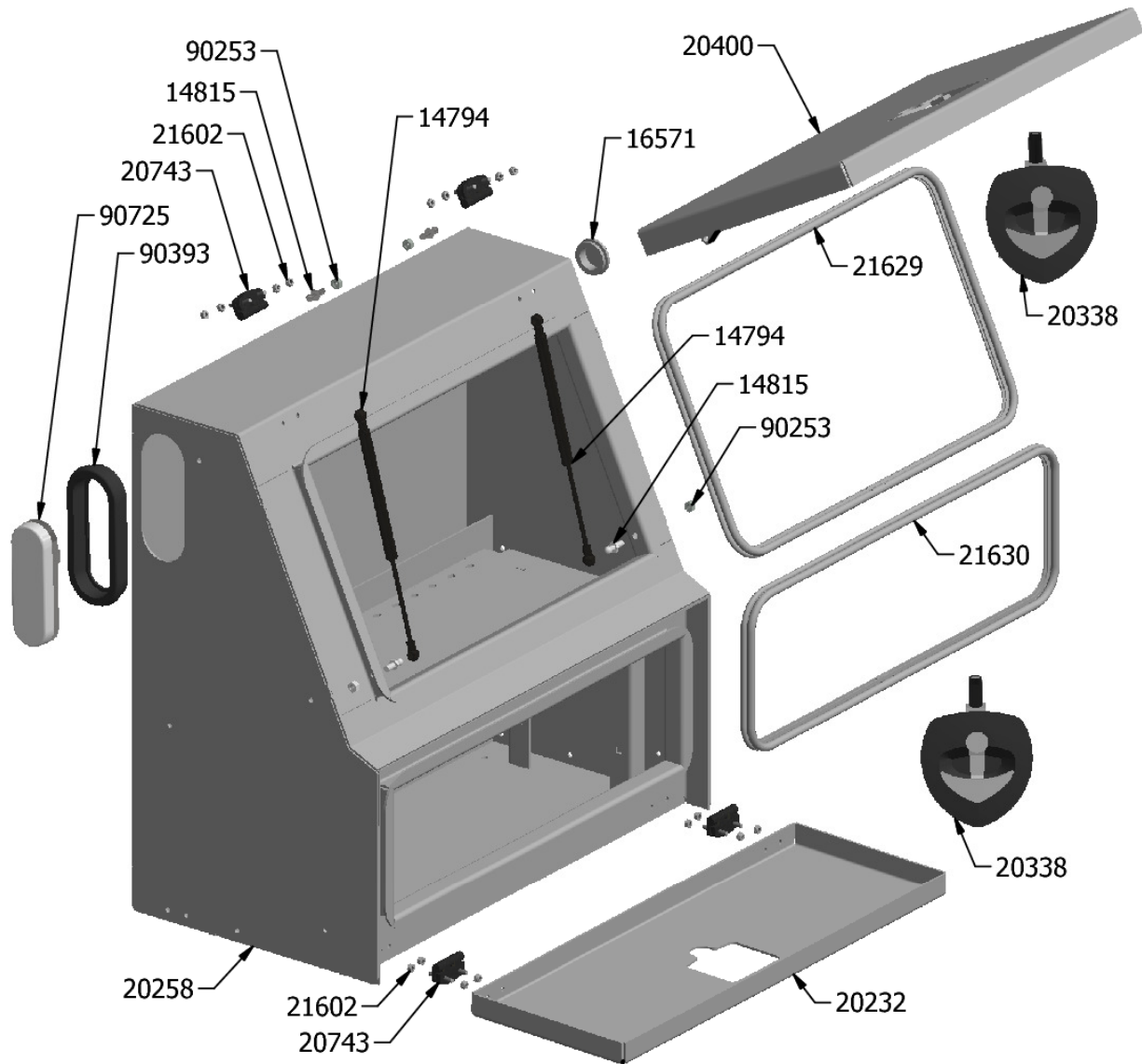
20305 27" Left Hand Front Con Box 15" Deep (with Light)



PARTS LIST			PARTS LIST		
Part #	Description	Qty	Part #	Description	Qty
20257	27" LH Front Con Box with light	1	20743	Butt Hinge with studs	4
21629	Trim Seal 27" Top	1	21602	M6 Nylock Nut	16
21630	Trim Seal 27" Bottom	1	14815	Ball Stud 10mm x 1/2"	4
20338	Vector T-Handle	2	90253	5/16" Nut	4
20400	27" Top Door	1	14794	35l lb Gas Spring	2
20232	27" Bottom Door	1	90725	Clear LED Light	1
90393	Oval Grommet	1	16571	wire Harness Grommet	1



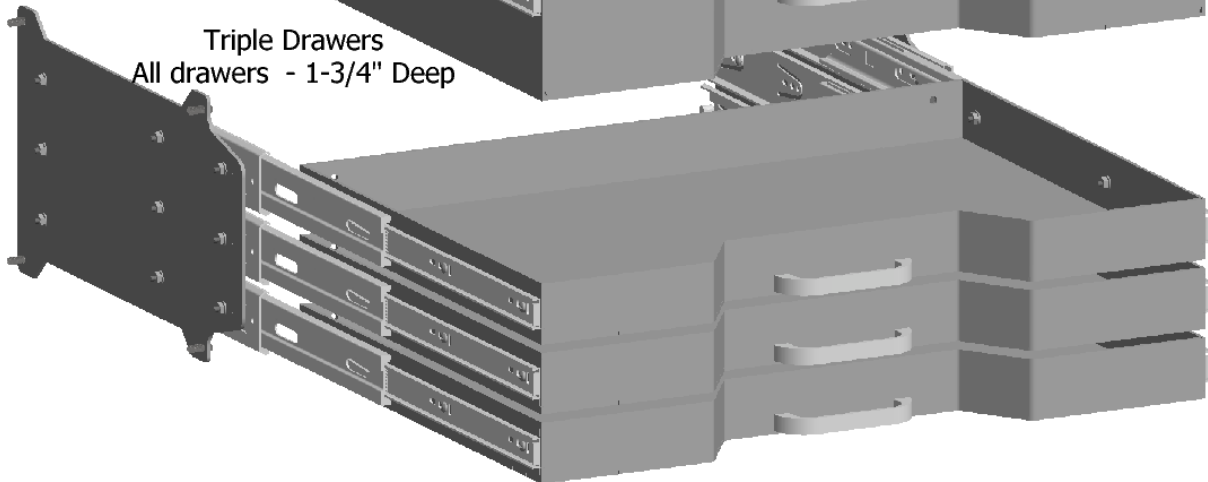
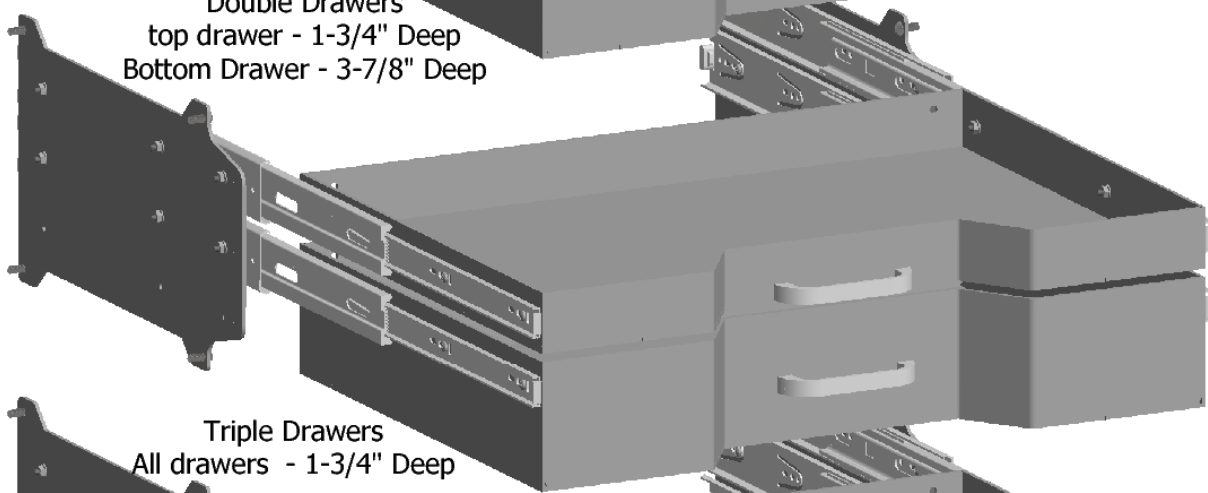
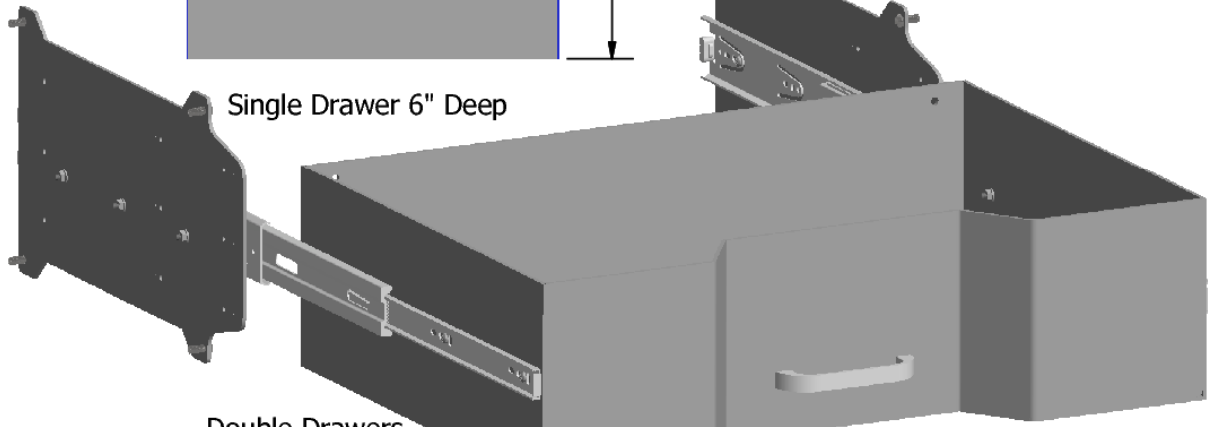
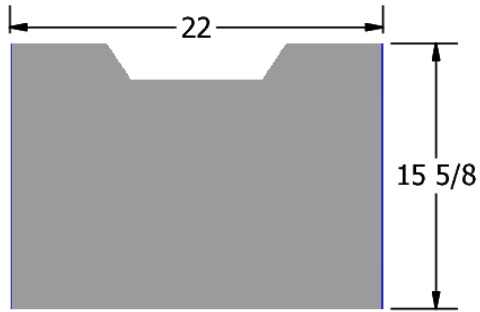
20306 27" Right Hand Front Con Box 15" Deep (with Light)

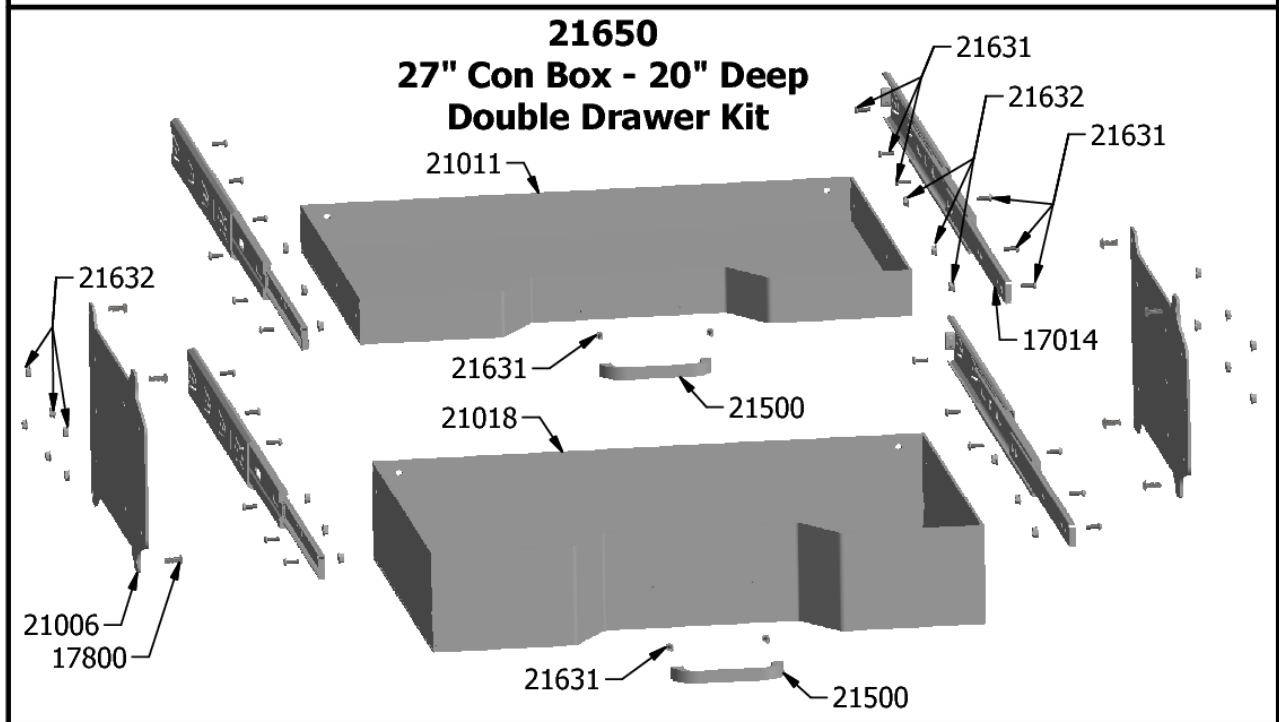
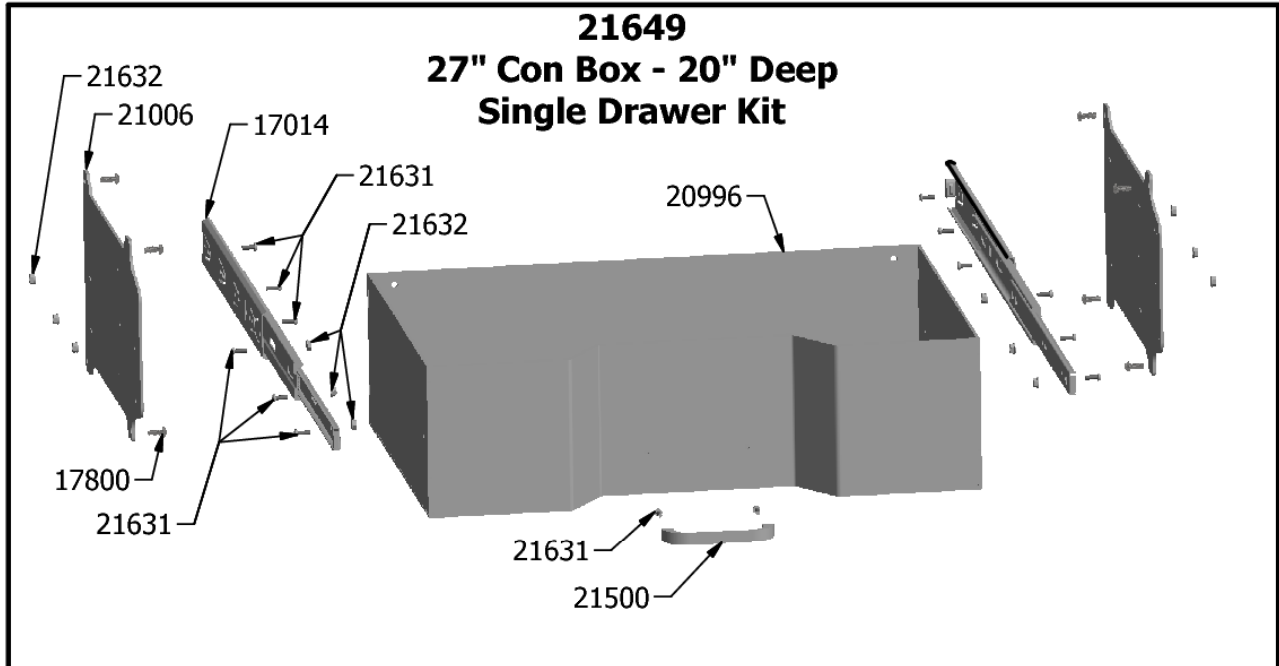


PARTS LIST			PARTS LIST		
Part #	Description	Qty	Part #	Description	Qty
20258	27" RH Front Con Box with light	1	20743	Butt Hinge with studs	4
21629	Trim Seal 27" Top	1	21602	M6 Nylock Nut	16
21630	Trim Seal 27" Bottom	1	14815	Ball Stud 10mm x 1/2"	4
20338	Vector T-Handle	2	90253	5/16" Nut	4
20400	27" Top Door	1	14794	35 lb Gas Spring	2
20232	27" Bottom Door	1	90725	Clear LED Light	1
90393	Oval Grommet	1	16571	wire Harness Grommet	1



**20" Toolboxes all have mounting brackets for drawers
same mounting plate is used for all 3 setups**

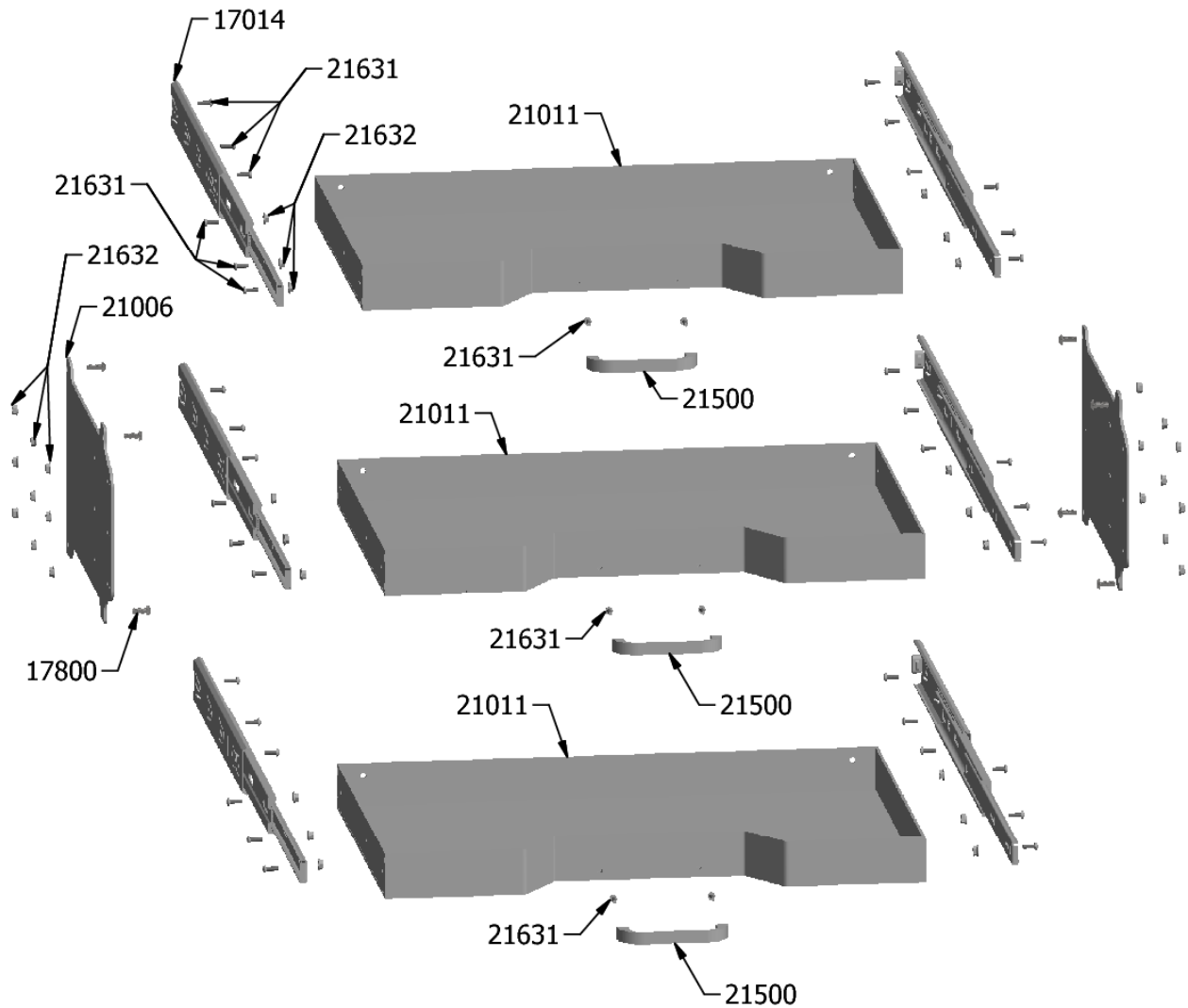




21649 PARTS LIST			21650 PARTS LIST		
Part #	Description	Qty	Part #	Description	Qty
20996	27" LH Single Drawer	1	21011	27" RH Triple Drawer	1
17014	16" Drawer Slide	2	21018	27" RH Double Drawer	1
21006	Drawer Mount Plate	2	17014	16" Drawer Slide	4
17800	1/4" x 5/8" Button Head	8	21006	Drawer Mount Plate	2
21631	8-32 x 1/2" Bolt	14	17800	1/4" x 5/8" Button Head	8
21632	8-32 Flange Lock Nut	12	21631	8-32 x 1/2" Bolt	28
21500	Pull Handle	1	21632	8-32 Flange Lock Nut	24
			21500	Pull Handle	2



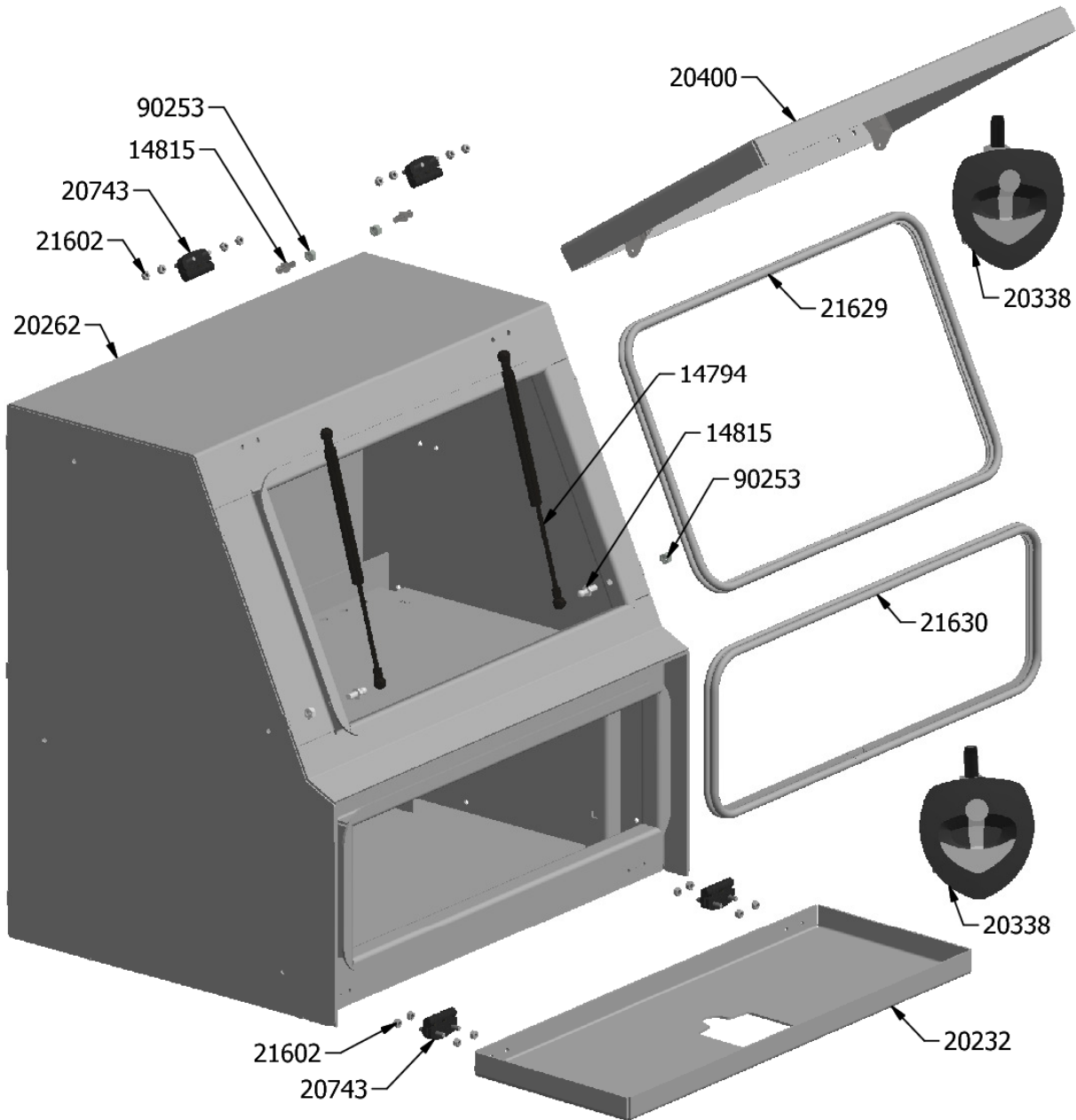
21651 27" Con Box - 20" Deep Triple Drawer Kit



21651 PARTS LIST			21651 PARTS LIST		
Part #	Description	Qty	Part #	Description	Qty
21011	27" LH Single Drawer	3	21631	8-32 x 1/2" Bolt	42
17014	16" Drawer Slide	6	21632	8-32 Flange Lock Nut	36
21006	Drawer Mount Plate	2	21500	Pull Handle	3
17800	1/4" x 5/8" Button Head	8			



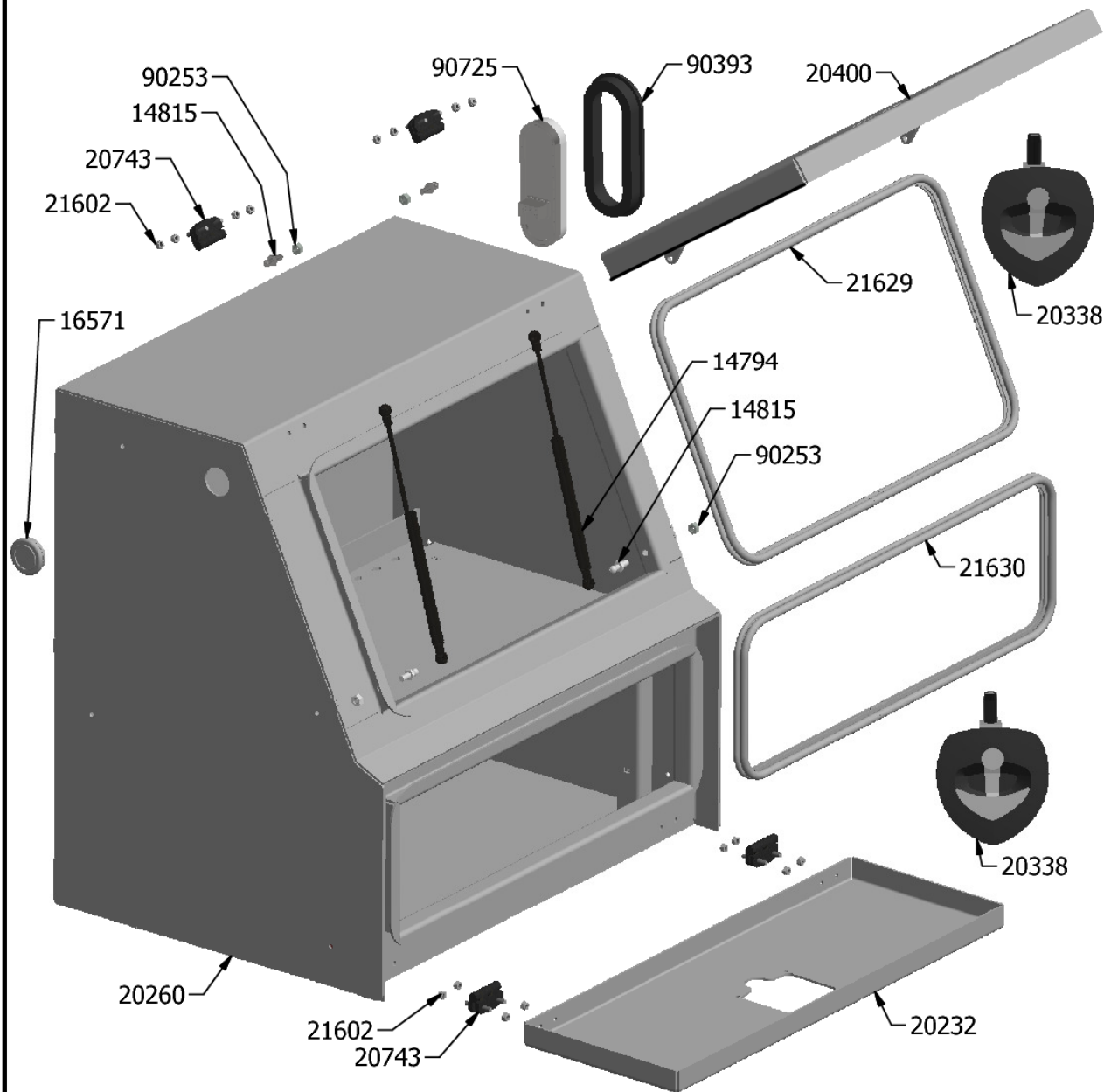
20310 27" Left Hand Front Con Box 20" Deep (with Light)



PARTS LIST			PARTS LIST		
Part #	Description	Qty	Part #	Description	Qty
20262	27" Front Con Box no light	1	20743	Butt Hinge with studs	4
21629	Trim Seal 27" LH Top	1	21602	M6 Nylock Nut	16
21630	Trim Seal 27" Bottom	1	14815	Ball Stud 10mm x 1/2"	4
20338	Vector T-Handle	2	90253	5/16" Nut	4
20400	27" LH Top Door	1	14794	35l lb Gas Spring	2
20232	27" Bottom Door	1			



20308 27" Left Hand Front Con Box 20" Deep (with Light)

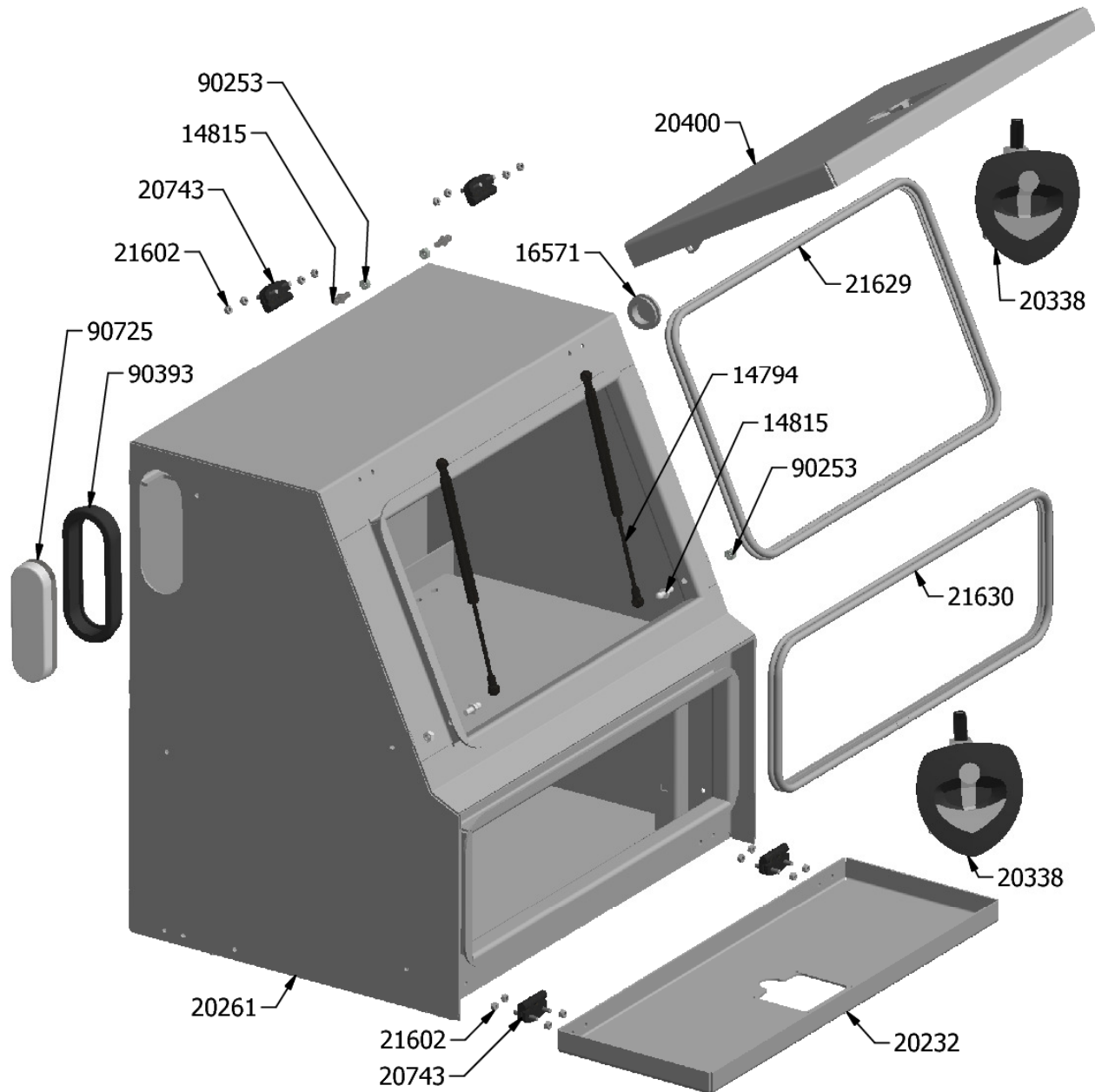


PARTS LIST			PARTS LIST		
Part #	Description	Qty	Part #	Description	Qty
20260	27" LH Front Con Box with light	1	20743	Butt Hinge with studs	4
21629	Trim Seal 27" Top	1	21602	M6 Nylock Nut	16
21630	Trim Seal 27" Bottom	1	14815	Ball Stud 10mm x 1/2"	4
20338	Vector T-Handle	2	90253	5/16" Nut	4
20400	27" Top Door	1	14794	35l lb Gas Spring	2
20232	27" Bottom Door	1	90725	Clear LED Light	1
90393	Oval Grommet	1	16571	wire Harness Grommet	1



20309

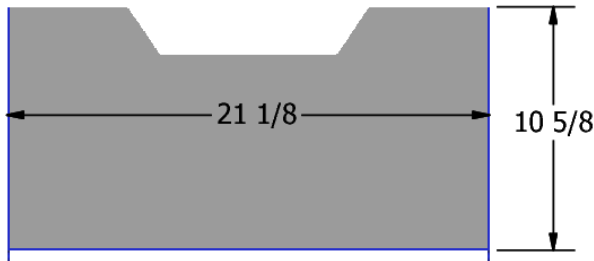
27" Right Hand Front Con Box 20" Deep (with Light)



PARTS LIST			PARTS LIST		
Part #	Description	Qty	Part #	Description	Qty
20261	27" RH Front Con Box with light	1	20743	Butt Hinge with studs	4
21629	Trim Seal 27" Top	1	21602	M6 Nylock Nut	16
21630	Trim Seal 27" Bottom	1	14815	Ball Stud 10mm x 1/2"	4
20338	Vector T-Handle	2	90253	5/16" Nut	4
20400	27" Top Door	1	14794	35l lb Gas Spring	2
20232	27" Bottom Door	1	90725	Clear LED Light	1
90393	Oval Grommet	1	16571	wire Harness Grommet	1

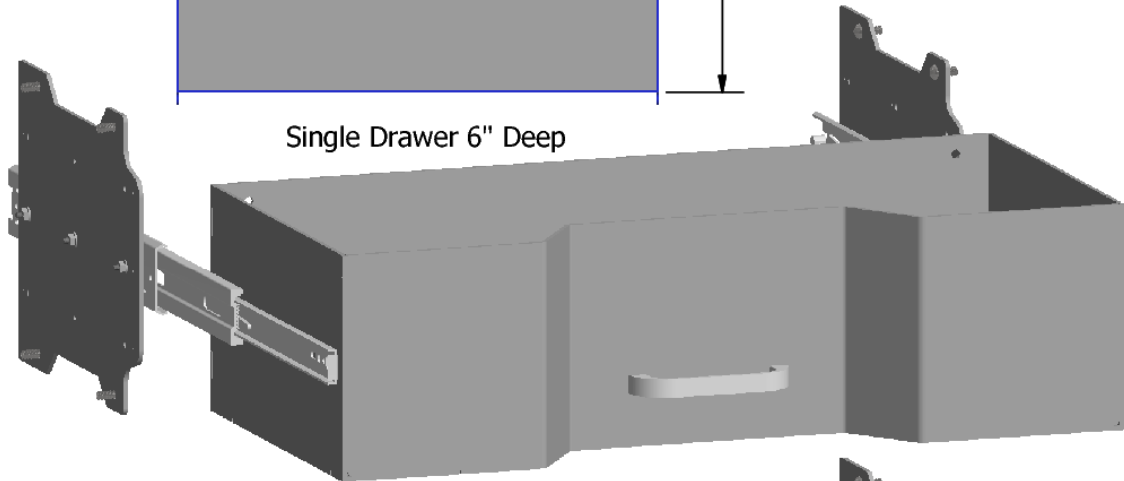


15" Toolboxes all have mounting brackets for drawers, the same mounting plate is used for all 3 setups

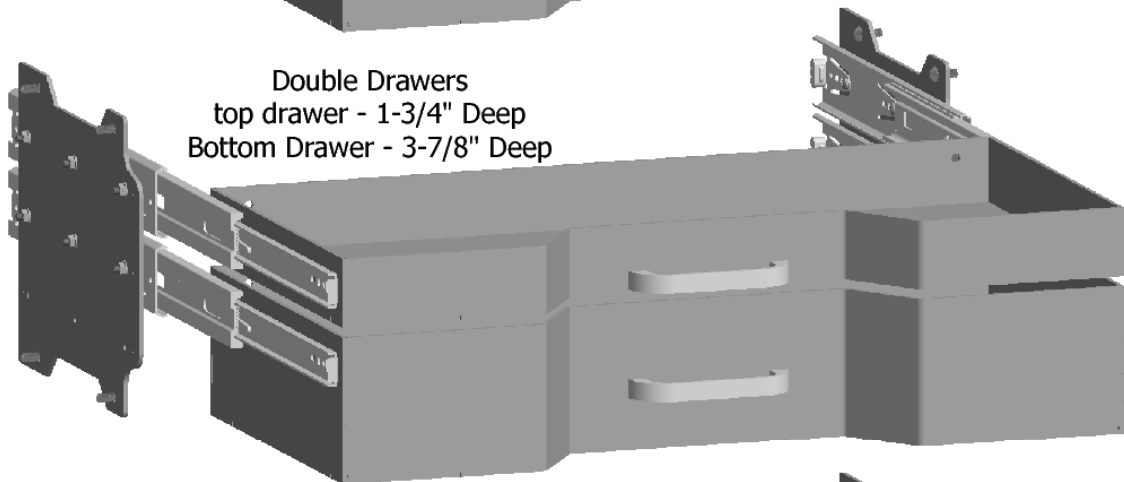


52" Con Box Only

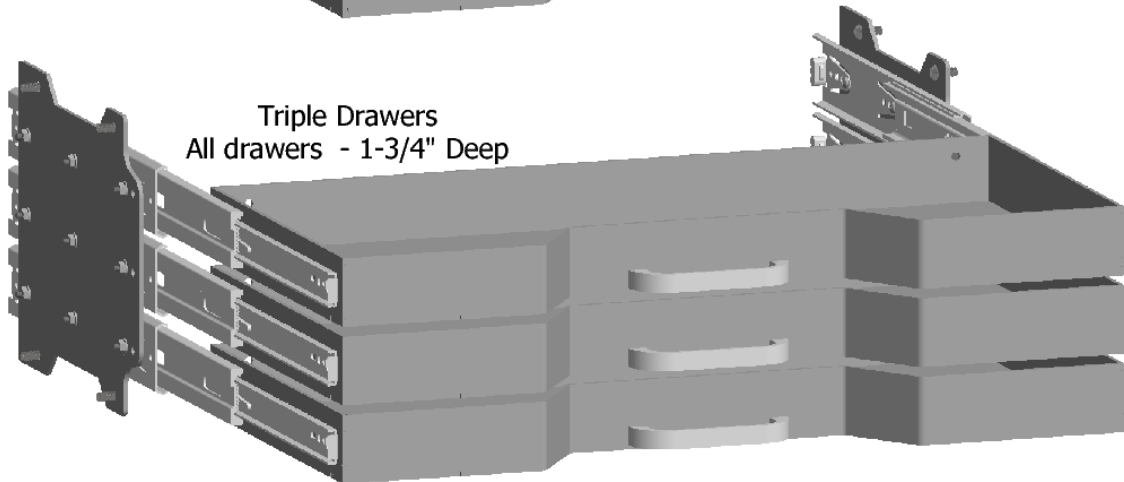
Single Drawer 6" Deep

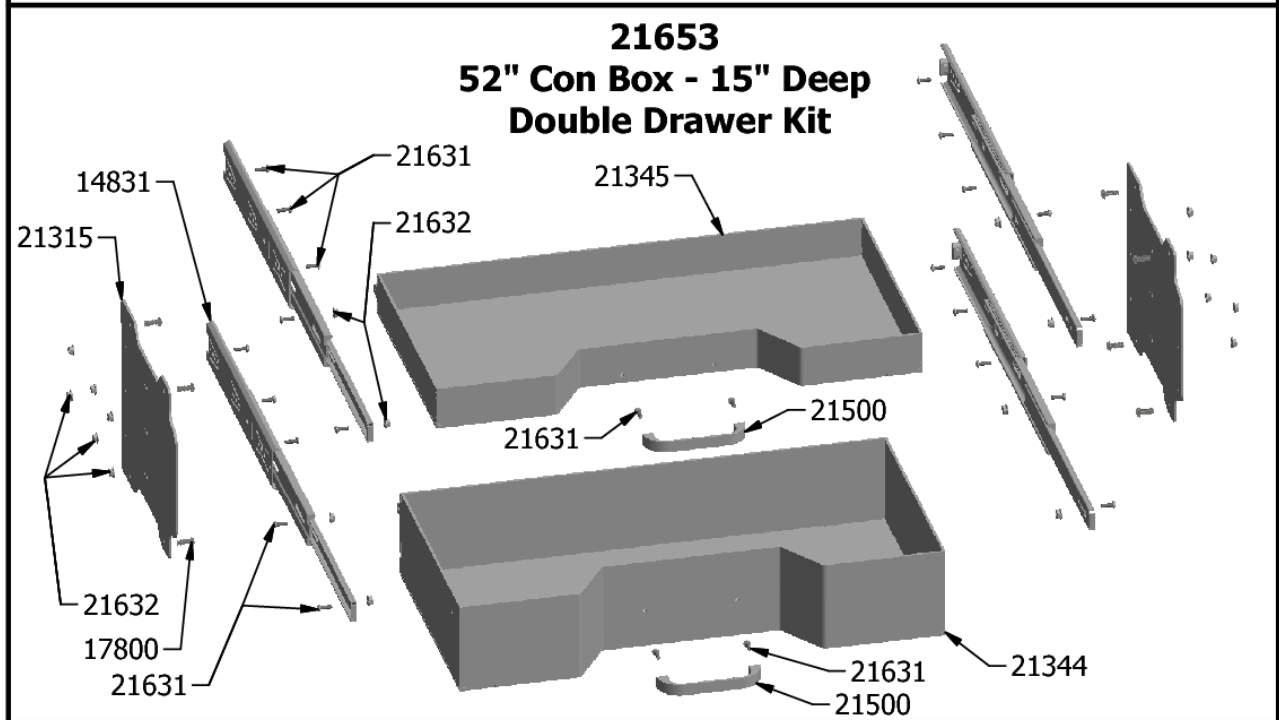
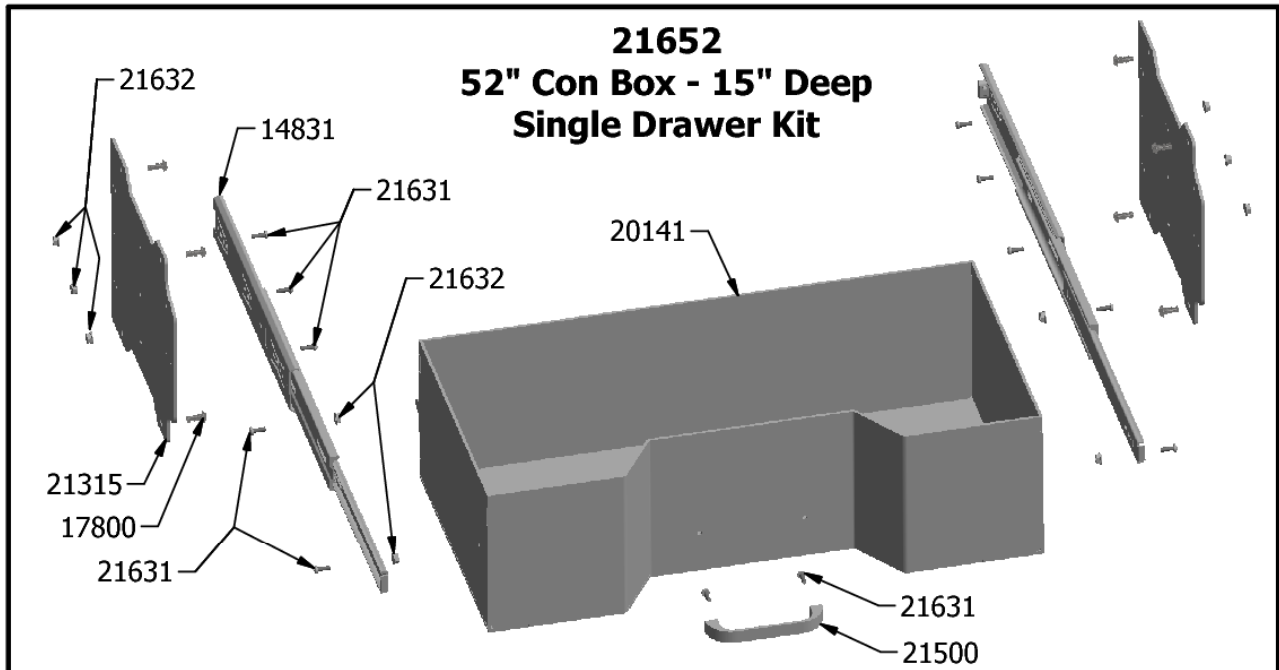


Double Drawers
top drawer - 1-3/4" Deep
Bottom Drawer - 3-7/8" Deep



Triple Drawers
All drawers - 1-3/4" Deep

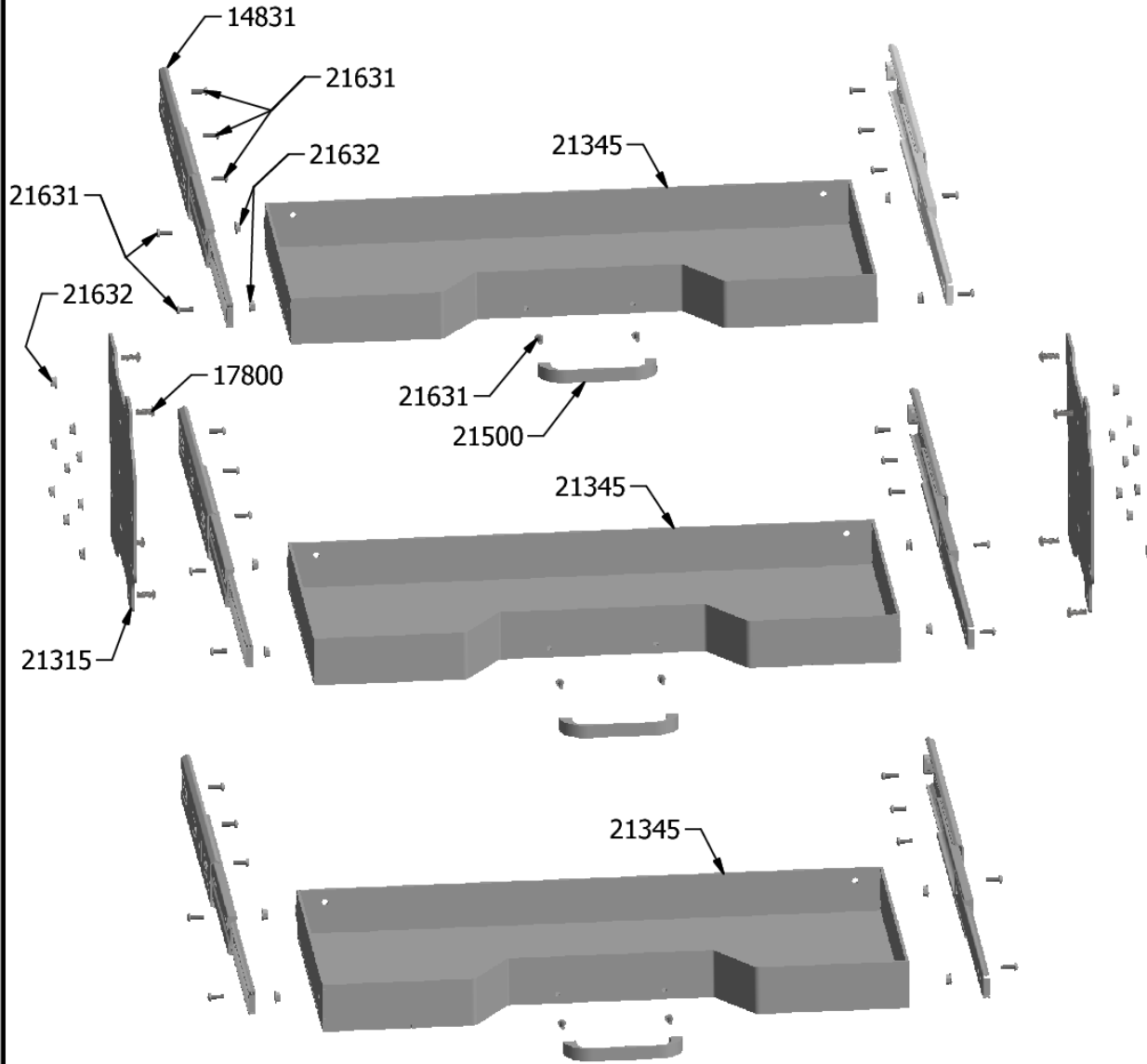




21652 PARTS LIST			21653 PARTS LIST		
Part #	Description	Qty	Part #	Description	Qty
20141	52" Single Drawer	1	21345	52" RH Triple Drawer	1
14831	12" Drawer Slide	2	21344	52" RH Double Drawer	1
21315	Drawer Mount Plate	2	14831	12" Drawer Slide	4
17800	1/4" x 5/8" Button Head	8	21315	Drawer Mount Plate	2
21631	8-32 x 1/2" Bolt	12	17800	1/4" x 5/8" Button Head	8
21632	8-32 Flange Lock Nut	10	21631	8-32 x 1/2" Bolt	24
21500	Pull Handle	1	21632	8-32 Flange Lock Nut	20
			21500	Pull Handle	2



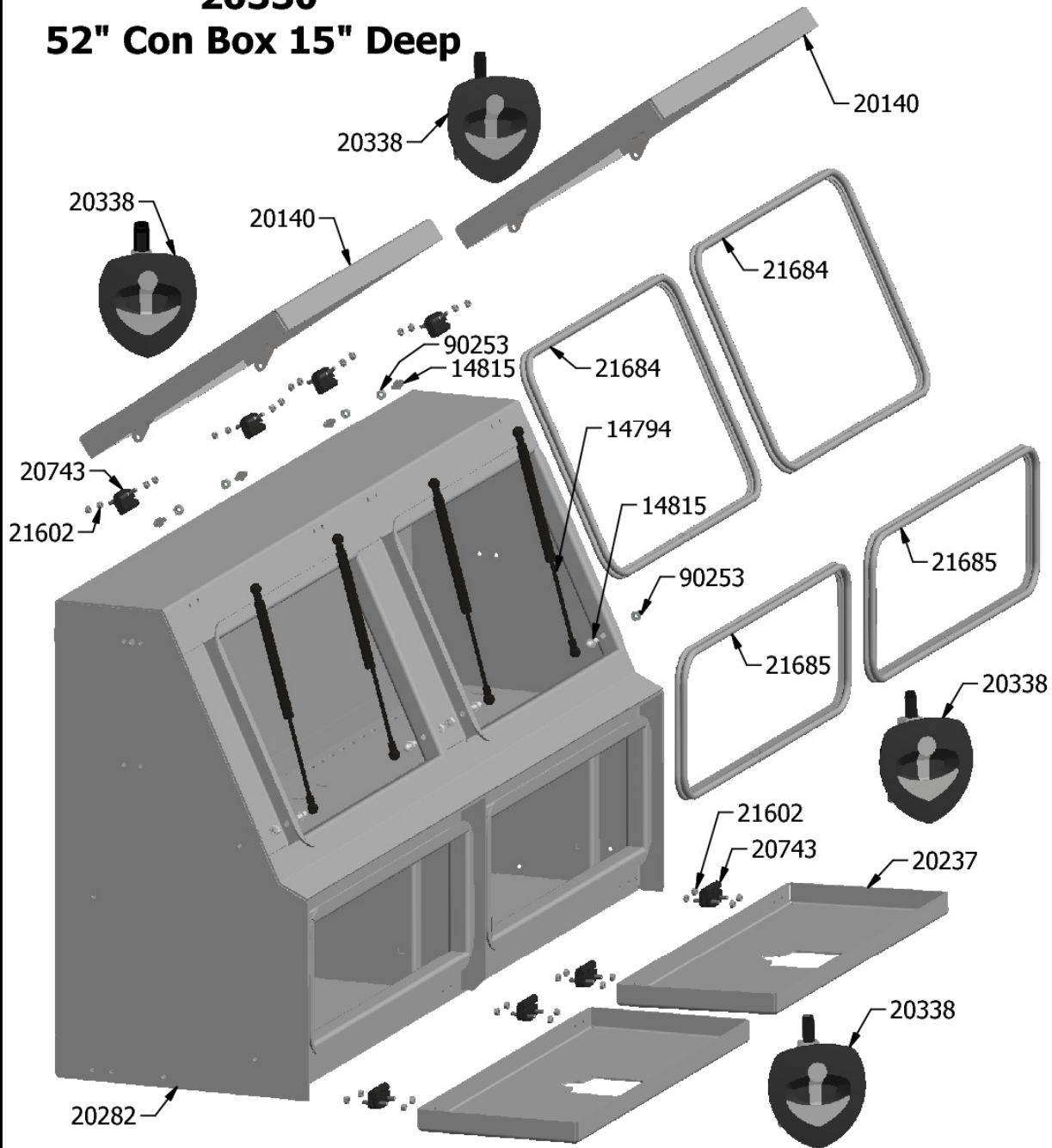
21654
52" Con Box - 15" Deep
Triple Drawer Kit



21648 PARTS LIST			21646 PARTS LIST		
Part #	Description	Qty	Part #	Description	Qty
21345	52" Single Drawer	3	21631	8-32 x 1/2" Bolt	36
14831	12" Drawer Slide	6	21632	8-32 Flange Lock Nut	30
21315	Drawer Mount Plate	2	21500	Pull Handle	3
17800	1/4" x 5/8" Button Head	8			



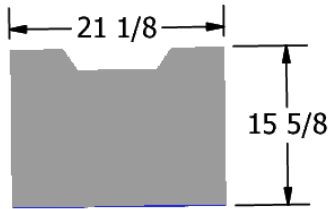
20330 52" Con Box 15" Deep



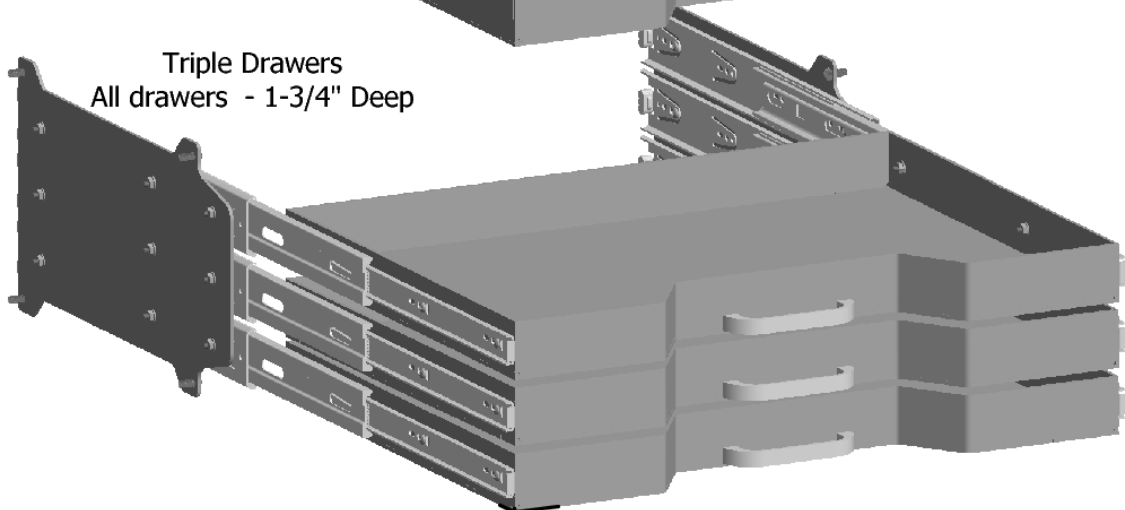
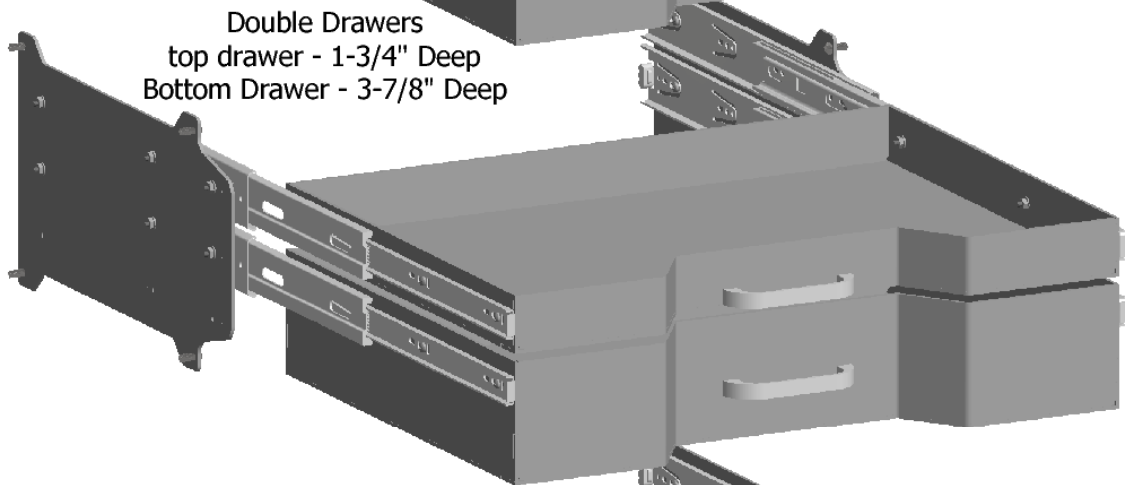
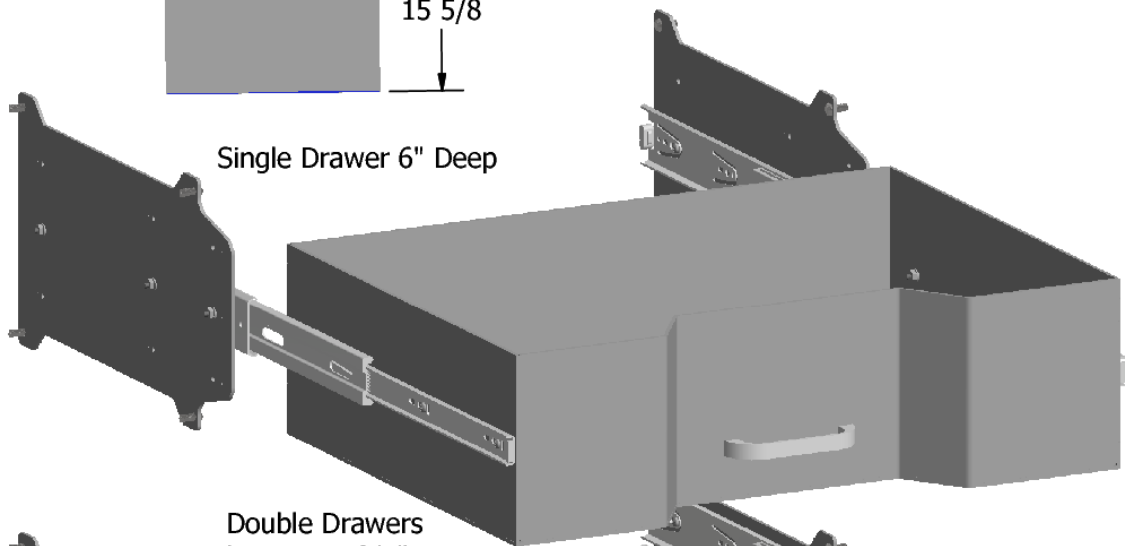
PARTS LIST			PARTS LIST		
Part #	Description	Qty	Part #	Description	Qty
20282	52 Con Box 15" deep	1	20743	Butt Hinge with studs	8
21684	Trim Seal 52" Top	2	21602	M6 Nylock Nut	32
21685	Trim Seal 52" Bottom	2	14815	Ball Stud 10mm x 1/2"	8
20338	Vector T-Handle	4	90253	5/16" Nut	8
20140	52" Top Door	2	14794	35l lb Gas Spring	4
20237	52" Bottom Door	2			



20" Toolboxes all have mounting brackets for drawers same mounting plate is used for all 3 setups

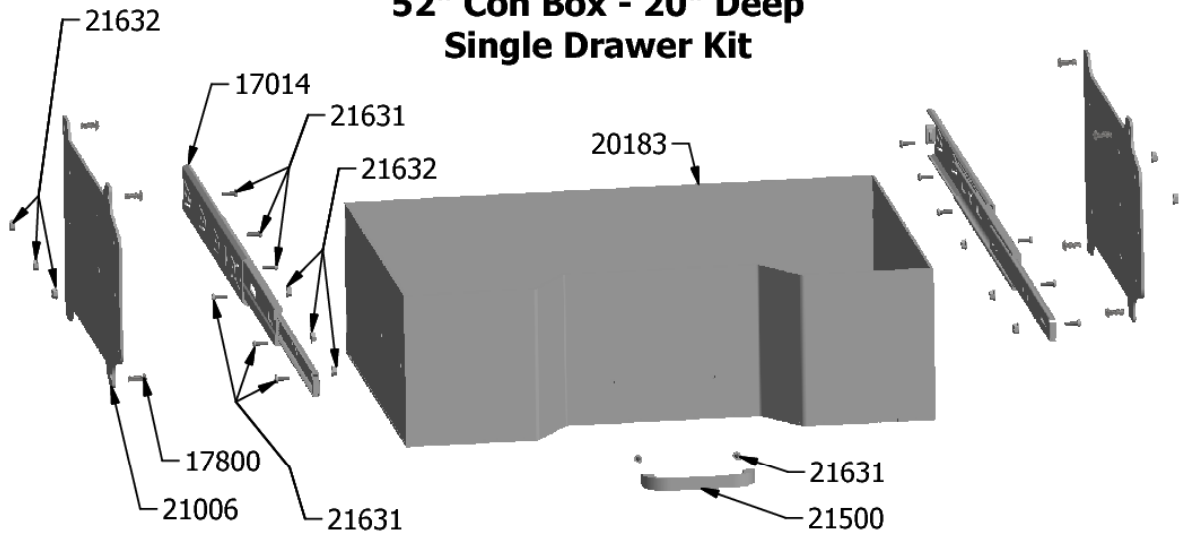


52" Con Box Only

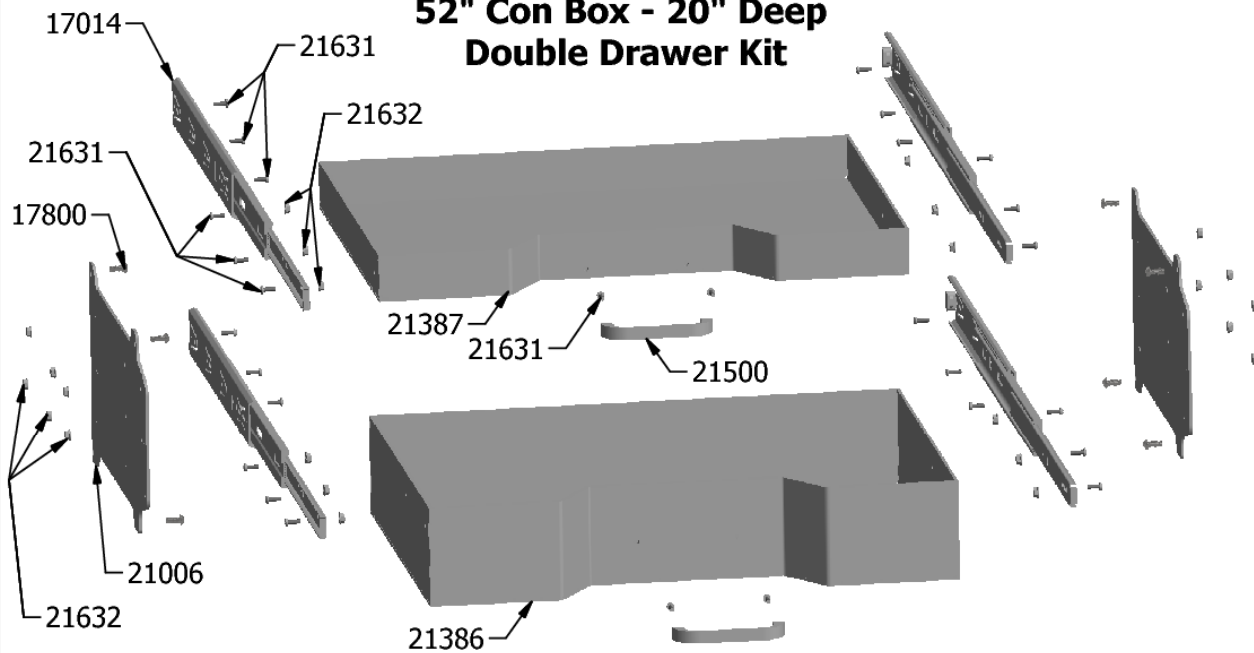




21655
52" Con Box - 20" Deep
Single Drawer Kit



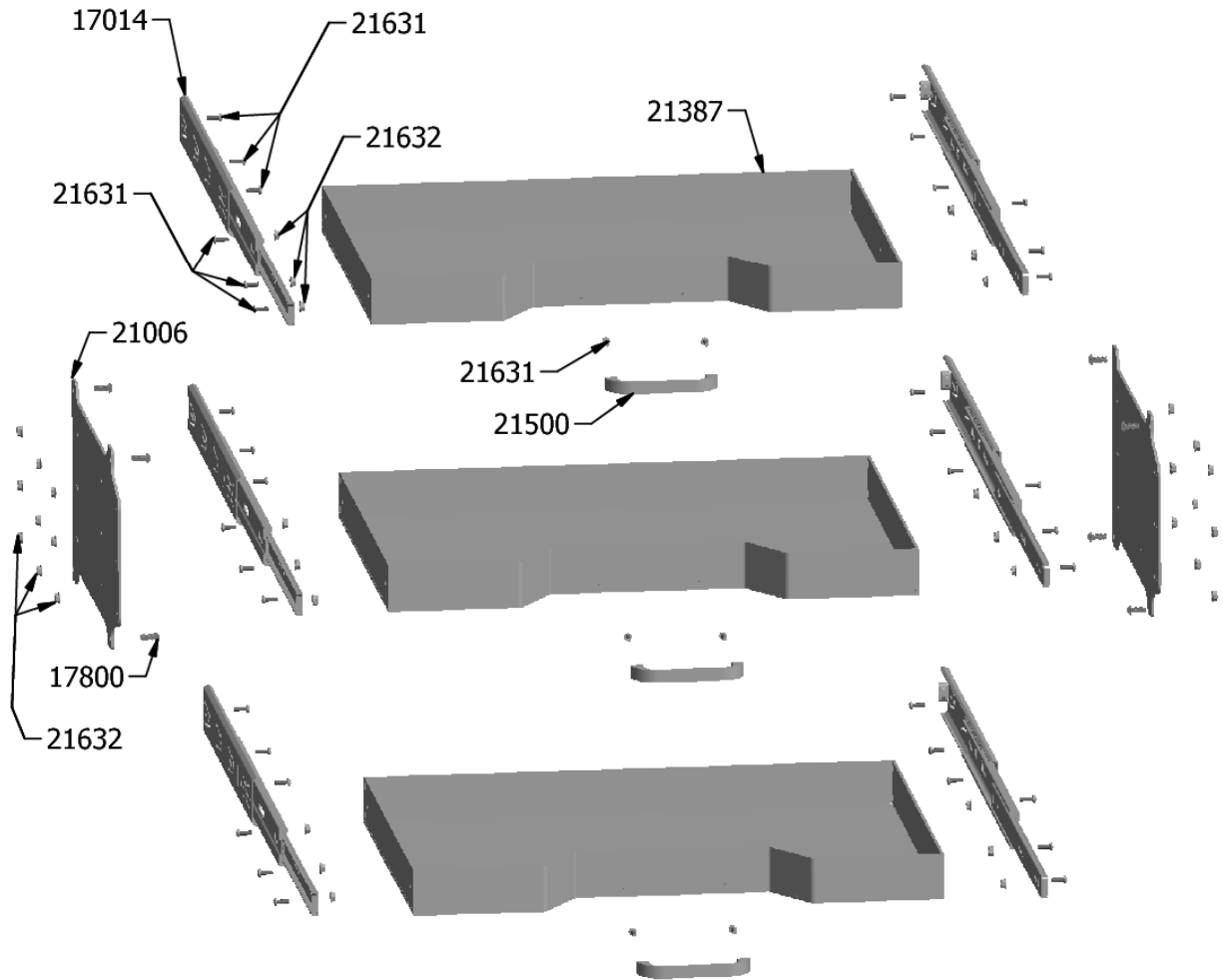
21656
52" Con Box - 20" Deep
Double Drawer Kit



21655 PARTS LIST			21656 PARTS LIST		
Part #	Description	Qty	Part #	Description	Qty
20183	52" Single Drawer	1	21387	52" Triple Drawer	1
17014	16" Drawer Slide	2	21386	52" Double Drawer	1
21006	Drawer Mount Plate	2	17014	16" Drawer Slide	4
17800	1/4" x 5/8" Button Head	8	21006	Drawer Mount Plate	2
21631	8-32 x 1/2" Bolt	14	17800	1/4" x 5/8" Button Head	8
21632	8-32 Flange Lock Nut	12	21631	8-32 x 1/2" Bolt	28
21500	Pull Handle	1	21632	8-32 Flange Lock Nut	24
			21500	Pull Handle	2



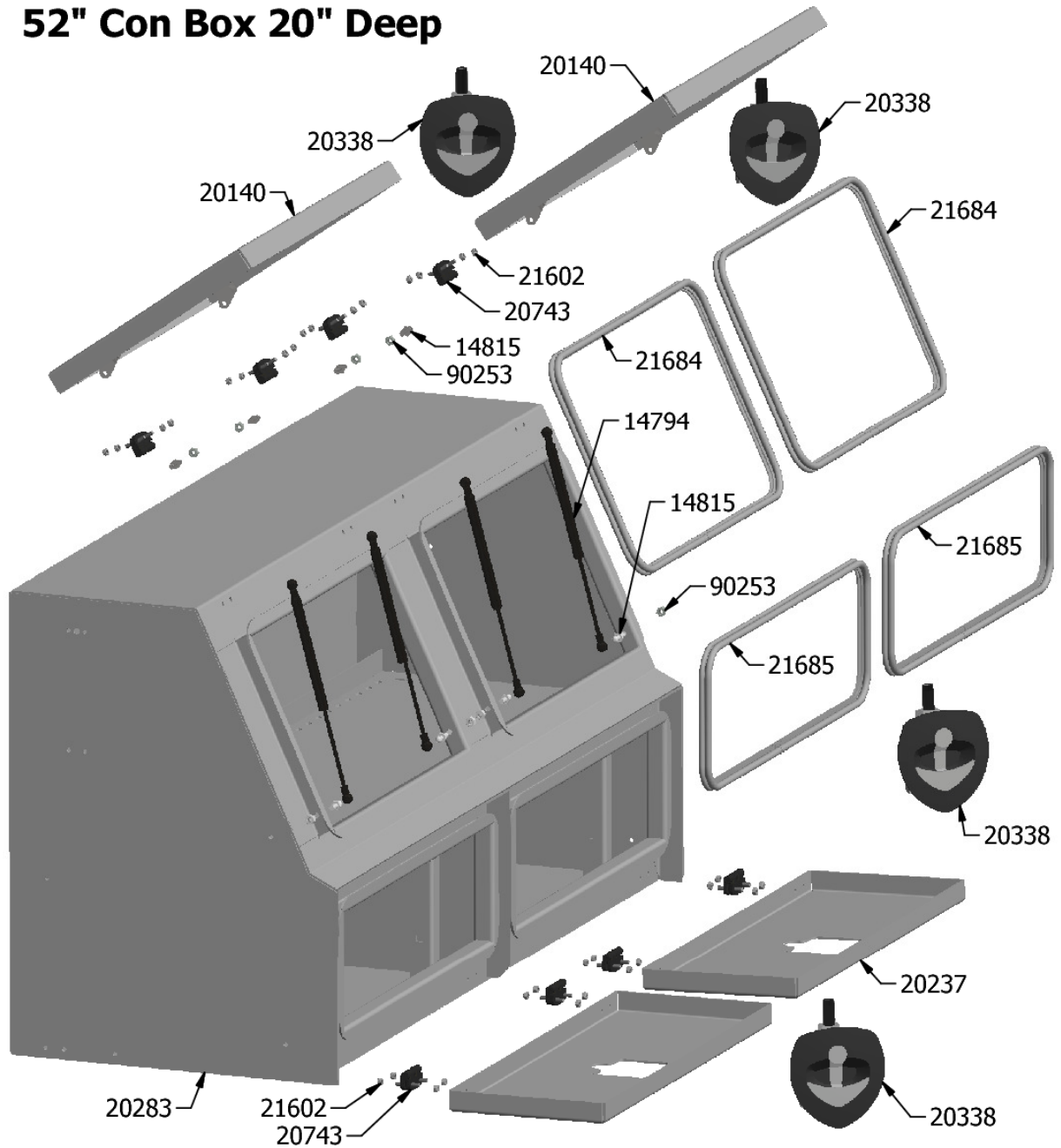
**21657
52" Con Box - 20" Deep
Triple Drawer Kit**



21657 PARTS LIST			21657 PARTS LIST		
Part #	Description	Qty	Part #	Description	Qty
21387	27" Single Drawer	3	21631	8-32 x 1/2" Bolt	42
17014	16" Drawer Slide	6	21632	8-32 Flange Lock Nut	36
21006	Drawer Mount Plate	2	21500	Pull Handle	3
17800	1/4" x 5/8" Button Head	8			



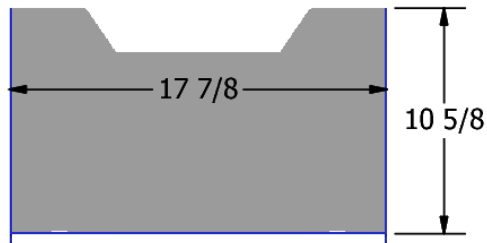
20331 52" Con Box 20" Deep



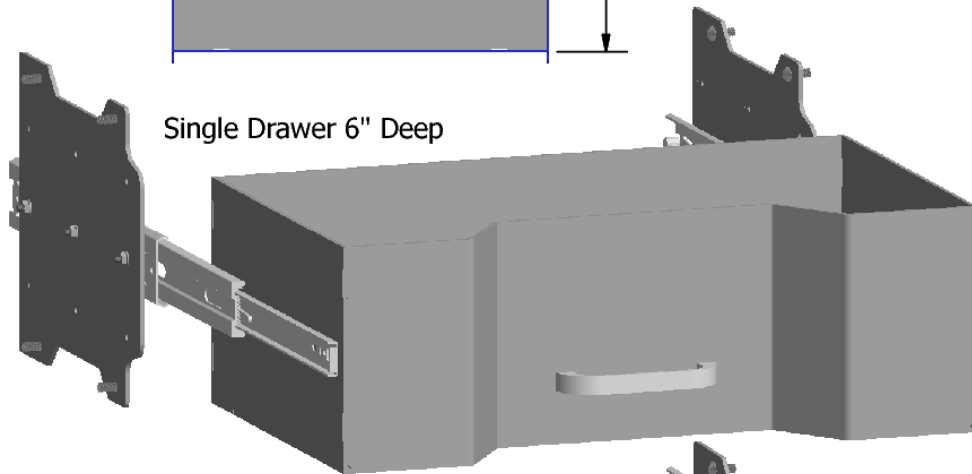
PARTS LIST			PARTS LIST		
Part #	Description	Qty	Part #	Description	Qty
20283	52 Con Box 20" deep	1	20743	Butt Hinge with studs	8
21684	Trim Seal 52" Top	2	21602	M6 Nylock Nut	32
21685	Trim Seal 52" Bottom	2	14815	Ball Stud 10mm x 1/2"	8
20338	Vector T-Handle	4	90253	5/16" Nut	8
20140	52" Top Door	2	14794	351 lb Gas Spring	4
20237	52" Bottom Door	2			



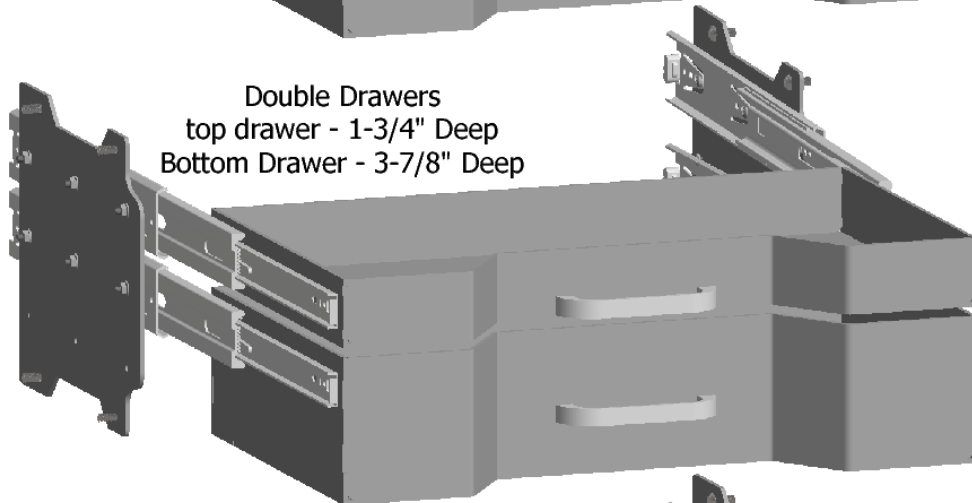
15" Toolboxes all have mounting brackets for drawers same mounting plate is used for all 3 setups



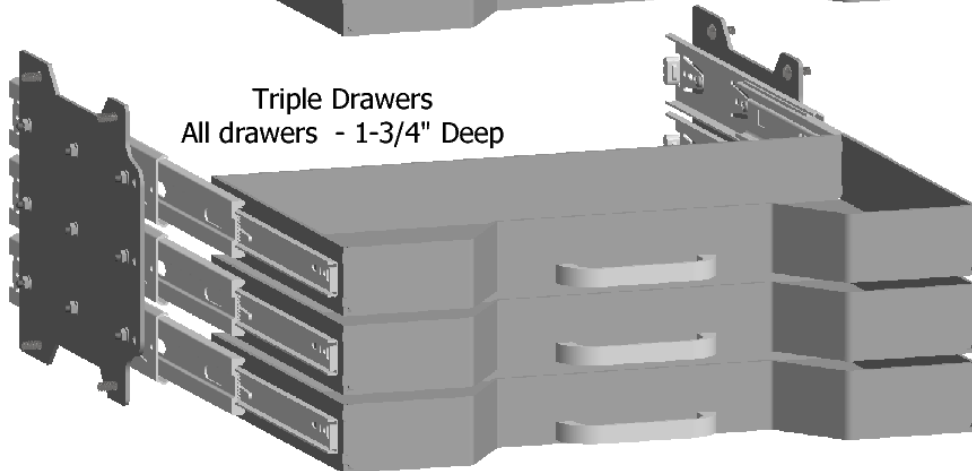
68" Con Box Only



Single Drawer 6" Deep



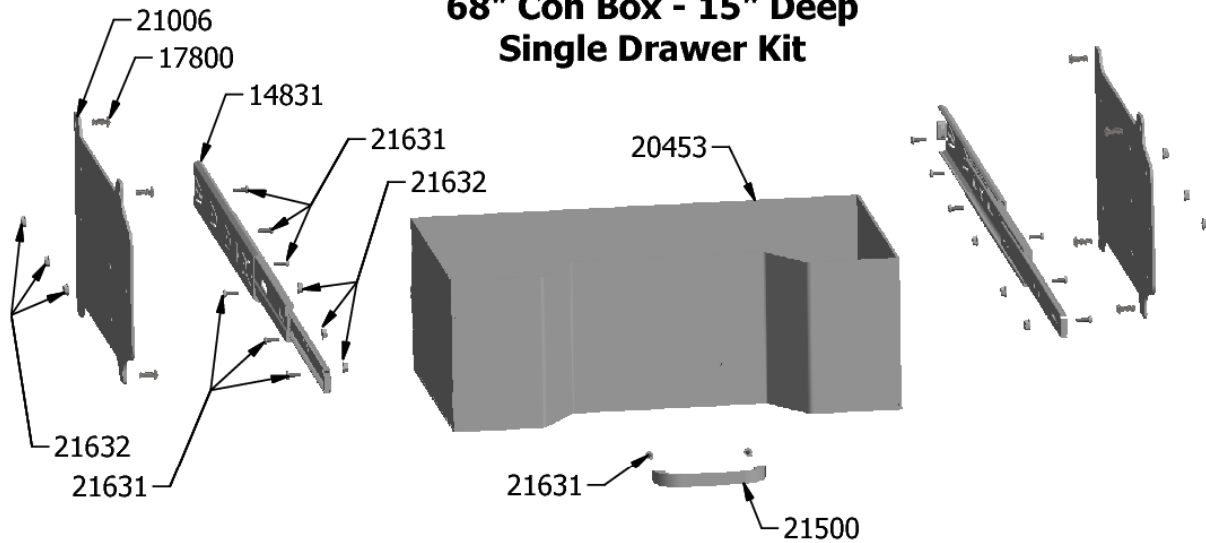
Double Drawers
top drawer - 1-3/4" Deep
Bottom Drawer - 3-7/8" Deep



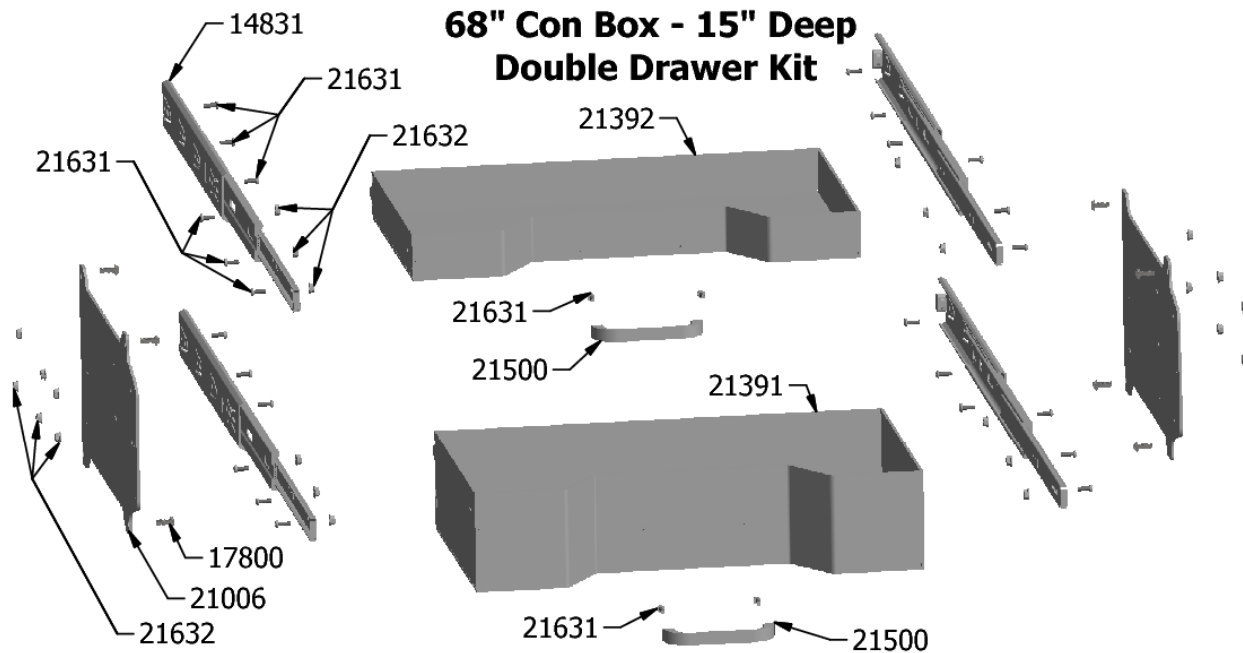
Triple Drawers
All drawers - 1-3/4" Deep



21658
68" Con Box - 15" Deep
Single Drawer Kit



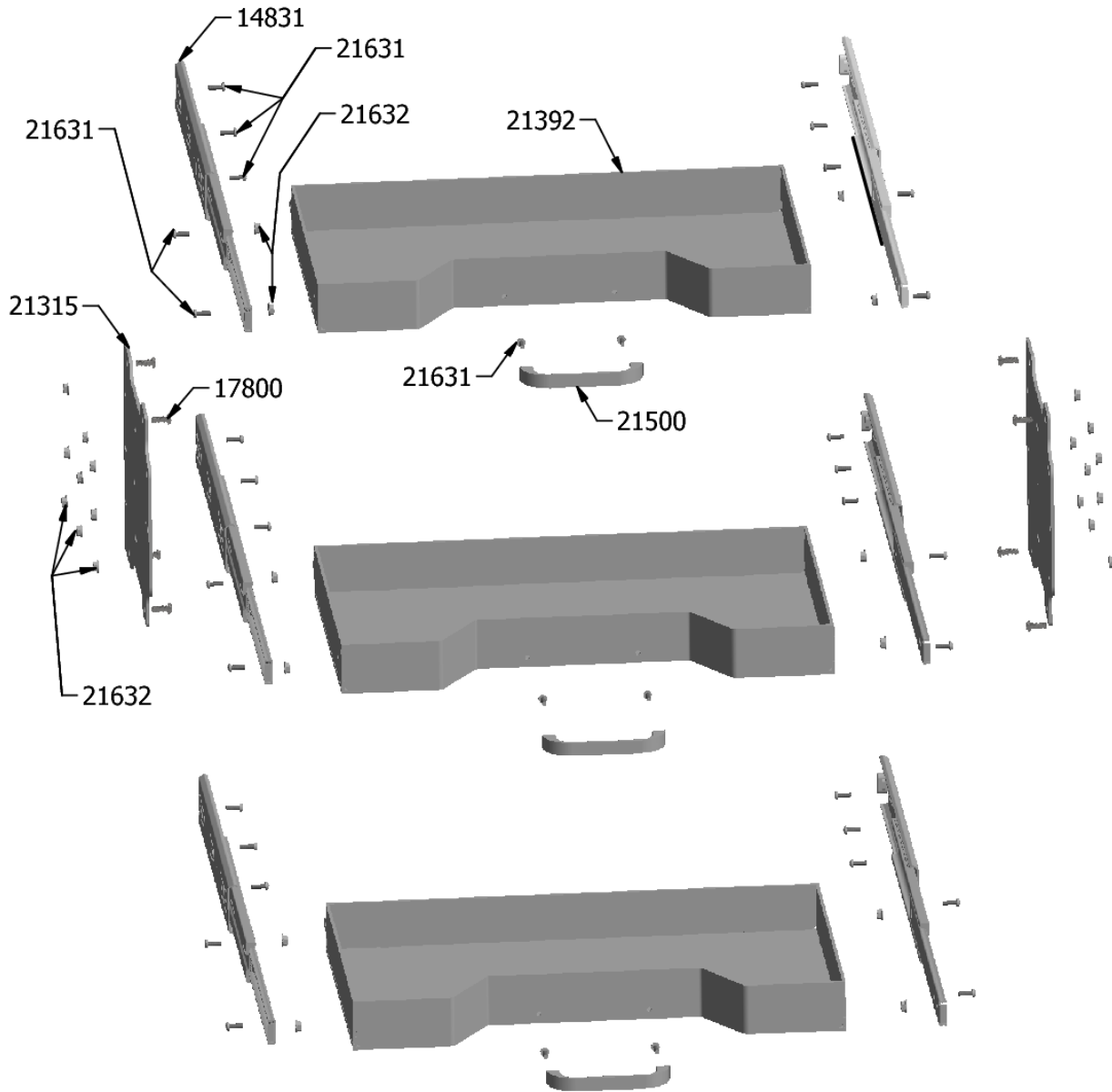
21659
68" Con Box - 15" Deep
Double Drawer Kit



21658 PARTS LIST			21659 PARTS LIST		
Part #	Description	Qty	Part #	Description	Qty
20453	68" Single Drawer	1	21392	68" RH Triple Drawer	1
14831	12" Drawer Slide	2	21391	68" RH Double Drawer	1
21315	Drawer Mount Plate	2	14831	12" Drawer Slide	4
17800	1/4" x 5/8" Button Head	8	21315	Drawer Mount Plate	2
21631	8-32 x 1/2" Bolt	12	17800	1/4" x 5/8" Button Head	8
21632	8-32 Flange Lock Nut	10	21631	8-32 x 1/2" Bolt	24
21500	Pull Handle	1	21632	8-32 Flange Lock Nut	20
			21500	Pull Handle	2



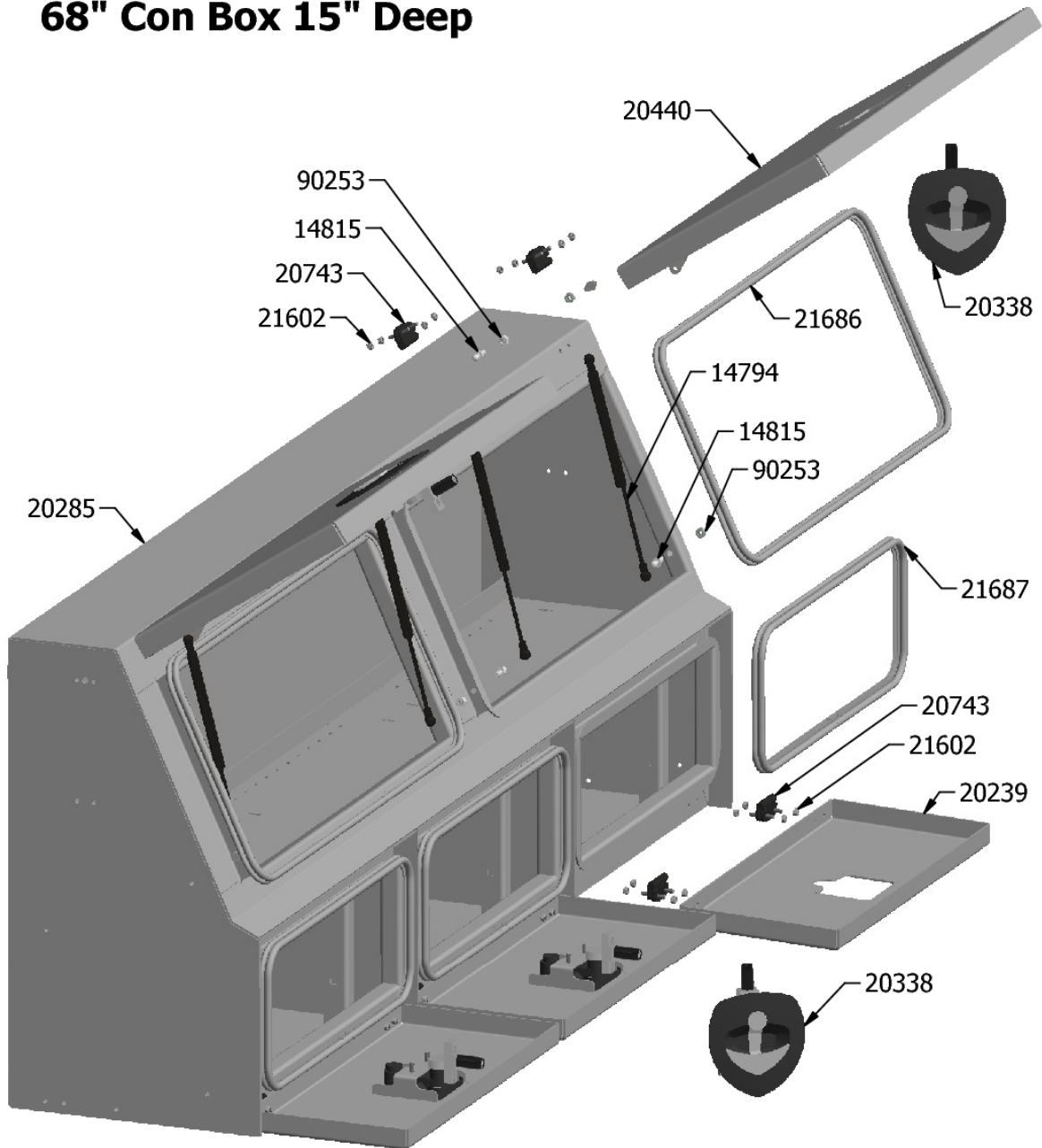
**21660
68" Con Box - 15" Deep
Triple Drawer Kit**



21660 PARTS LIST			21660 PARTS LIST		
Part #	Description	Qty	Part #	Description	Qty
21392	68" Single Drawer	3	21631	8-32 x 1/2" Bolt	36
14831	12" Drawer Slide	6	21632	8-32 Flange Lock Nut	30
21315	Drawer Mount Plate	2	21500	Pull Handle	3
17800	1/4" x 5/8" Button Head	8			



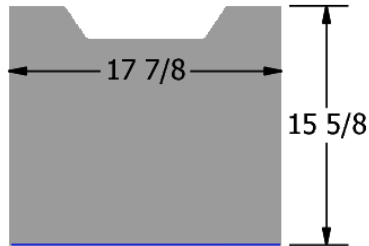
20333 68" Con Box 15" Deep



PARTS LIST			PARTS LIST		
Part #	Description	Qty	Part #	Description	Qty
20285	68 Con Box 15" deep	1	20743	Butt Hinge with studs	10
21686	Trim Seal 68" Top	2	21602	M6 Nylock Nut	40
21687	Trim Seal 68" Bottom	2	14815	Ball Stud 10mm x 1/2"	8
20338	Vector T-Handle	4	90253	5/16" Nut	8
20440	68" Top Door	2	14794	35l lb Gas Spring	4
20239	68" Bottom Door	3			

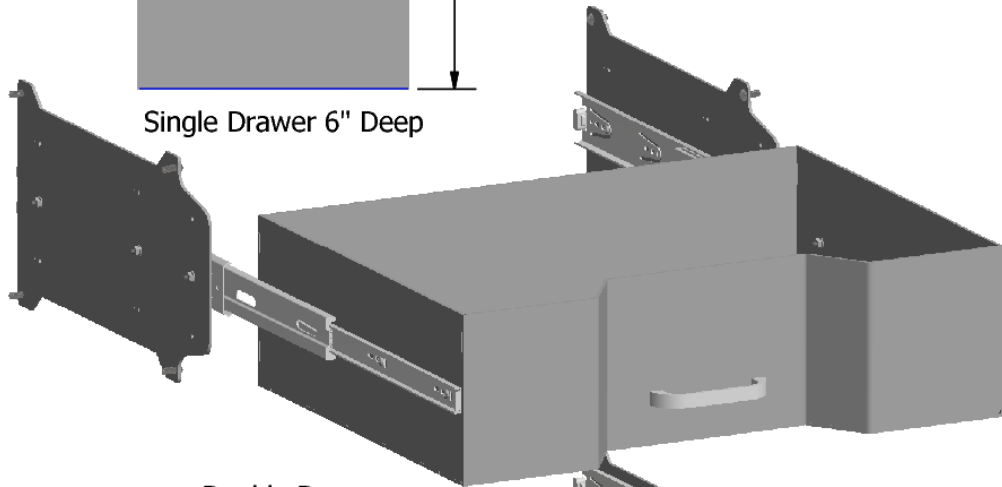


20" Toolboxes all have mounting brackets for drawers same mounting plate is used for all 3 setups

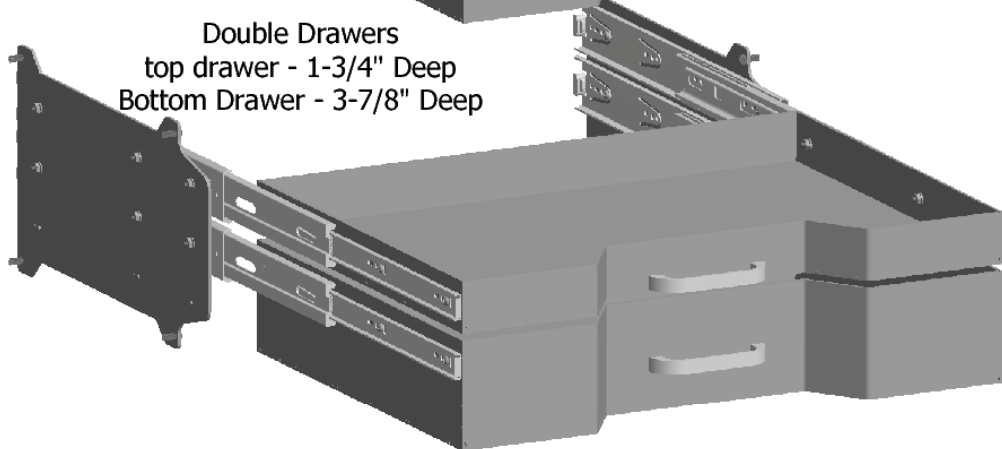


68" Con Box Only

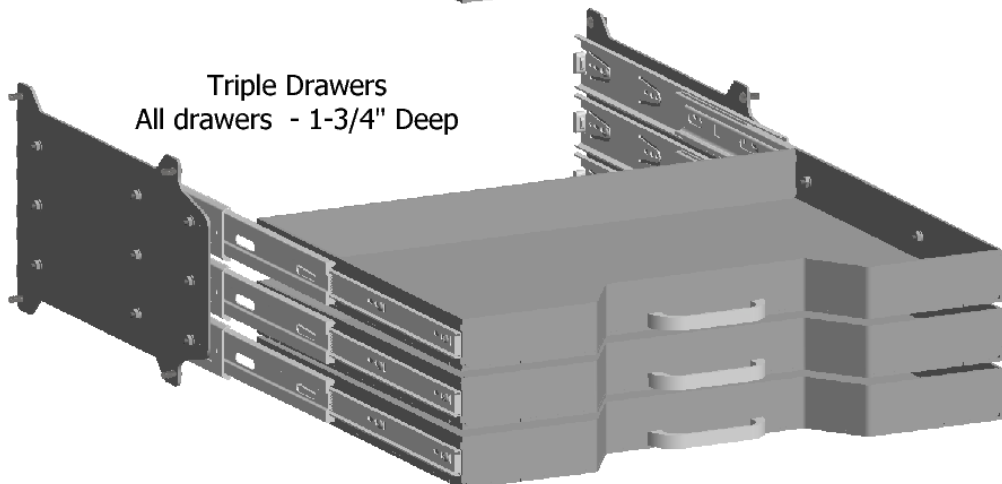
Single Drawer 6" Deep



Double Drawers
top drawer - 1-3/4" Deep
Bottom Drawer - 3-7/8" Deep

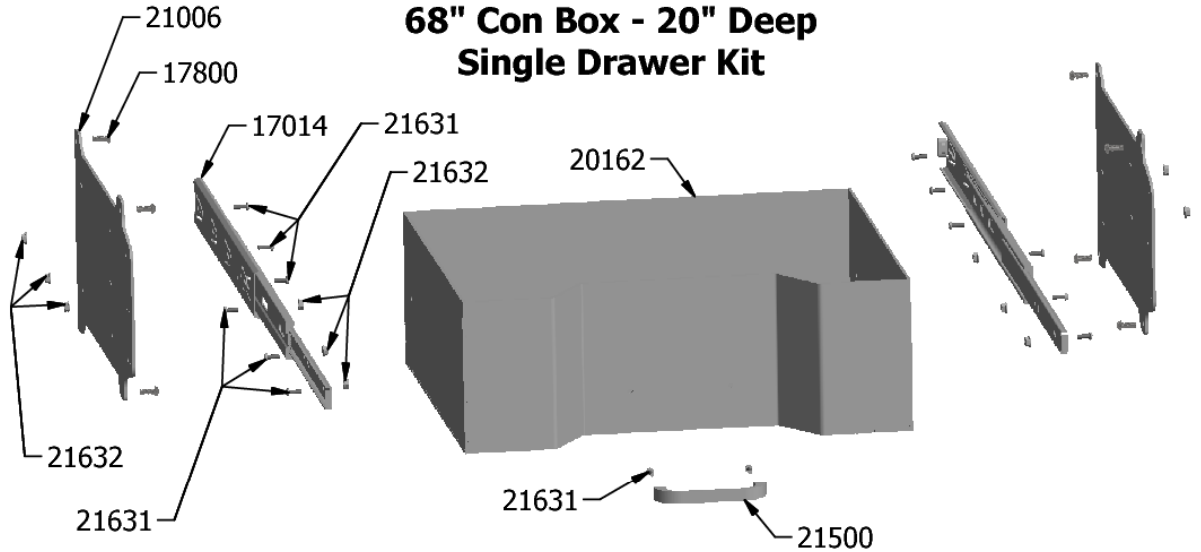


Triple Drawers
All drawers - 1-3/4" Deep

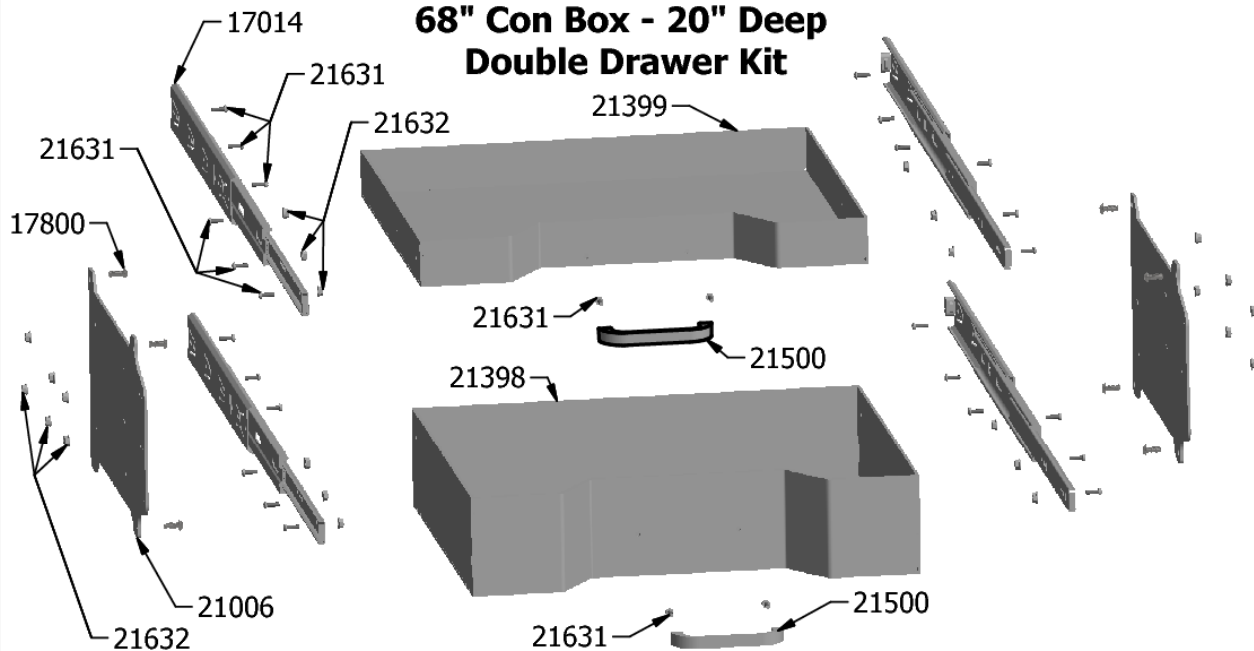




21661 68" Con Box - 20" Deep Single Drawer Kit



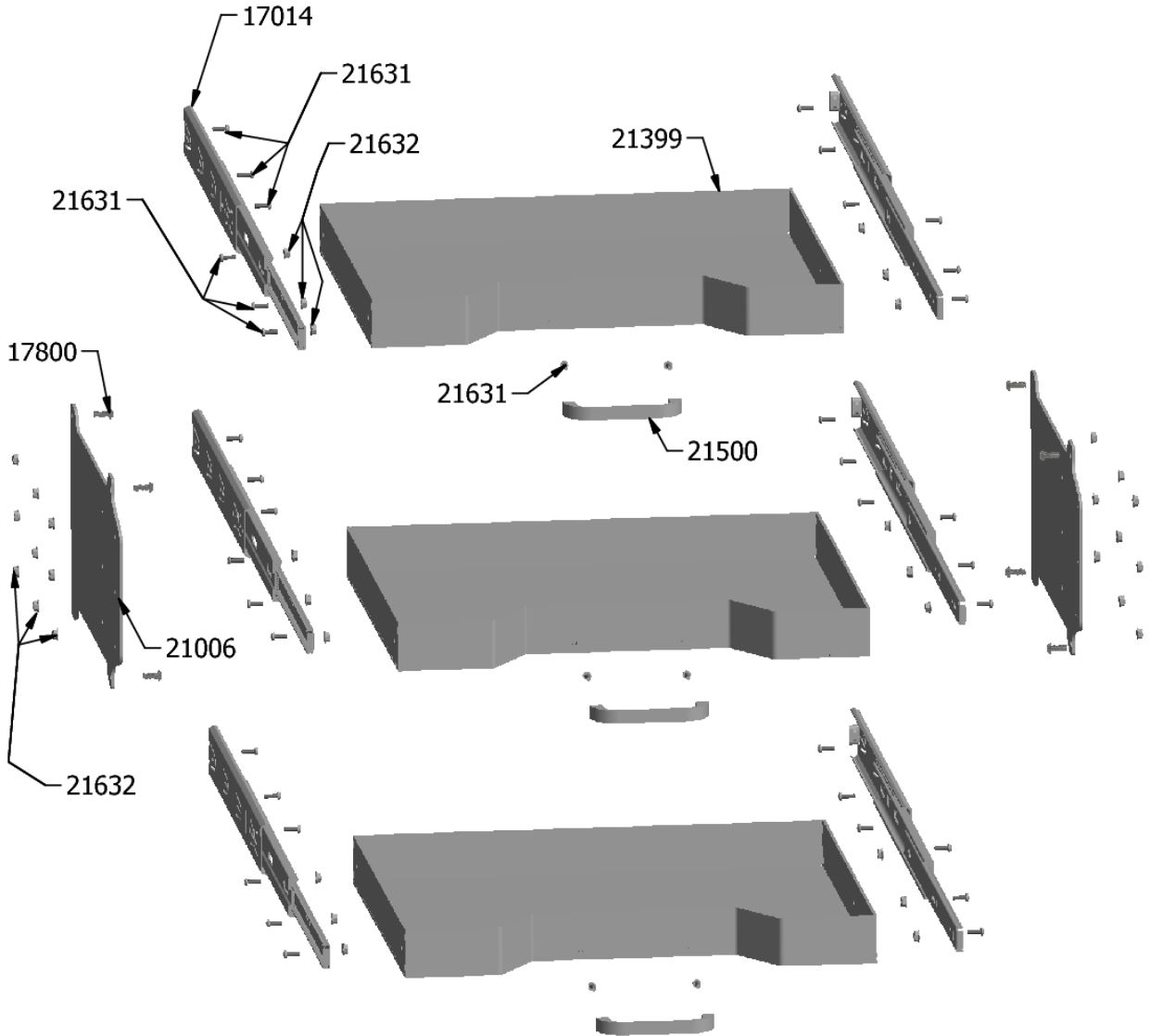
21662 68" Con Box - 20" Deep Double Drawer Kit



21661 PARTS LIST			21662 PARTS LIST		
Part #	Description	Qty	Part #	Description	Qty
20162	68" Single Drawer	1	21387	68" Triple Drawer	1
17014	16" Drawer Slide	2	21386	68" Double Drawer	1
21006	Drawer Mount Plate	2	17014	16" Drawer Slide	4
17800	1/4" x 5/8" Button Head	8	21006	Drawer Mount Plate	2
21631	8-32 x 1/2" Bolt	14	17800	1/4" x 5/8" Button Head	8
21632	8-32 Flange Lock Nut	12	21631	8-32 x 1/2" Bolt	28
21500	Pull Handle	1	21632	8-32 Flange Lock Nut	24
			21500	Pull Handle	2



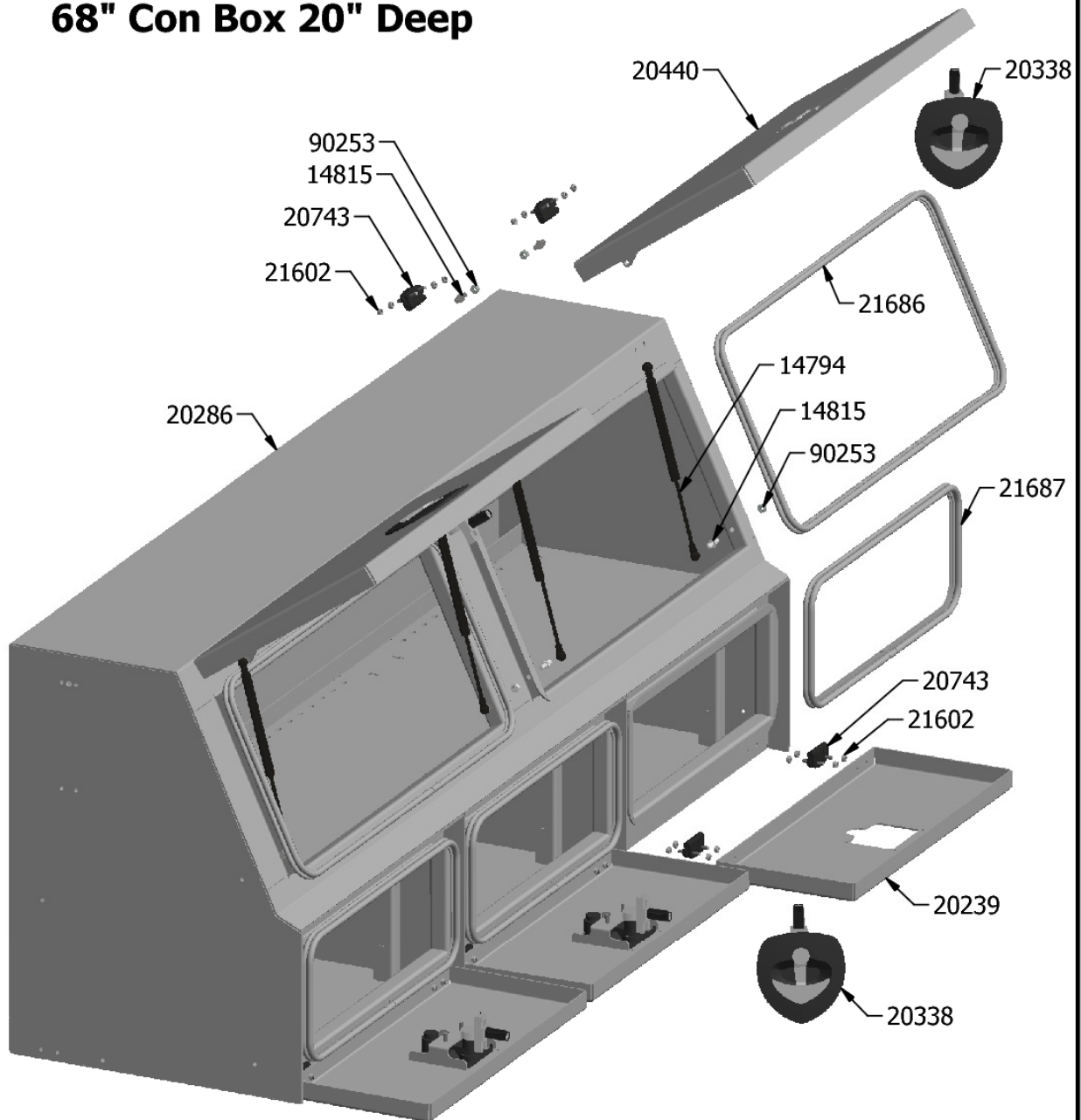
**21663
68" Con Box - 20" Deep
Triple Drawer Kit**



21663 PARTS LIST			21663 PARTS LIST		
Part #	Description	Qty	Part #	Description	Qty
21399	68" Single Drawer	3	21631	8-32 x 1/2" Bolt	42
17014	16" Drawer Slide	6	21632	8-32 Flange Lock Nut	36
21006	Drawer Mount Plate	2	21500	Pull Handle	3
17800	1/4" x 5/8" Button Head	8			



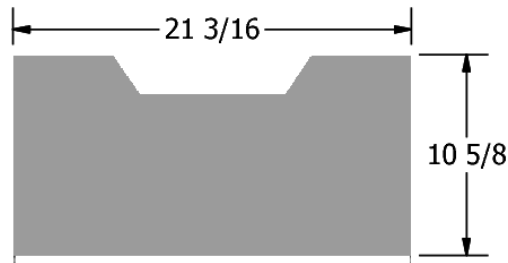
20334 68" Con Box 20" Deep



PARTS LIST			PARTS LIST		
Part #	Description	Qty	Part #	Description	Qty
20286	68 Con Box 20" deep	1	20743	Butt Hinge with studs	10
21686	Trim Seal 68" Top	2	21602	M6 Nylock Nut	40
21687	Trim Seal 68" Bottom	2	14815	Ball Stud 10mm x 1/2"	8
20338	Vector T-Handle	4	90253	5/16" Nut	8
20440	68" Top Door	2	14794	35l lb Gas Spring	4
20239	68" Bottom Door	3			

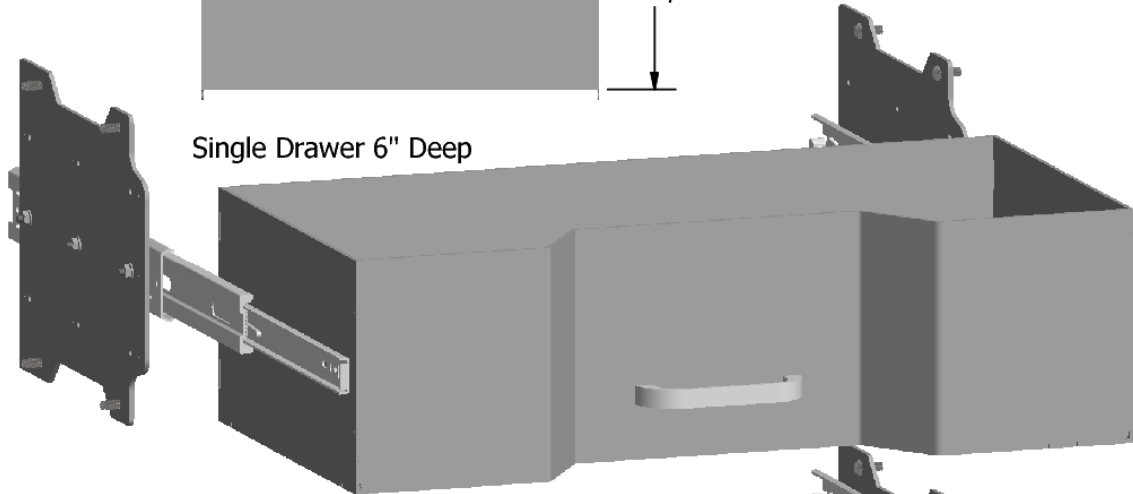


15" Toolboxes all have mounting brackets for drawers same mounting plate is used for all 3 setups

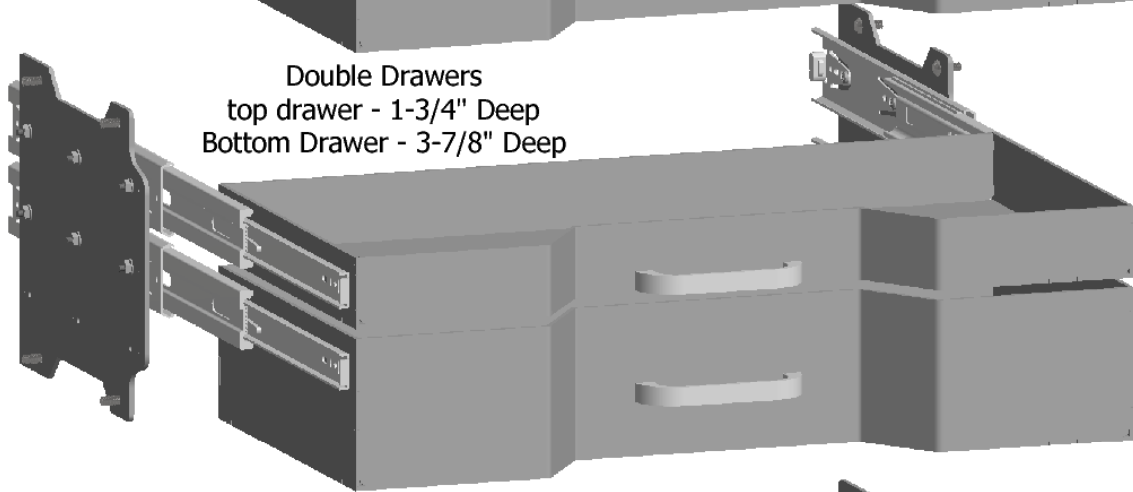


78" Con Box Only

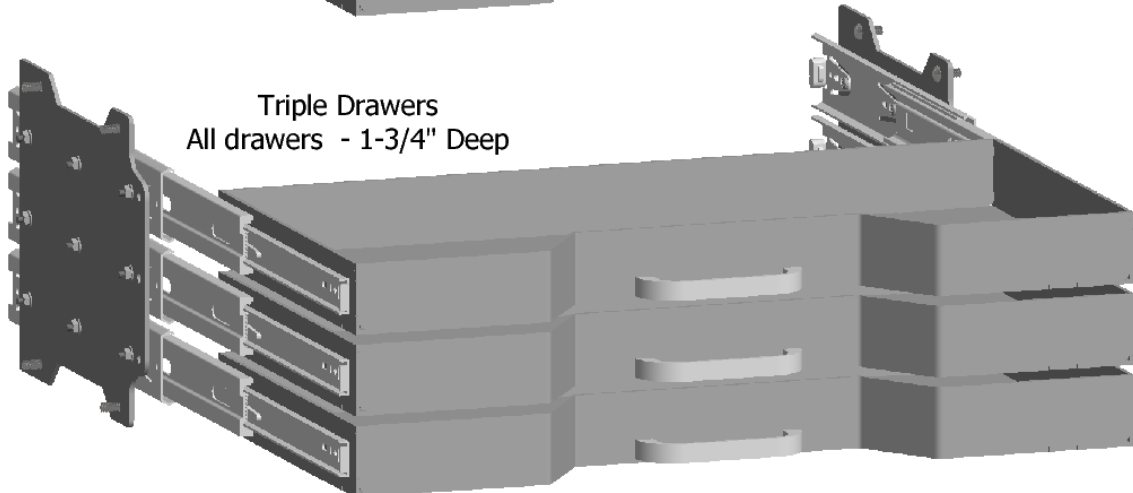
Single Drawer 6" Deep



Double Drawers
top drawer - 1-3/4" Deep
Bottom Drawer - 3-7/8" Deep

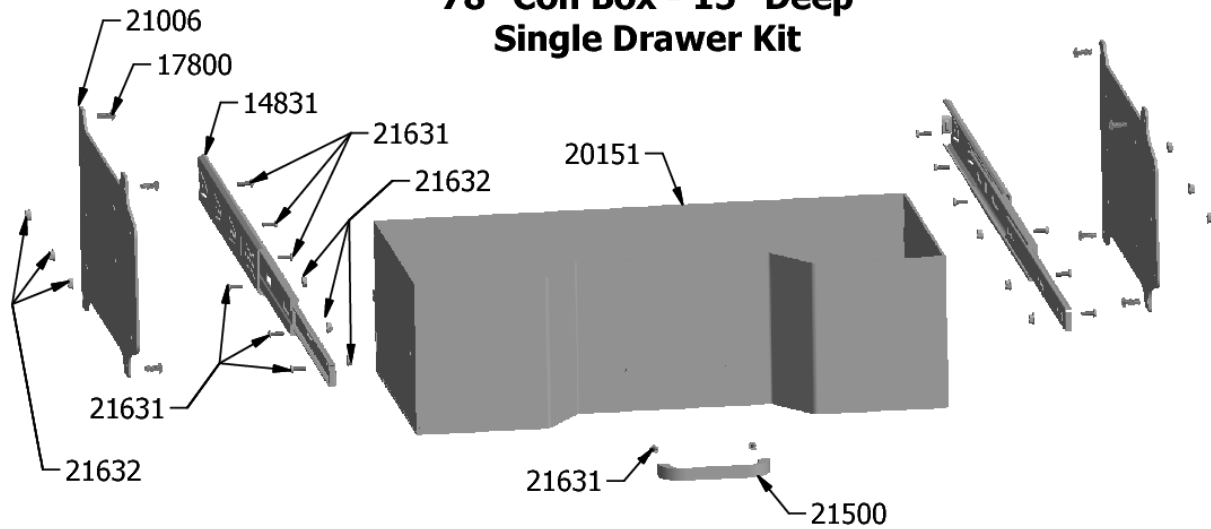


Triple Drawers
All drawers - 1-3/4" Deep

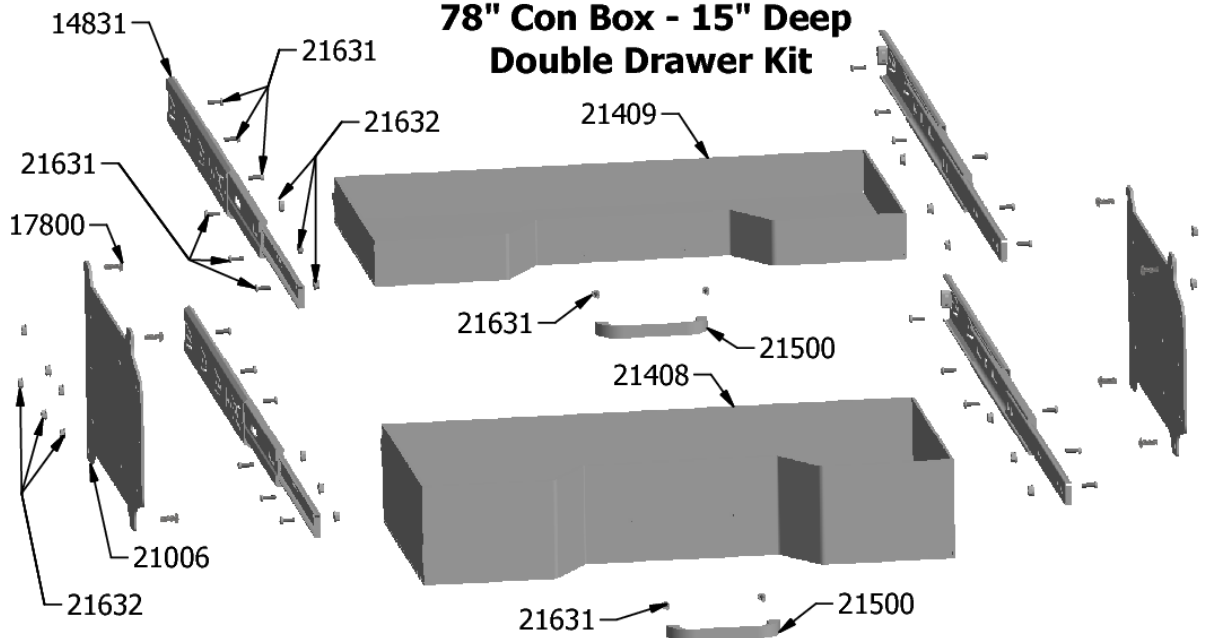




21664
78" Con Box - 15" Deep
Single Drawer Kit



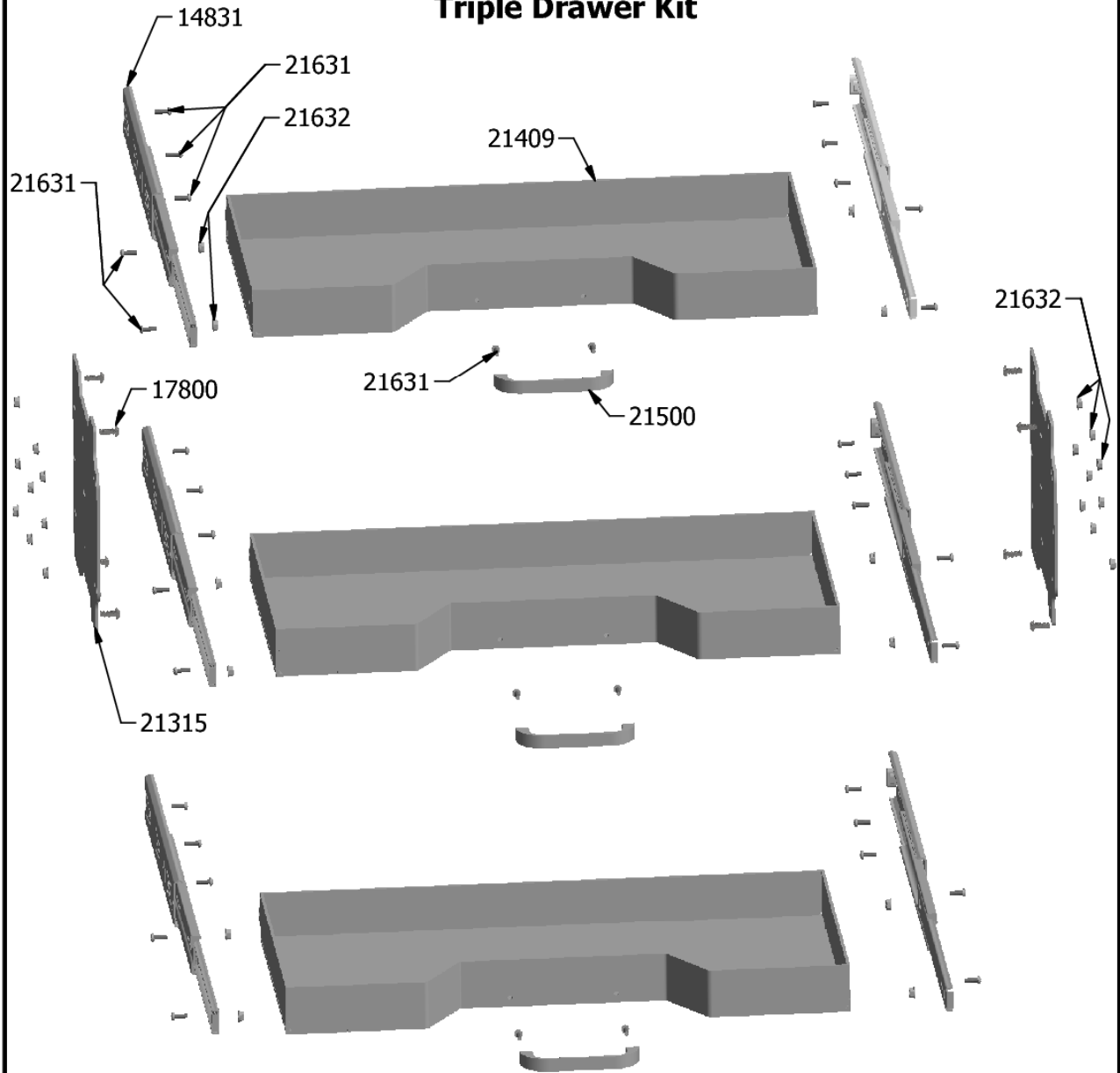
21665
78" Con Box - 15" Deep
Double Drawer Kit



21664 PARTS LIST			21665 PARTS LIST		
Part #	Description	Qty	Part #	Description	Qty
20151	78" Single Drawer	1	21409	78" RH Triple Drawer	1
14831	12" Drawer Slide	2	21408	78" RH Double Drawer	1
21006	Drawer Mount Plate	2	14831	12" Drawer Slide	4
17800	1/4" x 5/8" Button Head	8	21006	Drawer Mount Plate	2
21631	8-32 x 1/2" Bolt	12	17800	1/4" x 5/8" Button Head	8
21632	8-32 Flange Lock Nut	10	21631	8-32 x 1/2" Bolt	24
21500	Pull Handle	1	21632	8-32 Flange Lock Nut	20
			21500	Pull Handle	2



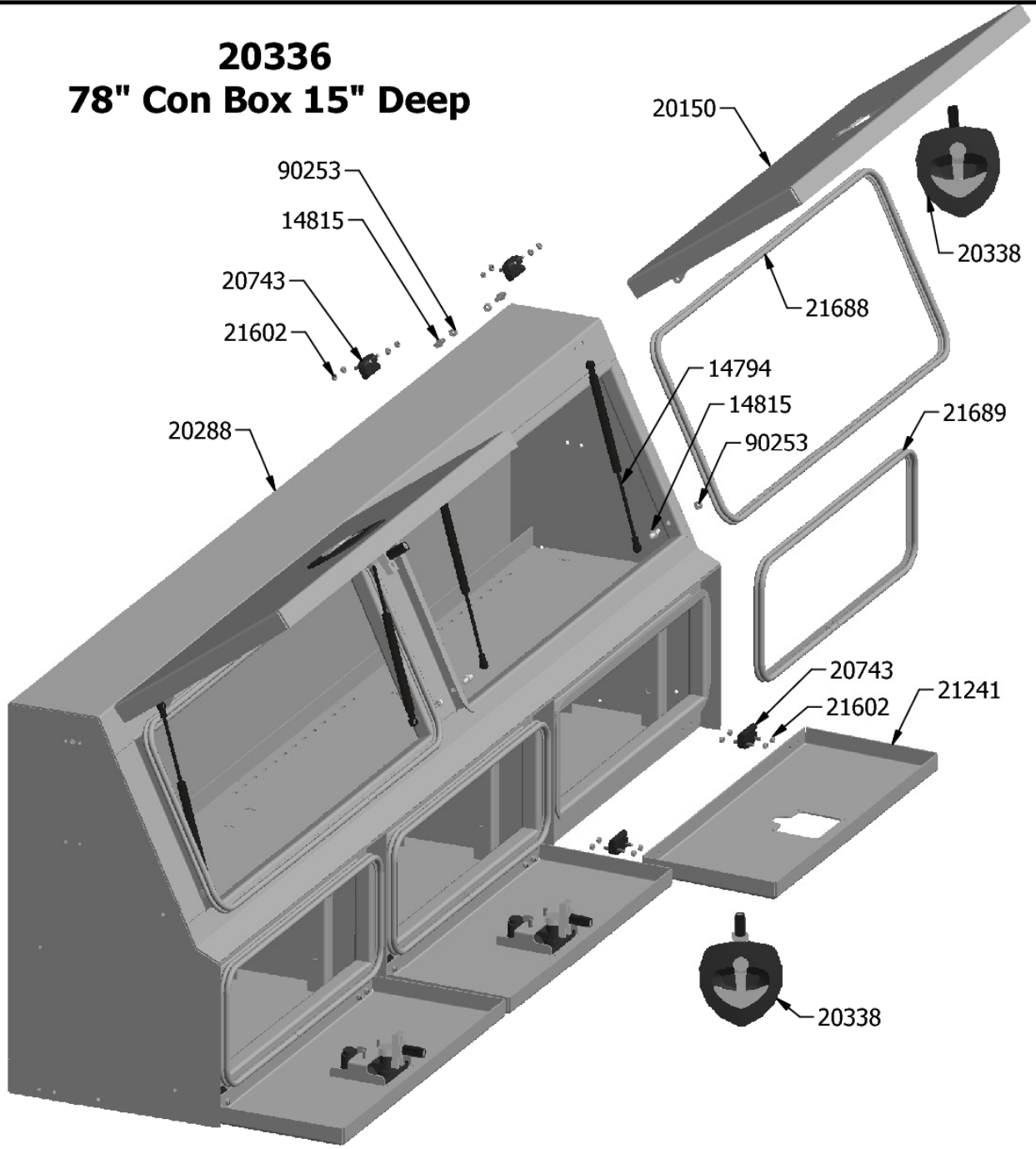
21666
78" Con Box - 15" Deep
Triple Drawer Kit



21666 PARTS LIST			21666 PARTS LIST		
Part #	Description	Qty	Part #	Description	Qty
21409	78" Single Drawer	3	21631	8-32 x 1/2" Bolt	36
14831	12" Drawer Slide	6	21632	8-32 Flange Lock Nut	30
21315	Drawer Mount Plate	2	21500	Pull Handle	3
17800	1/4" x 5/8" Button Head	8			



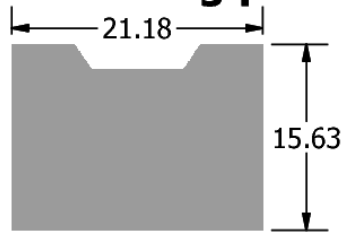
20336 78" Con Box 15" Deep



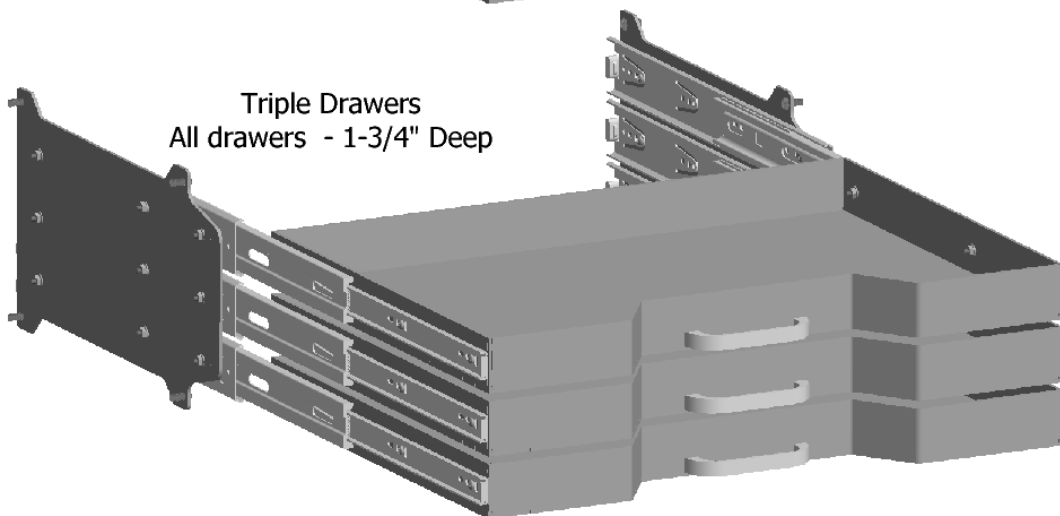
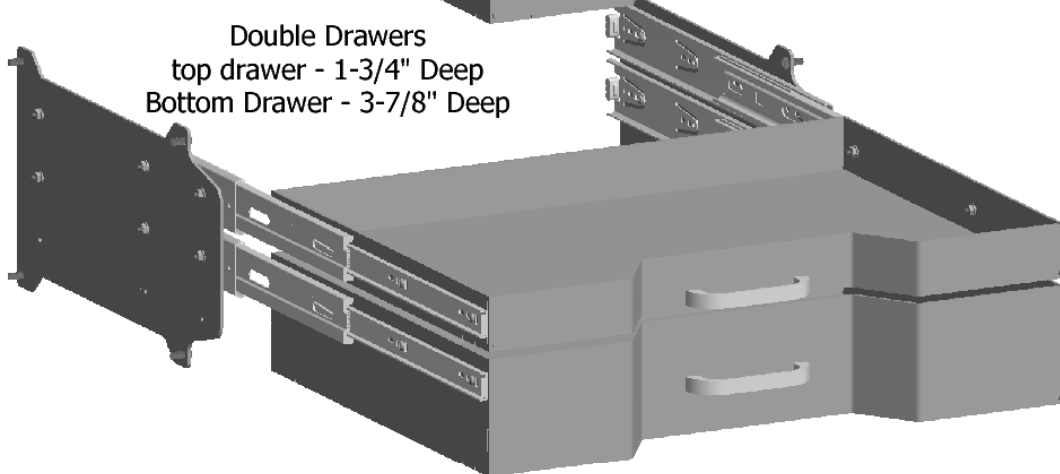
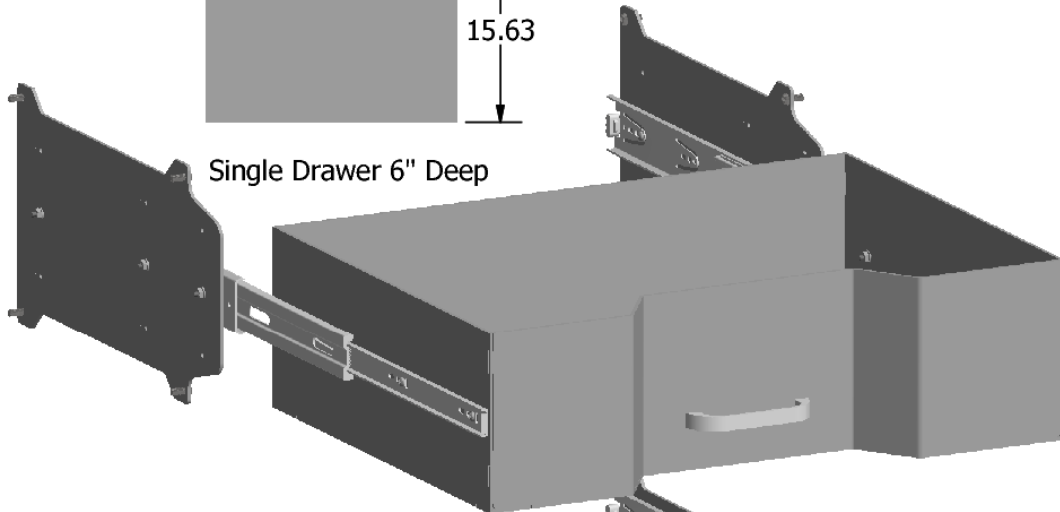
PARTS LIST			PARTS LIST		
Part #	Description	Qty	Part #	Description	Qty
20288	78 Con Box 15" deep	1	20743	Butt Hinge with studs	10
21688	Trim Seal 78" Top	2	21602	M6 Nylock Nut	40
21689	Trim Seal 78" Bottom	3	14815	Ball Stud 10mm x 1/2"	8
20338	Vector T-Handle	4	90253	5/16" Nut	8
20150	78" Top Door	2	14794	35l lb Gas Spring	4
21241	78" Bottom Door	3			



**20" Toolboxes all have mounting brackets for drawers
same mounting plate is used for all 3 setups**

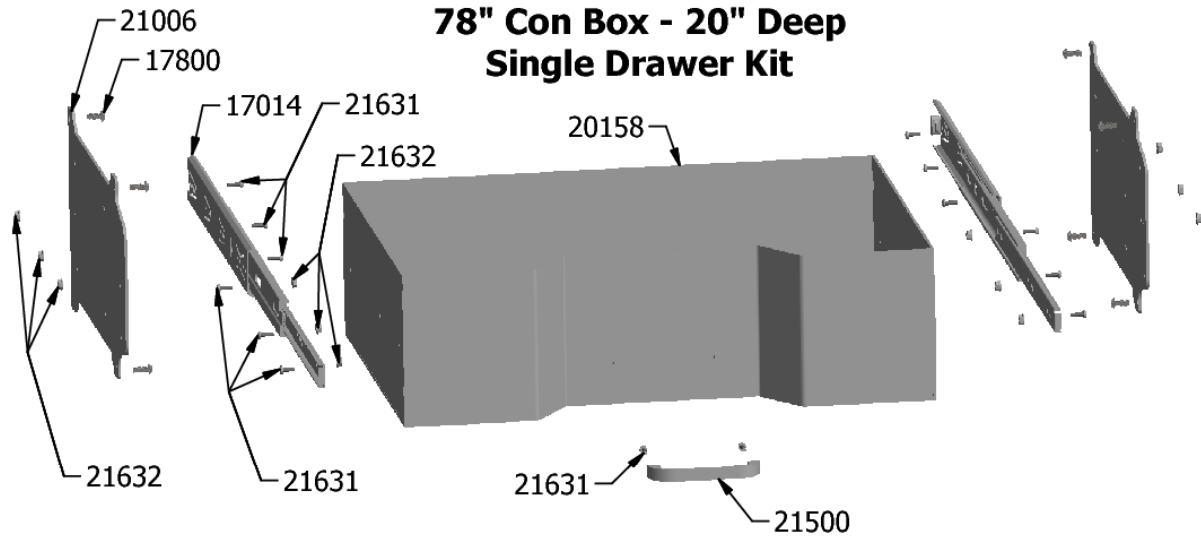


78" Con Box Only

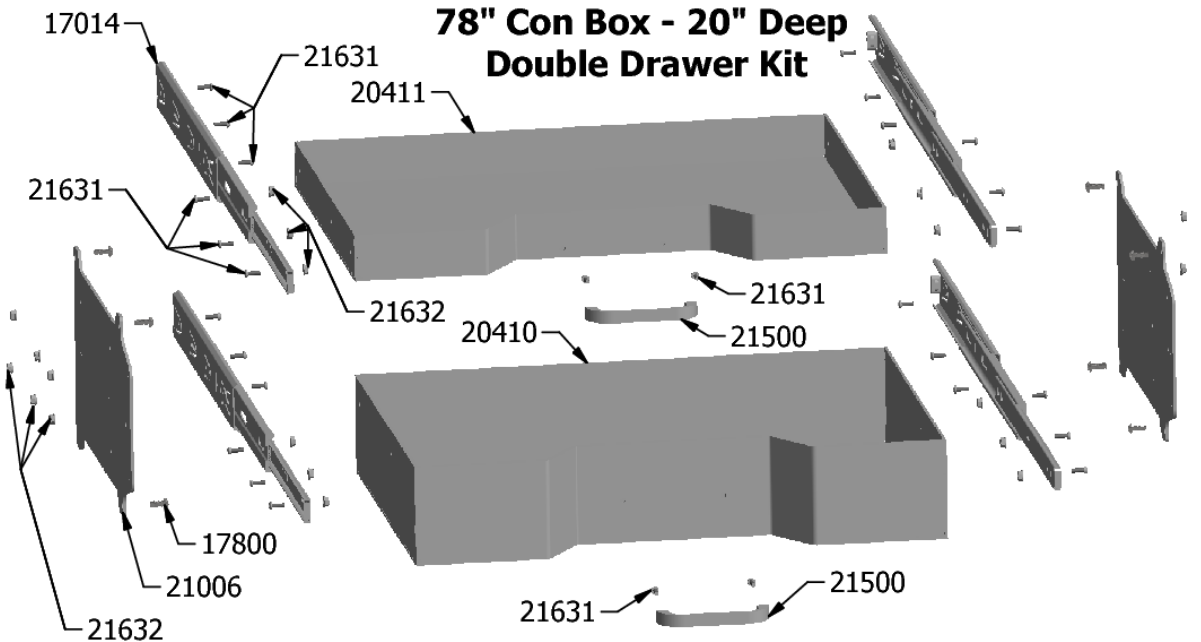




21667
78" Con Box - 20" Deep
Single Drawer Kit



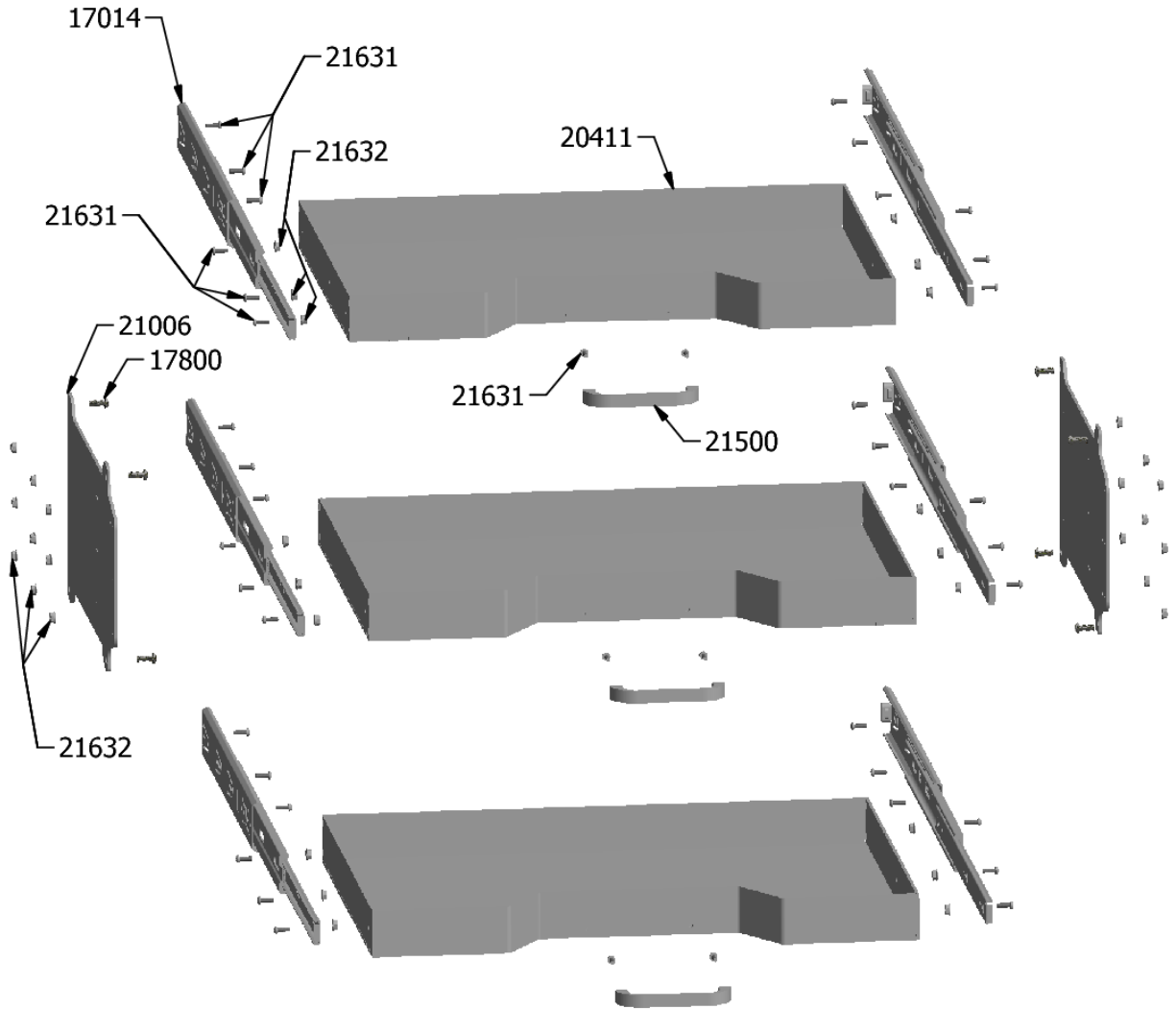
21668
78" Con Box - 20" Deep
Double Drawer Kit



21667 PARTS LIST			21668 PARTS LIST		
Part #	Description	Qty	Part #	Description	Qty
20158	78" Single Drawer	1	21411	78" Triple Drawer	1
17014	16" Drawer Slide	2	21410	78" Double Drawer	1
21006	Drawer Mount Plate	2	17014	16" Drawer Slide	4
17800	1/4" x 5/8" Button Head	8	21006	Drawer Mount Plate	2
21631	8-32 x 1/2" Bolt	14	17800	1/4" x 5/8" Button Head	8
21632	8-32 Flange Lock Nut	12	21631	8-32 x 1/2" Bolt	28
21500	Pull Handle	1	21632	8-32 Flange Lock Nut	24
			21500	Pull Handle	2



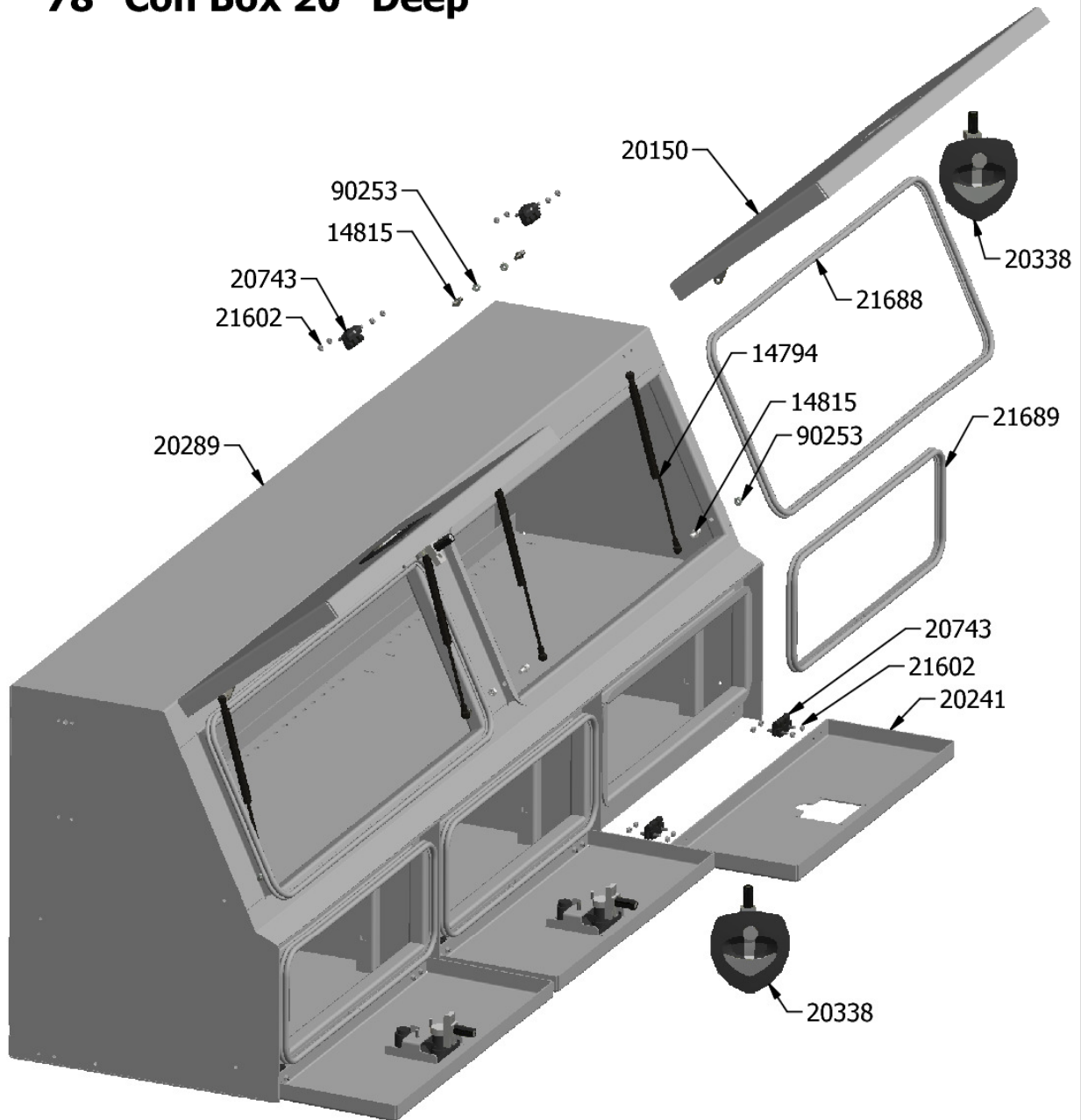
**21669
78" Con Box - 20" Deep
Triple Drawer Kit**



21669 PARTS LIST			21669 PARTS LIST		
Part #	Description	Qty	Part #	Description	Qty
21411	78" Single Drawer	3	21631	8-32 x 1/2" Bolt	42
17014	16" Drawer Slide	6	21632	8-32 Flange Lock Nut	36
21006	Drawer Mount Plate	2	21500	Pull Handle	3
17800	1/4" x 5/8" Button Head	8			



20337 78" Con Box 20" Deep



PARTS LIST			PARTS LIST		
Part #	Description	Qty	Part #	Description	Qty
20289	78 Con Box 20" deep	1	20743	Butt Hinge with studs	10
21688	Trim Seal 78" Top	2	21602	M6 Nylock Nut	40
21689	Trim Seal 78" Bottom	2	14815	Ball Stud 10mm x 1/2"	8
20338	Vector T-Handle	4	90253	5/16" Nut	8
20150	78" Top Door	2	14794	35l lb Gas Spring	4
20241	78" Bottom Door	3			