



*Quality Built Since 1973*

PIVOT TRACK CLOSER  
And  
ATTACHMENTS





## Standard Hydraulics

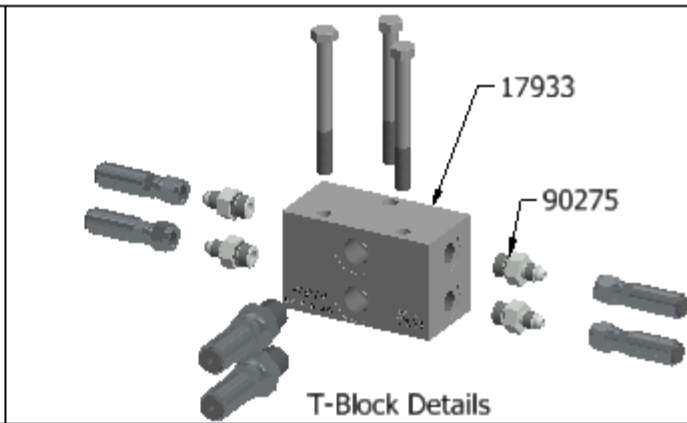
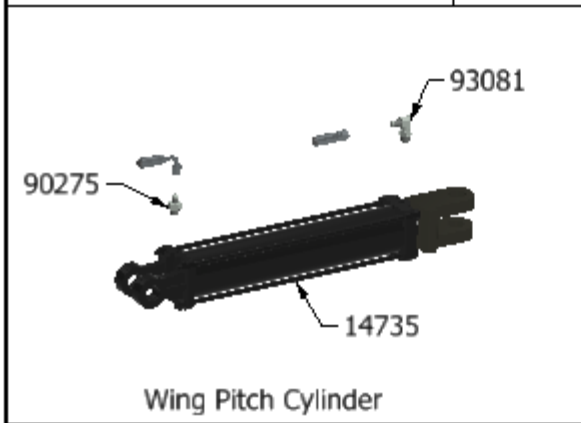
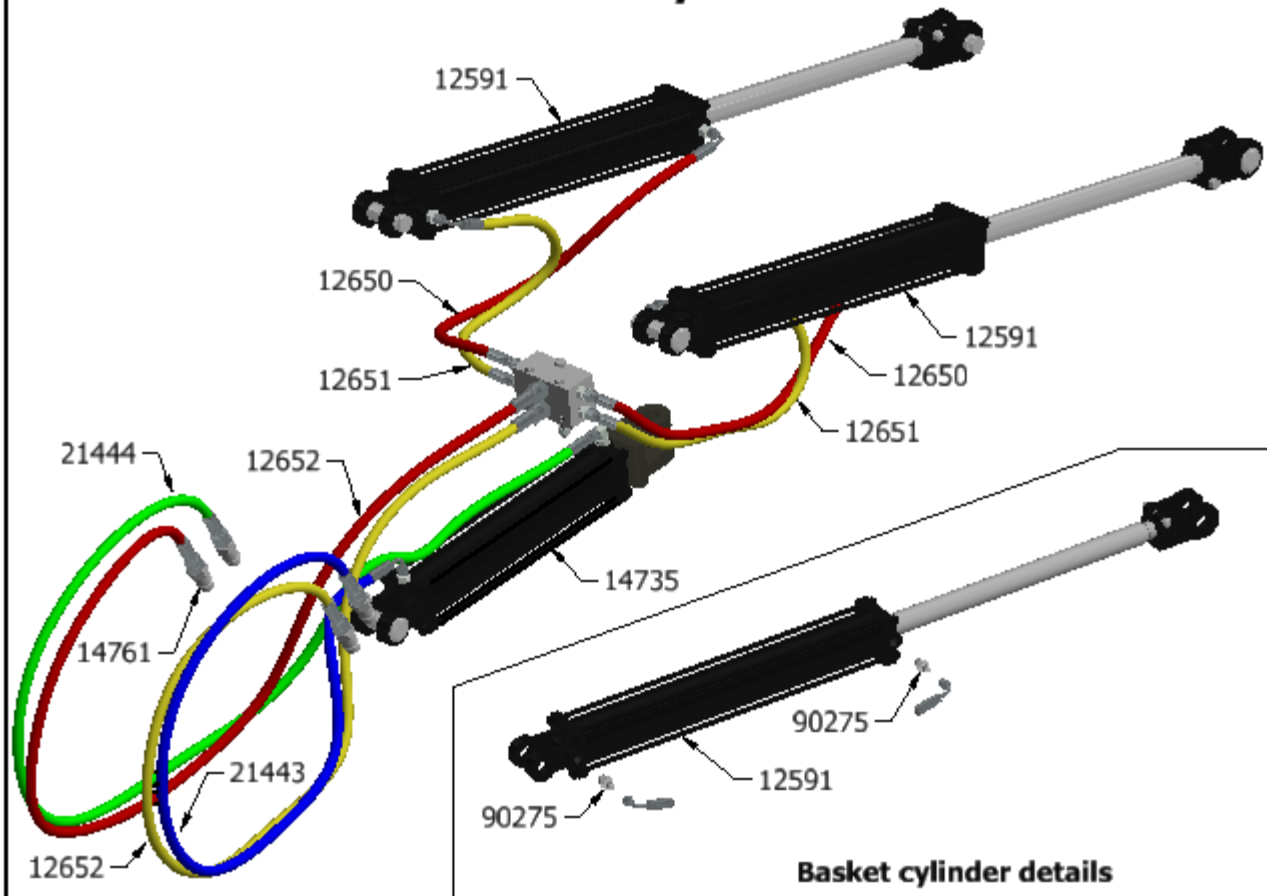
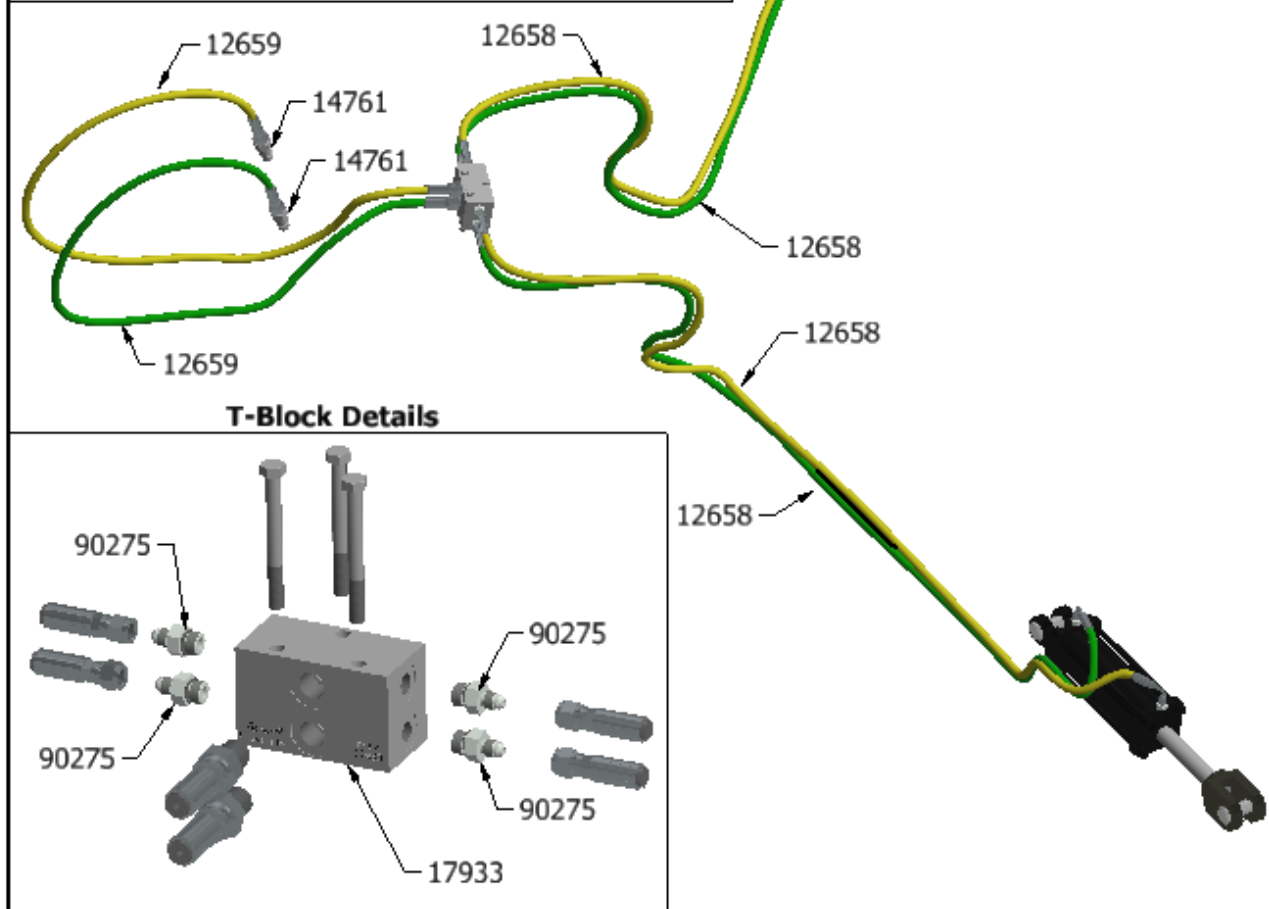
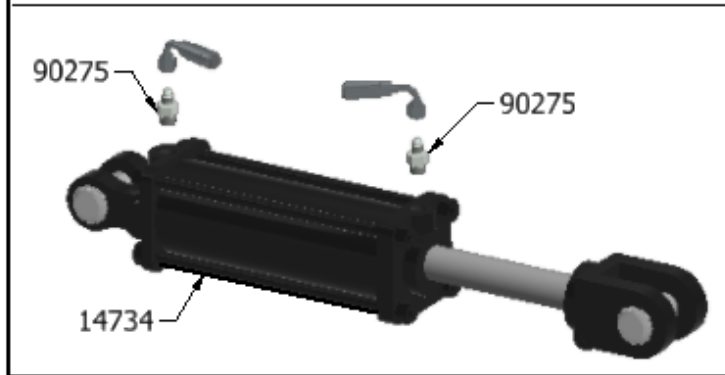


TABLE		
PART #	DESCRIPTION	QTY
14761	1/2" Oring Pioneer Poppet	4
21444	1/4" X 8MBOring-4 JIC female x 84	1
21443	1/4"x8MBOring-4JICfemale90 x 70	1
12652	1/4"x8MBOring-8MBOring x 82	2
17933	Hydraulic T- Block	1
90275	6 MBOring to 4 JIC Male Adapter	9

TABLE		
PART #	DESCRIPTION	QTY
12650	1/4" - 4 JIC to 4 JIC 90 x 35-1/8	2
12651	1/4" - 4 JIC to 4 JIC 90 x 23-3/8	2
12591	2-1/2" x 18" Hydraulic Cylinder	2
14735	2-1/2" x 12" Hydraulic Cylinder	1
93081	6 MBOring to 4 JIC Male 90 Adapter	1

# FOLDING WING HYDRAULICS

## Cylinder Details



## T-Block Details

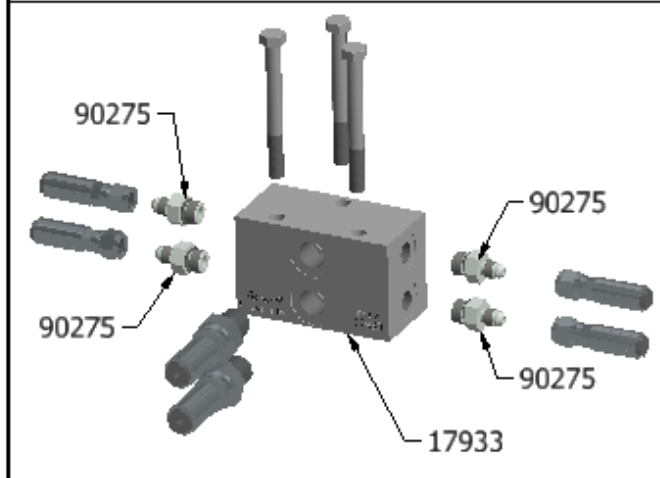
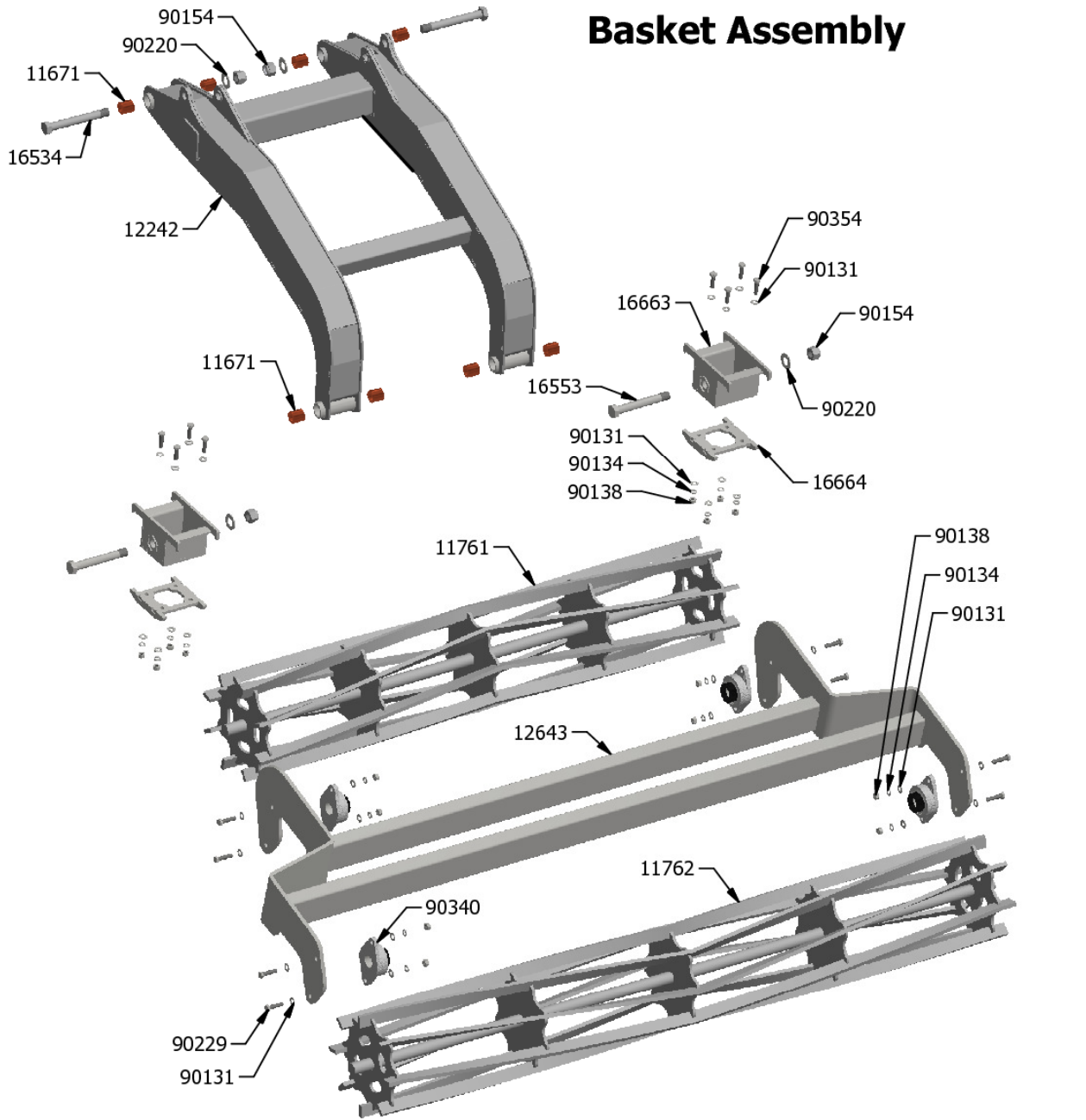


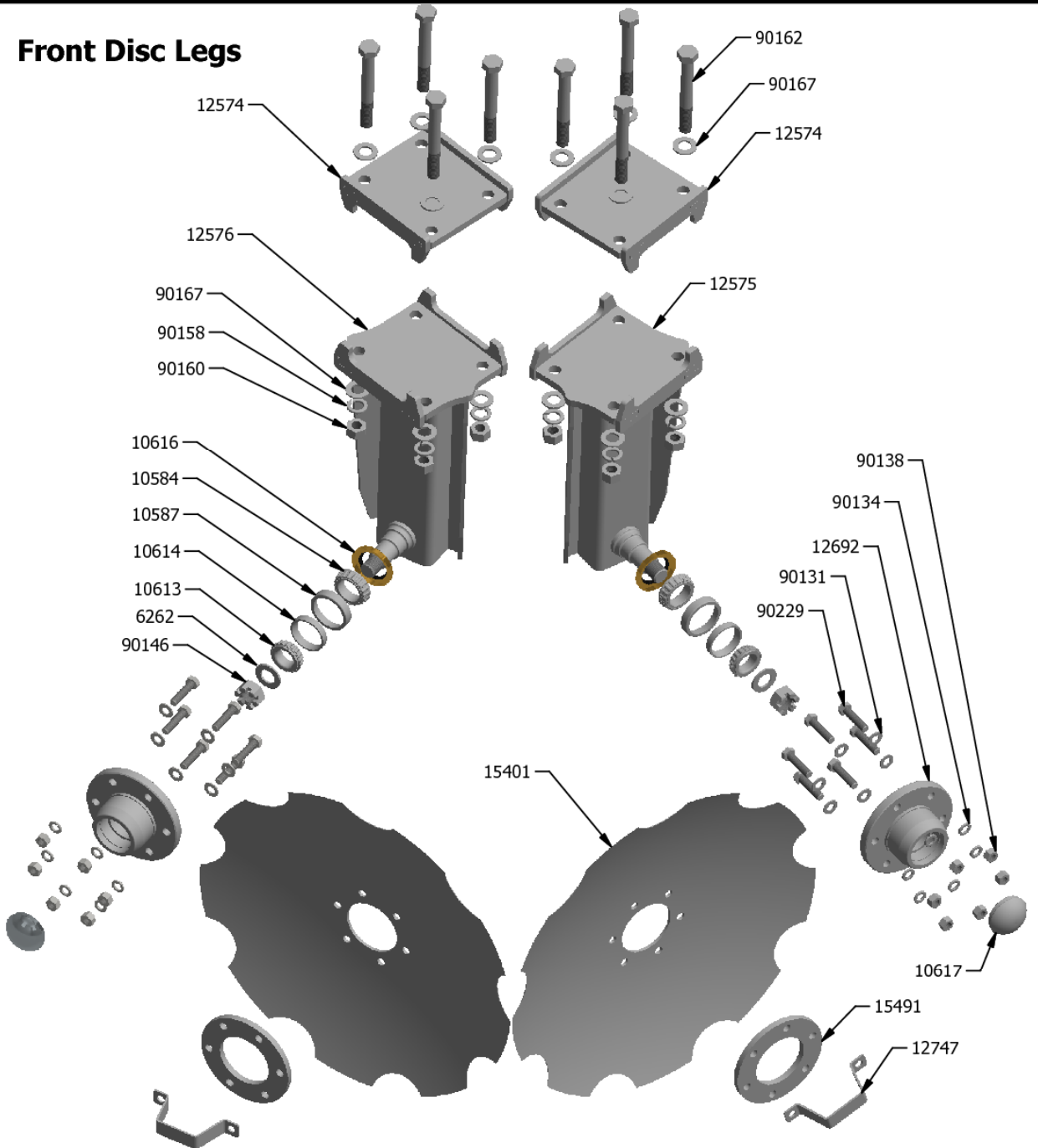
TABLE			TABLE		
PART #	DESCRIPTION	QTY	PART #	DESCRIPTION	QTY
14761	1/2" Oring Pioneer Poppet	2	90275	6 MBOring to 4 Male JIC Adapter	8
12659	1/4" X 8MBOring to 8MBOring x 74	2	12658	1/4" X 4 JIC Female to 4 JIC 90 x 74	4
17933	Hydraulic T- Block	1	14734	3" x 6" Hydraulic Cylinder	2

# Basket Assembly



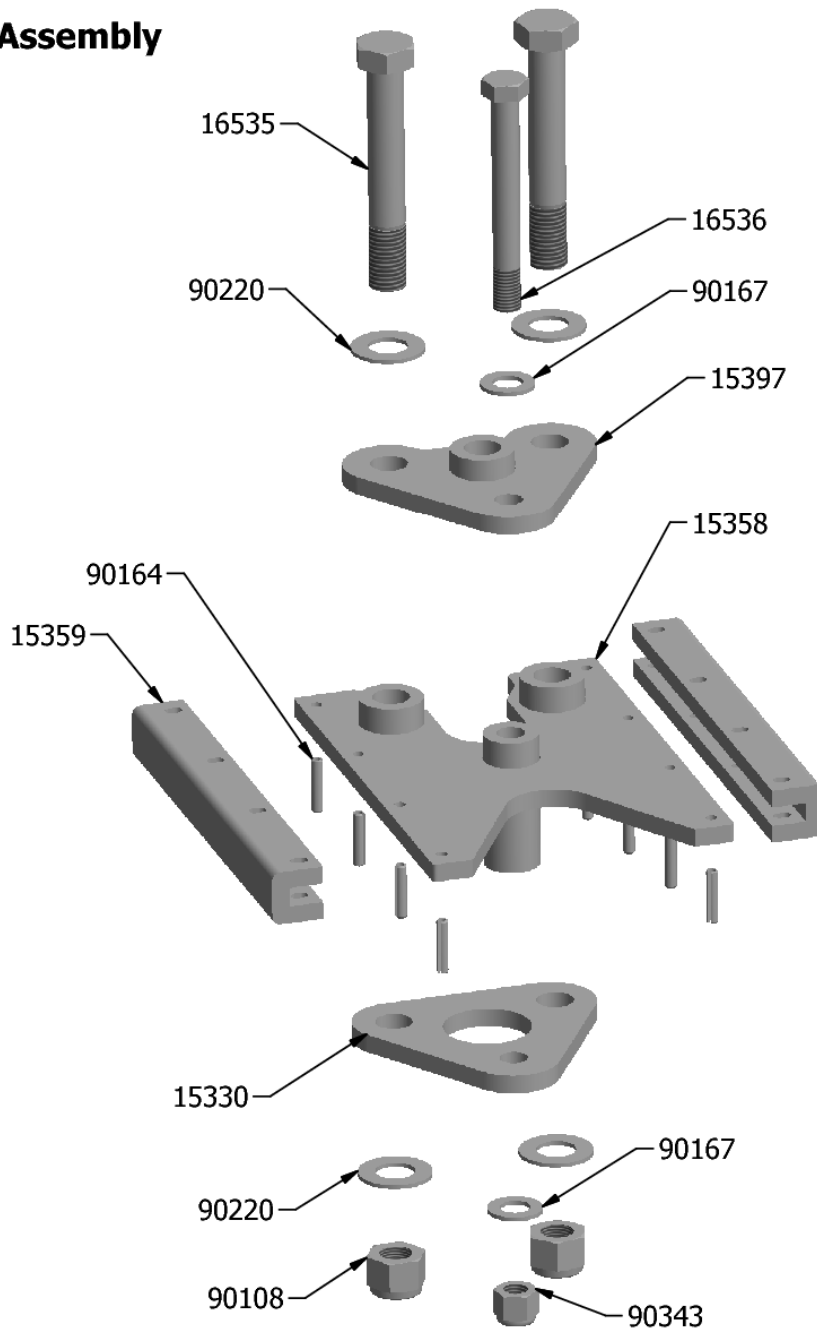
Parts			Parts		
Part #	Description	Qty	Part #	Description	Qty
12242	Basket Arm	1	16533	1" x 9" Cut to 7-3/8"	2
12643	Basket Frame	1	90220	1" washer	4
11761	6' Roller Basket	1	90154	1" Nylock Nut	4
11762	7'6" Roller Basket	1	90354	1/2" x 1-3/4"	8
16663	Clamp Top	2	90229	1/2" x 2"	8
16664	Clamp Bottom	2	90131	1/2" Flat washer	32
11761	Bronze Bushing	8	90134	1/2" Lock Washer	16
90340	1-1/2" 2 bolt Bearing	4	90138	1/2" Nut	16
16534	1" x 9-1/2" Cut to 6-3/8"				

# Front Disc Legs



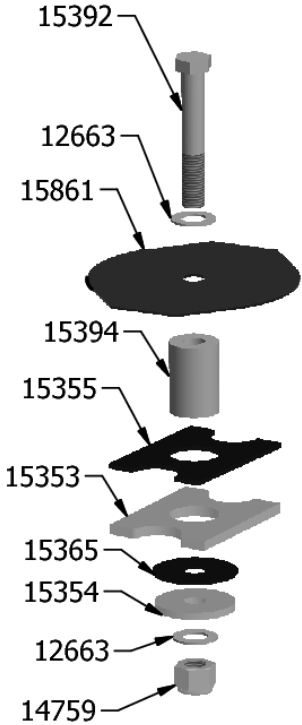
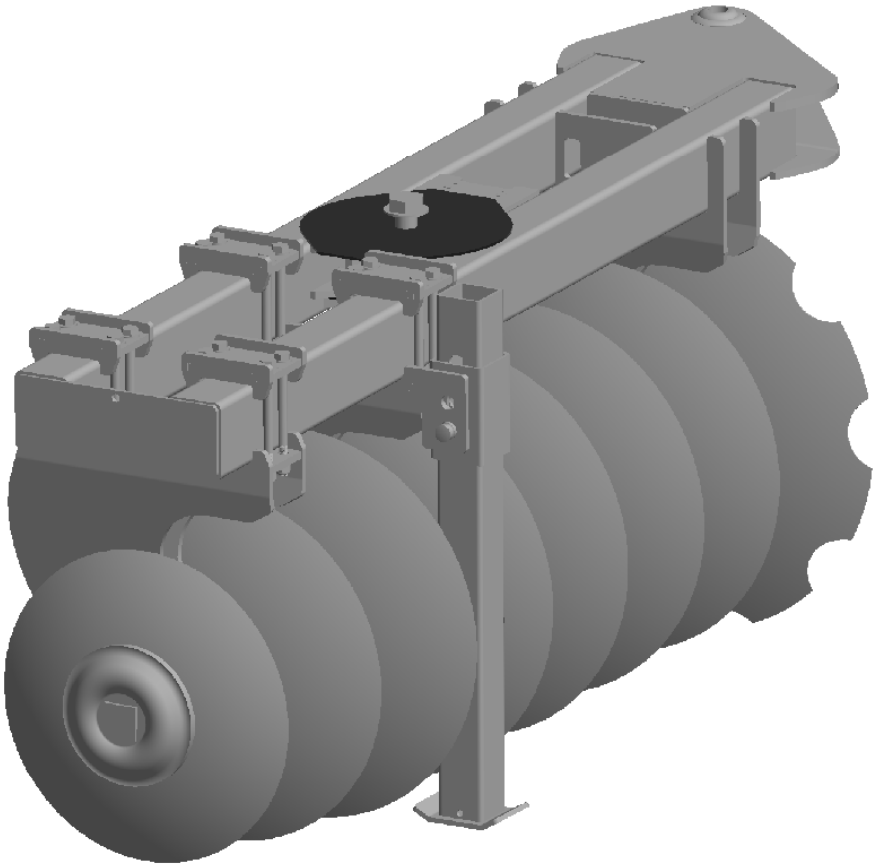
Parts			Parts			Parts		
Part #	Description	Qty	Part #	Description	Qty	Part #	Description	Qty
12574	Leg Clamp Top	2	90167	3/4" Flat Washer	16	90931	Thrust Washer	2
12576	RH Front Leg	1	90158	3/4" Lock Washer	8	90146	Castle Nut	2
12575	LH Front Leg	1	90160	3/4" Nut	8	90229	1/2" x 2" Bolt	12
12692	Hub	2	10616	Seal	2	90131	1/2" Flat Washer	12
15401	22" notched disc	2	10584	Outer Bearing	2	90134	1/2" Lock Washer	12
15491	Spacer Plate	2	10587	Outer Race	2	90138	1/2" Nut	12
12747	Dust Cap Guard	2	10614	Inner Race	2	10617	Dust Cap	2
90162	3/4" X 6" Bolt	8	10613	Inner Bearing	2			

## Slide Assembly



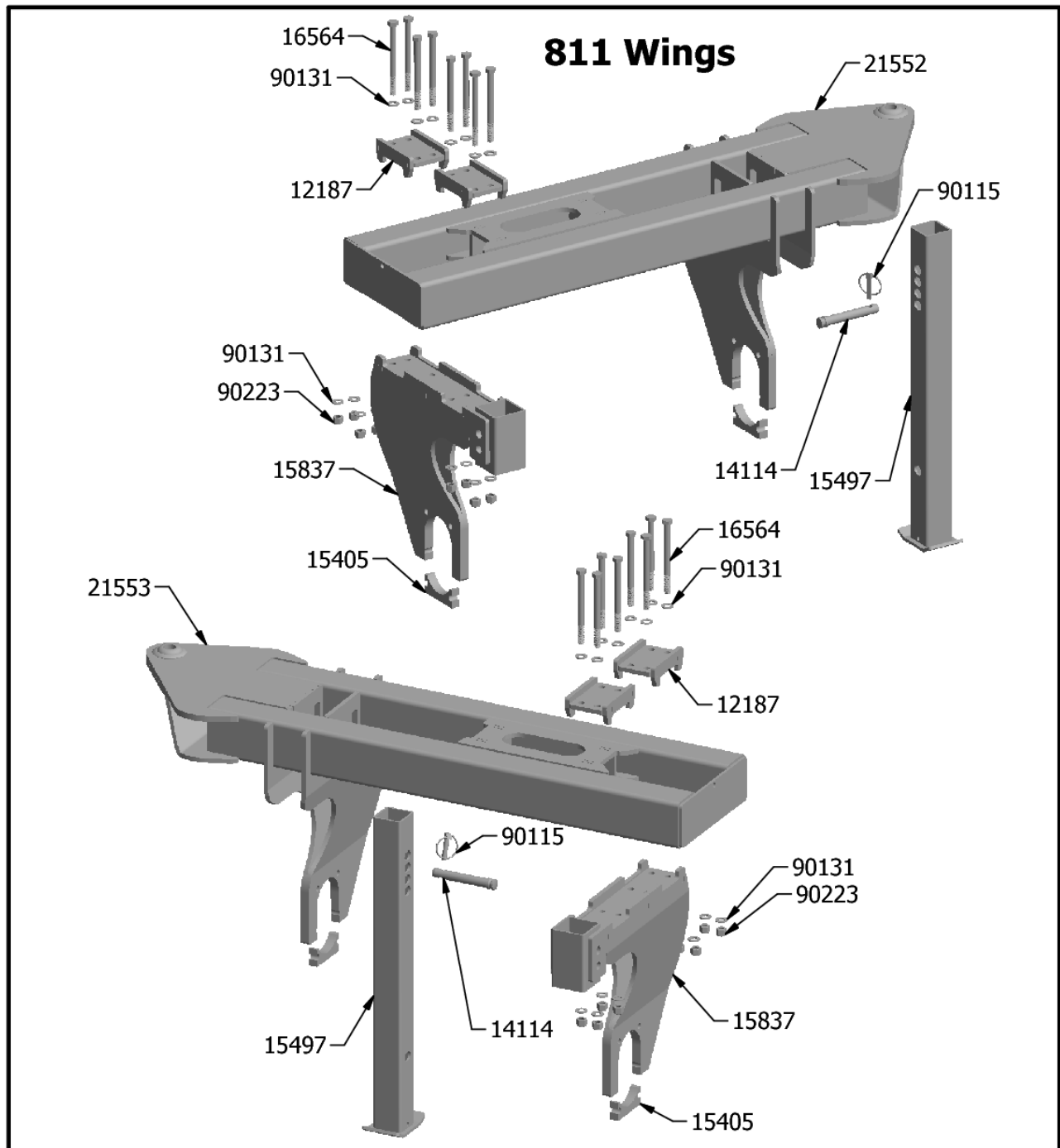
Parts			Parts		
Part #	Description	Qty	Part #	Description	Qty
15397	Cylinder Mount Plate	1	15536	3/4" x 7" Cut to 6-1/8"	1
15358	Slide Plate	1	90167	3/4" Flat Washer	2
15359	Black UHMW Plastic Slides	2	90164	5/16" x 1-1/2" Roll Pin	8
15330	Bottom Slide plate	1	90108	1" Nylock Nut	2
16535	1" x 7-1/2" Cut to 6-3/8"	2	90343	3/4" Nylock Nut	1
90220	1" Flat Washer	4			

# Wing Pivot Parts



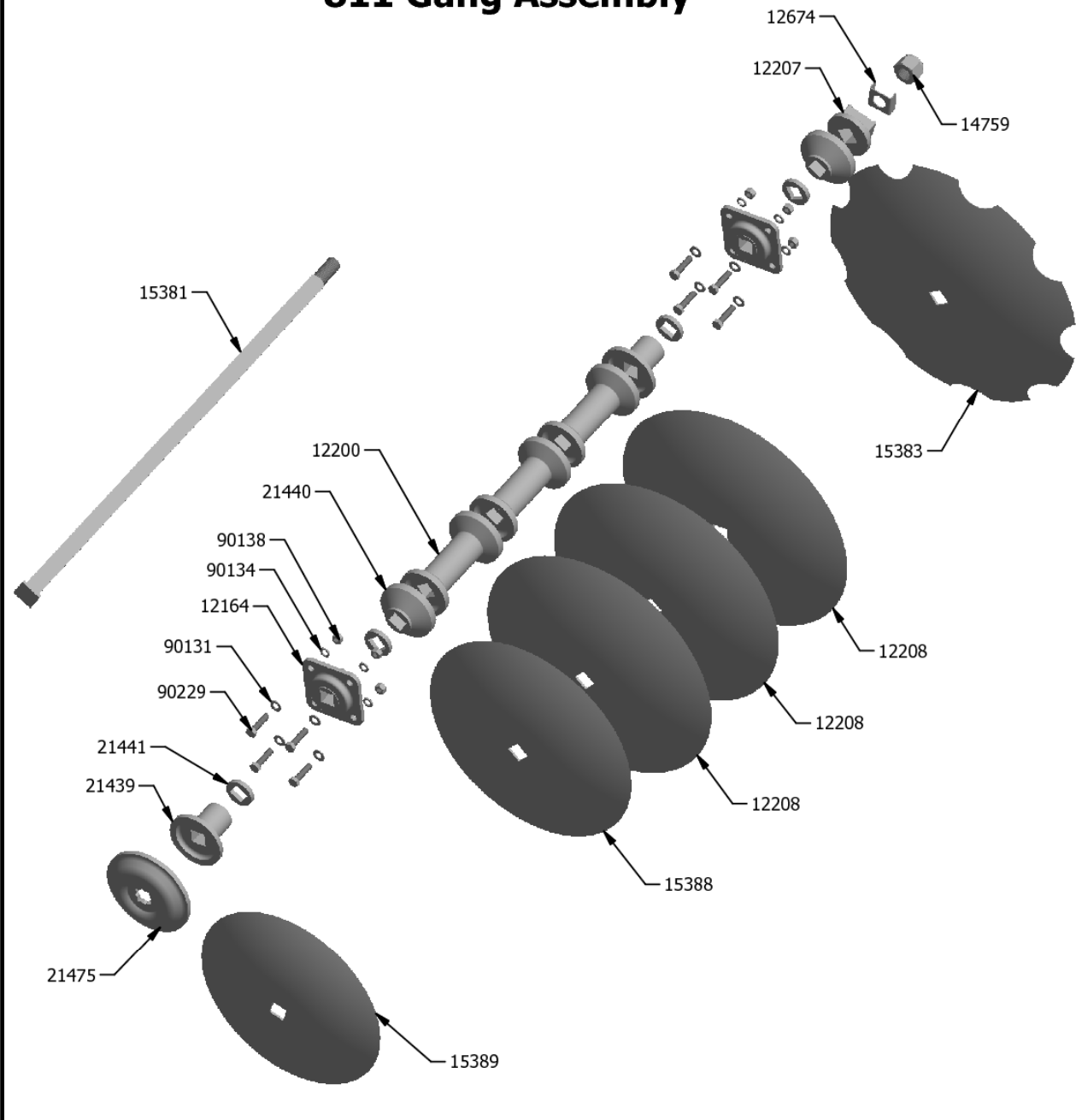
Parts			Parts		
Part #	Description	Qty	Part #	Description	Qty
15392	1-1/8" x 7" Bolt	1	15353	Support Plate	1
12663	1-1/8" Flat washer	2	15365	Plastic Wear Plate	1
15861	Plastic Wear Plate	1	15354	Support Plate	1
15394	Roller Guide	1	14759	1-1/8" Nylock Nut	1
15355	Plastic Slide Plate	1			



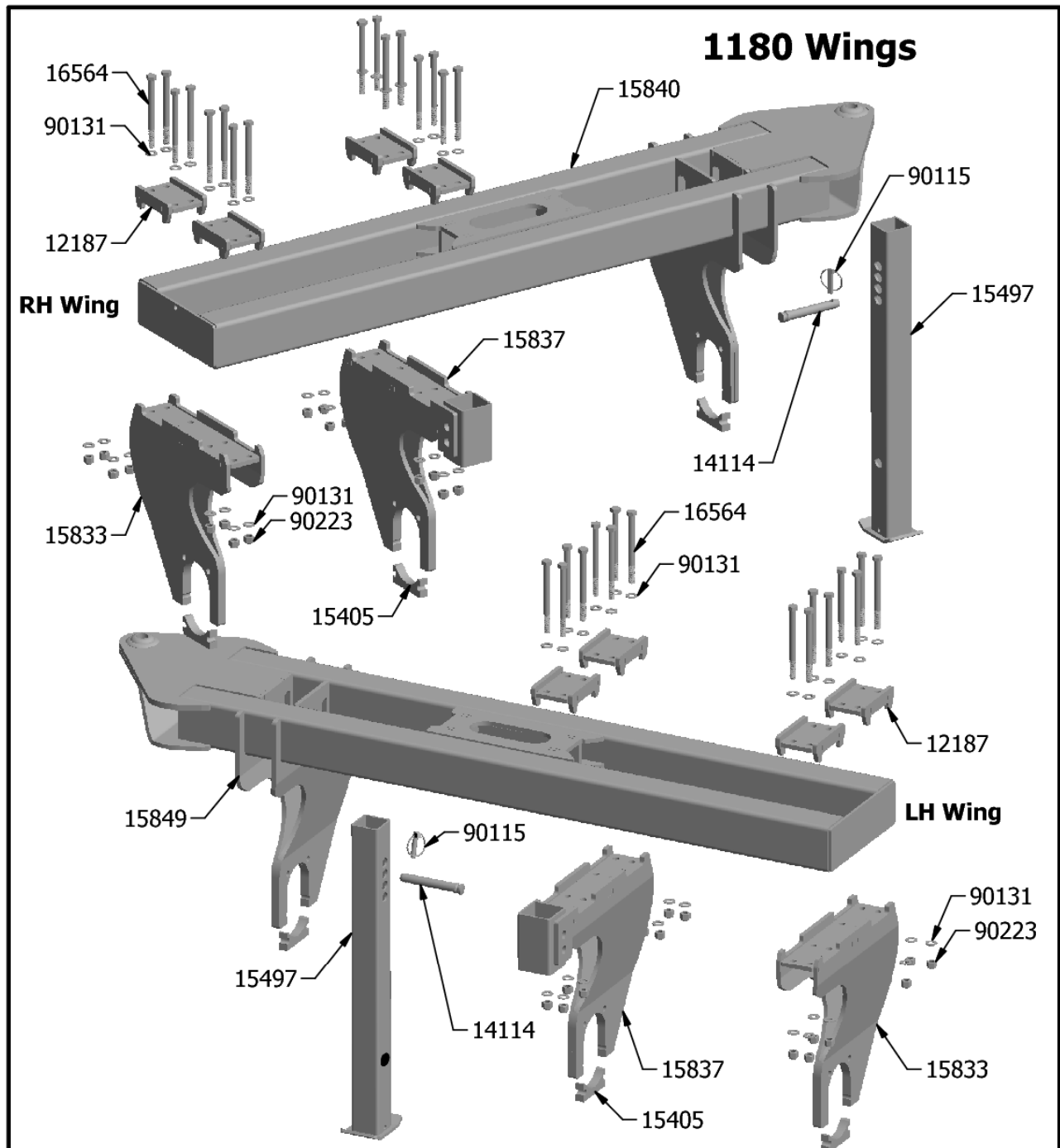


Parts			Parts		
Part #	Description	Qty	Part #	Description	Qty
21552	RH Wing	1	14114	Cat 1 Pin	2
21553	LH Wing	1	90115	7/16" x 1-1/2" Lynch Pin	2
15837	Leg Bottom with Stand	2	16564	1/2" x 6" Bolt	16
12187	Leg Top Clamp	4	90131	1/2" Flat Washer	32
15497	Stand Leg	2	90223	1/2" Nylock Nut	16
15405	Bearing Keeper	4			

# 811 Gang Assembly

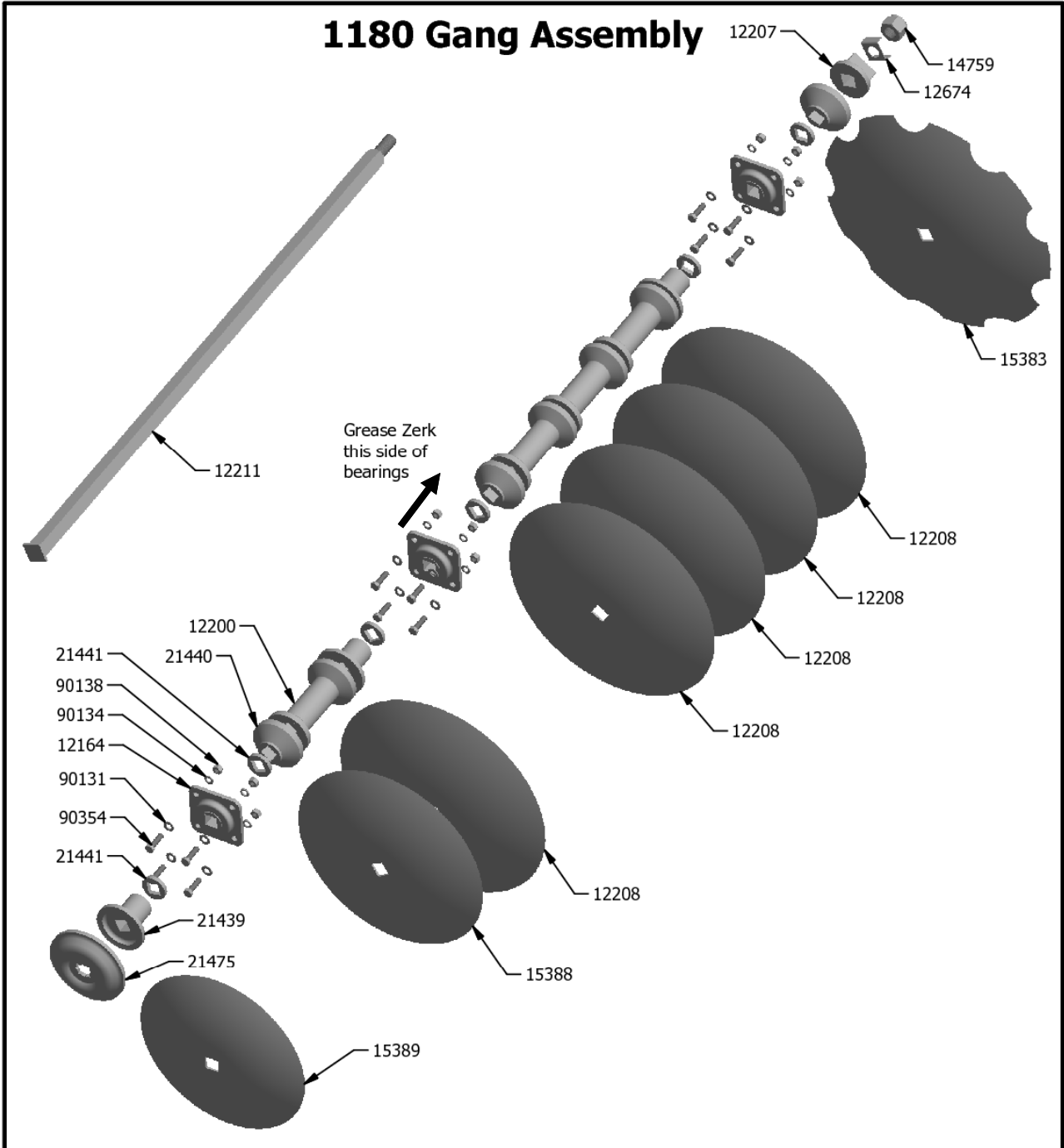


Parts			Parts		
Part #	Description	Qty	Part #	Description	Qty
15383	22" Notched Disc Blade	1	12200	7-1/2" Spool	3
12208	20" Disc Blade	3	15831	1-1/8" Square Axle 41.75"	1
15388	18" Disc Blade	1	90354	1/2" x 1-3/4" Bolt	8
15389	16" Disc Blade	1	90131	1/2" Flat Washer	8
21475	Spring Washer	1	90134	1/2" Lock Washer	8
21439	4" Half Spool	2	90138	1/2" Nut	8
21441	Spacer	4	12207	Locking Coller	1
12164	1-1/8" Square Bearing	2	12674	Locking Plate	1
21440	1-5/8" Half Spool	2	14759	1-1/8" Nylock Nut	1

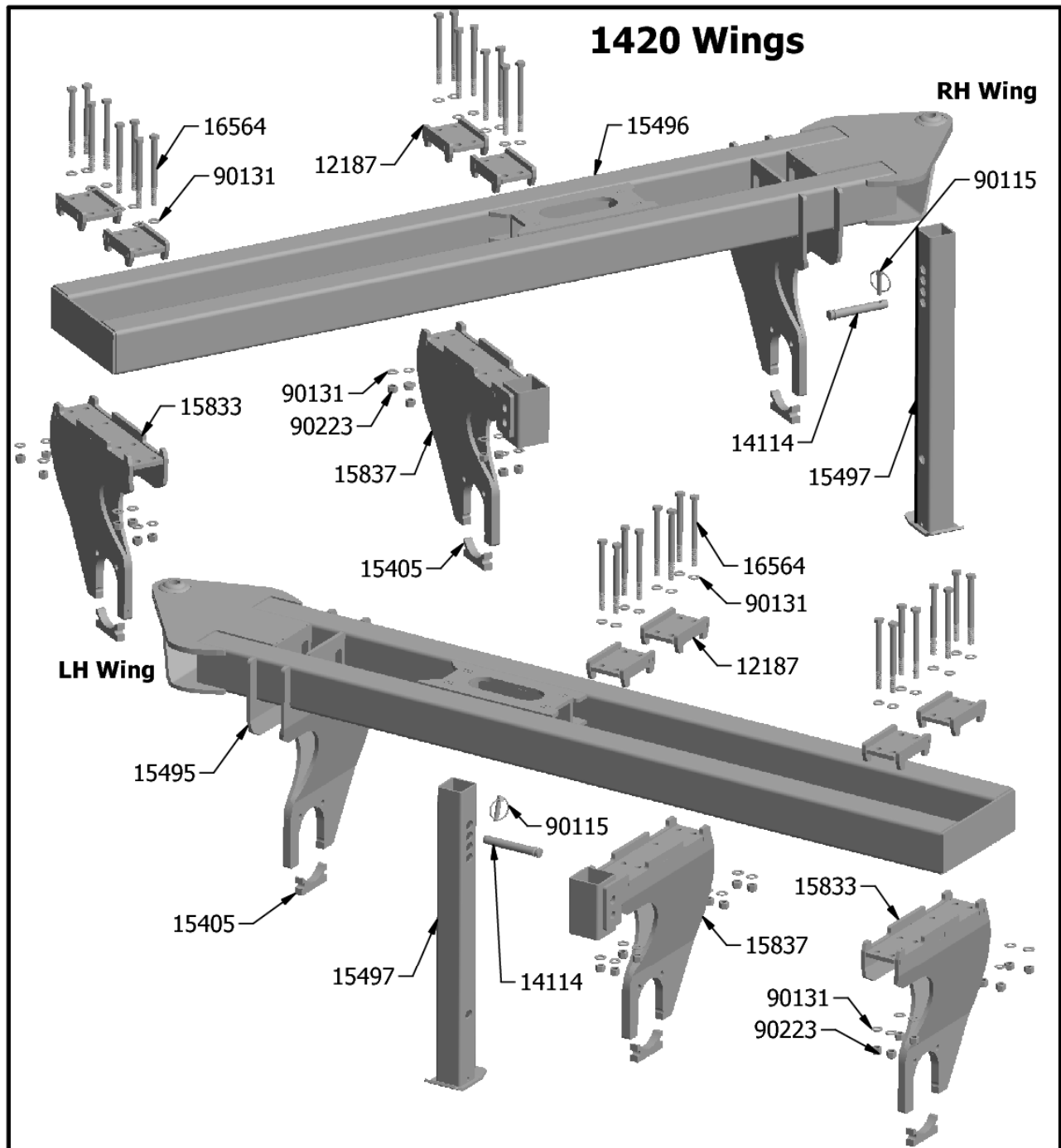


Parts			Parts		
Part #	Description	Qty	Part #	Description	Qty
15840	RH Wing - 1180	1	16564	1/2" x 6" Bolt	32
15849	LH Wing - 1180	1	90131	1/2" Washer	64
15837	Leg Bottom with stand	2	90223	1/2" Nylock Nut	32
15833	Leg Bottom	2	14114	Cat 1 Pin	2
12187	Leg Top Clamp	8	90115	7/16" x 1-1/2" Lynch Pin	2
15497	Stand Leg	2	15405	Bearing Keeper	6

# 1180 Gang Assembly

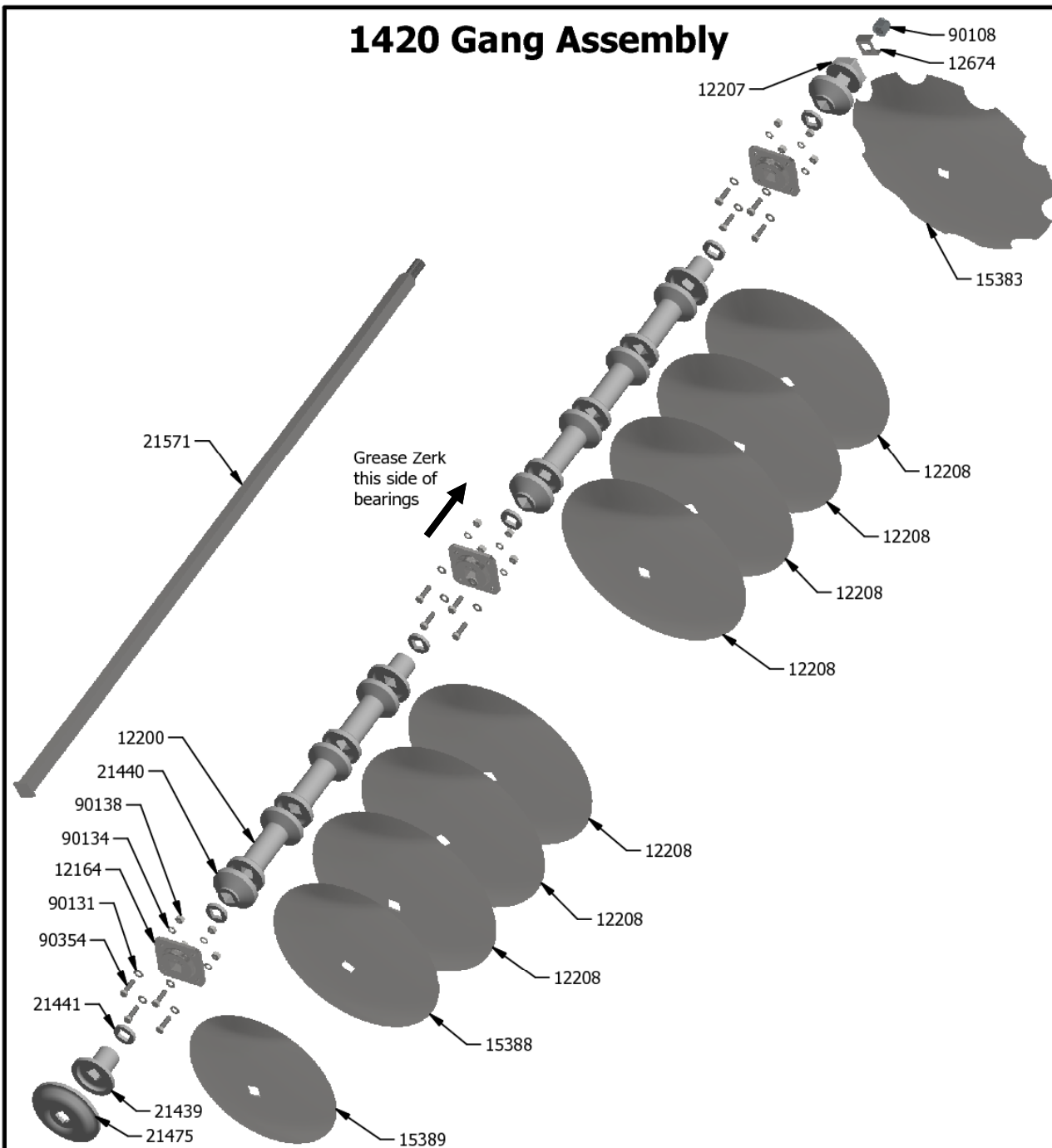


Parts			Parts		
Part #	Description	Qty	Part #	Description	Qty
15383	22" Notched Disc Blade	1	12200	7-1/2" Spool	4
12208	20" Disc Blade	5	12211	1-1/8" Square Axle 57.6"	1
15388	18" Disc Blade	1	90354	1/2" x 1-3/4" Bolt	12
15389	16" Disc Blade	1	90131	1/2" Flat Washer	12
21475	Spring Washer	1	90134	1/2" Lock Washer	12
21439	4" Half Spool	3	90138	1/2" Nut	12
21441	Spacer	6	12207	Locking Coller	1
12164	1-1/8" Square Bearing	3	12674	Locking Plate	1
21440	1-5/8" Half Spool	3	14759	1-1/8" Nylock Nut	1



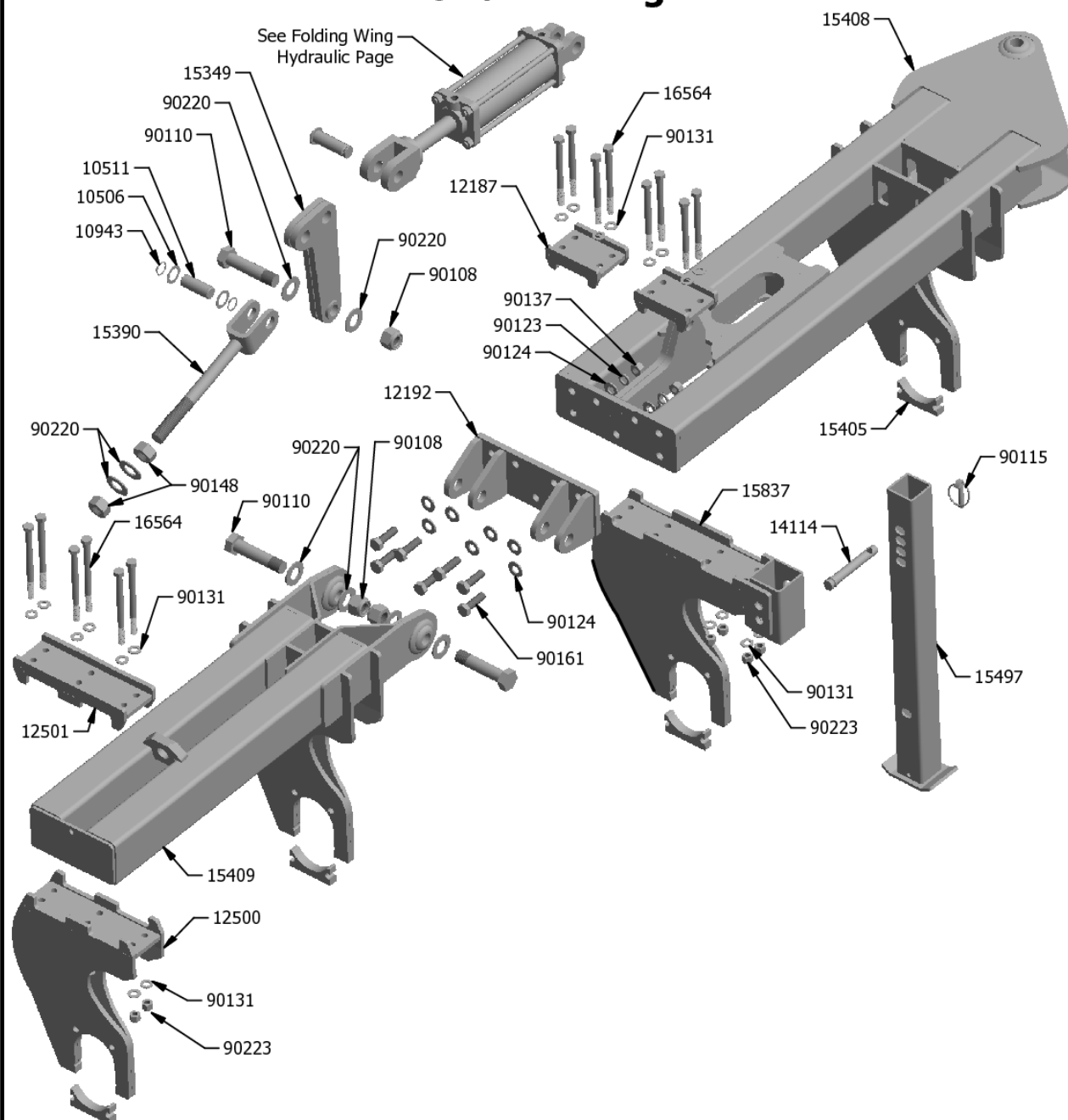
Parts			Parts		
Part #	Description	Qty	Part #	Description	Qty
15496	RH Wing - 1420	1	16564	1/2" x 6" Bolt	32
15495	LH Wing - 1420	1	90131	1/2" Washer	64
15837	Leg Bottom with stand	2	90223	1/2" Nylock Nut	32
15833	Leg Bottom	2	14114	Cat 1 Pin	2
12187	Leg Top Clamp	8	90115	7/16" x 1-1/2" Lynch Pin	2
15497	Stand Leg	2	15405	Bearing Keeper	6

# 1420 Gang Assembly



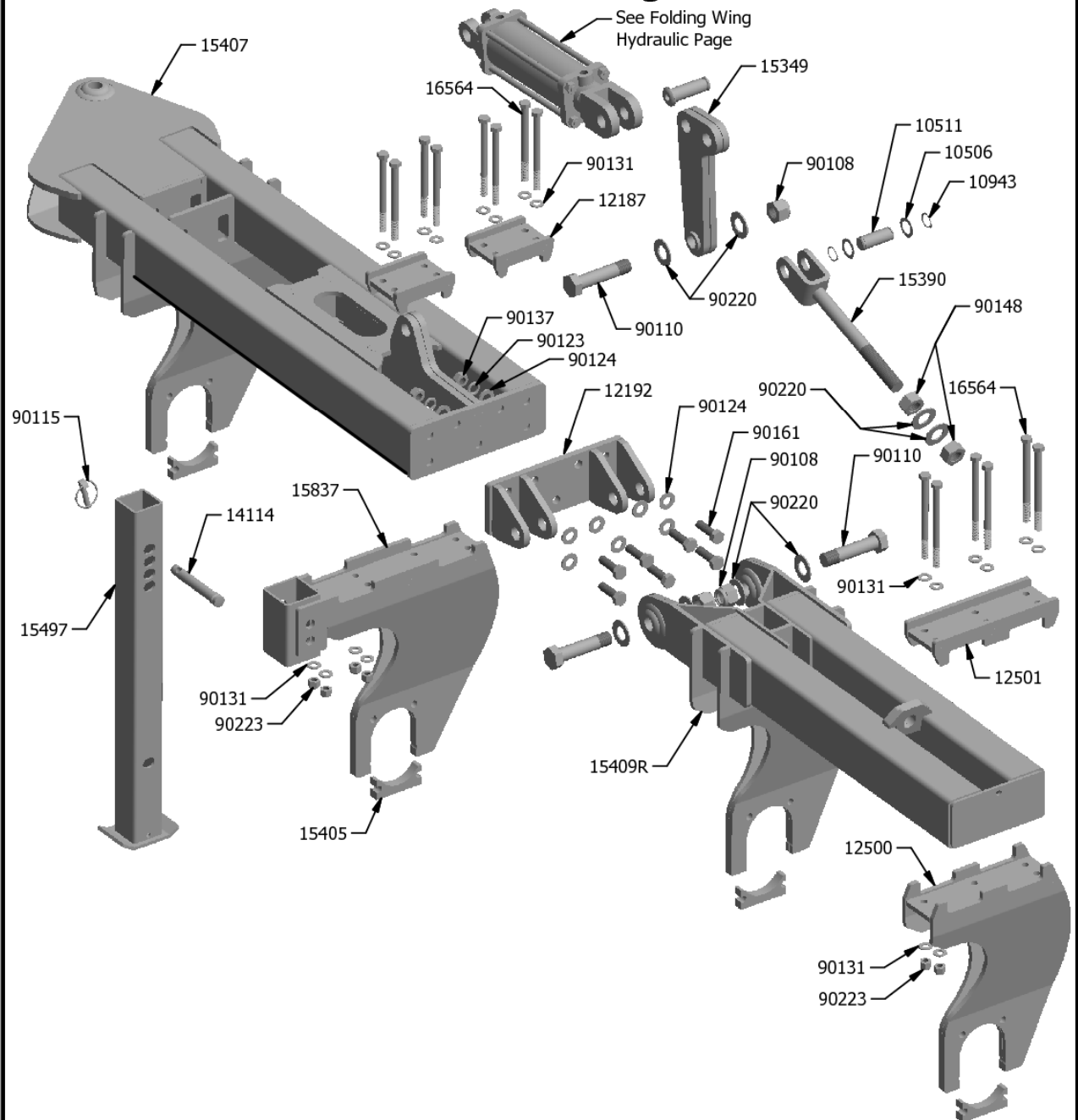
Parts			Parts		
Part #	Description	Qty	Part #	Description	Qty
15383	22" Notched Disc Blade	1	12200	7-1/2" Spool	6
12208	20" Disc Blade	7	12211	1-1/8" Square Axle 76.5"	1
15388	18" Disc Blade	1	90354	1/2" x 1-3/4" Bolt	12
15389	16" Disc Blade	1	90131	1/2" Flat Washer	12
21475	Spring Washer	1	90134	1/2" Lock Washer	12
21439	4" Half Spool	3	90138	1/2" Nut	12
21441	Spacer	6	12207	Locking Coller	1
12164	1-1/8" Square Bearing	3	12674	Locking Plate	1
21440	1-5/8" Half Spool	3	14759	1-1/8" Nylock Nut	1

# 1520 LH Wing



Parts			Parts			Parts		
Part #	Description	Qty	Part #	Description	Qty	Part #	Description	Qty
15408	LH Folding Wing 1st Half	1	15497	Stand Leg	1	15564	1/2" x 6" Bolt	14
15409	LH Folding Wing 2nd Half	1	90108	1" Nylock Nut	3	90131	1/2" Flat Washer	28
15837	Leg Bottom with stand	1	90220	1" Flat Washer	6	90223	1/2" Nylock Nut	14
12500	Leg Bottom Wing	1	10511	1" x 205/8" Pin	1	90161	5/8" x 2" Bolt	7
12187	Leg Top Clamp	2	10506	1" Mahine bushing	1	90124	5/8" Flat Washer	10
12501	Leg Top Clamp Wing	1	10943	1" Snap Ring	2	90123	5/8" Lock Washer	3
12192	Wing Mount Plate	1	15405	Bearing Keeper	4	90137	5/8" Nut	3
15349	Float Bar	1	14114	Cat 1 Pin	1	90110	1" x 6" cut to 4-3/8"	3
15390	Wing Height Adj. Bar	1	90115	7/16" x 1-1/2" Lynch Pin	1			

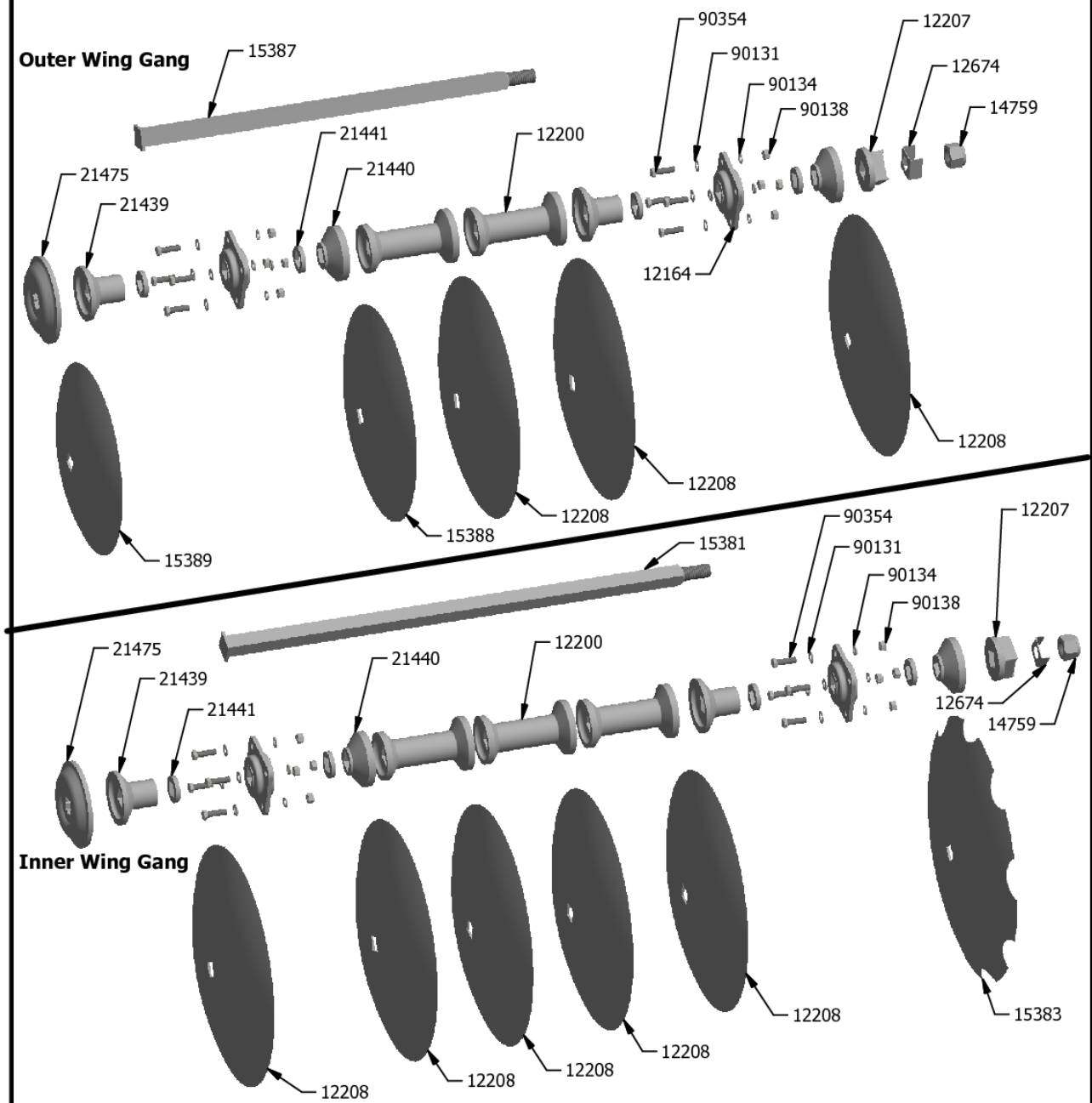
# 1520 RH Wing



Parts			Parts			Parts		
Part #	Description	Qty	Part #	Description	Qty	Part #	Description	Qty
15407	RH Folding Wing 1st Half	1	15497	Stand Leg	1	15564	1/2" x 6" Bolt	14
15409R	RH Folding Wing 2nd Half	1	90108	1" Nylock Nut	3	90131	1/2" Flat Washer	28
15837	Leg Bottom with stand	1	90220	1" Flat Washer	6	90223	1/2" Nylock Nut	14
12500	Leg Bottom Wing	1	10511	1" x 205/8" Pin	1	90161	5/8" x 2" Bolt	7
12187	Leg Top Clamp	2	10506	1" Mahine bushing	1	90124	5/8" Flat Washer	10
12501	Leg Top Clamp Wing	1	10943	1" Snap Ring	2	90123	5/8" Lock Washer	3
12192	Wing Mount Plate	1	15405	Bearing Keeper	4	90137	5/8" Nut	3
15349	Float Bar	1	14114	Cat 1 Pin	1	90110	1" x 6" cut to 4-3/8"	3
15390	Wing Height Adj. Bar	1	90115	7/16" x 1-1/2" Lynch Pin	1			

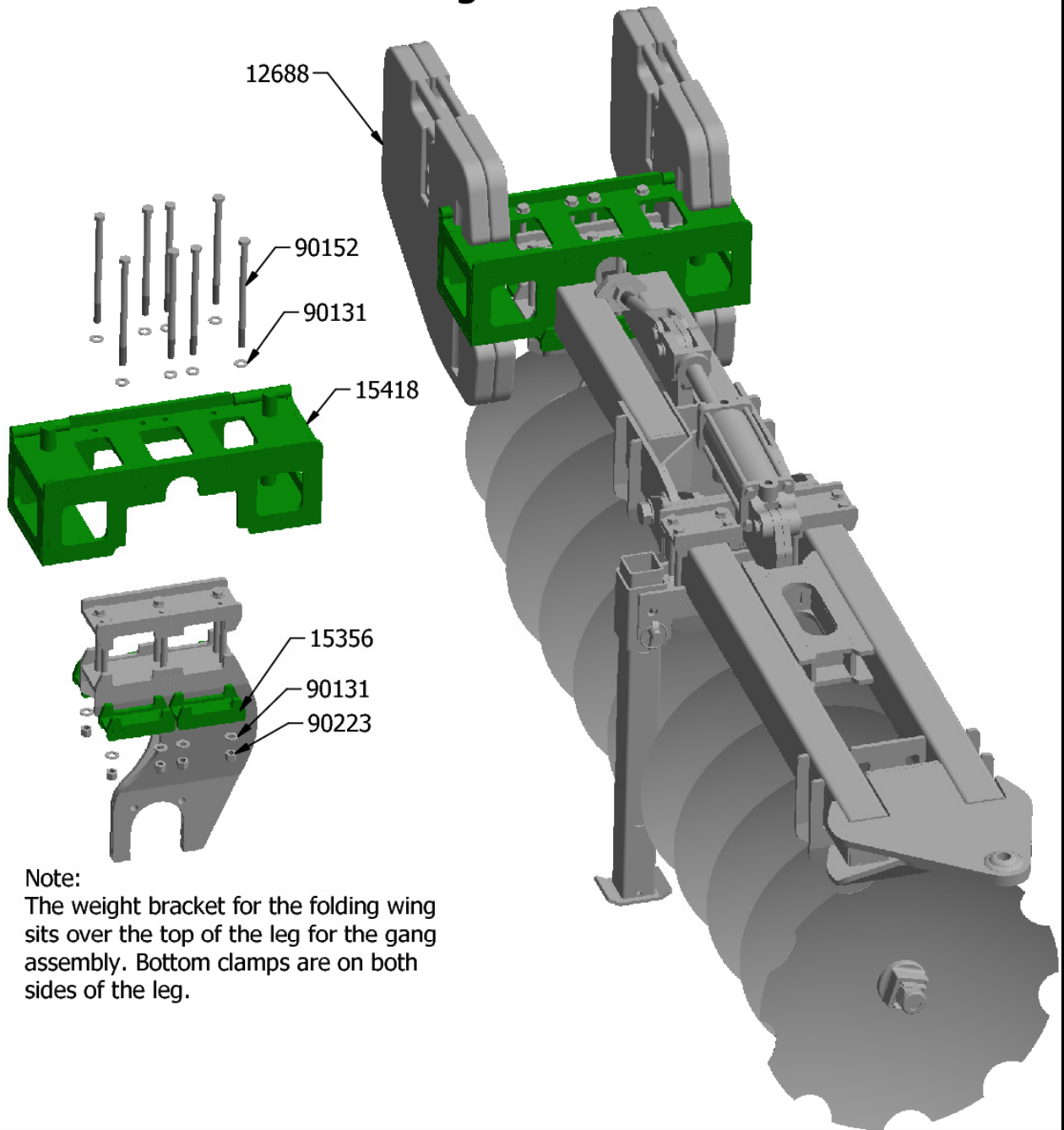


# 1520 Gang Assembly



Parts			Parts		
Part #	Description	Qty	Part #	Description	Qty
15383	22" Notched Disc Blade	1	12200	7-1/2" Spool	5
12208	20" Disc Blade	8	15381	1-1/8" Square Axle 42"	1
15388	18" Disc Blade	1	90354	1/2" x 1-3/4" Bolt	16
15389	16" Disc Blade	1	90131	1/2" Flat Washer	16
21475	Spring Washer	2	90134	1/2" Lock Washer	16
21439	4" Half Spool	4	90138	1/2" Nut	16
21441	Spacer	8	12207	Locking Coller	2
12164	1-1/8" Square Bearing	4	12674	Locking Plate	2
21440	1-5/8" Half Spool	4	14759	1-1/8" Nylock Nut	2
15387	1-1/8" Square Disc Axle 34"	1			

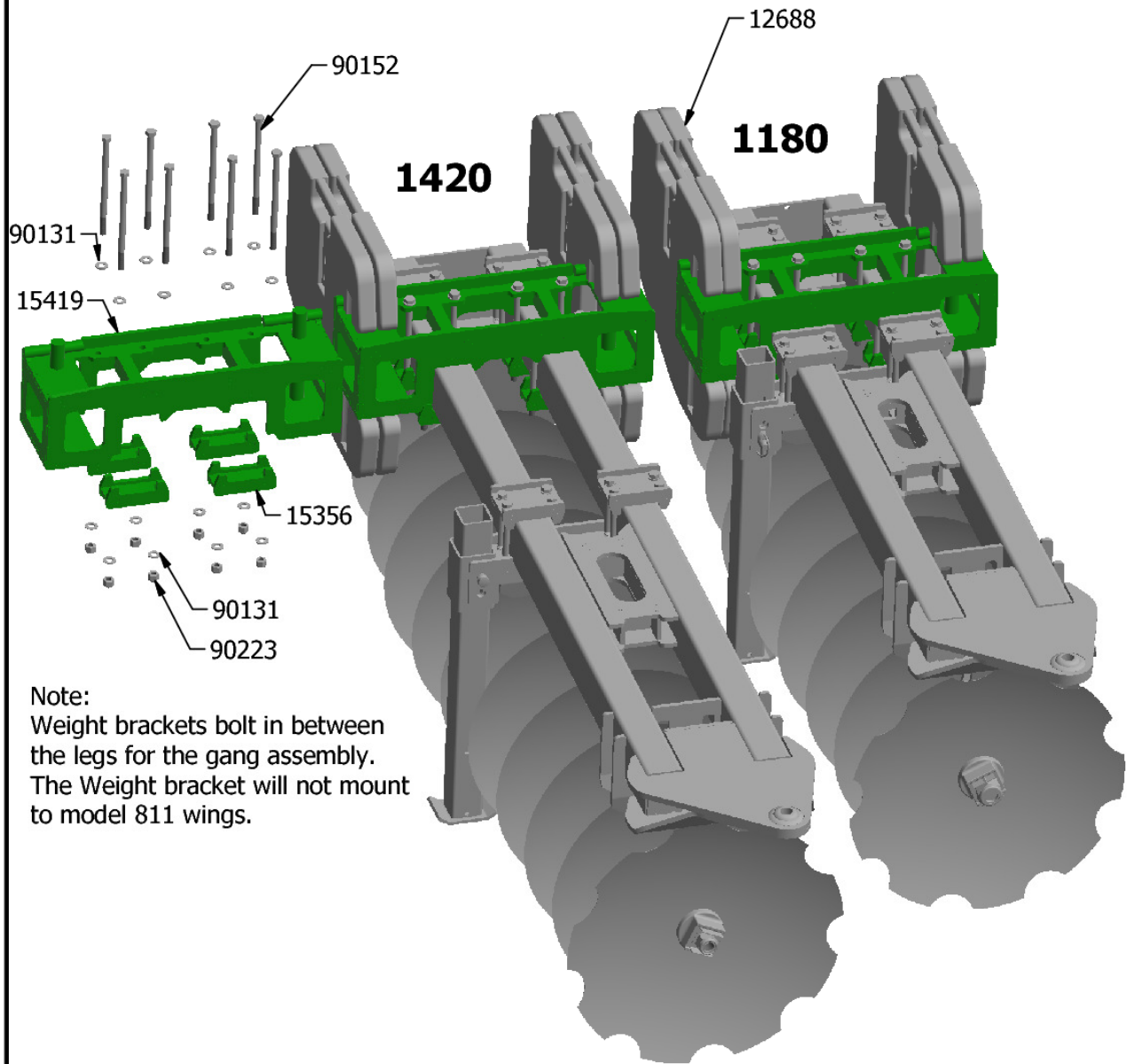
## 1520 Weight Bracket



**Note:**  
The weight bracket for the folding wing sits over the top of the leg for the gang assembly. Bottom clamps are on both sides of the leg.

Parts			Parts		
Part #	Description	Qty	Part #	Description	Qty
15418	Weight Bracket Top Half	1	90131	1/2" Flat Washer	16
15356	Weight Bracket Bottom Clamp	4	90223	1/2" Nylock Nut	8
90152	1/2" x 8-1/2" Bolt	8	12688	100 lb Suitcase Weight	4

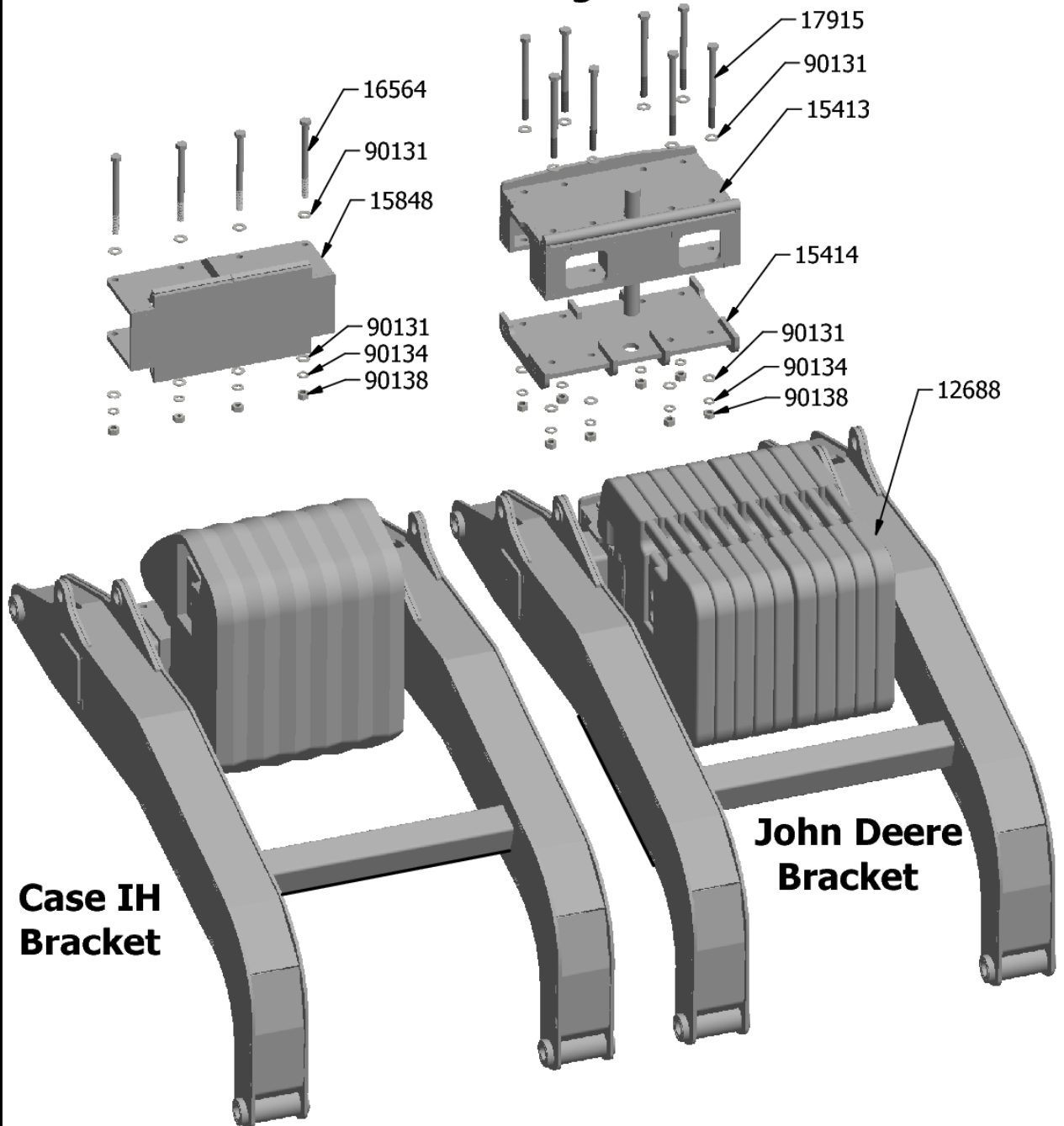
## Model 1180 & 1420 Weight Bracket



Note:  
 Weight brackets bolt in between  
 the legs for the gang assembly.  
 The Weight bracket will not mount  
 to model 811 wings.

Parts			Parts		
Part #	Description	Qty	Part #	Description	Qty
15419	Weight Bracket Top 1180 & 1420	1	90152	1/2" X 8-1/2" Bolt	8
15356	Weight Braket Bottom Clamp	4	90131	1/2" Flat Washer	16
12688	100 lb Suitcase Weight	4	90223	1/2" Nylock Nut	8

## Basket Arm Weight Bracket



Parts			Parts		
Part #	Description	Qty	Part #	Description	Qty
15848	Case IH Weight Bracket	1	17915	1/2" x 6-1/2" Bolt	8
15413	JD Weight Bracket Top	1	90131	1/2" Flat Washer	8C-16JD
15414	JD Weight Bracket Bottom	1	90134	1/2" Lock Washer	4C-8JD
12688	Besler Suitcase Weights	1	90138	1/2" Nut	4C-8JD
16564	1/2" x 6" Bolt	4			