

Besler Industries Inc.

SETUP AND PARTS MANUAL

8000 SERIES

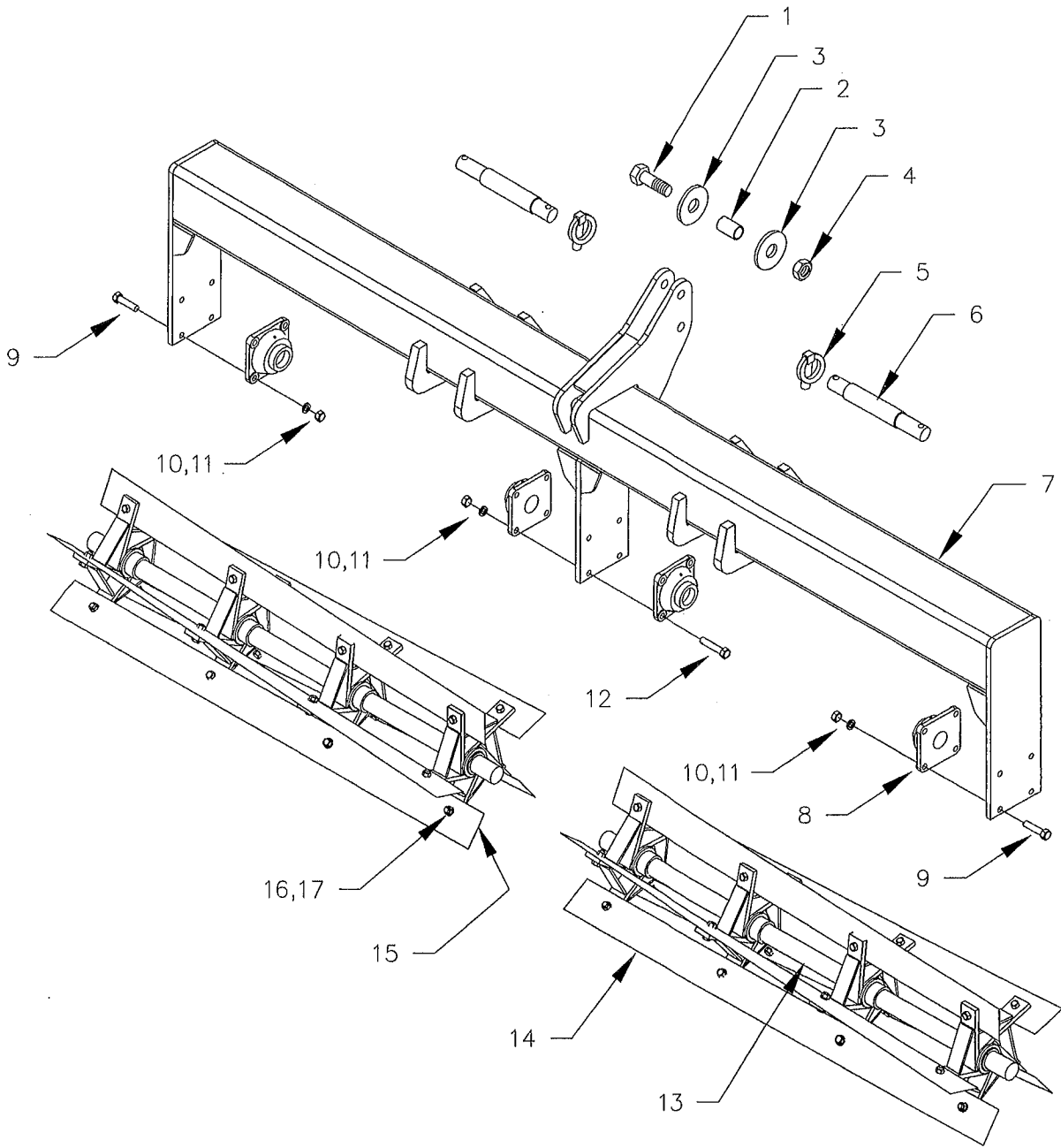
ROLLING STALK MANAGER

RIGID TOOLBAR

Model No's.

80430	4 Row	30" Spacing
80436	4 Row	36" Spacing
80630	6 Row	30" Spacing
80636	6 Row	36" Spacing
80830	8 Row	30" Spacing
80836	8 Row	36" Spacing

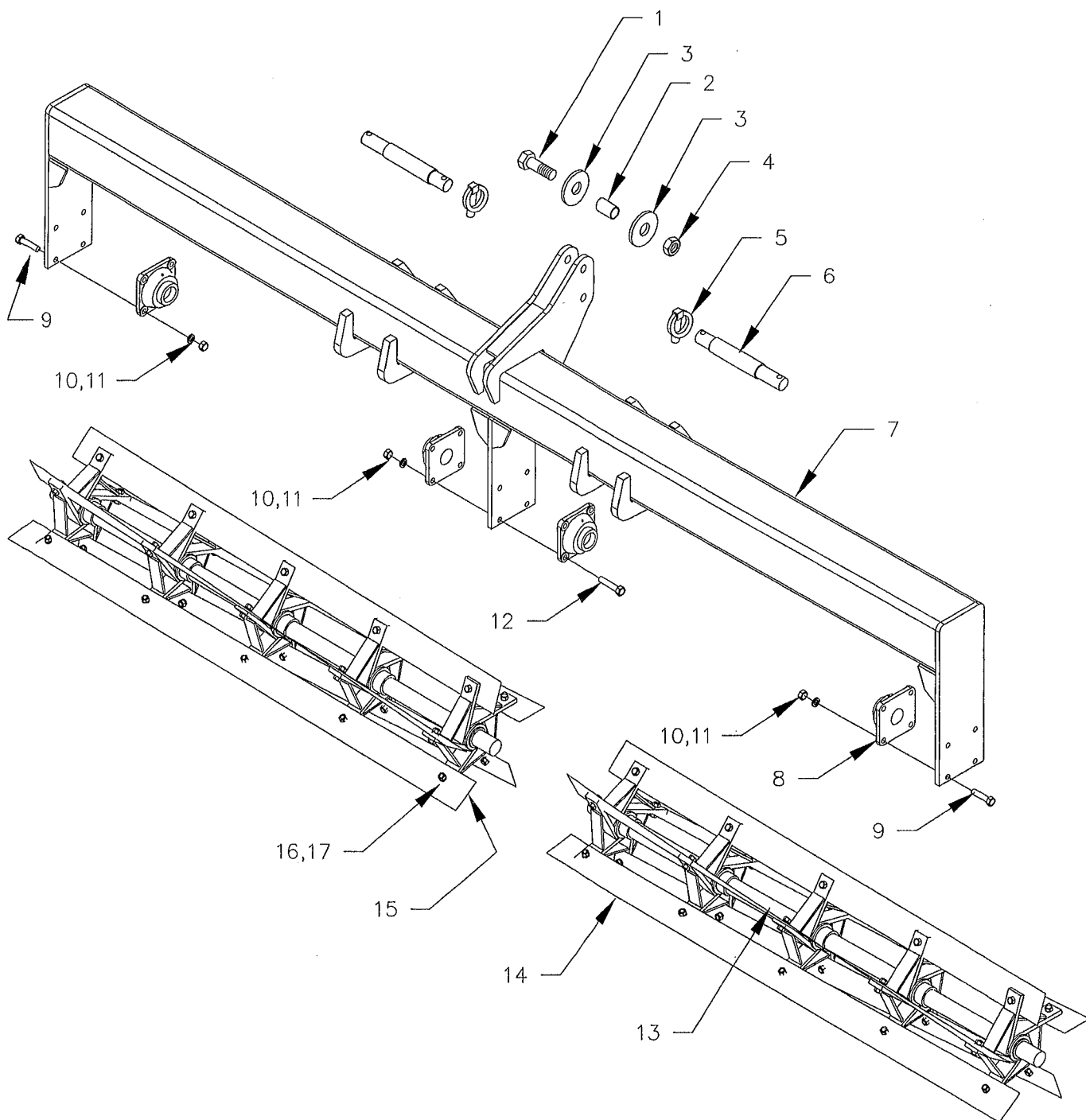
4 ROW 30"



Dwg. No. 00035

REF. NO.	PART NUMBER	DESCRIPTION	No. REQ'D	REF. NO.	PART NUMBER	DESCRIPTION	No. REQ'D
1	90110	BOLT 1"NC x 4-3/8"	1	10	90123	WASHER 5/8" LOCK	12
2	90109	TOP LINK BUSHING	1	11	90137	NUT 5/8"NC	12
3	90112	WASHER 1" FLAT	2	12	90151	BOLT 5/8"NC x 3"	4
4	90111	NUT 1"NC DEFORMED	1	13	10127	ROTOR 5'	2
5	90115	LYNCH PIN 7/16 x 1-1/2	2	14	10283	BLADE 5'	10
6	90113	HITCH PIN CAT. 2 & 3	2	15	90136	BOLT 1/2"NC x 1-1/2"	40
7	10226	TOOL BAR	1	16	90134	WASHER 1/2" LOCK	40
8	10125	BEARING BLOCK w/LOCK COLLAR & ZERK	4	17	90138	NUT 1/2"NC	40
9	90135	BOLT 5/8"NC x 2-1/2"	8				

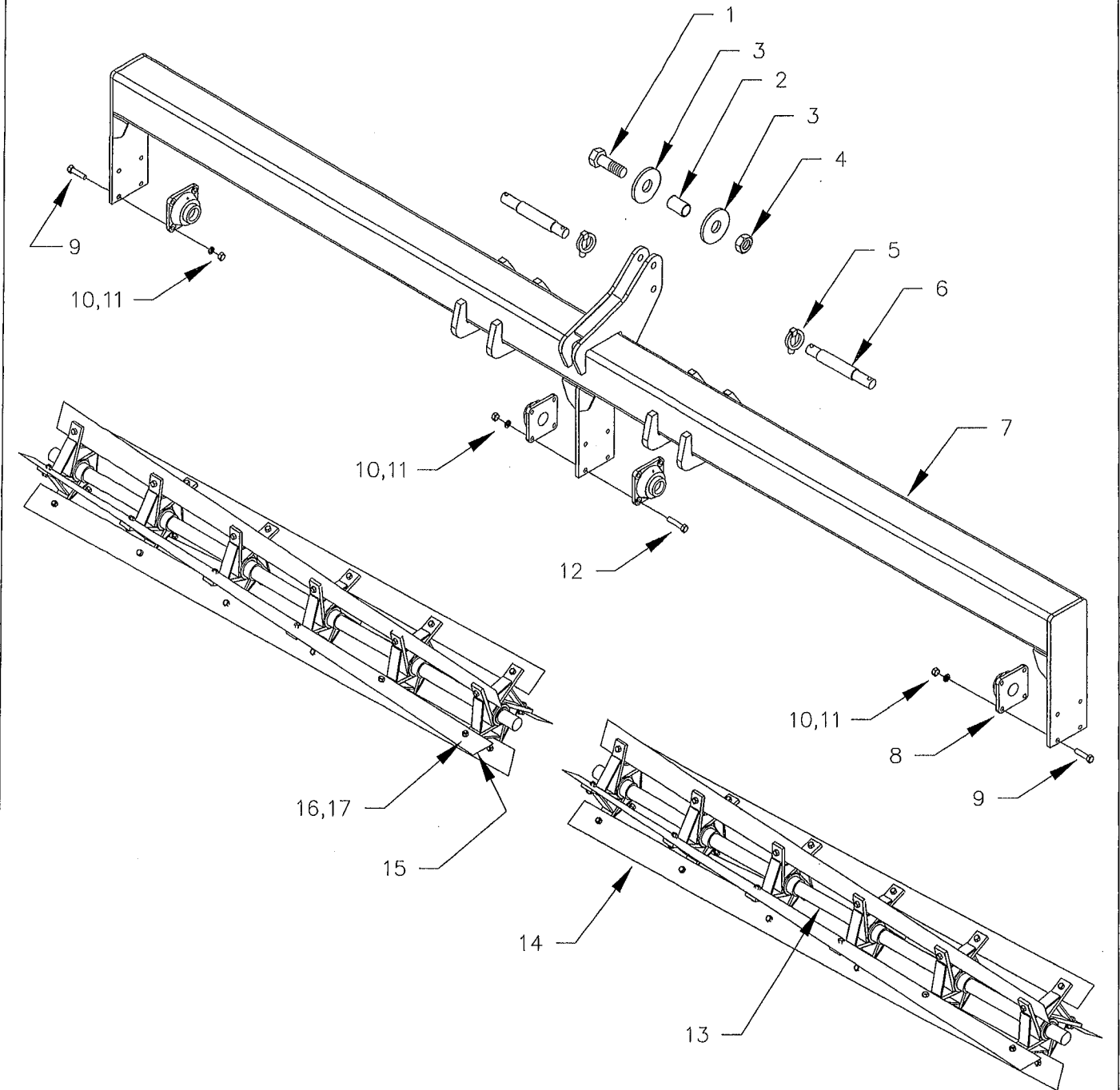
4 ROW 36"



Dwg No. 00036

REF. NO.	PART NUMBER	DESCRIPTION	No. REQ'D	REF. NO.	PART NUMBER	DESCRIPTION	No. REQ'D
1	90110	BOLT 1"NC x 4-3/8"	1	10	90123	WASHER 5/8" LOCK	12
2	90109	TOP LINK BUSHING	1	11	90137	NUT 5/8"NC	12
3	90112	WASHER 1" FLAT	2	12	90151	BOLT 5/8"NC x 3"	4
4	90111	NUT 1"NC DEFORMED	1	13	10128	ROTOR 6'	2
5	90115	LYNCH PIN 7/16 x 1-1/2	2	14	10284	BLADE 6'	10
6	90113	HITCH PIN CAT. 2 & 3	2	15	90136	BOLT 1/2"NC x 1-1/2"	50
7	10227	TOOL BAR	1	16	90134	WASHER 1/2" LOCK	50
8	10125	BEARING BLOCK w/LOCK COLLAR & ZERK	4	17	90138	NUT 1/2"NC	50
9	90135	BOLT 5/8"NC x 2-1/2"	8				

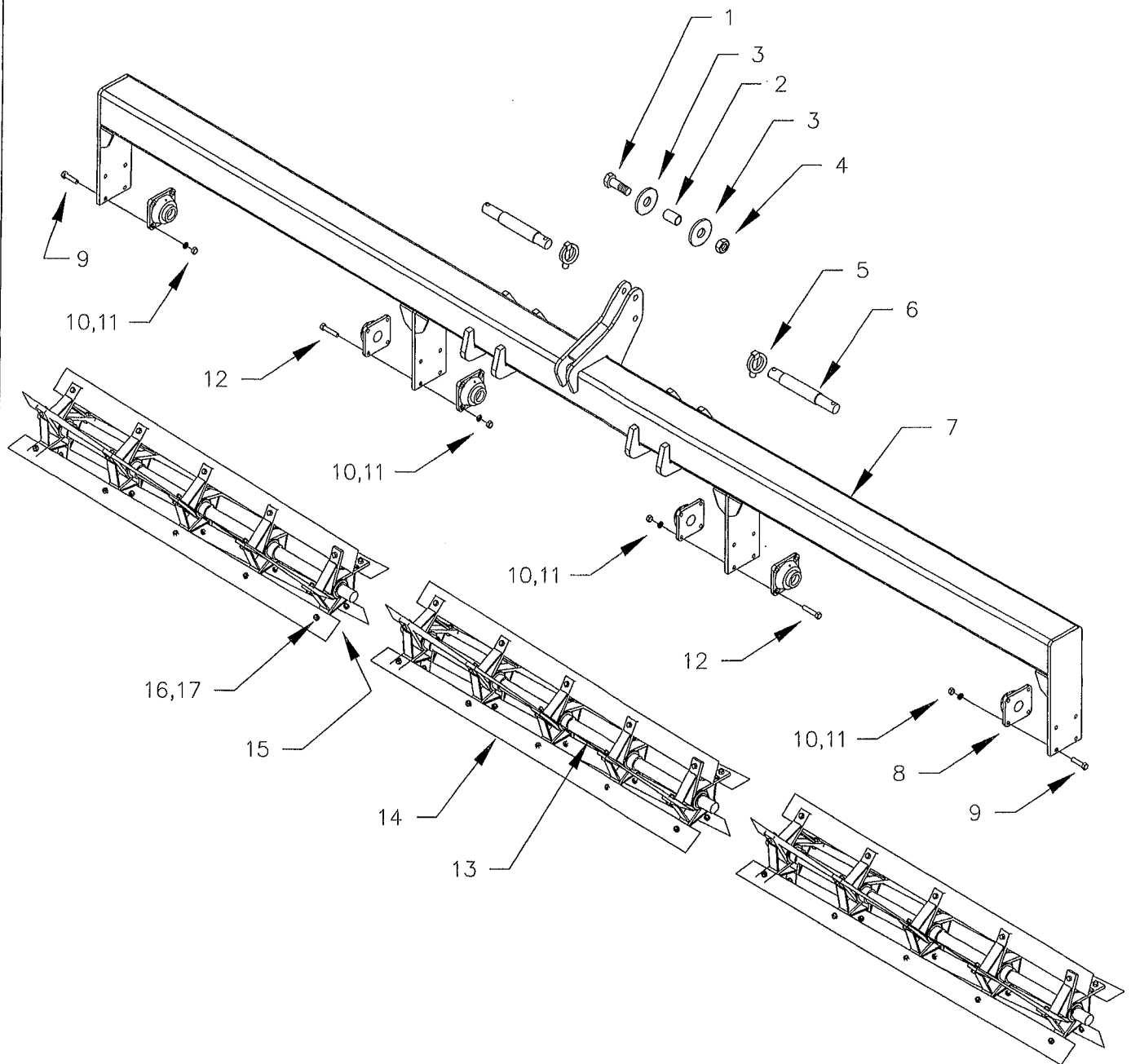
6 ROW 30"



Dwg. No. 00037

REF. NO.	PART NUMBER	DESCRIPTION	No. REQ'D	REF. NO.	PART NUMBER	DESCRIPTION	No. REQ'D
1	90110	BOLT 1"NC x 4-3/8"	1	10	90123	WASHER 5/8" LOCK	12
2	90109	TOP LINK BUSHING	1	11	90137	NUT 5/8"NC	12
3	90112	WASHER 1" FLAT	2	12	90151	BOLT 5/8"NC x 3"	4
4	90111	NUT 1"NC DEFORMED	1	13	10129	ROTOR 7-1/2'	2
5	90115	LYNCH PIN 7/16 x 1-1/2	2	14	10288	BLADE 7-1/2'	10
6	90113	HITCH PIN CAT. 2 & 3	2	15	90136	BOLT 1/2"NC x 1-1/2"	60
7	10228	TOOL BAR	1	16	90134	WASHER 1/2" LOCK	60
8	10125	BEARING BLOCK w/LOCK COLLAR & ZERK	4	17	90138	NUT 1/2"NC	60
9	90135	BOLT 5/8"NC x 2-1/2"	8				

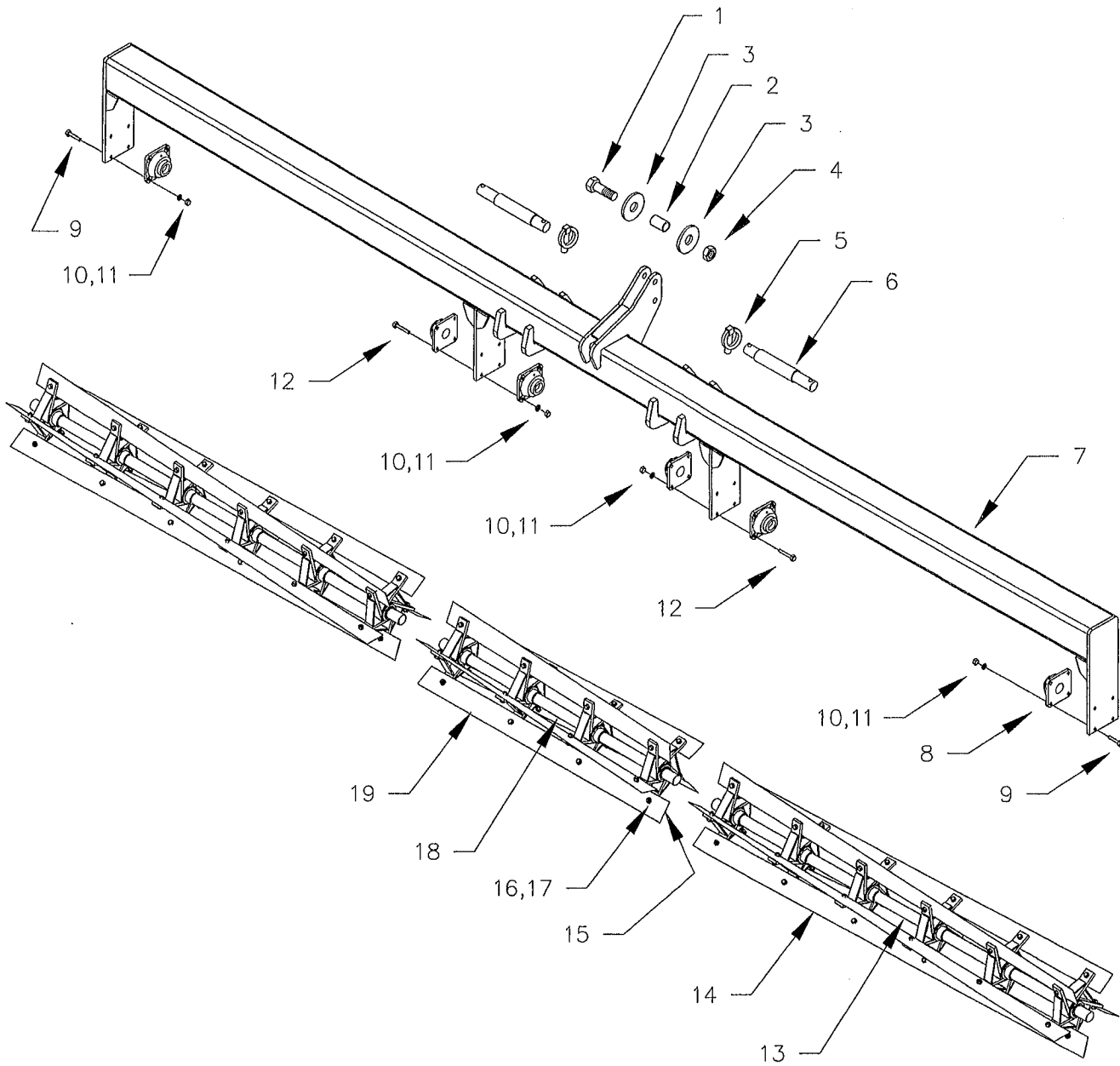
6 ROW 36"



Dwg. No. 00038

REF. NO.	PART NUMBER	DESCRIPTION	No. REQ'D	REF. NO.	PART NUMBER	DESCRIPTION	No. REQ'D
1	90110	BOLT 1"NC x 4-3/8"	1	10	90123	WASHER 5/8" LOCK	16
2	90109	TOP LINK BUSHING	1	11	90137	NUT 5/8"NC	16
3	90112	WASHER 1" FLAT	2	12	90151	BOLT 5/8"NC x 3"	8
4	90111	NUT 1"NC DEFORMED	1	13	10128	ROTOR 6'	3
5	90115	LYNCH PIN 7/16 x 1-1/2	2	14	10284	BLADE 6'	15
6	90113	HITCH PIN CAT. 2 & 3	2	15	90136	BOLT 1/2"NC x 1-1/2"	75
7	10229	TOOL BAR	1	16	90134	WASHER 1/2" LOCK	75
8	10125	BEARING BLOCK w/LOCK COLLAR & ZERK	6	17	90138	NUT 1/2"NC	75
9	90135	BOLT 5/8"NC x 2-1/2"	8				

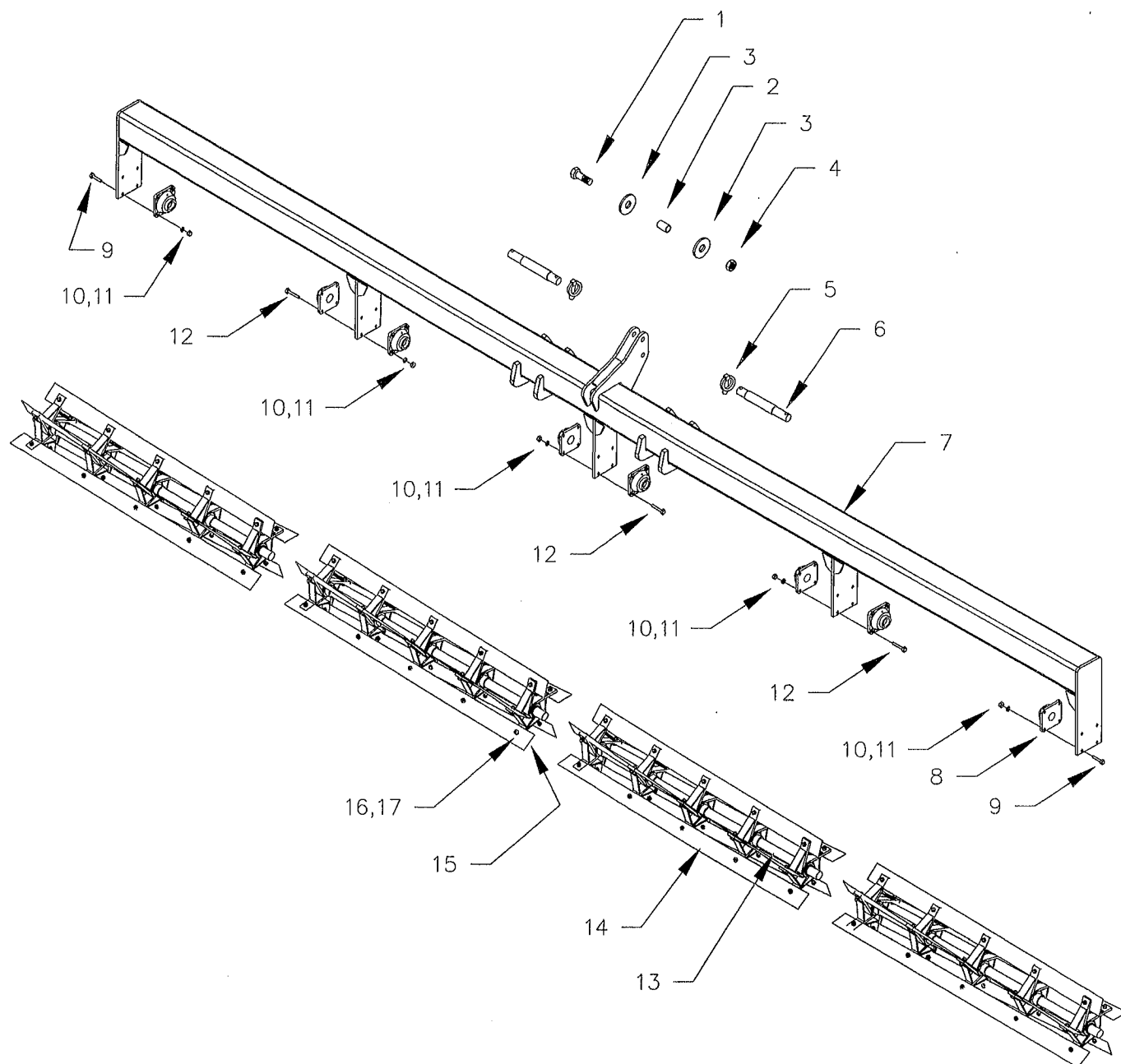
8 ROW 30"



Dwg. No. 00039

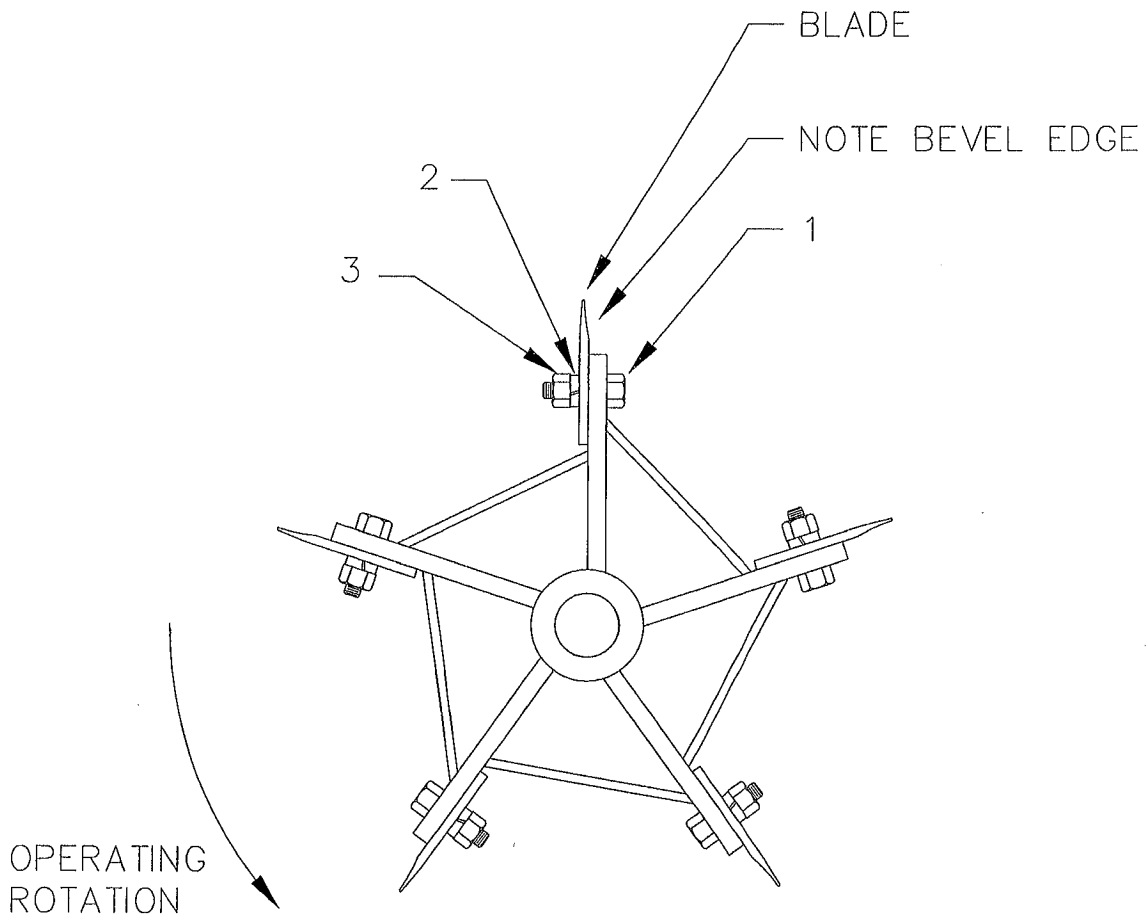
REF. NO.	PART NUMBER	DESCRIPTION	No. REQ'D	REF. NO.	PART NUMBER	DESCRIPTION	No. REQ'D
1	90110	BOLT 1"NC x 4-3/8"	1	10	90123	WASHER 5/8" LOCK	16
2	90109	TOP LINK BUSHING	1	11	90137	NUT 5/8"NC	16
3	90112	WASHER 1" FLAT	2	12	90151	BOLT 5/8"NC x 3"	8
4	90111	NUT 1"NC DEFORMED	1	13	10129	ROTOR 7-1/2'	2
5	90115	LYNCH PIN 7/16 x 1-1/2	2	14	10285	BLADE 7-1/2'	10
6	90113	HITCH PIN CAT. 2 & 3	2	15	90136	BOLT 1/2"NC x 1-1/2"	80
7	10230	TOOL BAR	1	16	90134	WASHER 1/2" LOCK	80
8	10125	BEARING BLOCK w/LOCK COLLAR & ZERK	6	17	90138	NUT 1/2"NC	80
9	90135	BOLT 5/8"NC x 2-1/2"	8	18	10127	ROTOR 5'	1
				19	10283	BLADE 5'	5

8 ROW 36"



Dwg. No. 00040

REF. NO.	PART NUMBER	DESCRIPTION	No. REQ'D	REF. NO.	PART NUMBER	DESCRIPTION	No. REQ'D
1	90110	BOLT 1"NC x 4-3/8"	1	10	90123	WASHER 5/8" LOCK	20
2	90109	TOP LINK BUSHING	1	11	90137	NUT 5/8"NC	20
3	90112	WASHER 1" FLAT	2	12	90151	BOLT 5/8"NC x 3"	12
4	90111	NUT 1"NC DEFORMED	1	13	10128	ROTOR 6'	4
5	90115	LYNCH PIN 7/16 x 1-1/2"	2	14	10284	BLADE 6'	20
6	90113	HITCH PIN CAT. 2 & 3	2	15	90136	BOLT 1/2"NC x 1-1/2"	100
7	10231	TOOL BAR	1	16	90134	WASHER 1/2" LOCK	100
8	10125	BEARING BLOCK w/LOCK COLLAR & ZERK	8	17	90138	NUT 1/2"NC	100
9	90135	BOLT 5/8"NC x 2-1/2"	8				

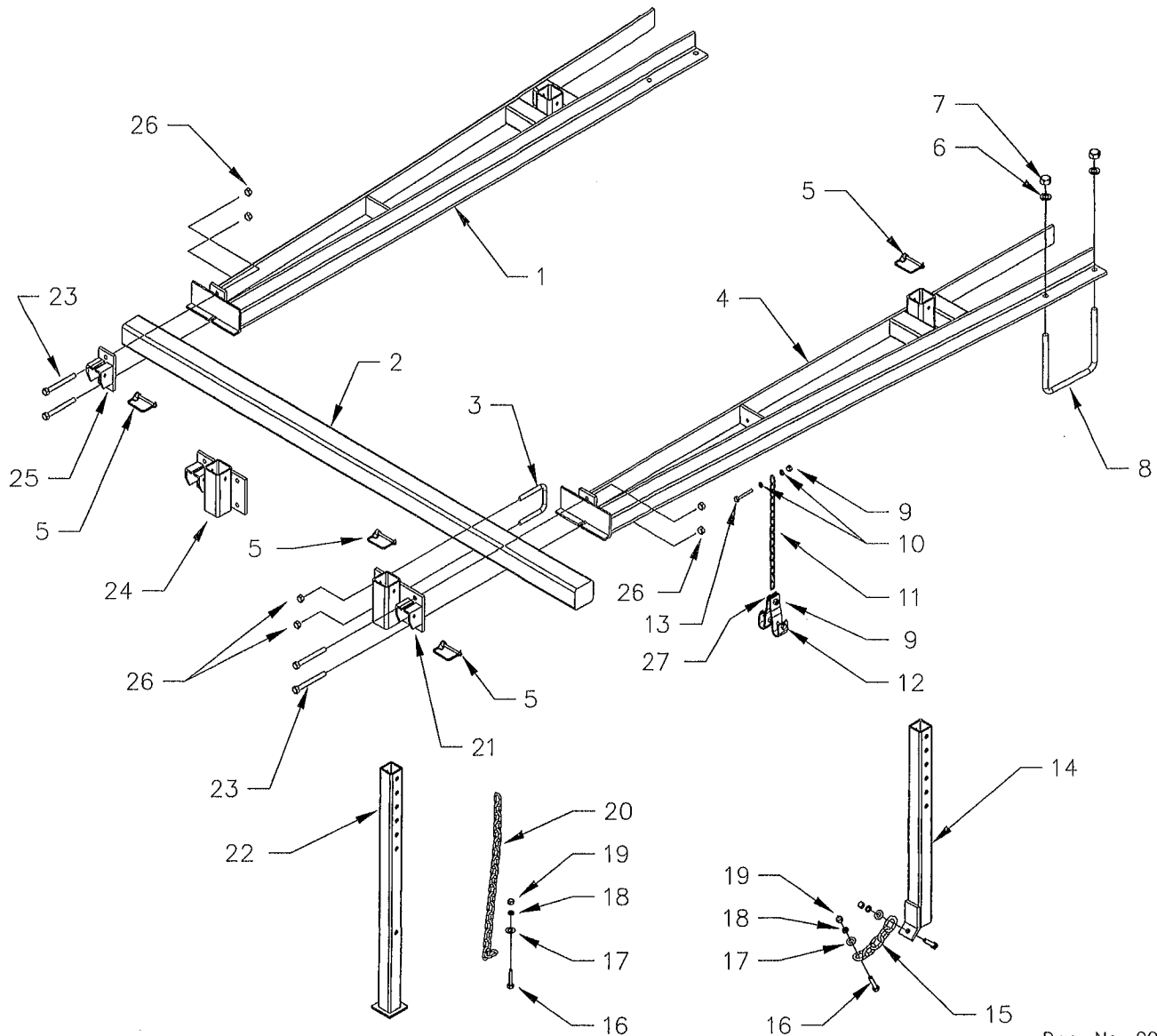


5 BLADE SPIDER/BLADE ASS'Y

Dwg. No. 00042

REF. NO.	PART NUMBER	DESCRIPTION	No. REQ'D
1	90136	BOLT 1/2"NC x 1-1/2"	
2	90134	WASHER 1/2" LOCK	
3	90138	NUT 1/2"NC	

5 BAR SPIKE TOOTH HARROW



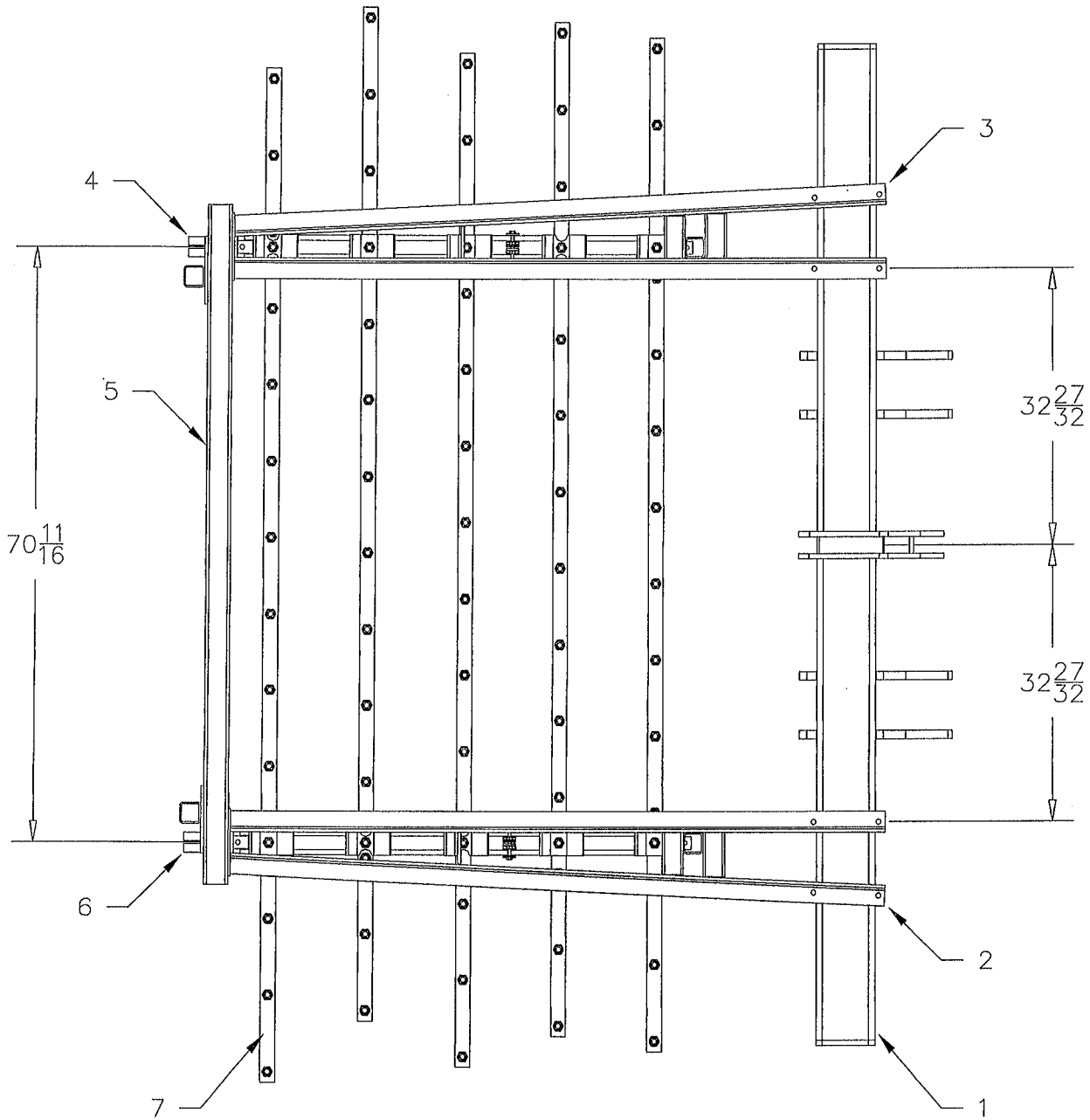
Dwg. No. 00041

REF. NO.	PART NUMBER	DESCRIPTION	No. REQ'D	REF. NO.	PART NUMBER	DESCRIPTION	No. REQ'D
1	10161	A--ARM LEFT	**	15	90222	CHAIN 3/8 5 LINKS	**
2	**	HARROW BAR	1	16	90136	BOLT 1/2"NC x 1-1/2"	**
3	90141	U--BOLT 1/2"NC x 3-1/8" x 4"	**	17	90131	WASHER 1/2" FLAT	**
4	10162	A--ARM RIGHT	**	18	90134	WASHER 1/2" LOCK	**
5	90184	LYNCH PIN - WIRE LOCK 3/8" DIA.	**	19	90138	NUT 1/2"NC	**
6	90123	WASHER 5/8" LOCK	**	20	90202	CHAIN 5/16 25 LINKS	**
7	90137	NUT 5/8"NC	**	21	10154	REAR LOCK/STAND (LH)	1
8	90143	U--BOLT 5/8"NC x 7-1/8" x 8-1/4"	**	22	10150	HARROW STAND	2
9	90199	NUT 3/8"NC DEFORMED	**	23	90191	BOLT 1/2"NC x 4-1/2"	**
10	90224	WASHER 3/8" FLAT	**	24	10153	REAR LOCK/STAND (RH)	1
11	90221	CHAIN 3/16 25 LINKS	**	25	10152	REAR CHAIN LOCK	**
12	10255	LIFT CLIP	**	26	90192	NUT 1/2"NC DEFORMED	**
13	90120	BOLT 3/8"NC x 1"	**	27	90173	BOLT 3/8" NC X 1-1/4"	**
14	10151	FRONT HEIGHT BAR	**				

REVISION 01-13-99

** VARIES WITH MACHINE WIDTH.

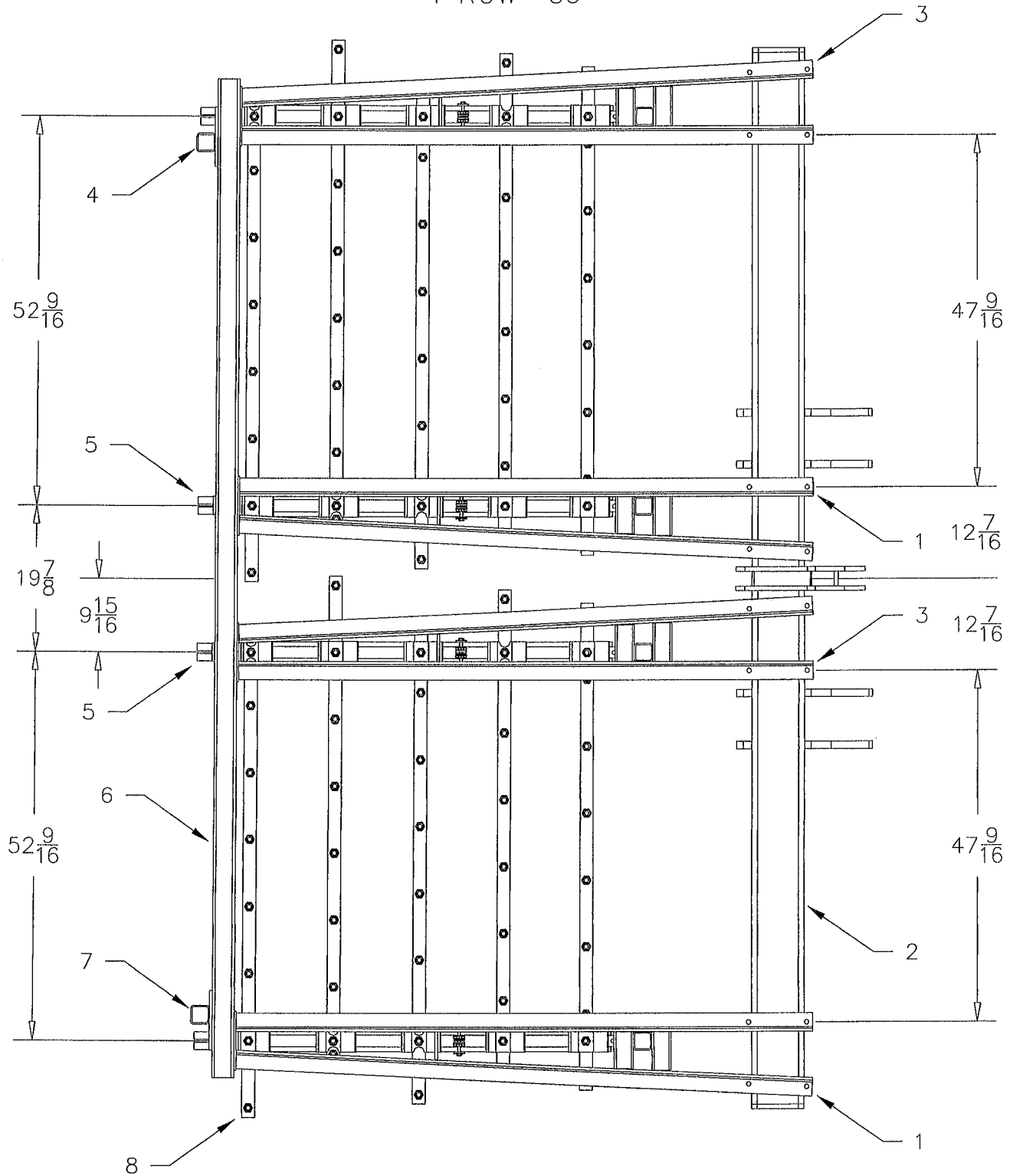
4 ROW 30"



Dwg. No. 00047

REF. NO.	PART NUMBER	DESCRIPTION	No. REQ'D	REF. NO.	PART NUMBER	DESCRIPTION	No. REQ'D
1	10226	TOOL BAR	1	5	10263	HARROW CARRIER BAR	1
2	10162	72" ARM (RIGHT)	1	6	10154	REAR LOCK/STAND (LH)	1
3	10161	72" ARM (LEFT)	1	7	10260	HARROW SECTION 10'	1
4	10153	REAR LOCK/STAND (RH)	1				

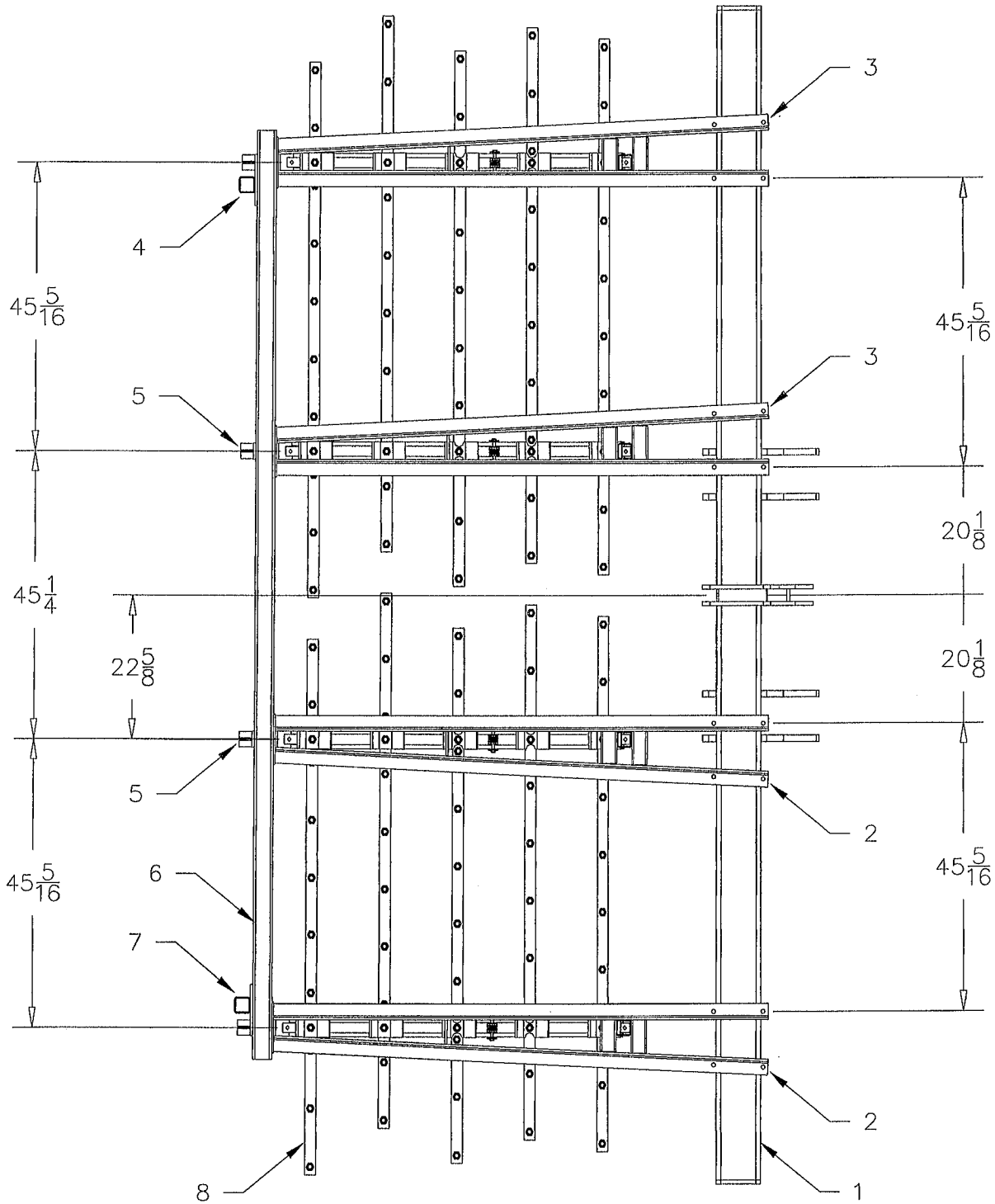
4 ROW 36"



Dwg. No. 00048

REF. NO.	PART NUMBER	DESCRIPTION	No. REQ'D	REF. NO.	PART NUMBER	DESCRIPTION	No. REQ'D
1	10162	72" ARM (RIGHT)	2	5	10152	REAR HEIGHT CHAIN/LOCK	2
2	10227	TOOL BAR	1	6	10264	HARROW CARRIER BAR	1
3	10161	72" ARM (LEFT)	2	7	10154	REAR LOCK/STAND (LH)	1
4	10153	REAR LOCK/STAND (RH)	1	8	10256	HARROW SECTION 6'	2

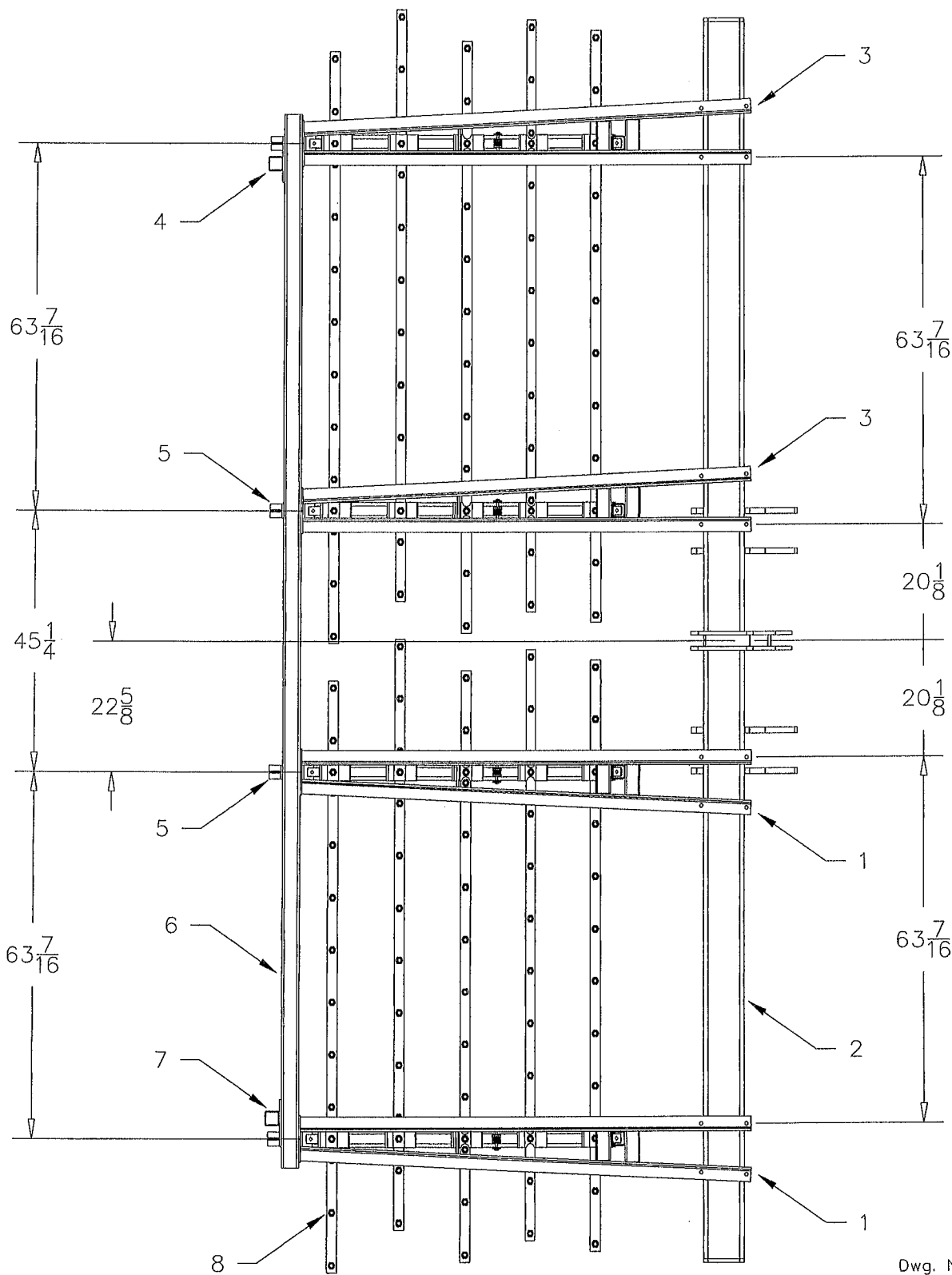
6 ROW 30"



Dwg. No. 00049

REF. NO.	PART NUMBER	DESCRIPTION	No. REQ'D	REF. NO.	PART NUMBER	DESCRIPTION	No. REQ'D
1	10228	TOOL BAR	1	5	10152	REAR HEIGHT/CHAIN LOCK	2
2	10162	72" ARM (RIGHT)	2	6	10265	HARROW CARRIER BAR	1
3	10161	72" ARM (LEFT)	2	7	10154	REAR LOCK/STAND (LH)	1
4	10153	REAR LOCK/STAND (RH)	1	8	10257	HARROW SECTION 7-1/2'	2

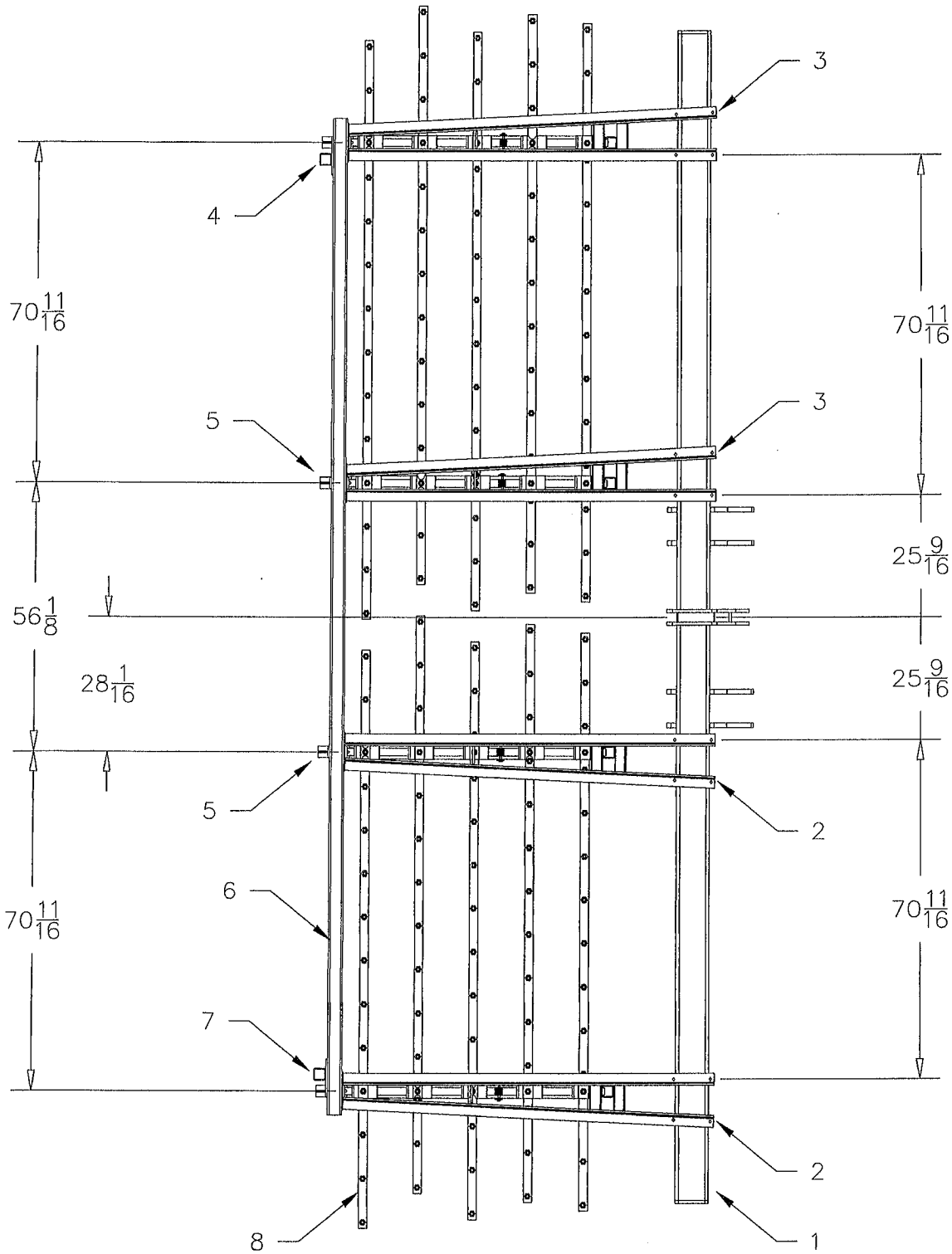
6 ROW 36"



Dwg. No. 00050

REF. NO.	PART NUMBER	DESCRIPTION	No. REQ'D	REF. NO.	PART NUMBER	DESCRIPTION	No. REQ'D
1	10162	72" ARM (RIGHT)	2	5	10152	REAR HEIGHT CHAIN/LOCK	2
2	10229	TOOL BAR	1	6	10266	HARROW CARRIER BAR	1
3	10161	72" ARM (LEFT)	2	7	10154	REAR LOCK/STAND (LH)	1
4	10153	REAR LOCK/STAND (RH)	1	8	10259	HARROW SECTION 9'	2

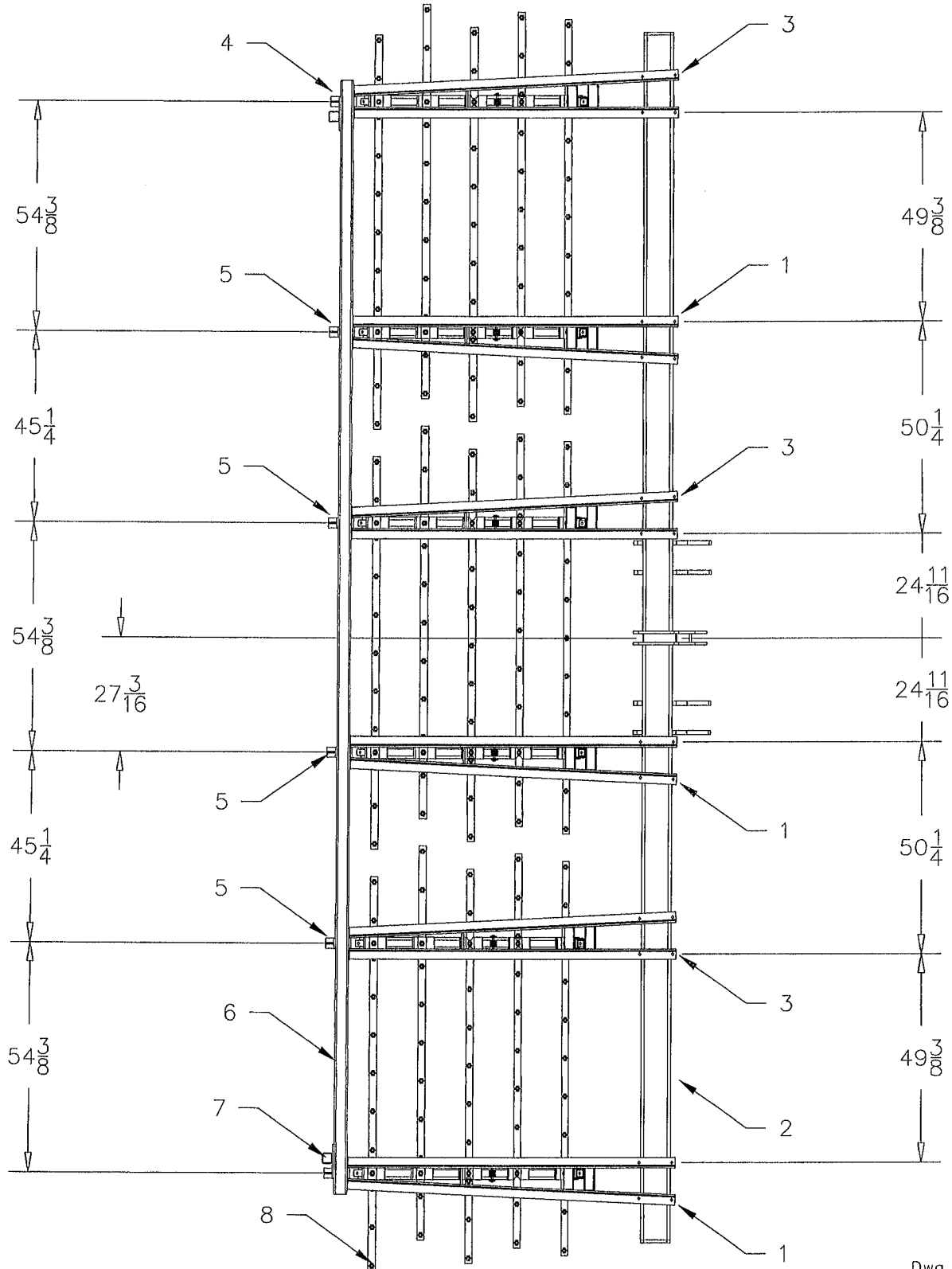
8 ROW 30"



Dwg. No. 00051

REF. NO.	PART NUMBER	DESCRIPTION	No. REQ'D	REF. NO.	PART NUMBER	DESCRIPTION	No. REQ'D
1	10230	TOOL BAR	1	5	10152	REAR HEIGHT/CHAIN LOCK	2
2	10162	72" ARM (RIGHT)	2	6	10267	HARROW CARRIER BAR	1
3	10161	72" ARM (LEFT)	2	7	10154	REAR LOCK/STAND (LH)	1
4	10153	REAR LOCK/STAND (RH)	1	8	10260	HARROW SECTION 10'	2

8 ROW 36"



Dwg. No. 00052

REF. NO.	PART NUMBER	DESCRIPTION	No. REQ'D	REF. NO.	PART NUMBER	DESCRIPTION	No. REQ'D
1	10162	72" ARM (RIGHT)	3	5	10152	REAR HEIGHT CHAIN/LOCK	4
2	10231	TOOL BAR	1	6	10268	HARROW CARRIER BAR	1
3	10161	72" ARM (LEFT)	3	7	10154	REAR LOCK/STAND (LH)	1
4	10153	REAR LOCK/STAND (RH)	1	8	10258	HARROW SECTION 8'	3

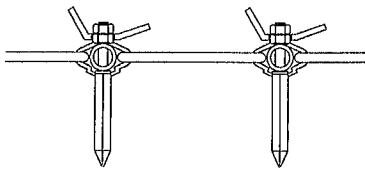
5 BAR SPIKE TOOTH HARROW

*** CAUTION: MAKE SURE ALL PARTS ARE HELD SECURELY BEFORE USING.

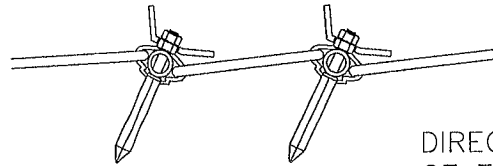
*** CAUTION: DUE TO THE EXTRA WEIGHT OF THE HARROW ON THIS MACHINE IT WILL TIP BACK WHEN DETACHED FROM THE TRACTOR IF THE STANDS ARE NOT IN PROPER POSITION.

*** CAUTION: A SLOW MOVING VEHICLE (SMV) SIGN MUST BE ATTACHED TO THE REAR OF THIS MACHINE WHENEVER IT IS BEING TRANSPORTED ON PUBLIC STREETS OR HIGHWAYS.

STEEP
ANGLE
OF
ATTACK

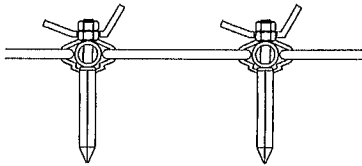


AT REST

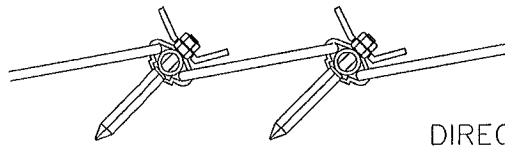


UNDER TOW

SHALLOW
ANGLE
OF
ATTACK



AT REST



UNDER TOW

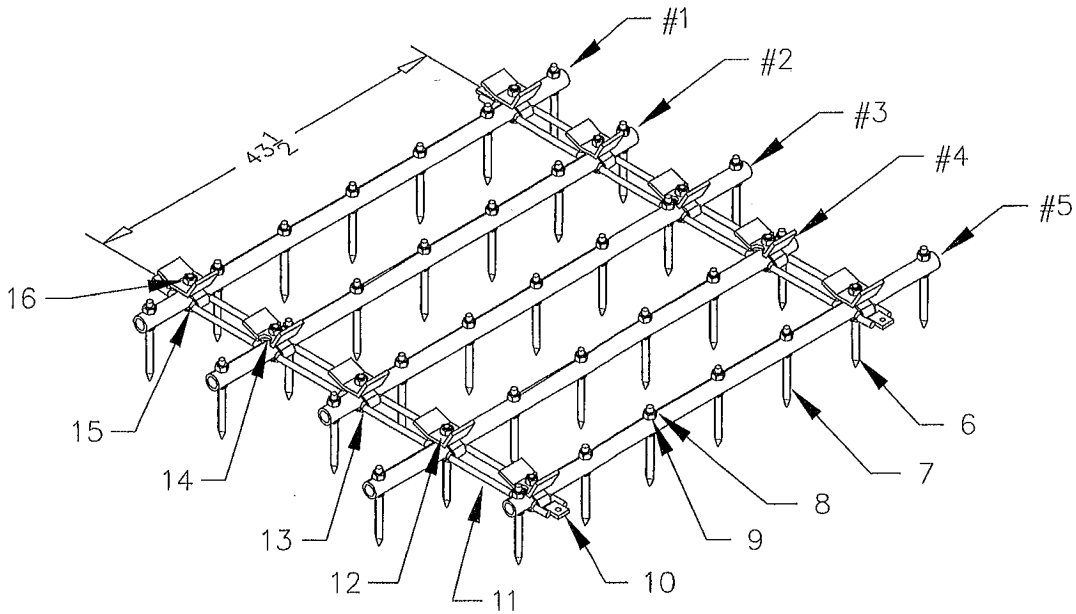
PULL THE HARROW AHEAD A FEW FEET TO CHECK THAT EVERYTHING IS PROPERLY ASSEMBLED AND THAT NOTHING IS BINDING OR OUT OF ALIGNMENT.

CHECK THAT ALL BOLTS AND NUTS ARE TIGHT.

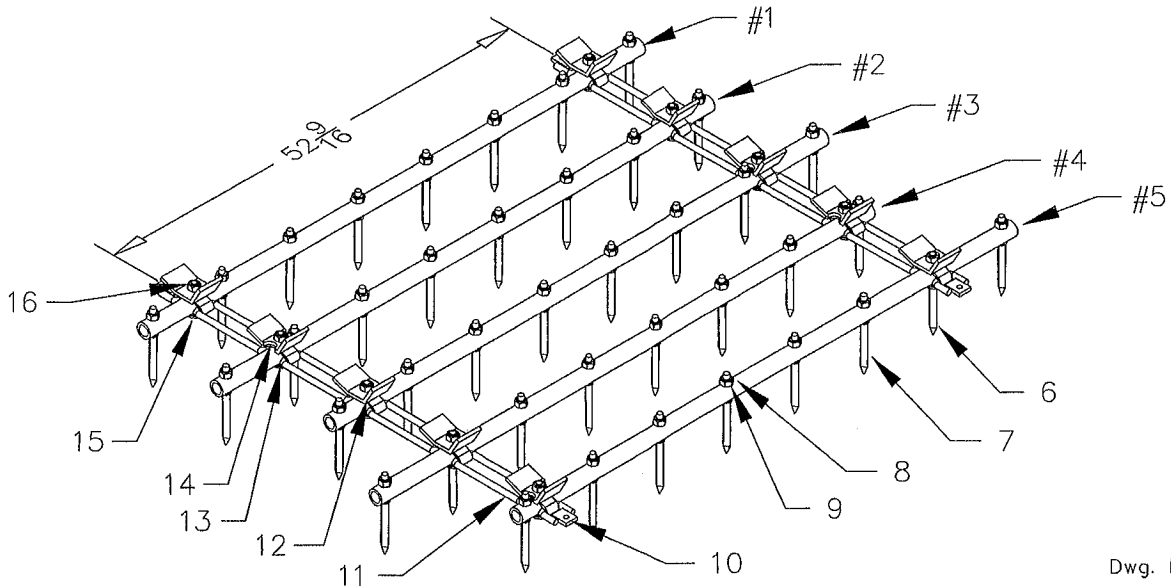
ADJUST THE FRONT HEIGHT BAR SO THAT WHEN THE HARROWS ARE BEING PULLED IN THE FIELD POSITION THE PULL CHAINS PULL THE HARROW SECTIONS STRAIGHT ON AND AT A SLIGHT UPWARD ANGLE.

ADJUST THE LIFT CHAINS SO THE HARROW SECTIONS DO NOT DRAG ON THE GROUND WHEN IN THE TRANSPORT POSITION.

5 BAR SPIKE TOOTH HARROW



REF. NO.	PART NUMBER	DESCRIPTION	No. REQ'D	REF. NO.	PART NUMBER	DESCRIPTION	No. REQ'D
	10261	HARROW SECTION COMPLETE 5'		9	90134	WASHER 1/2" LOCK	33
#1	***	HARROW BAR 7 TOOTH	1	10	10251	PULL	4
#2	***	HARROW BAR 7 TOOTH	1	11	10252	CONNECTOR LINK	8
#3	***	HARROW BAR 7 TOOTH	1	12	10253	LINK CAP - PLAIN	6
#4	***	HARROW BAR 7 TOOTH	1	13	10218	LINK CAP CLIP	10
#5	***	HARROW BAR 7 TOOTH	1	14	10254	LINK CAP - NOTCHED	4
6	10262	1/2"NC x 3" SPIKE TOOTH SHANK	2	15	90193	BOLT 1/2"NC x 3"	8
7	10250	1/2"NC x 2-1/2" SPIKE TOOTH SHANK	33	16	90192	NUT 1/2"NC DEFORMED	10
8	90138	NUT 1/2"NC	33				

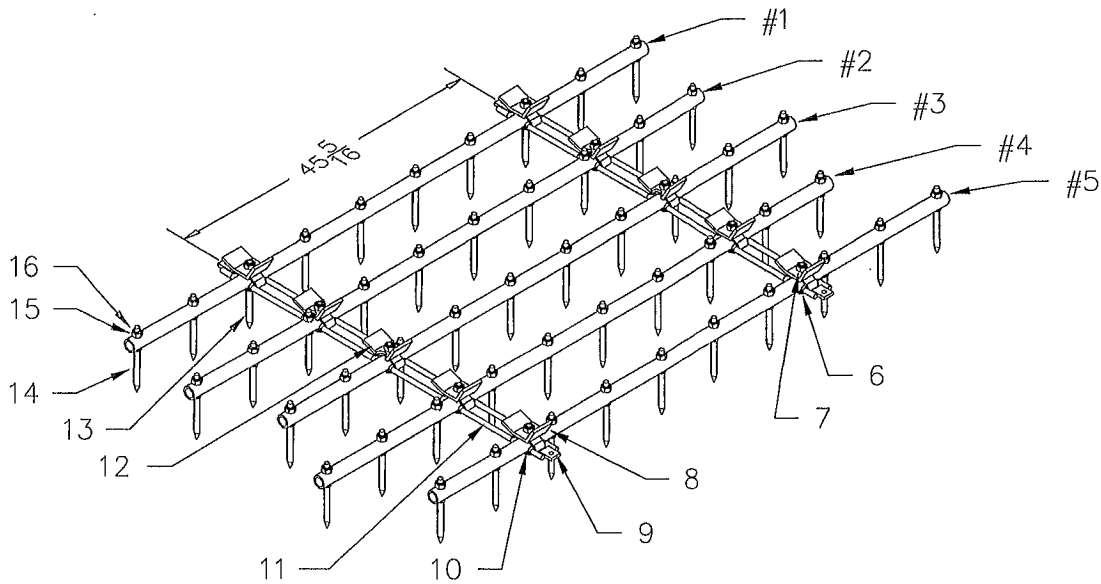


Dwg. No. 00044

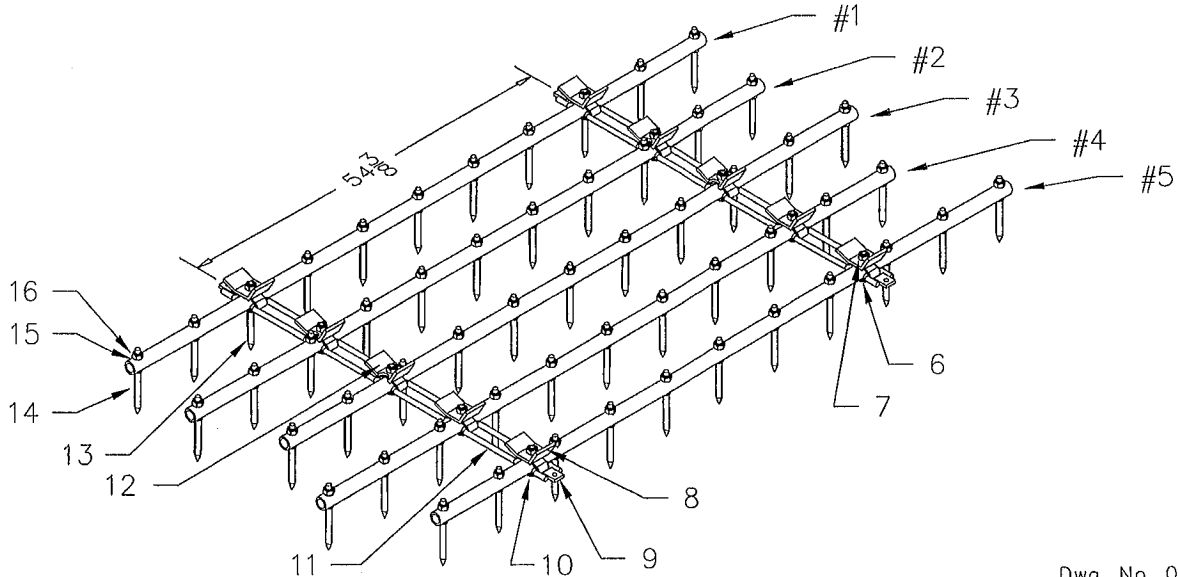
REF. NO.	PART NUMBER	DESCRIPTION	No. REQ'D	REF. NO.	PART NUMBER	DESCRIPTION	No. REQ'D
	10256	HARROW SECTION COMPLETE 6'		9	90134	WASHER 1/2" LOCK	38
#1	***	HARROW BAR 8 TOOTH	1	10	10251	PULL	4
#2	***	HARROW BAR 8 TOOTH	1	11	10252	CONNECTOR LINK	8
#3	***	HARROW BAR 8 TOOTH	1	12	10253	LINK CAP - PLAIN	6
#4	***	HARROW BAR 8 TOOTH	1	13	10218	LINK CAP CLIP	10
#5	***	HARROW BAR 8 TOOTH	1	14	10254	LINK CAP - NOTCHED	4
6	10262	1/2"NC x 3" SPIKE TOOTH SHANK	2	15	90193	BOLT 1/2"NC x 3"	8
7	10250	1/2"NC x 2-1/2" SPIKE TOOTH SHANK	38	16	90192	NUT 1/2"NC DEFORMED	10
8	90138	NUT 1/2"NC	38				

03 HARROW SECTIONS

5 BAR SPIKE TOOTH HARROW



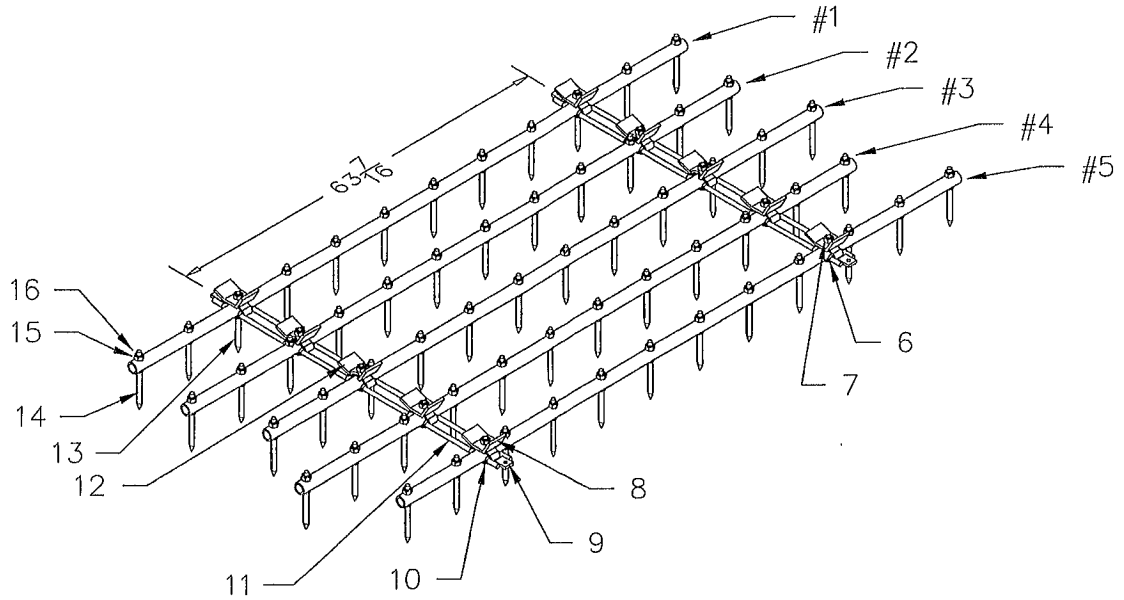
REF. NO.	PART NUMBER	DESCRIPTION	No. REQ'D	REF. NO.	PART NUMBER	DESCRIPTION	No. REQ'D
#1	10257 ***	HARROW SECTION COMPLETE 7-1/2'	1	9	10251	PULL	4
#2	***	HARROW BAR 10 TOOTH	1	10	10218	LINK CAP CLIP	10
#3	***	HARROW BAR 10 TOOTH	1	11	10252	CONNECTOR LINK	8
#4	***	HARROW BAR 10 TOOTH	1	12	10254	LINK CAP - NOTCHED	4
#5	***	HARROW BAR 10 TOOTH	1	13	10262	1/2"NC x 3" SPIKE TOOTH SHANK	2
6	90193	BOLT 1/2"NC x 3"	8	14	10250	1/2"NC x 2-1/2" SPIKE TOOTH SHANK	48
7	90192	NUT 1/2"NC DEFORMED	10	15	90134	WASHER 1/2" LOCK	48
8	10253	LINK CAP - PLAIN	6	16	90138	NUT 1/2"NC	48



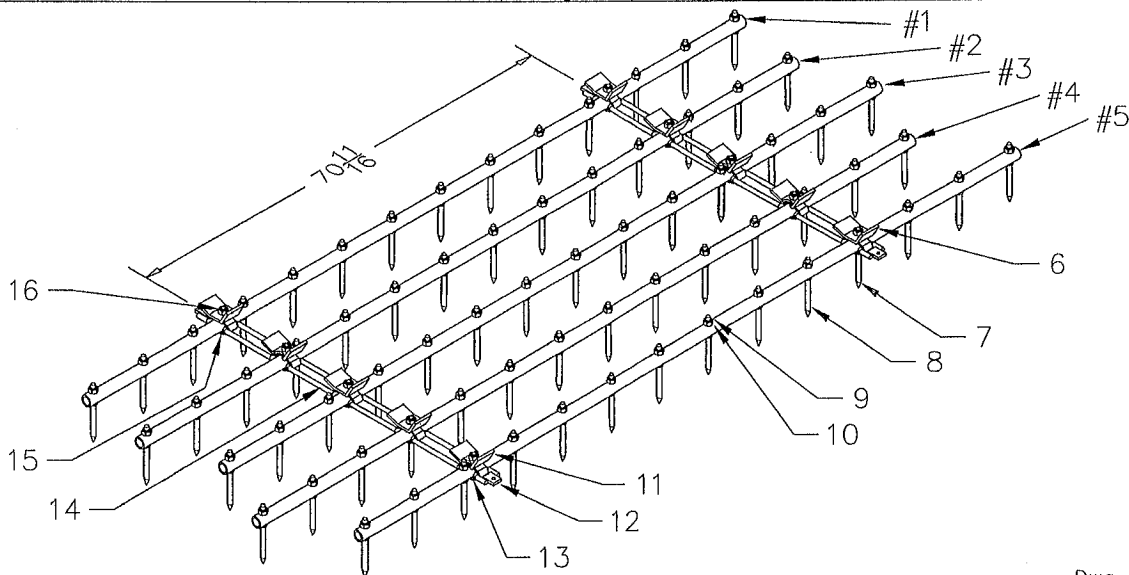
Dwg. No. 00045

REF. NO.	PART NUMBER	DESCRIPTION	No. REQ'D	REF. NO.	PART NUMBER	DESCRIPTION	No. REQ'D
#1	10258	HARROW SECTION COMPLETE 8'	1	9	10251	PULL	4
#2	***	HARROW BAR 11 TOOTH	1	10	10218	LINK CAP CLIP	10
#3	***	HARROW BAR 11 TOOTH	1	11	10252	CONNECTOR LINK	8
#4	***	HARROW BAR 11 TOOTH	1	12	10254	LINK CAP - NOTCHED	4
#5	***	HARROW BAR 11 TOOTH	1	13	10262	1/2"NC x 3" SPIKE TOOTH SHANK	2
6	90193	BOLT 1/2"NC x 3"	8	14	10250	1/2"NC x 2-1/2" SPIKE TOOTH SHANK	53
7	90192	NUT 1/2"NC DEFORMED	10	15	90134	WASHER 1/2" LOCK	53
8	10253	LINK CAP - PLAIN	6	16	90138	NUT 1/2"NC	53

5 BAR SPIKE TOOTH HARROW



REF. NO.	PART NUMBER	DESCRIPTION	No. REQ'D	REF. NO.	PART NUMBER	DESCRIPTION	No. REQ'D
#1	10259	HARROW SECTION COMPLETE 9'		9	10251	PULL	4
***		HARROW BAR 12 TOOTH	1	10	10218	LINK CAP CLIP	10
#2	***	HARROW BAR 12 TOOTH	1	11	10252	CONNECTOR LINK	8
***		HARROW BAR 12 TOOTH	1	12	10254	LINK CAP - NOTCHED	4
#3	***	HARROW BAR 12 TOOTH	1	13	10262	1/2"NC x 3" SPIKE TOOTH SHANK	2
***		HARROW BAR 12 TOOTH	1	14	10250	1/2"NC x 2-1/2" SPIKE TOOTH SHANK	58
#4	***	HARROW BAR 12 TOOTH	1	15	90134	WASHER 1/2" LOCK	58
6	90193	BOLT 1/2"NC x 3"	8	16	90138	NUT 1/2"NC	58
7	90192	NUT 1/2"NC DEFORMED	10				
8	10253	LINK CAP - PLAIN	6				



Dwg. No. 00046

REF. NO.	PART NUMBER	DESCRIPTION	No. REQ'D	REF. NO.	PART NUMBER	DESCRIPTION	No. REQ'D
#1	10260	HARROW SECTION COMPLETE 10'		9	90138	NUT 1/2"NC	68
***		HARROW BAR 14 TOOTH	1	10	90134	WASHER 1/2" LOCK	68
#2	***	HARROW BAR 14 TOOTH	1	11	10254	LINK CAP - NOTCHED	4
***		HARROW BAR 14 TOOTH	1	12	10251	PULL	4
#3	***	HARROW BAR 14 TOOTH	1	13	10218	LINK CAP CLIP	10
***		HARROW BAR 14 TOOTH	1	14	10252	CONNECTOR LINK	8
#4	***	HARROW BAR 14 TOOTH	1	15	90193	BOLT 1/2"NC x 3"	8
***		HARROW BAR 14 TOOTH	1	16	90192	NUT 1/2"NC DEFORMED	10
6	10253	LINK CAP - PLAIN	6				
7	10262	1/2"NC x 3" SPIKE TOOTH SHANK	2				
8	10250	1/2"NC x 2-1/2" SPIKE TOOTH SHANK	68				