

Quality Built Since 1973



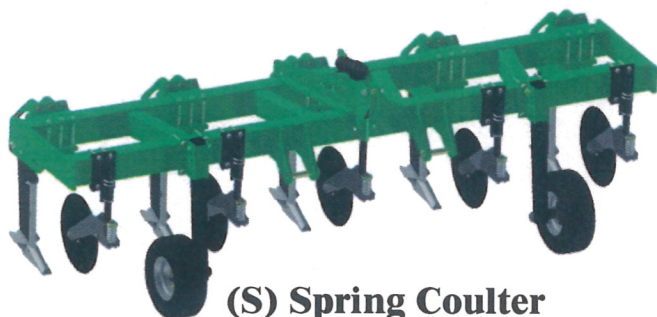
SETUP AND PARTS MANUAL

4500 Series RIPPER

(R) Rigid Coultter



**(RCW) Rigid Coultter
With Closing Wheels**



(S) Spring Coultter



**(SCW) Spring Coultter
With Closing Wheels**

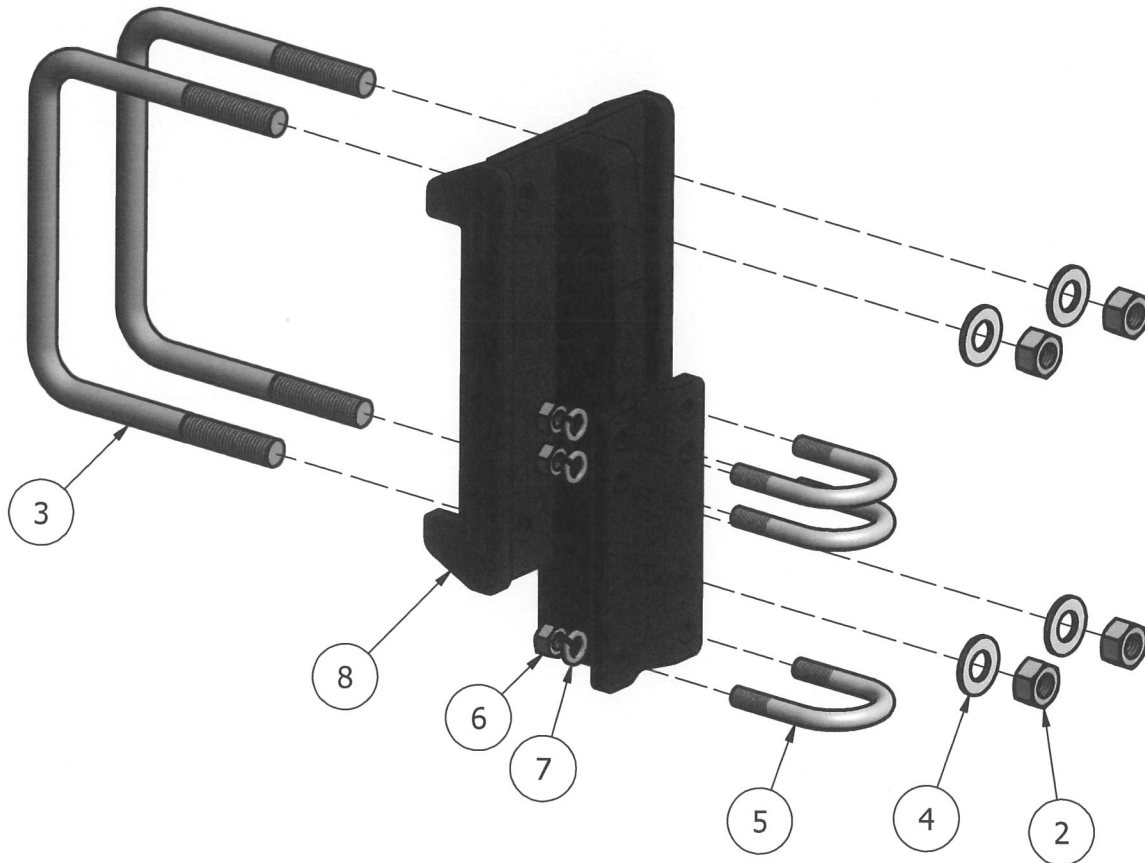
Model No's.
45330R
3 Row 30" Spacing
45336R
3 Row 36" Spacing
45530R
5 Row 30" Spacing
45536R
5 Row 36" Spacing
45730R
7 Row 30" Spacing
45736R
7 Row 36" Spacing
45930R
9 Row 30" Spacing

Model No's.
45330RCW
3 Row 30" Spacing
45336RCW
3 Row 36" Spacing
45530RCW
5 Row 30" Spacing
45536RCW
5 Row 36" Spacing
45730RCW
7 Row 30" Spacing
45736RCW
7 Row 36" Spacing
45930RCW
9 Row 30" Spacing

Model No's.
45330S
3 Row 30" Spacing
45336S
3 Row 36" Spacing
45530S
5 Row 30" Spacing
45536S
5 Row 36" Spacing
45730S
7 Row 30" Spacing
45736S
7 Row 36" Spacing
45930S
9 Row 30" Spacing

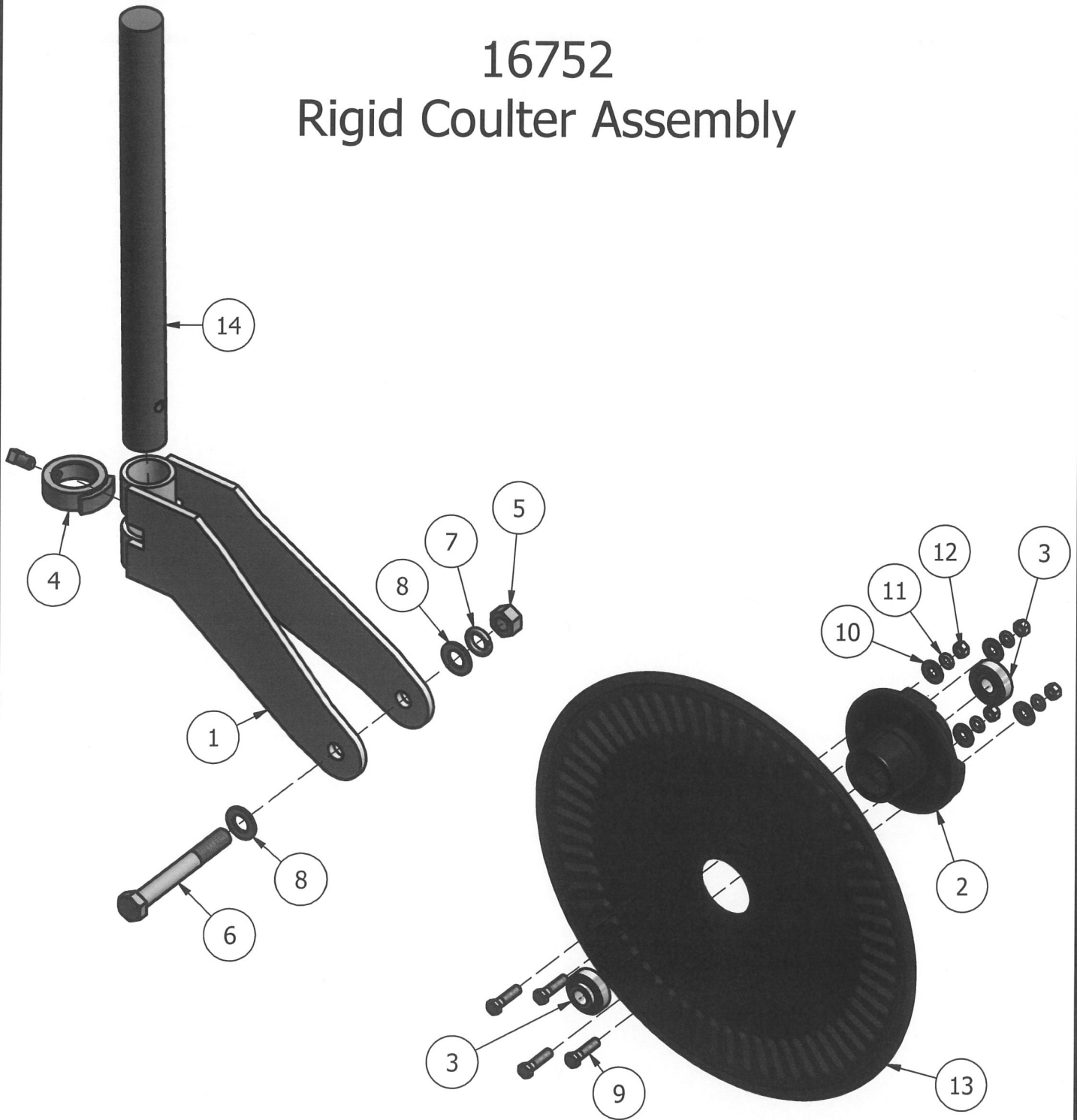
Model No's.
45330SCW
3 Row 30" Spacing
45336SCW
3 Row 36" Spacing
45530SCW
5 Row 30" Spacing
45536SCW
5 Row 36" Spacing
45730SCW
7 Row 30" Spacing
45736SCW
7 Row 36" Spacing
45930SCW
9 Row 30" Spacing

16586 Coulter Mounting Bracket

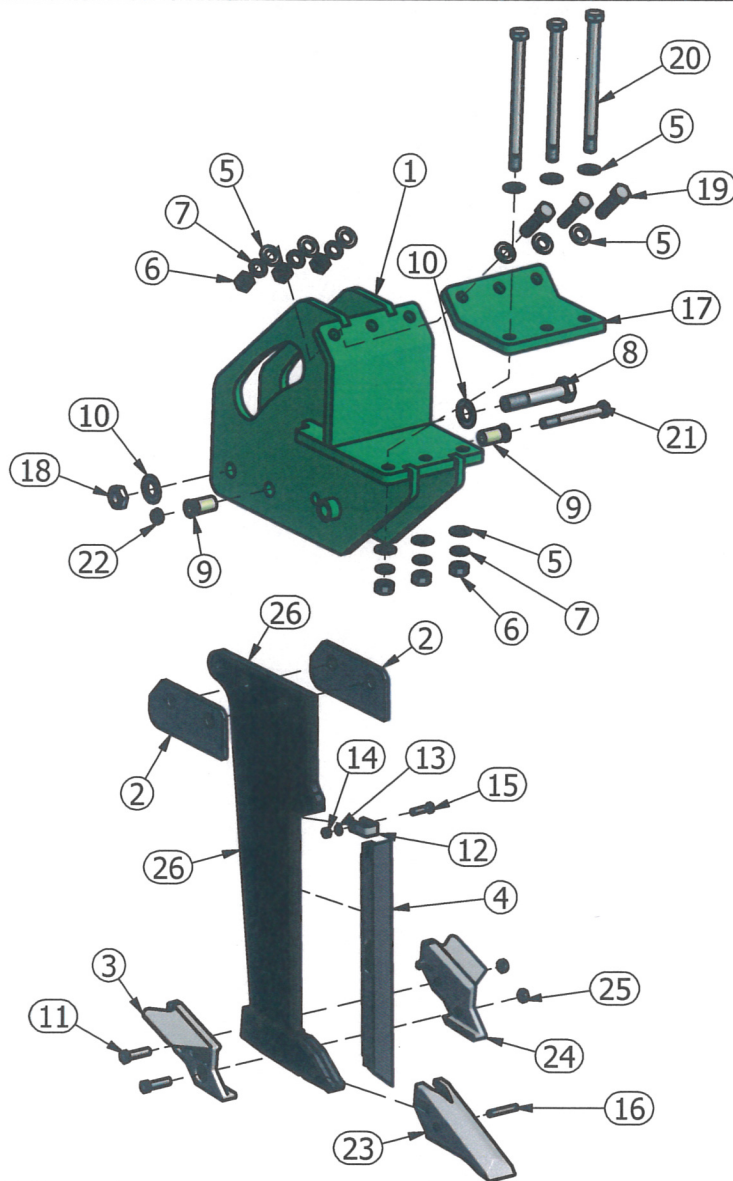


PARTS LIST				PARTS LIST			
ITEM	PART#	DESCRIPTION	QTY	ITEM	PART#	DESCRIPTION	QTY
1	16586	Coulter Mounting Bracket	1	5	94026	U-Bolt 7/16" x 2-3/4" NC	3
2	90137	5/8" Nut	4	6	90171	7/16" Nut	6
3	14804	5 x 7 u-bolt	2	7	90172	7/16" Lock Washer	6
4	90124	5/8" Flat Washer	4				

16752 Rigid Coulter Assembly



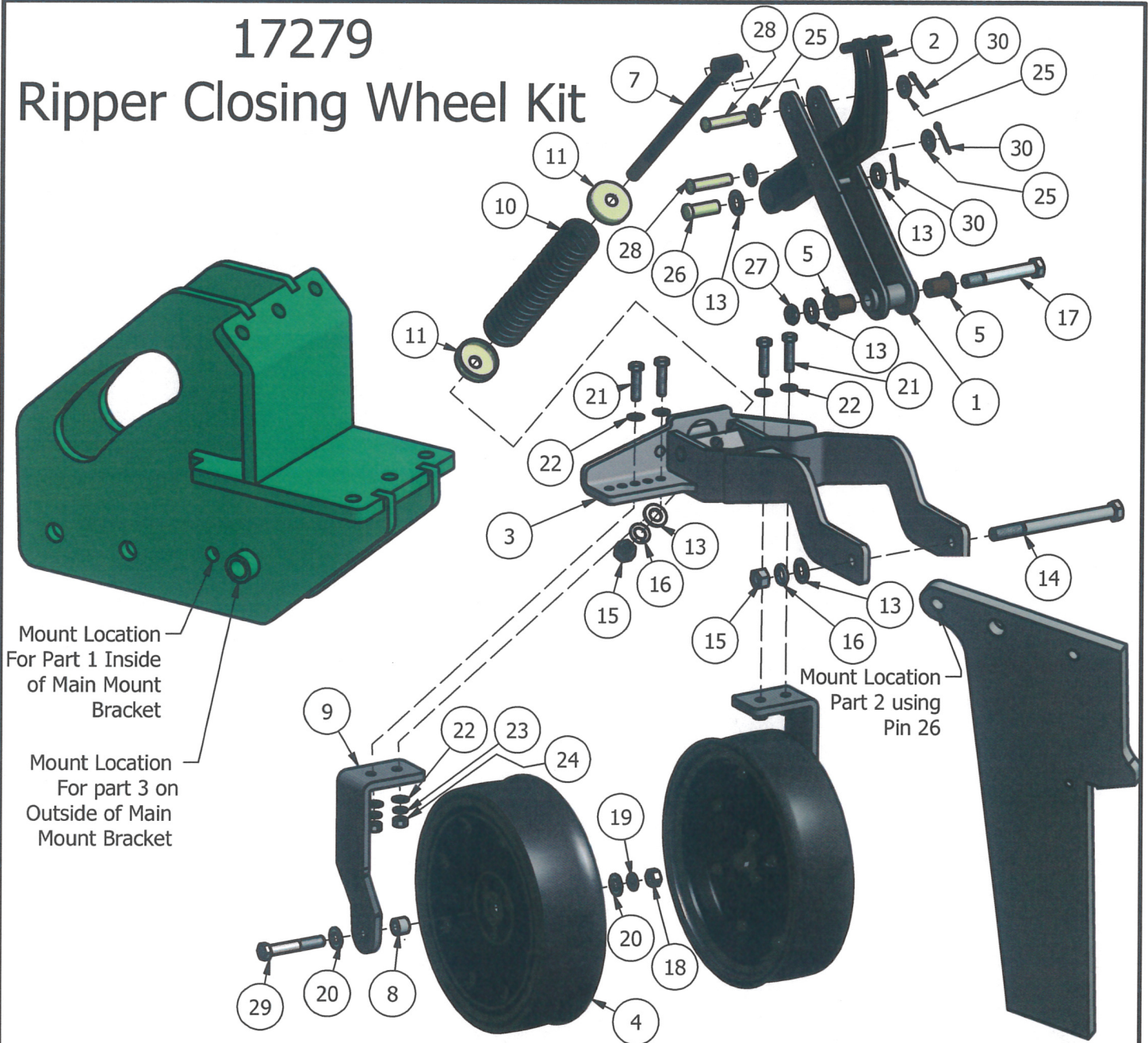
PARTS LIST				PARTS LIST			
ITEM	PART#	DESCRIPTION	QTY	ITEM	PART#	DESCRIPTION	QTY
1	10660	Rigid Coulter Yoke	1	8	90167	Flat Washer 3/4"	2
2	10652	Coulter Hub Sub Soiler dh	1	9	90240	3/8" x 1-1/2" Bolt	4
3	10654	Coulter Bearing	2	10	90224	3/8" Flat Washer	4
4	90183	Lock Collar	1	11	90121	3/8" Lock Washer	4
5	90160	3/4" nut	1	12	90118	3/8" Nut	4
6	90162	3/4" x 6" Bolt	1	13	10653	Coulter Blade	1
7	90158	3/4" Lock Washer	1	14	16793	Coulter Shank for sub soiler	1



PARTS LIST				PARTS LIST			
ITEM	PART#	DESCRIPTION	QTY	ITEM	PART#	DESCRIPTION	QTY
1	16568	5 x 7 mount assembly	1	15	90240	3/8" x 1-1/2" Bolt	1
2	16554	spacer Block insert	2	16	90163	.375 x 2.5 Roll Pin	1
3	16783	shank wing rh	1	17	16562	mount top plate	1
4	16651	Reversible Shank Protector	1	18	16775	1in deformed jam nut	1
5	90167	Flat Washer 3/4"	12	19	90156	3/4" x 3 Bolt	3
6	90160	3/4" nut	6	20	90462	3/4" x 10" Bolt	3
7	90158	3/4" Lock Washer	6	21	16771	5/8" x 5-1/2" Bolt	1
8	93079	1 x 6 bolt	1	22	16785	Nylon Locking jam Nut 5/8"	1
9	16598	Hardened bushing	2	23	16552	Shank Point with V	1
10	90112	1" Washer	2	24	16782	shank wing lh	1
11	90229	1/2" x 2" Bolt	2	25	16781	1/2" deformed jam nut	2
12	16578	Shank protector clip half	2	26	16572	Shank	1
13	90121	3/8" Lock Washer	1	27	16798	Shank FootSub Soiler short	2
14	90199	3/8" Nut	1				

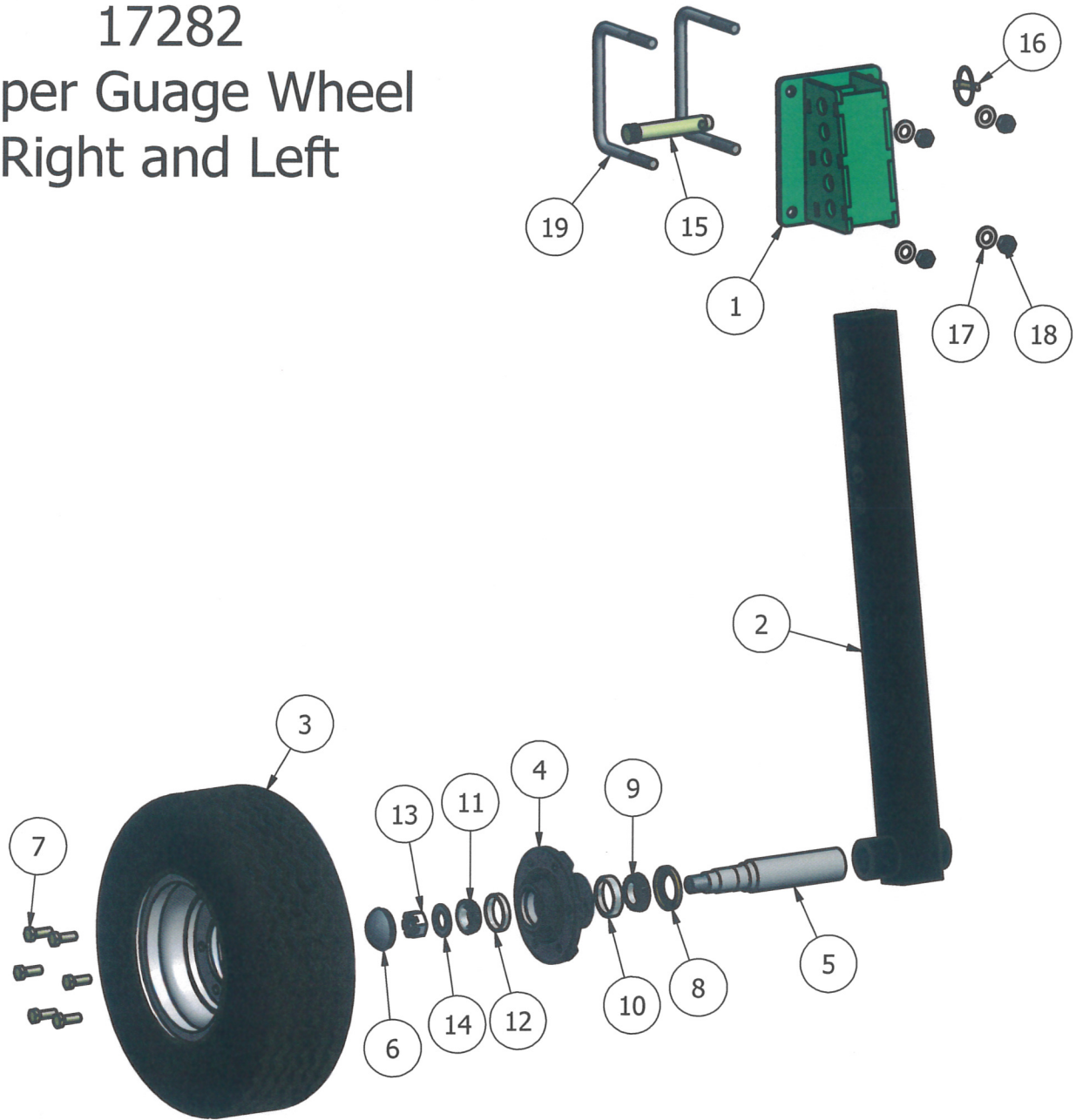
17279

Ripper Closing Wheel Kit



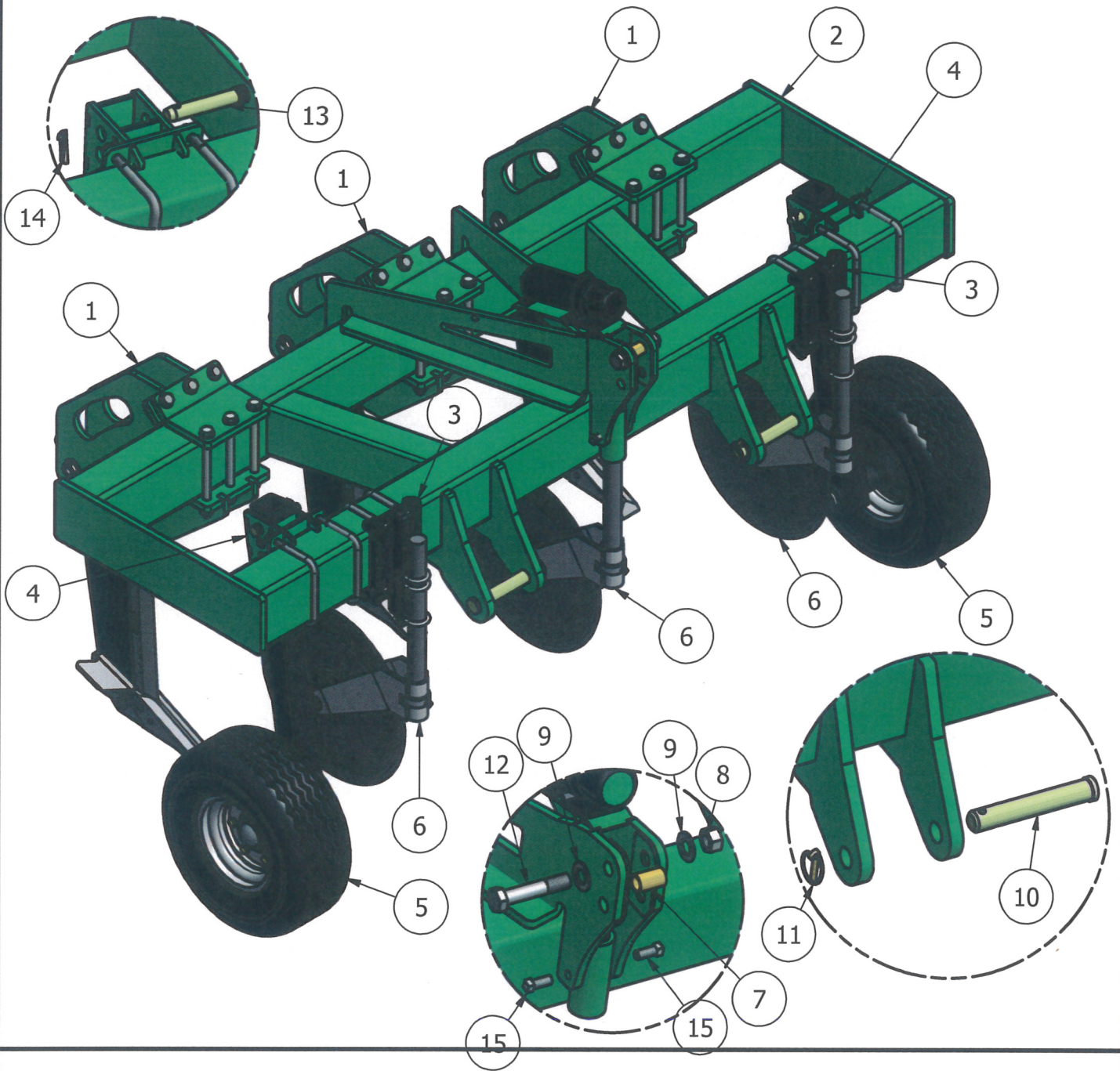
PARTS LIST				PARTS LIST			
ITEM	PART#	DESCRIPTION	QTY	ITEM	PART#	DESCRIPTION	QTY
1	16569	adjustment linkage assembly	1	16	90158	3/4" Lock Washer	2
2	16570	pressure adjustment assembly	1	17	11667	3/4" x 5-1/8" Bolt	1
3	16571	wheel arm assembly	1	18	90272	.625 deformed nut	2
4	16780	Shoup guage wheel	2	19	90123	5/8" Lock Washer	2
5	90332	Bushing	2	20	90124	5/8" Flat Washer	4
6	16787	Spacer Block top long spring	1	21	90229	1/2" x 2" Bolt	4
7	11047	3/4" x 14" Bolt	1	22	90131	1/2" Flat Washer	8
8	16786	Press wheel spacer	2	23	90134	1/2" Lock Washer	4
9	16574	Guage wheel bracket	2	24	90138	1/2" nut	4
10	16576	Pressure adjustment spring	1	25	90228	5/8" Flat Washer	4
11	16577	Spring cup	2	26	16792	Shank Clevis Pin	1
12	16584	Spring Base Block	1	27	16776	Nylon Locking Jam Nut 3/4"	1
13	90167	Flat Washer 3/4"	5	28	16791	3in clevis pin	2
14	90145	3/4" x 9" Bolt	1	29	16695	5/8" x 4" Bolt	2
15	90160	3/4" nut	2	30	90104	Cotter Pin	3

17282 Ripper Guage Wheel Right and Left



PARTS LIST				PARTS LIST			
ITEM	PART #	DESCRIPTION	QTY	ITEM	PART#	DESCRIPTION	QTY
1	16587	Guage wheel mount	1	11	10613	Outer Bearing	1
2	16774	Guage wheel arm assembly	1	12	10614	Outer Race	1
3	16758	20 5 x 8 x 10 wheel	1	13	90146	Castle Nut	1
4	10611	Hub Only	1	14	90112	1" Washer	1
5	16773	guage wheel axle shaft	1	15	16778	Guage Wheel Pin	1
6	10617	Dust Cap	1	16	90116	Lynch Pin 7/16" x 1-3/4"	1
7	90420	Wheel Stud	6	17	90124	5/8" Flat Washer	1
8	10616	Dust Seal	1	18	90137	5/8" Nut	1
9	10584	Inner Bearing	1	19	14804	5" x 7" x 5/8" U-bolt	1
10	10587	Inner Race	1				

45530R

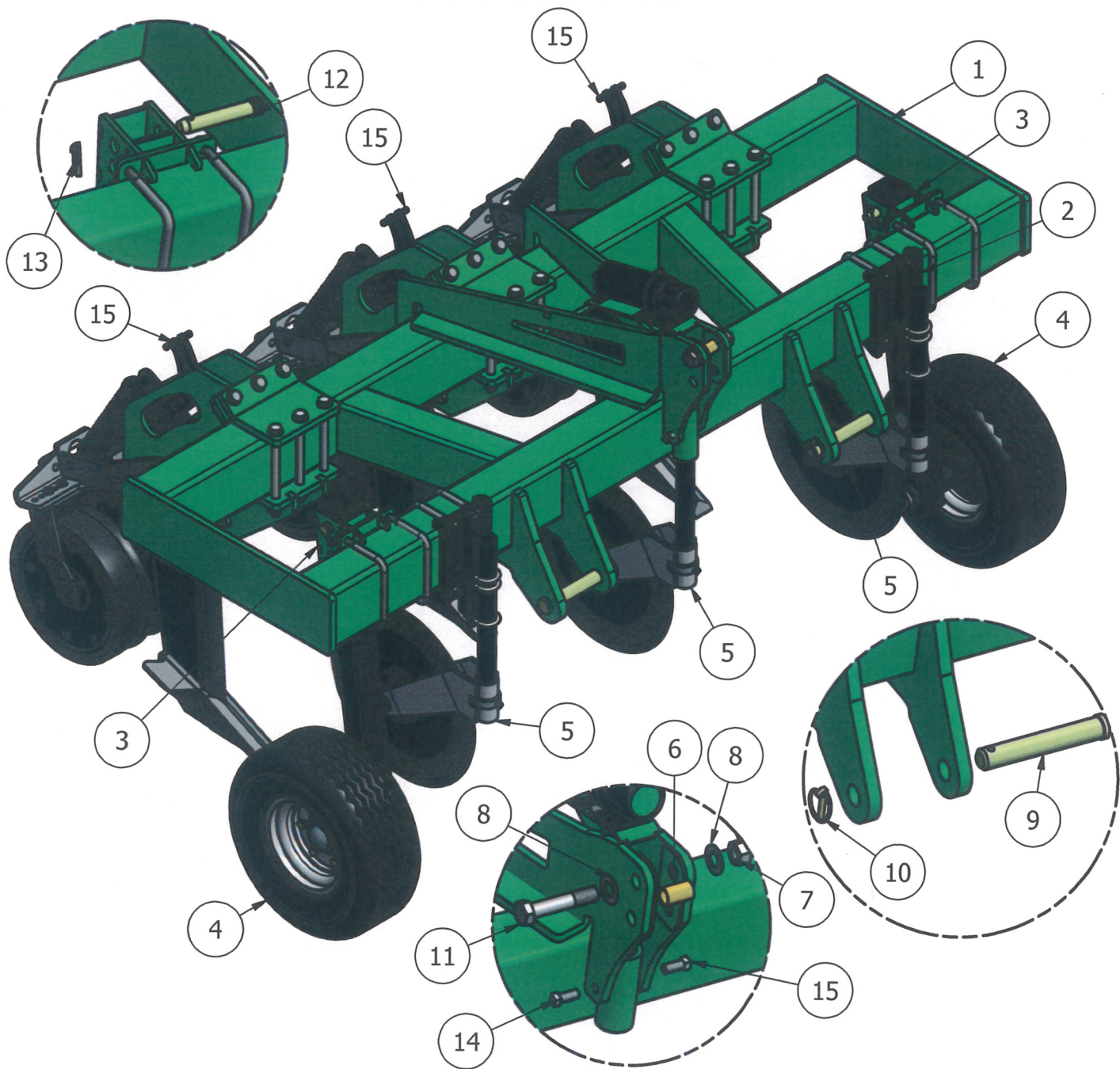


PARTS LIST

PARTS LIST

ITEM	PART#	DESCRIPTION	QTY	ITEM	PART#	DESCRIPTION	QTY
1	16753	Row Unit	3	9	90112	1" Washer	2
2	16682	5 row 30 subsoiler frame	1	10	90114	Cat 3 pin	2
3	16586	Sub Soiler Coulter Mount	2	11	90116	Lynch Pin 7/16" x 1-3/4"	2
4	16587	Guage wheel mount	2	12	93079	1 x 6 Bolt	1
5	16772	Guage Wheel Assembly	2	13	16778	Guage Wheel Pin	2
6	16752	Rigid Coulter Assembly	3	14	90115	Lynch Pin 7/16" x 1-1/2"	2
7	90109	Top Link Bushing	1	15	90412	5/8" x 1-1/2" Sq. HD Bolt	2
8	90111	1in Deformed Nut	1				

45330RCW



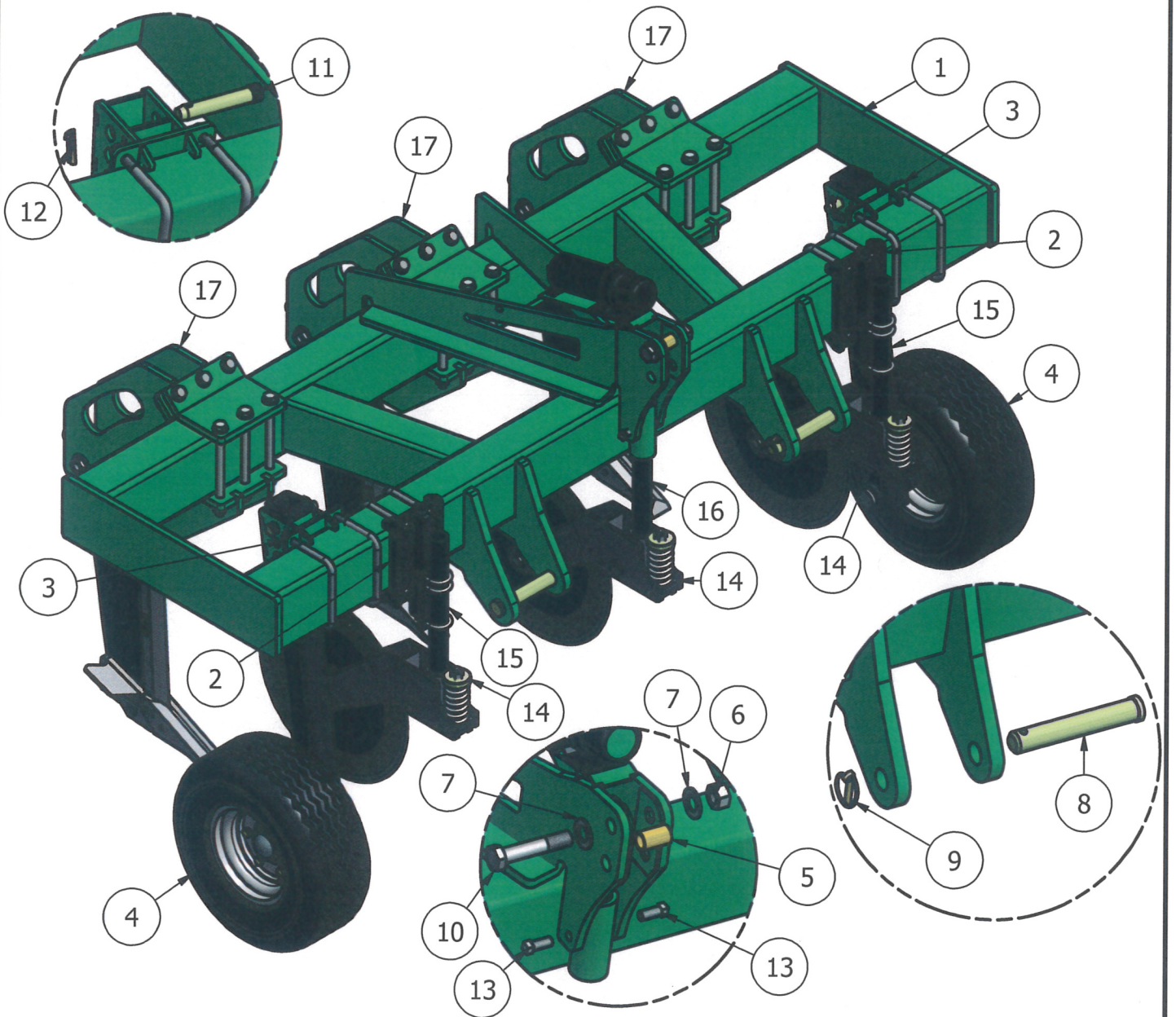
PARTS LIST

ITEM	PART#	DESCRIPTION	QTY
1	16682	5 row 30 subsoiler frame	1
2	16586	Sub Soiler Coulter Mount	2
3	16587	Guage wheel mount	2
4	16772	Guage Wheel Assembly	2
5	16752	Rigid Coulter Assembly	3
6	90109	Top Link Bushing	1
7	90111	1in Deformed Nut	1
8	90112	1" Washer	2

PARTS LIST

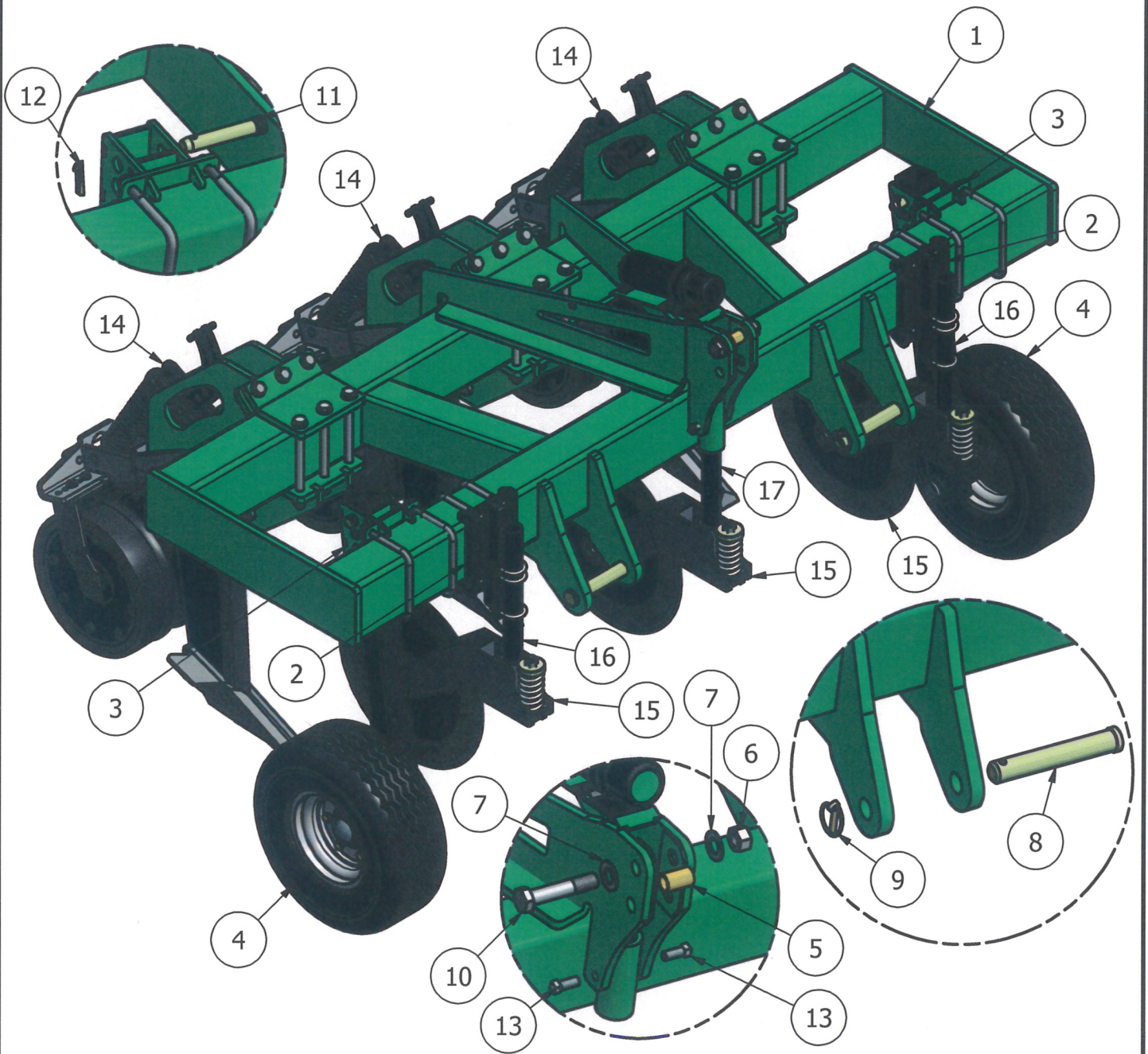
ITEM	PART#	DESCRIPTION	QTY
9	90114	Cat 3 pin	2
10	90116	Lynch Pin 7/16" x 1-3/4"	2
11	93079	1 x 6 Bolt	1
12	16778	Guage Wheel Pin	2
13	90115	Lynch Pin 7/16" x 1-1/2"	2
14	90412	5/8" x 1-1/2" Sq. HD Bolt	2
15	16754	Row Unit W/Closing wheels	3

45330S

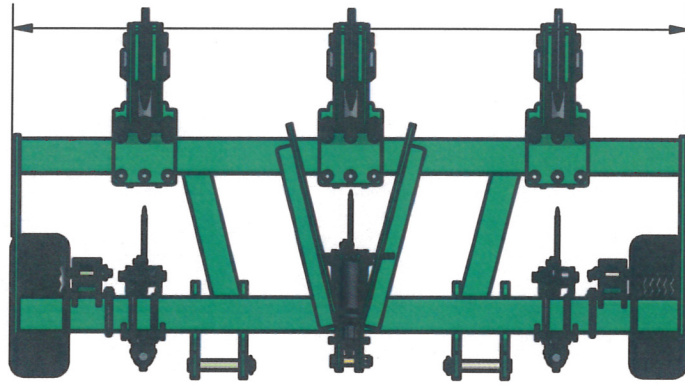


PARTS LIST				PARTS LIST			
ITEM	PART#	DESCRIPTION	QTY	ITEM	PART#	DESCRIPTION	QTY
1	16682	5 row 30 subsoiler frame	1	10	93079	1 x 6 Bolt	1
2	16586	Sub Soiler Coulter Mount	2	11	16778	Guage Wheel Pin	2
3	16587	Guage wheel mount	2	12	90115	Lynch Pin 7/16" x 1-1/2"	2
4	16772	Guage Wheel Assembly	2	13	90412	5/8" x 1-1/2" Sq. HD Bolt	2
5	90109	Top Link Bushing	1	14	16763	Spring Loaded Coulter	3
6	90111	1in Deformed Nut	1	15	16793	Coulter Shank for sub soiler	2
7	90112	1" Washer	2	16	16794	Coulter Shank for center	1
8	90114	Cat 3 pin	2	17	16753	Row Unit	3
9	90116	Lynch Pin 7/16" x 1-3/4"	2				

45330SCW



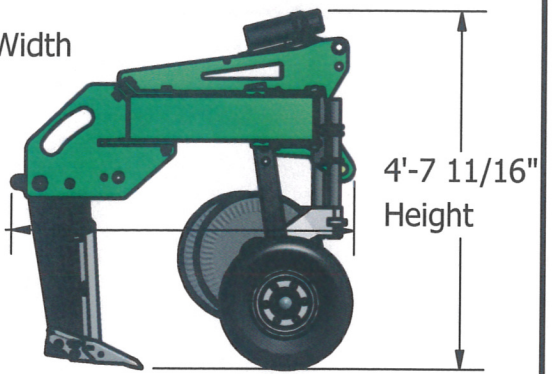
PARTS LIST				PARTS LIST			
ITEM	PART#	DESCRIPTION	QTY	ITEM	PART#	DESCRIPTION	QTY
1	16682	5 row 30 subsoiler frame	1	10	93079	1 x 6 Bolt	1
2	16586	Sub Soiler Coulter Mount	2	11	16778	Guage Wheel Pin	2
3	16587	Guage wheel mount	2	12	90115	Lynch Pin 7/16" x 1-1/2"	2
4	16772	Guage Wheel Assembly	2	13	90412	5/8" x 1-1/2" Sq. HD Bolt	2
5	90109	Top Link Bushing	1	14	16754	Row Unit W/Closing wheels	3
6	90111	1in Deformed Nut	1	15	16763	Spring Loaded Coulter	3
7	90112	1" Washer	2	16	16793	Coulter Shank for sub soiler	2
8	90114	Cat 3 pin	2	17	16794	Coulter Shank for center	1
9	90116	Lynch Pin 7/16" x 1-3/4"	2				



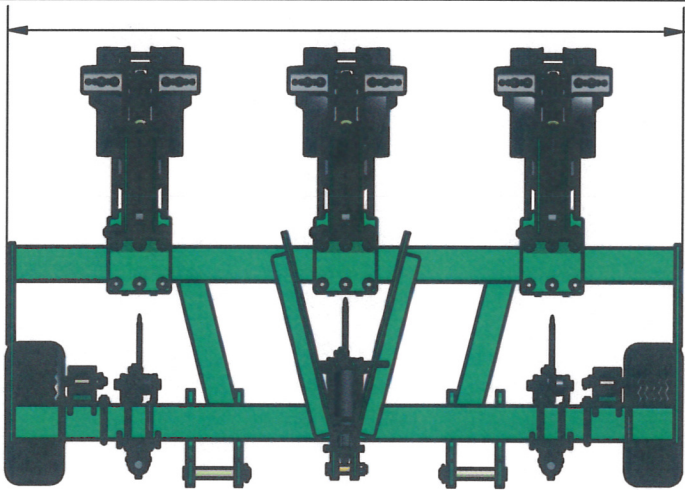
8'-2 3/16"
Transport Width

45330R

4'-5 9/16"
Length



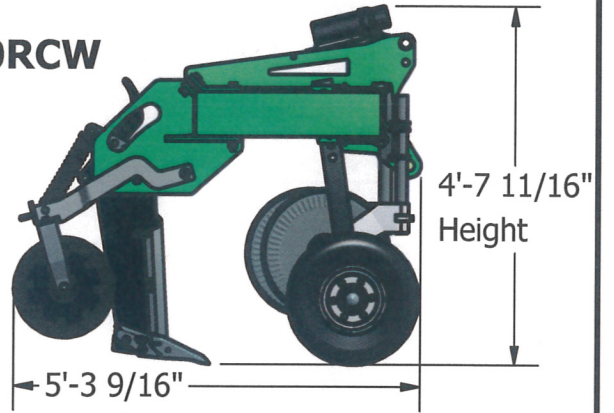
4'-7 11/16"
Height



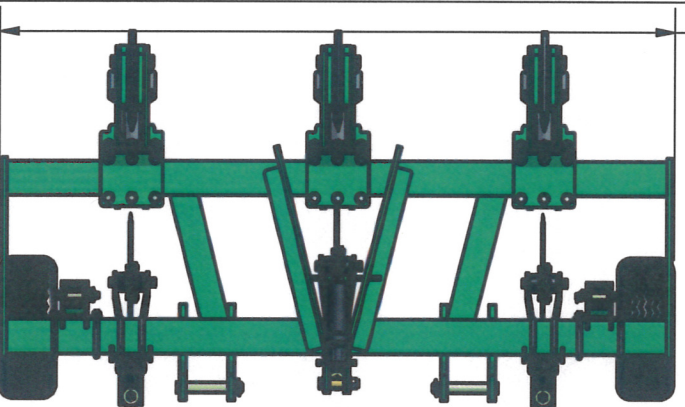
8'-2 3/16"
Transport Width

45330RCW

5'-3 9/16"
Length



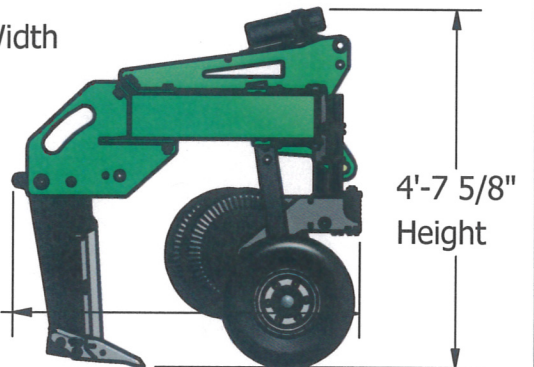
4'-7 11/16"
Height



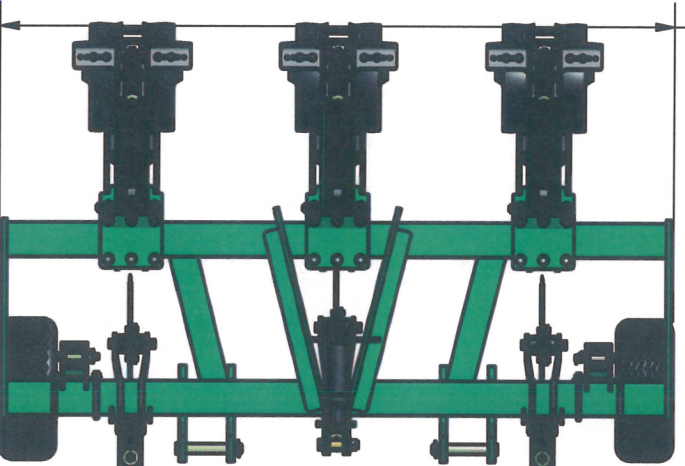
8'-2 3/16"
Transport Width

45330S

4'-6 1/4"
Length



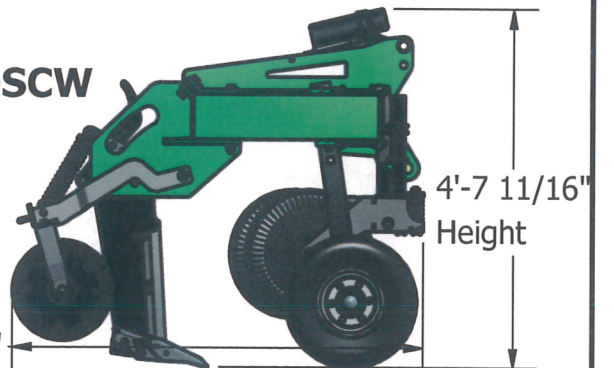
4'-7 5/8"
Height



8'-2 3/16"
Transport Width

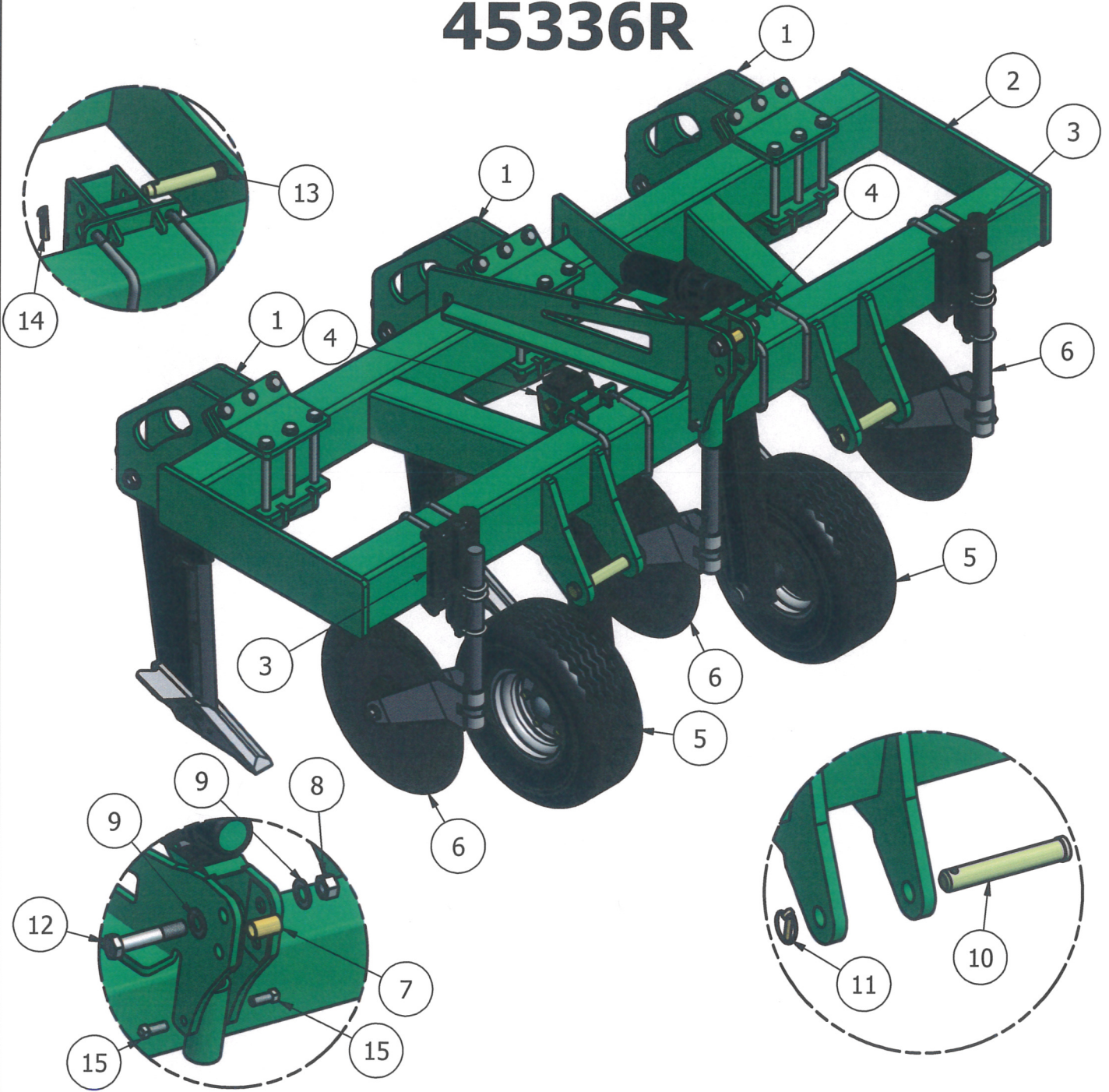
45330SCW

5'-4 1/4"
Length



4'-7 11/16"
Height

45336R



PARTS LIST

ITEM	PART#	DESCRIPTION	QTY
1	16753	Row Unit	3
2	16682	5 row 30 subsoiler frame	1
3	16586	Sub Soiler Coulter Mount	2
4	16587	Guage wheel mount	2
5	16772	Guage Wheel Assembly	2
6	16752	Rigid Coulter Assembly	3
7	90109	Top Link Bushing	1
8	90111	1in Deformed Nut	1

PARTS LIST

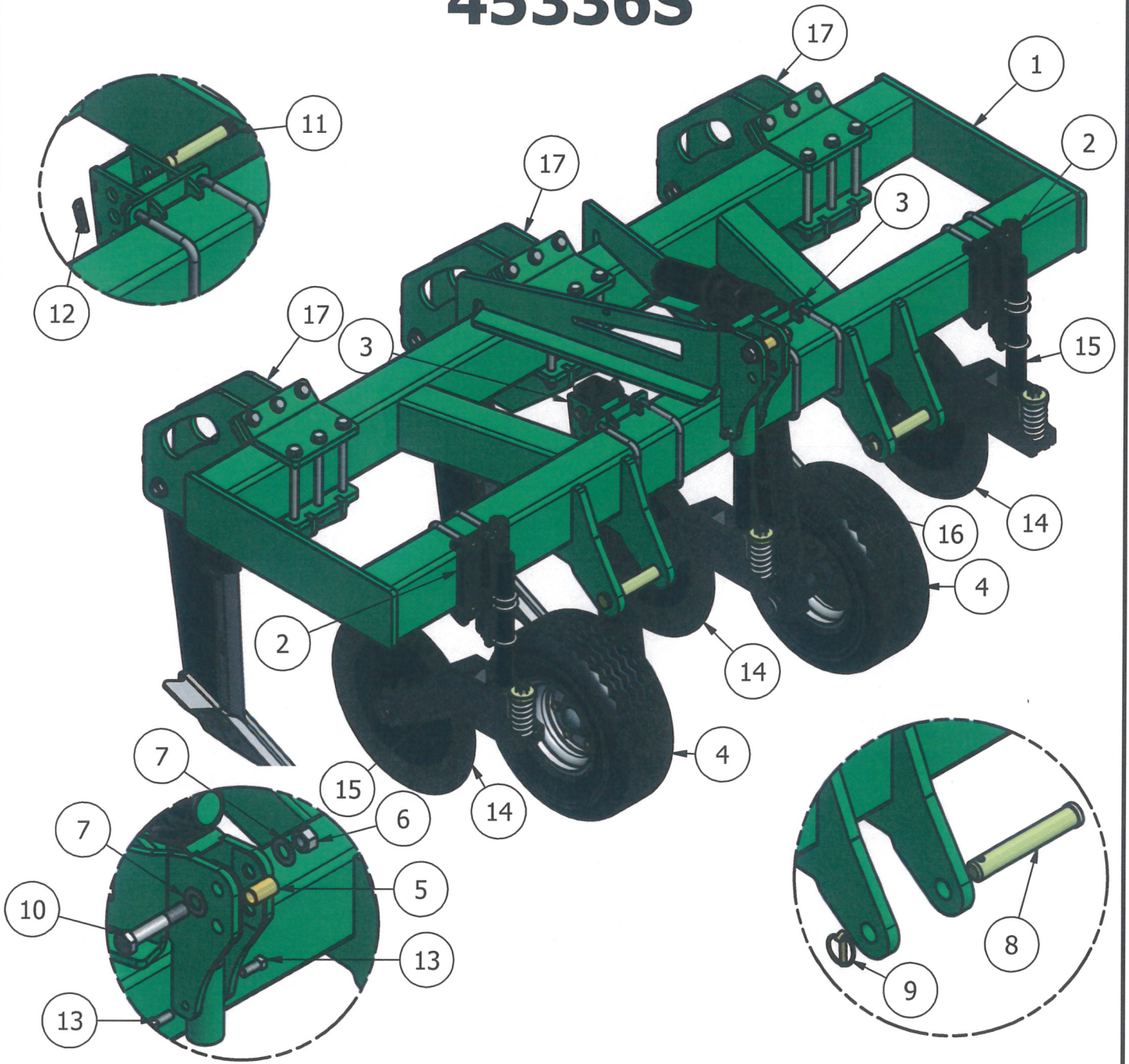
ITEM	PART#	DESCRIPTION	QTY
9	90112	1" Washer	2
10	90114	Cat 3 pin	2
11	90116	Lynch Pin 7/16" x 1-3/4"	2
12	93079	1 x 6 Bolt	1
13	16778	Guage Wheel Pin	2
14	90115	Lynch Pin 7/16" x 1-1/2"	2
15	90412	5/8" x 1-1/2" Sq. HD Bolt	2

45336RCW



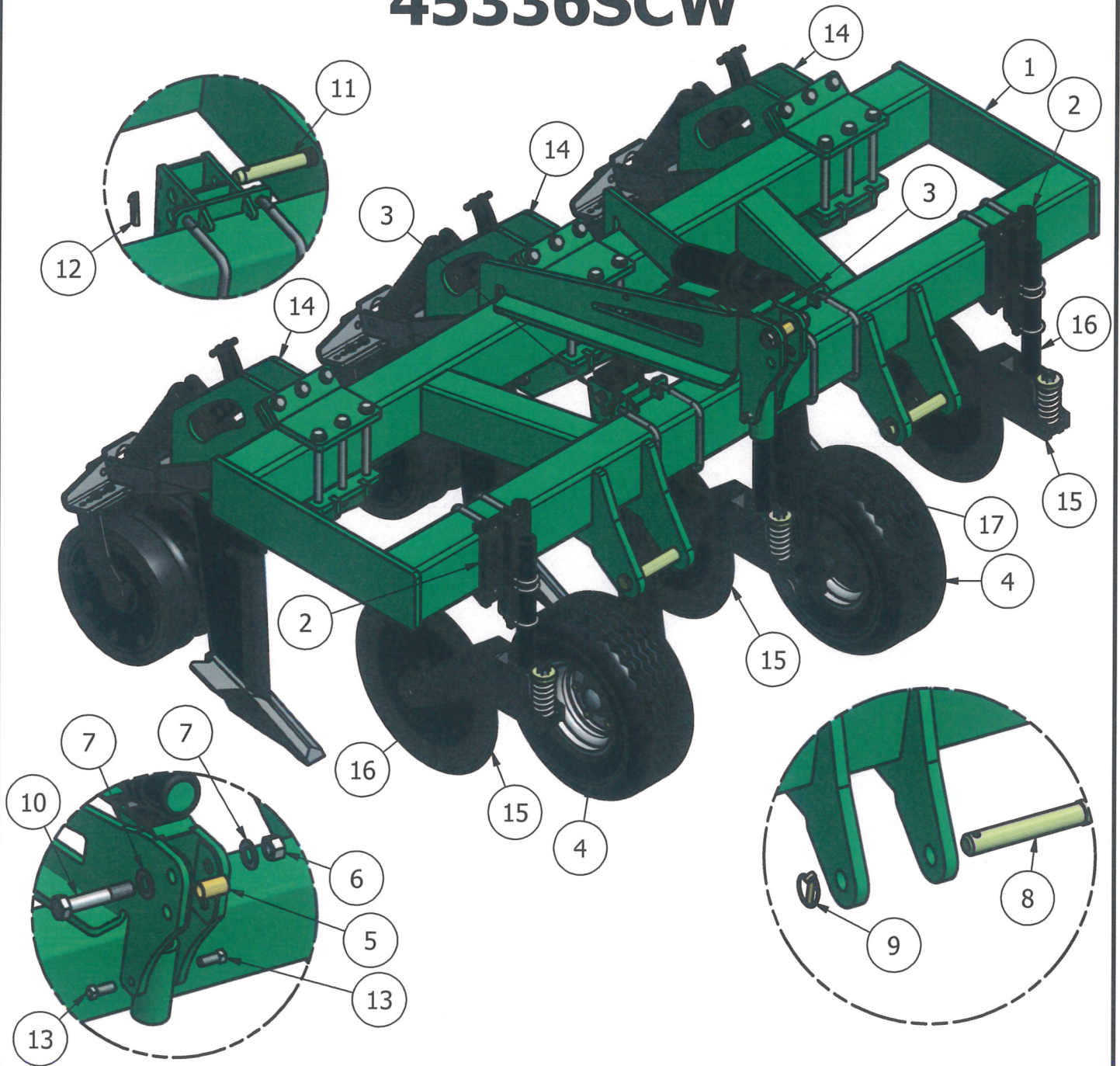
PARTS LIST				PARTS LIST			
ITEM	PART#	DESCRIPTION	QTY	ITEM	PART#	DESCRIPTION	QTY
1	16682	5 row 30 subsoiler frame	1	9	90114	Cat 3 pin	2
2	16586	Sub Soiler Coulter Mount	2	10	90116	Lynch Pin 7/16" x 1-3/4"	2
3	16587	Guage wheel mount	2	11	93079	1 x 6 Bolt	1
4	16772	Guage Wheel Assembly	2	12	16778	Guage Wheel Pin	2
5	16752	Rigid Coulter Assembly	3	13	90115	Lynch Pin 7/16" x 1-1/2"	2
6	90109	Top Link Bushing	1	14	90412	5/8" x 1-1/2" Sq. HD Bolt	2
7	90111	1in Deformed Nut	1	15	16754	Row Unit W/Closing wheels	3
8	90112	1" Washer	2				

45336S



PARTS LIST				PARTS LIST			
ITEM	PART#	DESCRIPTION	QTY	ITEM	PART#	DESCRIPTION	QTY
1	16682	5 row 30 subsoiler frame	1	10	93079	1 x 6 Bolt	1
2	16586	Sub Soiler Coulter Mount	2	11	16778	Guage Wheel Pin	2
3	16587	Guage wheel mount	2	12	90115	Lynch Pin 7/16" x 1-1/2"	2
4	16772	Guage Wheel Assembly	2	13	90412	5/8" x 1-1/2" Sq. HD Bolt	2
5	90109	Top Link Bushing	1	14	16763	Spring Loaded Coulter	3
6	90111	1in Deformed Nut	1	15	16793	Coulter Shank for sub soiler	2
7	90112	1" Washer	2	16	16794	Coulter Shank for center	1
8	90114	Cat 3 pin	2	17	16753	Row Unit	3
9	90116	Lynch Pin 7/16" x 1-3/4"	2				

45336SCW



PARTS LIST				PARTS LIST			
ITEM	PART#	DESCRIPTION	QTY	ITEM	PART#	DESCRIPTION	QTY
1	16682	5 row 30 subsoiler frame	1	10	93079	1 x 6 Bolt	1
2	16586	Sub Soiler Coulter Mount	2	11	16778	Guage Wheel Pin	2
3	16587	Guage wheel mount	2	12	90115	Lynch Pin 7/16" x 1-1/2"	2
4	16772	Guage Wheel Assembly	2	13	90412	5/8" x 1-1/2" Sq. HD Bolt	2
5	90109	Top Link Bushing	1	14	16754	Row Unit W/Closing wheels	3
6	90111	1in Deformed Nut	1	15	16763	Spring Loaded Coulter	3
7	90112	1" Washer	2	16	16793	Coulter Shank for sub soiler	2
8	90114	Cat 3 pin	2	17	16794	Coulter Shank for center	1
9	90116	Lynch Pin 7/16" x 1-3/4"	2				