

Quality Built Since 1973



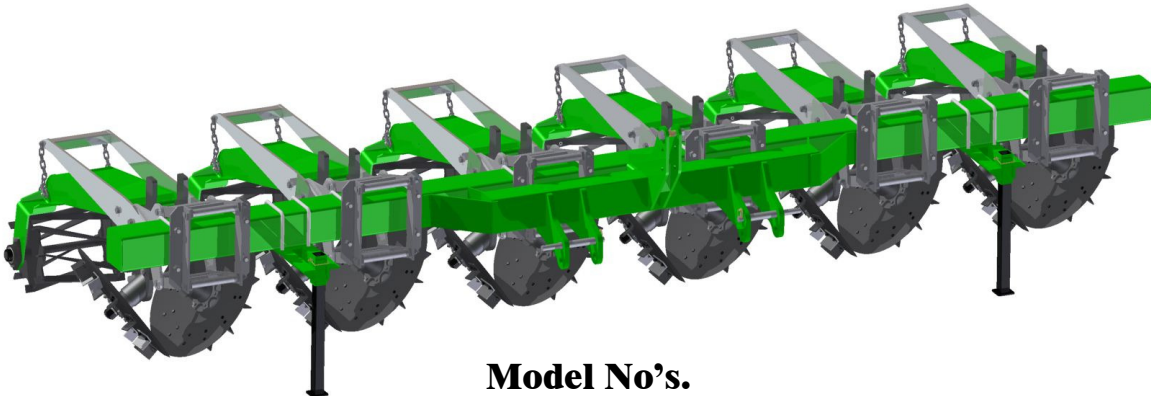
SETUP AND PARTS MANUAL

2800 Series

COTTON PULLER

RIGID TOOLBAR

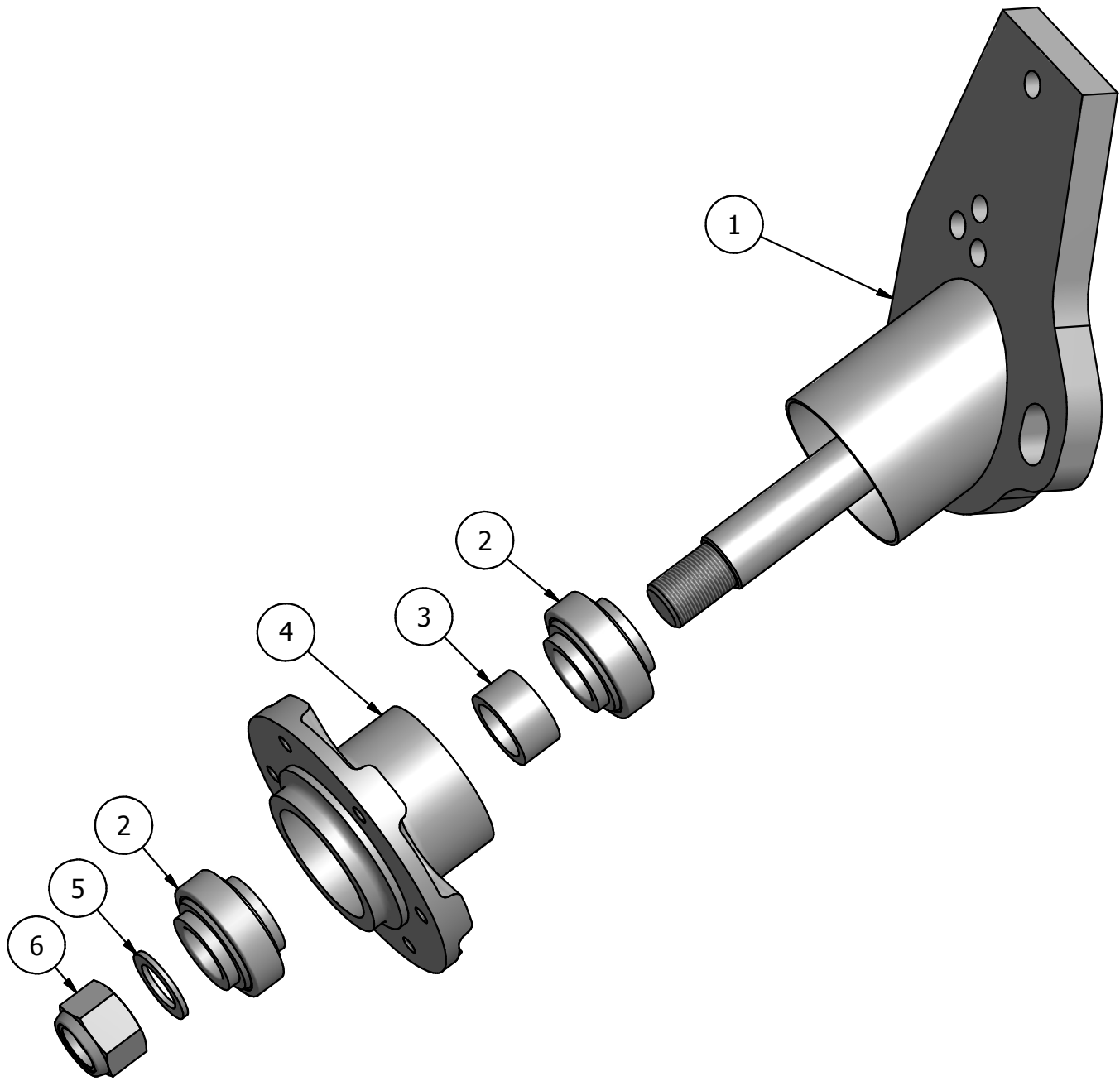
PARALLEL LINKAGE ROW UNITS



Model No's.

28436RP 4 Row 36" Spacing
28438RP 4 Row 38" Spacing
28440RP 4 Row 40" Spacing
28636RP 6 Row 36" Spacing
28638RP 6 Row 38" Spacing
28640RP 6 Row 40" Spacing
28836RP 8 Row 36" Spacing
28838RP 8 Row 38" Spacing
28840RP 8 Row 40" Spacing
281036RP 10 Row 36" Spacing
281038RP 12 Row 38" Spacing
281040RP 12 Row 40" Spacing

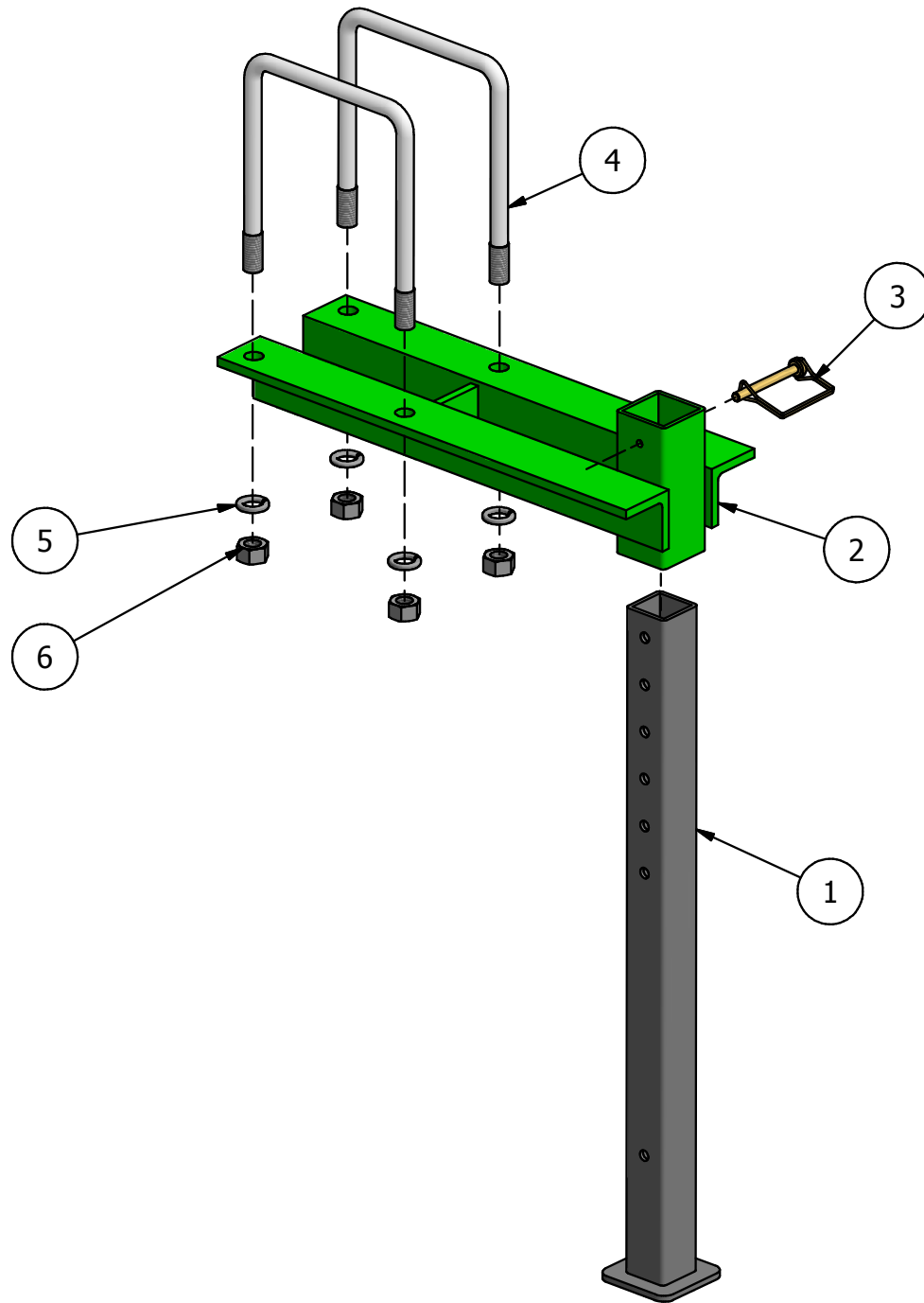
BEARING AND HUB ASSEMBLY



PARTS LIST

ITEM	PART #	DESCRIPTION	QTY
1	11151	Axle Weldment Left Hand	1
2	90310	Sealed Bearing	2
3	11130	Spacer Sealed Bearing Hub	1
4	11140	Hub	1
5	90311	1-1/4" Machine Washer	1
6	90312	1-1/4" Nylock Fine Thread Nut	1

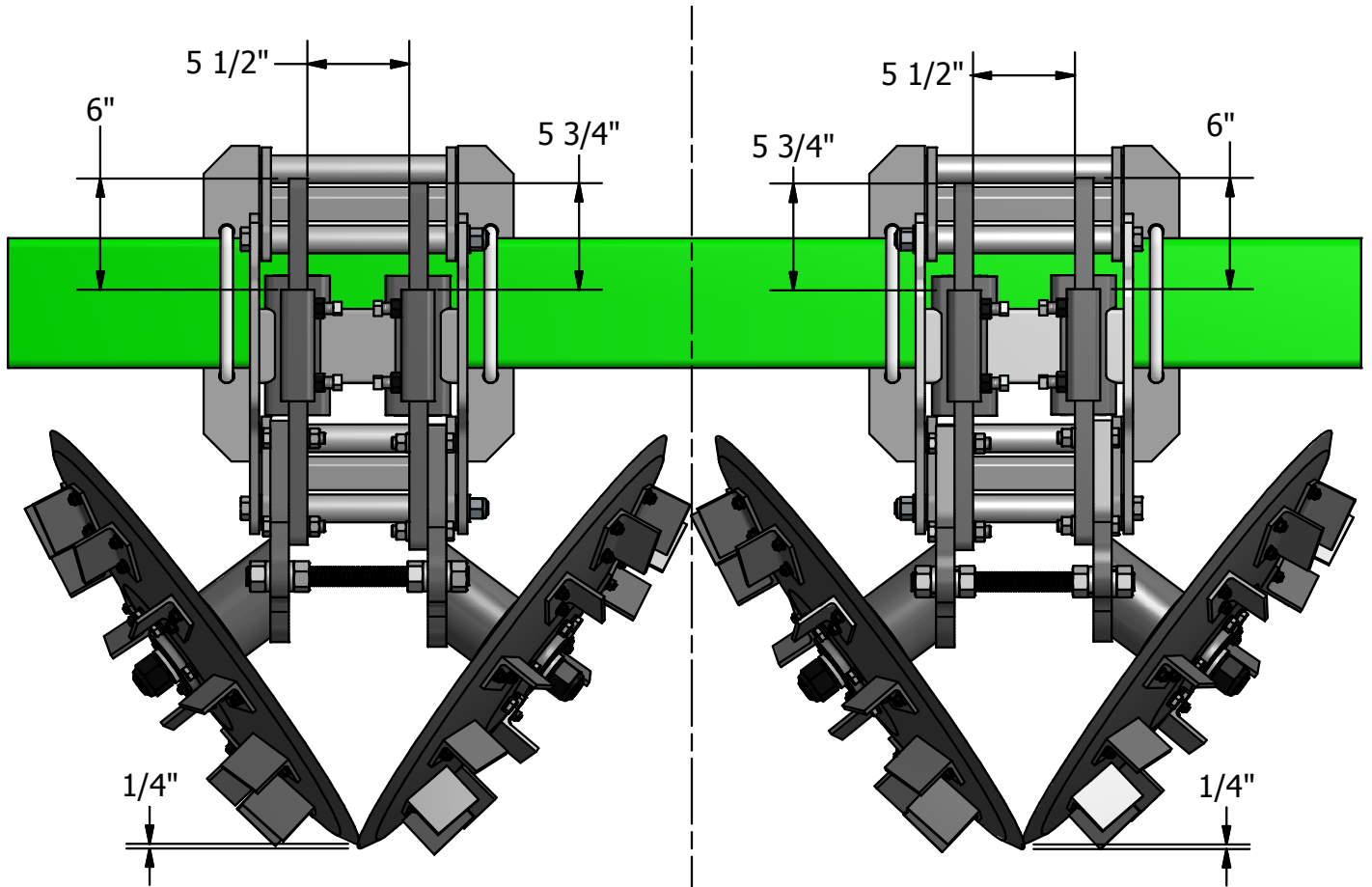
10384 Implement Stand



PARTS LIST

ITEM	PART #	DESCRIPTION	QTY
1	10992	Imp Stand Leg	1
2	10993	Stand Frame	1
3	90000	Lynch Pin	1
4	90139	U-bolt 3/4" x 7 1/8" x 9	2
5	90158	.75 lock washer	4
6	90160	3/4" nut	4

Blade Setup Cotton puller



LEFT SIDE
OF MACHINE

CENTER
OF
MACHINE

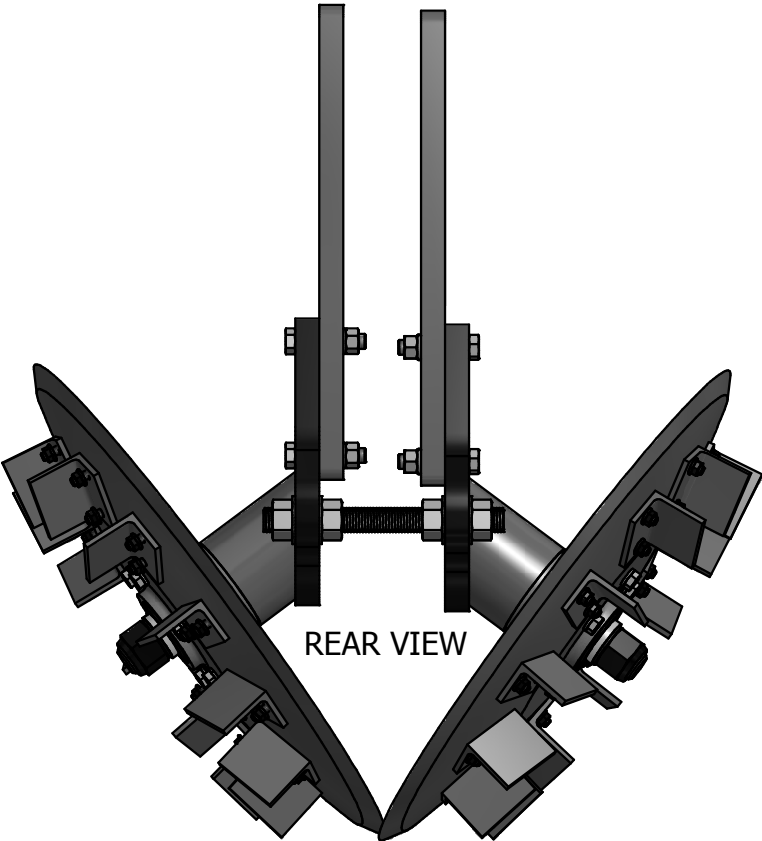
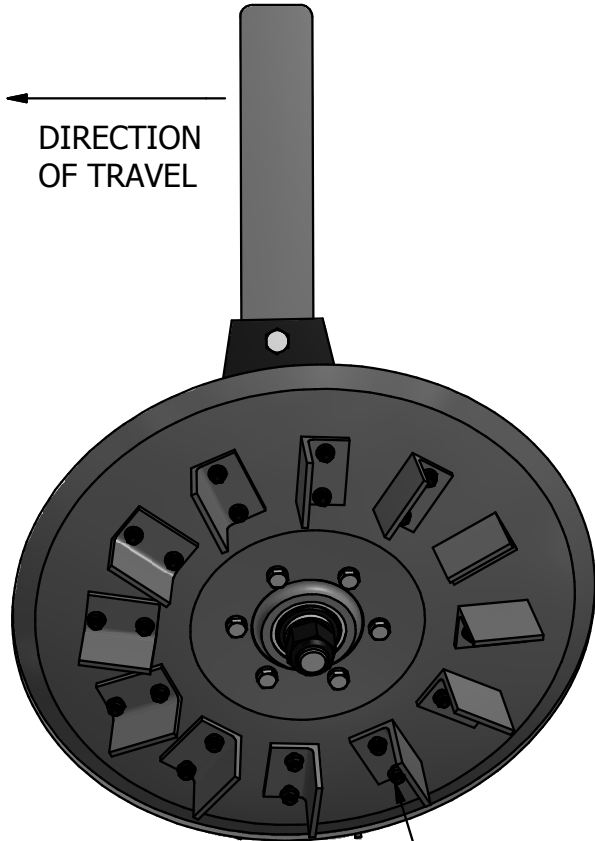
RIGHT SIDE
OF MACHINE

BLADES ON LEFT
SIDE OF MACHINE
SHOULD ALL BE SET
IN THIS MANOR

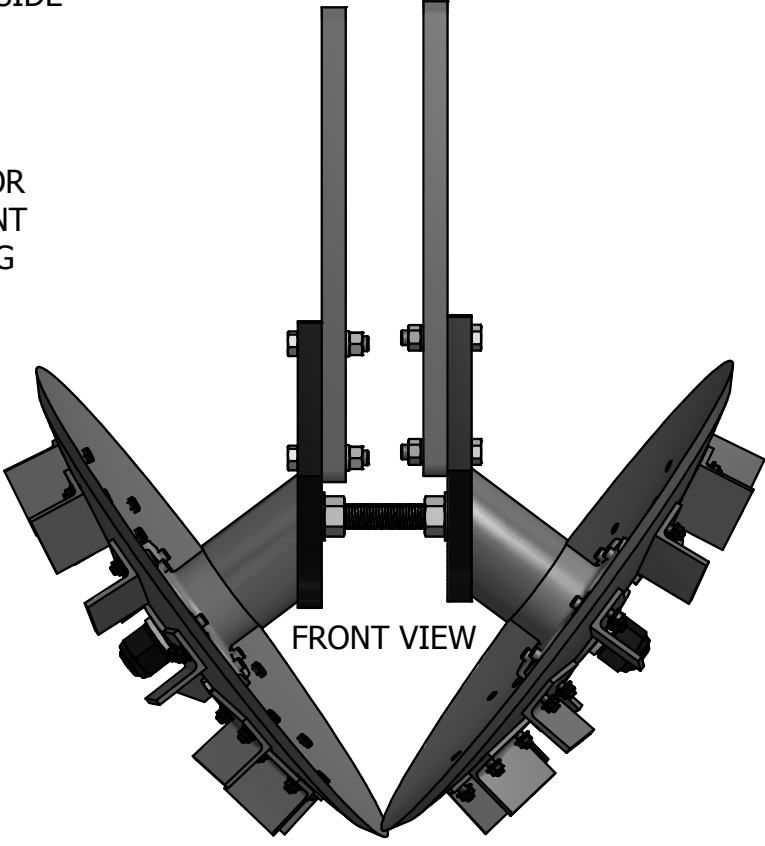
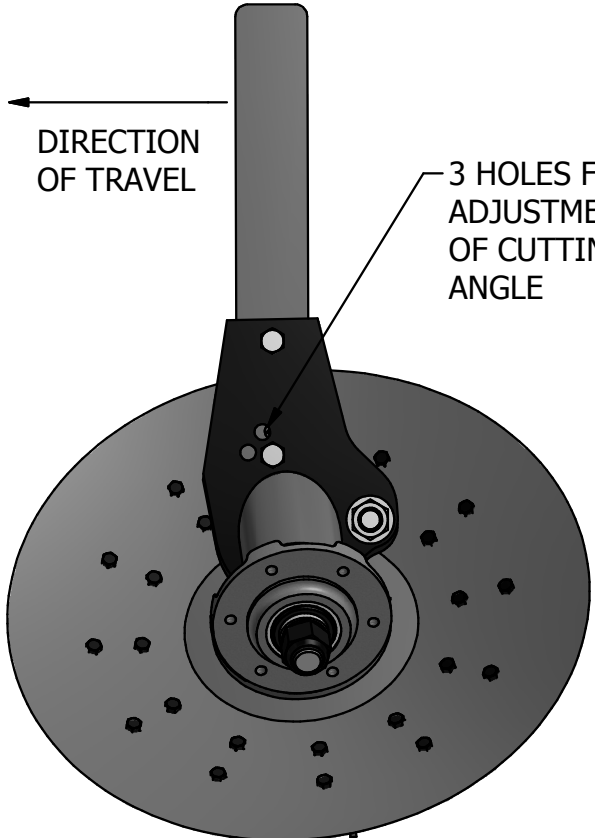
BLADES ON RIGHT
SIDE OF MACHINE
SHOULD ALL BE SET
IN THIS MANOR

VIEW FROM REAR OF MACHINE
SOME PARTS HAVE BEEN
REMOVED FOR CLARITY

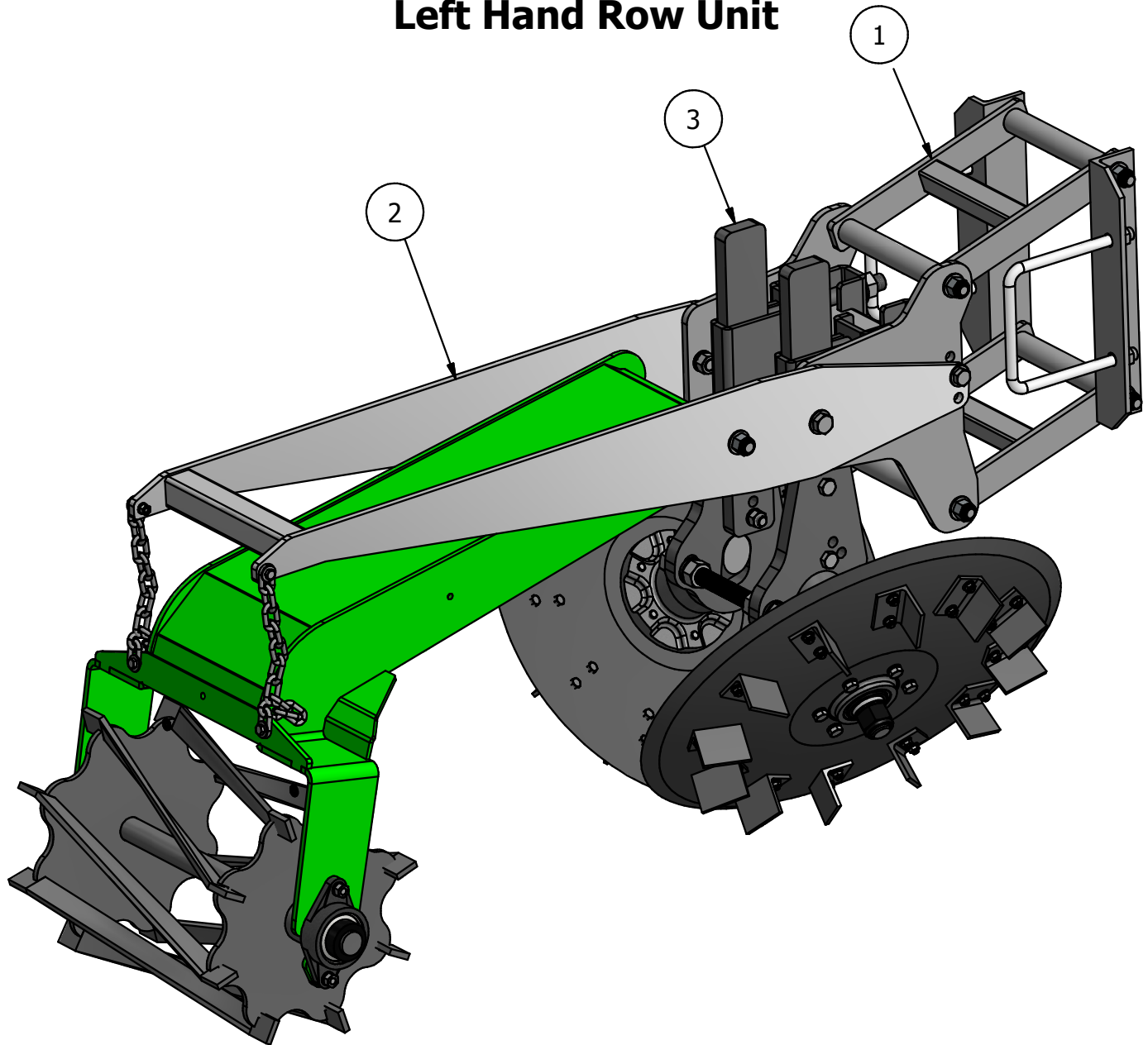
BLADE SETUP



WASHER & NUT ON ANGLE SIDE



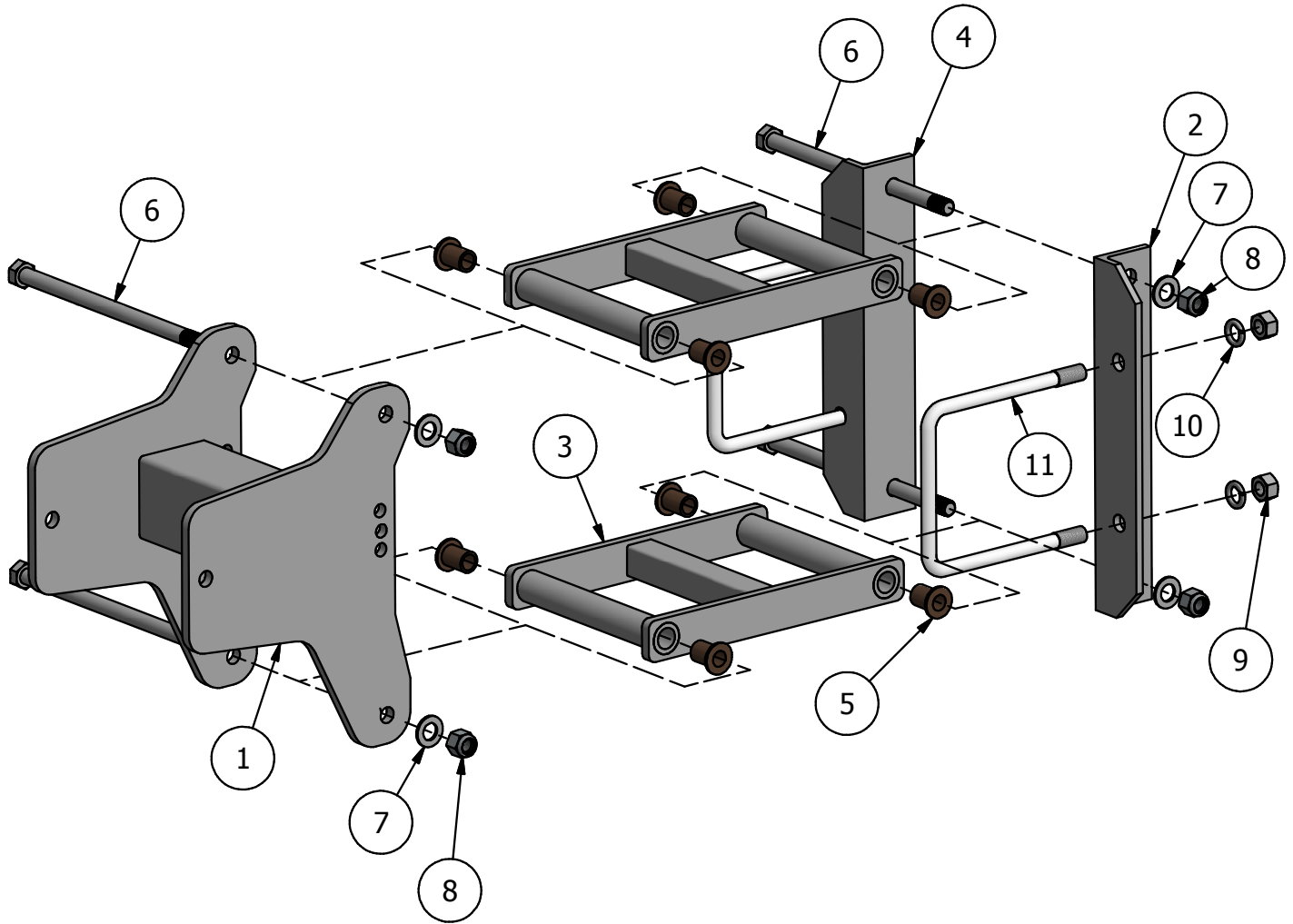
11501 Left Hand Row Unit



PARTS LIST

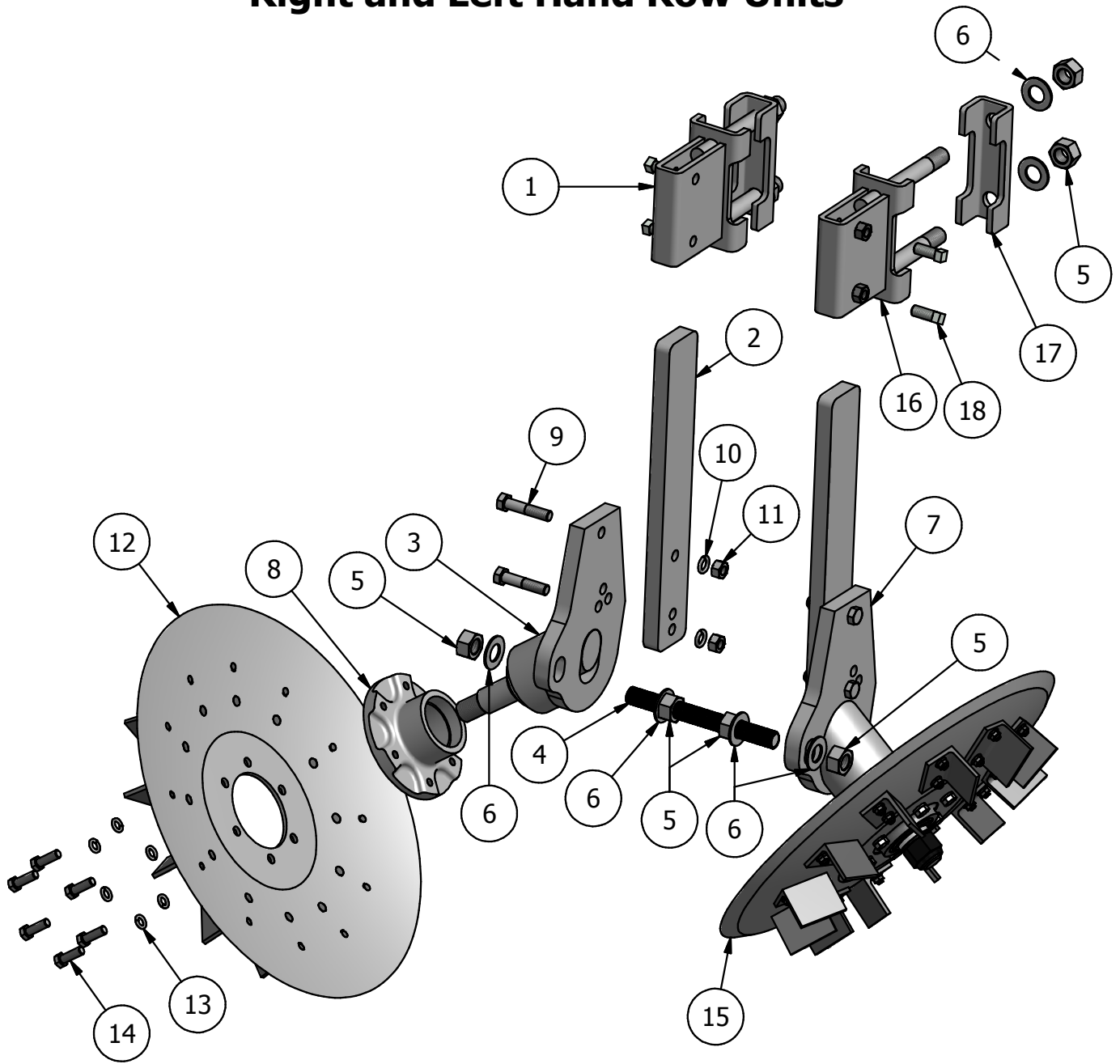
ITEM	PART NUMBER	DESCRIPTION	QTY
1	11605	Parallel Linkage Assy LH Row Unit	1
2	11604	Left Hand Basket Assy	1
3	11608	Right and left Blade Assy	1

11605 Left Hand Parallel Linkage



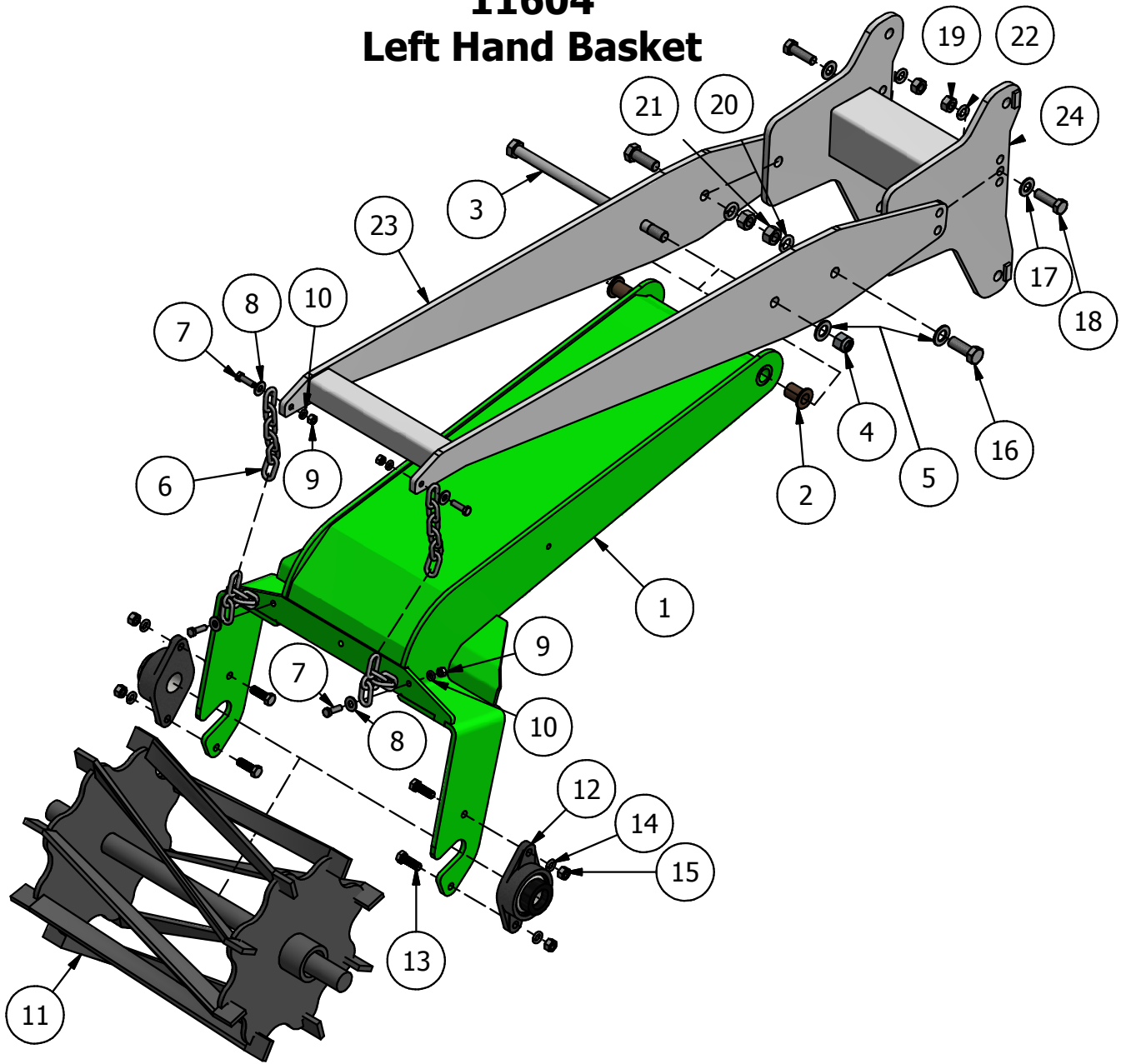
PARTS LIST				PARTS LIST			
ITEM	PART#	DESCRIPTION	QTY	ITEM	PART#	DESCRIPTION	QTY
1	11142	4" Toolbar Weldment LH	1	7	90167	Flat Washer 3/4"	4
2	11025	Angle Bracket	1	8	90343	3/4" Nylock Nut	4
3	11026	Parallel Linkage	2	9	90160	3/4" nut	4
4	11118	Angle Bracket with Stops	1	10	90158	3/4" Lock Washer	4
5	90332	Bushing	8	11	90139	U-bolt 3/4" x 7 1/8" x 9	2
6	11047	3/4" x 12-7/8"	4				

11608 Right and Left Hand Row Units



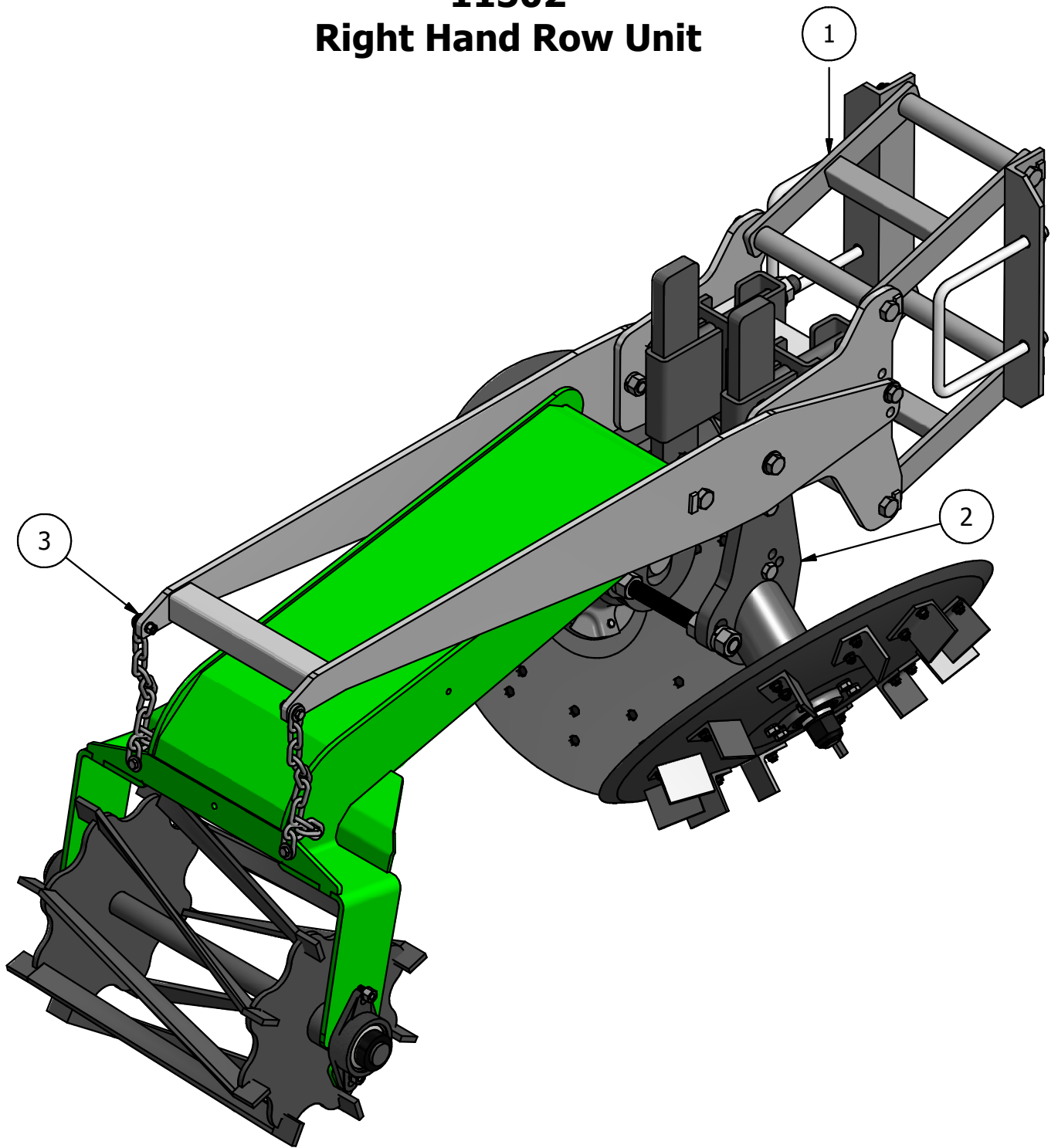
PARTS LIST				PARTS LIST			
ITEM	PART #	DESCRIPTION	QTY	ITEM	PART #	DESCRIPTION	QTY
1	11019	4 x 4 Clamp Complete	2	10	90123	5/8" Lock Washer	4
2	11012	Vert. Height Bar	2	11	90137	5/8" Nut	4
3	11151	Axle Weldment Left	1	12	11154	Left Disc with Angles	1
4	90331	1" Threaded Rod	1	13	90134	1/2" Lock Washer	12
5	90148	1" Nut	8	14	90337	1/2" x 1-1/2" Bolt FT	12
6	90112	1" Washer	8	15	11155	Right Disc with Angles	1
7	11152	Axle Weldment Right	1	16	11020	Vert. Clamp Weldment	1
8	11140	Hub	2	17	11024	Front Clamp	1
9	90151	5/8" x 3" Bolt	4	18	90412	5/8" x 1-1/2" sq. hd bolt	4

11604 Left Hand Basket



PARTS LIST				PARTS LIST			
ITEM	PART#	DESCRIPTION	QTY	ITEM	PART#	DESCRIPTION	QTY
1	11139	Swing Arm Assy	1	13	90136	1/2" x 1-1/2" Bolt	4
2	90332	Bushing	2	14	90134	1/2" Lock Washer	4
3	90330	3/4" x 14-1/8" Bolt	1	15	90138	1/2" nut	4
4	90343	3/4" Nylock Nut	1	16	90342	3/4" x 2" Bolt	2
5	90167	Flat Washer 3/4"	3	17	90228	5/8" Flat Washer	2
6	90341	Chain Links	24	18	90161	5/8" x 2" Bolt	2
7	90173	3/8" x 1-1/4" Bolt	4	19	90137	5/8" Nut	2
8	90224	3/8" Flat Washer	4	20	90158	3/4" Lock Washer	2
9	90118	3/8" Nut	4	21	90160	3/4" nut	2
10	90121	3/8" Lock Washer	4	22	90123	5/8" Lock Washer	2
11	11145	Basket Weldment	1	23	11157	Lift Arm Weldment LH	1
12	90340	Bearing 1-1/2"	2	24	11143	4" Toolbar Weldment LH	1

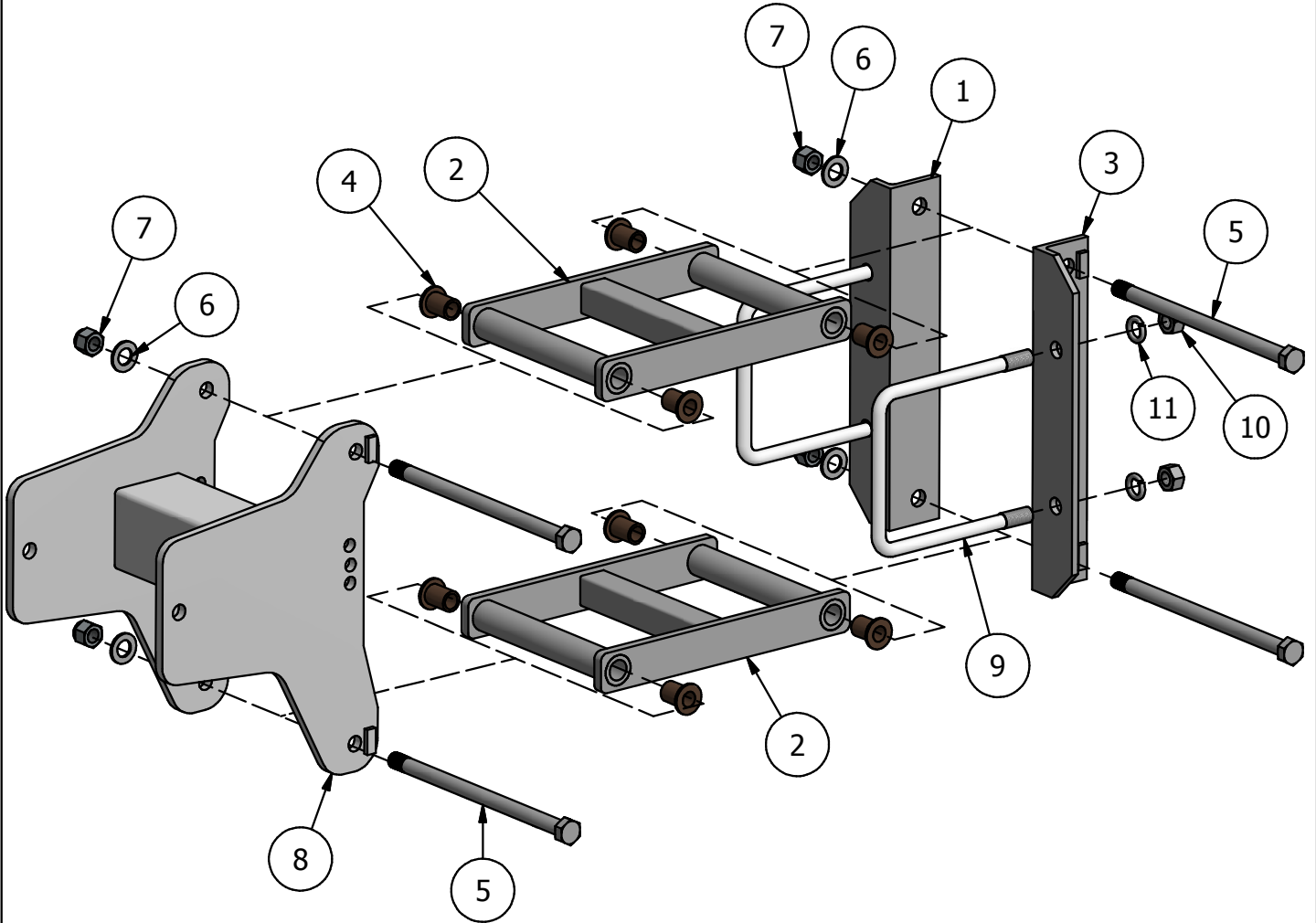
11502 Right Hand Row Unit



PARTS LIST

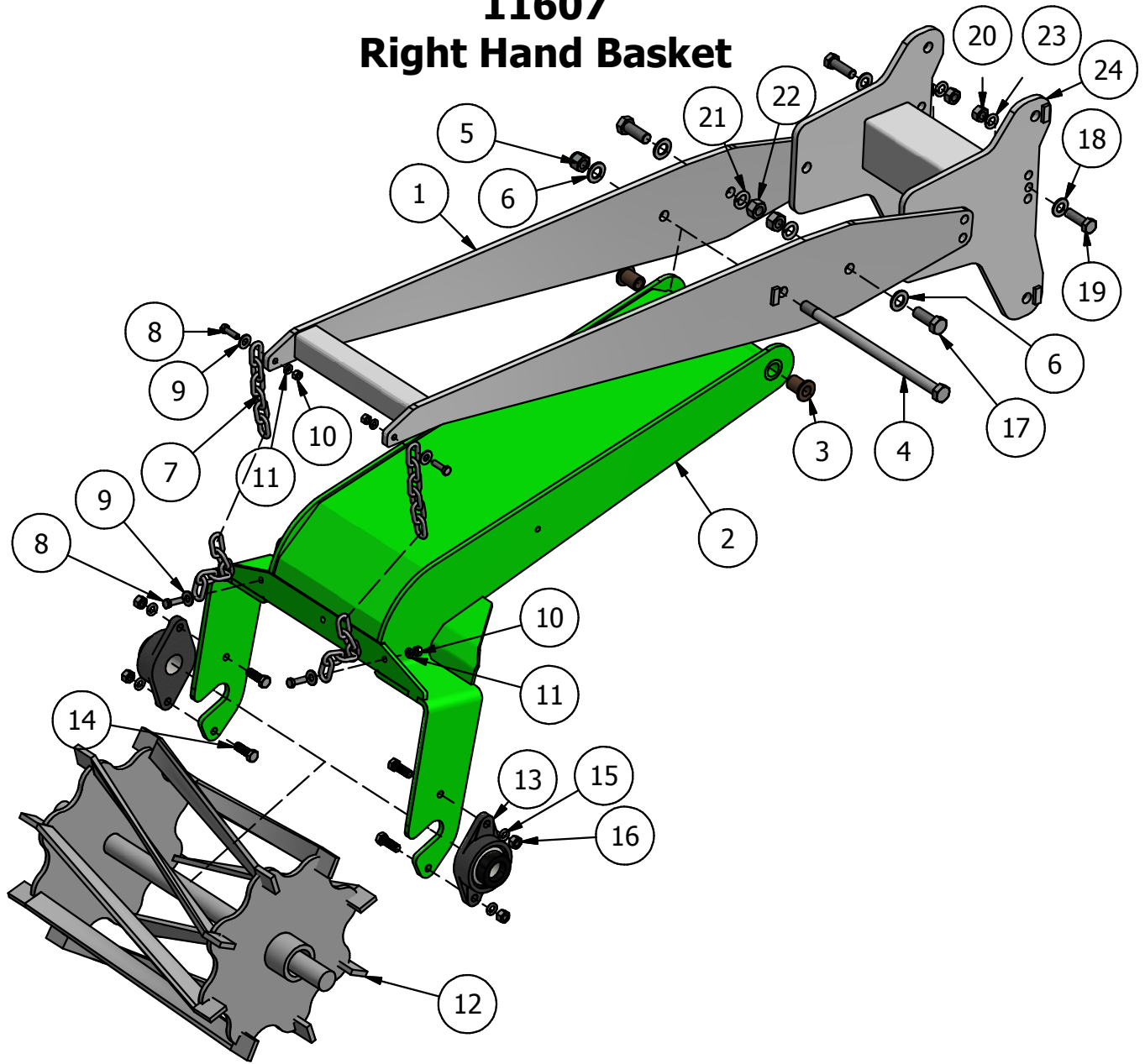
ITEM	PART NUMBER	DESCRIPTION	QTY
1	11609	Parallel Linkage Assy RH Row Unit	1
2	11608	Right and Left Blade Assy	1
3	11607	Right Hand Basket Assy	1

11609 Right Hand Parallel Linkage



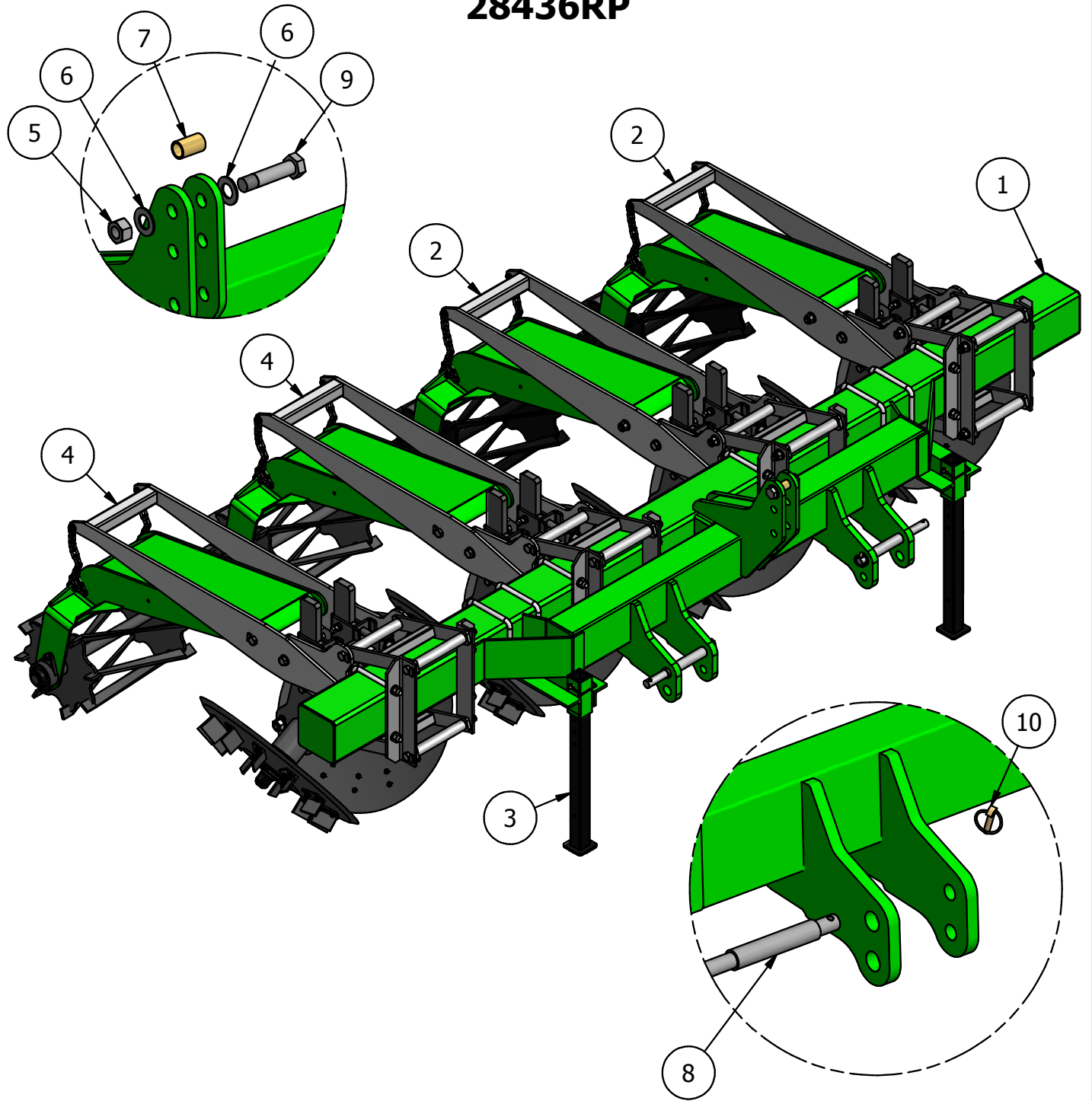
PARTS LIST				PARTS LIST			
ITEM	PART#	DESCRIPTION	QTY	ITEM	PART#	DESCRIPTION	QTY
1	11025	Angle Bracket	1	7	90343	3/4" Nylock Nut	4
2	11026	Parallel Linkage	2	8	11143	4" Toolbar Weldment RH	1
3	11118	Angle Bracket with Stops	1	9	90139	U-bolt 3/4" x 7 1/8" x 9	2
4	90332	Bushing	8	10	90160	3/4" nut	4
5	11047	3/4" x 12-7/8" Bolt	4	11	90158	3/4" Lock Washer	4
6	90167	Flat Washer 3/4"	4				

11607 Right Hand Basket



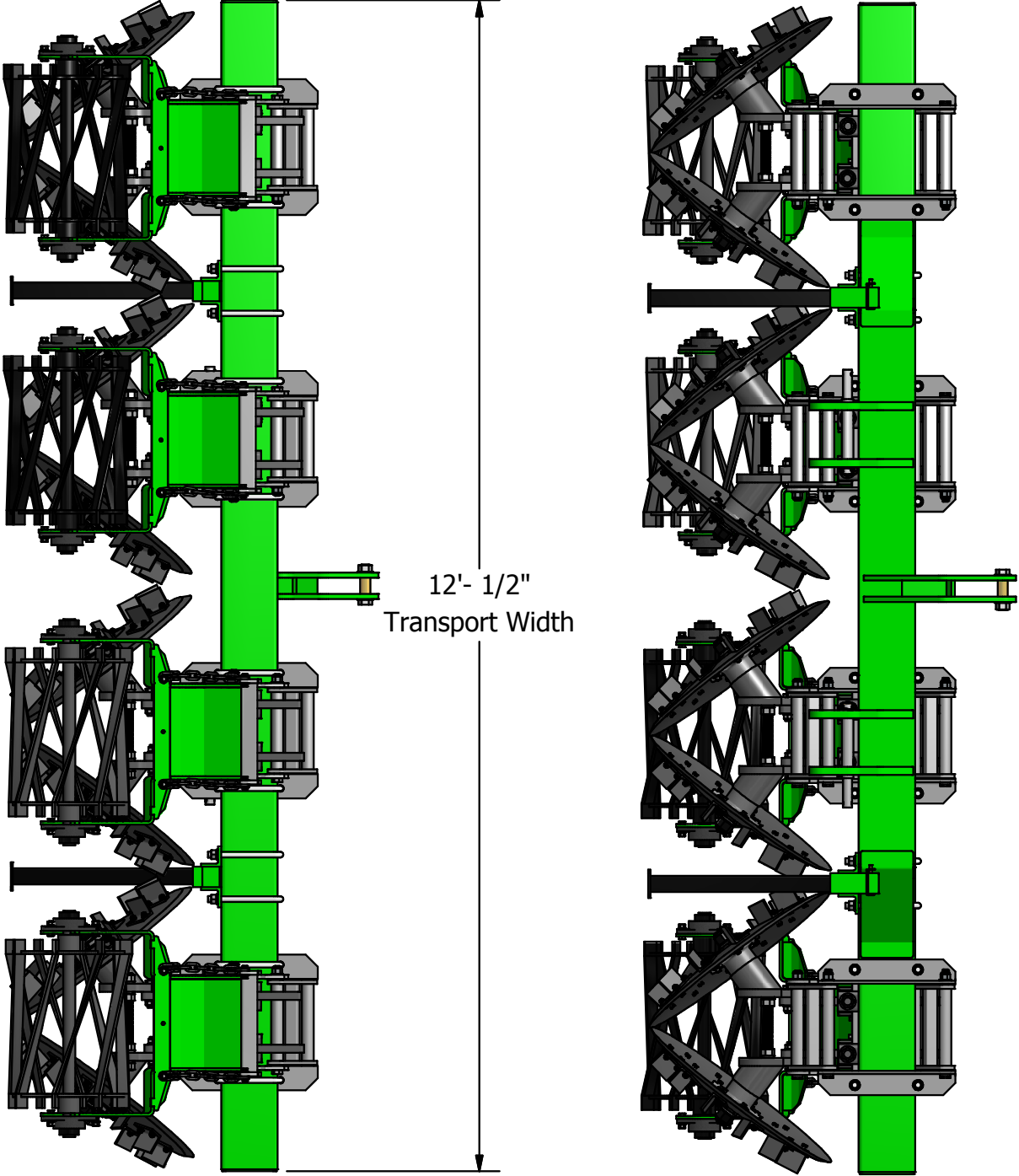
PARTS LIST				PARTS LIST			
ITEM	PART#	DESCRIPTION	QTY	ITEM	PART#	DESCRIPTION	QTY
1	11158	Lift Arm Weldment RH	1	13	90340	Bearing 1-1/2"	2
2	11139	Swing Arm Assy	1	14	90136	1/2" x 1-1/2" Bolt	4
3	90332	Bushing	2	15	90134	1/2" Lock Washer	4
4	90330	3/4" x 14-1/8" Bolt	1	16	90138	1/2" nut	4
5	90343	3/4" Nylock Nut	1	17	90342	3/4" x 2" Bolt	2
6	90167	Flat Washer 3/4"	3	18	90228	5/8" Flat Washer	2
7	90341	Chain Links	24	19	90161	5/8" x 2" Bolt	2
8	90173	3/8" x 1-1/4" Bolt	4	20	90137	5/8" Nut	2
9	90224	3/8" Flat Washer	4	21	90158	3/4" Lock Washer	2
10	90118	3/8" Nut	4	22	90160	3/4" nut	2
11	90121	3/8" Lock Washer	4	23	90123	5/8" Lock Washer	2
12	11145	Basket Weldment	1	24	11143	4" Toolbar Weldment RH	1

28436RP

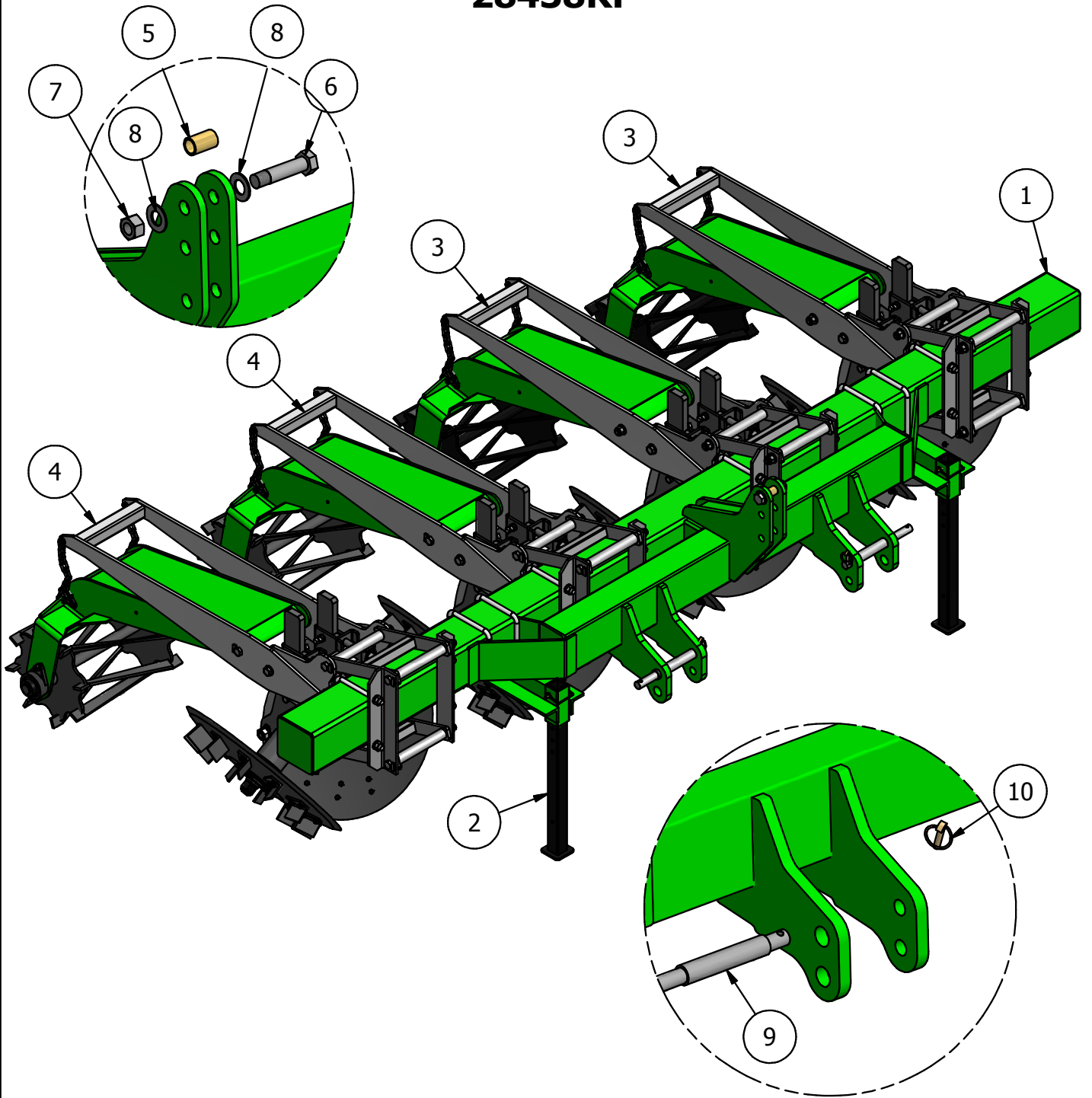


PARTS LIST				PARTS LIST			
ITEM	PART#	DESCRIPTION	QTY	ITEM	PART#	DESCRIPTION	QTY
1	11508	Toolbar 4 Row 36 Rigid	1	6	90112	1" Washer	2
2	11501	Left Hand Row Unit	2	7	90109	Top Link Bushing	1
3	10384	Implement Stand Assembly	2	8	90113	Cat 2 and 3 Pin	2
4	11502	Right Hand Row Unit	2	9	90110	1 x 4-3/8" Bolt	1
5	90111	1in Deformed Nut	1	10	90115	Lynch Pin 7/16" x 1-1/2"	2

28436RP

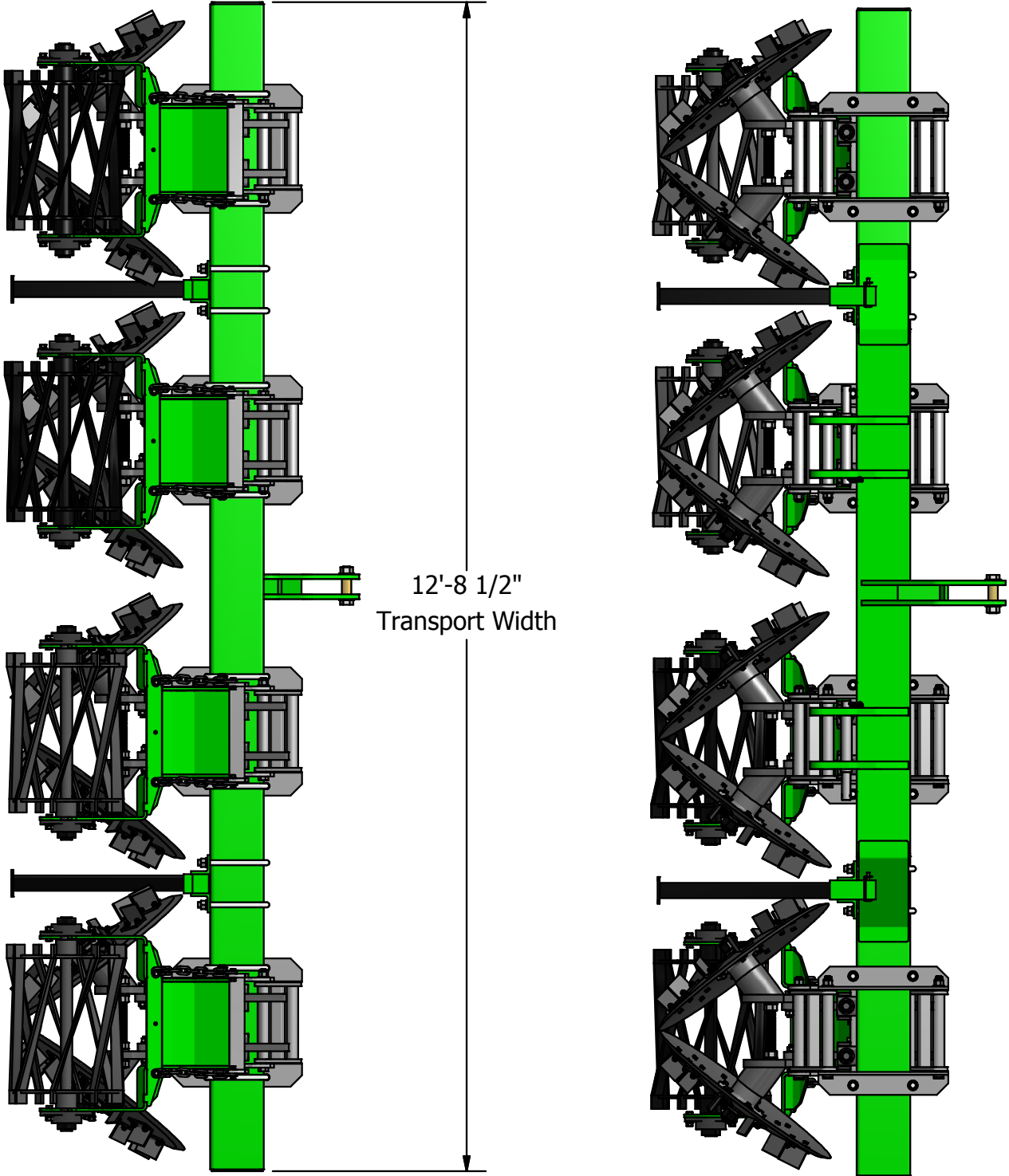


28438RP

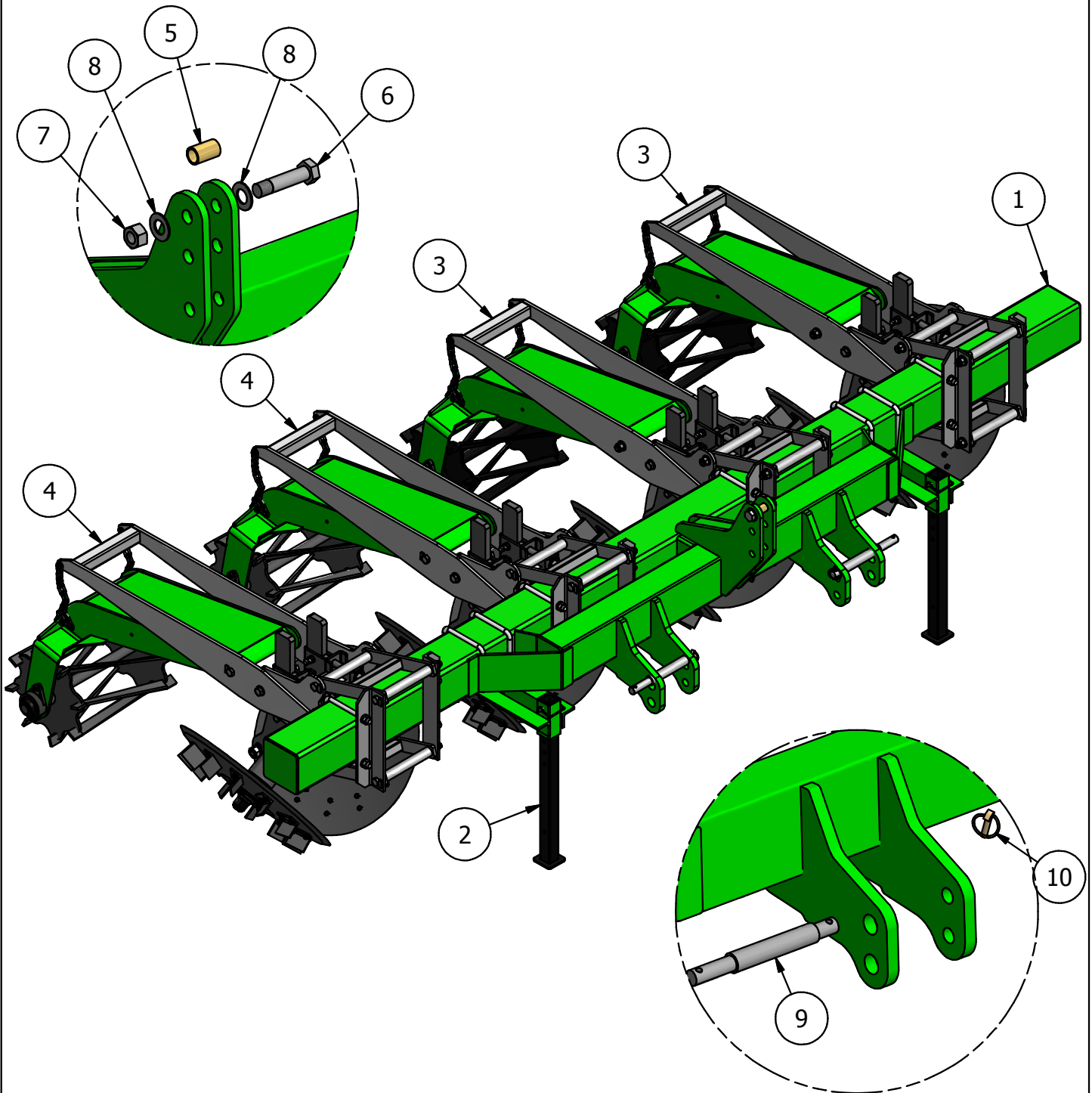


PARTS LIST				PARTS LIST			
ITEM	PART#	DESCRIPTION	QTY	ITEM	PART#	DESCRIPTION	QTY
1	11512	Toolbar 4 Row 38	1	6	90110	1 x 4-3/8" Bolt	1
2	10384	Implement Stand Assembly	2	7	90111	1in Deformed Nut	1
3	11501	Left Hand Row Unit	2	8	90112	1" Washer	2
4	11502	Right Hand Row Unit	2	9	90113	Cat 2 and 3 Pin	2
5	90109	Top Link Bushing	1	10	90115	Lynch Pin 7/16" x 1-1/2"	2

28438RP

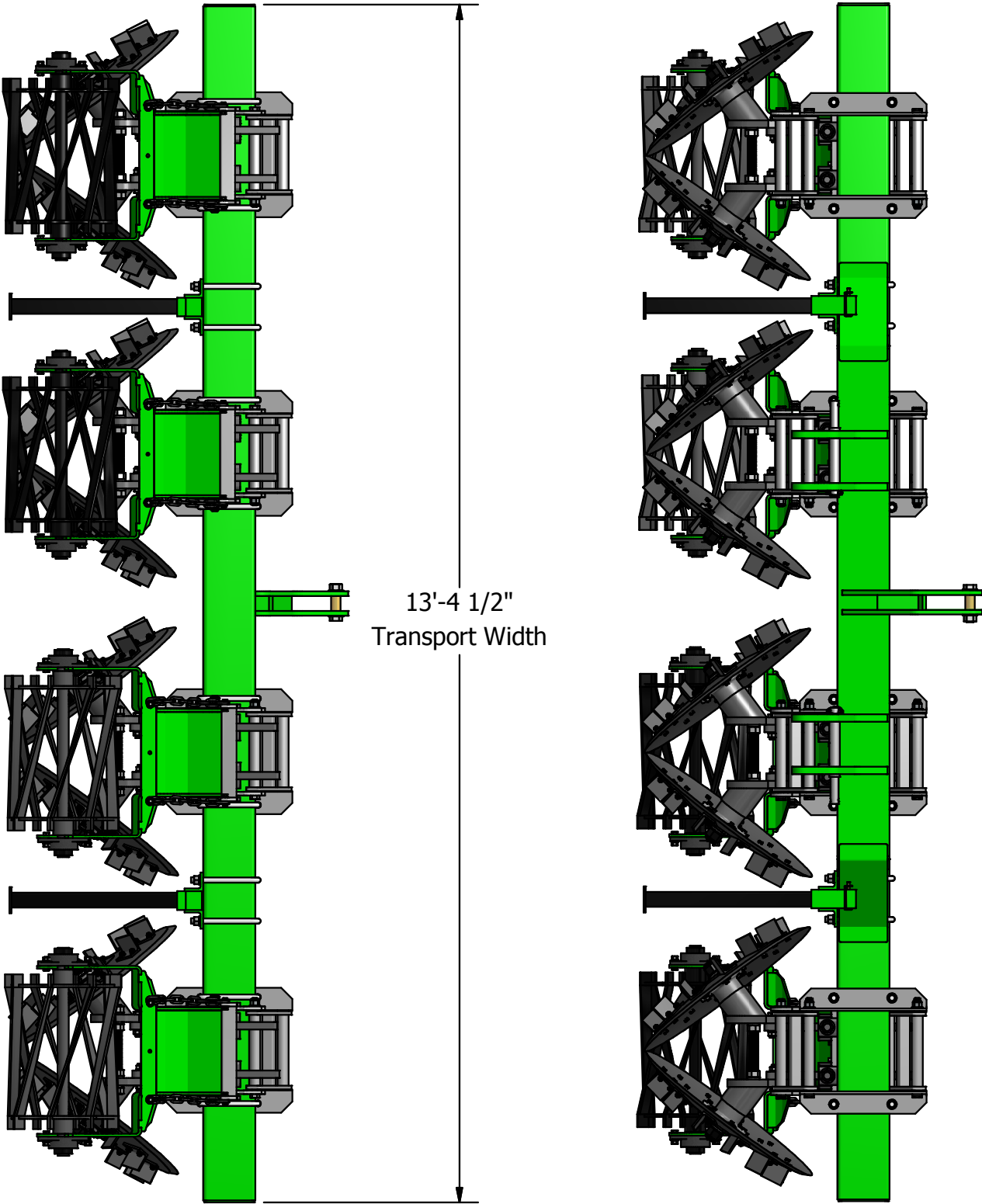


28440RP

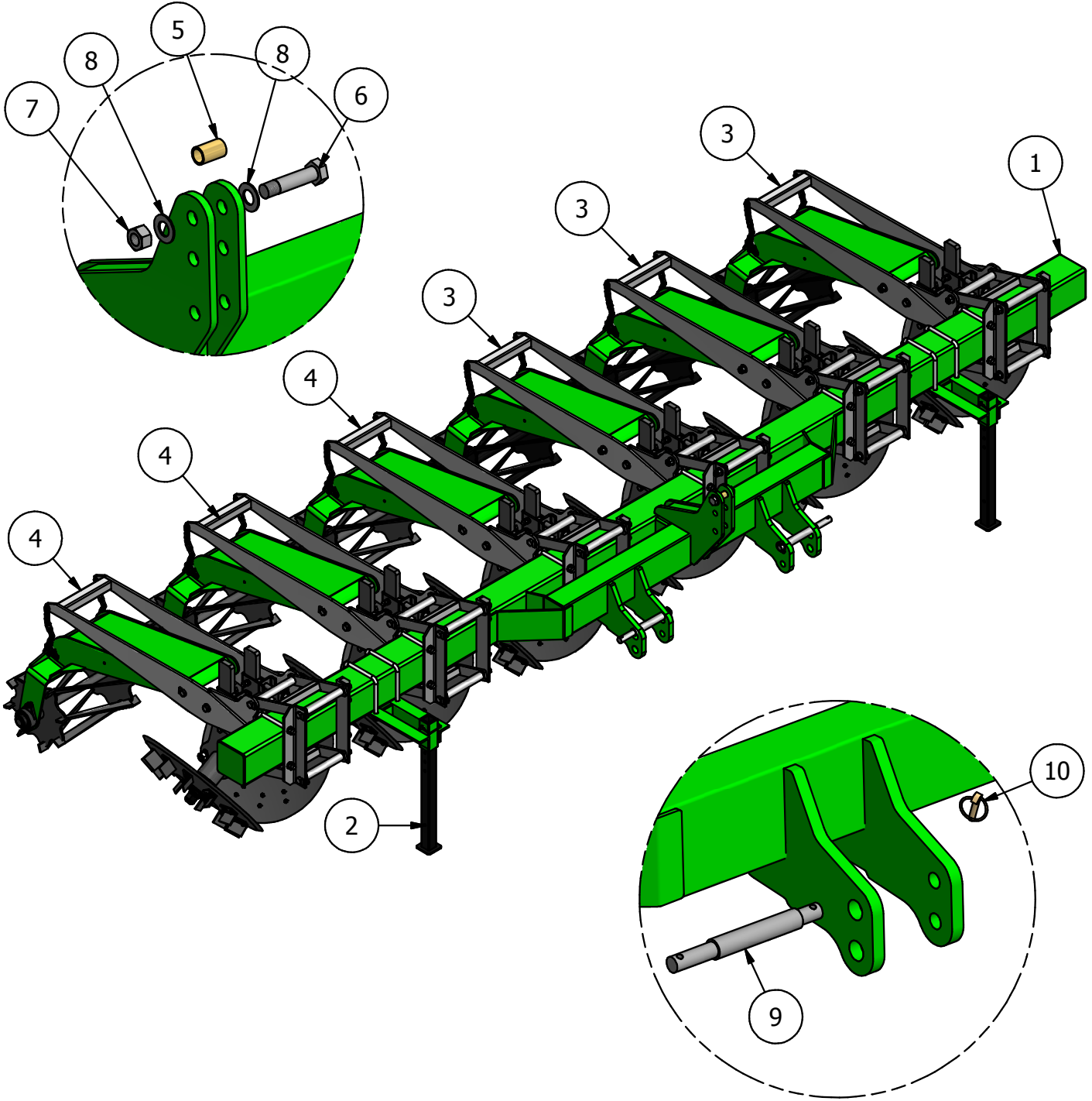


PARTS LIST				PARTS LIST			
ITEM	PART#	DESCRIPTION	QTY	ITEM	PART#	DESCRIPTION	QTY
1	11516	Toolbar 4 Row 40	1	6	90110	1 x 4-3/8" Bolt	1
2	10384	Implement Stand Assembly	2	7	90111	1in Deformed Nut	1
3	11501	Left Hand Row Unit	2	8	90112	1" Washer	2
4	11502	Right Hand Row Unit	2	9	90113	Cat 2 and 3 Pin	2
5	90109	Top Link Bushing	1	10	90115	Lynch Pin 7/16" x 1-1/2"	2

28440RP

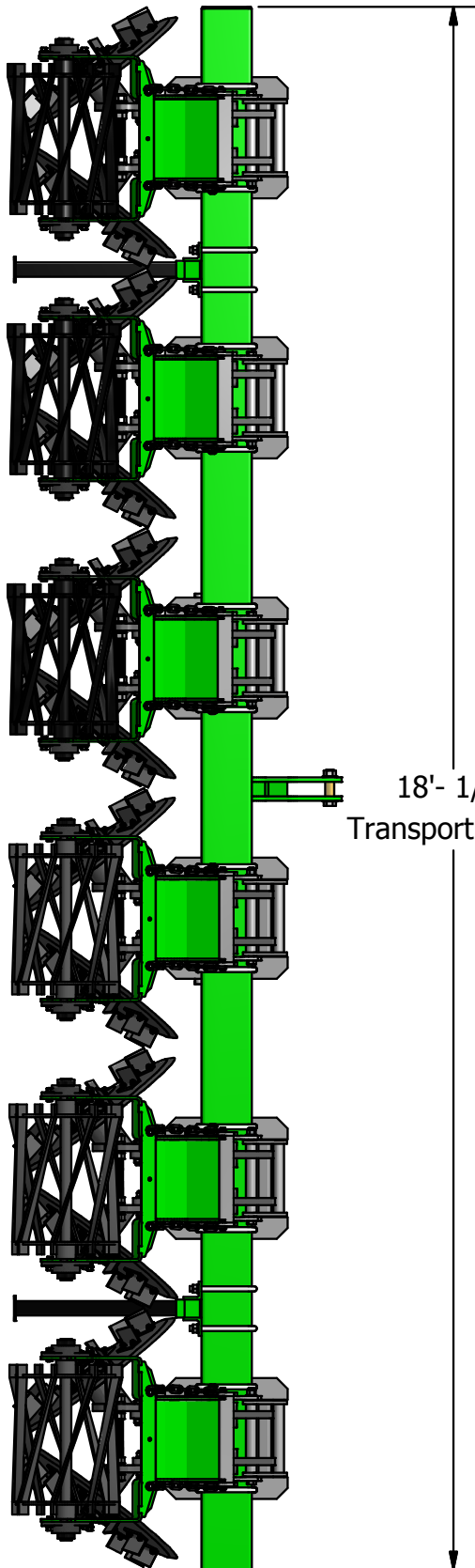


28636RP

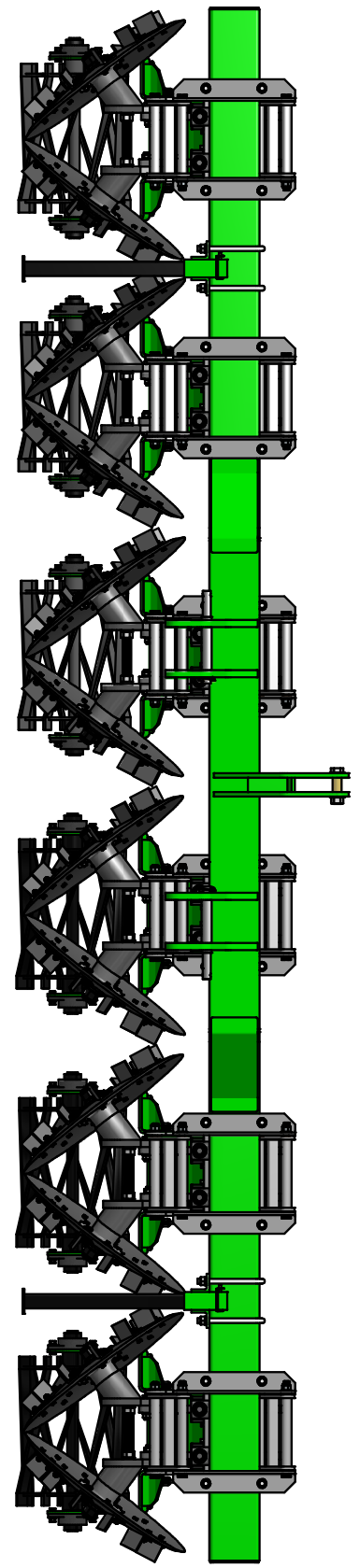


PARTS LIST				PARTS LIST			
ITEM	PART#	DESCRIPTION	QTY	ITEM	PART#	DESCRIPTION	QTY
1	11509	Toolbar 6 Row 36	1	6	90110	1 x 4-3/8" Bolt	1
2	10384	Implement Stand Assembly	2	7	90111	1in Deformed Nut	1
3	11501	Left Hand Row Unit	3	8	90112	1" Washer	2
4	11502	Right Hand Row Unit	3	9	90113	Cat 2 and 3 Pin	2
5	90109	Top Link Bushing	1	10	90115	Lynch Pin 7/16" x 1-1/2"	2

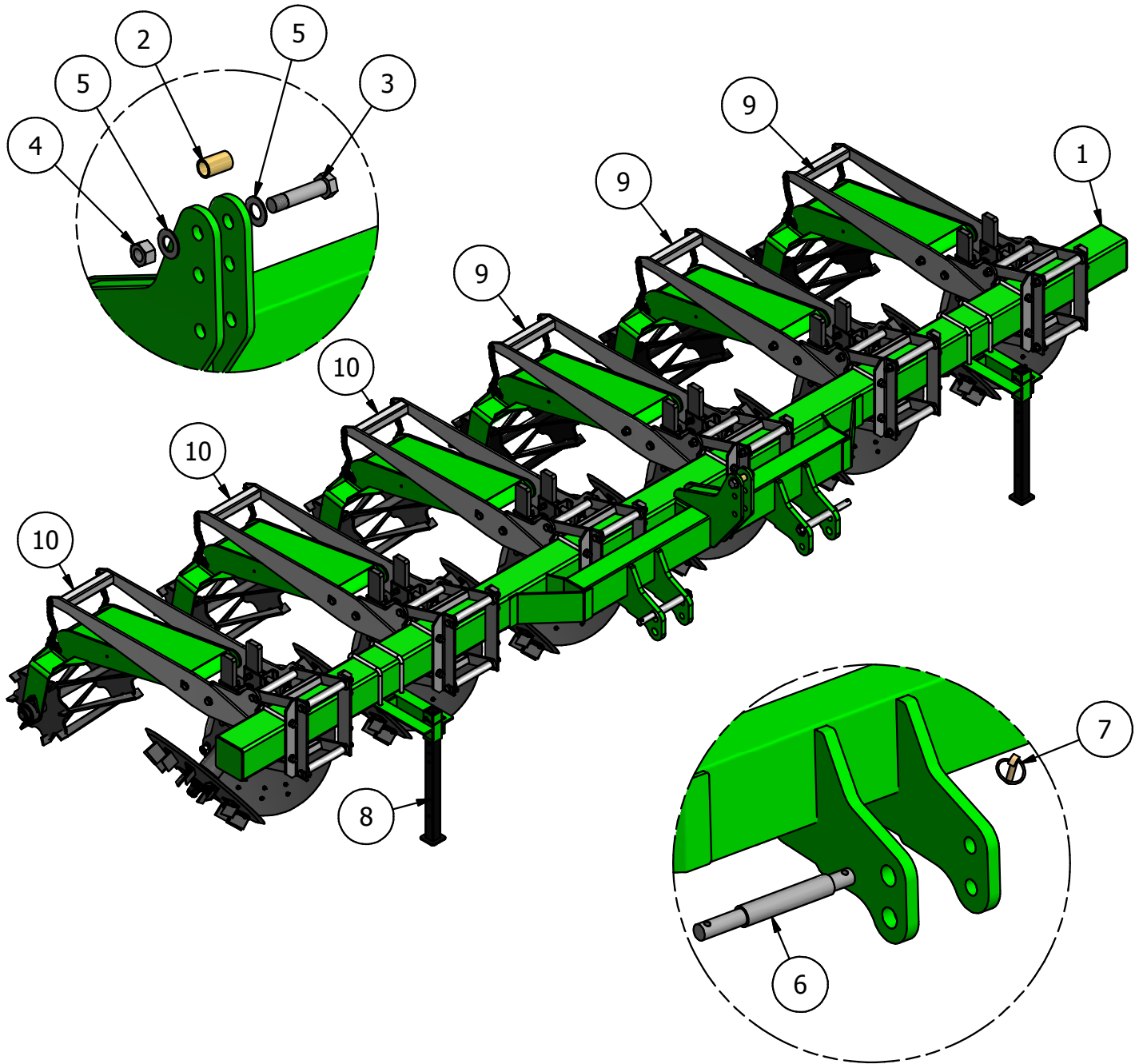
28636RP



18'- 1/4"
Transport Width

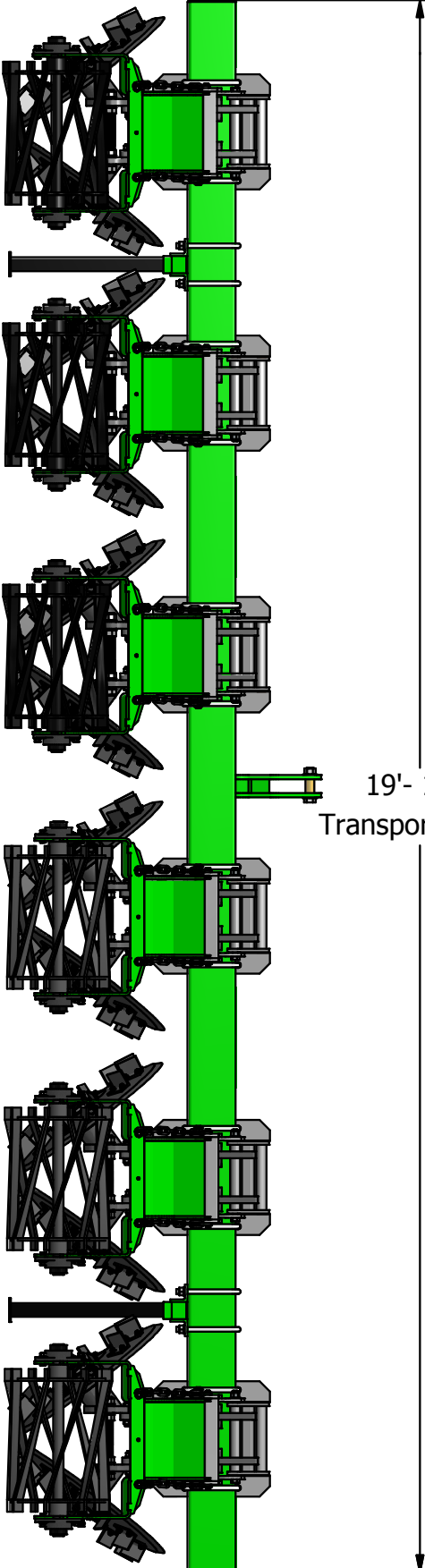


28638RP

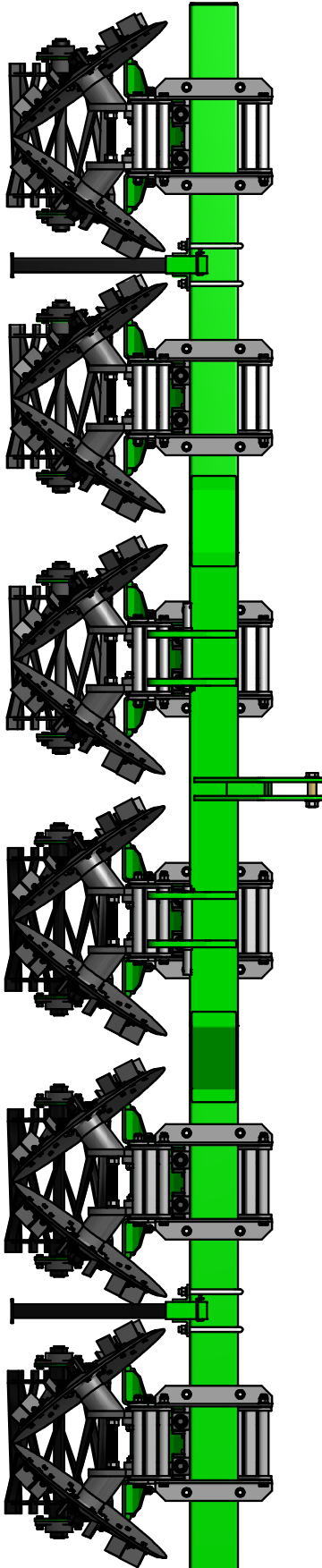


PARTS LIST				PARTS LIST			
ITEM	PART#	DESCRIPTION	QTY	ITEM	PART#	DESCRIPTION	QTY
1	11513	Toolbar 6 Row 38	1	6	90113	Cat 2 and 3 Pin	2
2	90109	Top Link Bushing	1	7	90115	Lynch Pin 7/16" x 1-1/2"	2
3	90110	1 x 4-3/8" Bolt	1	8	10384	Implement Stand Assembly	2
4	90111	1in Deformed Nut	1	9	11501	Left Hand Row Unit	3
5	90112	1" Washer	2	10	11502	Right Hand Row Unit	3

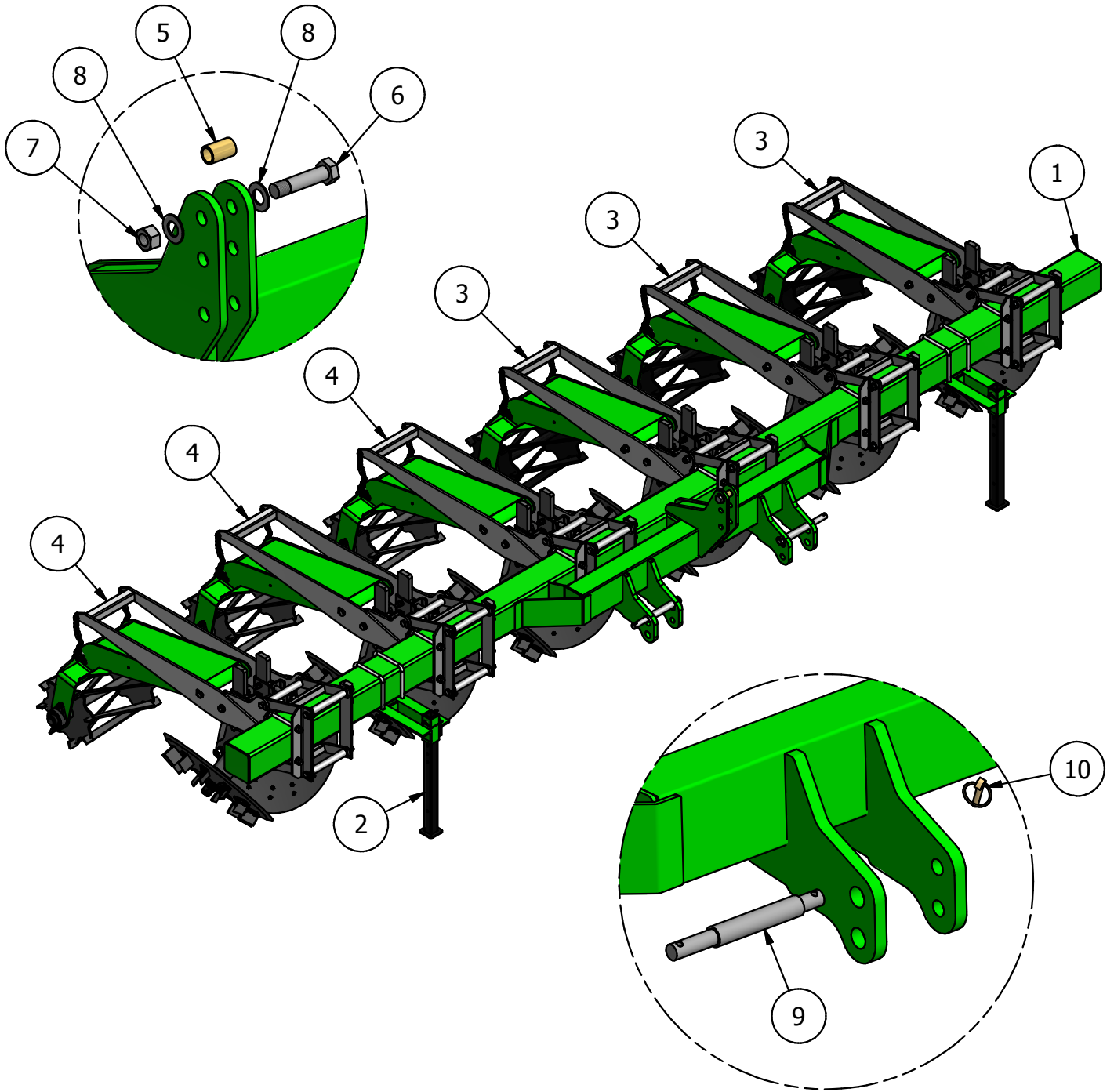
28638RP



19'- 1/2"
Transport Width

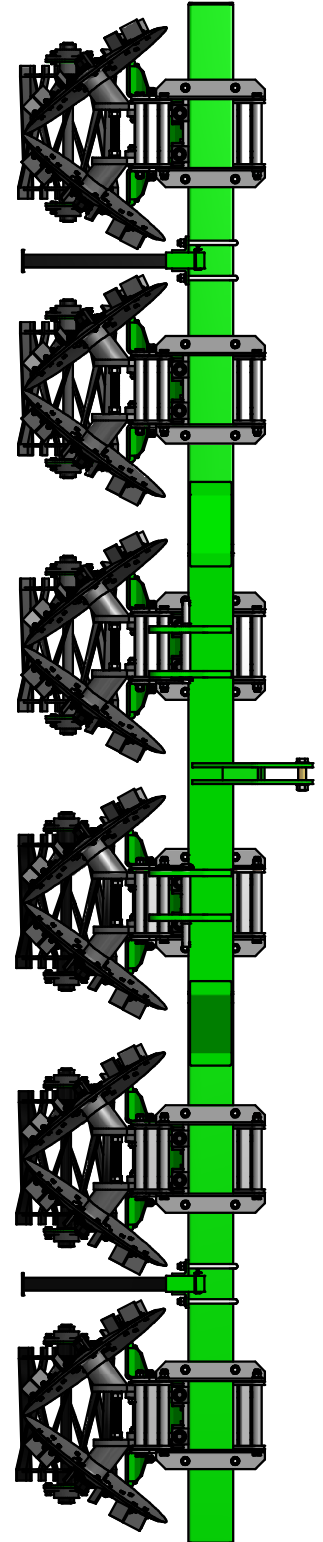
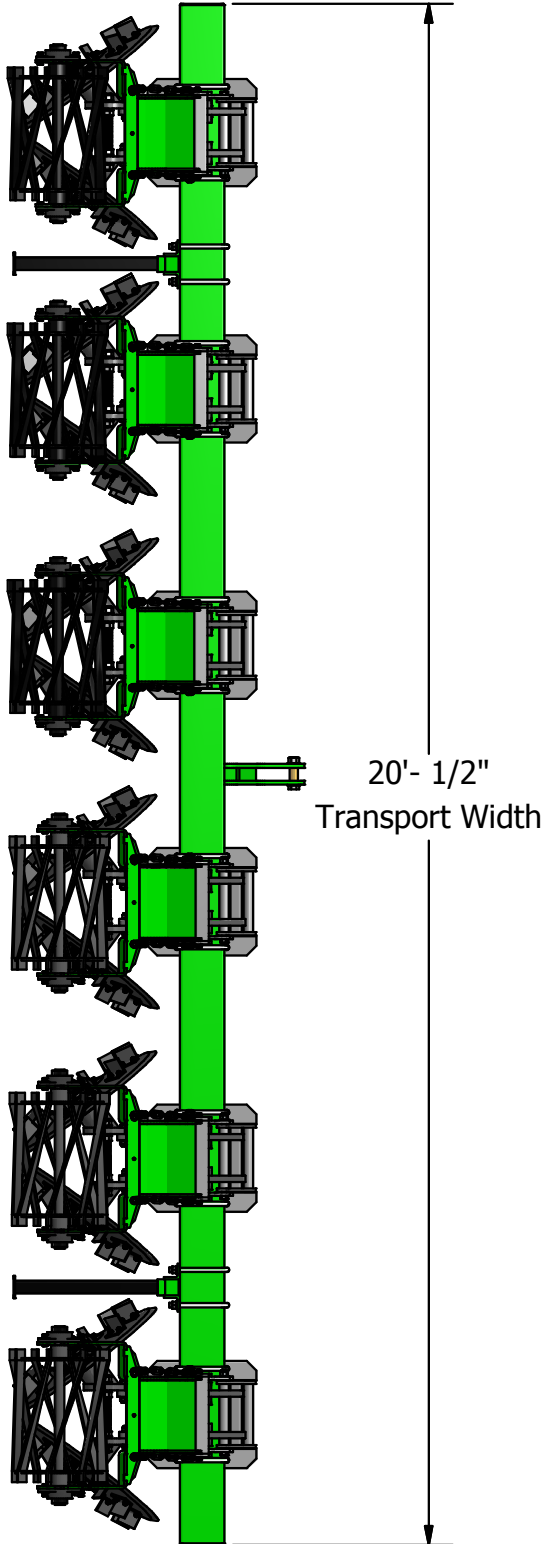


28640RP

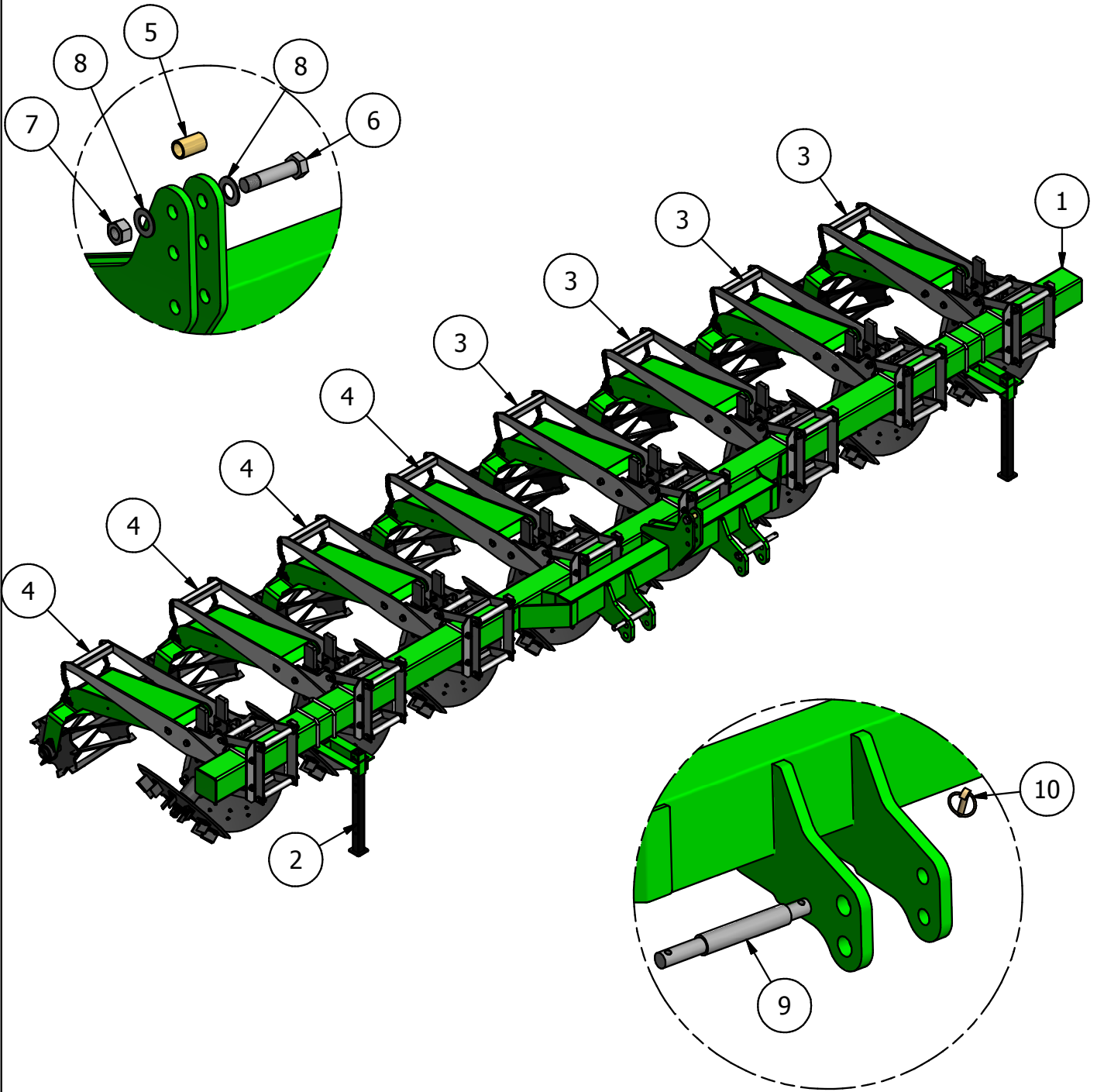


PARTS LIST				PARTS LIST			
ITEM	PART#	DESCRIPTION	QTY	ITEM	PART#	DESCRIPTION	QTY
1	11517	Toolbar 6 Row 40	1	6	90110	1 x 4-3/8" Bolt	1
2	10384	Implement Stand Assembly	2	7	90111	1in Deformed Nut	1
3	11501	Left Hand Row Unit	3	8	90112	1" Washer	2
4	11502	Right Hand Row Unit	3	9	90113	Cat 2 and 3 Pin	2
5	90109	Top Link Bushing	1	10	90115	Lynch Pin 7/16" x 1-1/2"	2

28640RP

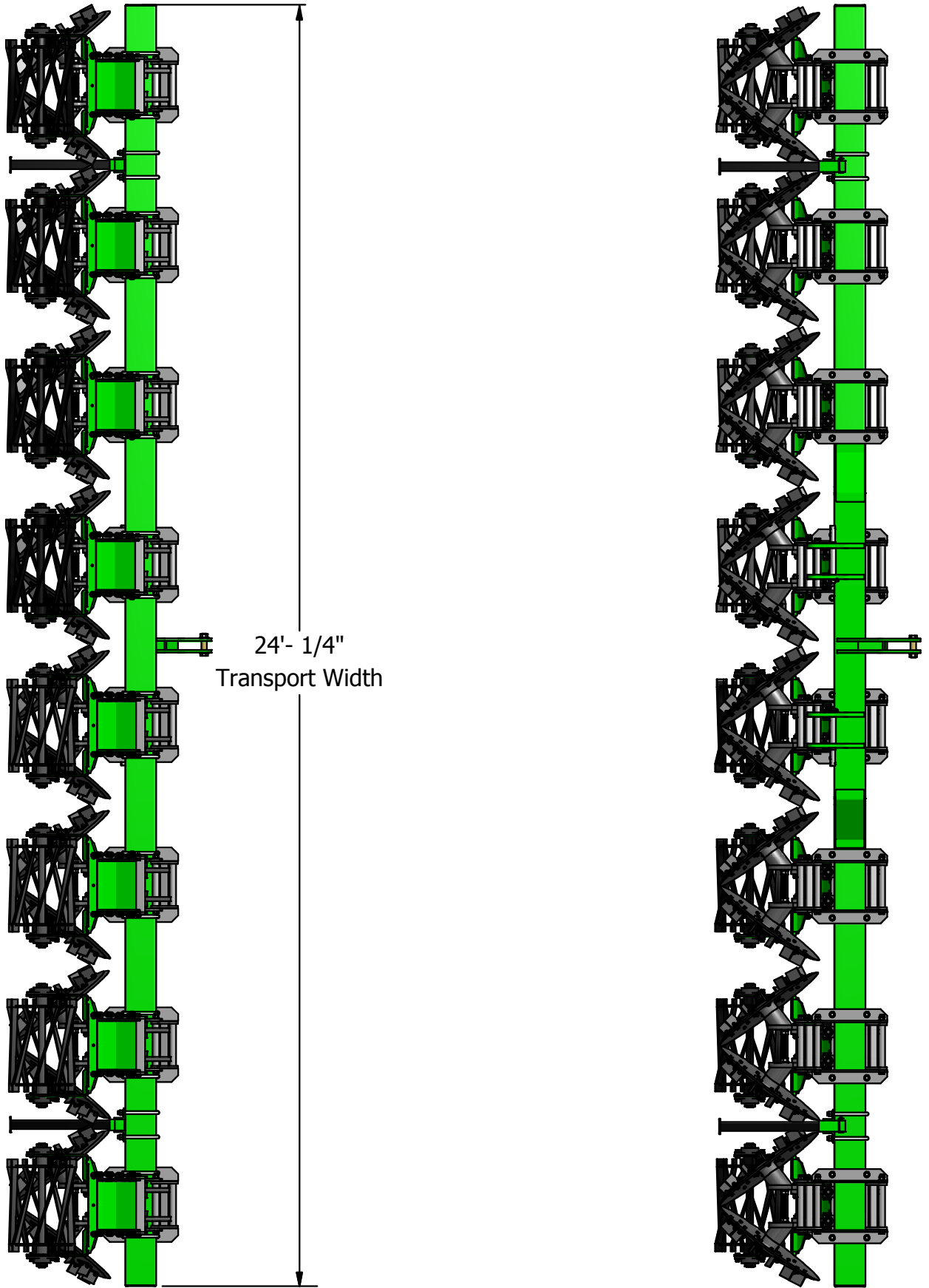


28836RP

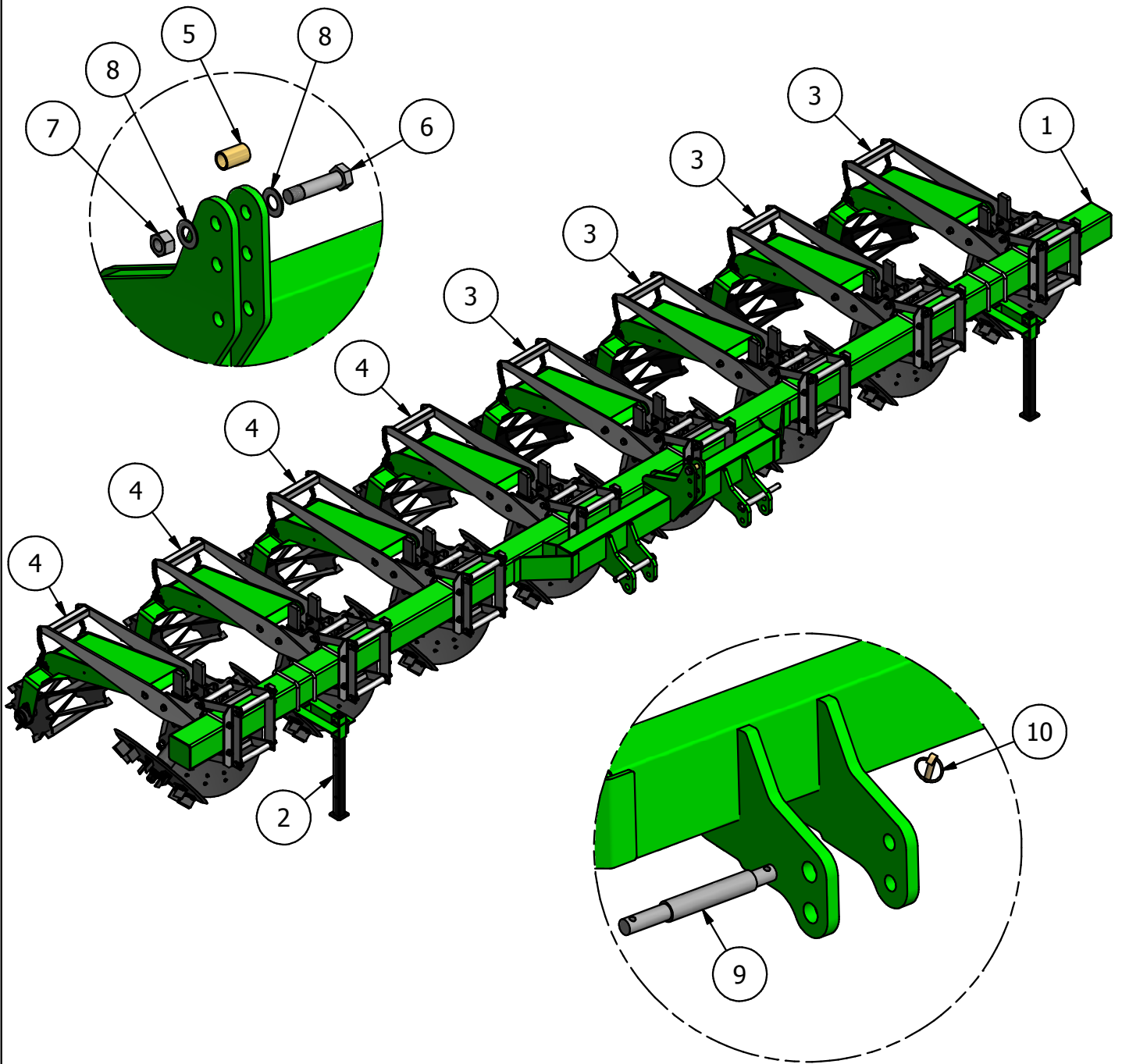


PARTS LIST				PARTS LIST			
ITEM	PART#	DESCRIPTION	QTY	ITEM	PART#	DESCRIPTION	QTY
1	11510	Toolbar 8 Row 36	1	6	90110	1 x 4-3/8" Bolt	1
2	10384	Implement Stand Assembly	2	7	90111	1in Deformed Nut	1
3	11501	Left Hand Row Unit	4	8	90112	1" Washer	2
4	11502	Right Hand Row Unit	4	9	90113	Cat 2 and 3 Pin	2
5	90109	Top Link Bushing	1	10	90115	Lynch Pin 7/16" x 1-1/2"	2

28836RP

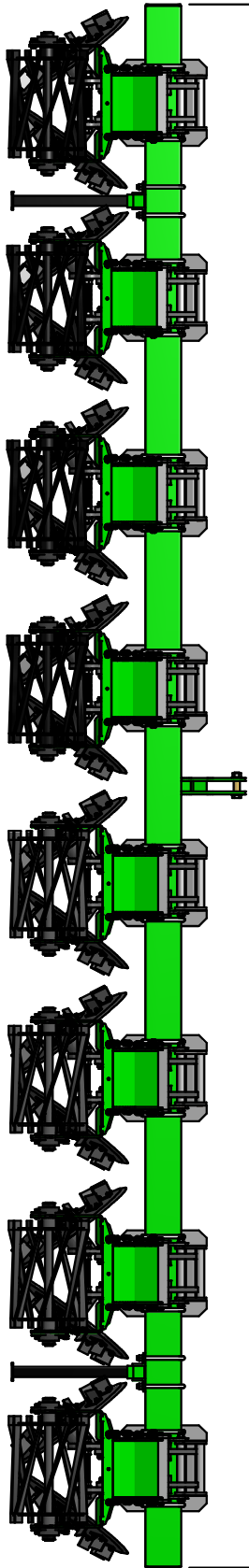


28838RP

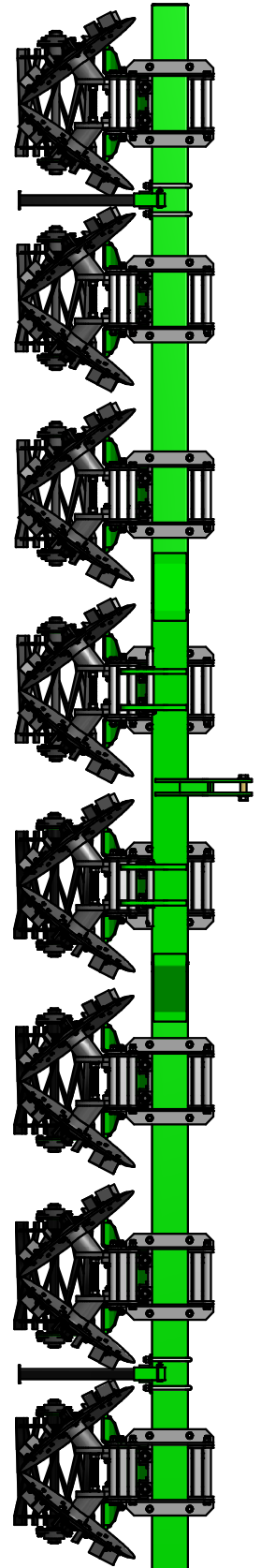


PARTS LIST				PARTS LIST			
ITEM	PART#	DESCRIPTION	QTY	ITEM	PART#	DESCRIPTION	QTY
1	11514	Toolbar 8 Row 38	1	6	90110	1 x 4-3/8" Bolt	1
2	10384	Implement Stand Assembly	2	7	90111	1in Deformed Nut	1
3	11501	Left Hand Row Unit	4	8	90112	1" Washer	2
4	11502	Right Hand Row Unit	4	9	90113	Cat 2 and 3 Pin	2
5	90109	Top Link Bushing	1	10	90115	Lynch Pin 7/16" x 1-1/2"	2

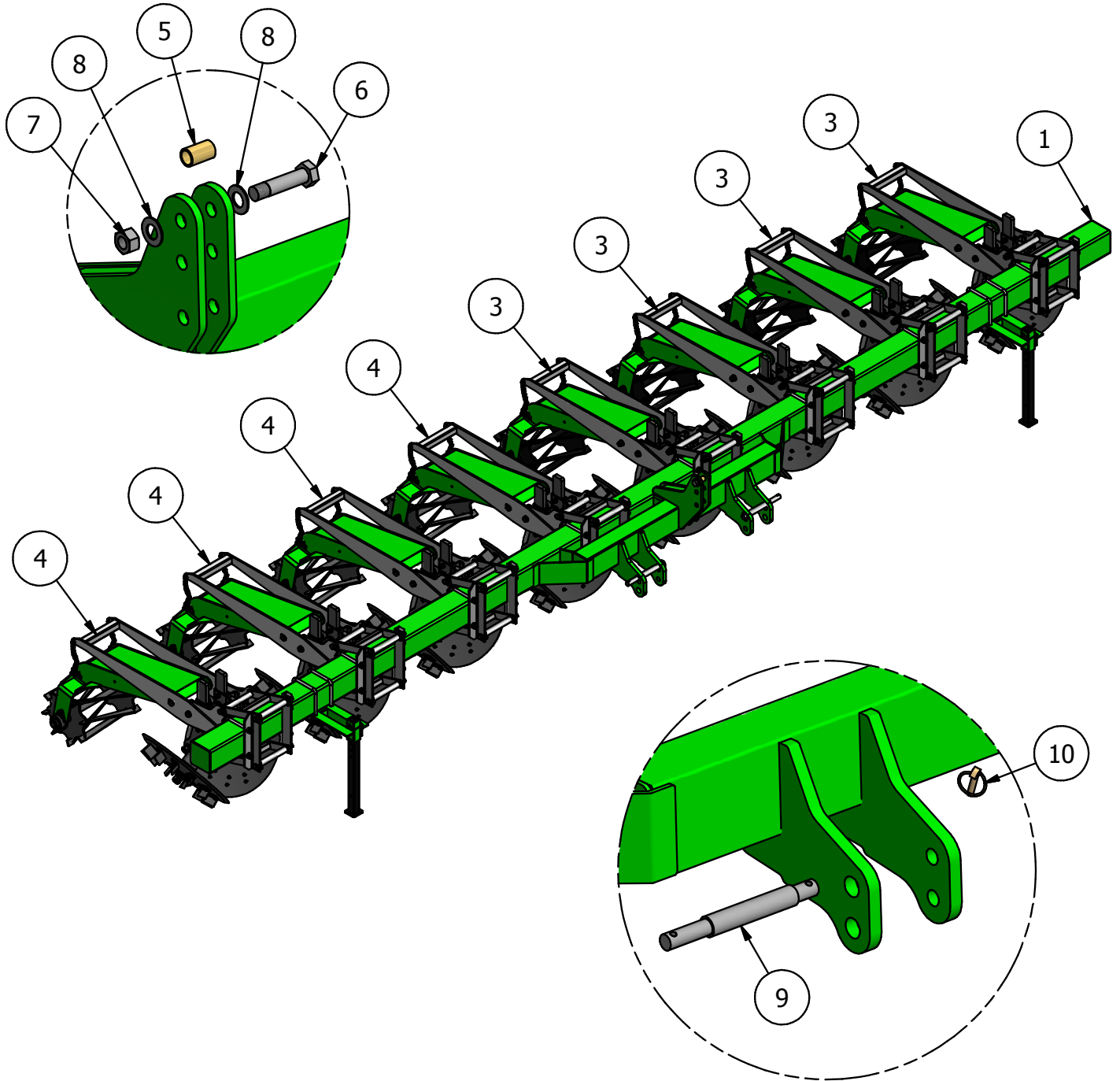
28838RP



25'-4 1/2"
Transport Width

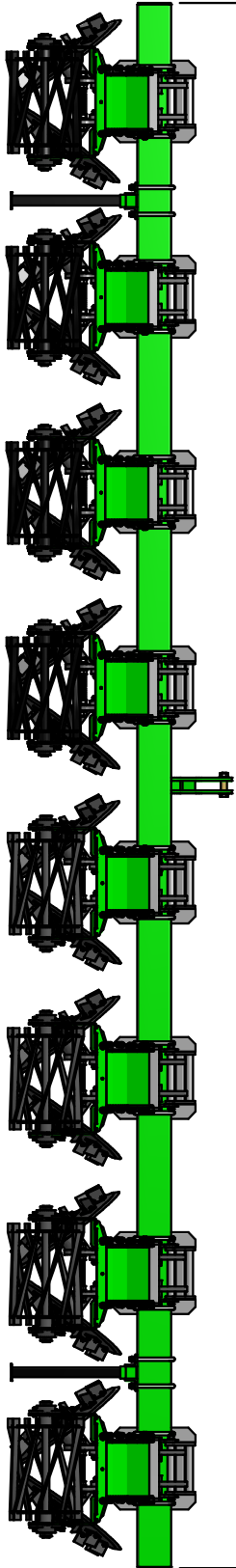


28840RP

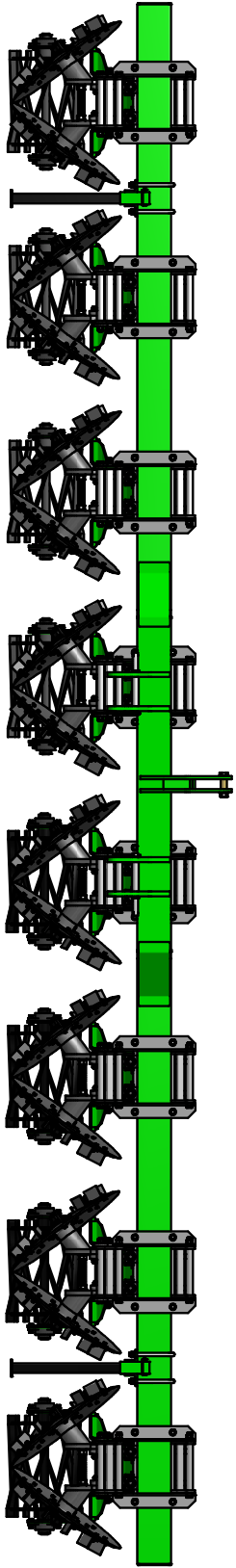


PARTS LIST				PARTS LIST			
ITEM	PART#	DESCRIPTION	QTY	ITEM	PART#	DESCRIPTION	QTY
1	11518	Toolbar 8 Row 40	1	6	90110	1 x 4-3/8" Bolt	1
2	10384	Implement Stand Assembly	2	7	90111	1in Deformed Nut	1
3	11501	Left Hand Row Unit	4	8	90112	1" Washer	2
4	11502	Right Hand Row Unit	4	9	90113	Cat 2 and 3 Pin	2
5	90109	Top Link Bushing	1	10	90115	Lynch Pin 7/16" x 1-1/2"	2

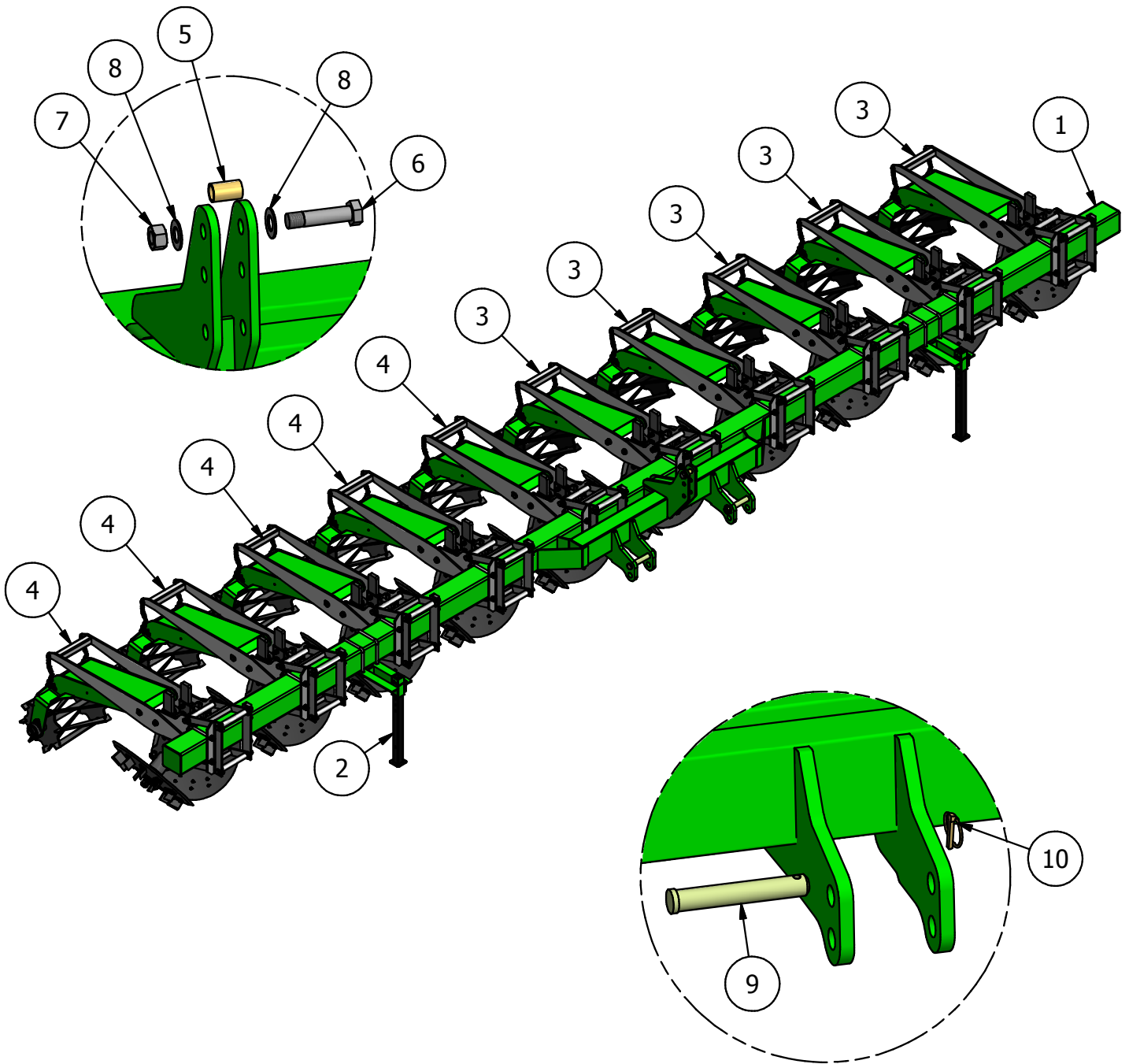
28840RP



26'-8 1/2"
Transport Width

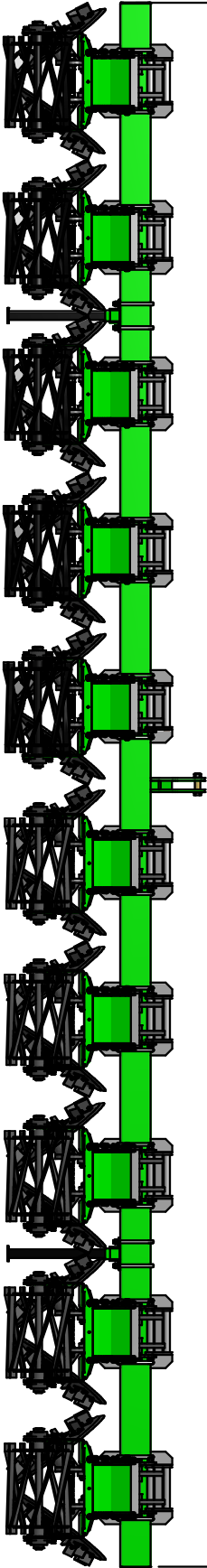


281036RP

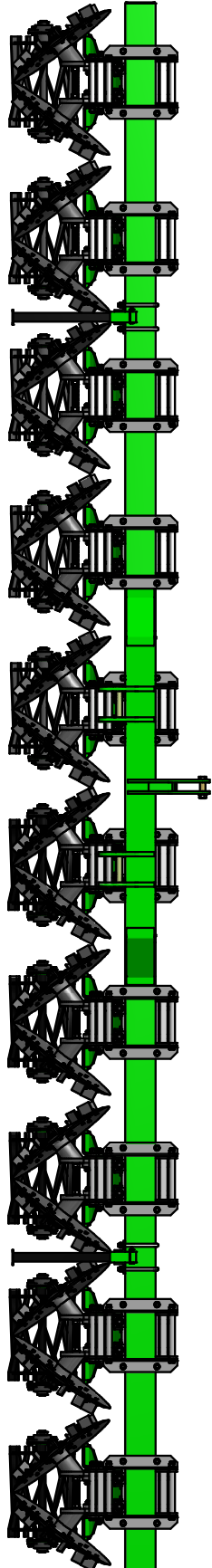


PARTS LIST				PARTS LIST			
ITEM	PART#	DESCRIPTION	QTY	ITEM	PART#	DESCRIPTION	QTY
1	11511	Toolbar 10 Row 36	1	6	90110	1 x 4-3/8" Bolt	1
2	10384	Implement Stand Assembly	2	7	90111	1in Deformed Nut	1
3	11501	Left Hand Row Unit	5	8	90112	1" Washer	2
4	11502	Right Hand Row Unit	5	9	90114	Cat 3 pin	2
5	90109	Top Link Bushing	1	10	90116	Lynch Pin 7/16" x 1-3/4"	2

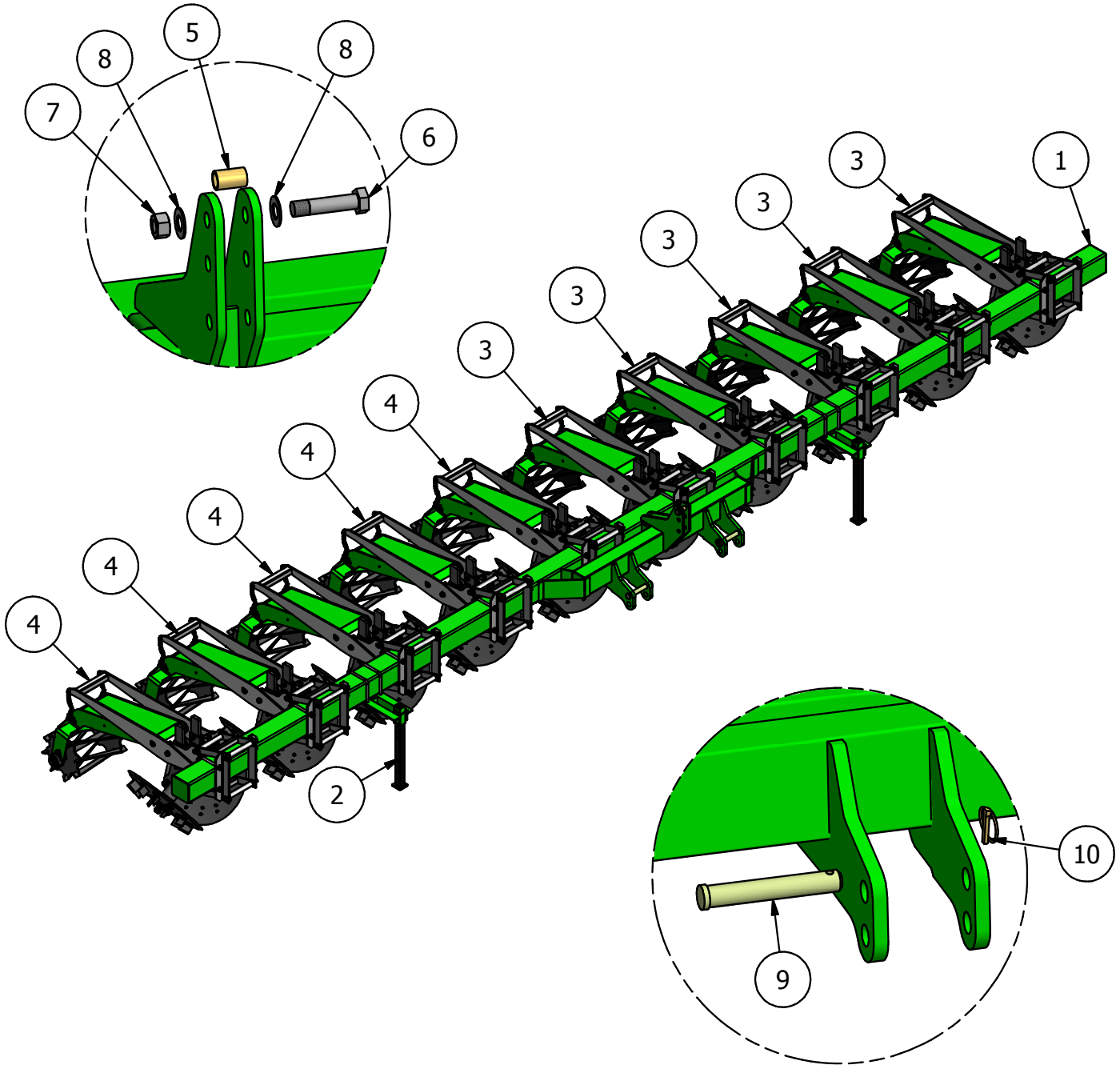
281036RP



30'- 1/4"
Transport Width

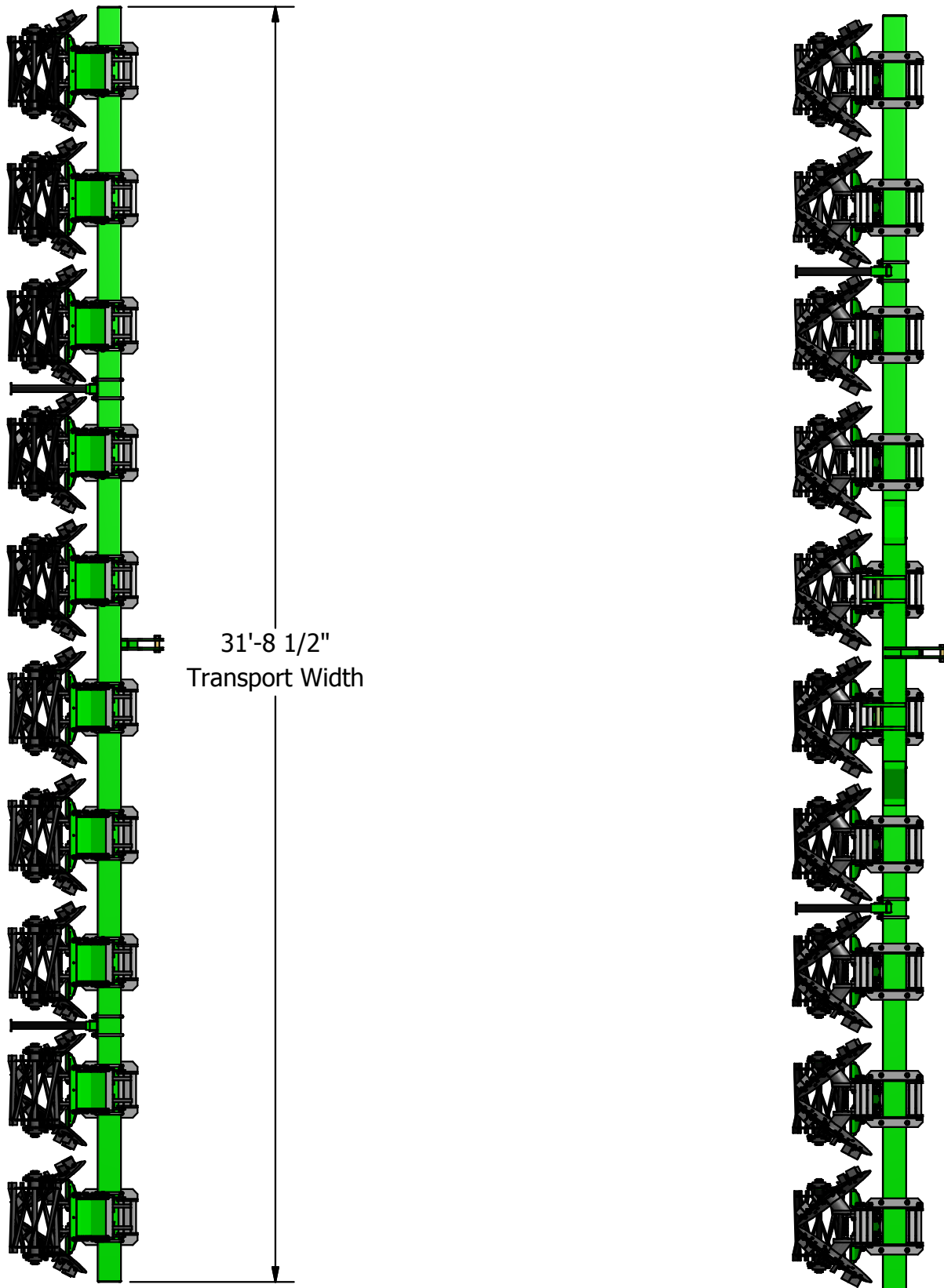


281038RP

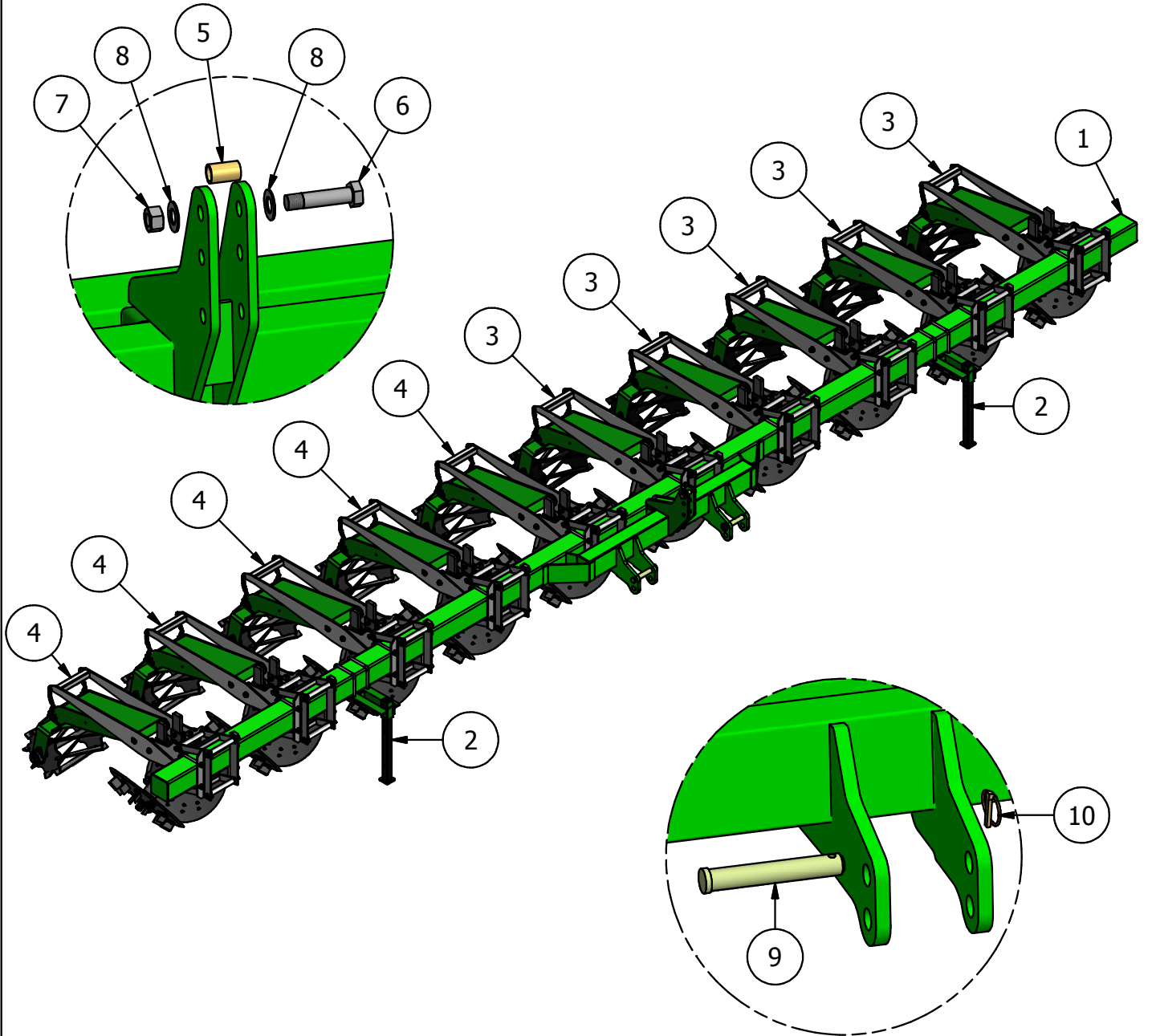


PARTS LIST				PARTS LIST			
ITEM	PART#	DESCRIPTION	QTY	ITEM	PART#	DESCRIPTION	QTY
1	11515	Toolbar 10 Row 38	1	6	90110	1 x 4-3/8" Bolt	1
2	10384	Implement Stand Assembly	2	7	90111	1in Deformed Nut	1
3	11501	Left Hand Row Unit	5	8	90112	1" Washer	2
4	11502	Right Hand Row Unit	5	9	90114	Cat 3 pin	2
5	90109	Top Link Bushing	1	10	90116	Lynch Pin 7/16" x 1-3/4"	2

281038RP

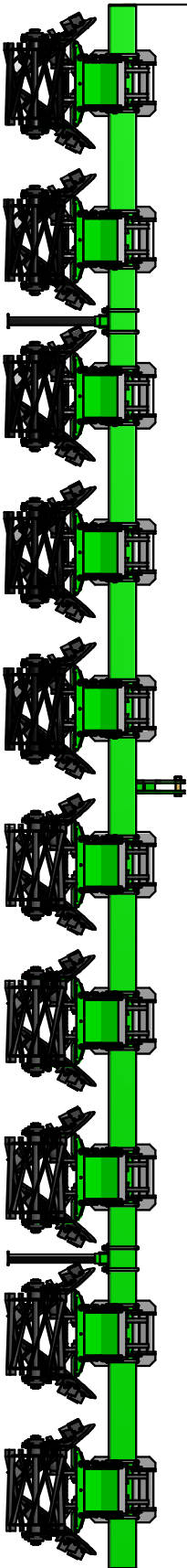


281040RP



PARTS LIST				PARTS LIST			
ITEM	PART#	DESCRIPTION	QTY	ITEM	PART#	DESCRIPTION	QTY
1	11519	Toolbar 10 Row 40	1	6	90110	1 x 4-3/8" Bolt	1
2	10384	Implement Stand Assembly	2	7	90111	1in Deformed Nut	1
3	11501	Left Hand Row Unit	5	8	90112	1" Washer	2
4	11502	Right Hand Row Unit	5	9	90114	Cat 3 pin	2
5	90109	Top Link Bushing	1	10	90116	Lynch Pin 7/16" x 1-3/4"	2

281040RP



33'-4 1/2"
Transport Width

