

*Quality Built Since 1973*



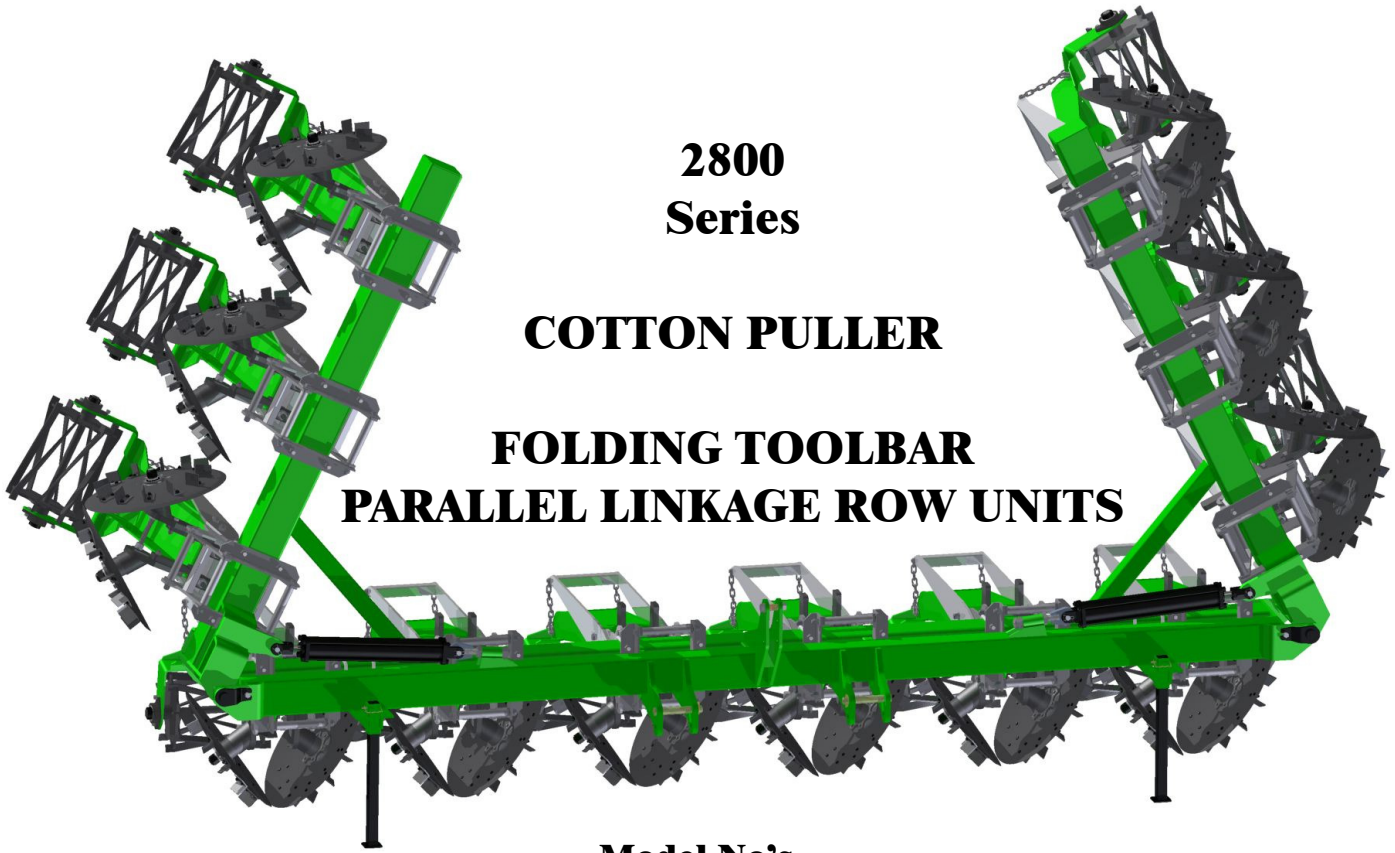
## **SETUP AND PARTS MANUAL**

**2800  
Series**

**COTTON PULLER**

**FOLDING TOOLBAR**

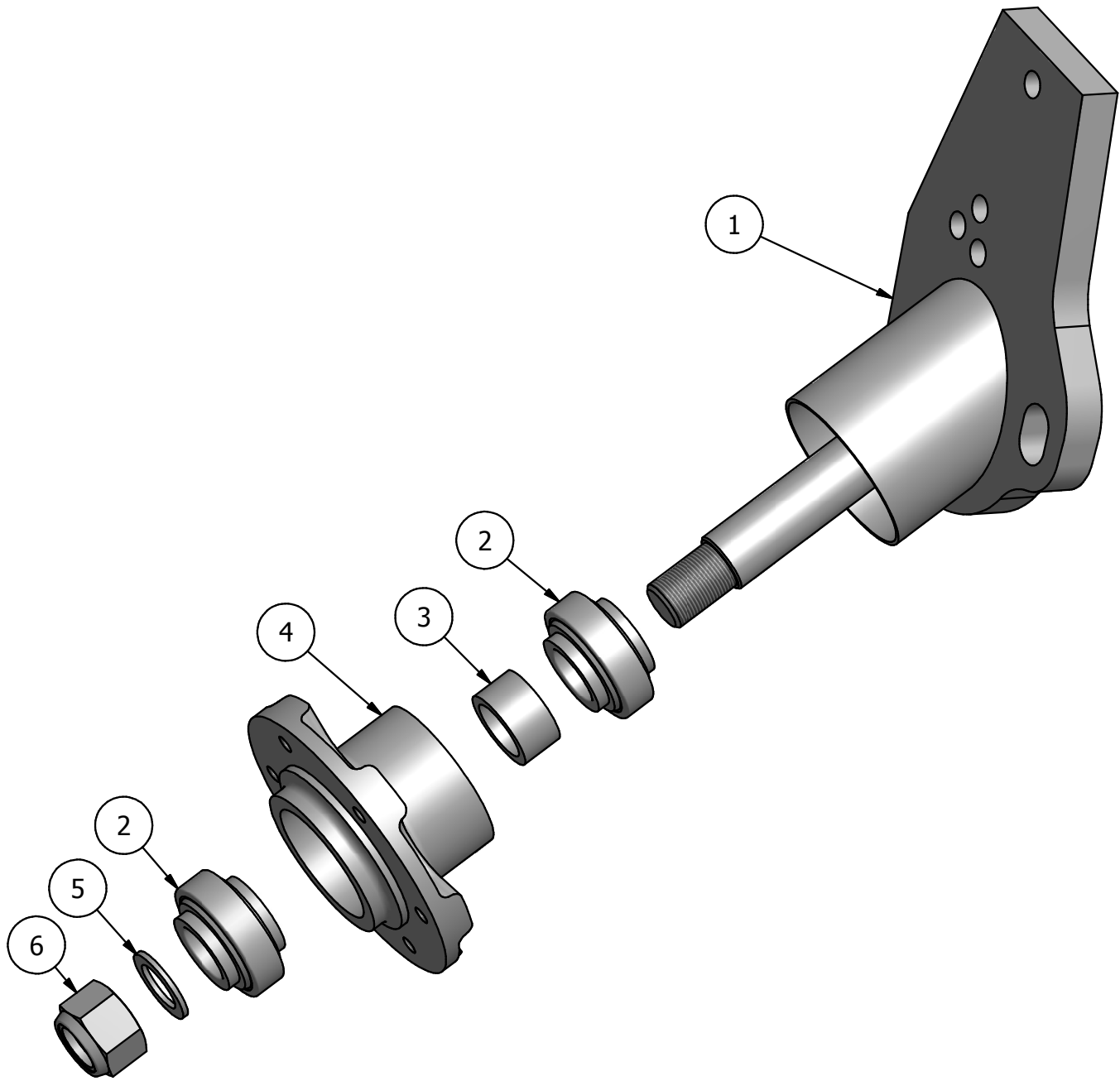
**PARALLEL LINKAGE ROW UNITS**



### **Model No's.**

<b>28836FP</b>	<b>8 Row 36" Spacing</b>
<b>28838FP</b>	<b>8 Row 38" Spacing</b>
<b>28840FP</b>	<b>8 Row 40" Spacing</b>
<b>281036FP</b>	<b>10 Row 36" Spacing</b>
<b>281038FP</b>	<b>10 Row 38" Spacing</b>
<b>281040FP</b>	<b>10 Row 40" Spacing</b>
<b>281236FP</b>	<b>12 Row 36" Spacing</b>
<b>281238FP</b>	<b>12 Row 38" Spacing</b>
<b>281240FP</b>	<b>12 Row 40" Spacing</b>

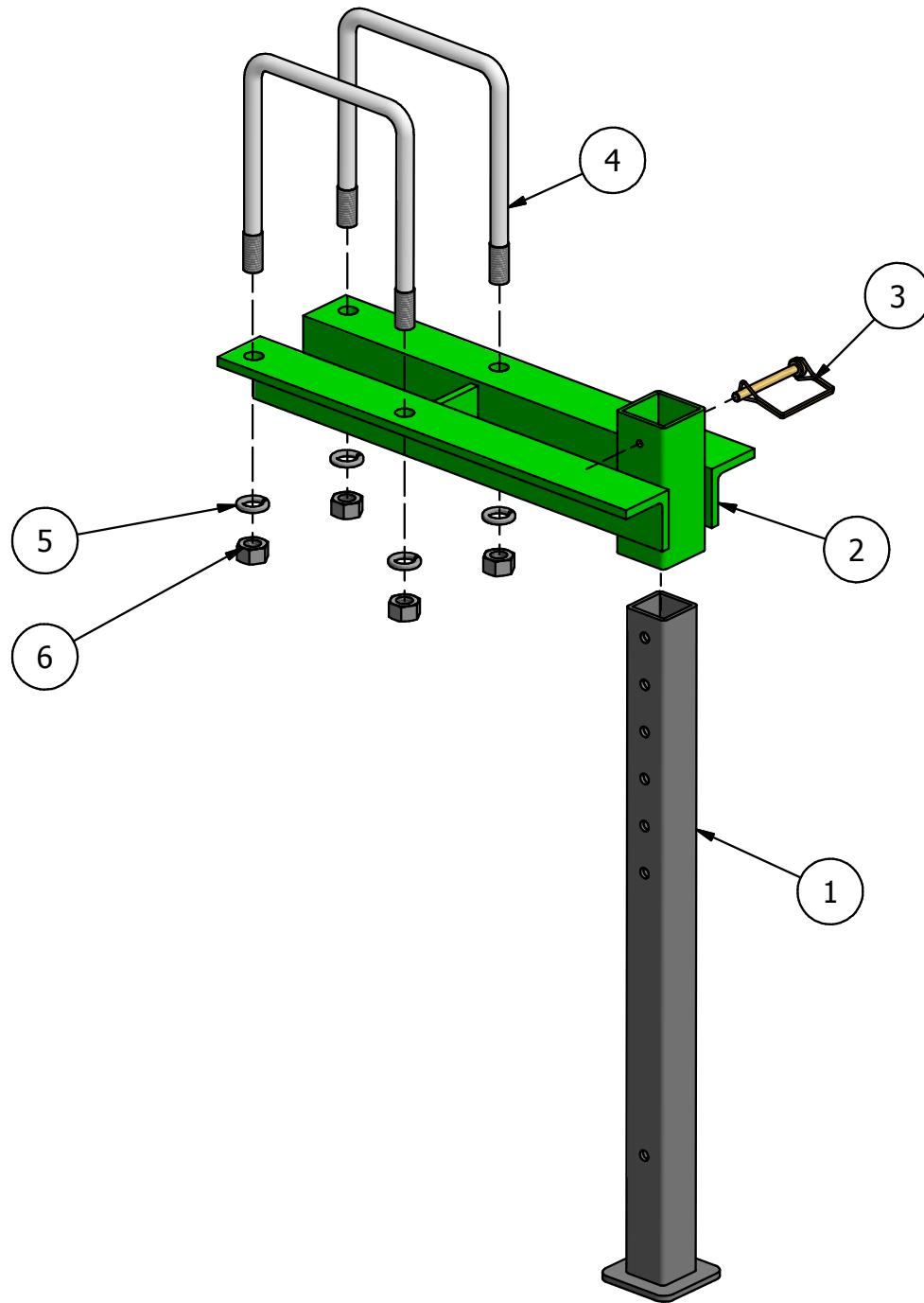
# BEARING AND HUB ASSEMBLY



## PARTS LIST

ITEM	PART #	DESCRIPTION	QTY
1	11151	Axle Weldment Left Hand	1
2	90310	Sealed Bearing	2
3	11130	Spacer Sealed Bearing Hub	1
4	11140	Hub	1
5	90311	1-1/4" Machine Washer	1
6	90312	1-1/4" Nylock Fine Thread Nut	1

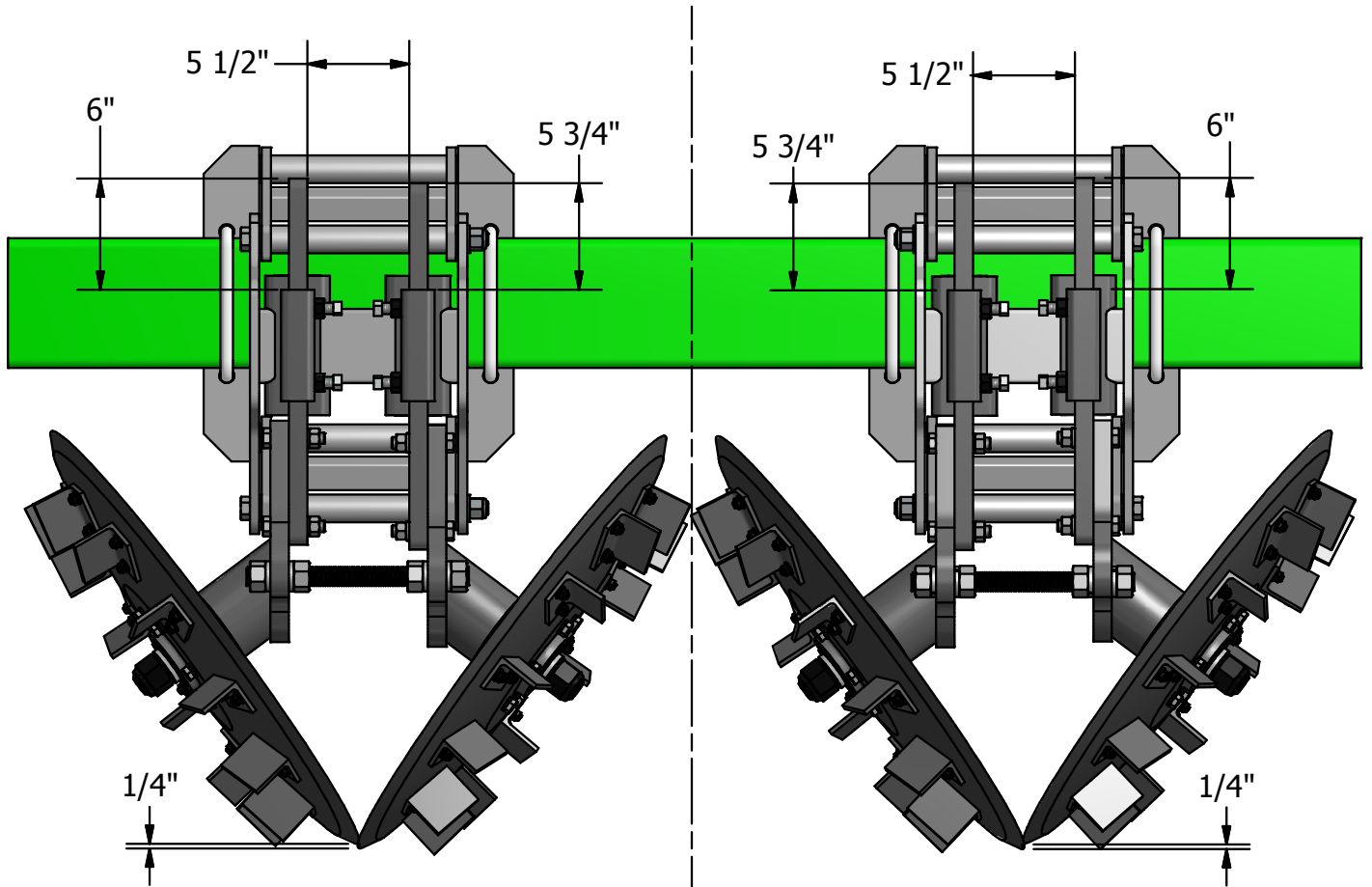
# 10384 Implement Stand



## PARTS LIST

ITEM	PART #	DESCRIPTION	QTY
1	10992	Imp Stand Leg	1
2	10993	Stand Frame	1
3	90000	Lynch Pin	1
4	90139	U-bolt 3/4" x 7 1/8" x 9	2
5	90158	.75 lock washer	4
6	90160	3/4" nut	4

# Blade Setup Cotton puller



LEFT SIDE  
OF MACHINE

CENTER  
OF  
MACHINE

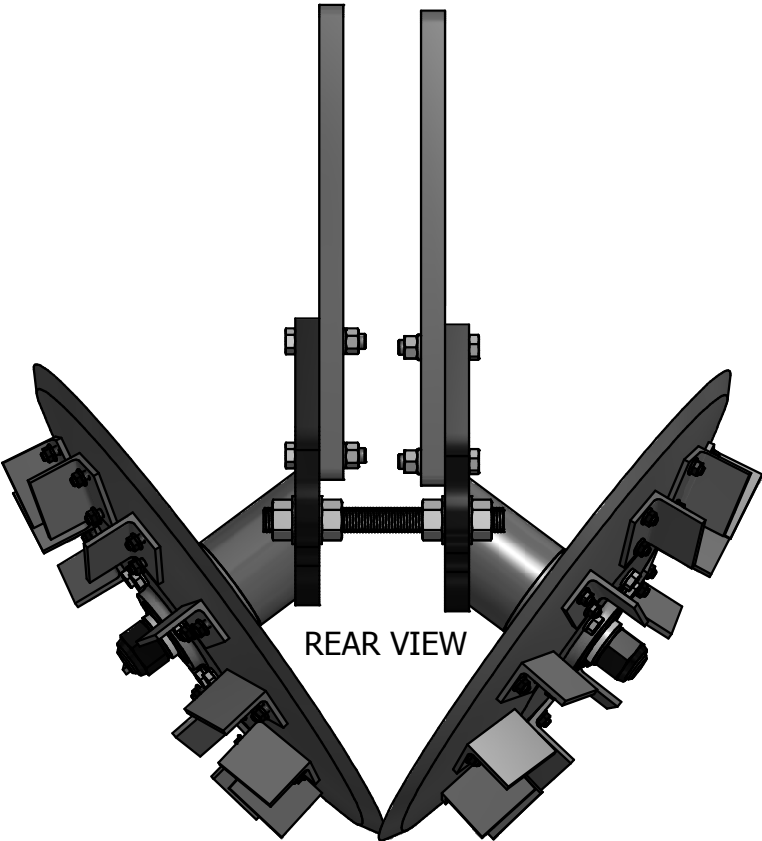
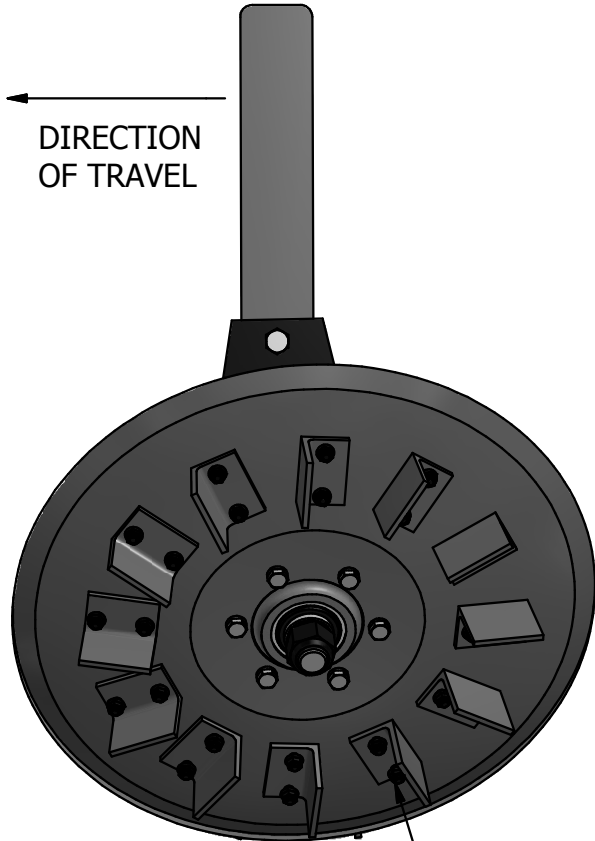
RIGHT SIDE  
OF MACHINE

BLADES ON LEFT  
SIDE OF MACHINE  
SHOULD ALL BE SET  
IN THIS MANOR

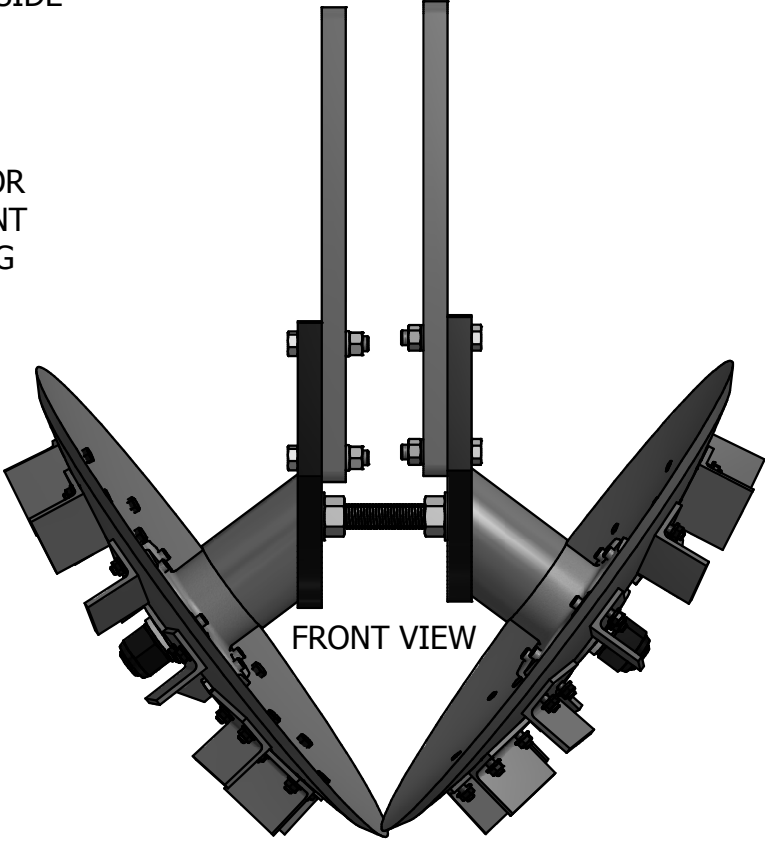
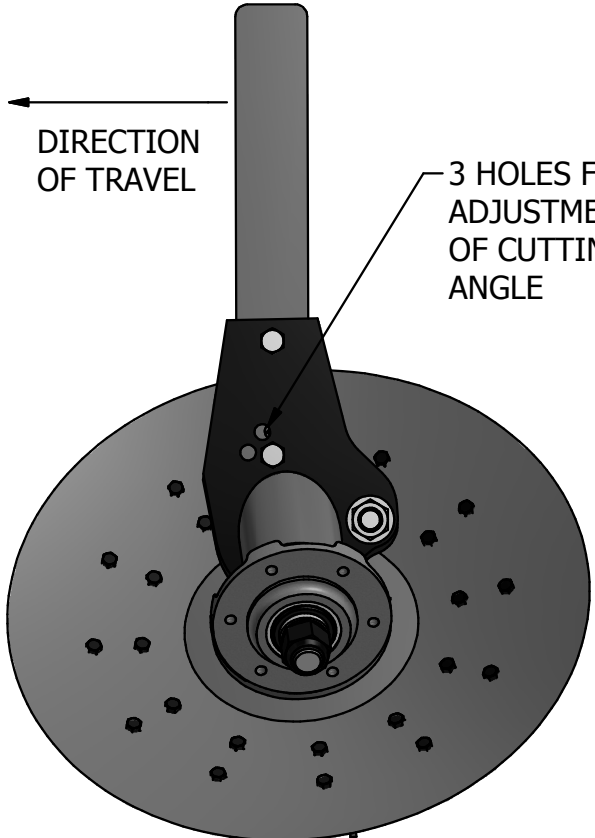
BLADES ON RIGHT  
SIDE OF MACHINE  
SHOULD ALL BE SET  
IN THIS MANOR

VIEW FROM REAR OF MACHINE  
SOME PARTS HAVE BEEN  
REMOVED FOR CLARITY

**BLADE SETUP**



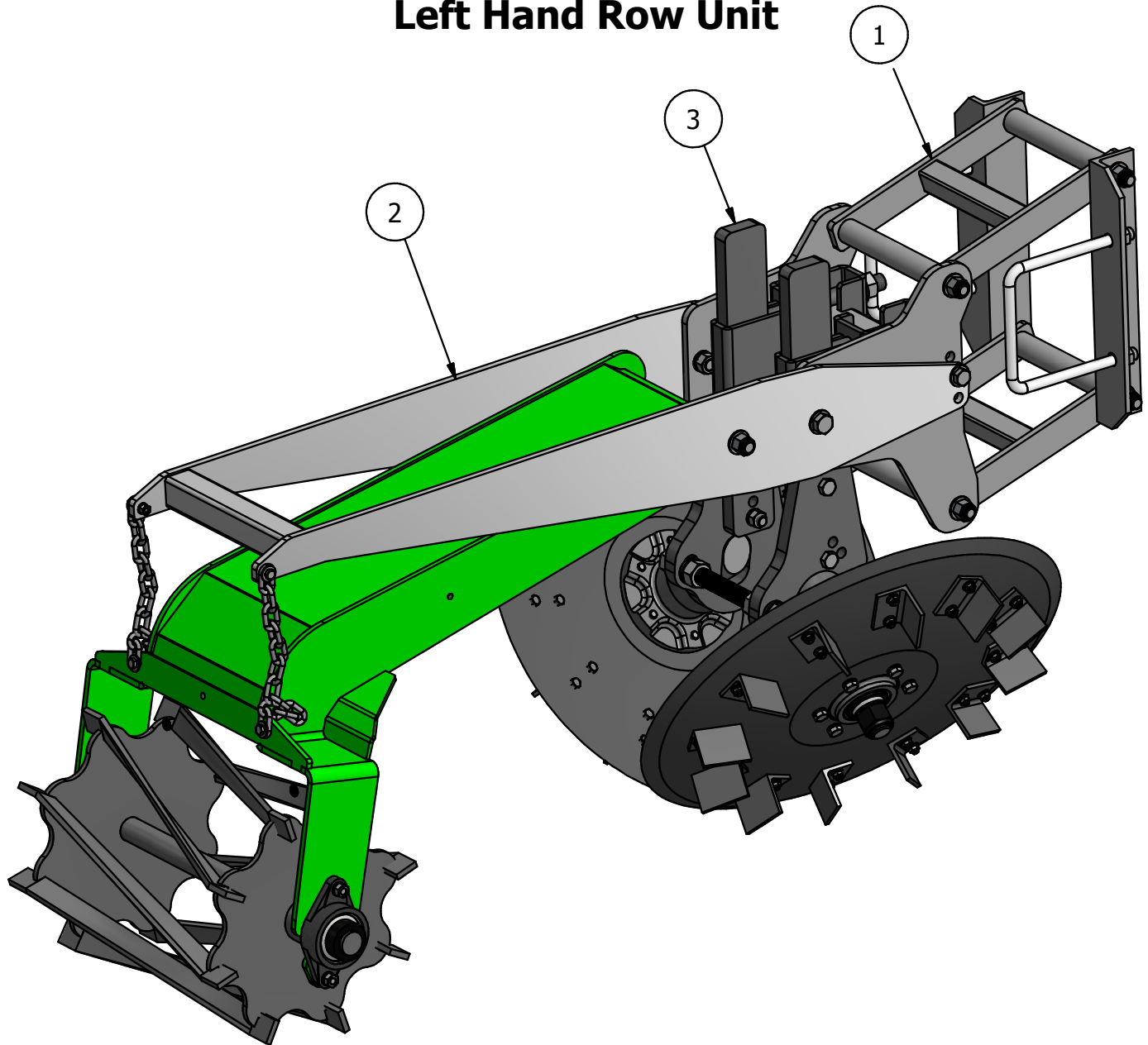
WASHER & NUT  
ON ANGLE SIDE



3 HOLES FOR  
ADJUSTMENT  
OF CUTTING  
ANGLE

LEFT BLADE REMOVED

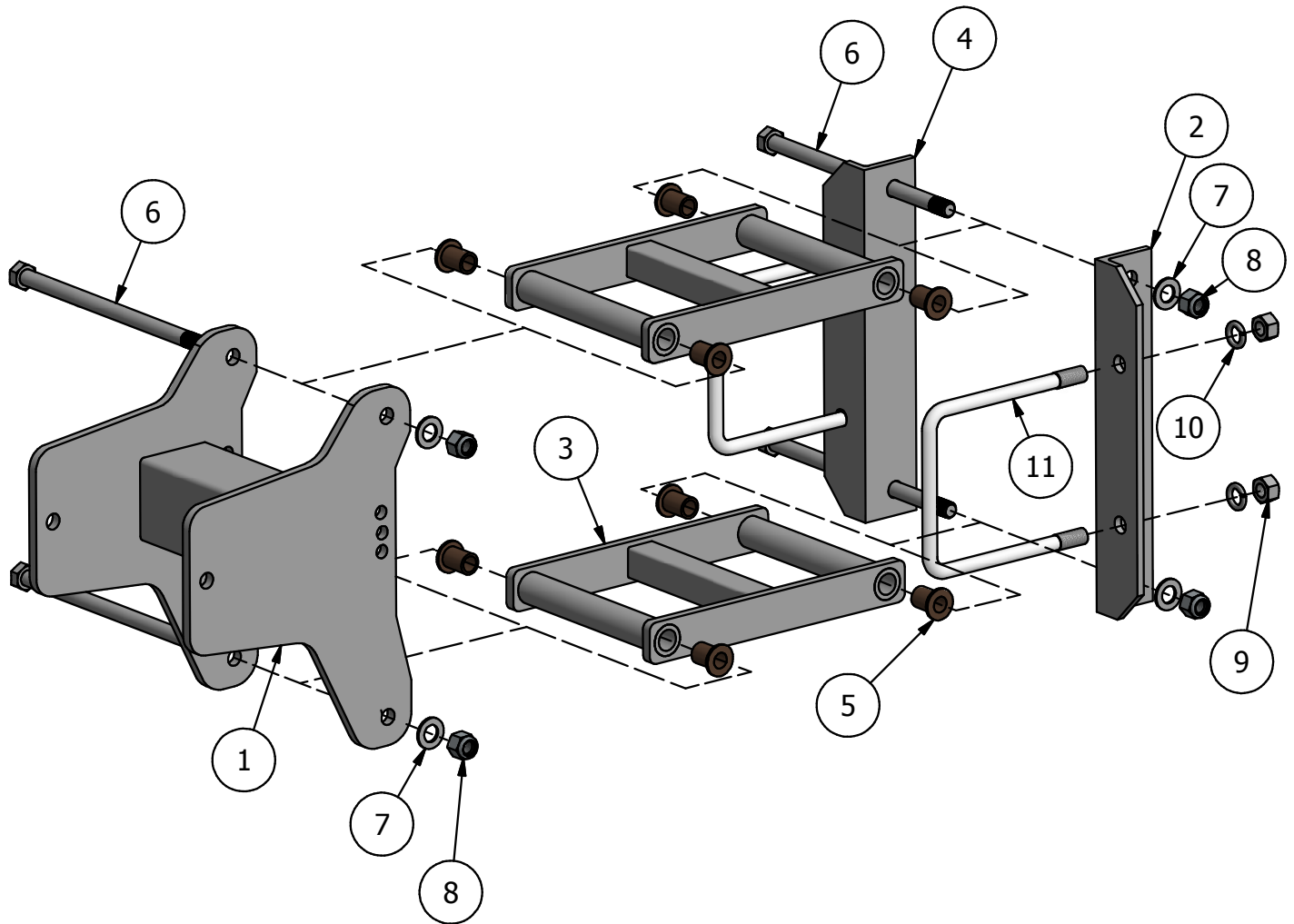
# 11501 Left Hand Row Unit



## PARTS LIST

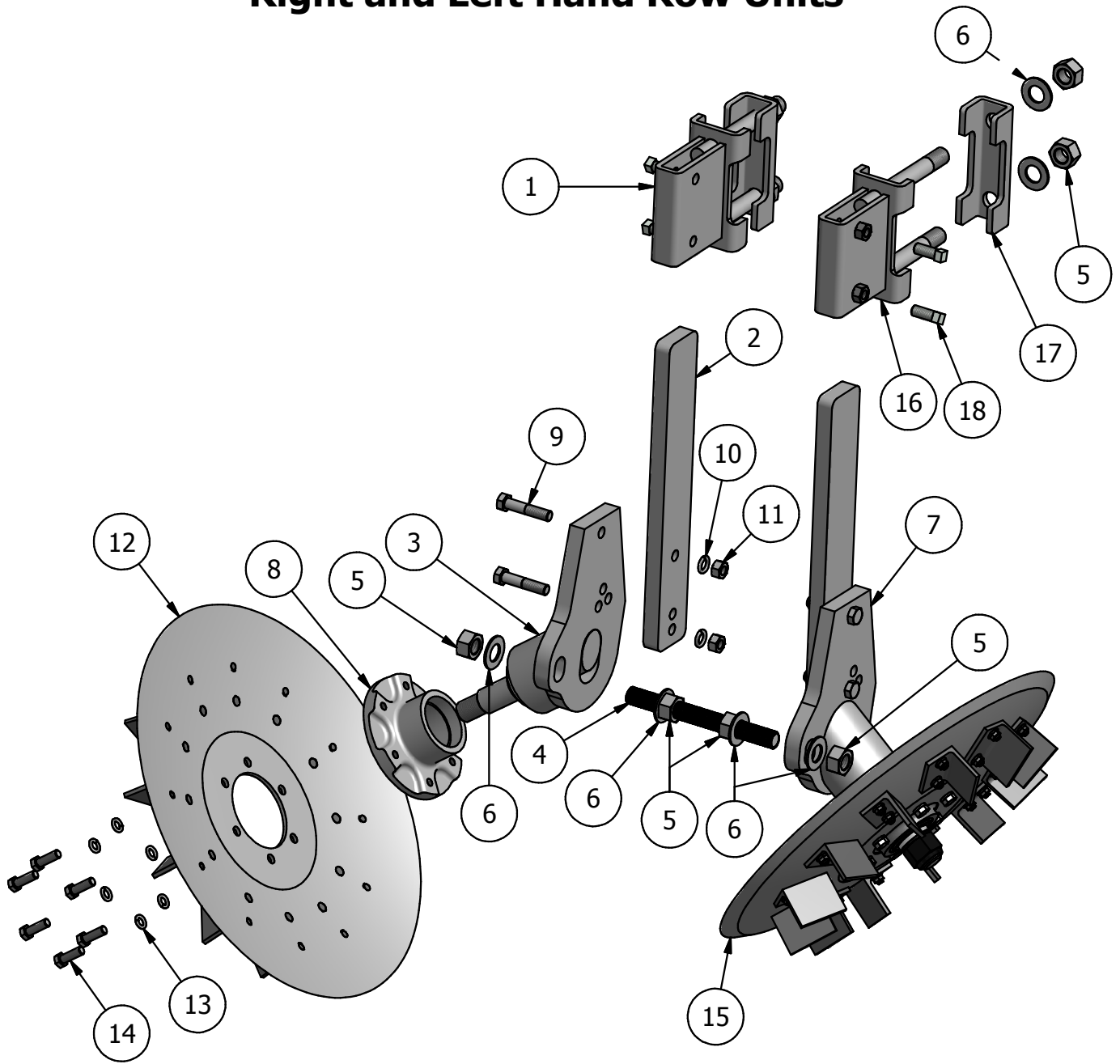
ITEM	PART NUMBER	DESCRIPTION	QTY
1	11605	Parallel Linkage Assy LH Row Unit	1
2	11604	Left Hand Basket Assy	1
3	11608	Right and left Blade Assy	1

# 11605 Left Hand Parallel Linkage



PARTS LIST				PARTS LIST			
ITEM	PART#	DESCRIPTION	QTY	ITEM	PART#	DESCRIPTION	QTY
1	11142	4" Toolbar Weldment LH	1	7	90167	Flat Washer 3/4"	4
2	11025	Angle Bracket	1	8	90343	3/4" Nylock Nut	4
3	11026	Parallel Linkage	2	9	90160	3/4" nut	4
4	11118	Angle Bracket with Stops	1	10	90158	3/4" Lock Washer	4
5	90332	Bushing	8	11	90139	U-bolt 3/4" x 7 1/8" x 9	2
6	11047	3/4" x 12-7/8"	4				

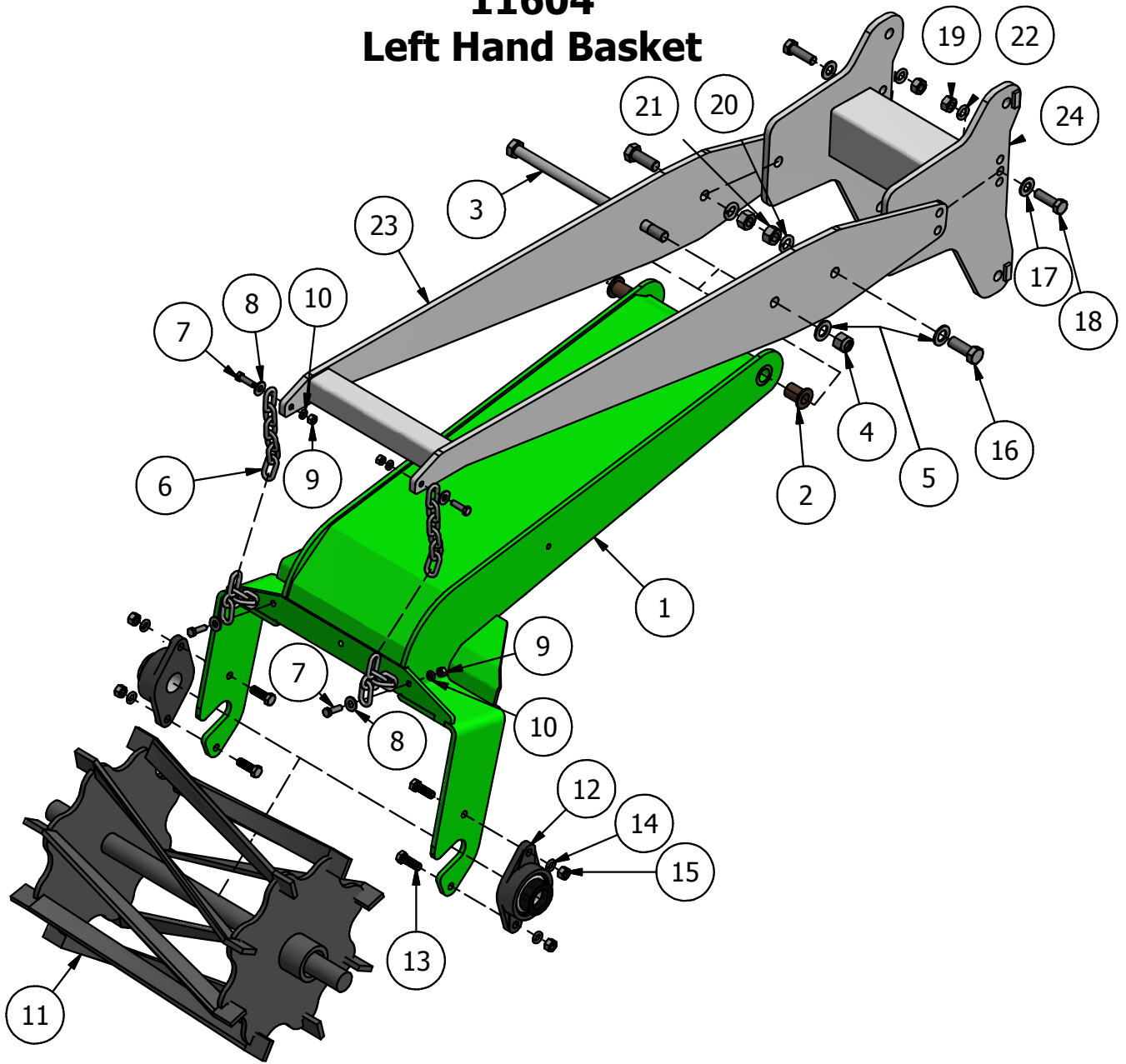
# 11608 Right and Left Hand Row Units



PARTS LIST				PARTS LIST			
ITEM	PART #	DESCRIPTION	QTY	ITEM	PART #	DESCRIPTION	QTY
1	11019	4 x 4 Clamp Complete	2	10	90123	5/8" Lock Washer	4
2	11012	Vert. Height Bar	2	11	90137	5/8" Nut	4
3	11151	Axle Weldment Left	1	12	11154	Left Disc with Angles	1
4	90331	1" Threaded Rod	1	13	90134	1/2" Lock Washer	12
5	90148	1" Nut	8	14	90337	1/2" x 1-1/2" Bolt FT	12
6	90112	1" Washer	8	15	11155	Right Disc with Angles	1
7	11152	Axle Weldment Right	1	16	11020	Vert. Clamp Weldment	1
8	11140	Hub	2	17	11024	Front Clamp	1
9	90151	5/8" x 3" Bolt	4	18	90412	5/8" x 1-1/2" sq. hd bolt	4

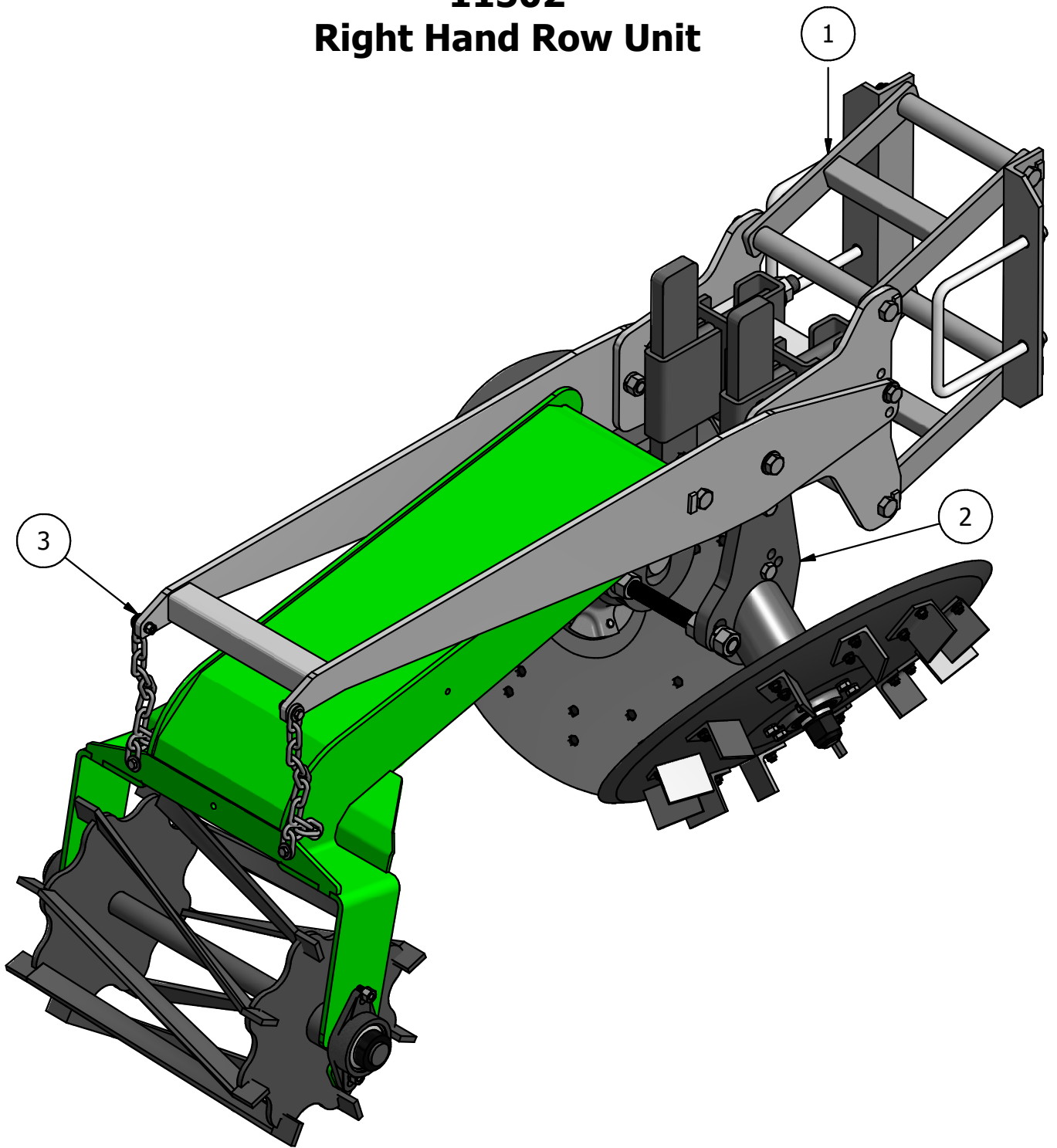


# 11604 Left Hand Basket



PARTS LIST				PARTS LIST			
ITEM	PART#	DESCRIPTION	QTY	ITEM	PART#	DESCRIPTION	QTY
1	11139	Swing Arm Assy	1	13	90136	1/2" x 1-1/2" Bolt	4
2	90332	Bushing	2	14	90134	1/2" Lock Washer	4
3	90330	3/4" x 14-1/8" Bolt	1	15	90138	1/2" nut	4
4	90343	3/4" Nylock Nut	1	16	90342	3/4" x 2" Bolt	2
5	90167	Flat Washer 3/4"	3	17	90228	5/8" Flat Washer	2
6	90341	Chain Links	24	18	90161	5/8" x 2" Bolt	2
7	90173	3/8" x 1-1/4" Bolt	4	19	90137	5/8" Nut	2
8	90224	3/8" Flat Washer	4	20	90158	3/4" Lock Washer	2
9	90118	3/8" Nut	4	21	90160	3/4" nut	2
10	90121	3/8" Lock Washer	4	22	90123	5/8" Lock Washer	2
11	11145	Basket Weldment	1	23	11157	Lift Arm Weldment LH	1
12	90340	Bearing 1-1/2"	2	24	11143	4" Toolbar Weldment LH	1

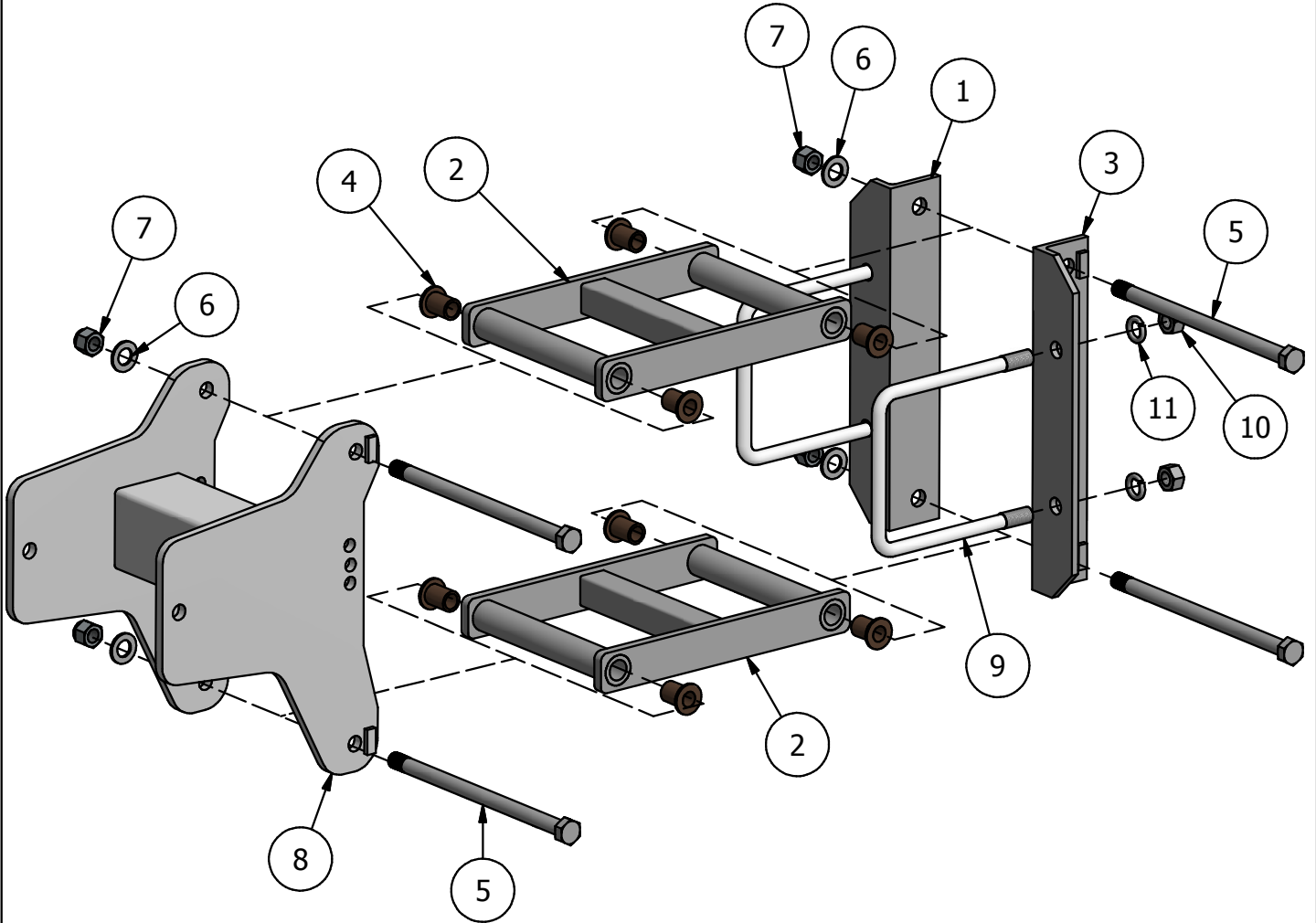
# 11502 Right Hand Row Unit



## PARTS LIST

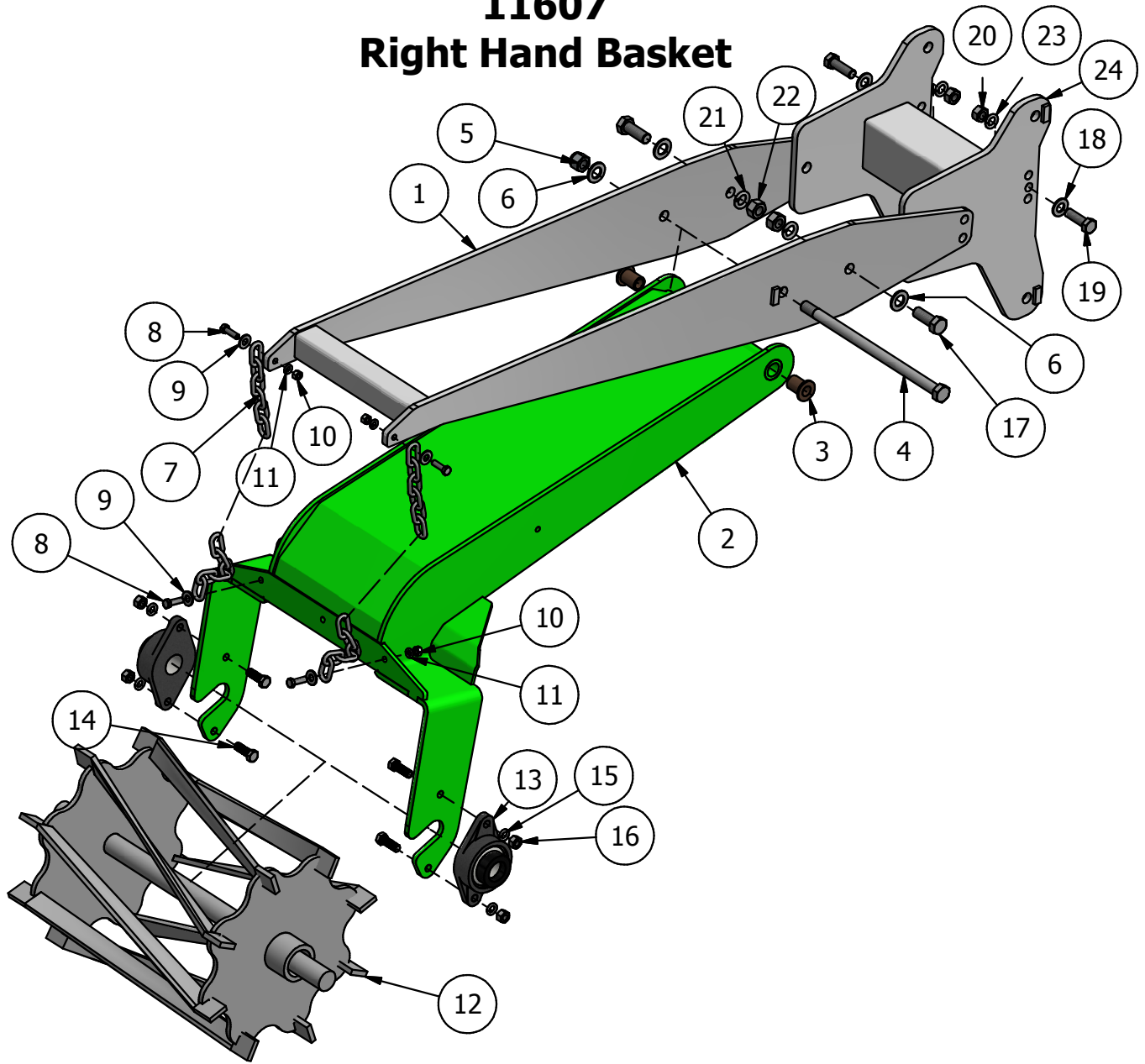
ITEM	PART NUMBER	DESCRIPTION	QTY
1	11609	Parallel Linkage Assy RH Row Unit	1
2	11608	Right and Left Blade Assy	1
3	11607	Right Hand Basket Assy	1

# 11609 Right Hand Parallel Linkage



PARTS LIST				PARTS LIST			
ITEM	PART#	DESCRIPTION	QTY	ITEM	PART#	DESCRIPTION	QTY
1	11025	Angle Bracket	1	7	90343	3/4" Nylock Nut	4
2	11026	Parallel Linkage	2	8	11143	4" Toolbar Weldment RH	1
3	11118	Angle Bracket with Stops	1	9	90139	U-bolt 3/4" x 7 1/8" x 9	2
4	90332	Bushing	8	10	90160	3/4" nut	4
5	11047	3/4" x 12-7/8" Bolt	4	11	90158	3/4" Lock Washer	4
6	90167	Flat Washer 3/4"	4				

# 11607 Right Hand Basket



PARTS LIST				PARTS LIST			
ITEM	PART#	DESCRIPTION	QTY	ITEM	PART#	DESCRIPTION	QTY
1	11158	Lift Arm Weldment RH	1	13	90340	Bearing 1-1/2"	2
2	11139	Swing Arm Assy	1	14	90136	1/2" x 1-1/2" Bolt	4
3	90332	Bushing	2	15	90134	1/2" Lock Washer	4
4	90330	3/4" x 14-1/8" Bolt	1	16	90138	1/2" nut	4
5	90343	3/4" Nylock Nut	1	17	90342	3/4" x 2" Bolt	2
6	90167	Flat Washer 3/4"	3	18	90228	5/8" Flat Washer	2
7	90341	Chain Links	24	19	90161	5/8" x 2" Bolt	2
8	90173	3/8" x 1-1/4" Bolt	4	20	90137	5/8" Nut	2
9	90224	3/8" Flat Washer	4	21	90158	3/4" Lock Washer	2
10	90118	3/8" Nut	4	22	90160	3/4" nut	2
11	90121	3/8" Lock Washer	4	23	90123	5/8" Lock Washer	2
12	11145	Basket Weldment	1	24	11143	4" Toolbar Weldment RH	1

## Wing Hydraulic Plumbing All Models

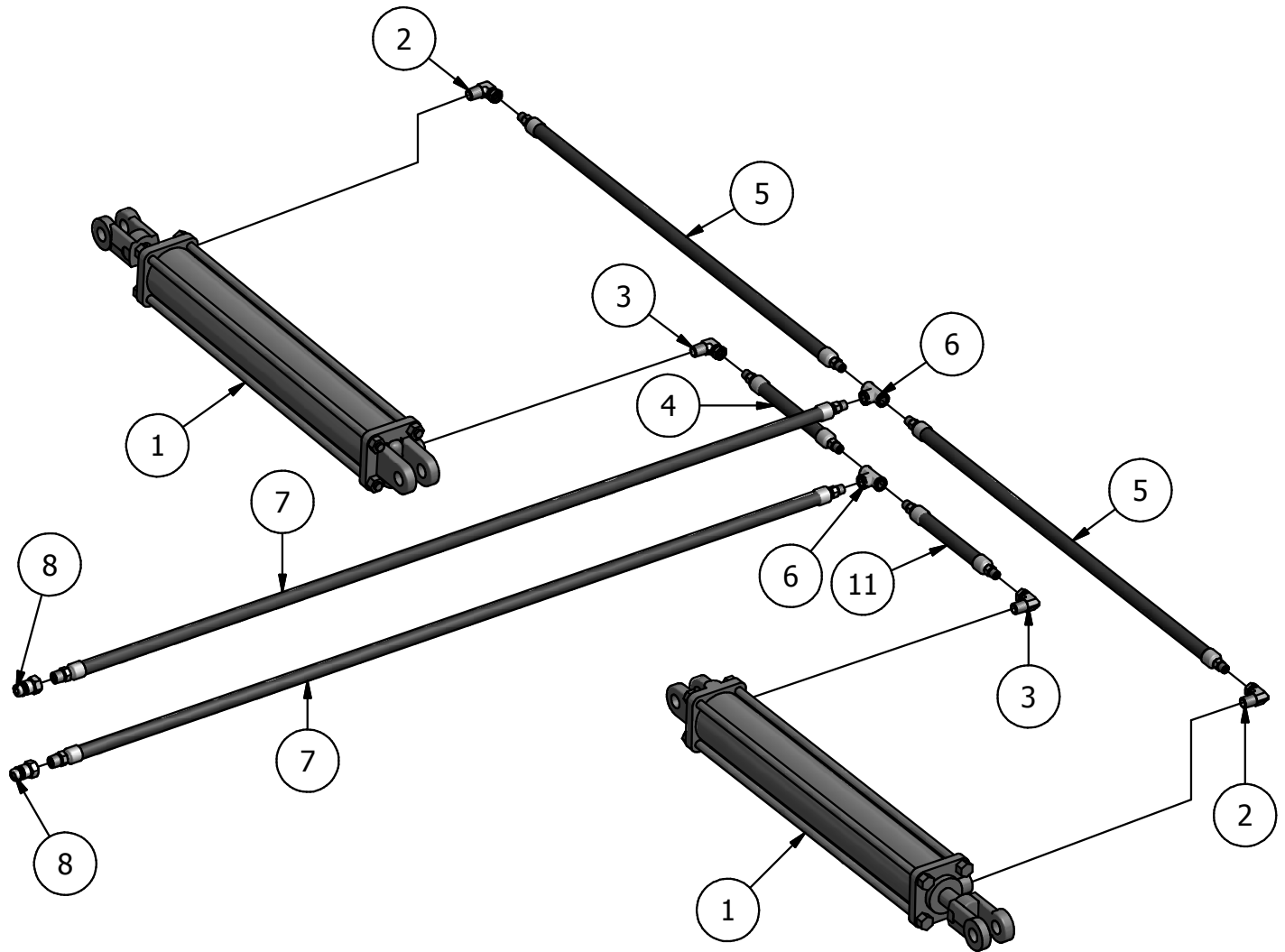


TABLE				TABLE			
ITEM	PART#	DESCRIPTION	QTY	ITEM	PART#	DESCRIPTION	QTY
1		Hyd. Cylinder		4	16682	281040/281240	2
	3-1/2"x24"	28836/28838/28840	2	5	16683	28836	2
	4" x 24"	281036/281038/281040	2		16684	28838	2
	4" x 24"	281236/281238/281240	2		16685	28840	2
2	90198	90 Elbow swivel with Orifice	2		16686	281036/281236	2
3	90285	90 Elbow swivel	2		16687	281038/281238	2
4	16677	28836	2		16688	281040/281240	2
	16678	28838	2	6	90239	Female Pipe Tee	2
	16679	28840	2	7	10748	All Machines	2
	16680	281036/281236	2	8	90245	Pioneer Coupling	2
	16681	281038/281238	2				

# Wing Hinge Assembly All Models

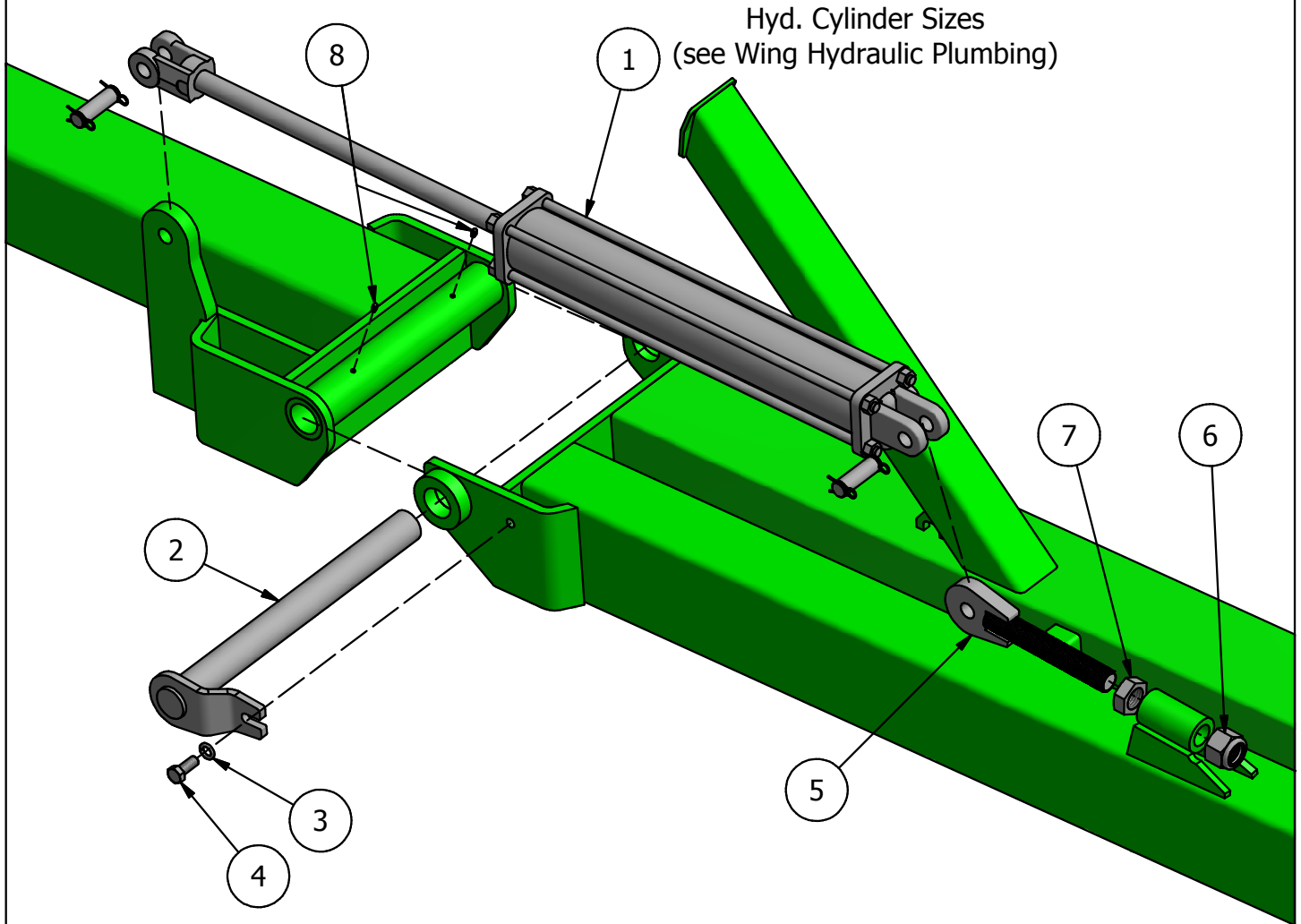
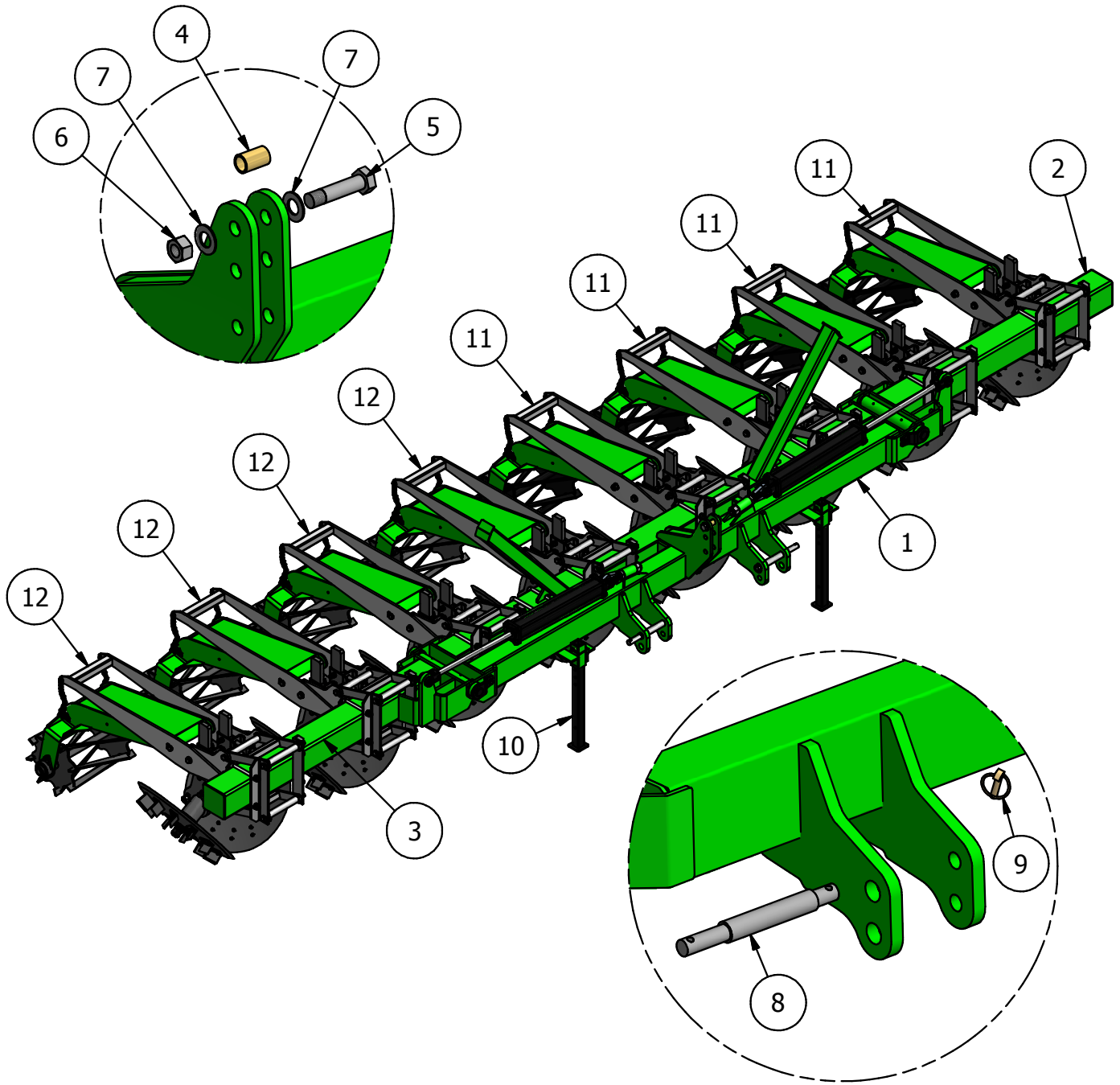


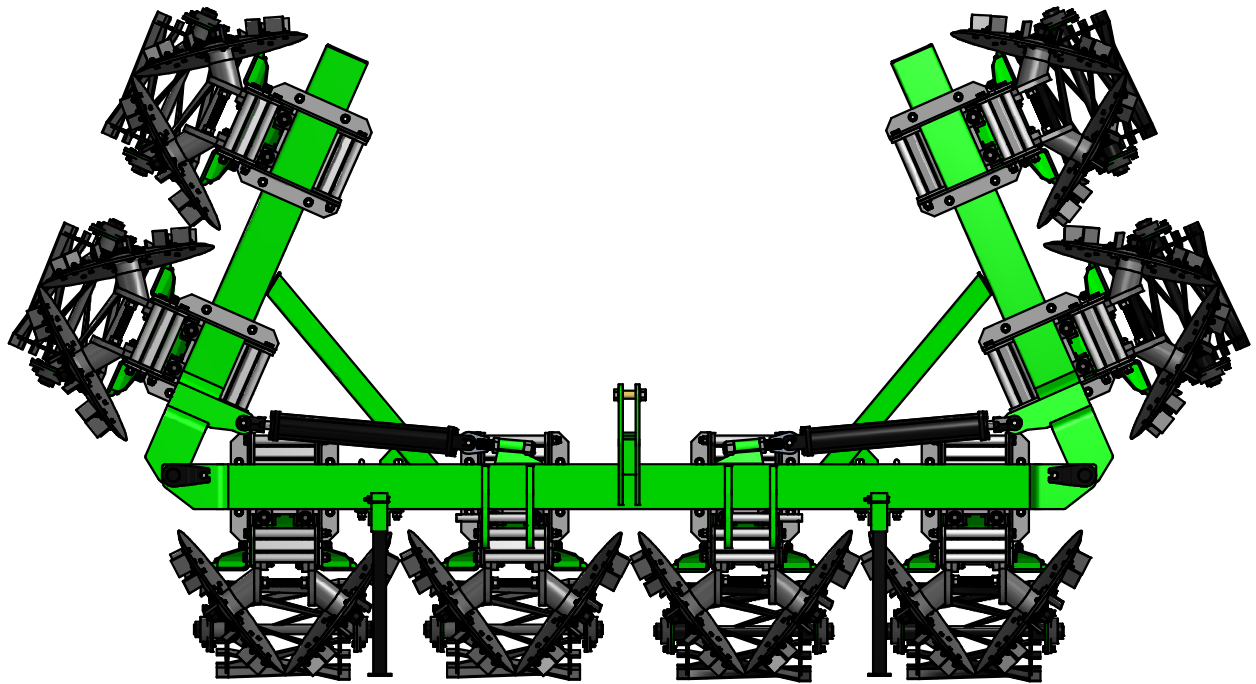
TABLE				TABLE			
ITEM	PART#	DESCRIPTION	QTY	ITEM	PART#	DESCRIPTION	QTY
1		Hyd. Cylinder		5	10919	Link pin	2
2	11097	Hinge Pin	2	6	90445	1-3/8" Nylock Nut	2
3	90123	5/8" Lock Washer	2	7	90446	1-3/8" Jam Nut	2
4	90153	1-1/2"x 5/8" Bolt	2	8	90101	1/4" Grease Zerk	4

# 28836FP



PARTS LIST				PARTS LIST			
ITEM	PART#	DESCRIPTION	QTY	ITEM	PART#	DESCRIPTION	QTY
1	11071	Toolbar 8 row 36 Folding	1	7	90112	1" Washer	2
2	11080L	2 row 36 Wing	1	8	90113	Cat 2 and 3 Pin	2
3	11080R	2 row 36 Wing	1	9	90115	Lynch Pin 7/16" x 1-1/2"	2
4	90109	Top Link Bushing	1	10	10384	Implement Stand Assembly	2
5	90110	1 x 4-3/8" Bolt	1	11	11501	Left Hand Row Unit	4
6	90111	1in Deformed Nut	1	12	11502	Right Hand Row Unit	4

# 28836FP

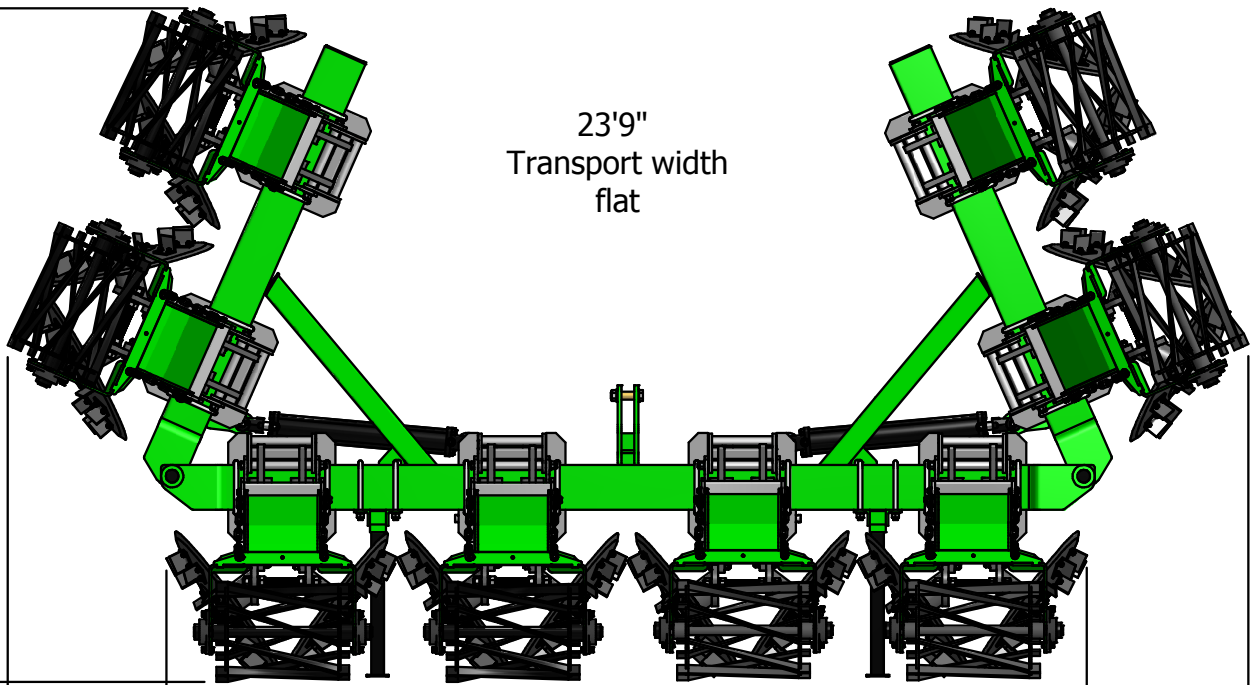


8'-9 1/16"  
Transport Height

23'9"  
Transport width  
flat

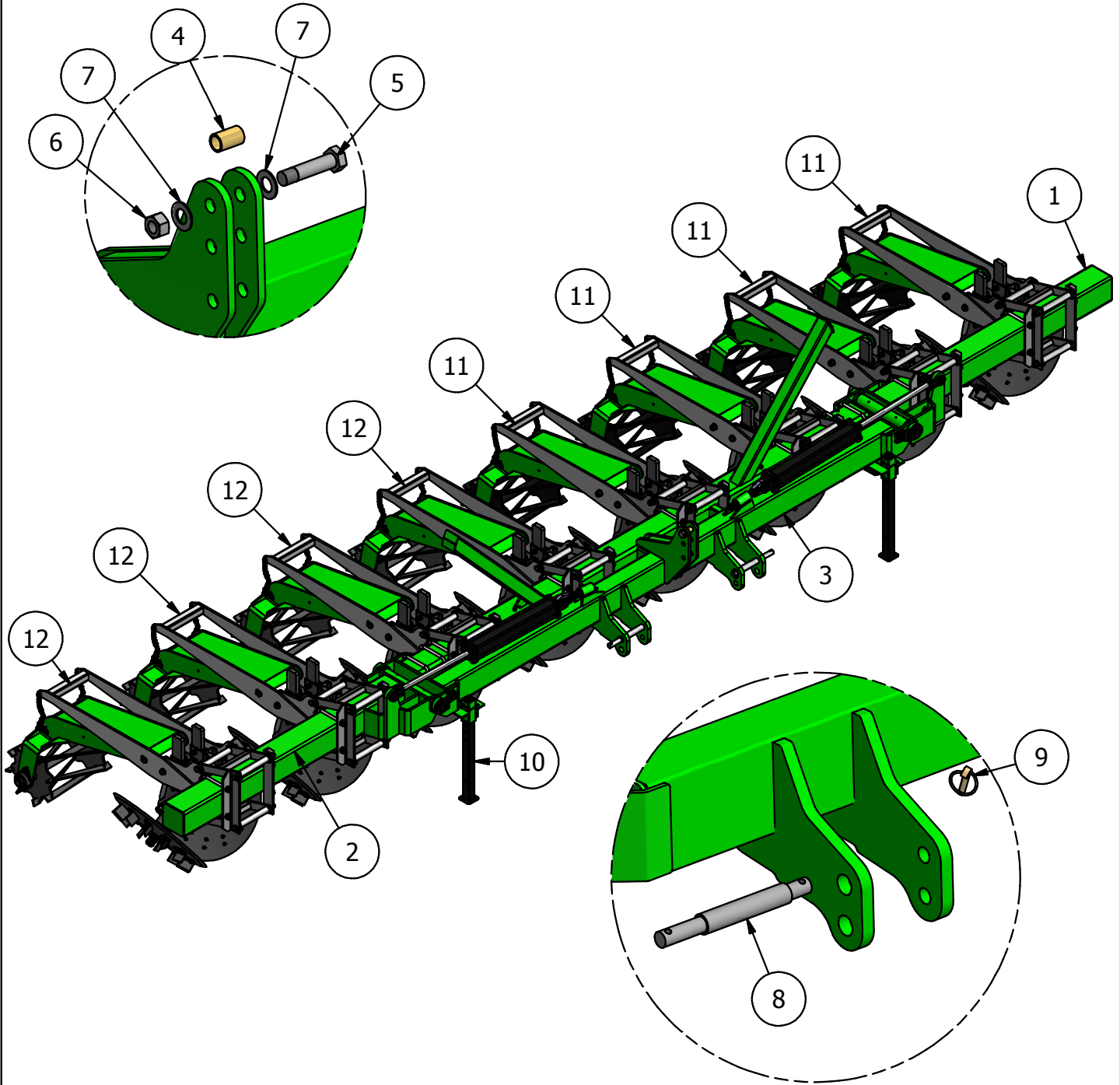
11'-11 7/8"  
Base Width

16'-1 15/16"  
Transport Width



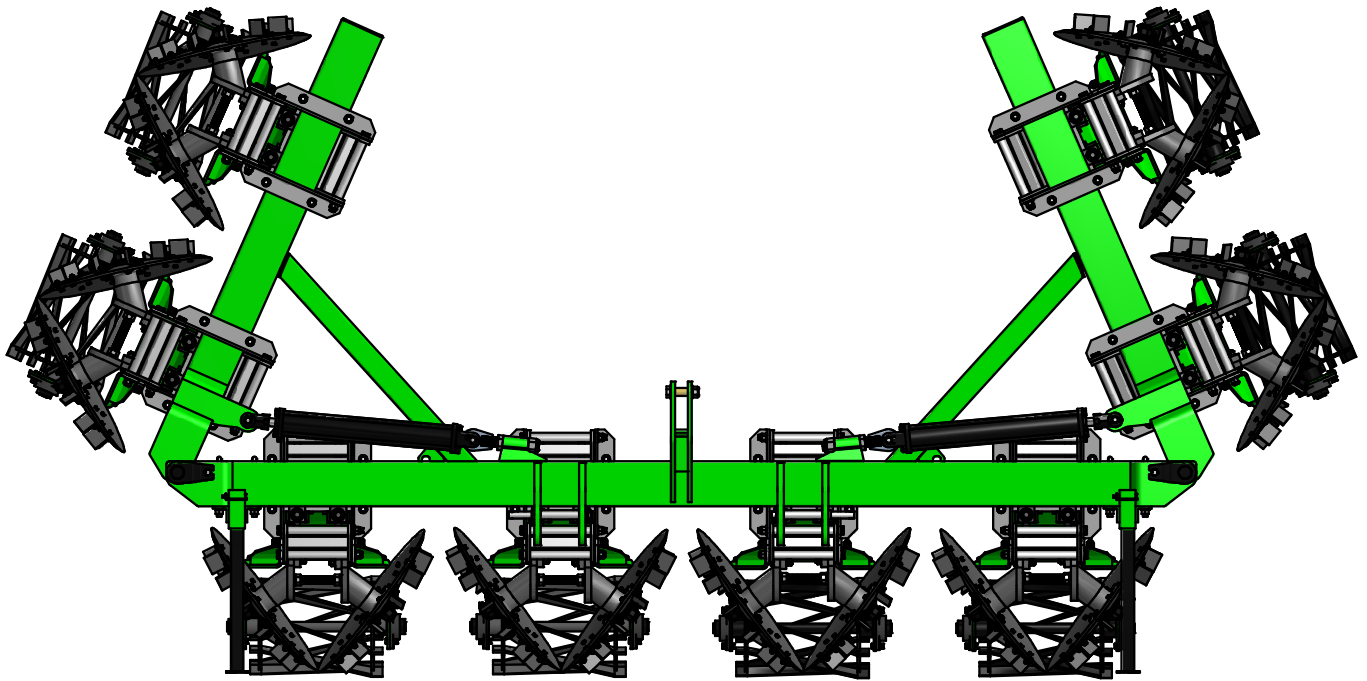


# 28838FP



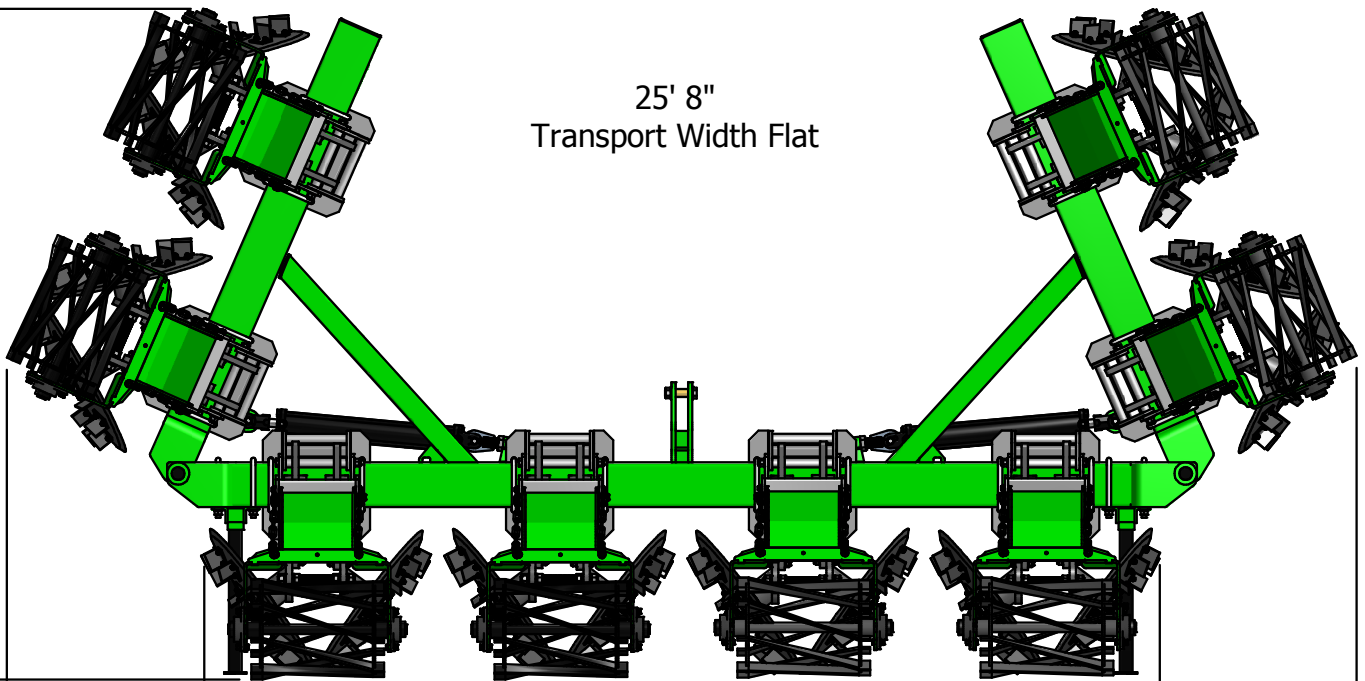
PARTS LIST				PARTS LIST			
ITEM	PART#	DESCRIPTION	QTY	ITEM	PART#	DESCRIPTION	QTY
1	10843L	2 row 38 L Wing	1	7	90112	1" Washer	2
2	10843R	2 row 38 R Wing	1	8	90113	Cat 2 and 3 Pin	2
3	10845	Toolbar 8 row 38 folding	1	9	90115	Lynch Pin 7/16" x 1-1/2"	2
4	90109	Top Link Bushing	1	10	10384	Implement Stand Assembly	2
5	90110	1 x 4-3/8" Bolt	1	11	11501	Left Hand Row Unit	4
6	90111	1in Deformed Nut	1	12	11502	Right Hand Row Unit	4

# 28838FP



8'-8 5/8"  
Transport Height

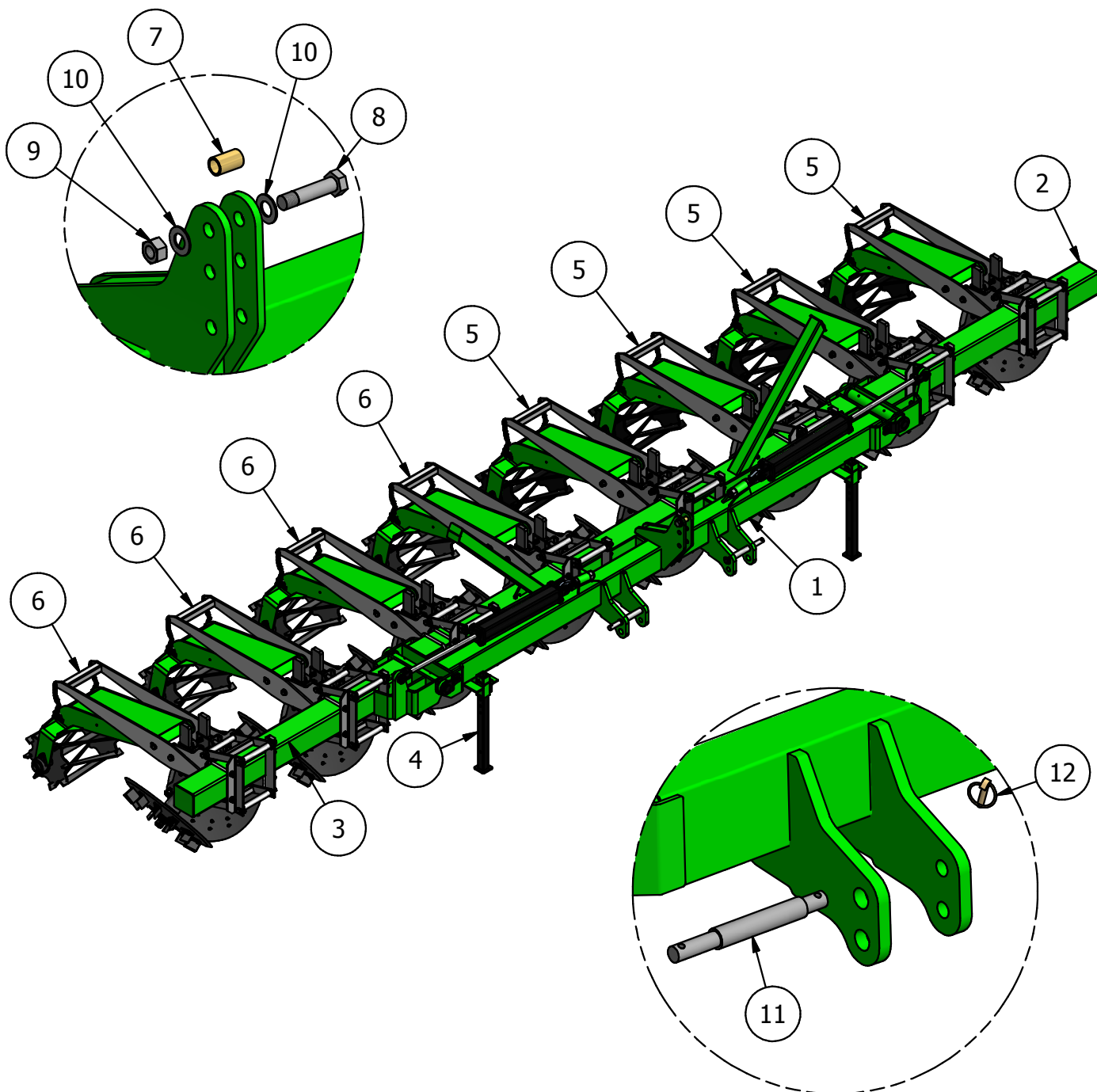
25' 8"  
Transport Width Flat



12'-5 3/8"  
Base Width

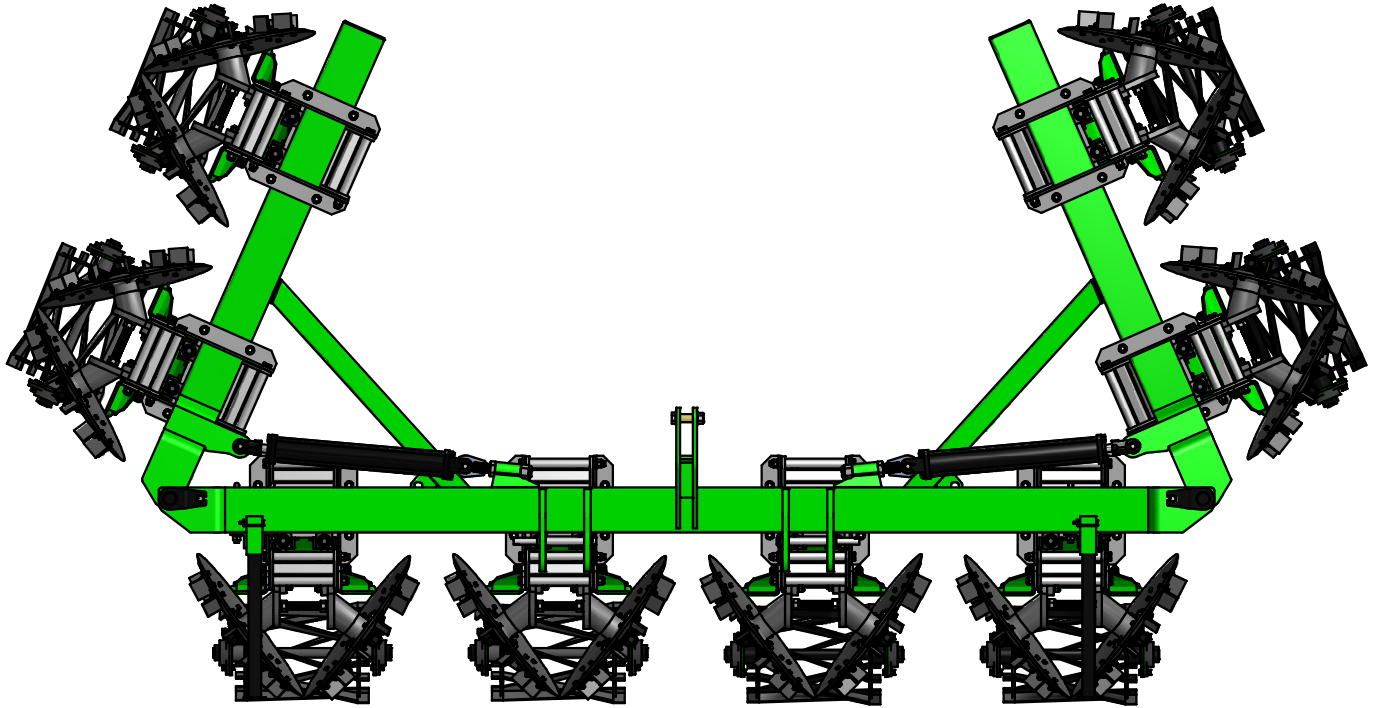
17'-7"  
Transport Width Folded

# 28840FP



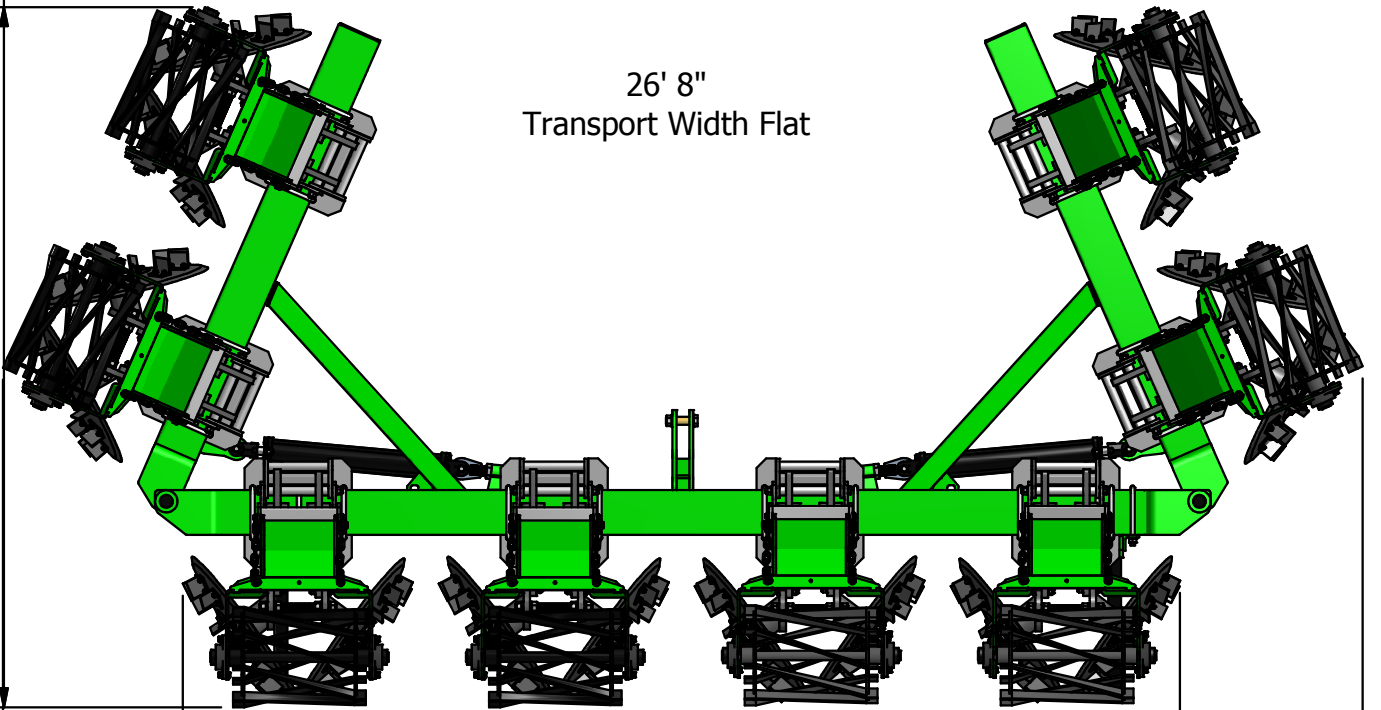
PARTS LIST				PARTS LIST			
ITEM	PART#	DESCRIPTION	QTY	ITEM	PART#	DESCRIPTION	QTY
1	11073	Toolbar 8 row 40 Folding	1	7	90109	Top Link Bushing	1
2	11082L	2 row 40 Wing	1	8	90110	1 x 4-3/8" Bolt	1
3	11082R	2 row 40 Wing	1	9	90111	1in Deformed Nut	1
4	10384	Implement Stand Assembly	2	10	90112	1" Washer	2
5	11501	Left Hand Row Unit	4	11	90113	Cat 2 and 3 Pin	2
6	11502	Right Hand Row Unit	4	12	90115	Lynch Pin 7/16" x 1-1/2"	2

# 28840FP



9'-1 3/16"  
Transport Height

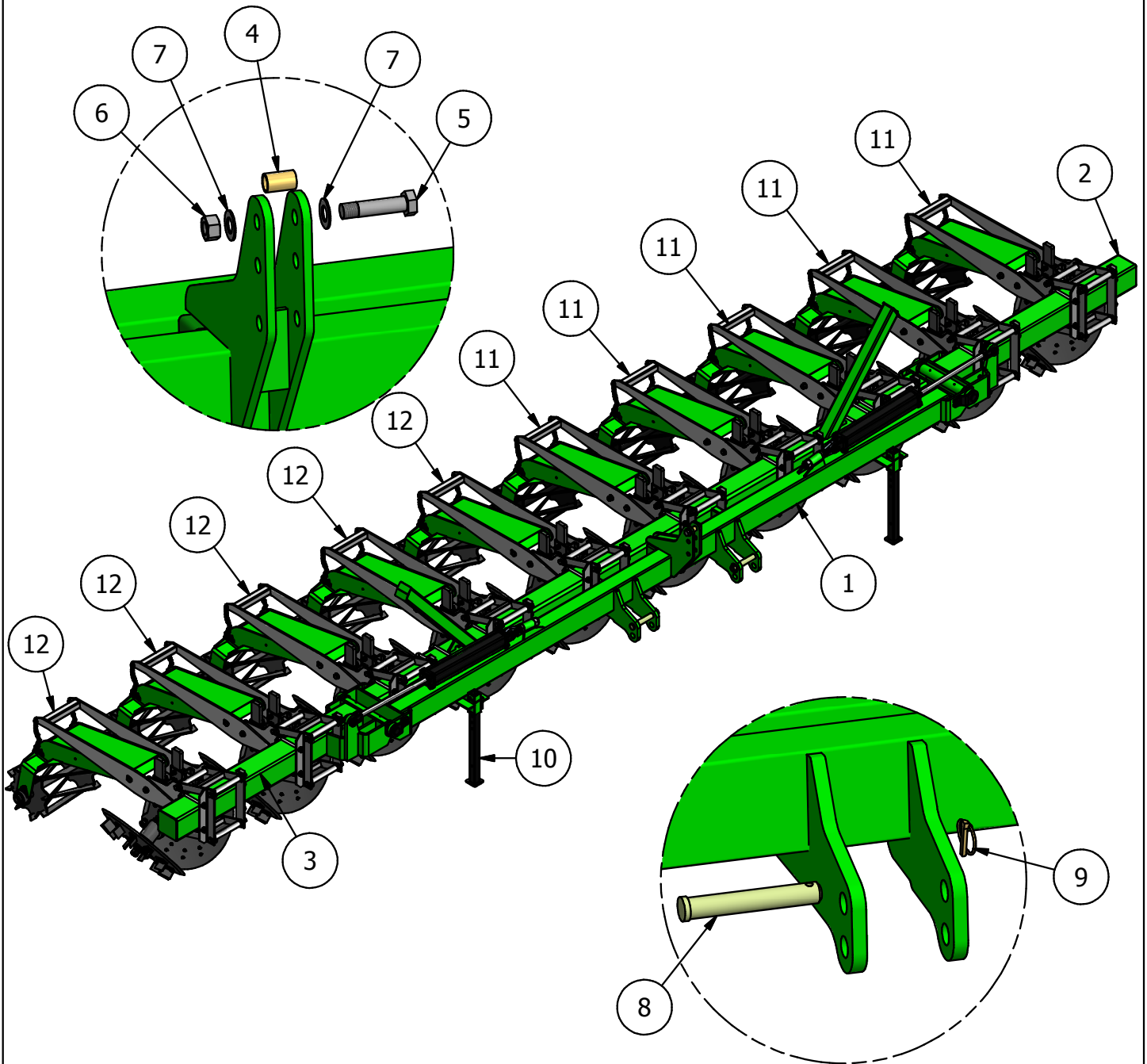
26' 8"  
Transport Width Flat



12'-11 7/8"  
Transport Base Width

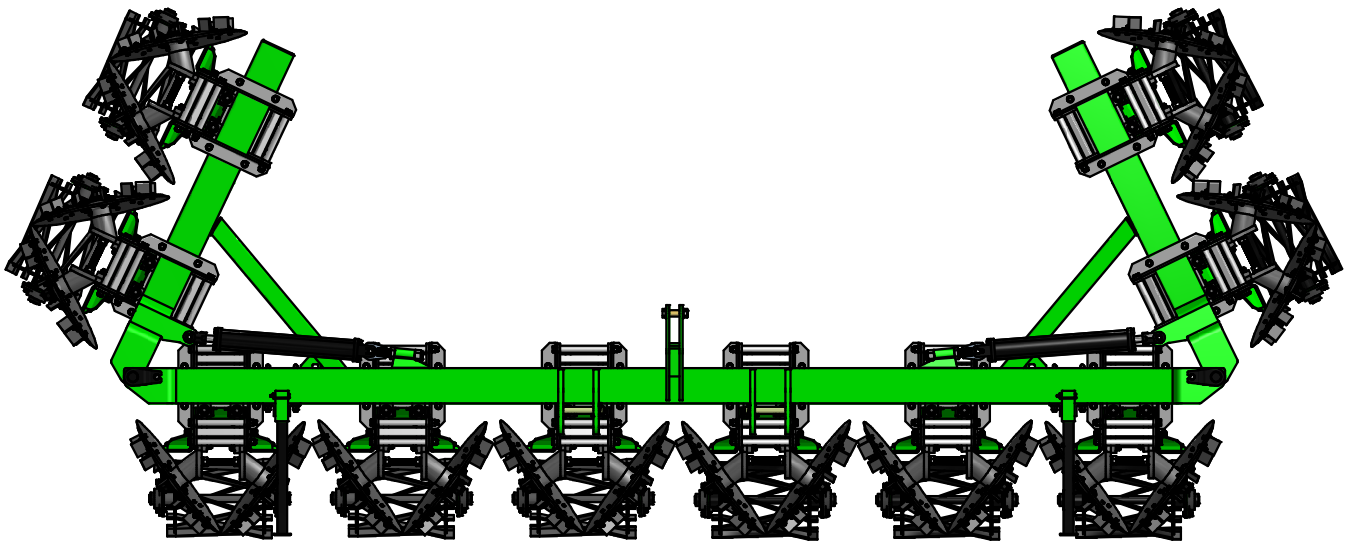
17'-8 9/16"  
Transport Width Folded

# 281036FP



PARTS LIST				PARTS LIST			
ITEM	PART#	DESCRIPTION	QTY	ITEM	PART#	DESCRIPTION	QTY
1	11072	Toolbar 10, 12 row 36 Folding	1	7	90112	1" Washer	2
2	11080L	2 row 36 Wing	1	8	90114	Cat 3 pin	2
3	11080R	2 row 36 Wing	1	9	90116	Lynch Pin 7/16" x 1-3/4"	2
4	90109	Top Link Bushing	1	10	10384	Implement Stand Assembly	2
5	90110	1 x 4-3/8" Bolt	1	11	11501	Left Hand Row Unit	5
6	90111	1in Deformed Nut	1	12	11502	Right Hand Row Unit	5

# 281036FP



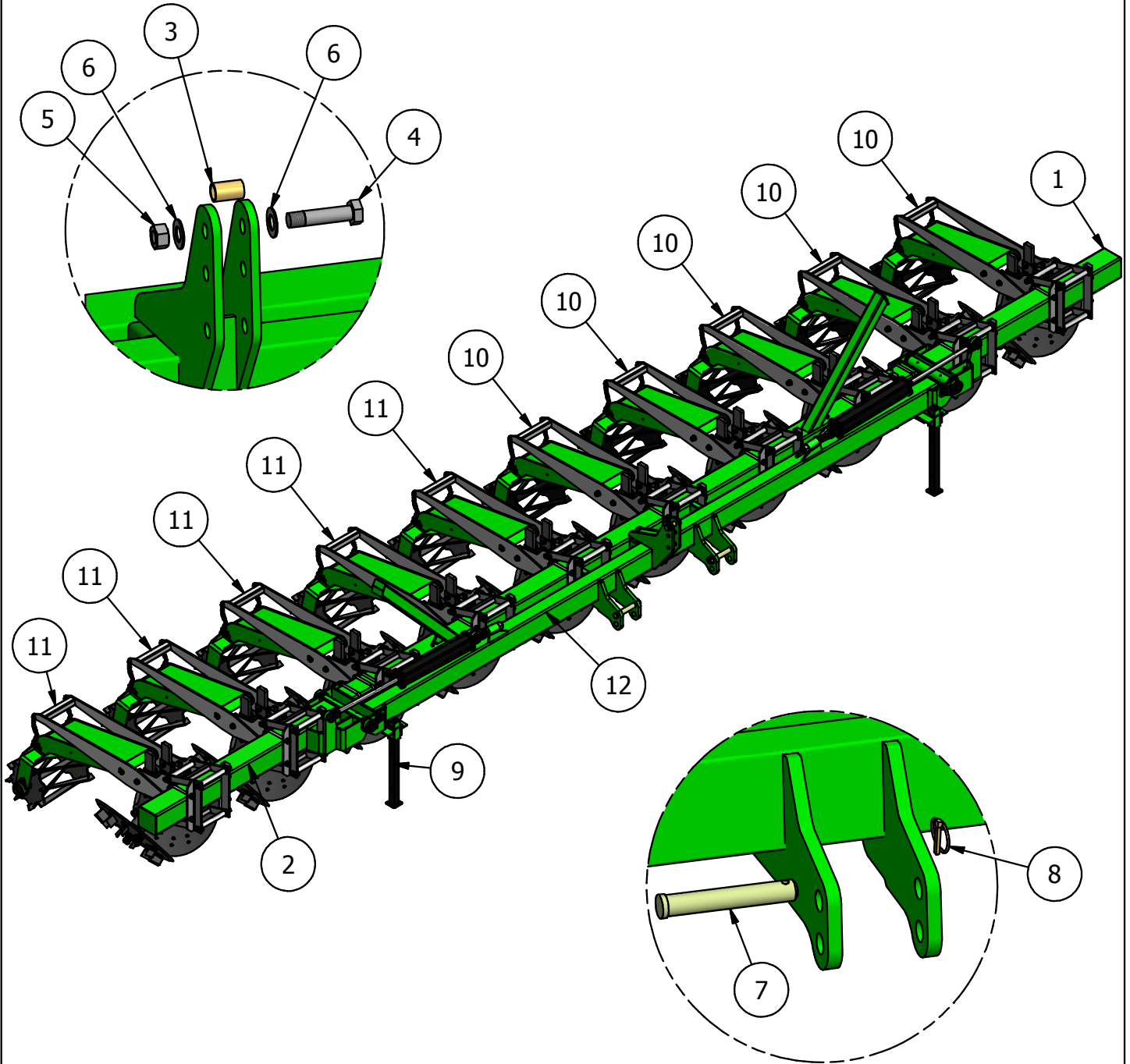
8'-8 7/8"  
Transport Height

29' 9"  
Transport Width Flat

17'-11 7/8"  
Base Width

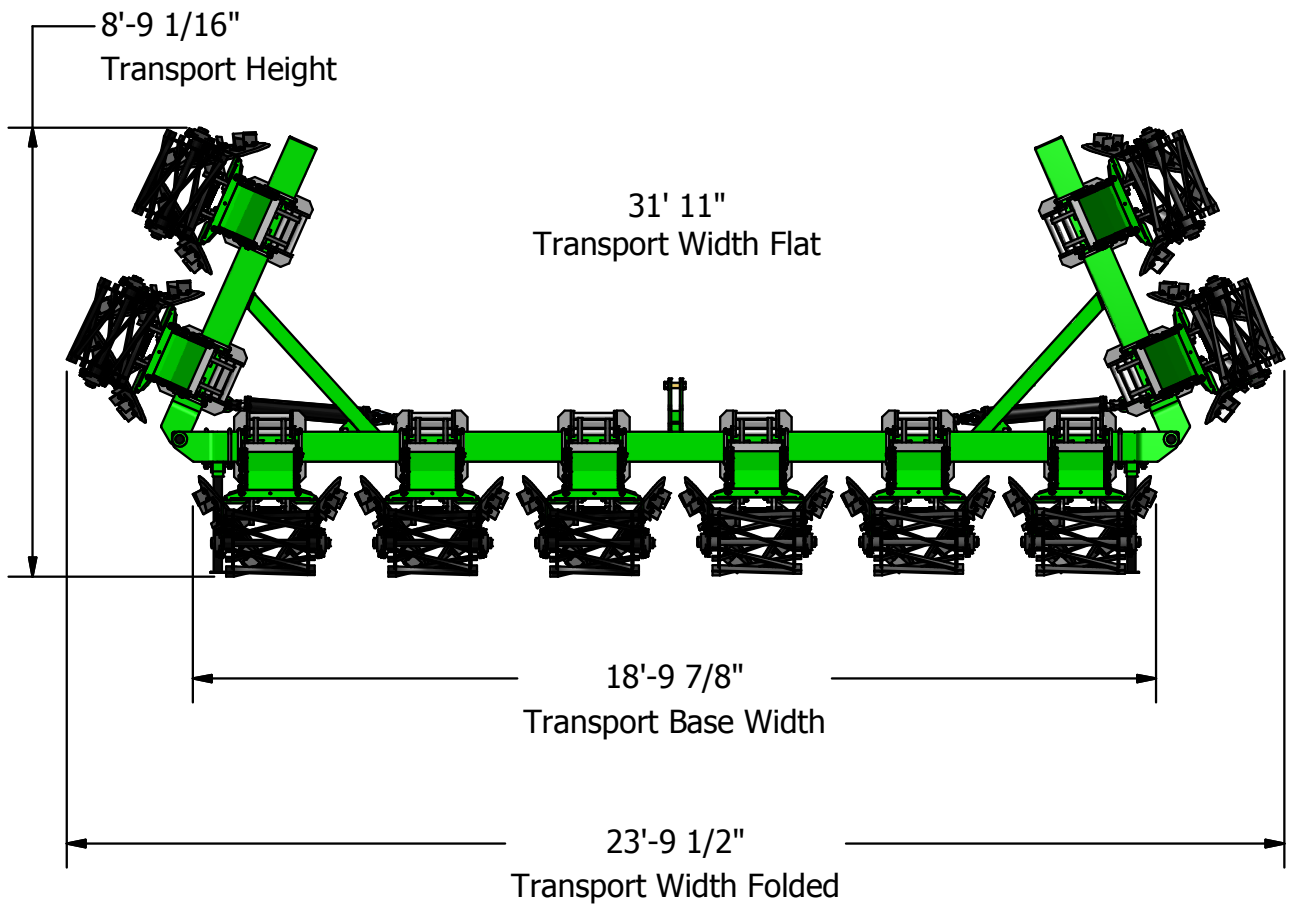
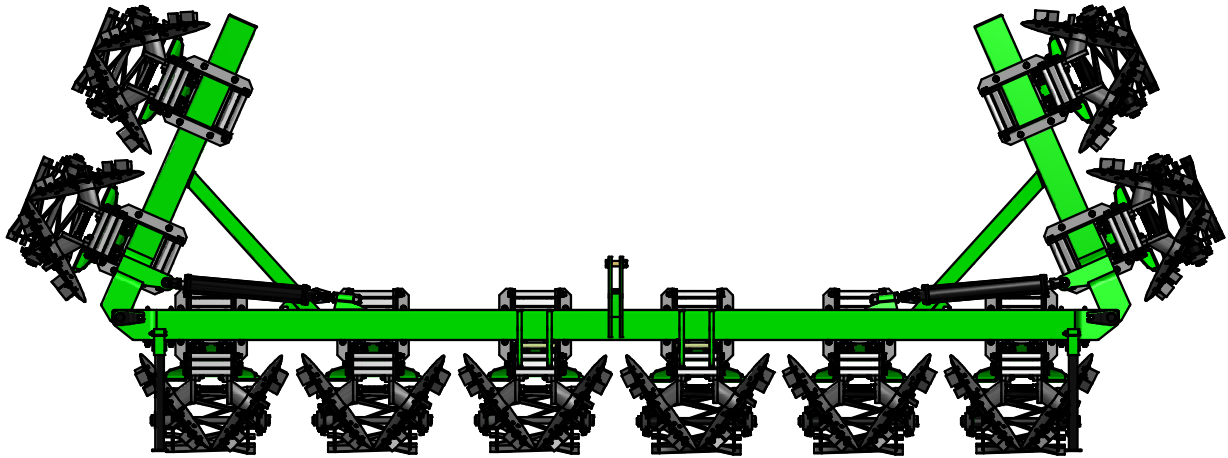
22'- 9/16"  
Transport Width Folded

# 281038FP



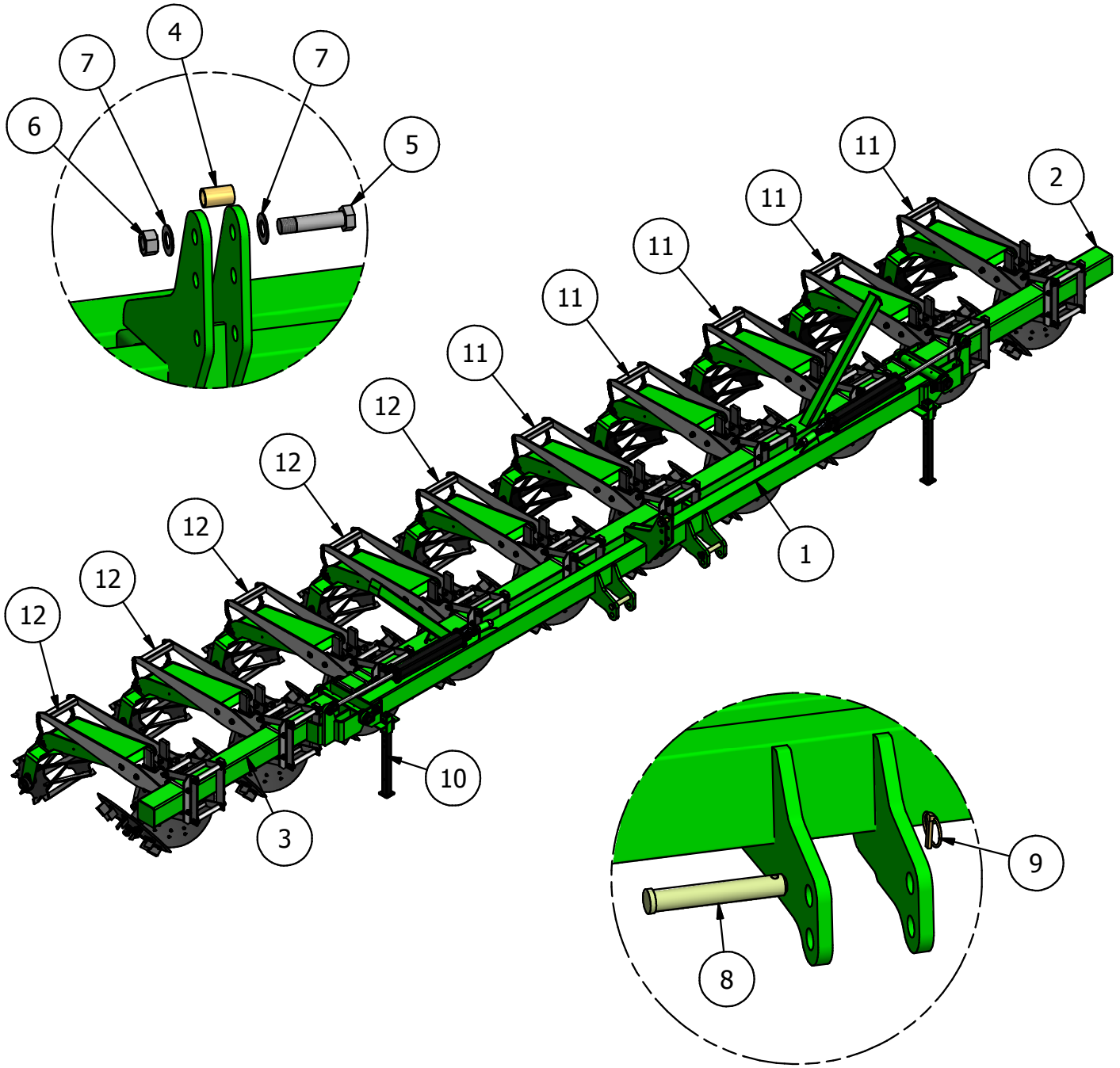
PARTS LIST				PARTS LIST			
ITEM	PART#	DESCRIPTION	QTY	ITEM	PART#	DESCRIPTION	QTY
1	10843L	2 row 38 L Wing	1	7	90114	Cat 3 pin	2
2	10843R	2 row 38 R Wing	1	8	90116	Lynch Pin 7/16" x 1-3/4"	2
3	90109	Top Link Bushing	1	9	10384	Implement Stand Assembly	2
4	90110	1 x 4-3/8" Bolt	1	10	11501	Left Hand Row Unit	5
5	90111	1in Deformed Nut	1	11	11502	Right Hand Row Unit	5
6	90112	1" Washer	2	12	10844	Toolbar 10,12 row 38	1

# 281038FP



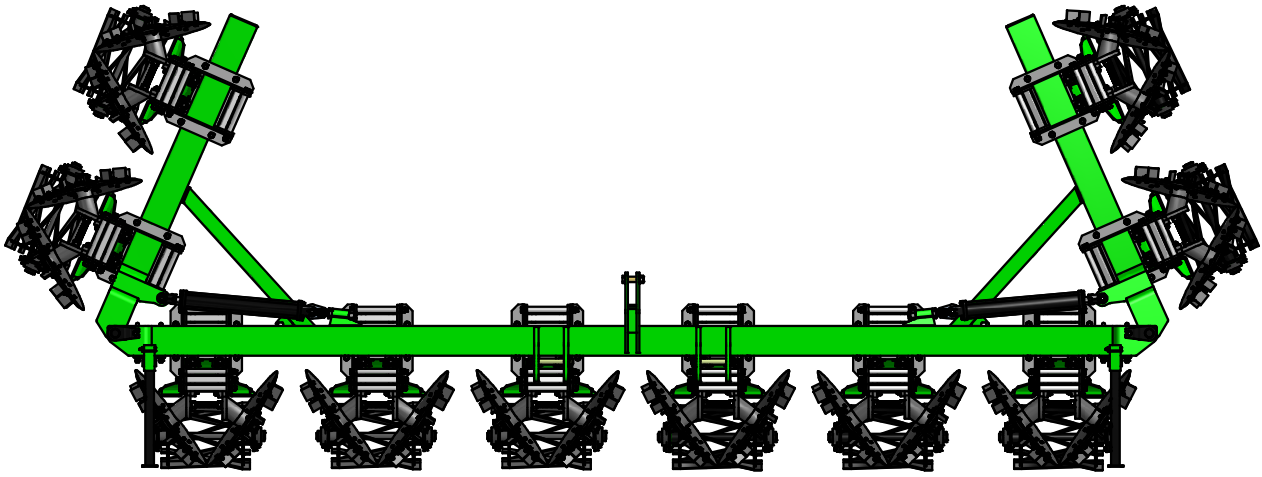


# 281040FP



PARTS LIST				PARTS LIST			
ITEM	PART#	DESCRIPTION	QTY	ITEM	PART#	DESCRIPTION	QTY
1	11074	Toolbar 10, 12 row 40 Folding	1	7	90112	1" Washer	2
2	11082L	2 row 40 Wing	1	8	90114	Cat 3 pin	2
3	11082R	2 row 40 Wing	1	9	90116	Lynch Pin 7/16" x 1-3/4"	2
4	90109	Top Link Bushing	1	10	10384	Implement Stand Assembly	2
5	90110	1 x 4-3/8" Bolt	1	11	11501	Left Hand Row Unit	5
6	90111	1in Deformed Nut	1	12	11502	Right Hand Row Unit	5

# 281040FP

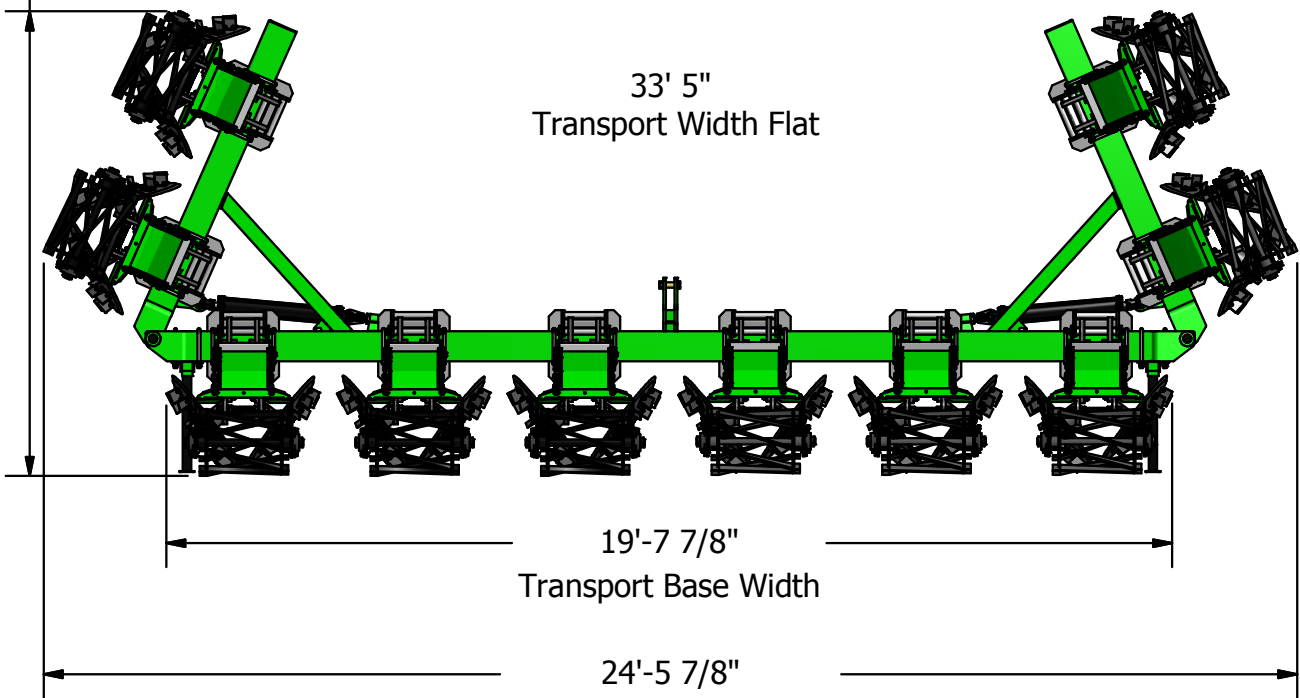


9'- 3/4"  
Transport Height

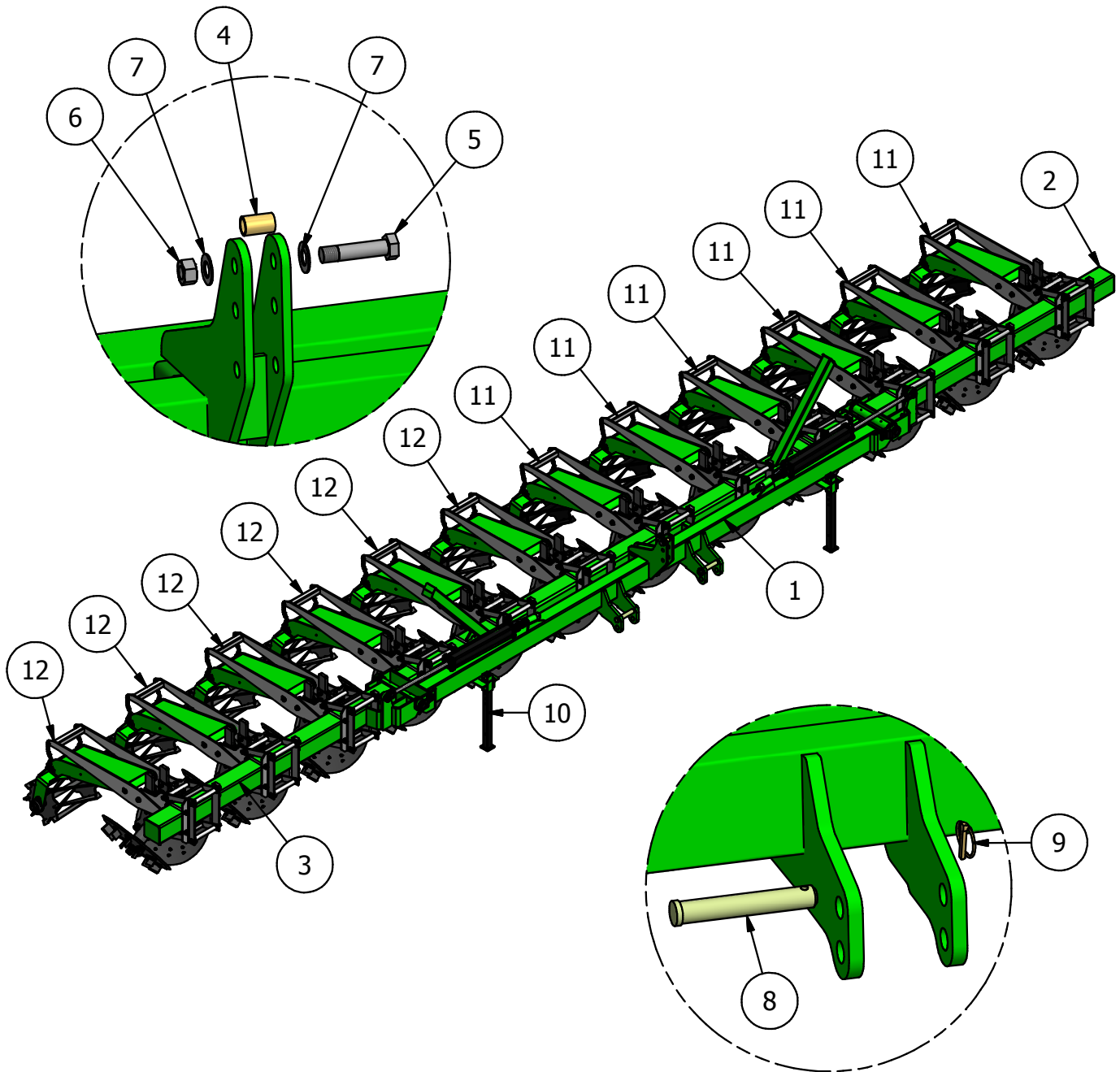
33' 5"  
Transport Width Flat

19'-7 7/8"  
Transport Base Width

24'-5 7/8"  
Transport Width Folded

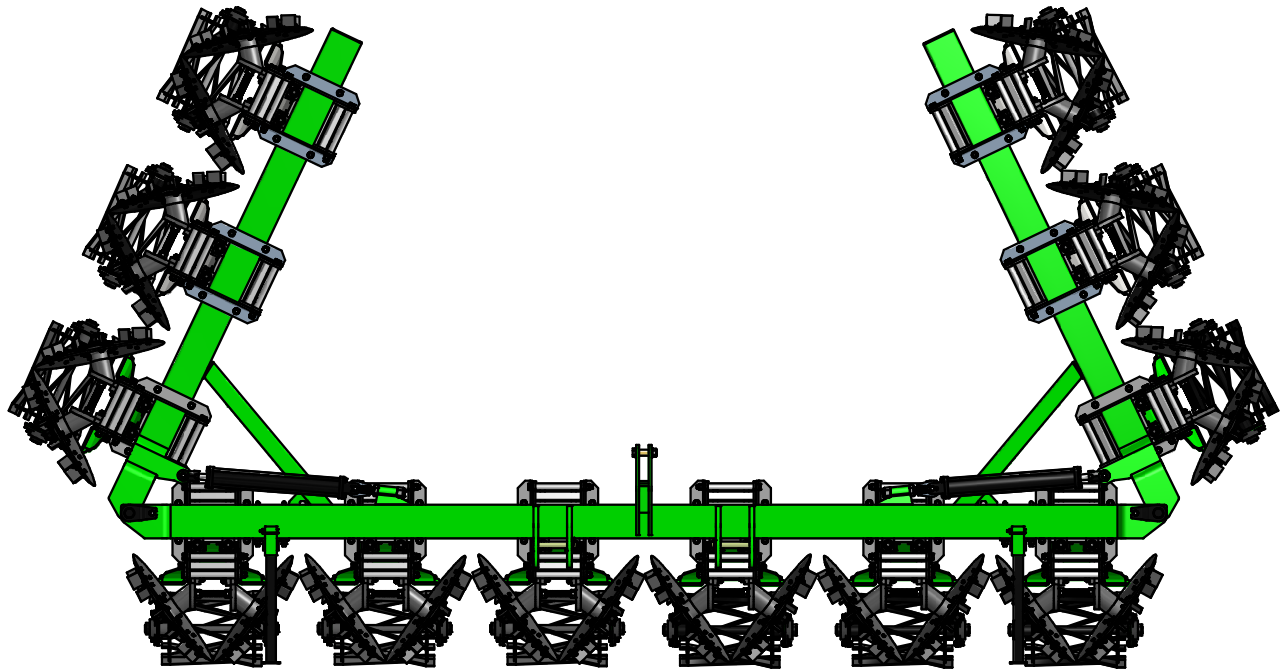


# 281236FP



PARTS LIST				PARTS LIST			
ITEM	PART#	DESCRIPTION	QTY	ITEM	PART#	DESCRIPTION	QTY
1	11072	Toolbar 10, 12 row 36 Folding	1	7	90112	1" Washer	2
2	11081L	3 row 36 Wing	1	8	90114	Cat 3 pin	2
3	11081R	3 row 36 Wing	1	9	90116	Lynch Pin 7/16" x 1-3/4"	2
4	90109	Top Link Bushing	1	10	10384	Implement Stand Assembly	2
5	90110	1 x 4-3/8" Bolt	1	11	11501	Left Hand Row Unit	6
6	90111	1in Deformed Nut	1	12	11502	Right Hand Row Unit	6

# 281236FP



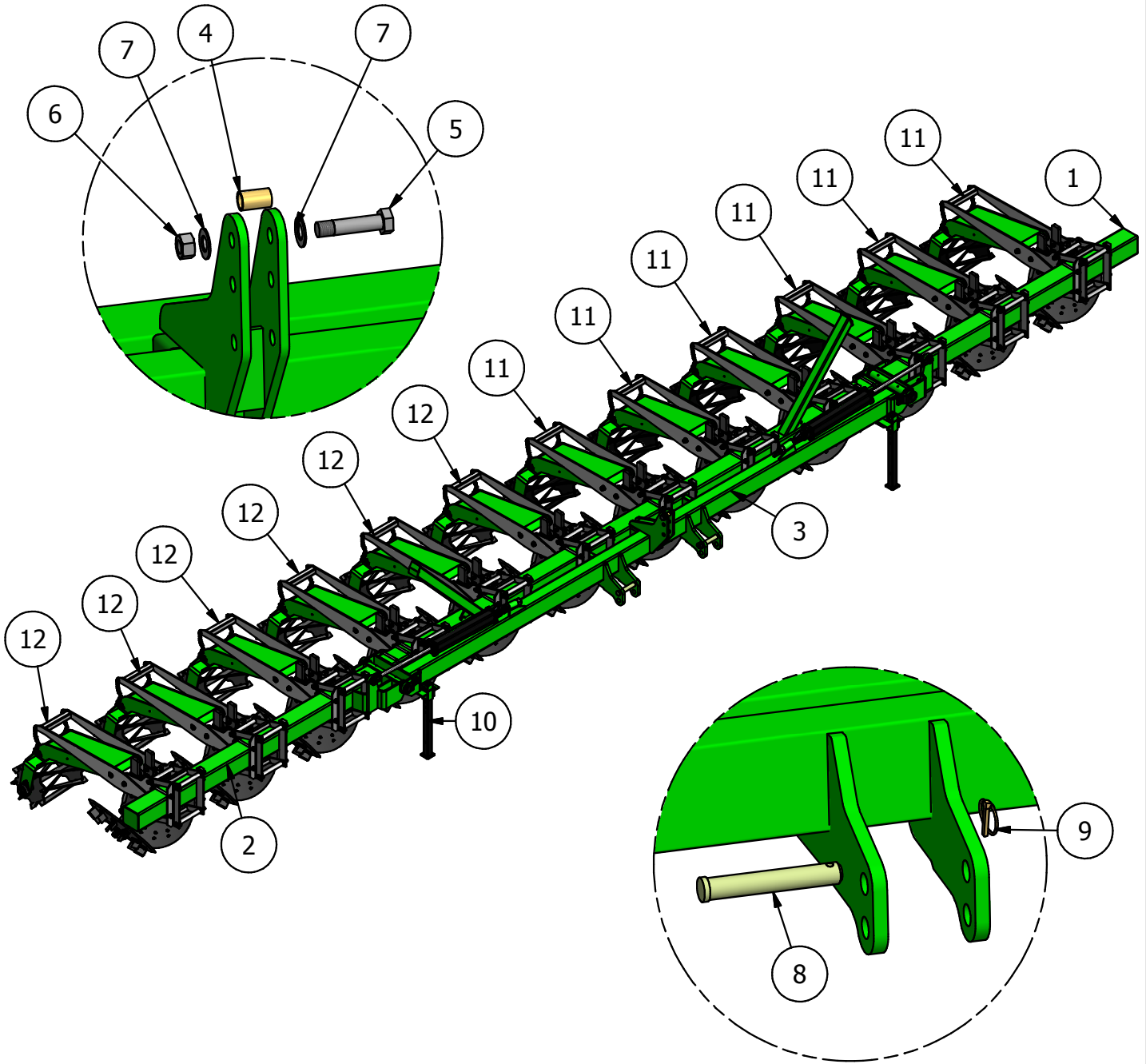
11'-5 1/4"  
Transport Height Folded

36'  
Transport Width Flat

17'-11 7/8"  
Base Width

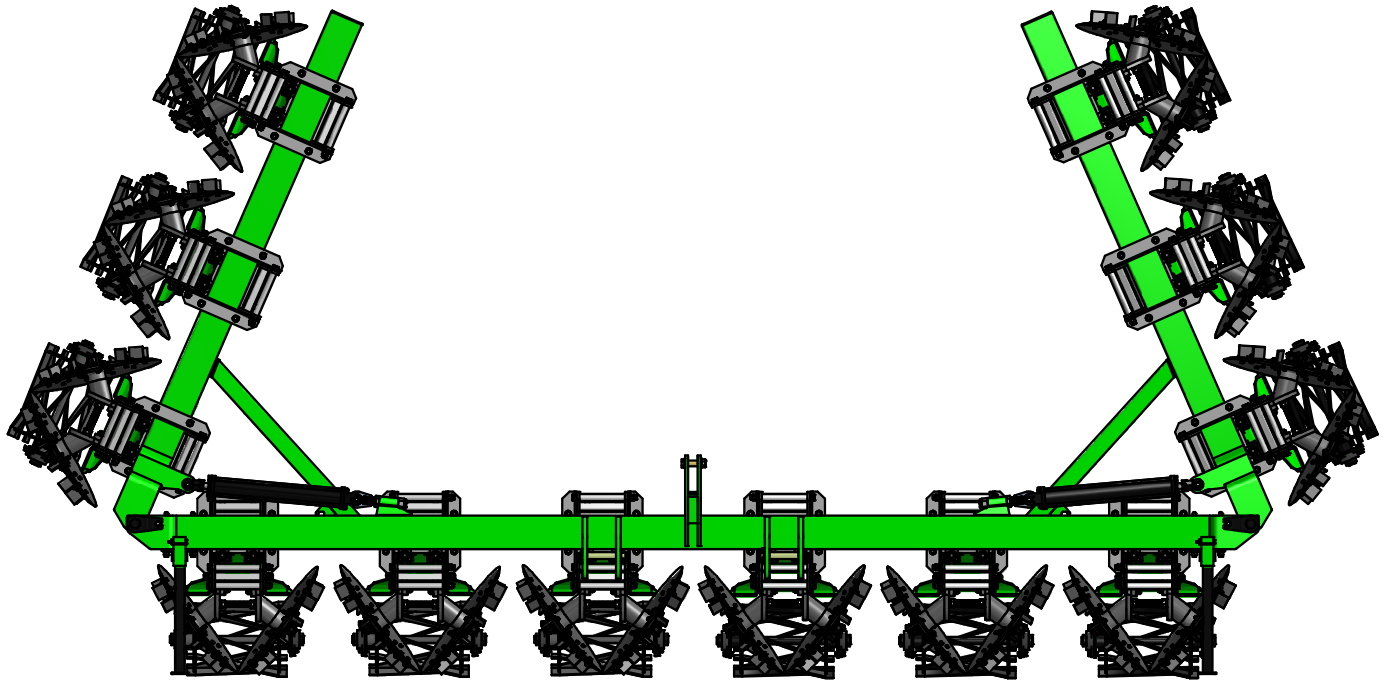
22'- 9/16"  
Transport Width Folded

# 281238FP

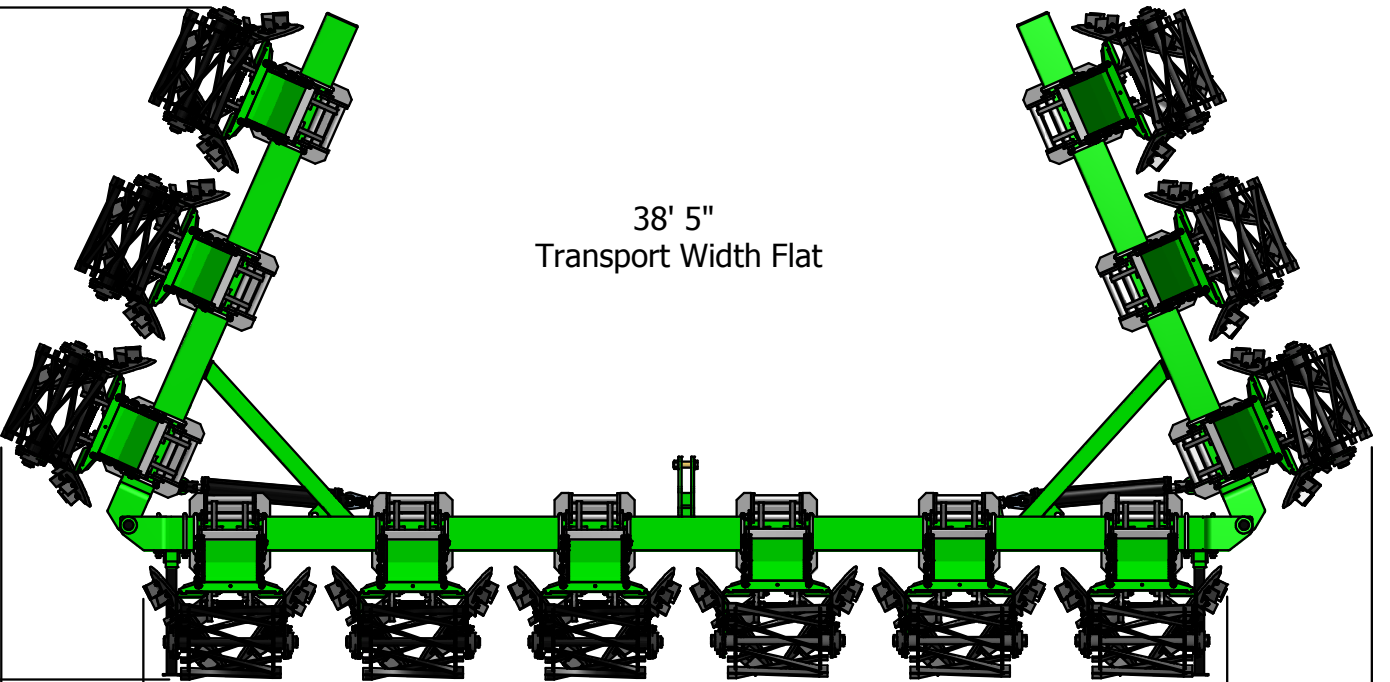


PARTS LIST				PARTS LIST			
ITEM	PART#	DESCRIPTION	QTY	ITEM	PART#	DESCRIPTION	QTY
1	10842L	3 row 38 Wing	1	7	90112	1" Washer	2
2	10842R	3 row 38 Wing	1	8	90114	Cat 3 pin	2
3	10844	Toolbar 10,12 row 38	1	9	90116	Lynch Pin 7/16" x 1-3/4"	2
4	90109	Top Link Bushing	1	10	10384	Implement Stand Assembly	2
5	90110	1 x 4-3/8" Bolt	1	11	11501	Left Hand Row Unit	6
6	90111	1in Deformed Nut	1	12	11502	Right Hand Row Unit	6

# 281238FP



11'-7 13/16"  
Transport Height Folded

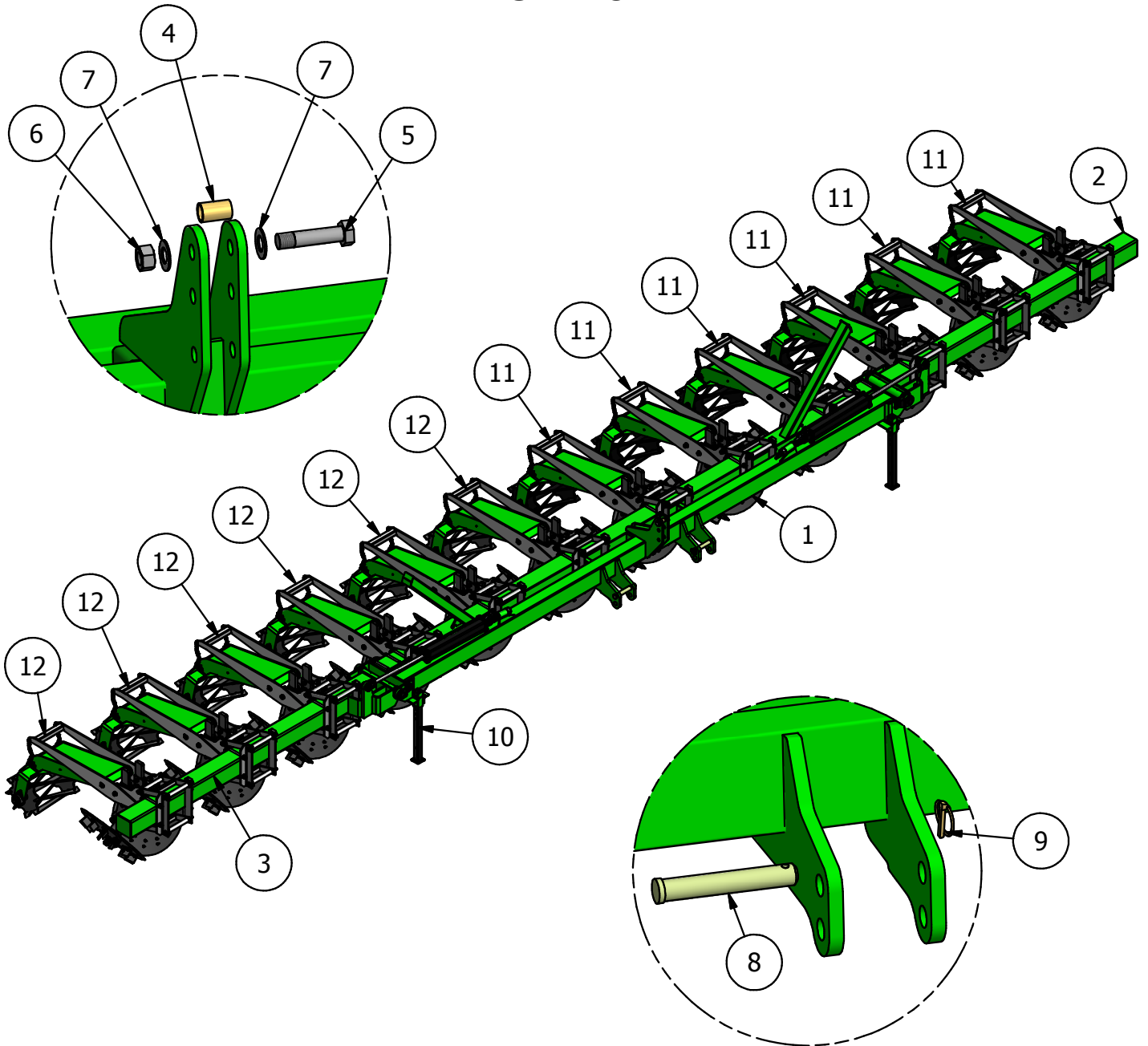


38' 5"  
Transport Width Flat

18'-9 7/8"  
Base Width

23'-9 5/8"  
Transport Width Folded

# 281240FP



PARTS LIST				PARTS LIST			
ITEM	PART#	DESCRIPTION	QTY	ITEM	PART#	DESCRIPTION	QTY
1	11074	Toolbar 10, 12 row 40 Folding	1	7	90112	1" Washer	2
2	11083L	3 row 40 wing LH	1	8	90114	Cat 3 pin	2
3	11083R	3 row 40 wing RH	1	9	90116	Lynch Pin 7/16" x 1-3/4"	2
4	90109	Top Link Bushing	1	10	10384	Implement Stand Assembly	2
5	90110	1 x 4-3/8" Bolt	1	11	11501	Left Hand Row Unit	6
6	90111	1in Deformed Nut	1	12	11502	Right Hand Row Unit	6

# 281240FP

