

*Quality Built Since 1973*



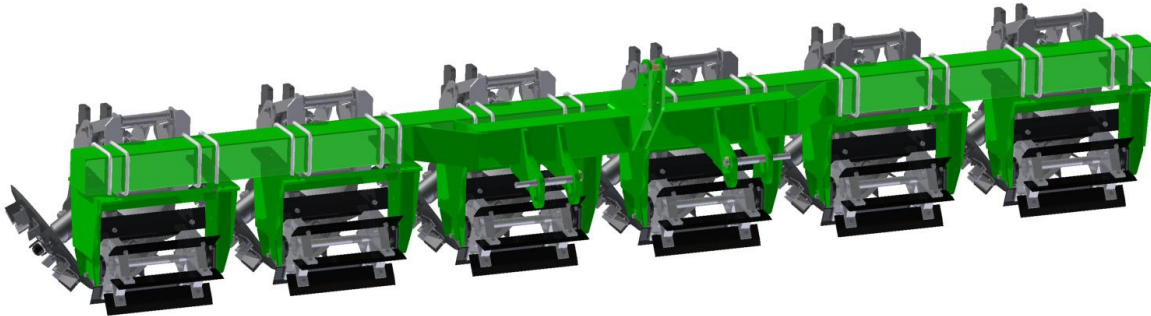
## **SETUP AND PARTS MANUAL**

### **6000 Series**

### **CHOP-N-SLICER**

### **RIGID TOOLBAR**

### **PARALLEL LINKAGE ROW UNITS**



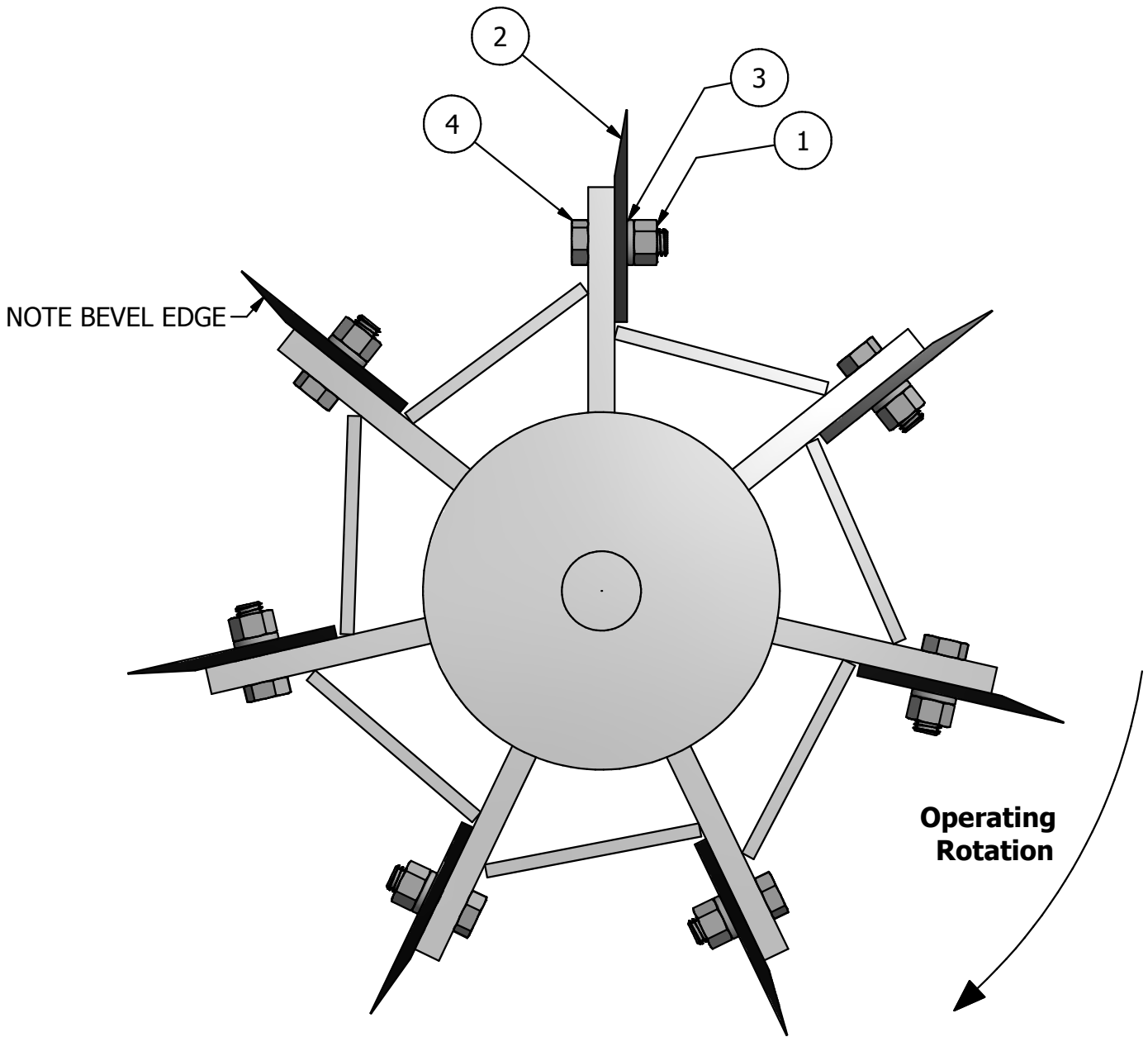
#### **Model No's.**

**60430RP 4 Row 30" Spacing**  
**60436RP 4 Row 36" Spacing**  
**60438RP 4 Row 38" Spacing**  
**60440RP 4 Row 40" Spacing**  
**60630RP 4 Row 30" Spacing**  
**60636RP 6 Row 36" Spacing**  
**60638RP 6 Row 38" Spacing**  
**60640RP 6 Row 40" Spacing**  
**60830RP 8 Row 30" Spacing**  
**60836RP 8 Row 36" Spacing**

#### **Model No's.**

**60838RP 8 Row 38" Spacing**  
**60840RP 8 Row 40" Spacing**  
**61030RP 10 Row 30" Spacing**  
**61036RP 10 Row 36" Spacing**  
**61038RP 10 Row 38" Spacing**  
**61040RP 10 Row 40" Spacing**  
**61230RP 12 Row 30" Spacing**  
**61236RP 12 Row 36" Spacing**  
**61238RP 12 Row 38" Spacing**  
**61240RP 12 Row 40" Spacing**

**10305  
7 BLADE CHOPPER ROW UNIT**

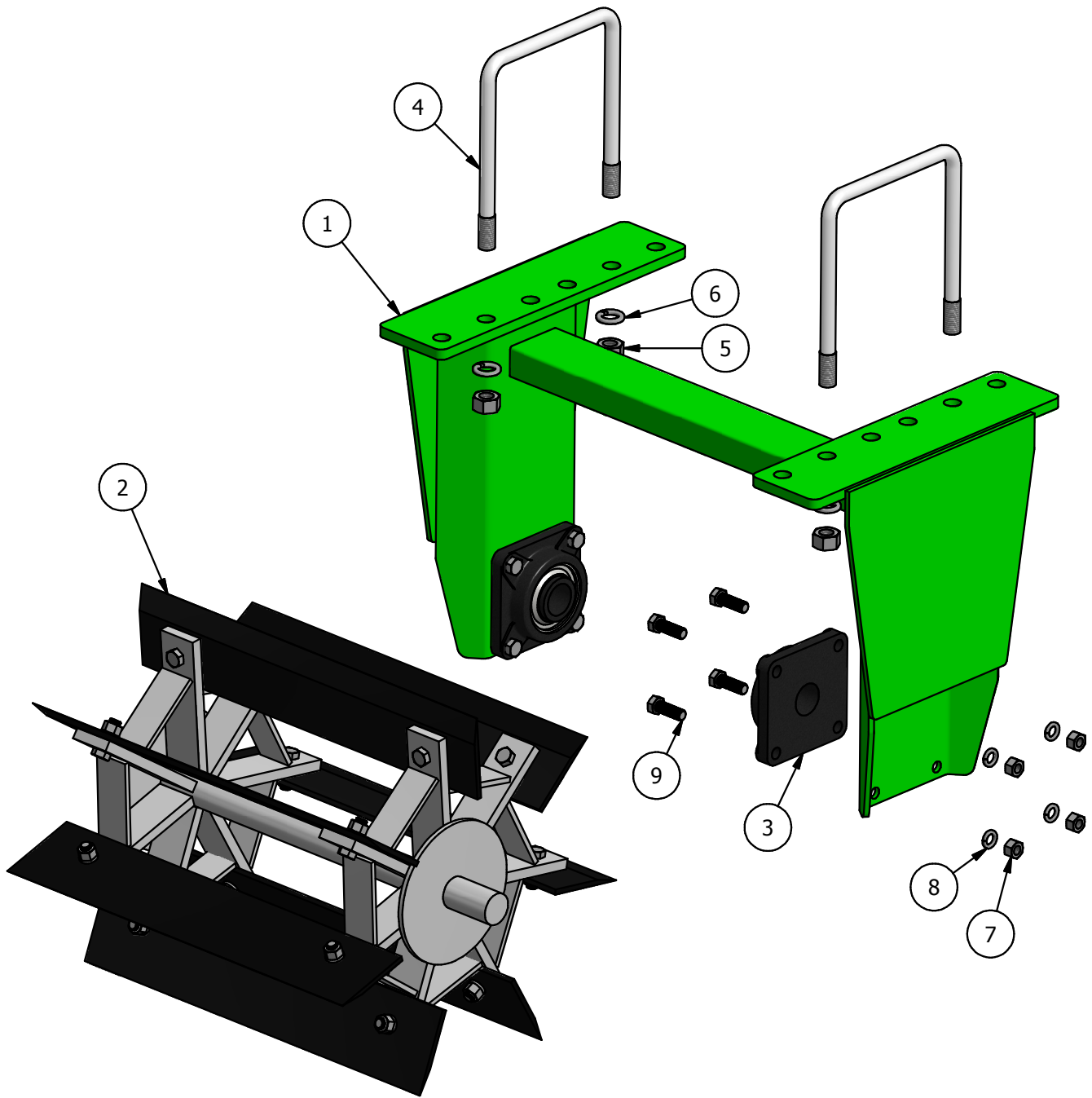


**7 BLADE SPIDER/BLADE ASSEMBLY**

PARTS LIST

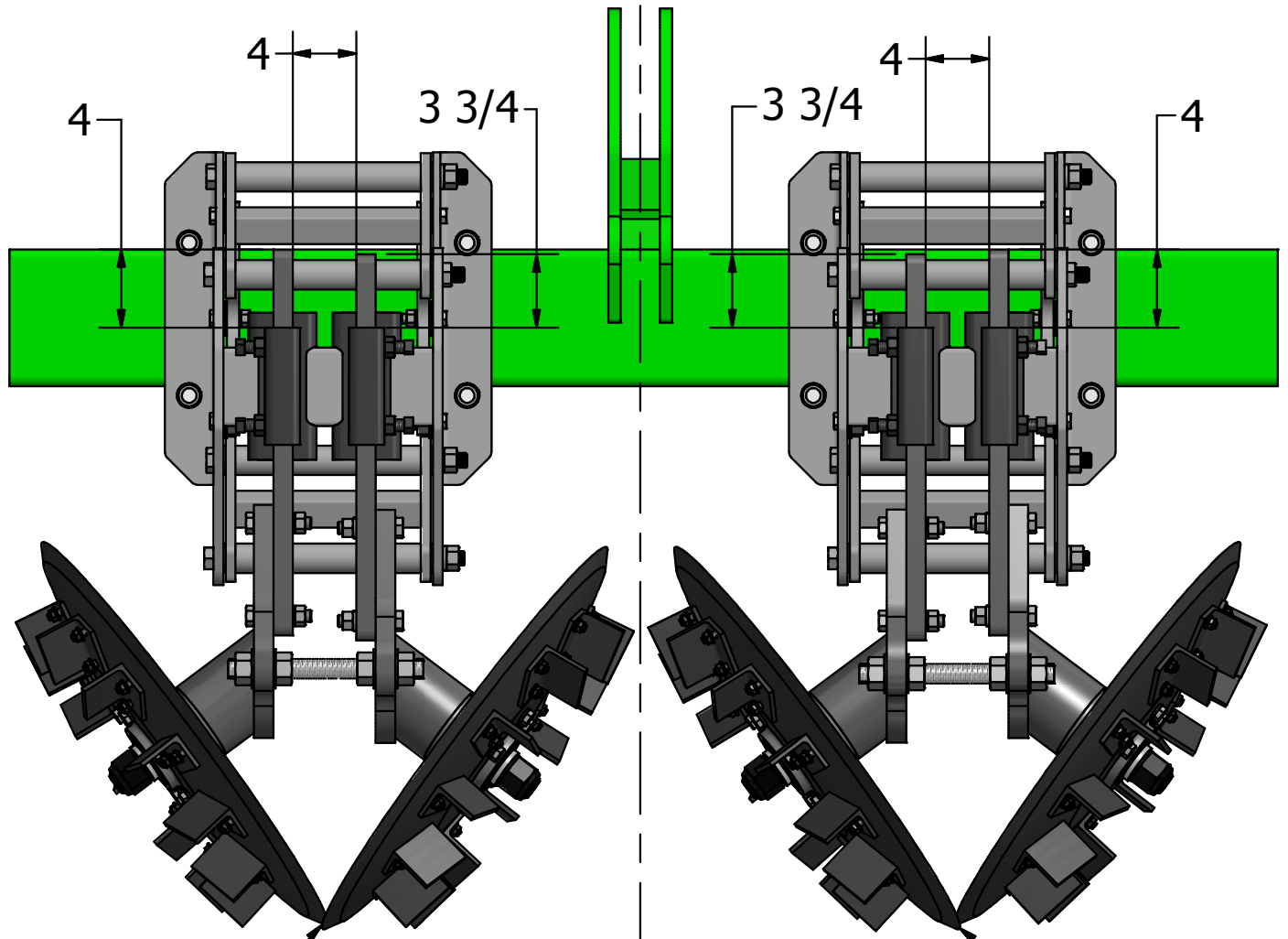
ITEM	PART #	DESCRIPTION	QTY
1	90138	1/2" nut	14
2	10603	Stalk Chopper Blade	7
3	90134	1/2" Lock Washer	14
4	90136	1/2" x 1-1/2" Bolt	14

# 11111 7 BLADE CHOPPER ROW UNIT



PARTS LIST				PARTS LIST			
ITEM	PART #	DESCRIPTION	QTY	ITEM	PART #	DESCRIPTION	QTY
1	10118	Chopper Frame Assy	1	6	90158	3/4" Lock Washer	4
2	10305	Rotor 7 Blade Assy	1	7	90138	1/2" nut	8
3	10520	Bearing and Lock Collar	2	8	90134	1/2" Lock Washer	8
4	90140	U-bolt 3/4" x 7 5/16 x 9	2	9	90136	1/2" x 1-1/2" Bolt	8
5	90160	3/4" nut	4				

# BLADE SETUP - PARALLEL LINKAGE ROW UNITS



Overlap 1/4"

LEFT SIDE  
OF MACHINE

CENTER  
OF  
MACHINE

RIGHT SIDE  
OF MACHINE

Overlap 1/4"

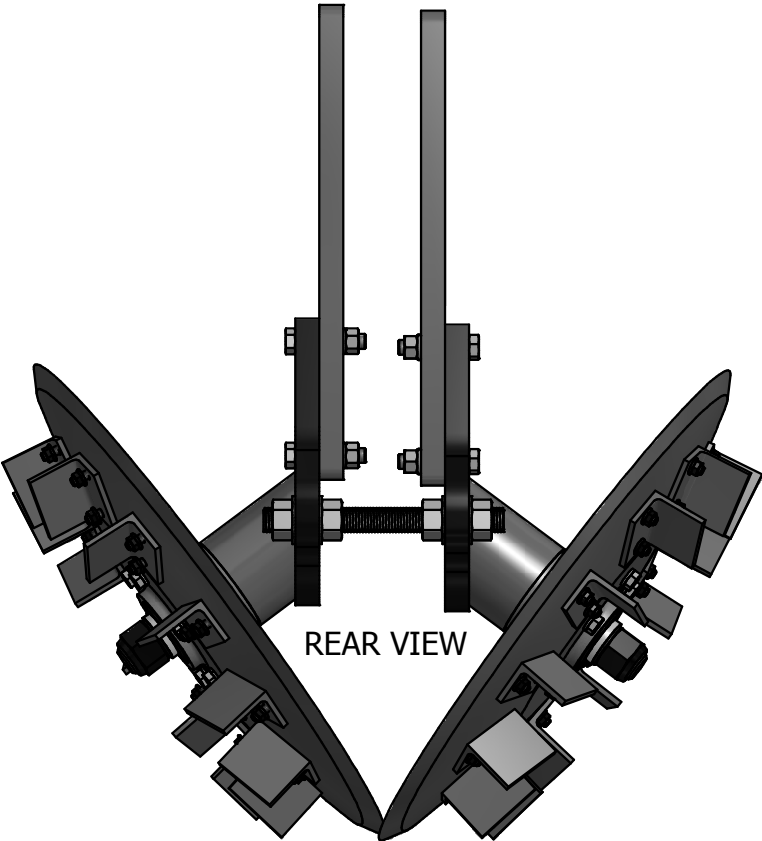
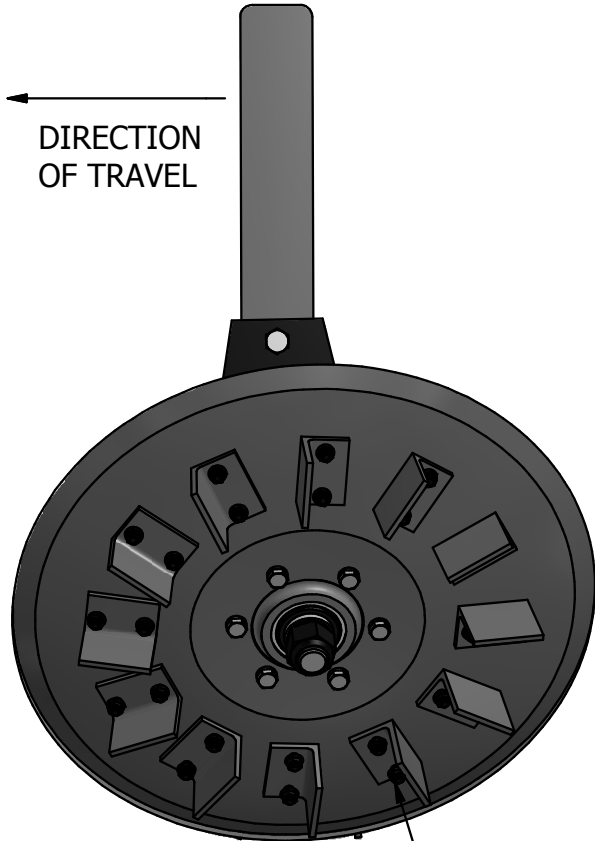
BLADES ON LEFT  
SIDE SHOULD ALL BE  
SET IN THIS MANOR

BLADES ON RIGHT  
SIDE SHOULD ALL BE  
SET IN THIS MANOR

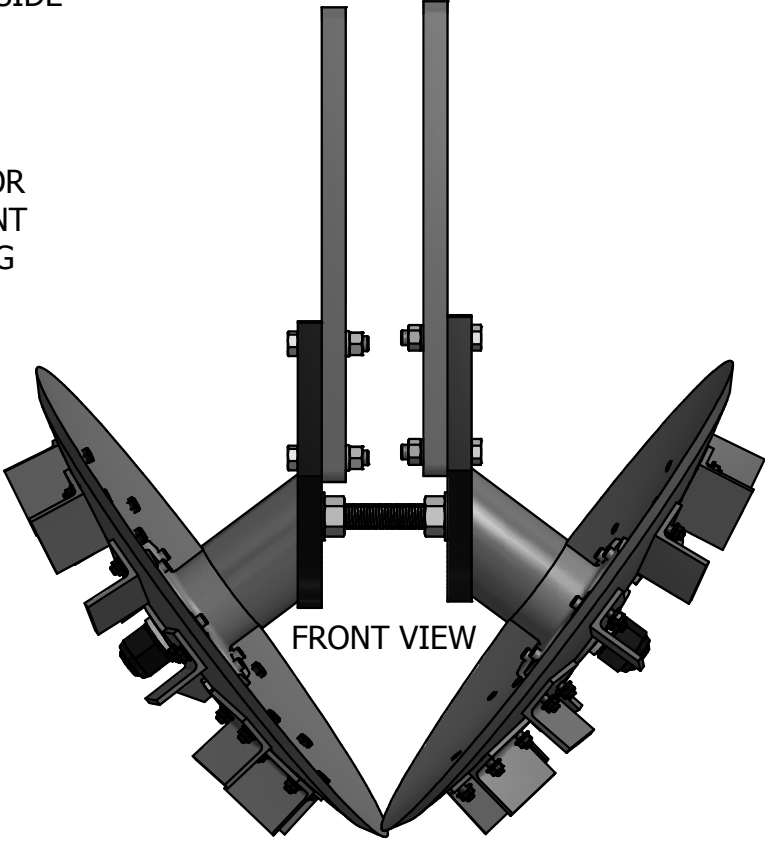
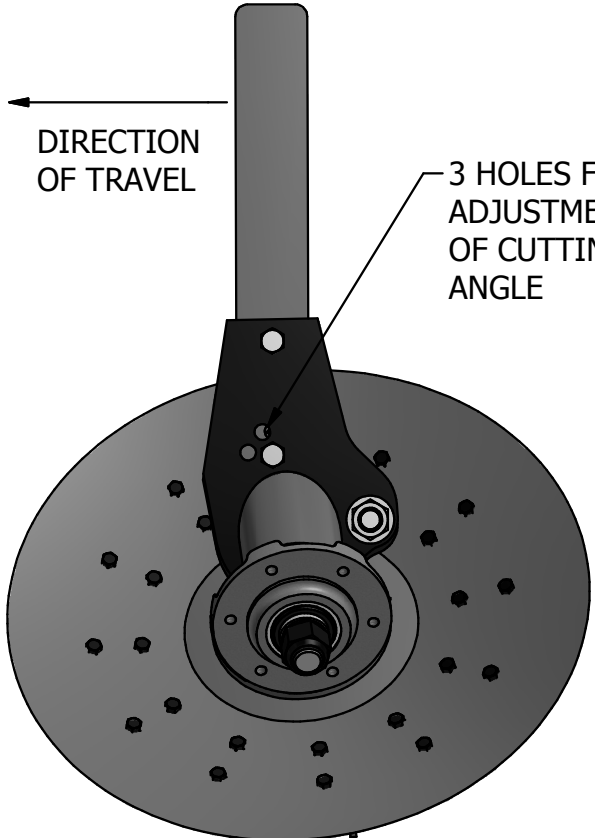
VIEW FROM  
REAR OF MACHINE



**BLADE SETUP**



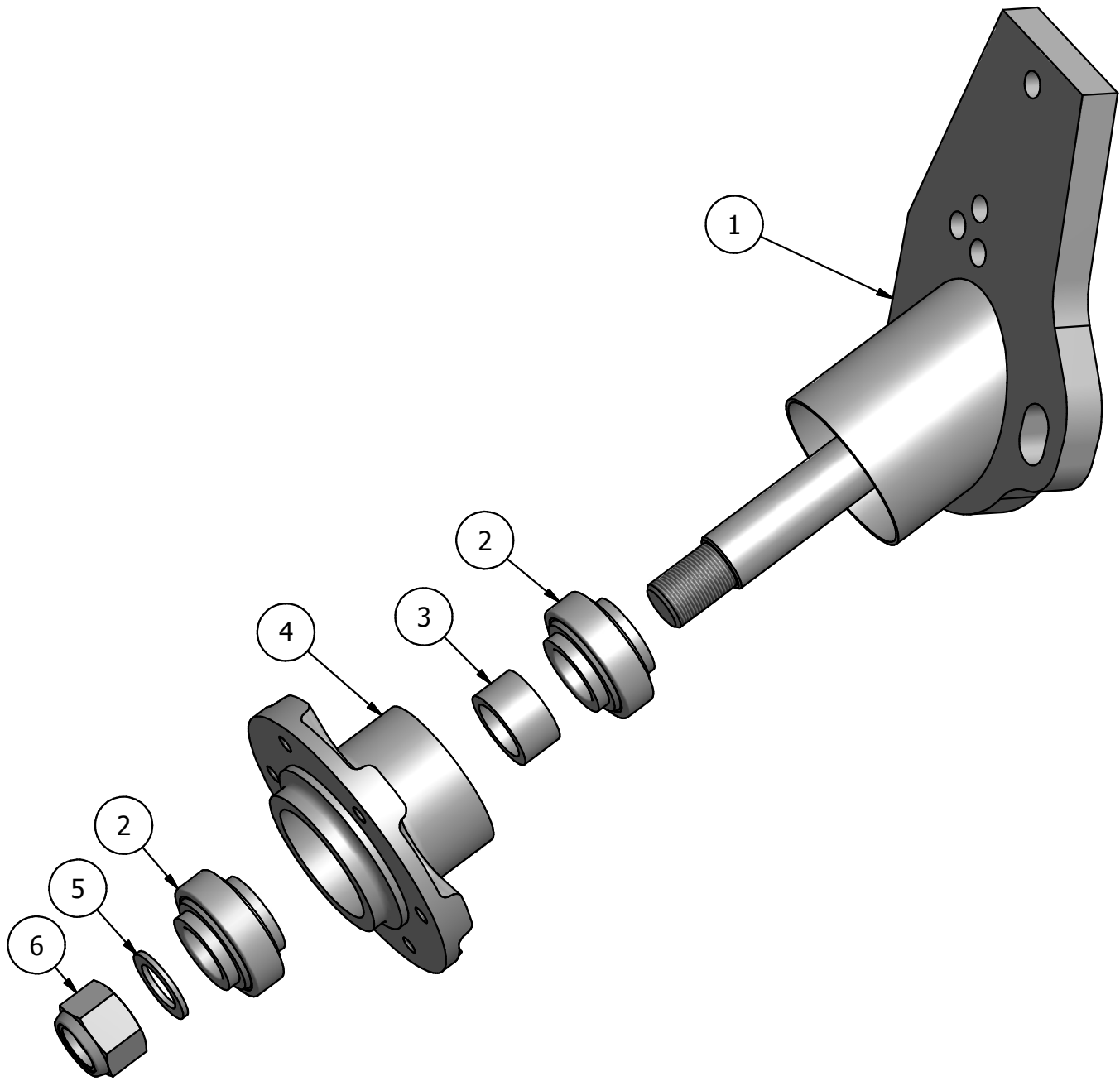
WASHER & NUT  
ON ANGLE SIDE



3 HOLES FOR  
ADJUSTMENT  
OF CUTTING  
ANGLE

LEFT BLADE REMOVED

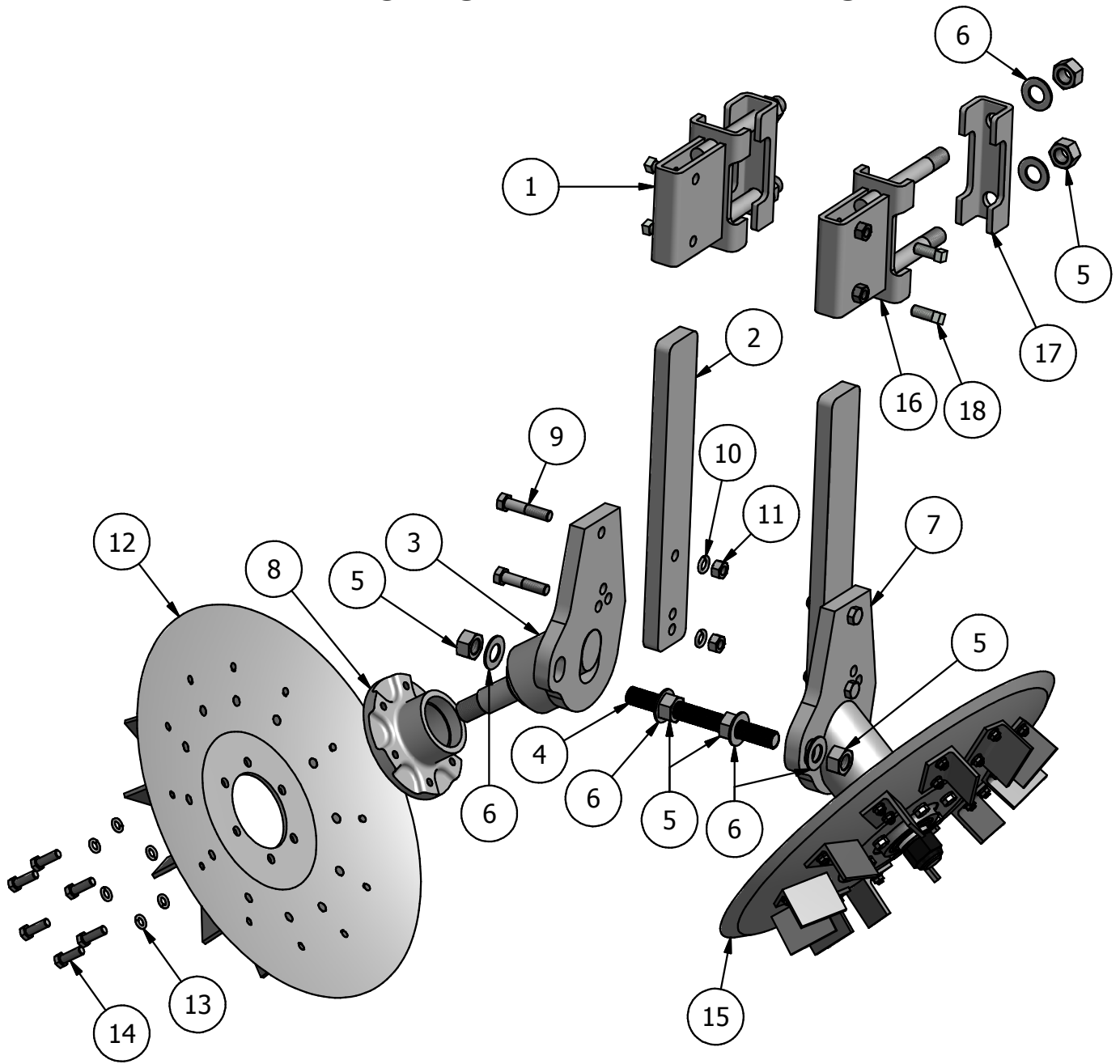
# BEARING AND HUB ASSEMBLY



## PARTS LIST

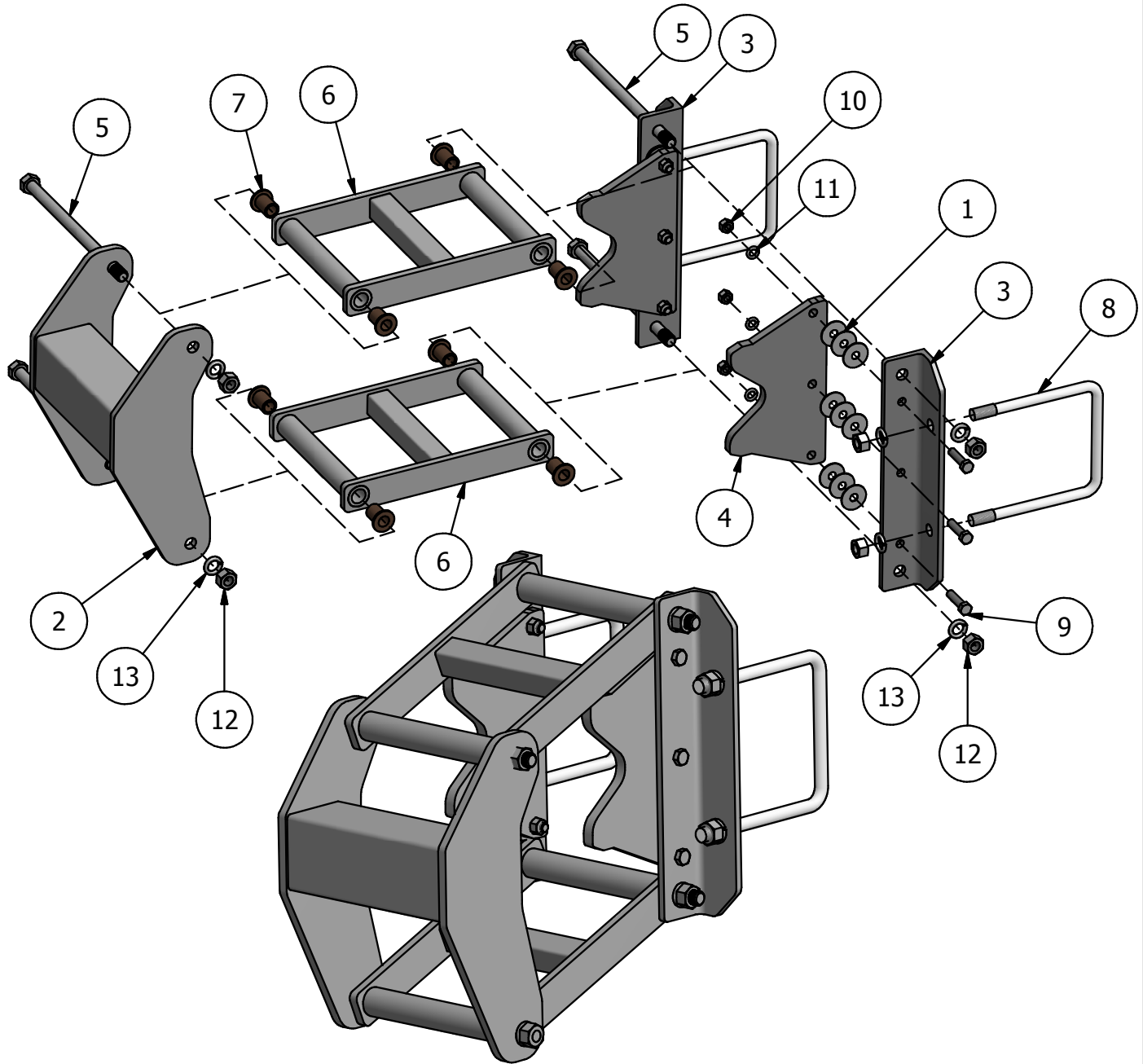
ITEM	PART #	DESCRIPTION	QTY
1	11151	Axle Weldment Left Hand	1
2	90310	Sealed Bearing	2
3	11130	Spacer Sealed Bearing Hub	1
4	11140	Hub	1
5	90311	1-1/4" Machine Washer	1
6	90312	1-1/4" Nylock Fine Thread Nut	1

# 11105 PARALLEL ROW UNIT WITH 4" X 4" CLAMP



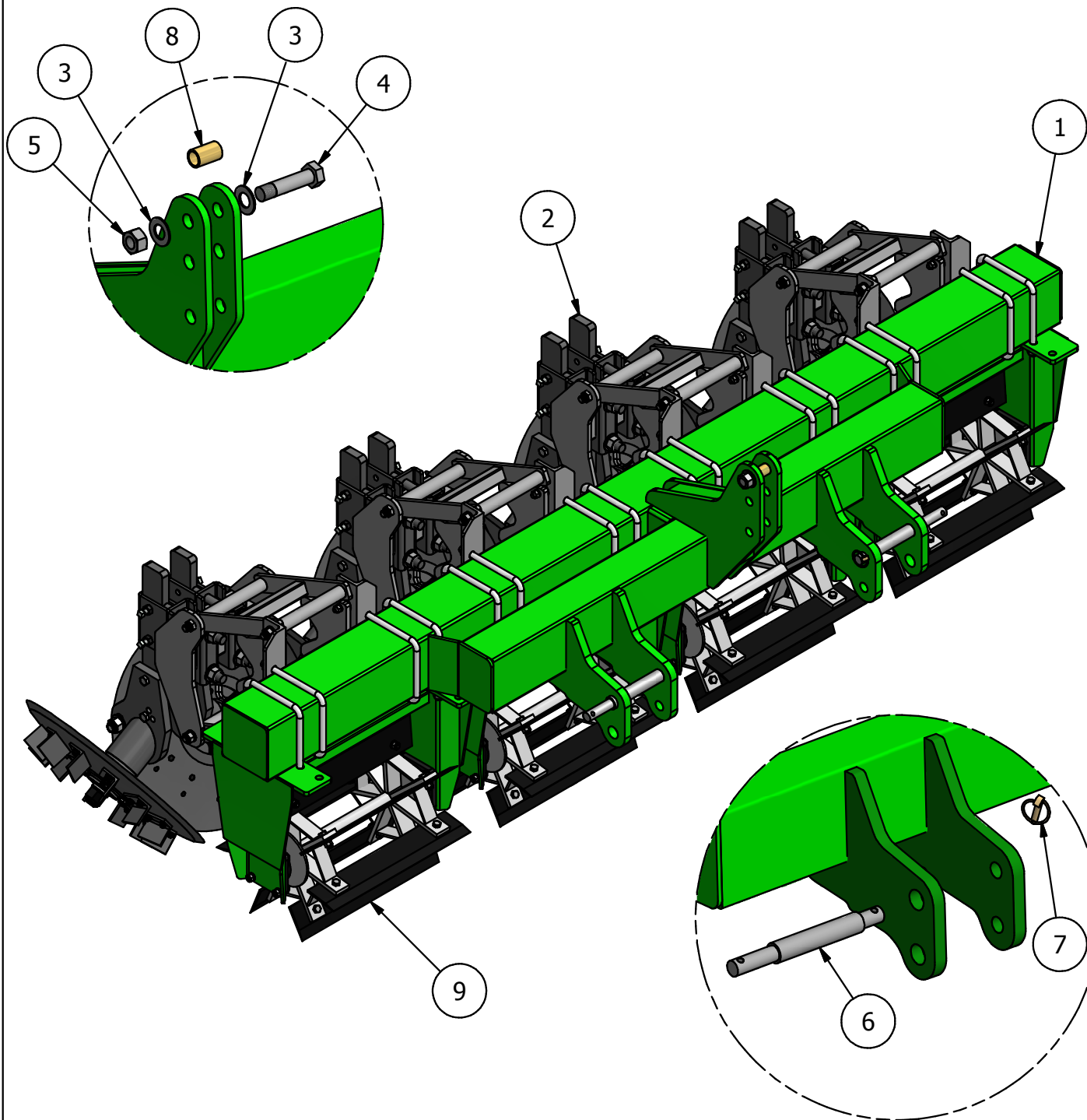
PARTS LIST				PARTS LIST			
ITEM	PART #	DESCRIPTION	QTY	ITEM	PART #	DESCRIPTION	QTY
1	11019	4 x 4 Clamp Complete	2	10	90123	5/8" Lock Washer	4
2	11012	Vert. Height Bar	2	11	90137	5/8" Nut	4
3	11151	Axle Weldment Left	1	12	11002	Left Disc with Angles	1
4	90331	1" Threaded Rod	1	13	90134	1/2" Lock Washer	12
5	90148	1" Nut	8	14	90337	1/2" x 1-1/2" Bolt FT	12
6	90112	1" Washer	8	15	11001	Right Disc with Angles	1
7	11152	Axle Weldment Right	1	16	11020	Vert. Clamp Weldment	1
8	11140	Hub	2	17	11024	Front Clamp	1
9	90151	5/8" x 3" Bolt	4	18	90412	5/8" x 1-1/2" sq. hd bolt	4

# 11105 PARALLEL ROW UNIT WITH 4" X 4" CLAMP



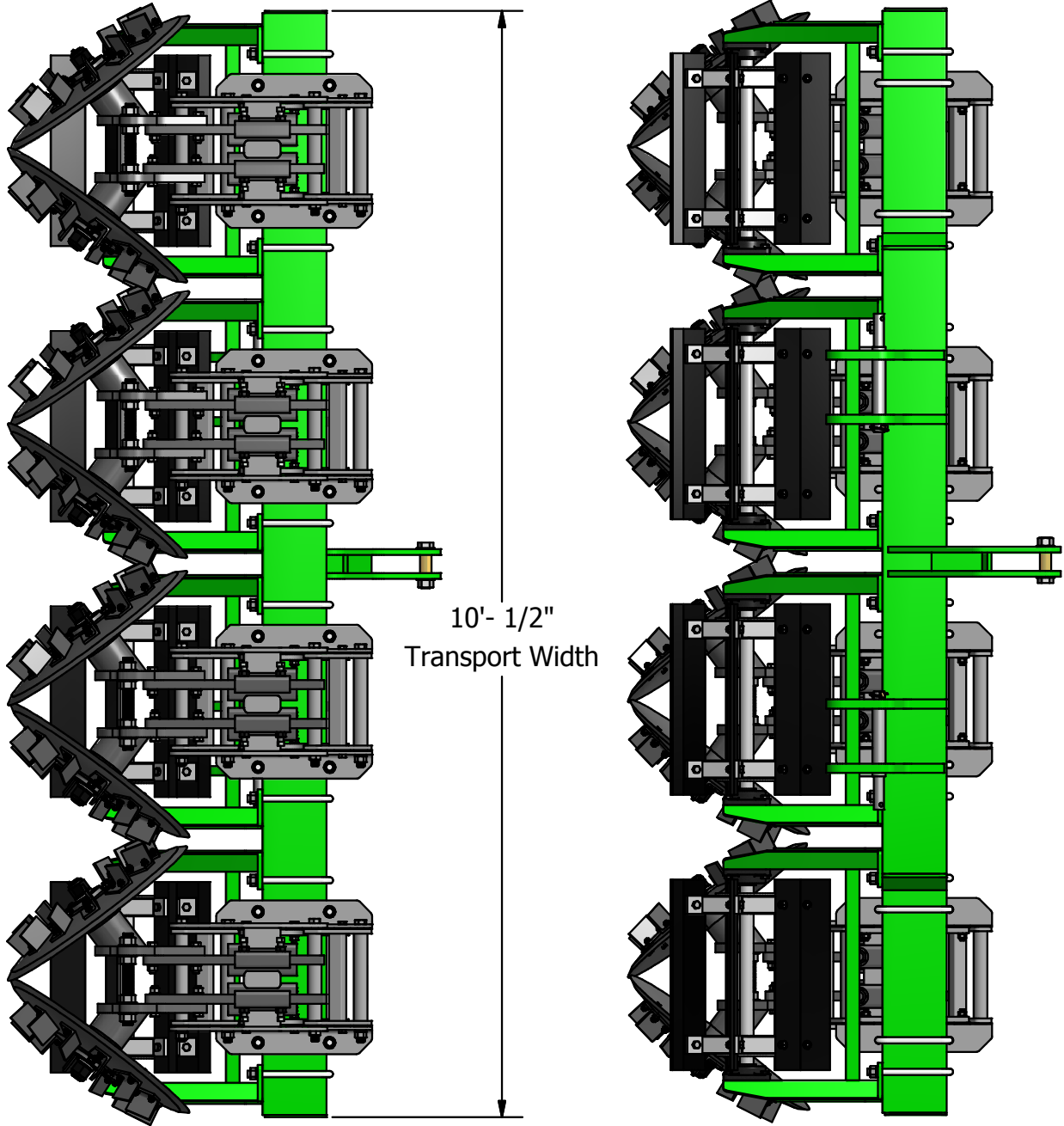
PARTS LIST				PARTS LIST			
ITEM	PART #	DESCRIPTION	QTY	ITEM	PART #	DESCRIPTION	QTY
1	11112	Fender Washer	18	8	90139	U-bolt 3/4" x 7 1/8" x 9	2
2	11035	4" Toolbar Weldment	1	9	90229	1/2" x 2" Bolt	6
3	11050	Front Angle Reverse Mount	2	10	90138	1/2" nut	6
4	11104	Stop Plate -Camel Hump	2	11	90134	1/2" Lock Washer	6
5	11047	3/4" x 12-7/8"	4	12	90160	3/4" nut	8
6	11026	Parallel Linkage	2	13	90158	3/4" Lock Washer	8
7	90332	Bushing	8				

# 60430RP

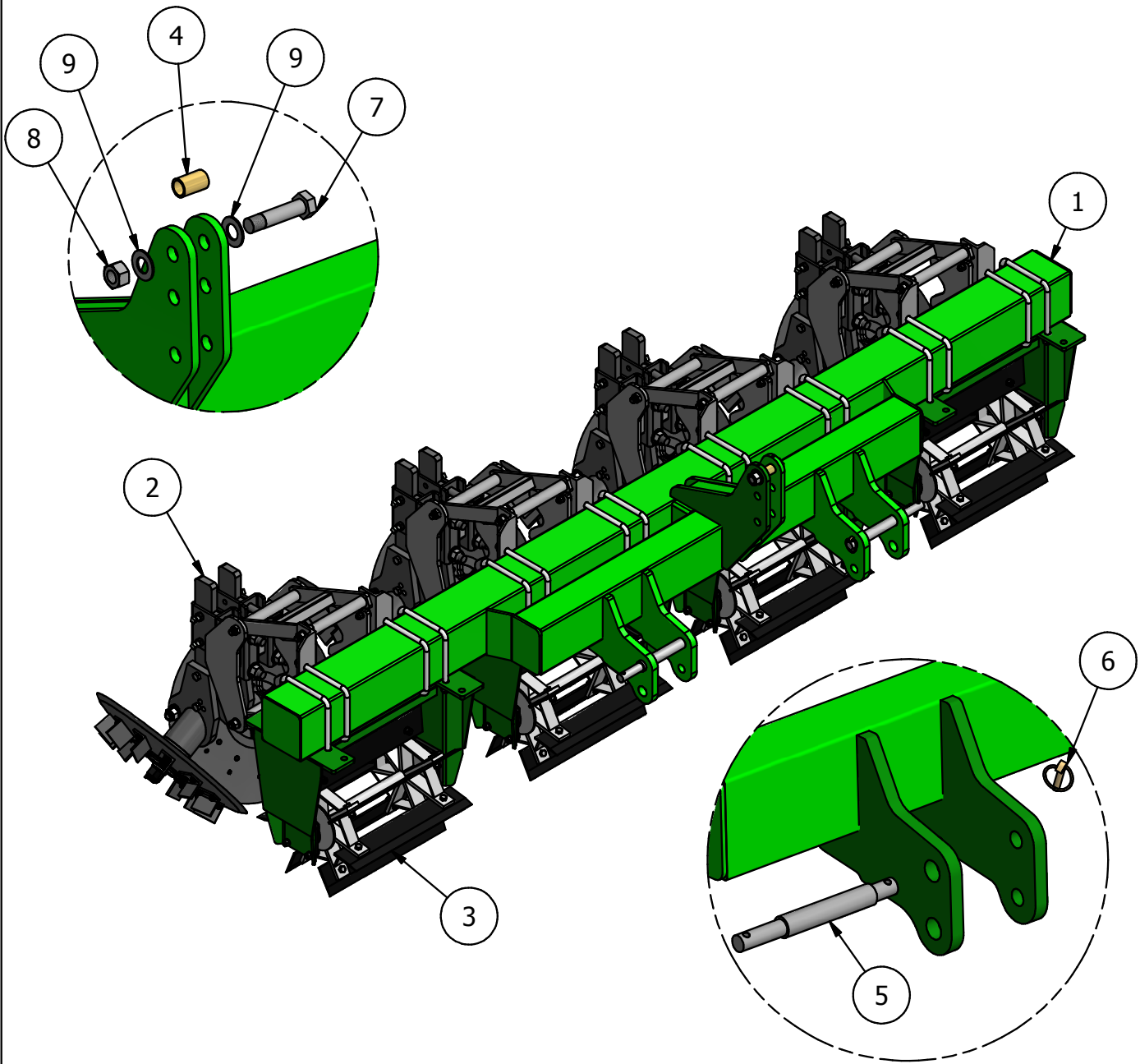


PARTS LIST				PARTS LIST			
ITEM	PART#	DESCRIPTION	QTY	ITEM	PART#	DESCRIPTION	QTY
1	11057	Toolbar 4 Row 30 Rigid	1	7	90115	Lynch Pin 7/16" x 1-1/2"	2
2	11105	Parallel Linkage Row Unit	4	8	90109	Top Link Bushing	1
3	90112	1" Washer	2	9	11111	7 Blade Chopper Row Unit	4
4	90110	1 x 4-3/8" Bolt	1				
5	90111	1in Deformed Nut	1				
6	90113	Cat 2 and 3 Pin	2				

# 60430RP

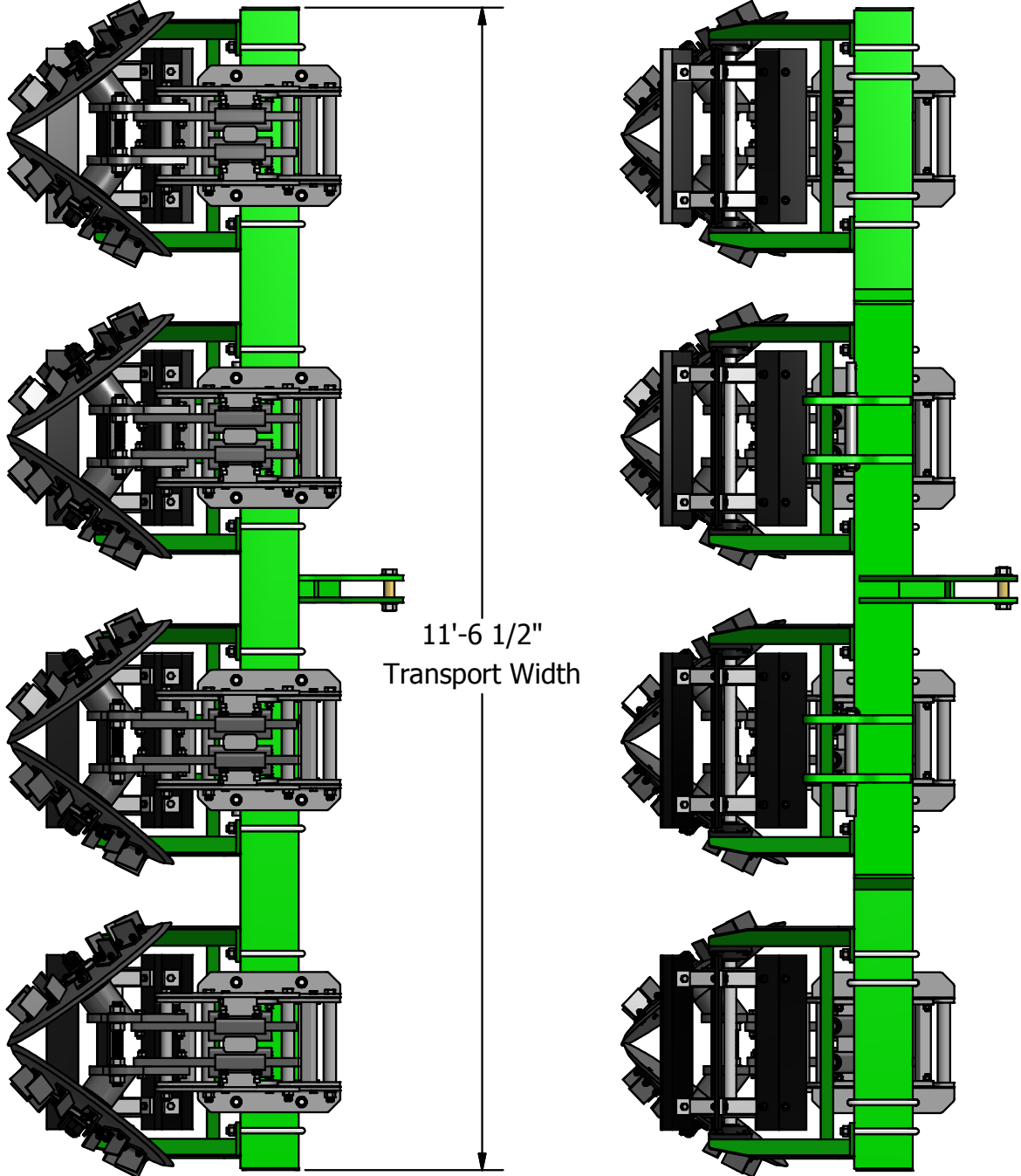


# 60436RP



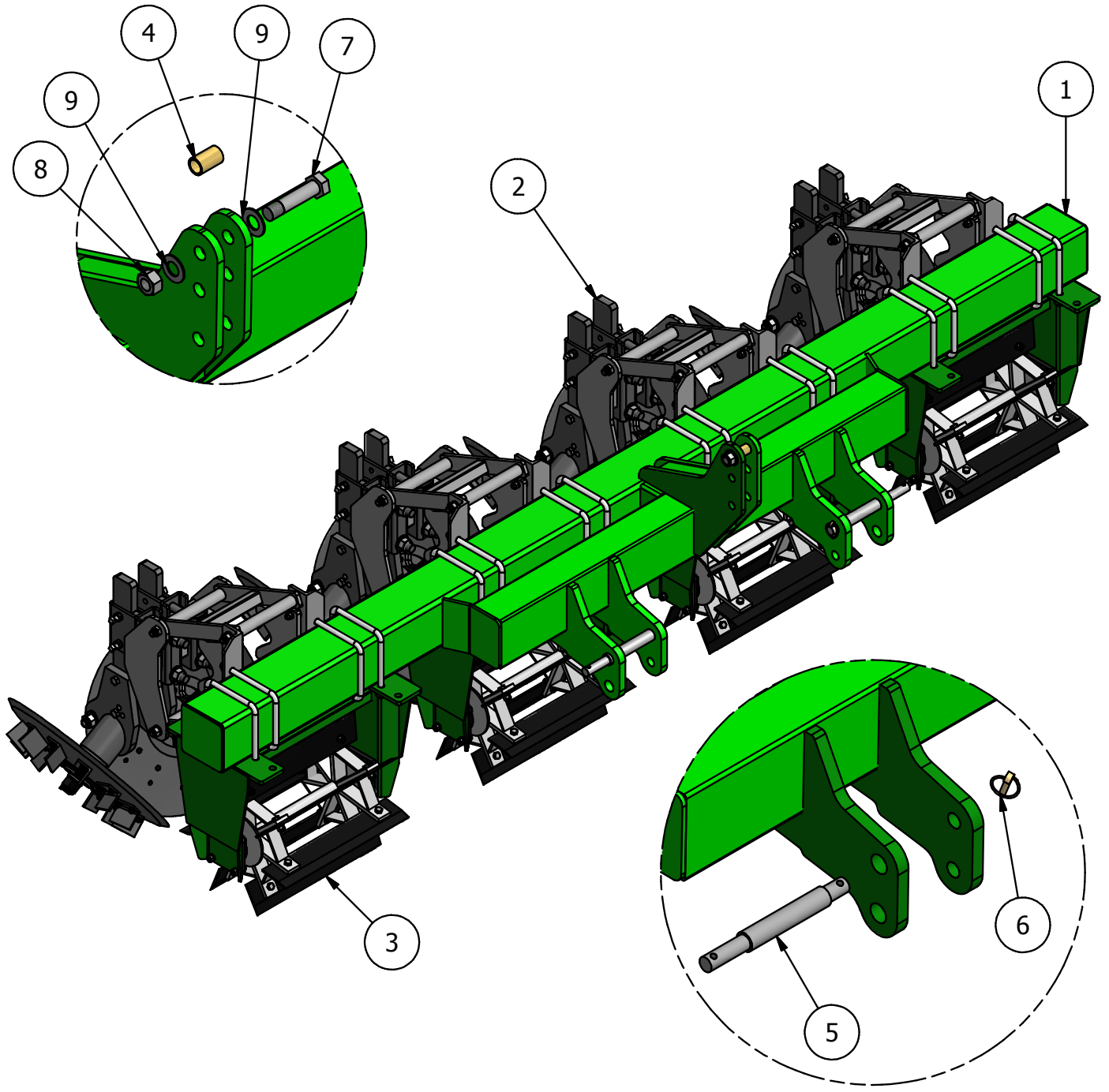
PARTS LIST				PARTS LIST			
ITEM	PART#	DESCRIPTION	QTY	ITEM	PART#	DESCRIPTION	QTY
1	11062	Toolbar 4 Row 36 Rigid	1	7	90110	1 x 4-3/8" Bolt	1
2	11105	Parallel Linkage Row Unit	4	8	90111	1in Deformed Nut	1
3	11111	7 Blade Chopper Row Unit	4	9	90112	1" Washer	2
4	90109	Top Link Bushing	1				
5	90113	Cat 2 and 3 Pin	2				
6	90115	Lynch Pin .437 x 1.5	2				

# 60436RP



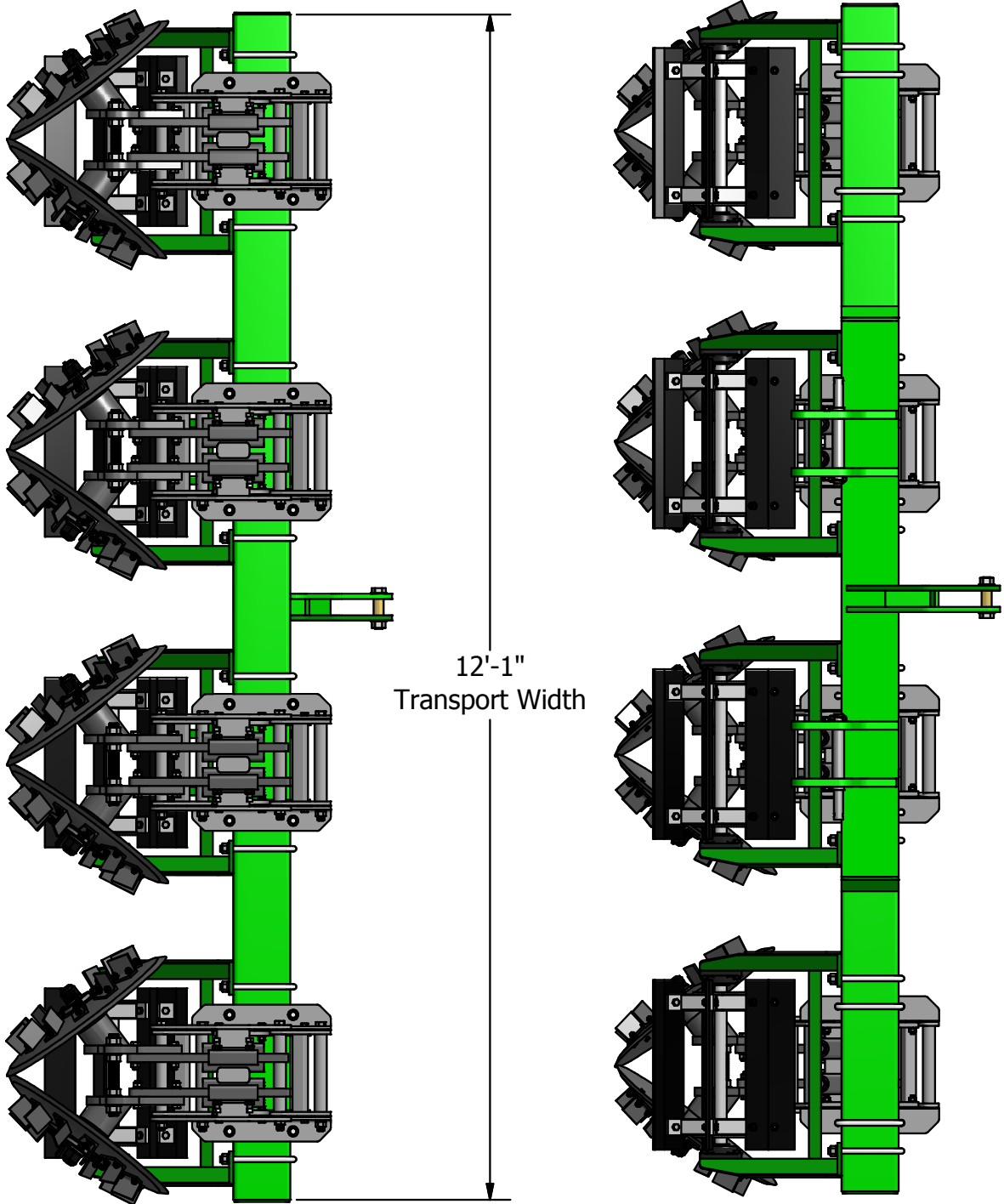


# 60438RP

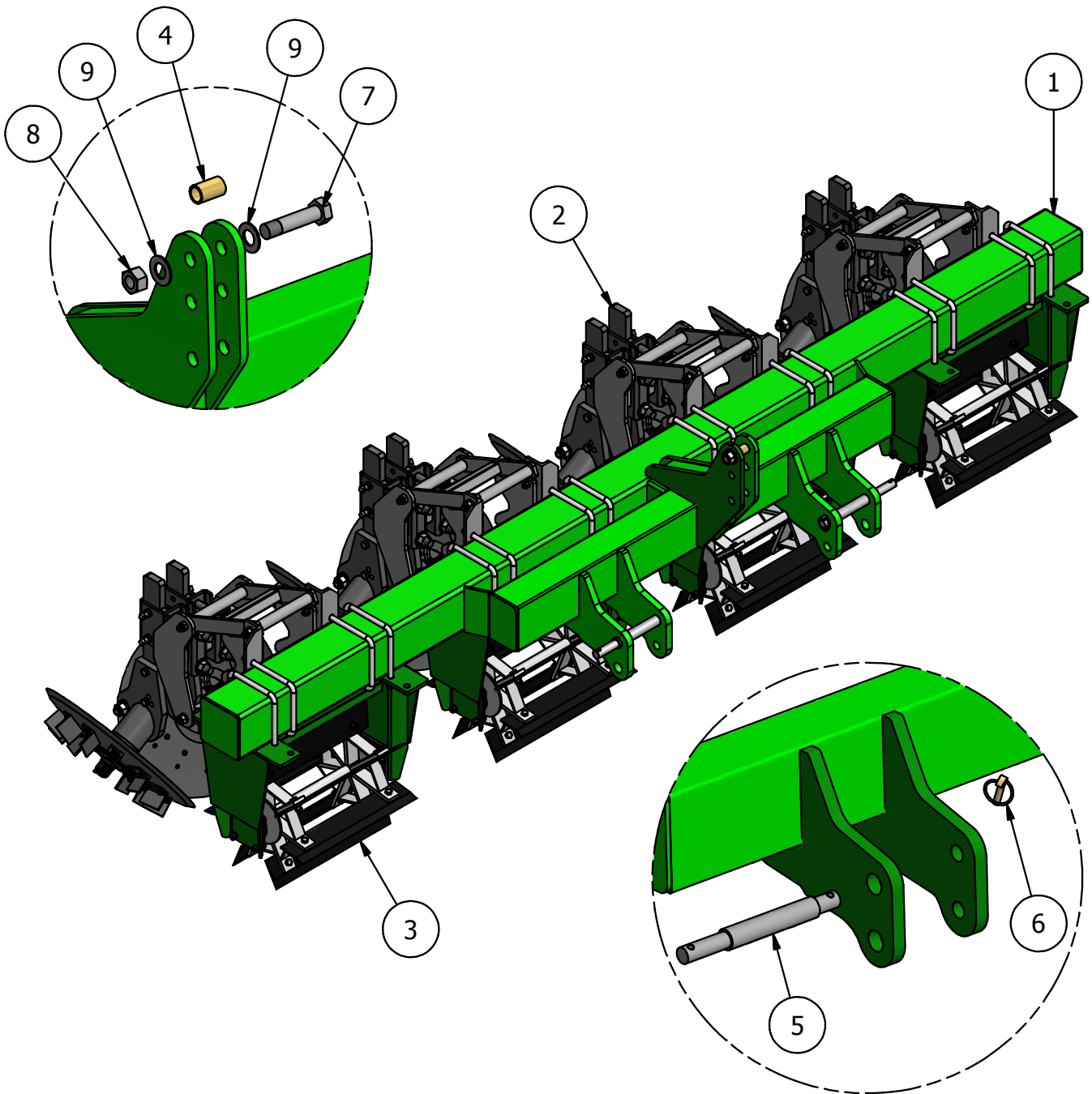


PARTS LIST				PARTS LIST			
ITEM	PART#	DESCRIPTION	QTY	ITEM	PART#	DESCRIPTION	QTY
1	10841	Toolbar 4 Row 38 Rigid	1	7	90110	1 x 4-3/8" Bolt	1
2	11105	Parallel Linkage Row Unit	4	8	90111	1in Deformed Nut	1
3	11111	7 Blade Chopper Row Unit	4	9	90112	1" Washer	2
4	90109	Top Link Bushing	1				
5	90113	Cat 2 and 3 Pin	2				
6	90115	Lynch Pin .437 x 1.5	2				

# 60438RP

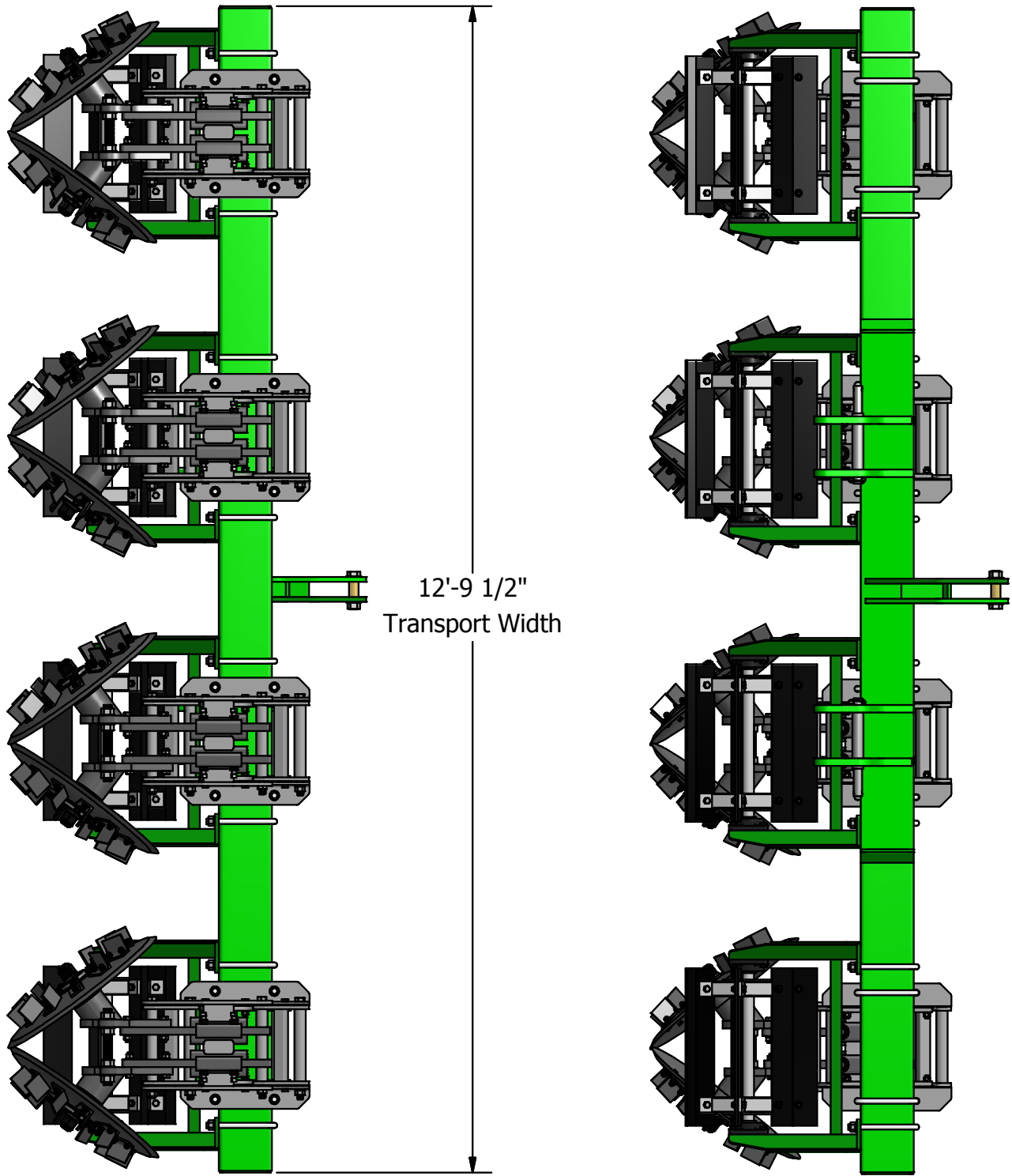


# 60440RP

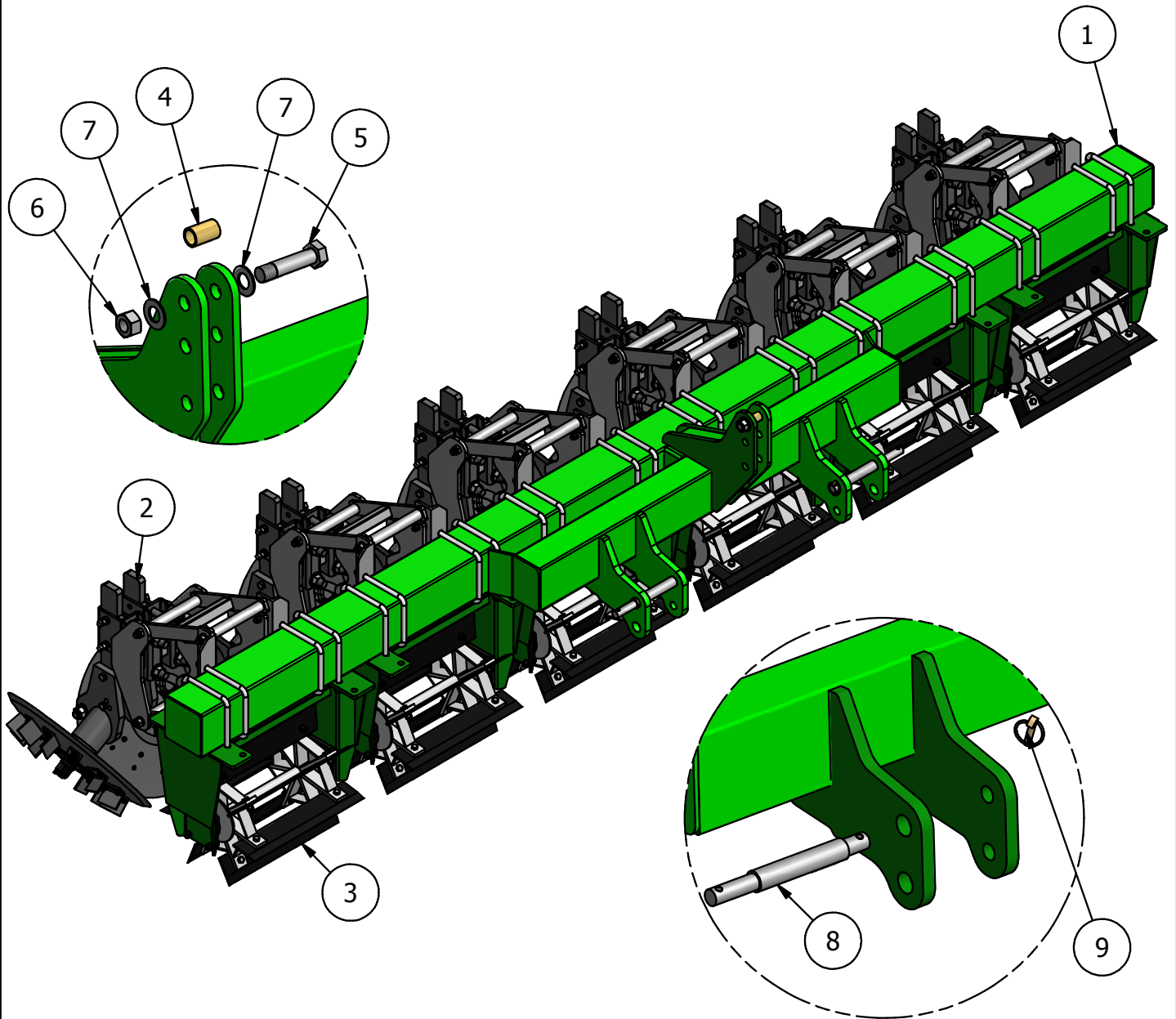


PARTS LIST				PARTS LIST			
ITEM	PART#	DESCRIPTION	QTY	ITEM	PART#	DESCRIPTION	QTY
1	10841	Toolbar 4 Row 40 Rigid	1	7	90110	1 x 4-3/8" Bolt	1
2	11105	Parallel linkage Row Unit	4	8	90111	1in Deformed Nut	1
3	11111	7 Blade Chopper Row Unit	4	9	90112	1" Washer	2
4	90109	Top Link Bushing	1				
5	90113	Cat 2 and 3 Pin	2				
6	90115	Lynch Pin 7/16" x 1-1/2"	2				

# 60440RP



# 60630RP



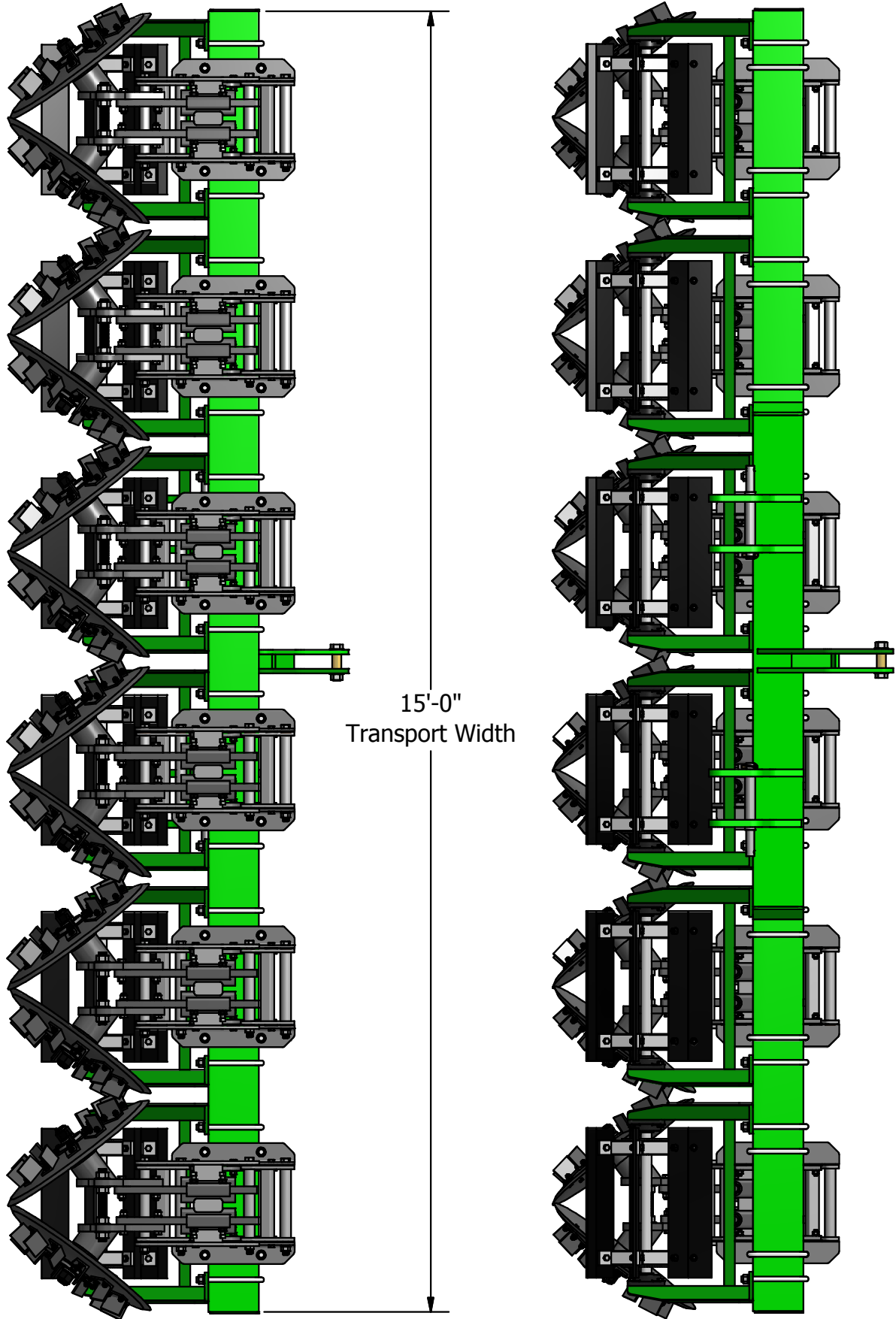
## PARTS LIST

ITEM	PART#	DESCRIPTION	QTY
1	11058	Toolbar 6 Row 30 Rigid	1
2	11105	Parallel Linkage Row Unit	6
3	11111	7 Blade Chopper Row Unit	6
4	90109	Top Link Bushing	1
5	90110	1 x 4-3/8" Bolt	1
6	90111	1in Deformed Nut	1

## PARTS LIST

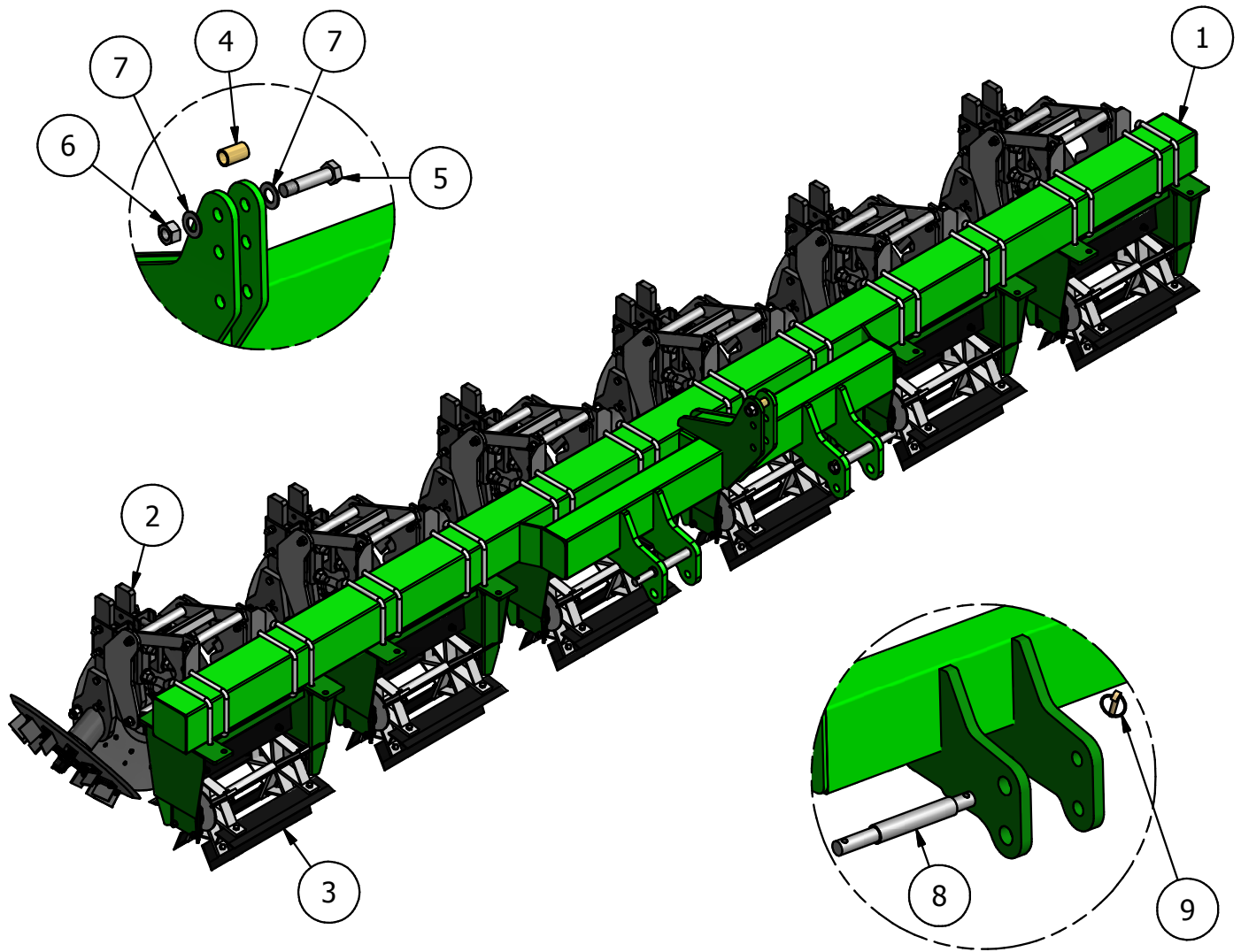
ITEM	PART#	DESCRIPTION	QTY
7	90112	1" Washer	2
8	90113	Cat 2 and 3 Pin	2
9	90115	Lynch Pin 7/16" x 1-1/2"	2

# 60630RP



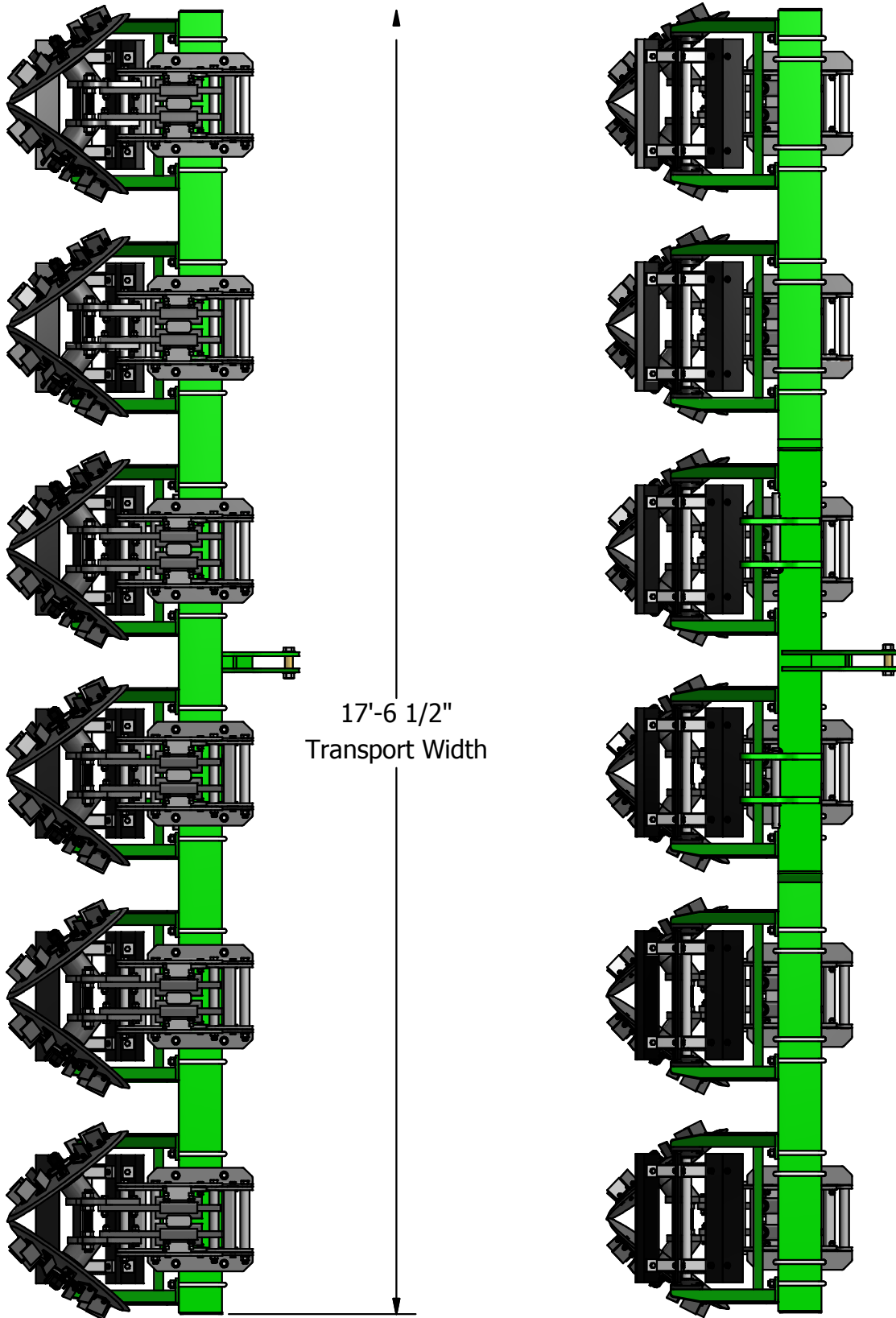


# 60636RP



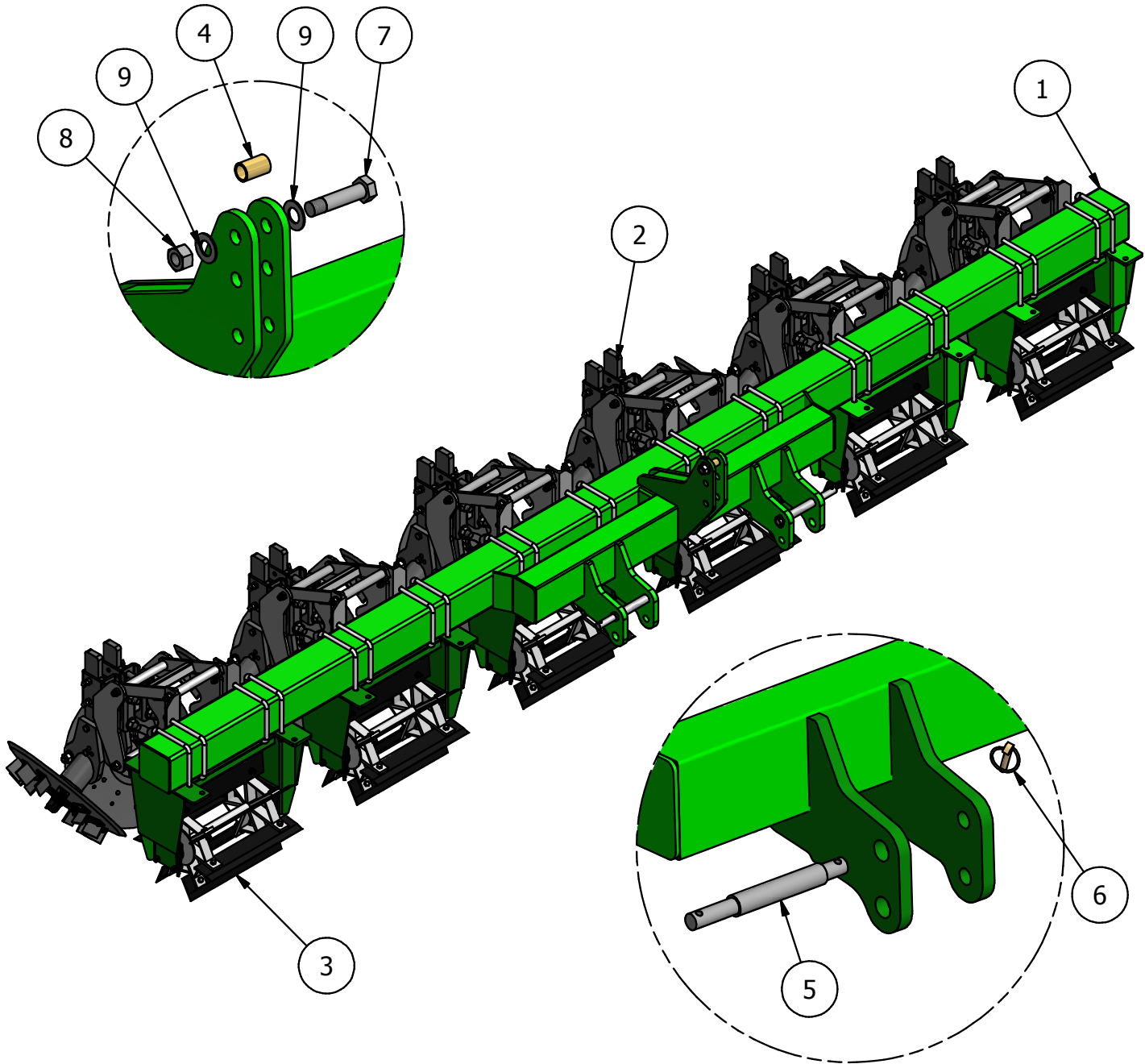
PARTS LIST				PARTS LIST			
ITEM	PART#	DESCRIPTION	QTY	ITEM	PART#	DESCRIPTION	QTY
1	11063	Toolbar 6 Row 36 Rigid	1	7	90112	1" Washer	2
2	11105	Parallel Linkage Row Unit	6	8	90113	Cat 2 and 3 Pin	2
3	11111	7 Blade Chopper Row Unit	6	9	90115	Lynch Pin 7/16" x 1-1/2"	2
4	90109	Top Link Bushing	1				
5	90110	1 x 4-3/8" Bolt	1				
6	90111	1in Deformed Nut	1				

# 60636RP



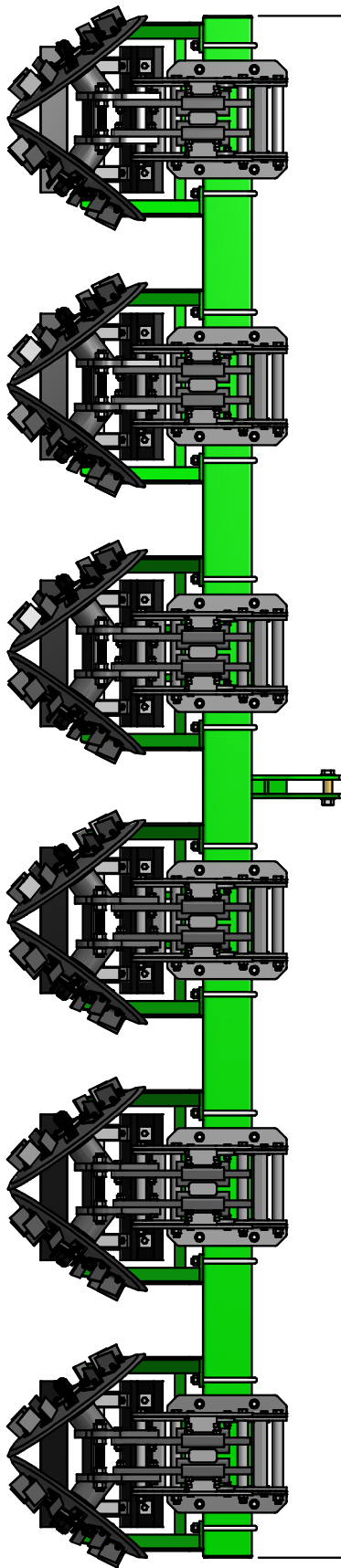


# 60638RP

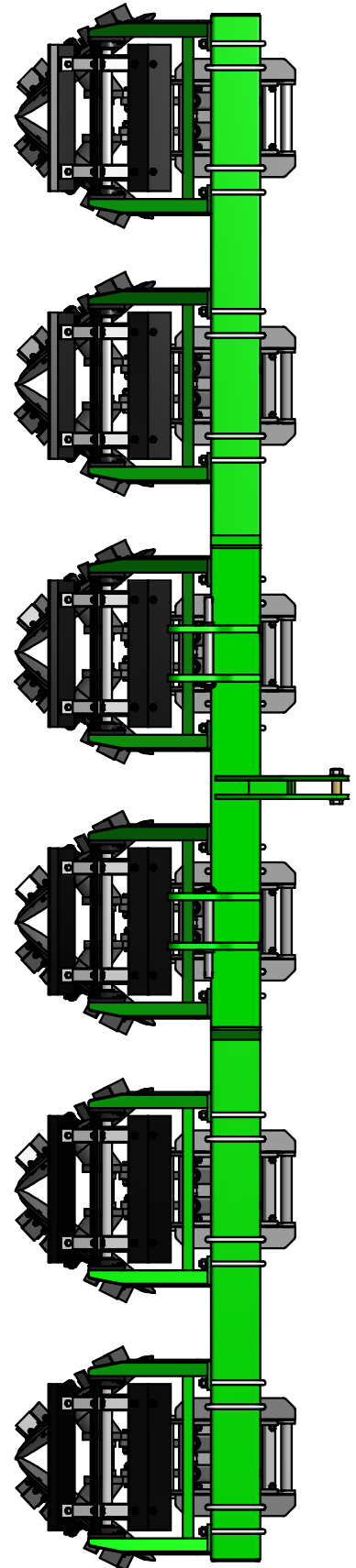


PARTS LIST				PARTS LIST			
ITEM	PART#	DESCRIPTION	QTY	ITEM	PART#	DESCRIPTION	QTY
1	10839	Toolbar 6 Row 38 Rigid	1	7	90110	1 x 4-3/8" Bolt	1
2	11105	Parallel Linkage Row Unit	6	8	90111	1in Deformed Nut	1
3	11111	7 Blade Chopper Row Unit	6	9	90112	1" Washer	2
4	90109	Top Link Bushing	1				
5	90113	Cat 2 and 3 Pin	2				
6	90115	Lynch Pin 7/16" x 1-1/2"	2				

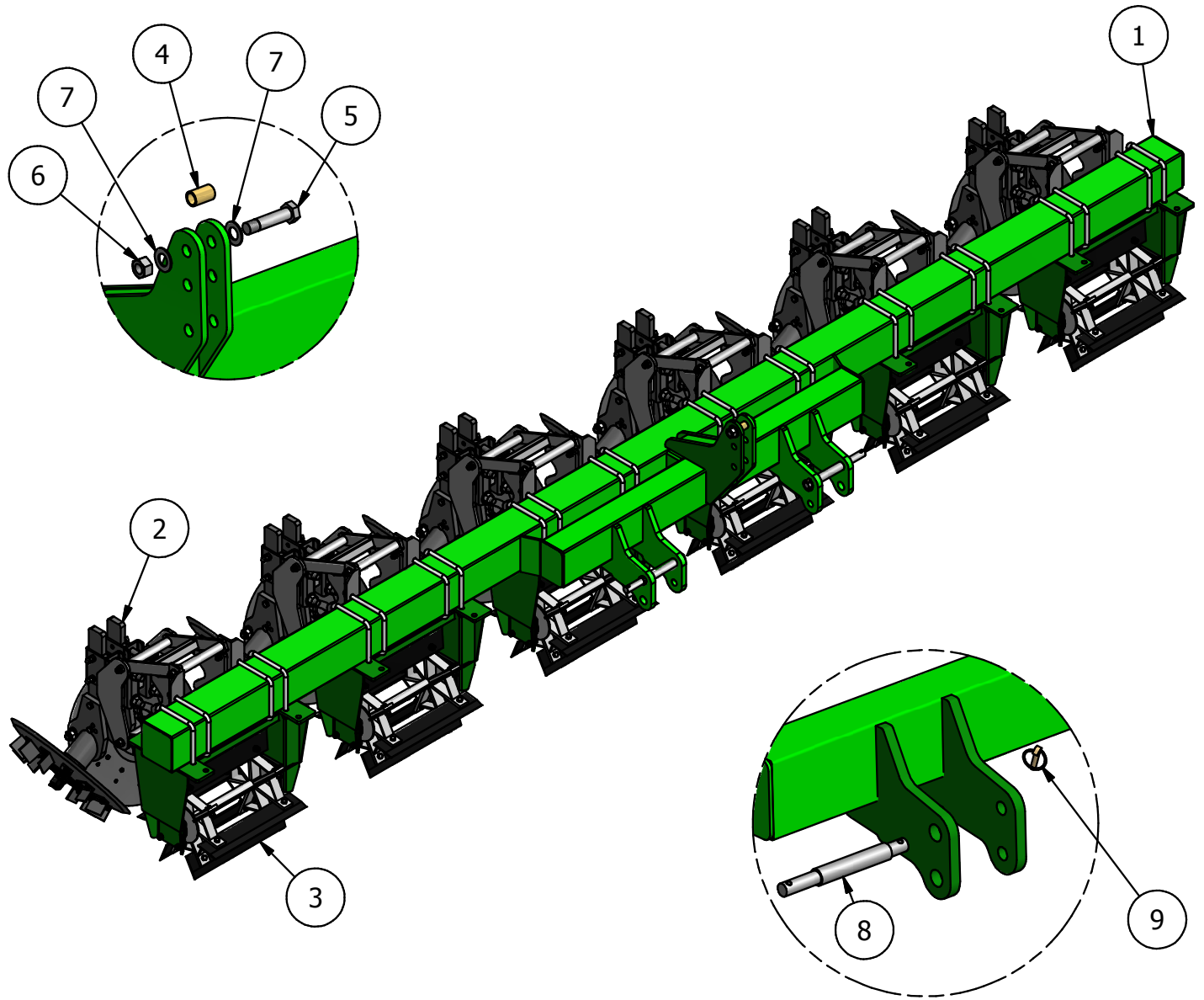
# 60638RP



18'-3 1/2"  
Transport Width

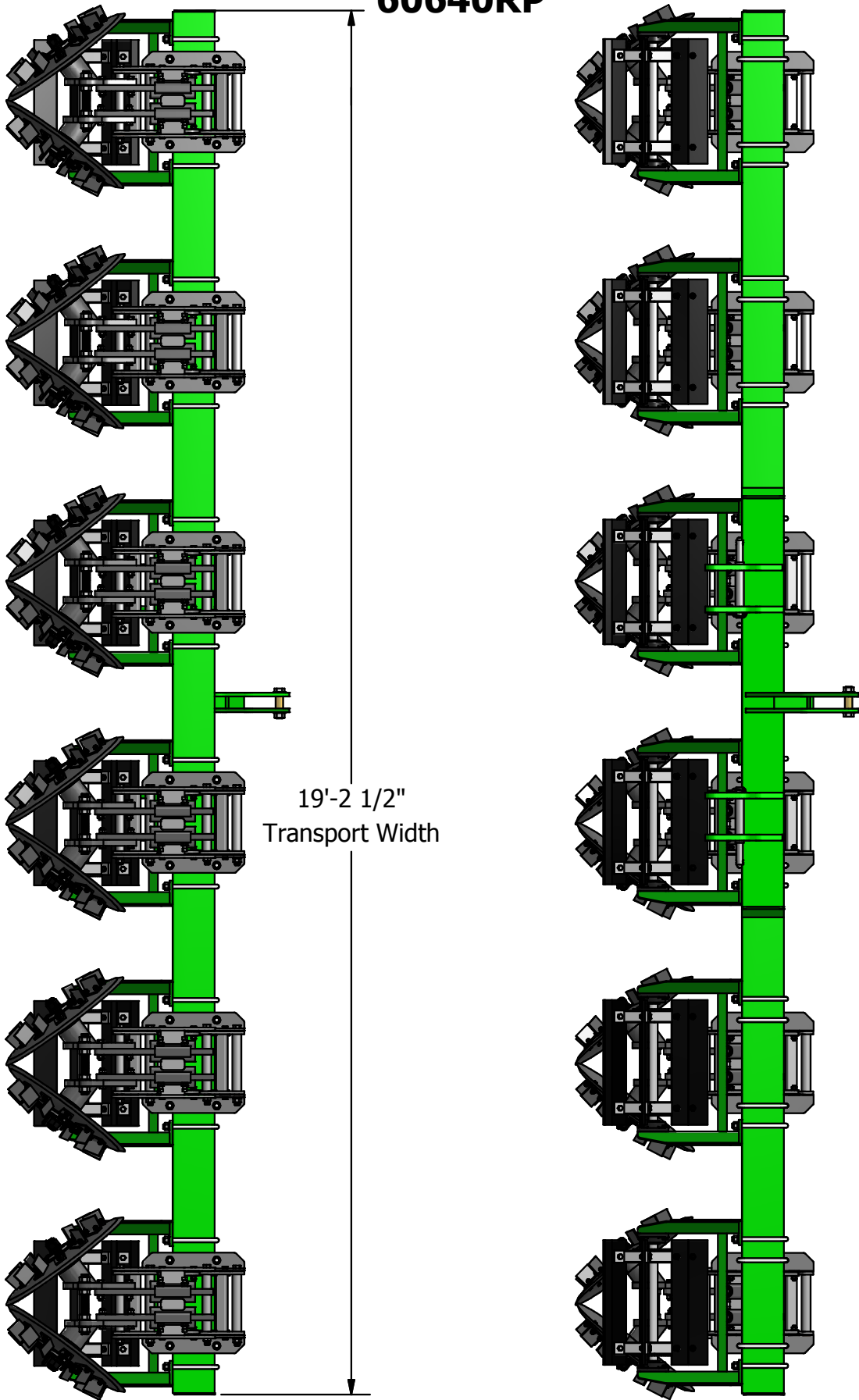


# 60640RP

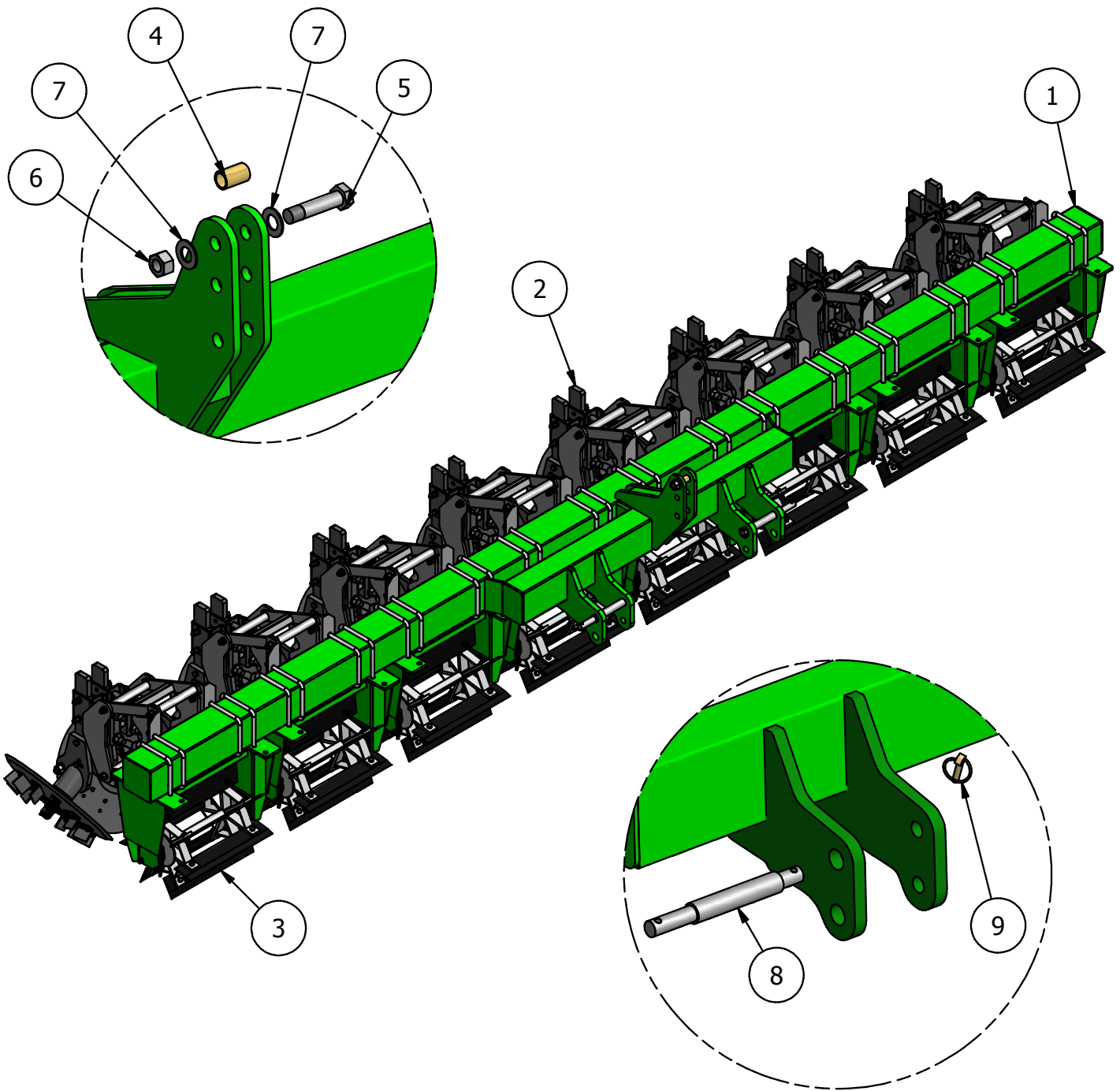


PARTS LIST				PARTS LIST			
ITEM	PART#	DESCRIPTION	QTY	ITEM	PART#	DESCRIPTION	QTY
1	11066	Toolbar 6 Row 40 Rigid	1	7	90112	1" Washer	2
2	11105	Parallel Linkage Row Unit	6	8	90113	Cat 2 and 3 Pin	2
3	11111	7 Blade Chopper Row Unit	6	9	90115	Lynch Pin 7/16" x 1-1/2"	2
4	90109	Top Link Bushing	1				
5	90110	1 x 4-3/8" Bolt	1				
6	90111	1in Deformed Nut	1				

# 60640RP



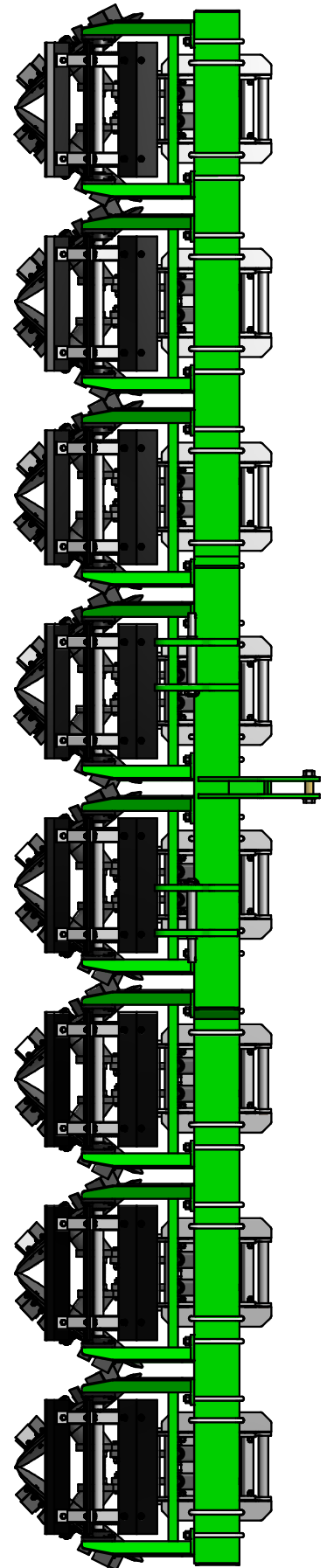
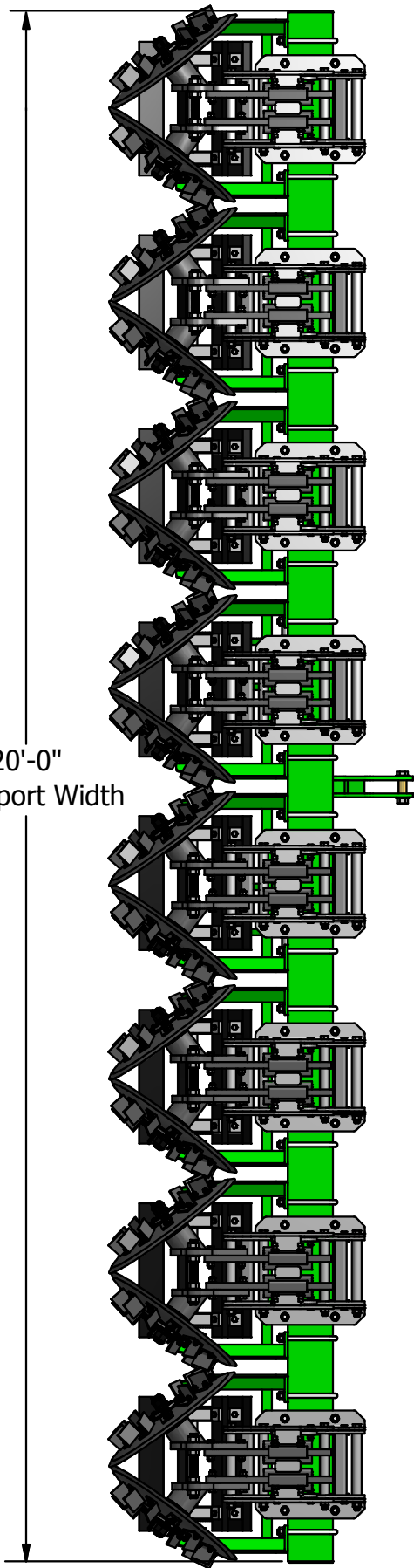
# 60830RP



PARTS LIST				PARTS LIST			
ITEM	PART#	DESCRIPTION	QTY	ITEM	PART#	DESCRIPTION	QTY
1	11059	Toolbar 8 Row 30 Rigid	1	7	90112	1" Washer	2
2	11105	Parallel Linkage Row Unit	8	8	90113	Cat 2 and 3 Pin	2
3	11111	7 Blade Chopper Row Unit	8	9	90115	Lynch Pin 7/16" x 1-1/2"	2
4	90109	Top Link Bushing	1				
5	90110	1 x 4-3/8" Bolt	1				
6	90111	1in Deformed Nut	1				

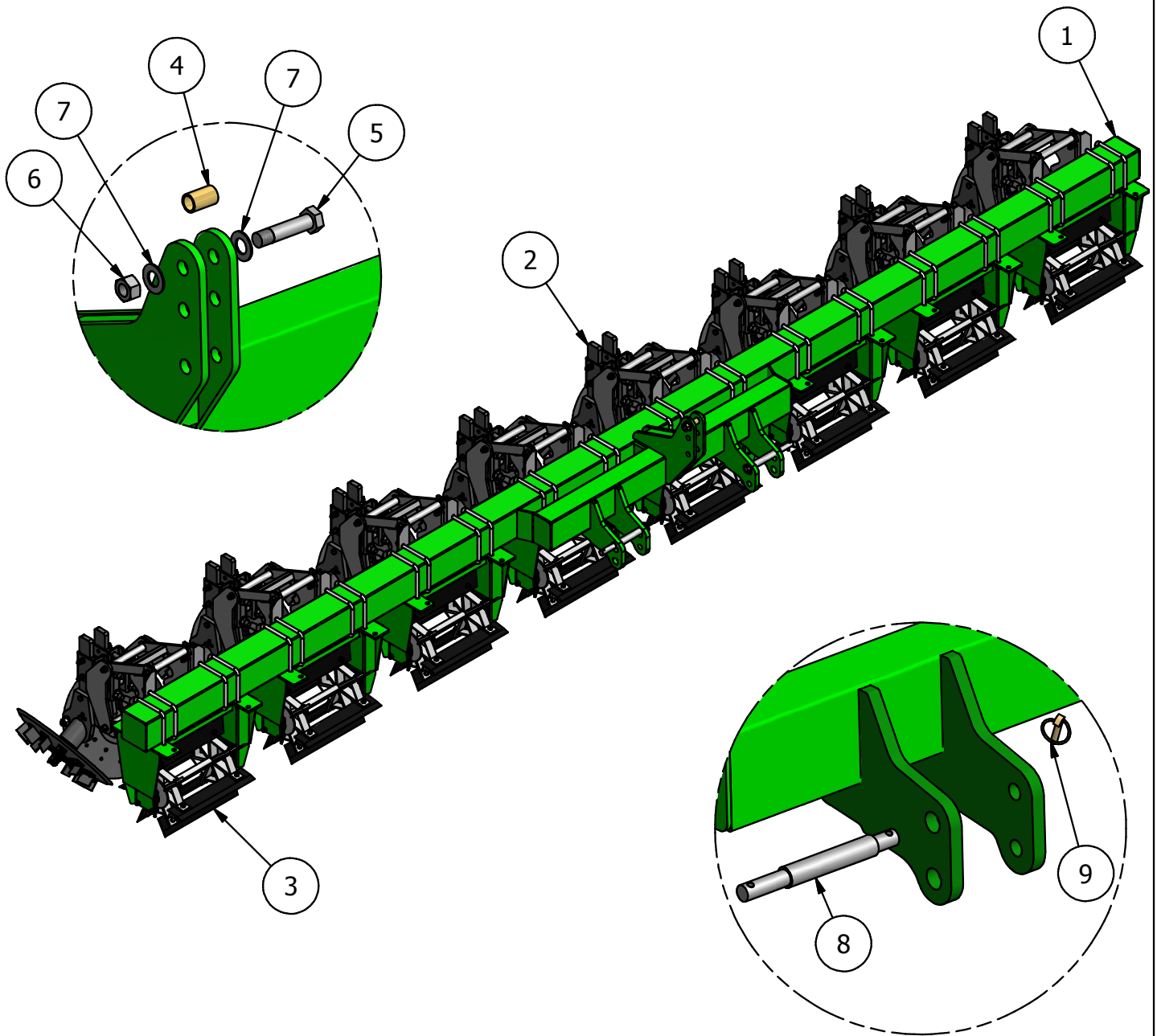
# 60830RP

20'-0"  
Transport Width



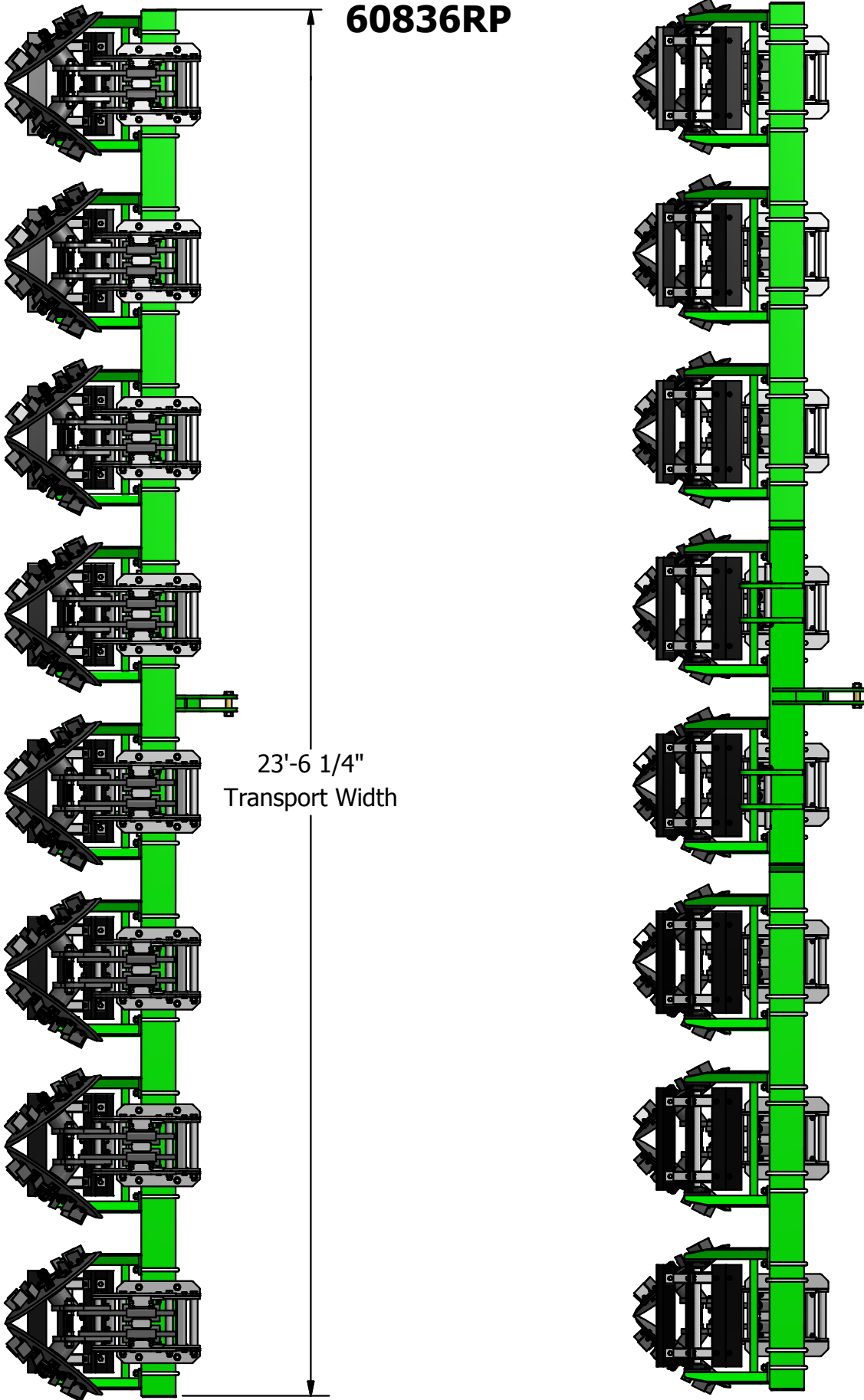


# 60836RP



PARTS LIST				PARTS LIST			
ITEM	PART#	DESCRIPTION	QTY	ITEM	PART#	DESCRIPTION	QTY
1	11064	Toolbar 8 Row 36 Rigid	1	7	90112	1" Washer	2
2	11105	Parallel Linkage Row unit	8	8	90113	Cat 2 and 3 Pin	2
3	11111	7 Blade Chopper Row Unit	8	9	90115	Lynch Pin 7/16" x 1-1/2"	2
4	90109	Top Link Bushing	1				
5	90110	1 x 4-3/8" Bolt	1				
6	90111	1in Deformed Nut	1				

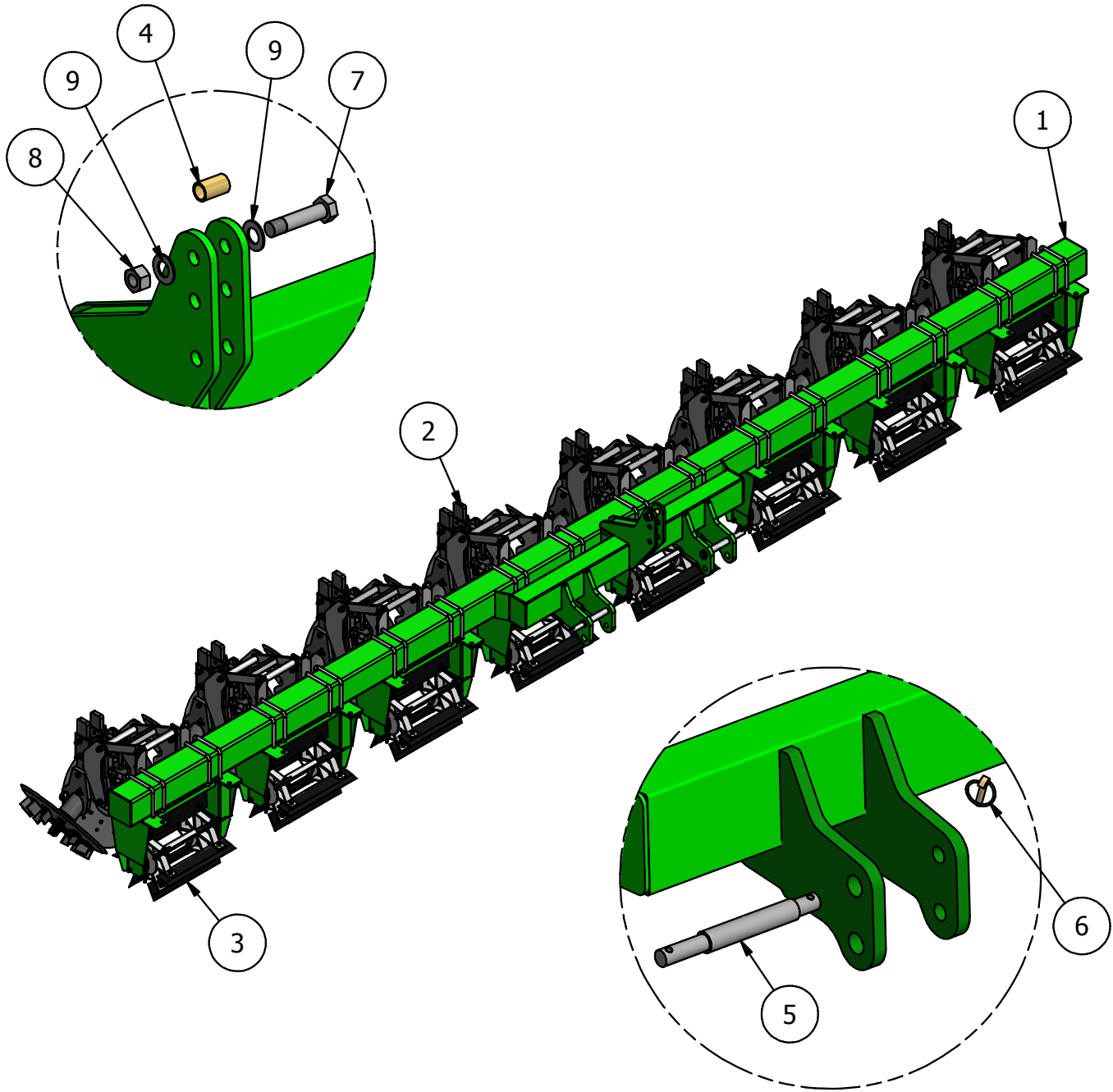
**60836RP**



23'-6 1/4"  
Transport Width

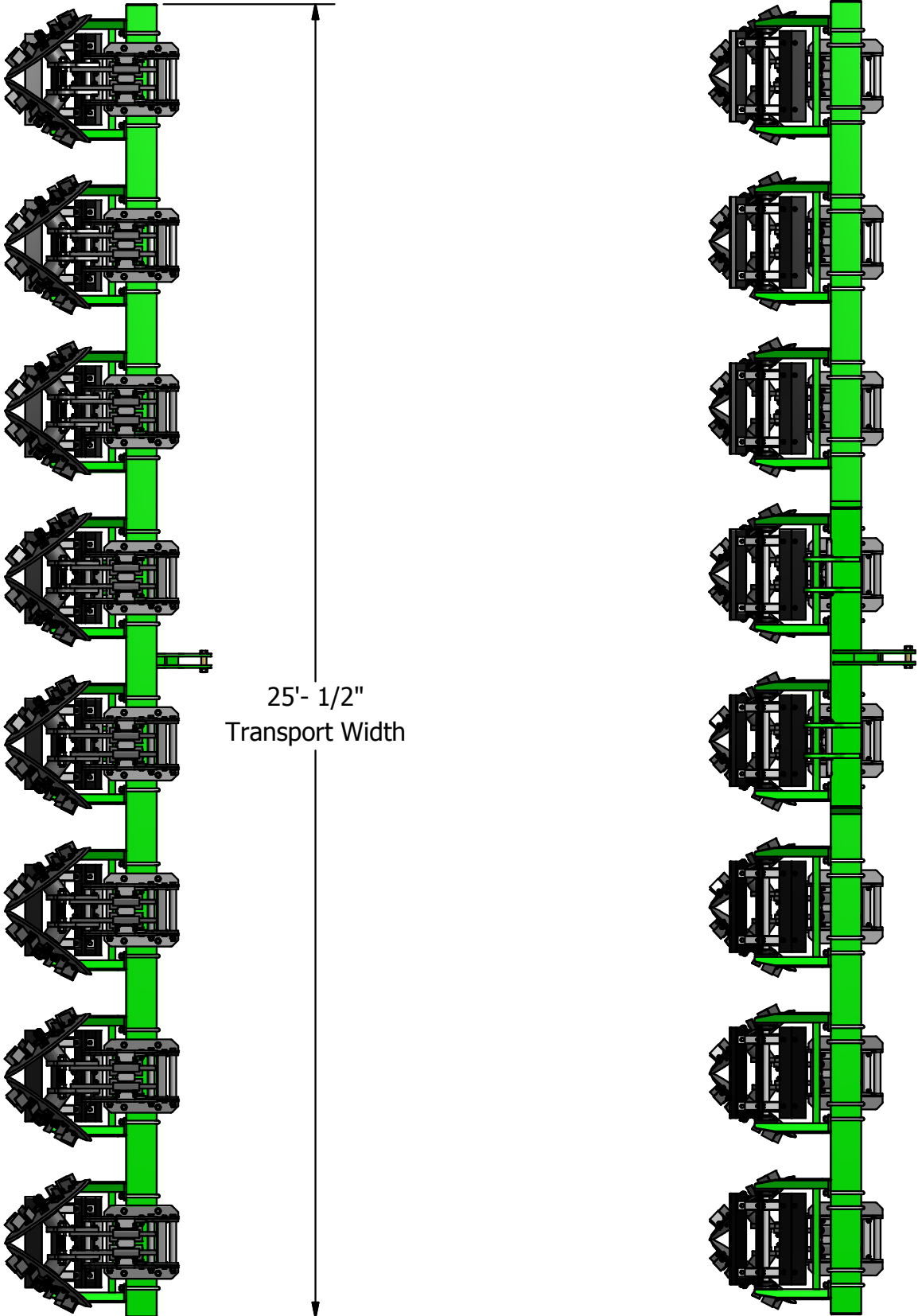


# 60838RP

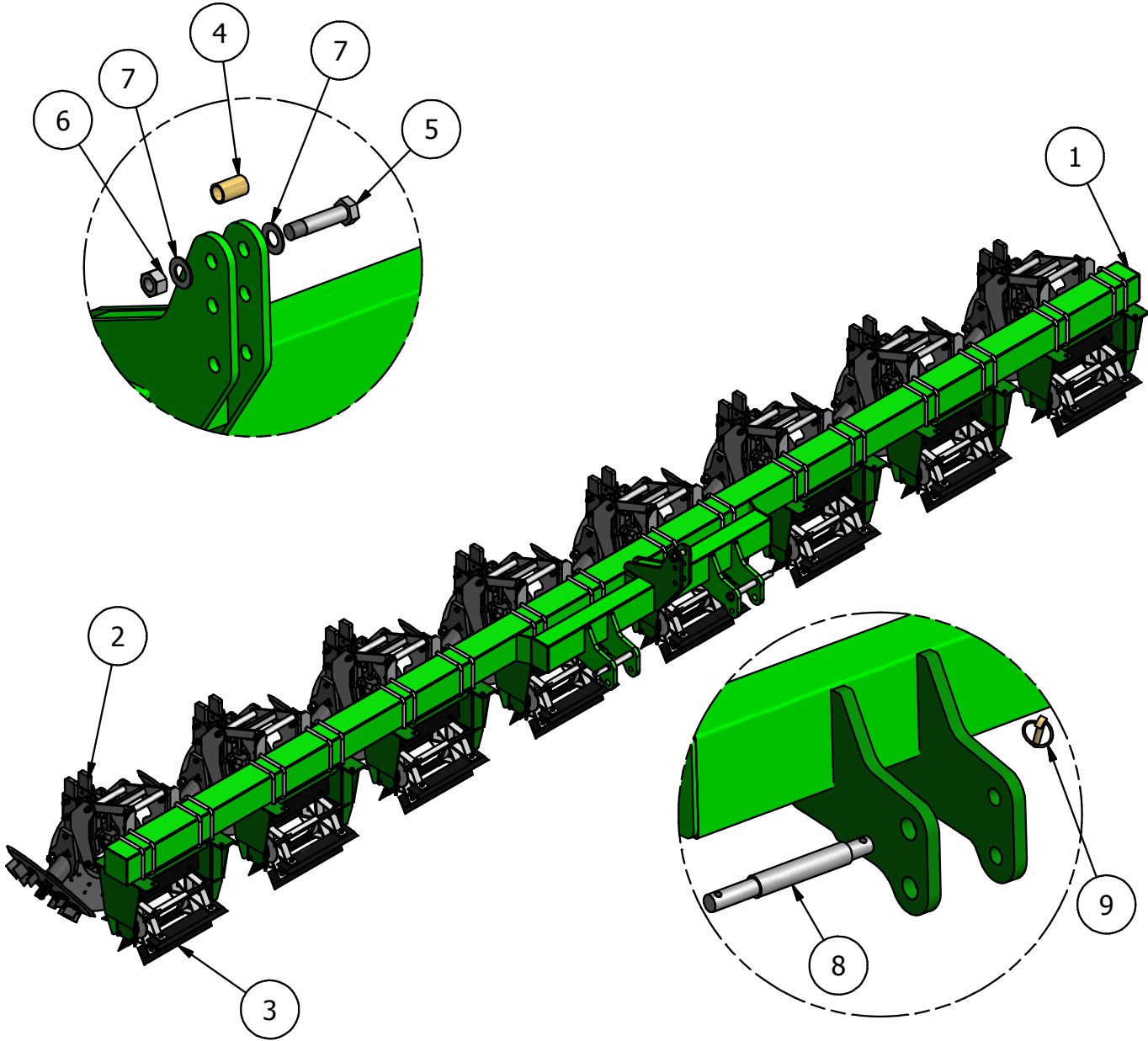


PARTS LIST				PARTS LIST			
ITEM	PART#	DESCRIPTION	QTY	ITEM	PART#	DESCRIPTION	QTY
1	10838	Toolbar 8 Row 38 Rigid	1	7	90110	1 x 4-3/8" Bolt	1
2	11105	Parallel Linkage Row Unit	8	8	90111	1in Deformed Nut	1
3	11111	7 Blade Chopper Row Unit	8	9	90112	1" Washer	2
4	90109	Top Link Bushing	1				
5	90113	Cat 2 and 3 Pin	2				
6	90115	Lynch Pin 7/16" x 1-1/2"	2				

# 60838RP

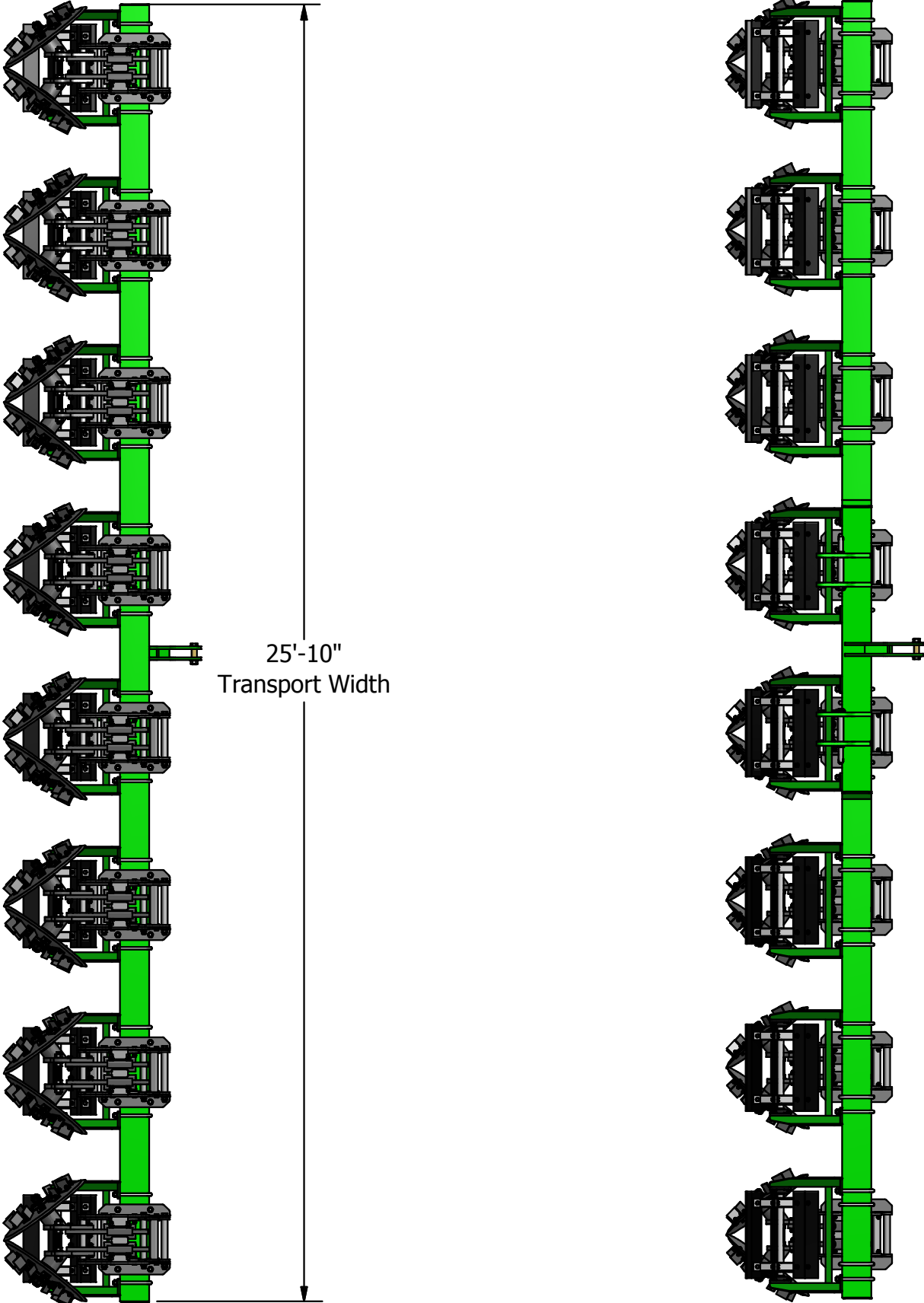


# 60840RP

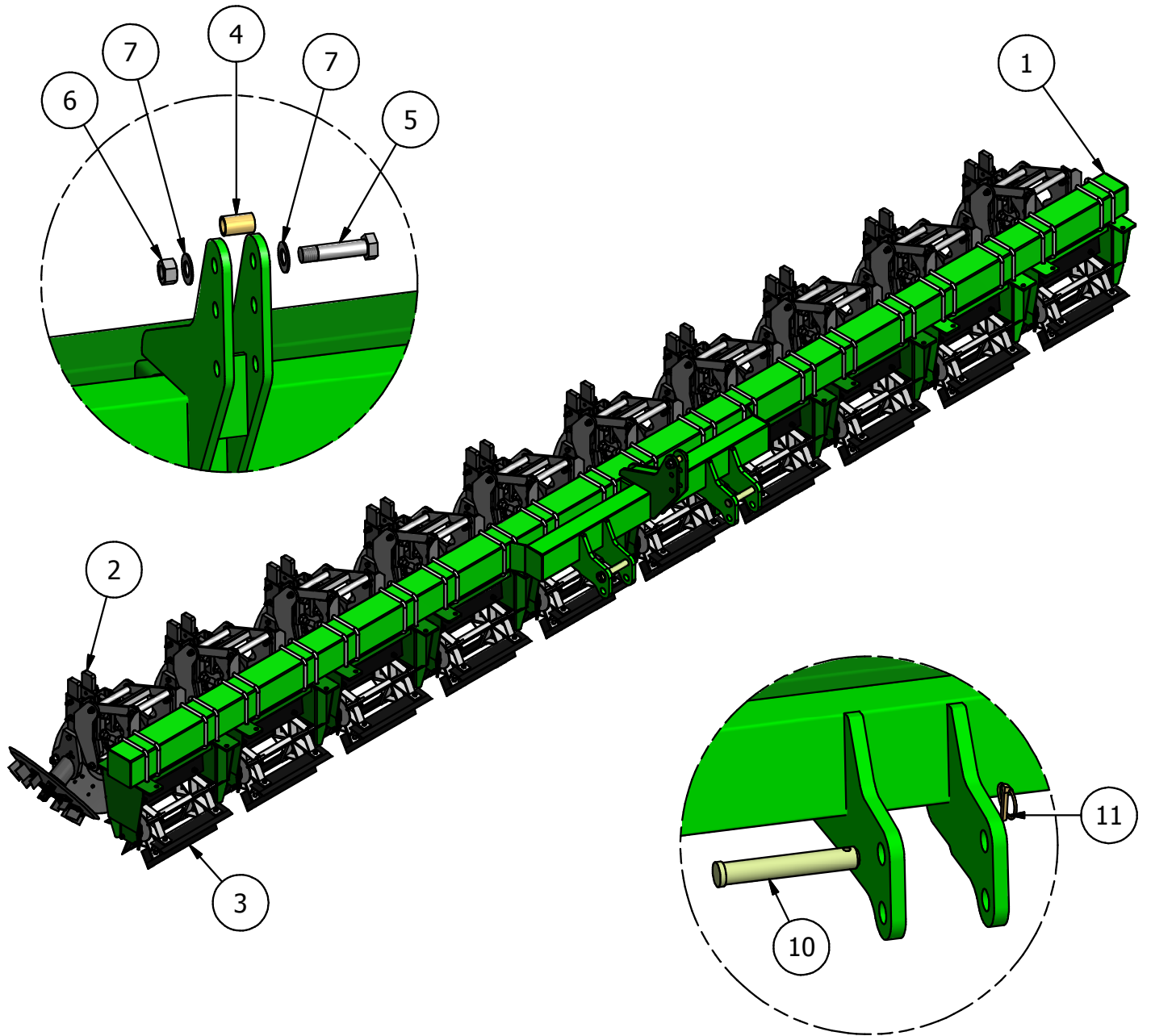


PARTS LIST				PARTS LIST			
ITEM	PART#	DESCRIPTION	QTY	ITEM	PART#	DESCRIPTION	QTY
1	11067	Toolbar 8 Row 40 Rigid	1	7	90112	1" Washer	2
2	11105	Parallel Linkage Row Unit	8	8	90113	Cat 2 and 3 Pin	2
3	11111	7 Blade Chopper Row Unit	8	9	90115	Lynch Pin 7/16" x 1-1/2"	2
4	90109	Top Link Bushing	1				
5	90110	1 x 4-3/8" Bolt	1				
6	90111	1in Deformed Nut	1				

# 60840RP

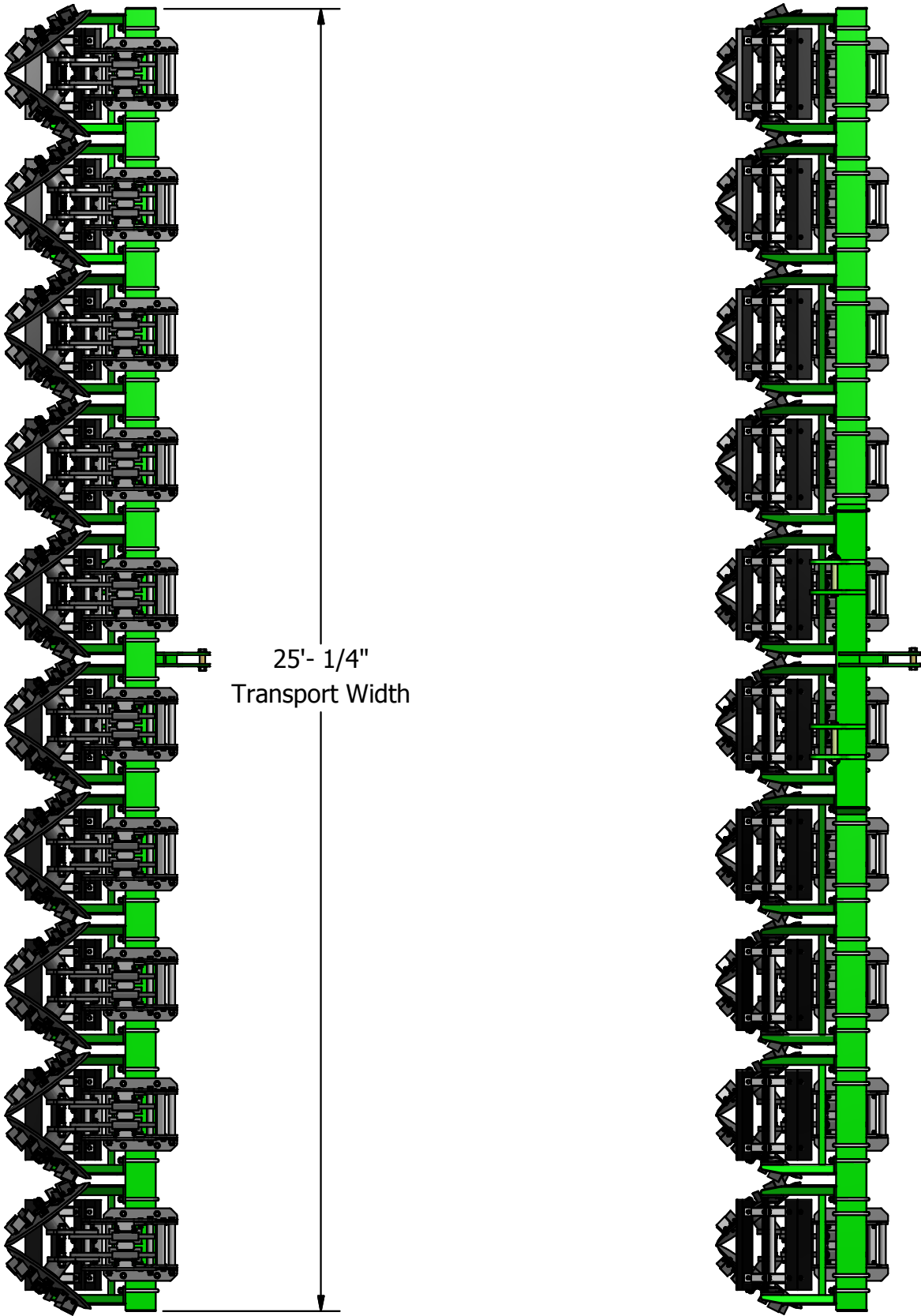


# 61030RP

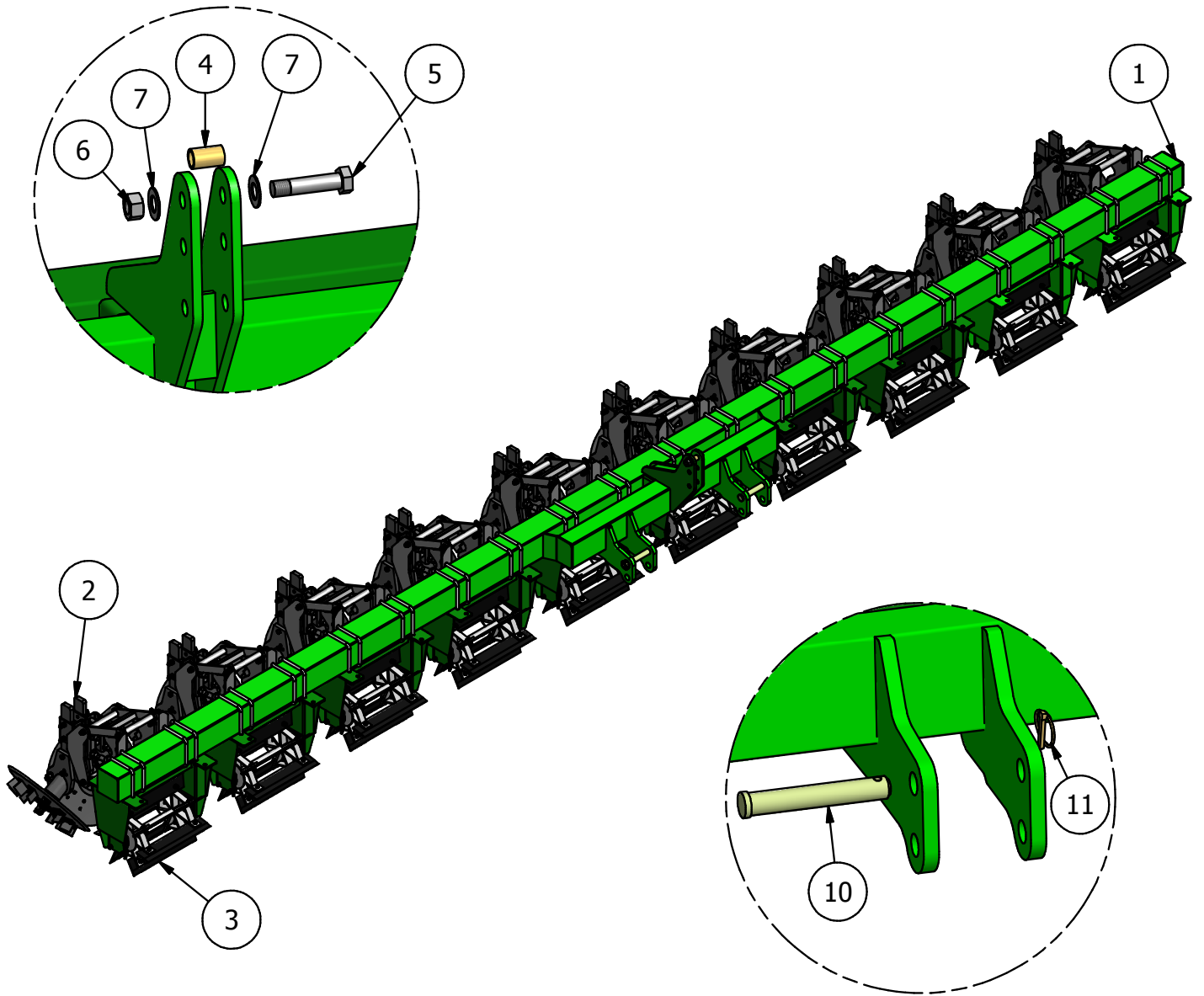


PARTS LIST				PARTS LIST			
ITEM	PART#	DESCRIPTION	QTY	ITEM	PART#	DESCRIPTION	QTY
1	11060	Toolbar 10 Row 30 Rigid	1	7	90112	1" Washer	2
2	11105	Parallel Linkage Row Unit	10	10	90114	Cat 3 pin	2
3	11111	7 Blade Chopper Row Unit	10	11	90116	Lynch Pin 7/16" x 1-3/4"	2
4	90109	Top Link Bushing	1				
5	90110	1 x 4-3/8" Bolt	1				
6	90111	1in Deformed Nut	1				

# 61030RP



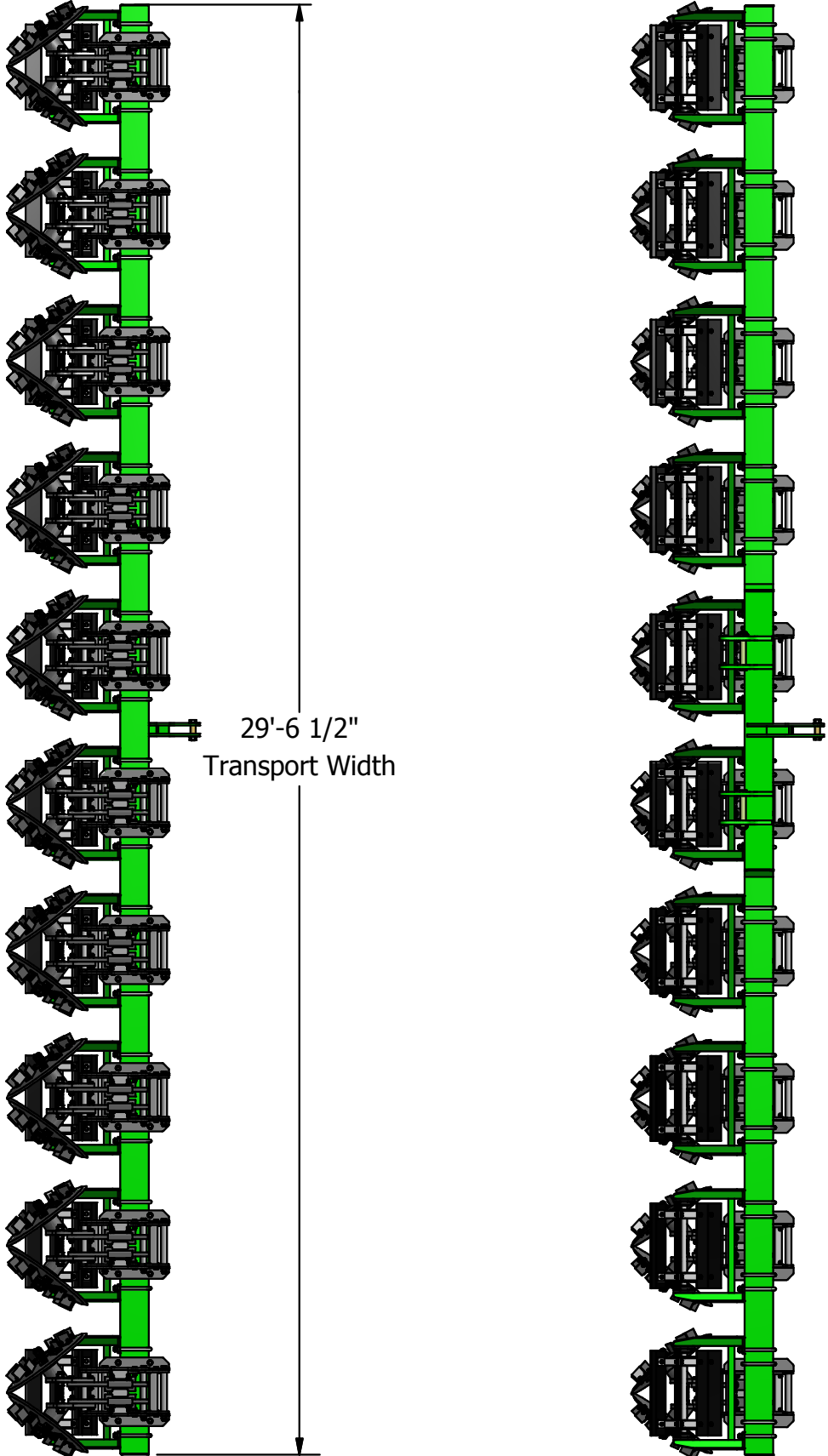
# 61036RP



PARTS LIST				PARTS LIST			
ITEM	PART#	DESCRIPTION	QTY	ITEM	PART#	DESCRIPTION	QTY
1	11065	Toolbar 10 Row 36 Rigid	1	7	90112	1" Washer	2
2	11105	Parallel Linkage Row Unit	10	10	90114	Cat 3 pin	2
3	11111	7 Blade Chopper Row Unit	10	11	90116	Lynch Pin 7/16" x 1-3/4"	2
4	90109	Top Link Bushing	1				
5	90110	1 x 4-3/8" Bolt	1				
6	90111	1in Deformed Nut	1				



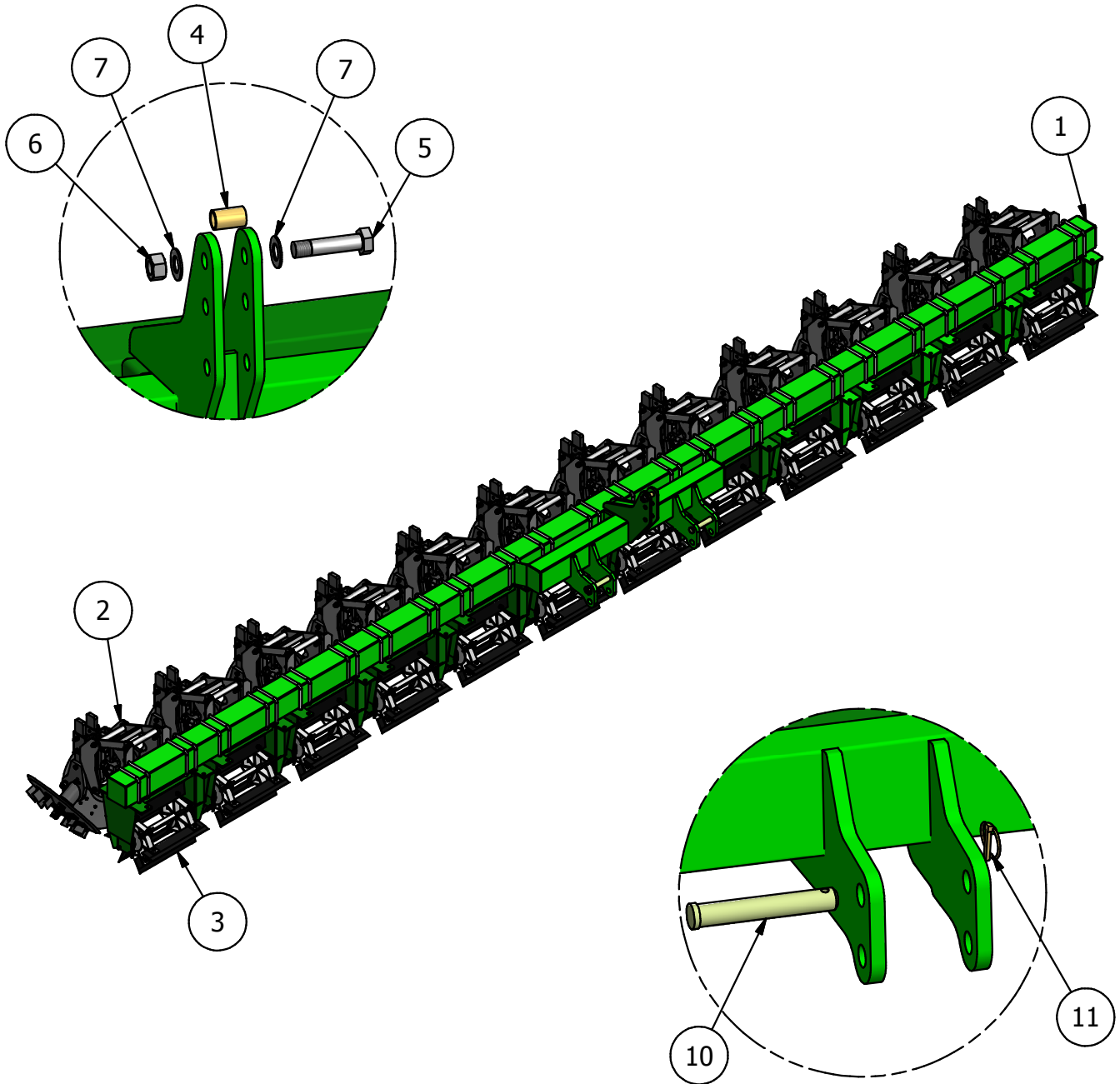
# 61036RP



29'-6 1/2"  
Transport Width



# 61230RP



PARTS LIST				PARTS LIST			
ITEM	PART#	DESCRIPTION	QTY	ITEM	PART#	DESCRIPTION	QTY
1	11061	Toolbar 12 Row 30 Rigid	1	7	90112	1" Washer	2
2	11105	Parallel Linkage Row unit	12	10	90114	Cat 3 pin	2
3	11111	7 Blade Chopper Row Unit	12	11	90116	Lynch Pin 7/16" x 1-3/4"	2
4	90109	Top Link Bushing	1				
5	90110	1 x 4-3/8" Bolt	1				
6	90111	1in Deformed Nut	1				

# 61230RP

