

Quality Built Since 1973



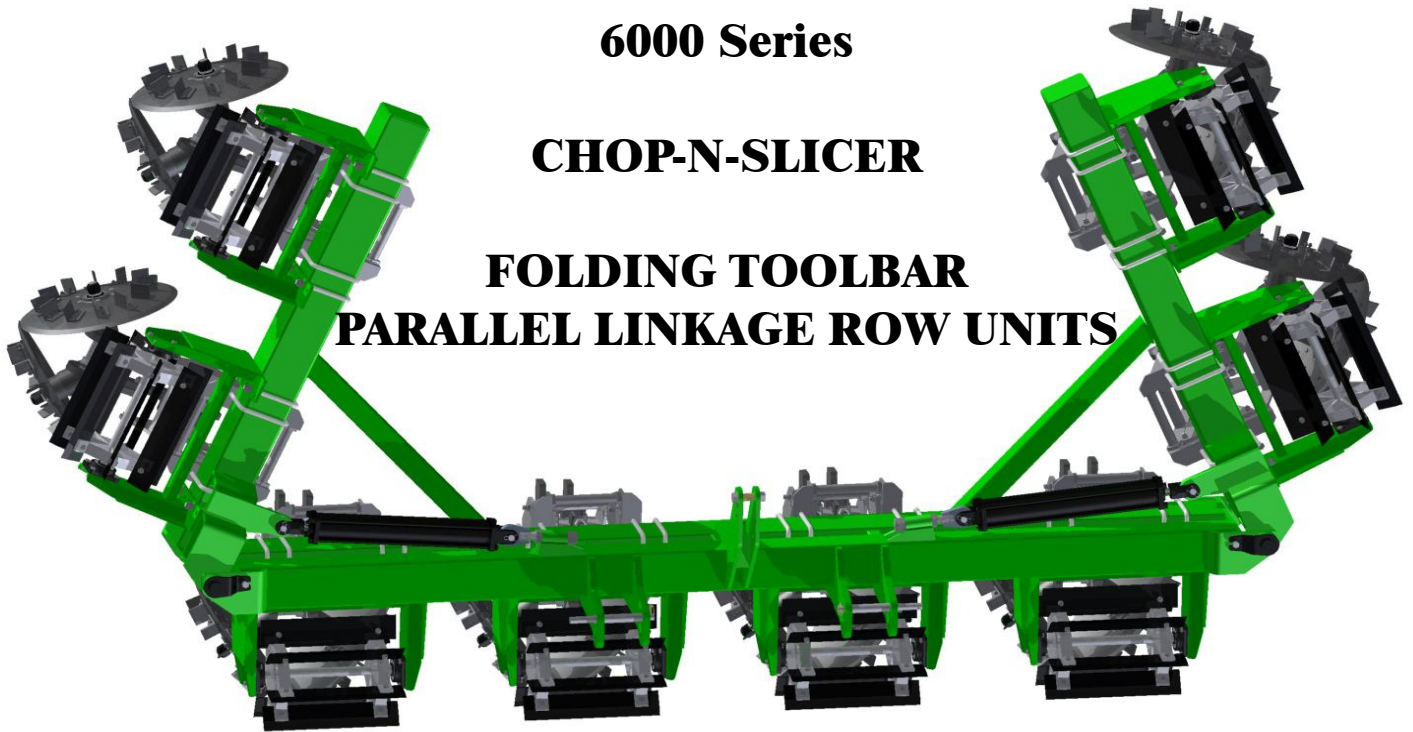
SETUP AND PARTS MANUAL

6000 Series

CHOP-N-SLICER

FOLDING TOOLBAR

PARALLEL LINKAGE ROW UNITS



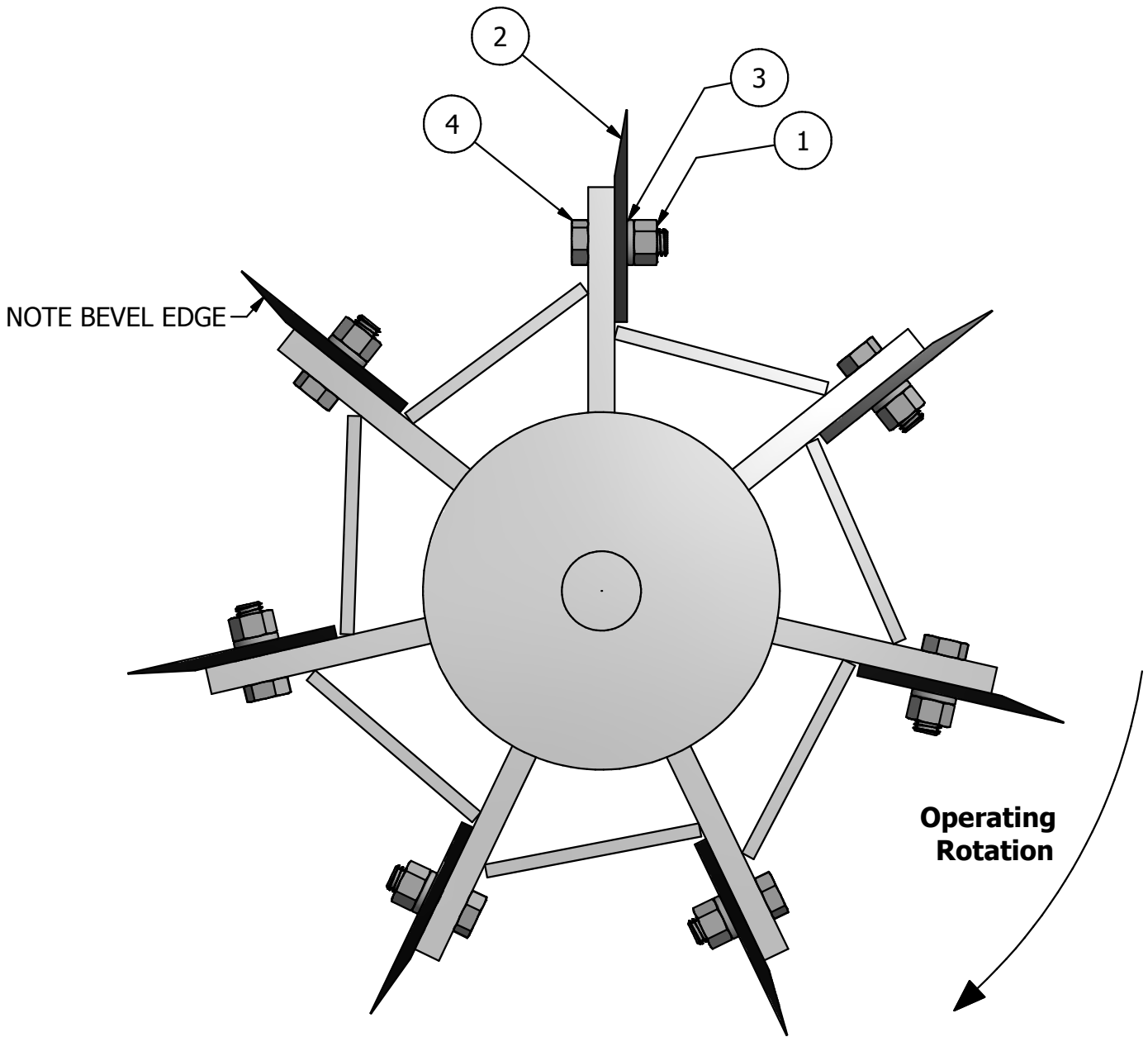
Model No's.

60430FP 4 Row 30" Spacing
60436FP 4 Row 36" Spacing
60438FP 4 Row 38" Spacing
60440FP 4 Row 40" Spacing
60630FP 4 Row 30" Spacing
60636FP 6 Row 36" Spacing
60638FP 6 Row 38" Spacing
60640FP 6 Row 40" Spacing
60830FP 8 Row 30" Spacing
60836FP 8 Row 36" Spacing

Model No's.

60838FP 8 Row 38" Spacing
60840FP 8 Row 40" Spacing
61030FP 10 Row 30" Spacing
61036FP 10 Row 36" Spacing
61038FP 10 Row 38" Spacing
61040FP 10 Row 40" Spacing
61230FP 12 Row 30" Spacing
61236FP 12 Row 36" Spacing
61238FP 12 Row 38" Spacing
61240FP 12 Row 40" Spacing
61630FP 16 Row 30" Spacing

**10305
7 BLADE CHOPPER ROW UNIT**

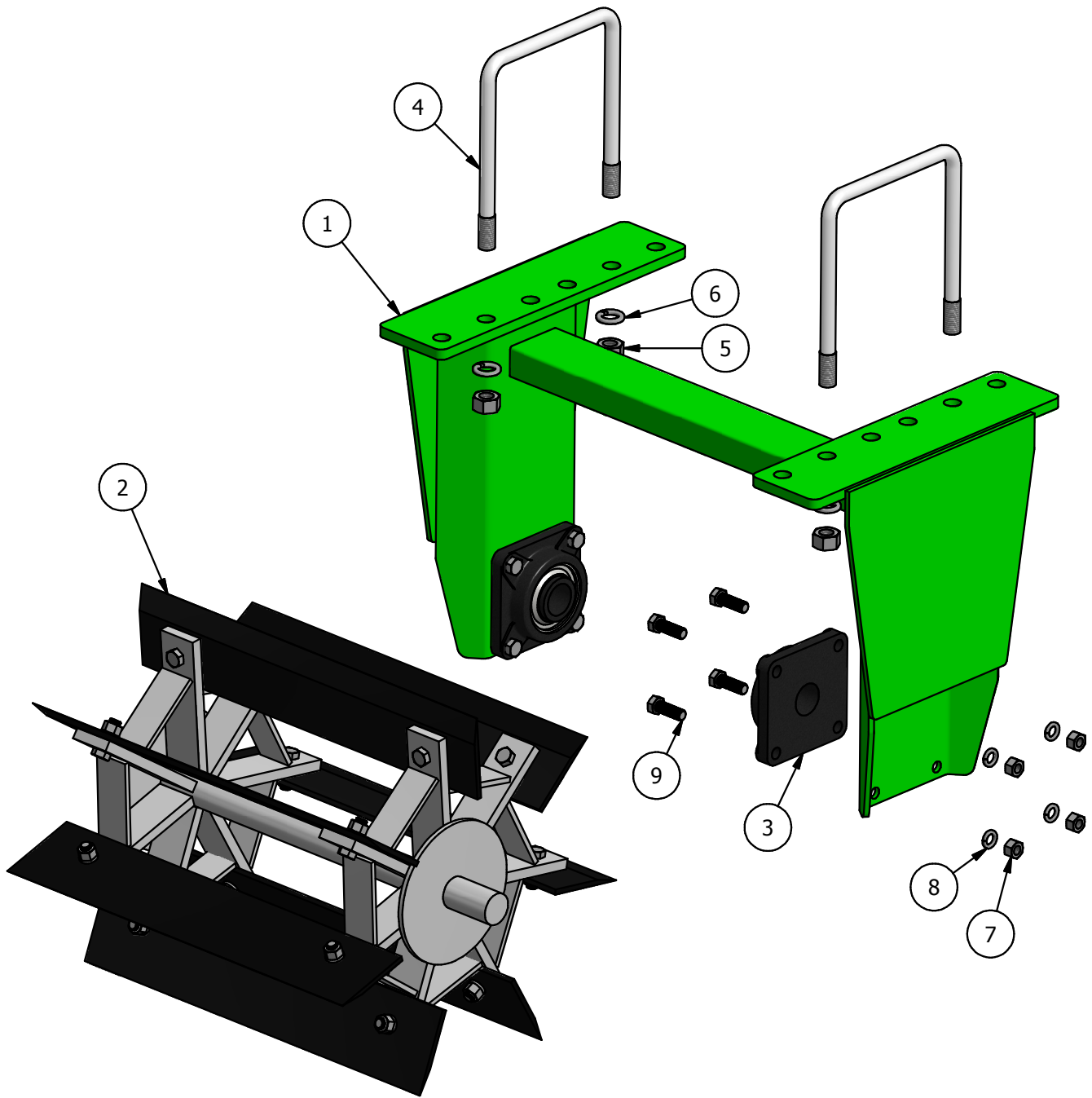


7 BLADE SPIDER/BLADE ASSEMBLY

PARTS LIST

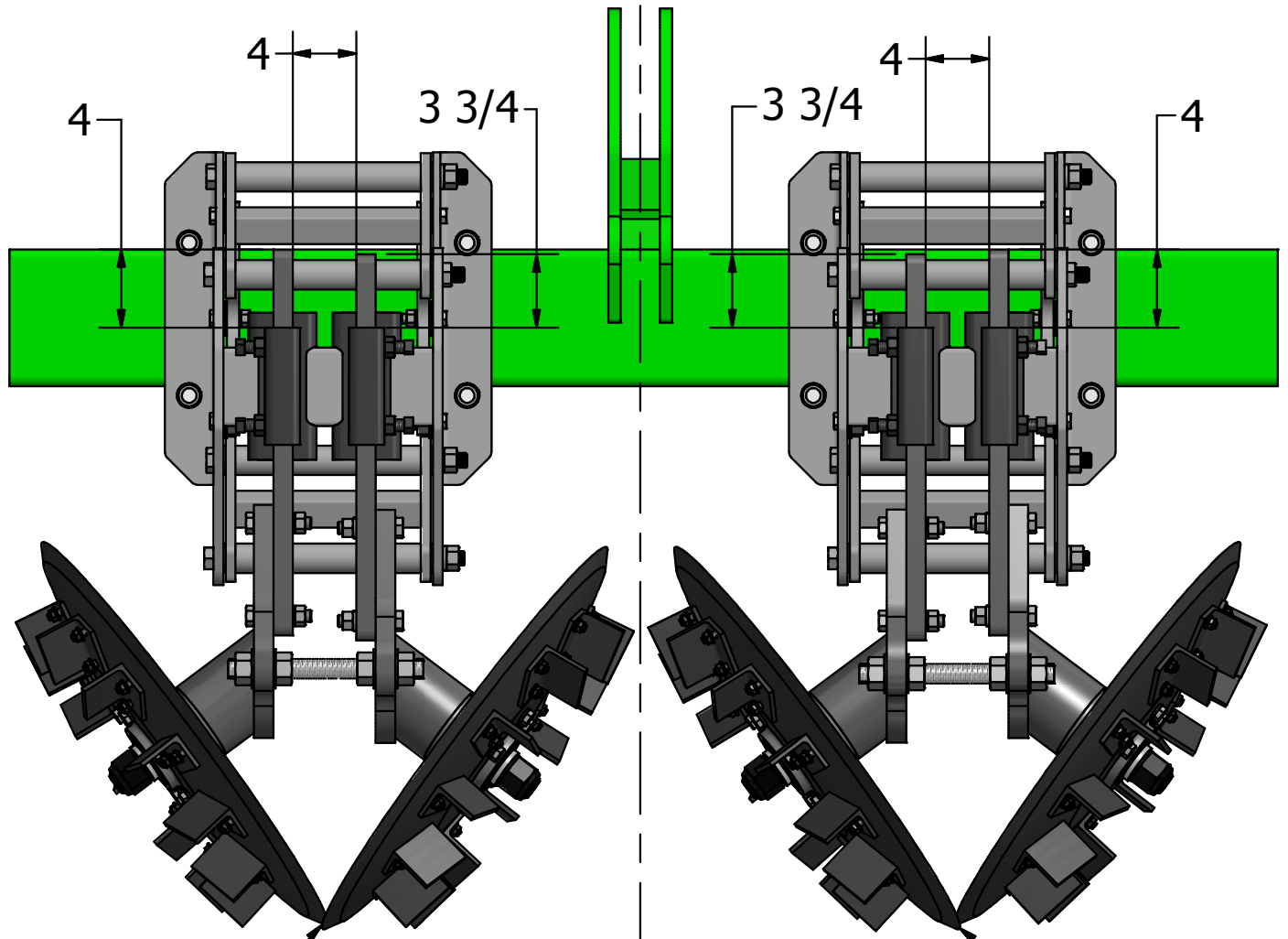
ITEM	PART #	DESCRIPTION	QTY
1	90138	1/2" nut	14
2	10603	Stalk Chopper Blade	7
3	90134	1/2" Lock Washer	14
4	90136	1/2" x 1-1/2" Bolt	14

11111 7 BLADE CHOPPER ROW UNIT



PARTS LIST				PARTS LIST			
ITEM	PART #	DESCRIPTION	QTY	ITEM	PART #	DESCRIPTION	QTY
1	10118	Chopper Frame Assy	1	6	90158	3/4" Lock Washer	4
2	10305	Rotor 7 Blade Assy	1	7	90138	1/2" nut	8
3	10520	Bearing and Lock Collar	2	8	90134	1/2" Lock Washer	8
4	90140	U-bolt 3/4" x 7 5/16 x 9	2	9	90136	1/2" x 1-1/2" Bolt	8
5	90160	3/4" nut	4				

BLADE SETUP - PARALLEL LINKAGE ROW UNITS



Overlap 1/4"

LEFT SIDE
OF MACHINE

CENTER
OF
MACHINE

RIGHT SIDE
OF MACHINE

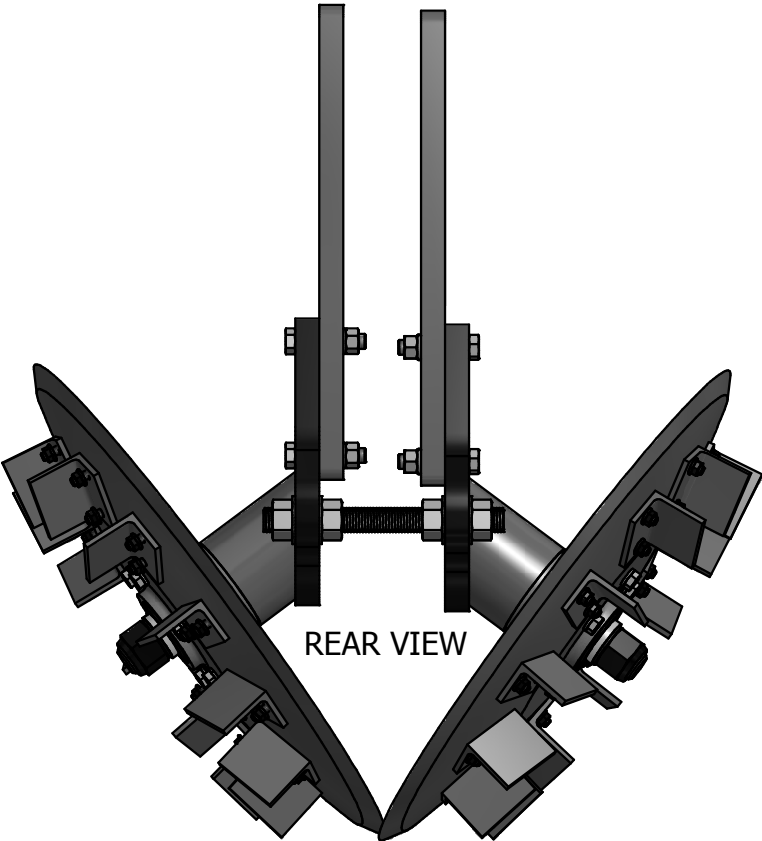
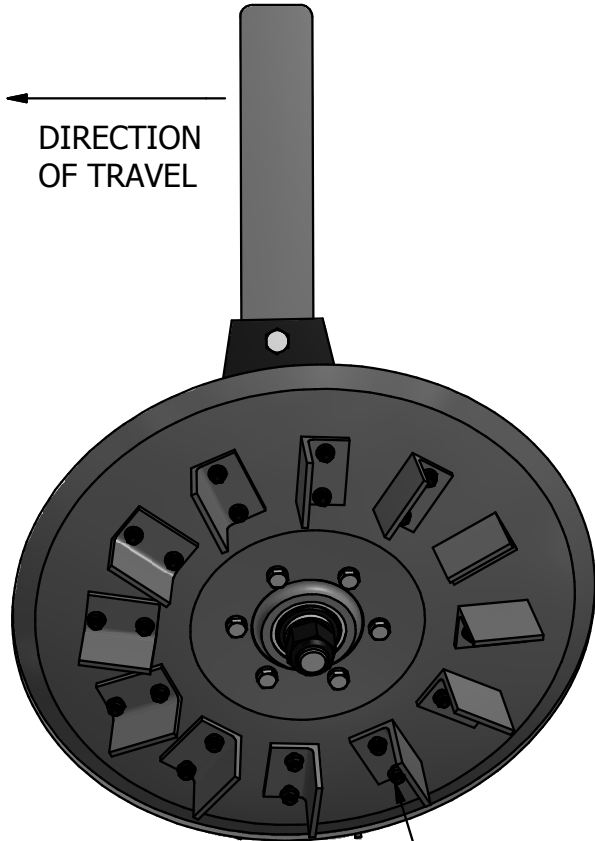
Overlap 1/4"

BLADES ON LEFT
SIDE SHOULD ALL BE
SET IN THIS MANOR

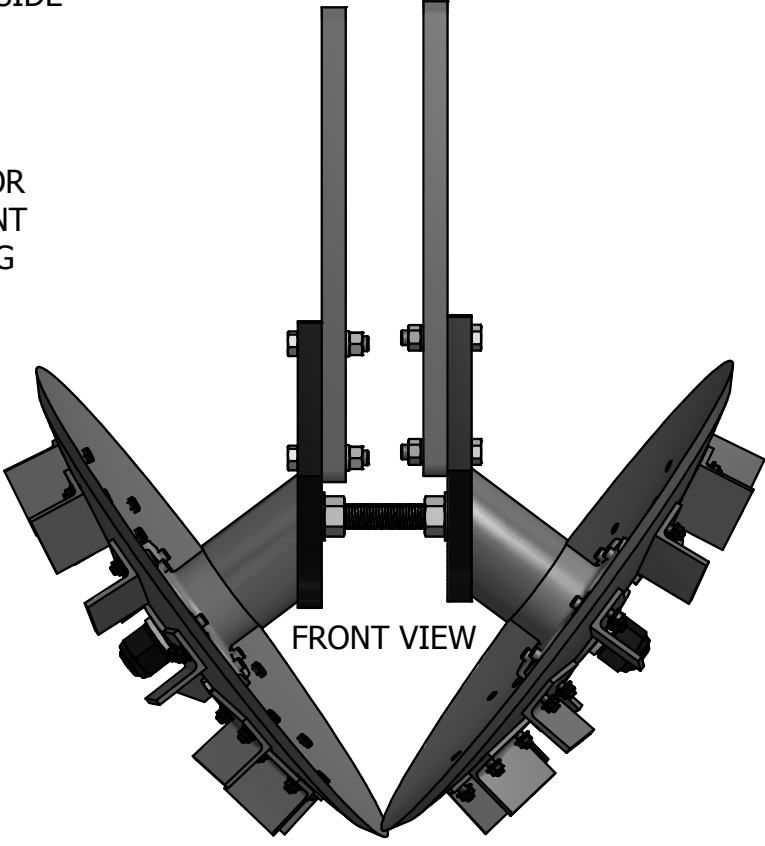
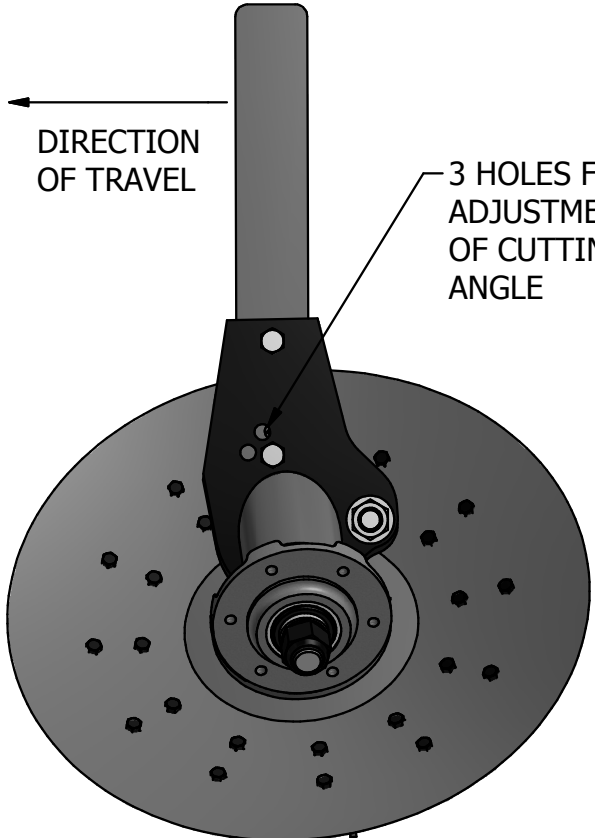
BLADES ON RIGHT
SIDE SHOULD ALL BE
SET IN THIS MANOR

VIEW FROM
REAR OF MACHINE

BLADE SETUP



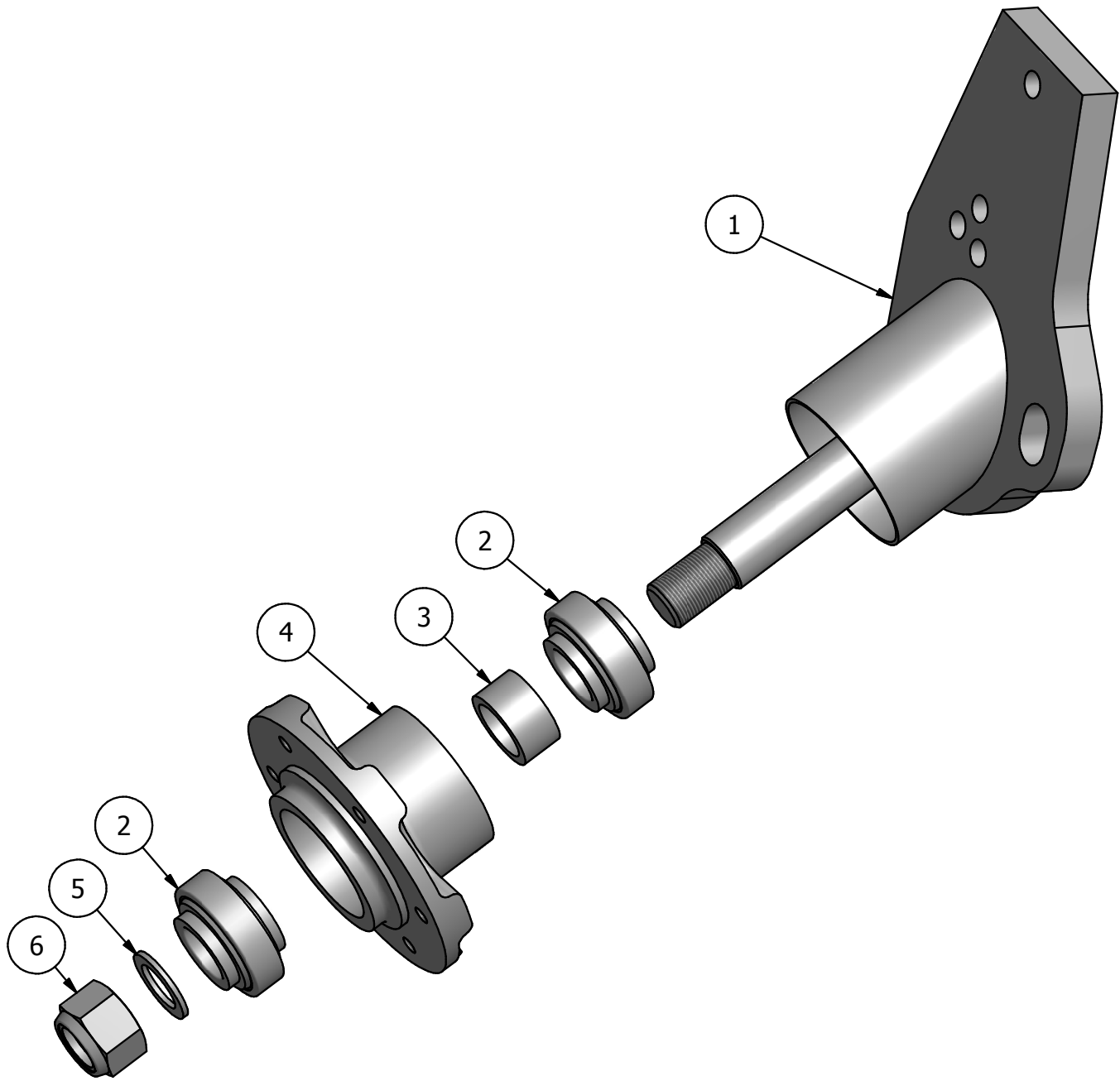
WASHER & NUT
ON ANGLE SIDE



3 HOLES FOR
ADJUSTMENT
OF CUTTING
ANGLE

LEFT BLADE REMOVED

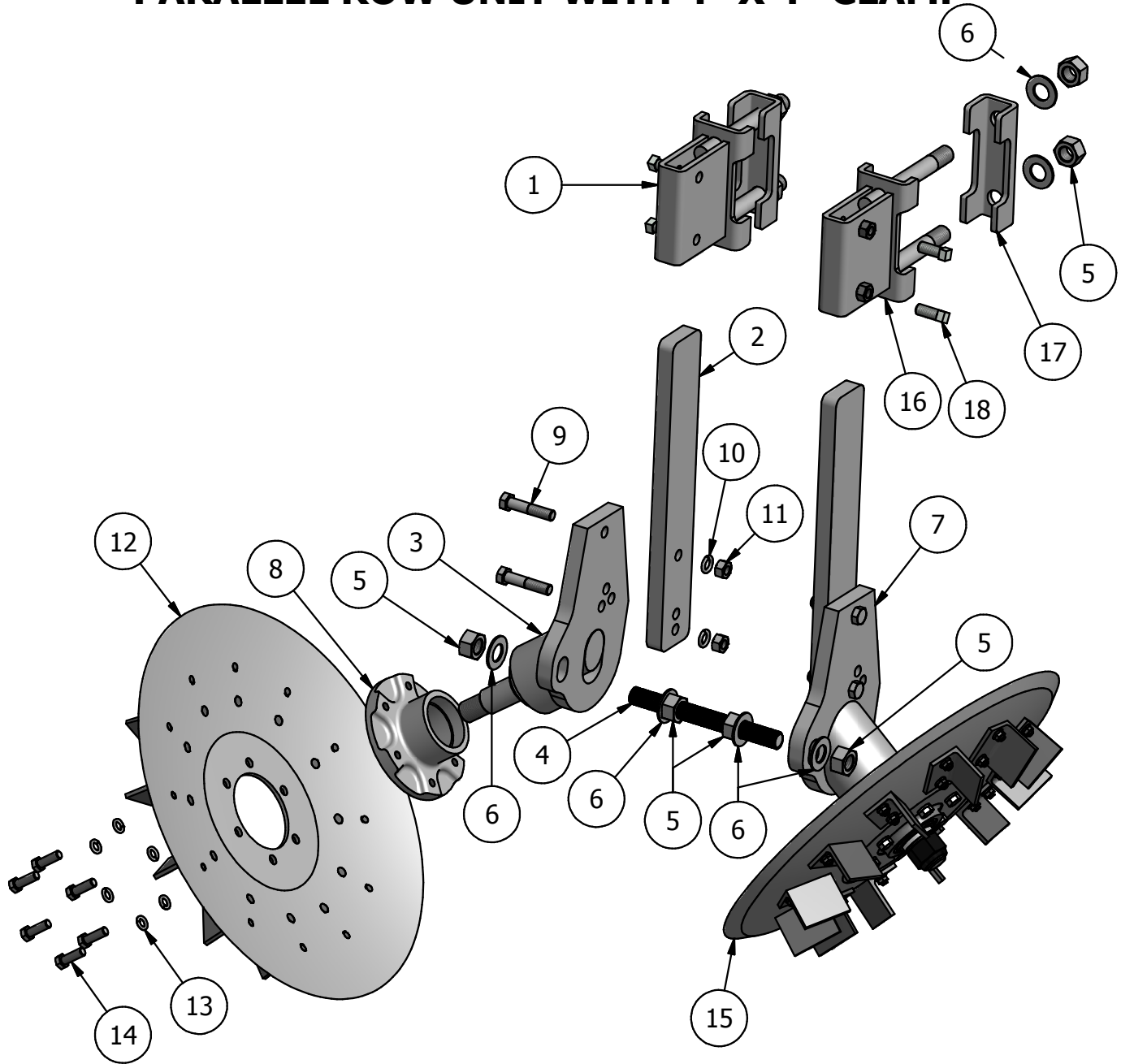
BEARING AND HUB ASSEMBLY



PARTS LIST

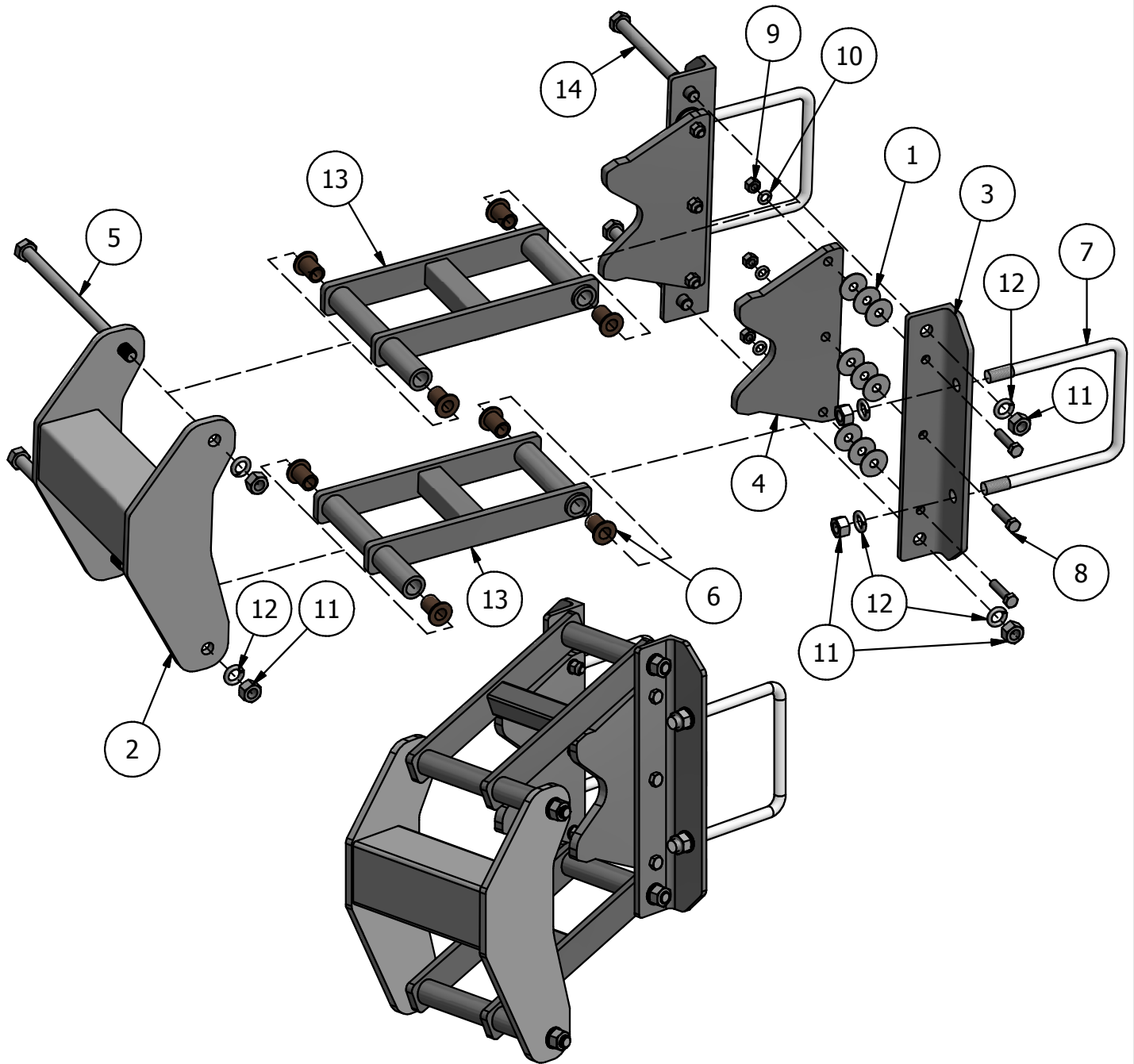
ITEM	PART #	DESCRIPTION	QTY
1	11151	Axle Weldment Left Hand	1
2	90310	Sealed Bearing	2
3	11130	Spacer Sealed Bearing Hub	1
4	11140	Hub	1
5	90311	1-1/4" Machine Washer	1
6	90312	1-1/4" Nylock Fine Thread Nut	1

11039 PARALLEL ROW UNIT WITH 4" X 4" CLAMP



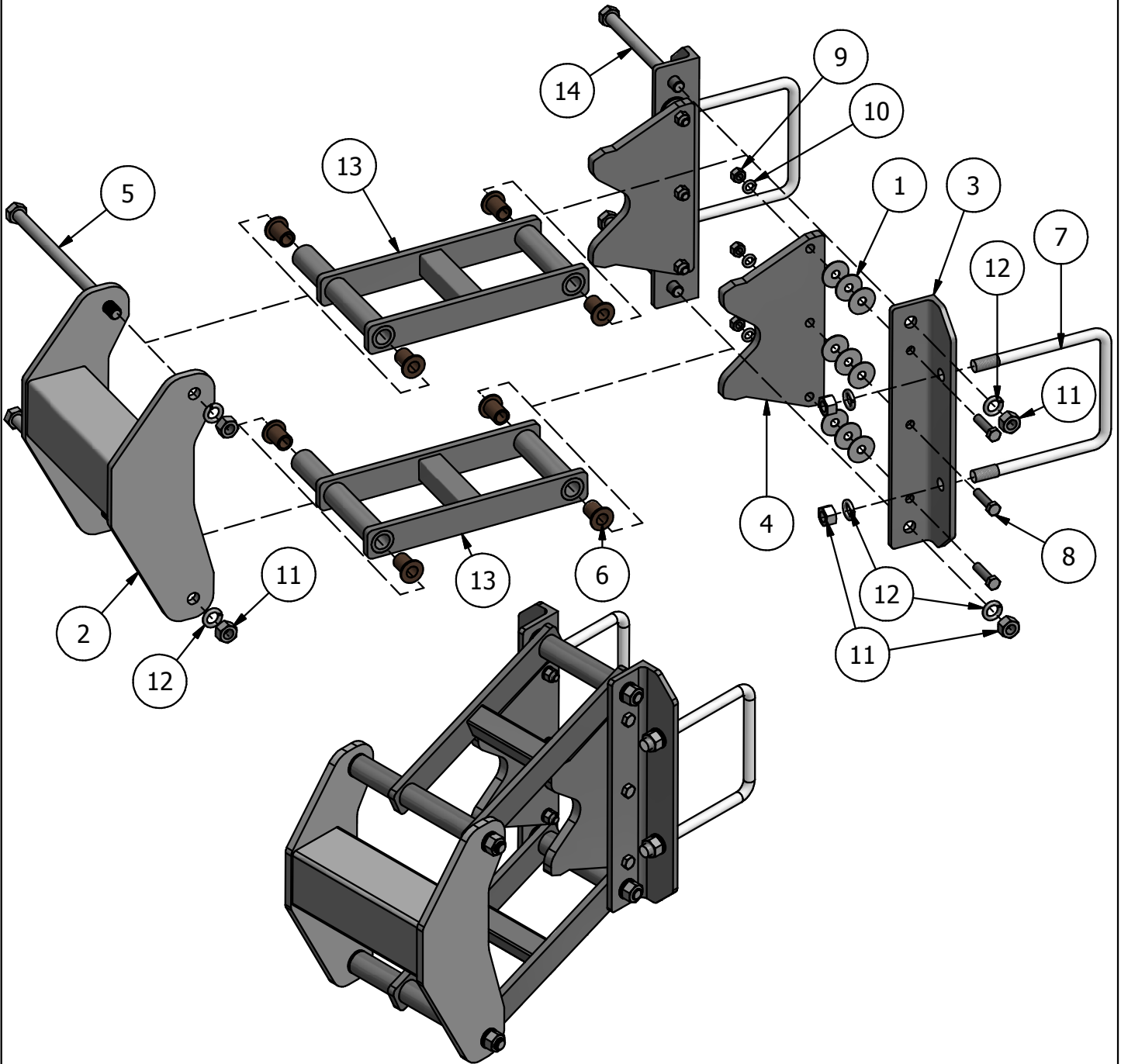
PARTS LIST				PARTS LIST			
ITEM	PART #	DESCRIPTION	QTY	ITEM	PART #	DESCRIPTION	QTY
1	11019	4 x 4 Clamp Complete	2	10	90123	5/8" Lock Washer	4
2	11012	Vert. Height Bar	2	11	90137	5/8" Nut	4
3	11151	Axle Weldment Left	1	12	11002	Left Disc with Angles	1
4	90331	1" Threaded Rod	1	13	90134	1/2" Lock Washer	12
5	90148	1" Nut	8	14	90337	1/2" x 1-1/2" Bolt FT	12
6	90112	1" Washer	8	15	11001	Right Disc with Angles	1
7	11152	Axle Weldment Right	1	16	11020	Vert. Clamp Weldment	1
8	11140	Hub	2	17	11024	Front Clamp	1
9	90151	5/8" x 3" Bolt	4	18	90412	5/8" x 1-1/2" sq. hd bolt	4

11041 Parallel Row Unit with 4" x 4" Clamp- Right Offset



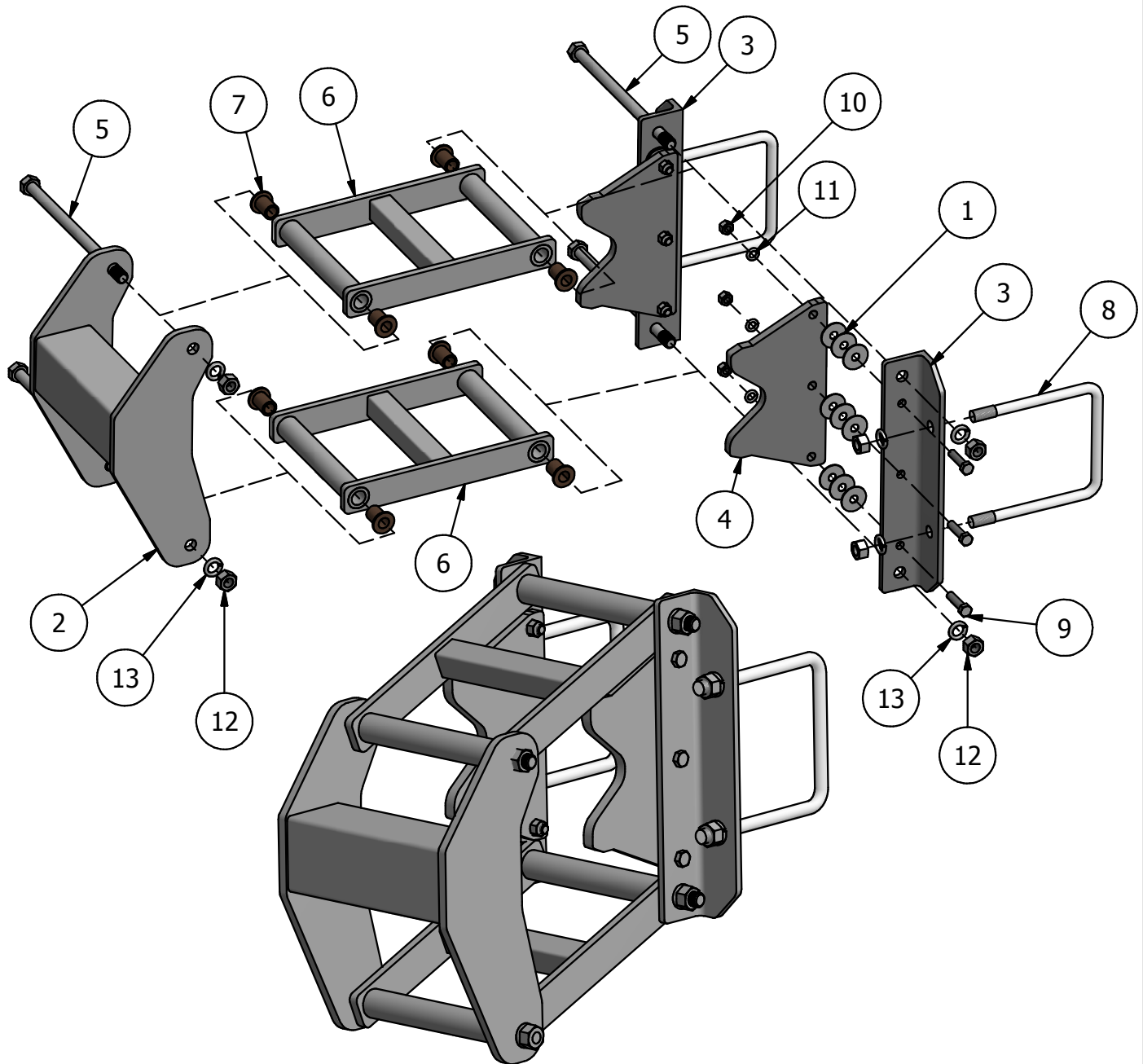
PARTS LIST				PARTS LIST			
ITEM	PART#	DESCRIPTION	QTY	ITEM	PART#	DESCRIPTION	QTY
1	11112	Fender Washer	18	8	90229	1/2" x 2" Bolt	6
2	11035	4" Toolbar Weldment	1	9	90138	1/2" nut	6
3	11050	Front Angle Reverse Mount	2	10	90134	1/2" Lock Washer	6
4	11104	Stop Plate -Camel Hump	2	11	90160	3/4" nut	8
5	11047	3/4" x 12-7/8" Bolt	2	12	90158	3/4" Lock Washer	8
6	90332	Bushing	8	13	11027	Narrow Parallel Linkage	2
7	90139	U-bolt 3/4" x 7 1/8" x 9	2	14	90145	3/4" x 9" Bolt	2

11043 Parallel Row Unit with 4" x 4" Clamp Left Offset



PARTS LIST				PARTS LIST			
ITEM	PART#	DESCRIPTION	QTY	ITEM	PART#	DESCRIPTION	QTY
1	11112	Fender Washer	18	8	90229	1/2" x 2" Bolt	6
2	11035	4" Toolbar Weldment	1	9	90138	1/2" nut	6
3	11050	Front Angle Reverse Mount	2	10	90134	1/2" Lock Washer	6
4	11104	Stop Plate -Camel Hump	2	11	90160	3/4" nut	8
5	11047	3/4" x 12-7/8" Bolt	2	12	90158	3/4" Lock Washer	8
6	90332	Bushing	8	13	11027	Narrow Parallel Linkage	2
7	90139	U-bolt 3/4" x 7 1/8" x 9	2	14	90145	3/4" x 9" Bolt	2

11045 PARALLEL ROW UNIT WITH 4" X 4" CLAMP



PARTS LIST				PARTS LIST			
ITEM	PART #	DESCRIPTION	QTY	ITEM	PART #	DESCRIPTION	QTY
1	11112	Fender Washer	18	8	90139	U-bolt 3/4" x 7 1/8" x 9	2
2	11035	4" Toolbar Weldment	1	9	90229	1/2" x 2" Bolt	6
3	11050	Front Angle Reverse Mount	2	10	90138	1/2" nut	6
4	11104	Stop Plate -Camel Hump	2	11	90134	1/2" Lock Washer	6
5	11047	3/4" x 12-7/8"	4	12	90160	3/4" nut	8
6	11026	Parallel Linkage	2	13	90158	3/4" Lock Washer	8
7	90332	Bushing	8				

Wing Hydraulic Plumbing All Models

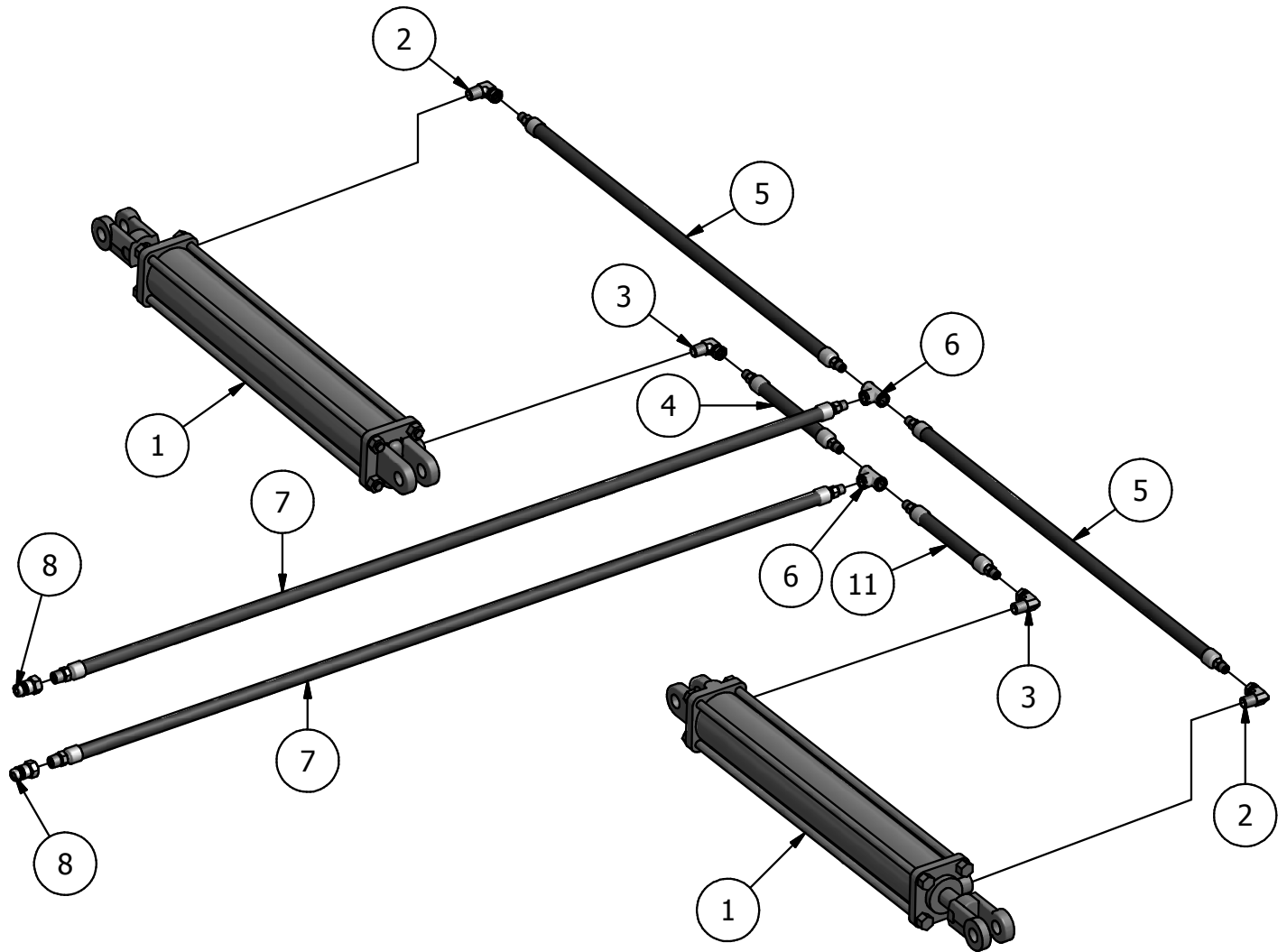


TABLE				TABLE			
ITEM	PART#	DESCRIPTION	QTY	ITEM	PART#	DESCRIPTION	QTY
1		Hyd. Cylinder		4	10993	61040/61240	2
	3-1/2"x24"	60830/60836/60838/60840	2		10995	61630	2
	4" x 24"	61030/61036/61038/61040	2	5	10984	60830	2
	4" x 24"	61230/61236/61238/61240	2		10986	60836	2
	5" x 24"	61630	2		10835	60838	2
2	90198	90 Elbow swivel with Orifice	2		10988	60840	2
3	90285	90 Elbow swivel	2		10990	61030/61230	2
4	10983	60830	2		10992	61036/61236	2
	10985	60836	2		10834	61038/61238	2
	10837	60838	2		10994	61040/61240	2
	10987	60840	2		10996	61630	2
	10989	61030/61230	2	6	90239	Female Pipe Tee	2
	10991	61036/61236	2	7	10748	All Machines	2
	10836	61038/61238	2	8	90245	Pioneer Coupling	2

Wing Hinge Assembly All Models

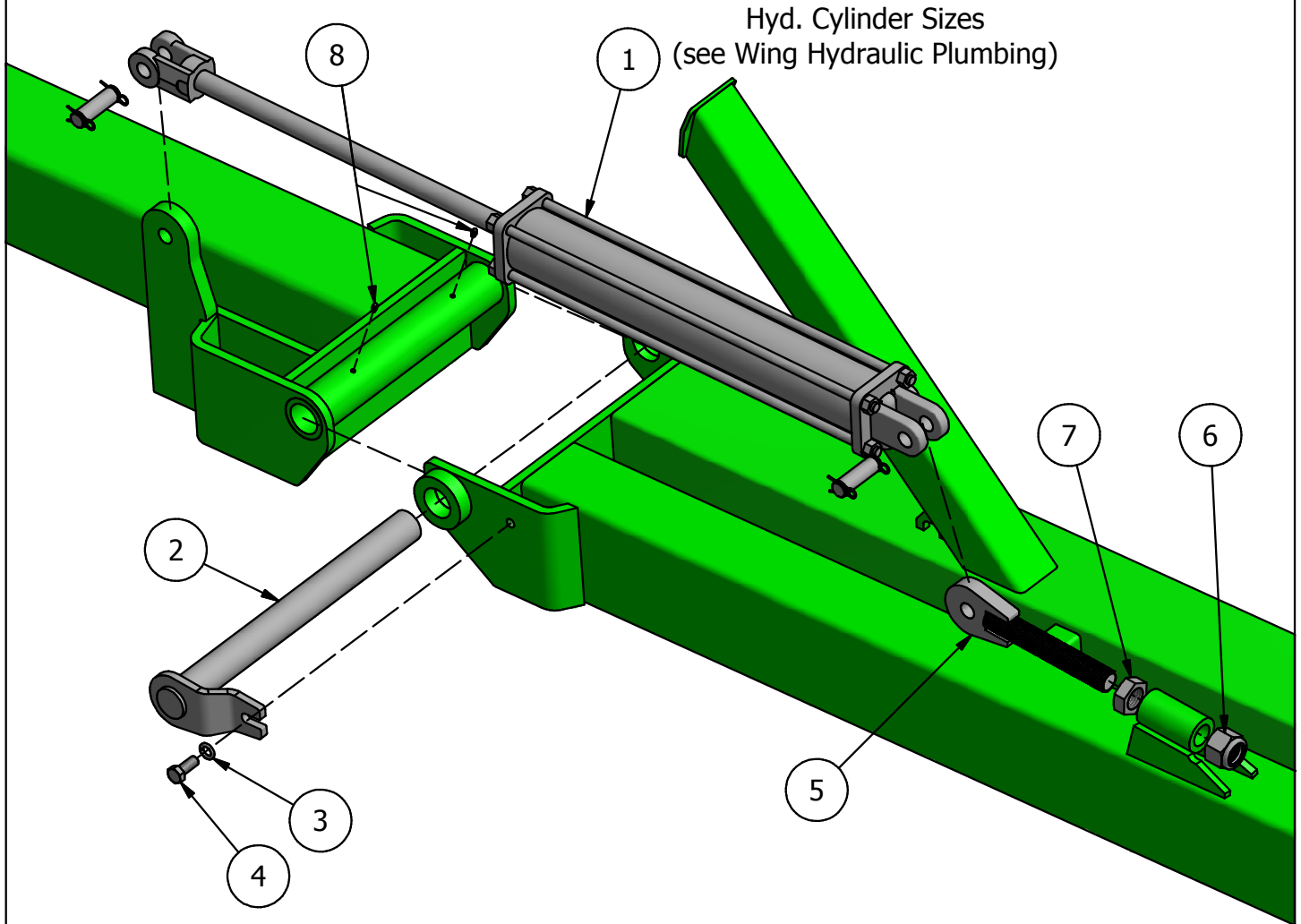
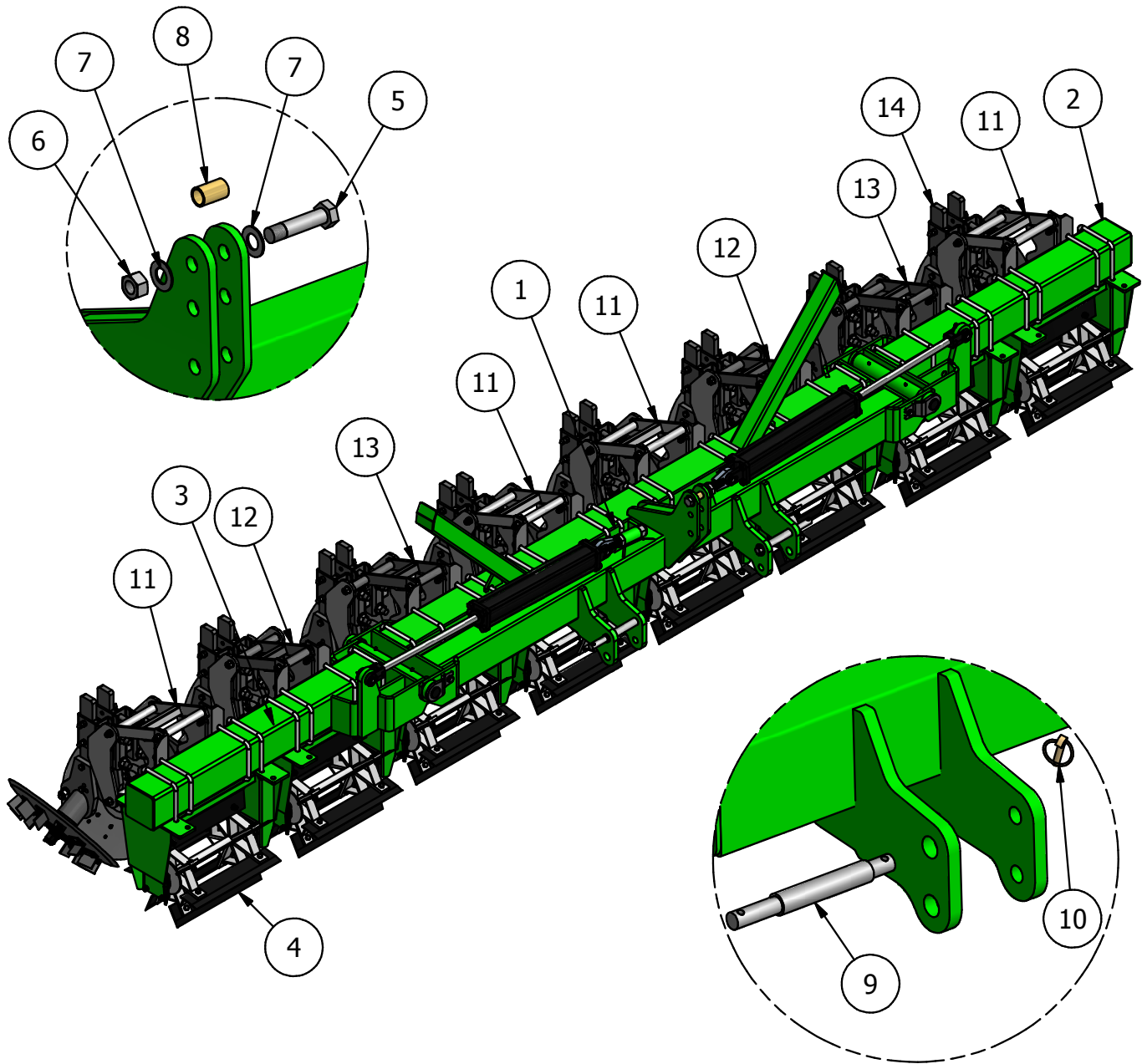


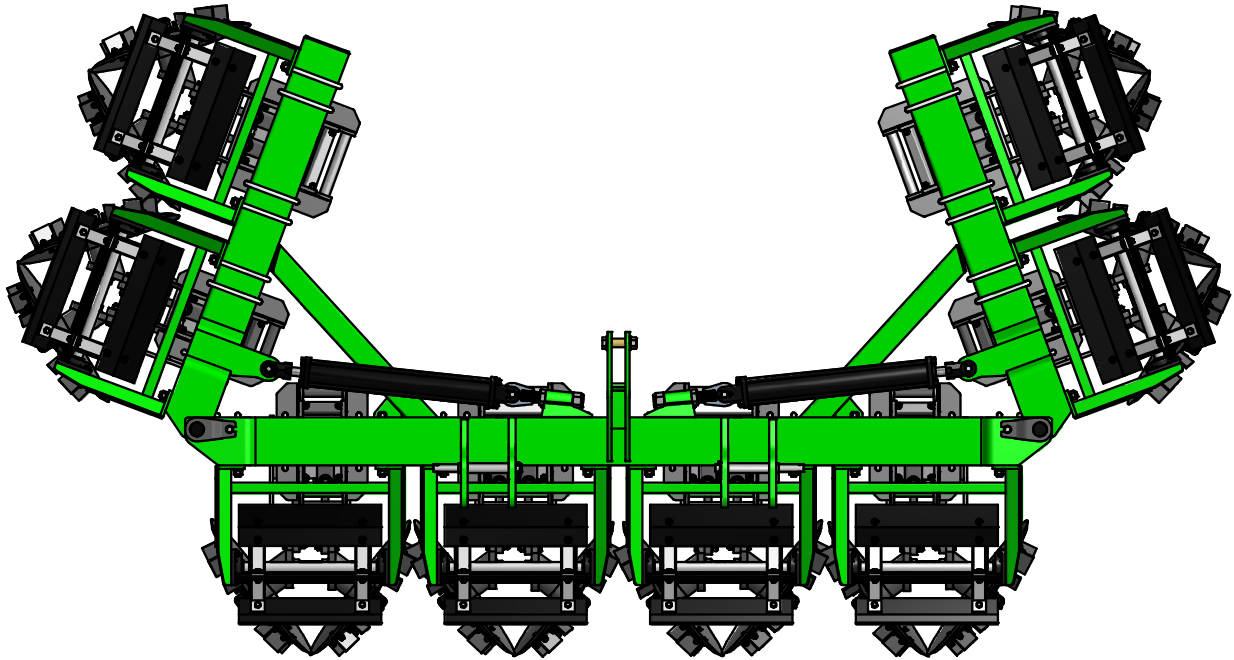
TABLE				TABLE			
ITEM	PART#	DESCRIPTION	QTY	ITEM	PART#	DESCRIPTION	QTY
1		Hyd. Cylinder		5	10919	Link pin	2
2	11097	Hinge Pin	2	6	90445	1-3/8" Nylock Nut	2
3	90123	5/8" Lock Washer	2	7	90446	1-3/8" Jam Nut	2
4	90153	1-1/2"x 5/8" Bolt	2	8	90101	1/4" Grease Zerk	4

60830FP



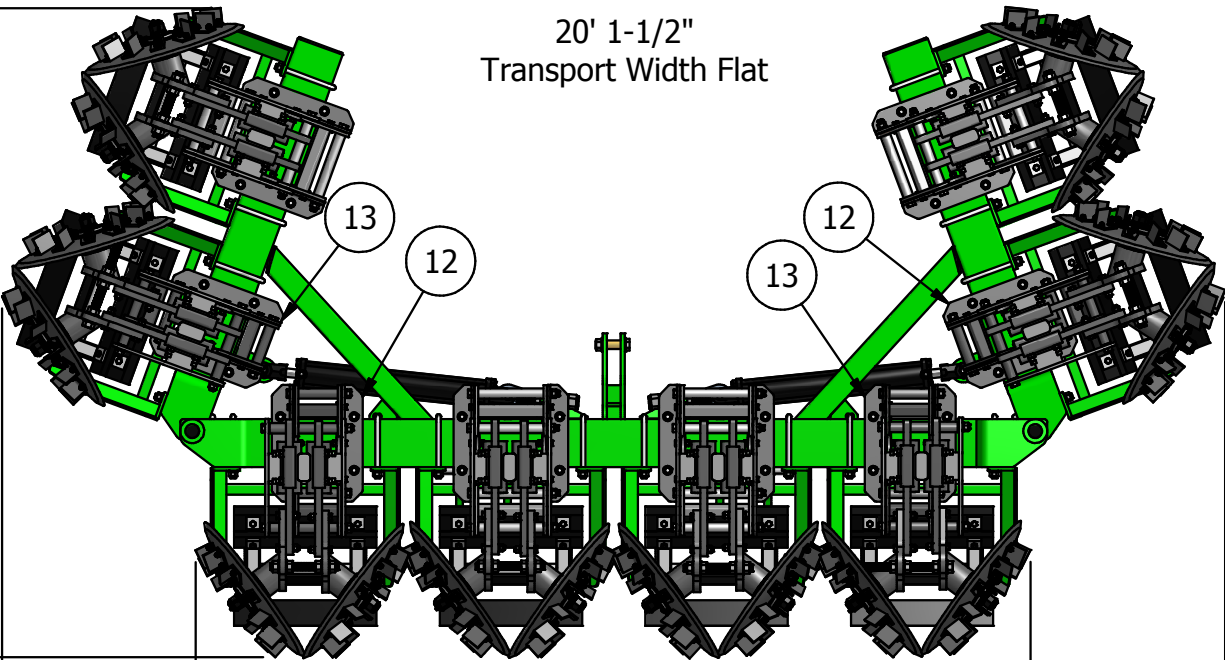
PARTS LIST				PARTS LIST			
ITEM	PART#	DESCRIPTION	QTY	ITEM	PART#	DESCRIPTION	QTY
1	11068	Toolbar 8 row 30 Folding	1	8	90109	Top Link Bushing	1
2	11076L	2 row 30 Wing Left	1	9	90113	Cat 2 and 3 Pin	2
3	11076R	2 row 30 Wing Right	1	10	90115	Lynch Pin 7/16" x 1-1/2"	2
4	11111	7 Blade Chopper Row Unit	8	11	11045	Parallel Linkage	4
5	90110	1 x 4-3/8" Bolt	1	12	11043	Parallel Linkage Left Offset	2
6	90111	1in Deformed Nut	1	13	11041	Parallel Linkage Right Offset	2
7	90112	1" Washer	2	14	11039	Parallel Row Unit	8

60830FP



7'-10 1/2"
Transport Height Folded

20' 1-1/2"
Transport Width Flat



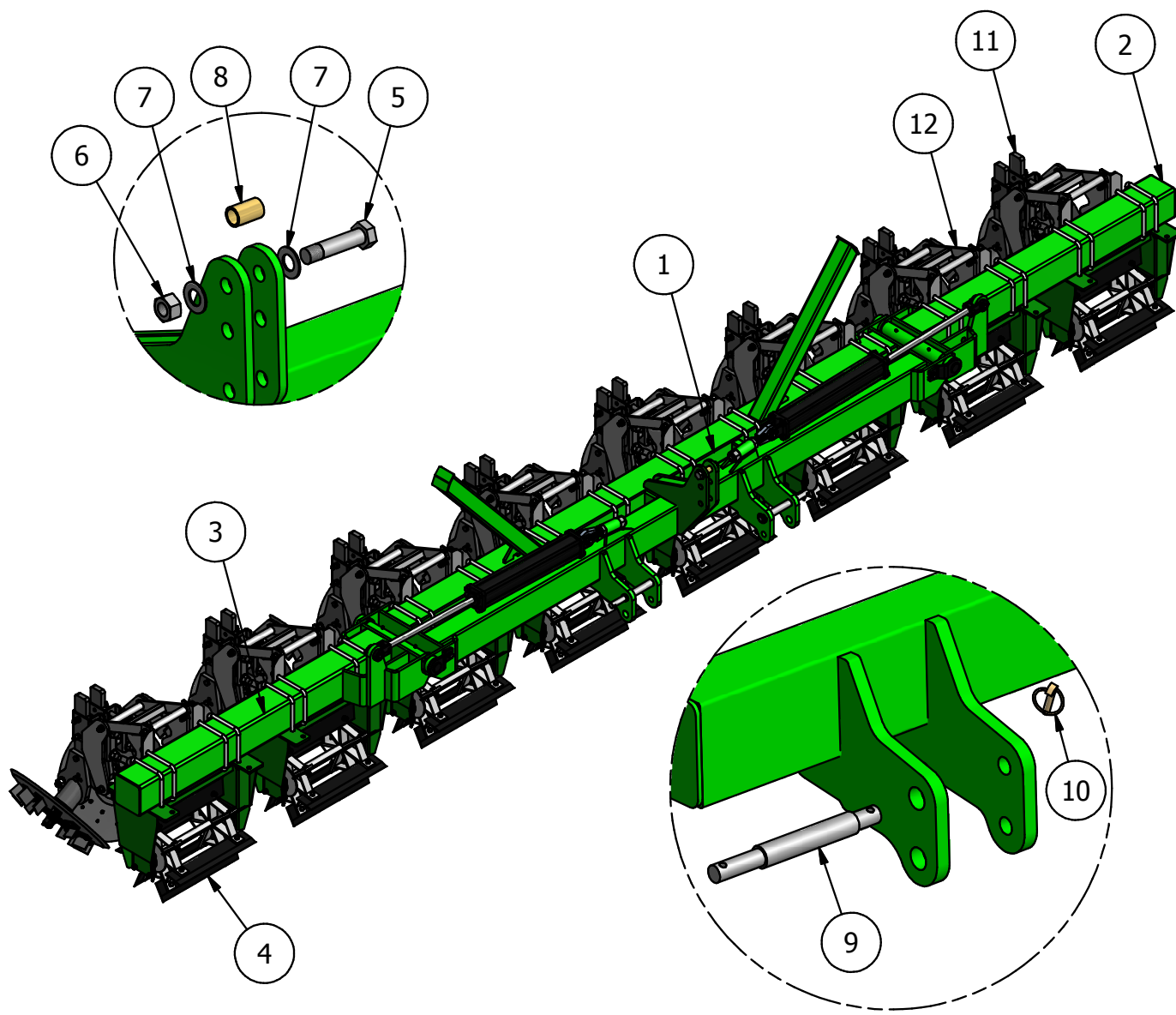
10'-1 13/16"

Base Width

14'-10 7/16"

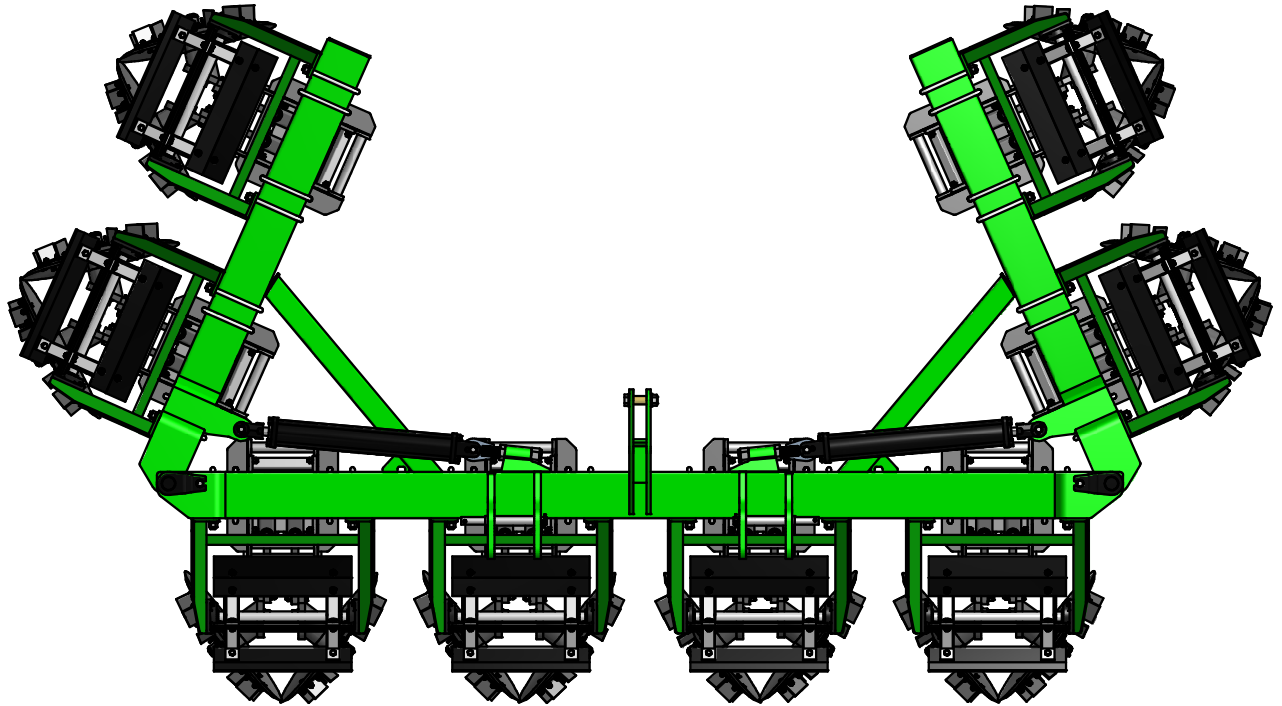
Transport Width Folded

60836FP



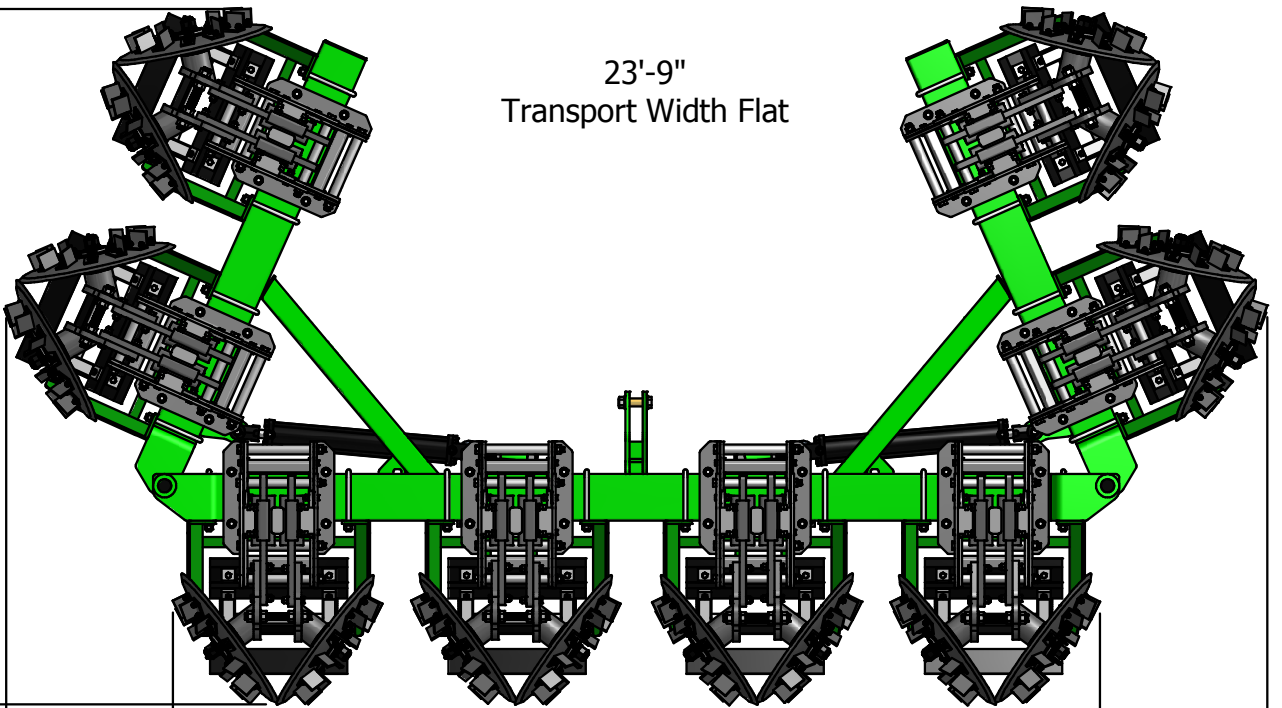
PARTS LIST				PARTS LIST			
ITEM	PART#	DESCRIPTION	QTY	ITEM	PART#	DESCRIPTION	QTY
1	11071	Toolbar 8 row 36 Folding	1	7	90112	1" Washer	2
2	11080L	2 row 36 Wing	1	8	90109	Top Link Bushing	1
3	11080R	2 row 36 Wing	1	9	90113	Cat 2 and 3 Pin	2
4	11111	7 Blade Chopper Row Unit	8	10	90115	Lynch Pin 7/16" x 1-1/2"	2
5	90110	1 x 4-3/8" Bolt	1	11	11039	Parallel Row Unit	8
6	90111	1in Deformed Nut	1	12	11045	Parallel linkage	8

60836FP



8'-8 7/8"
Transport Height Folded

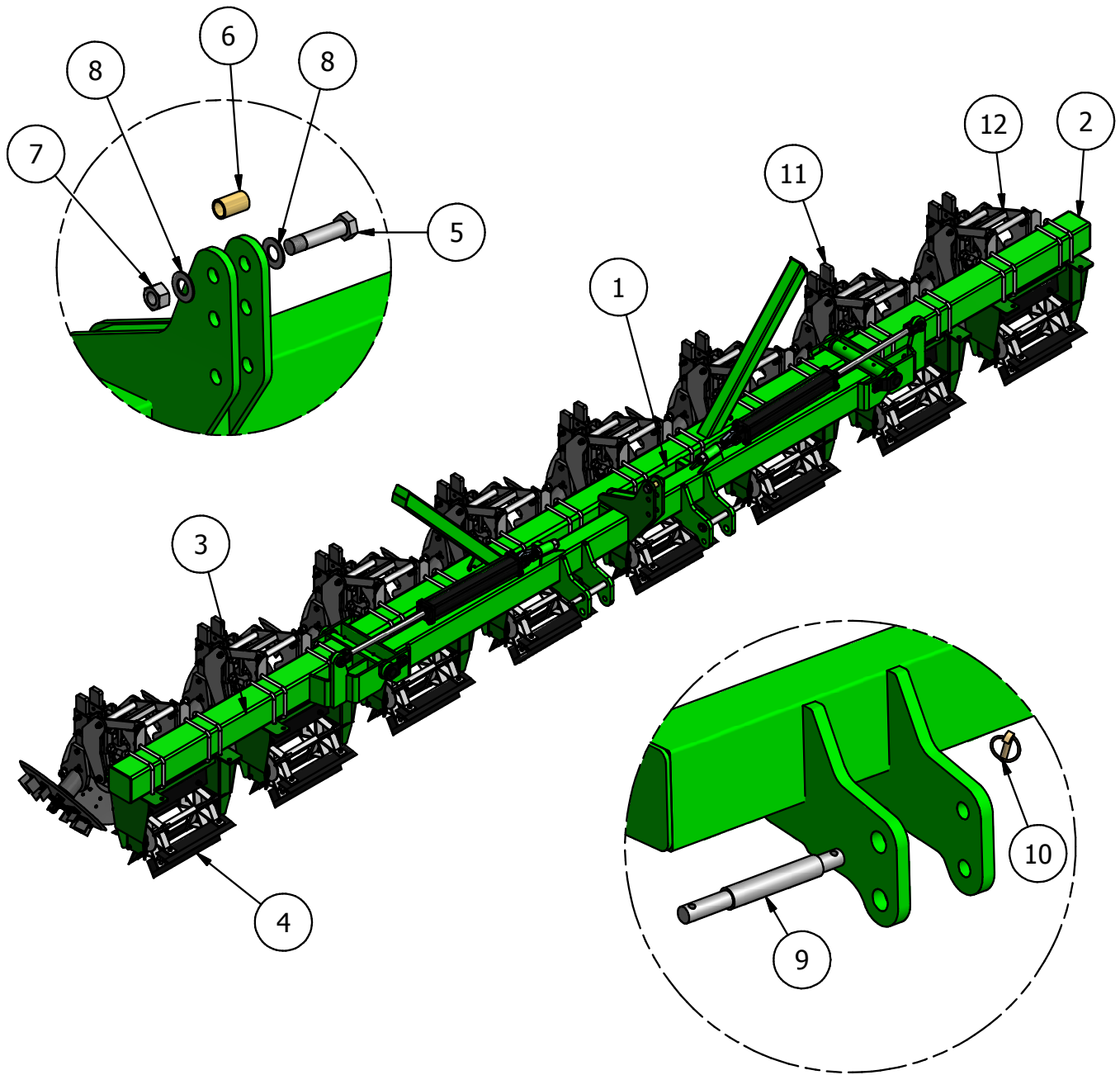
23'-9"
Transport Width Flat



11'-8 1/8"
Base Width

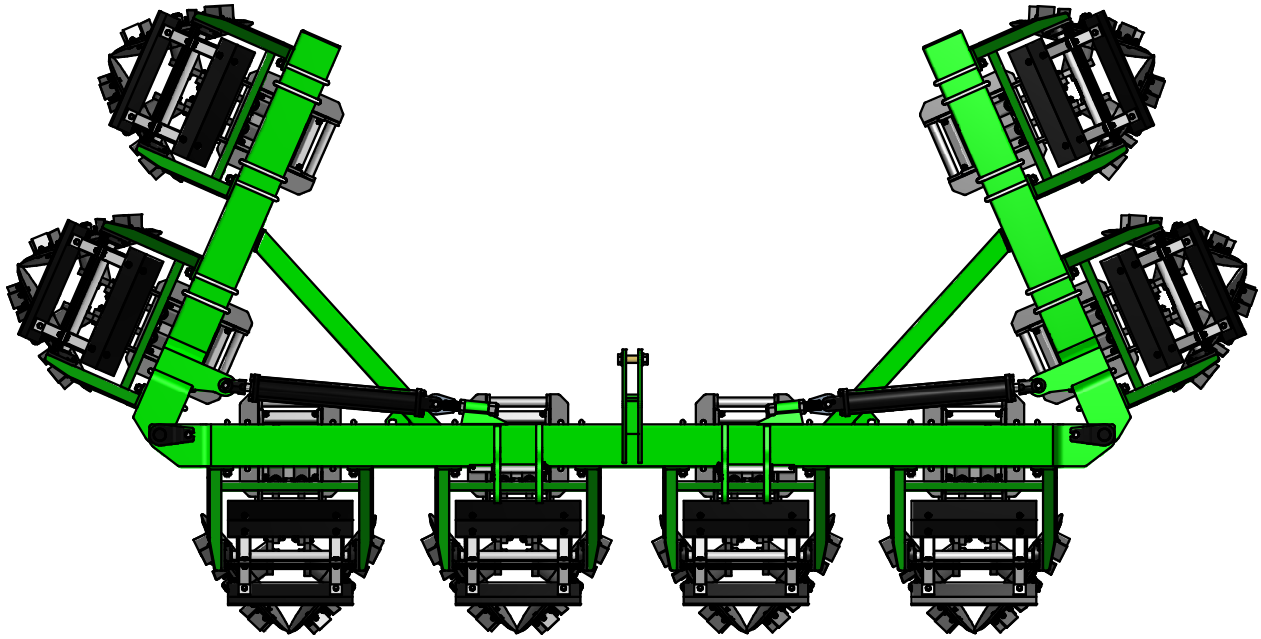
15'-10 9/16"
Transport Width Folded

60838FP



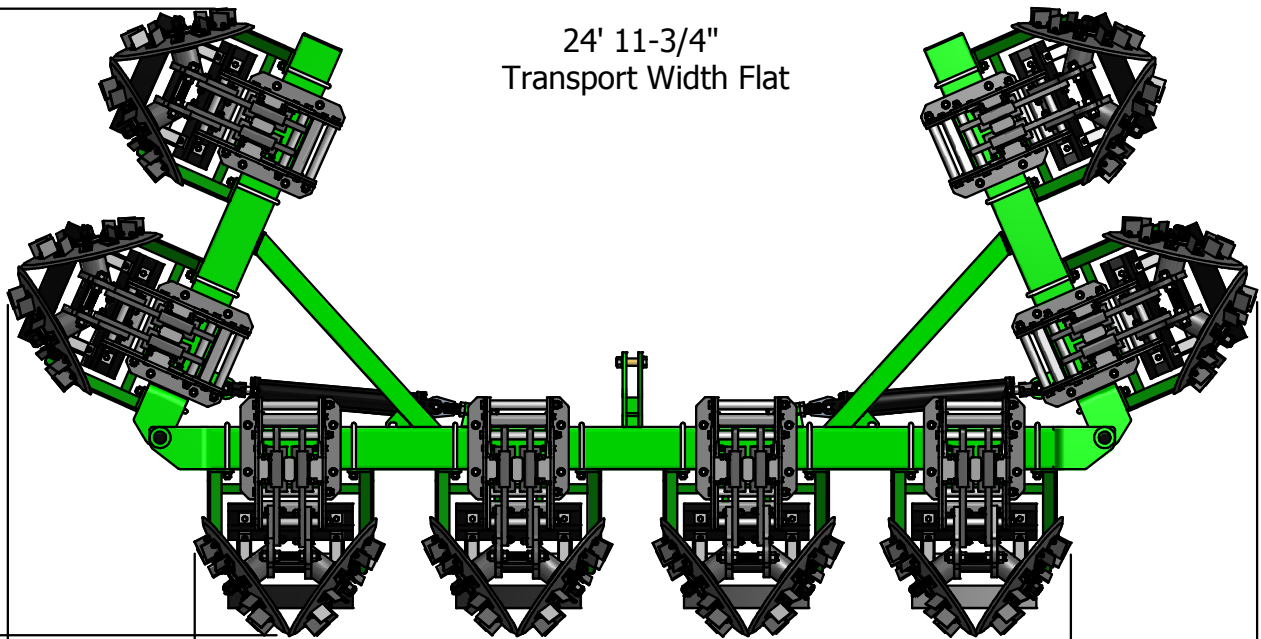
PARTS LIST				PARTS LIST			
ITEM	PART#	DESCRIPTION	QTY	ITEM	PART#	DESCRIPTION	QTY
1	10845	Toolbar 8 row 38 folding	1	7	90111	1in Deformed Nut	1
2	11080L	2 row 36 Wing	1	8	90112	1" Washer	2
3	11080R	2 row 36 Wing	1	9	90113	Cat 2 and 3 Pin	2
4	11111	7 Blade Chopper Row Unit	8	10	90115	Lynch Pin 7/16" x 1-1/2"	2
5	90110	1 x 4-3/8" Bolt	1	11	11039	Parallel Row Unit	8
6	90109	Top Link Bushing	1	12	11045	Parallel Linkage	8

60838FP



8'-8 1/4"
Transport Height Folded

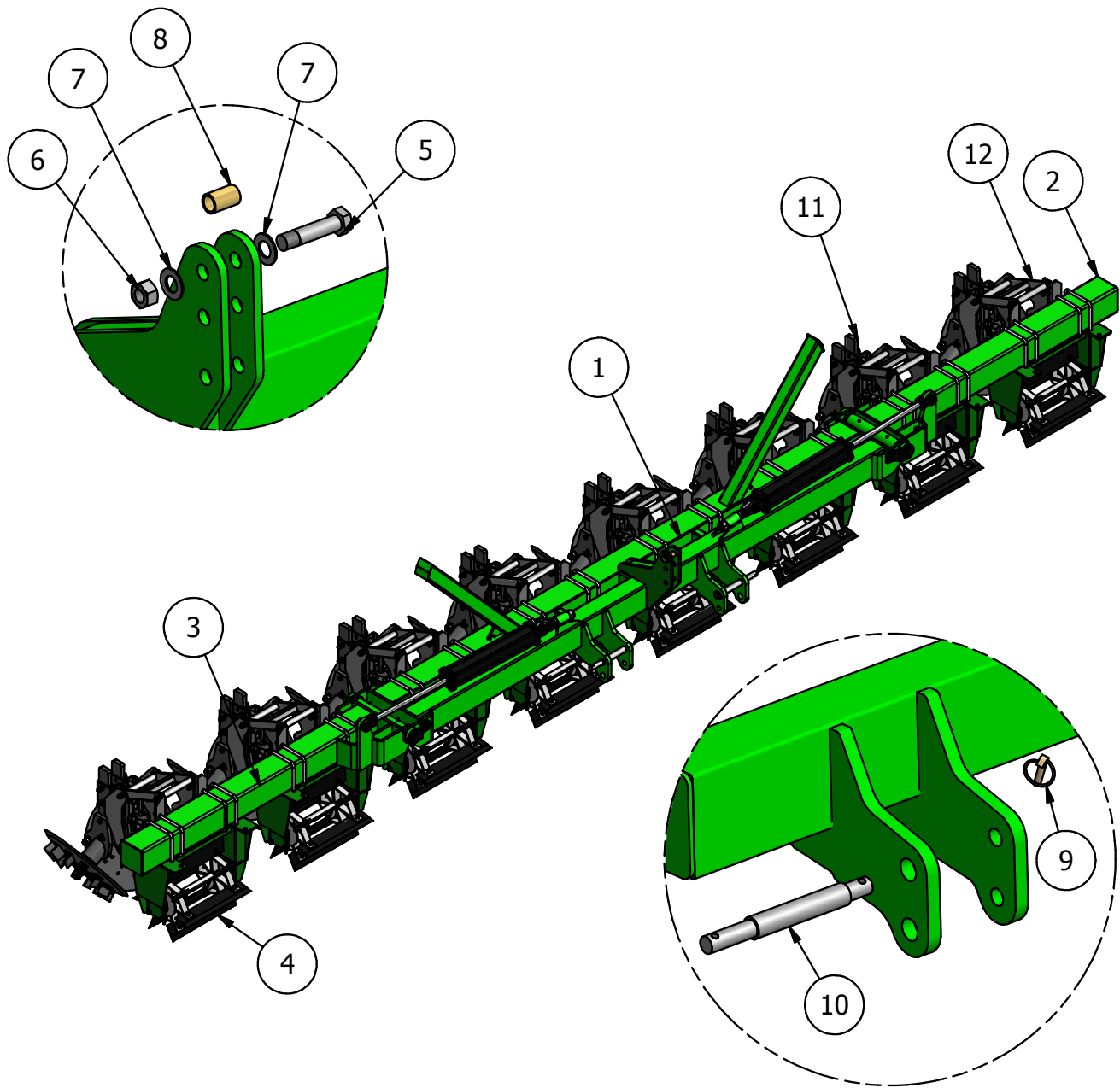
24'-11-3/4"
Transport Width Flat



12'-2 1/8"
Base Width

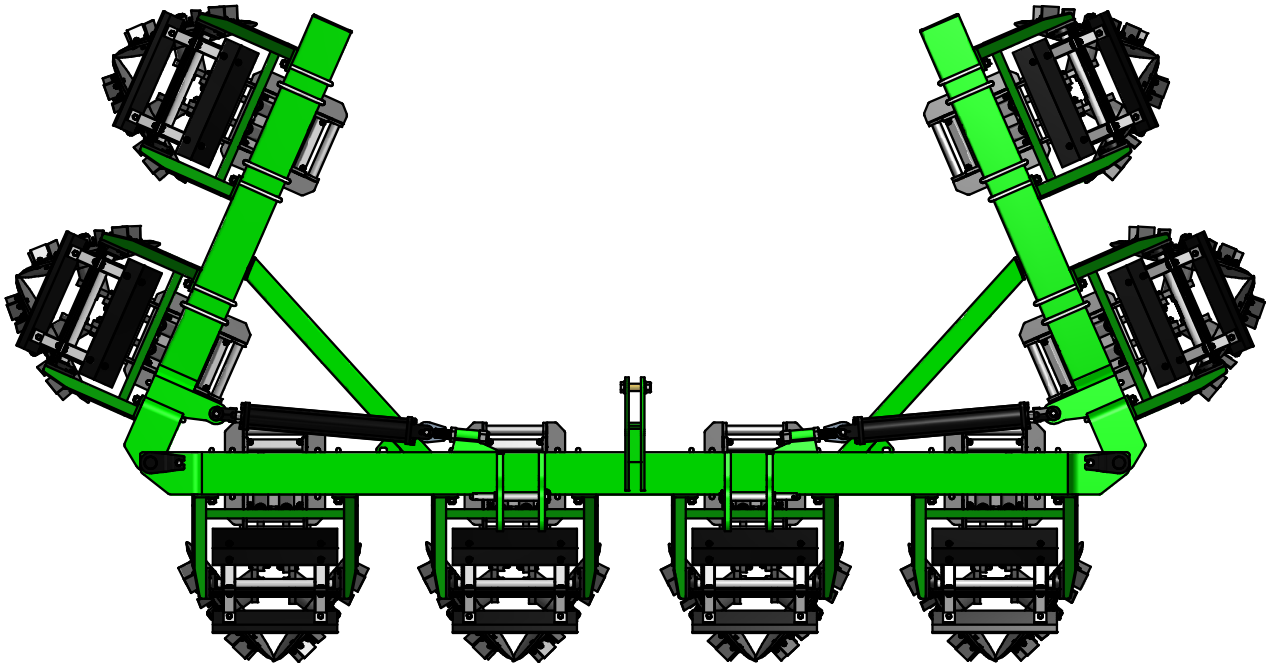
17'-4 5/16"
Transport Width Folded

60840FP



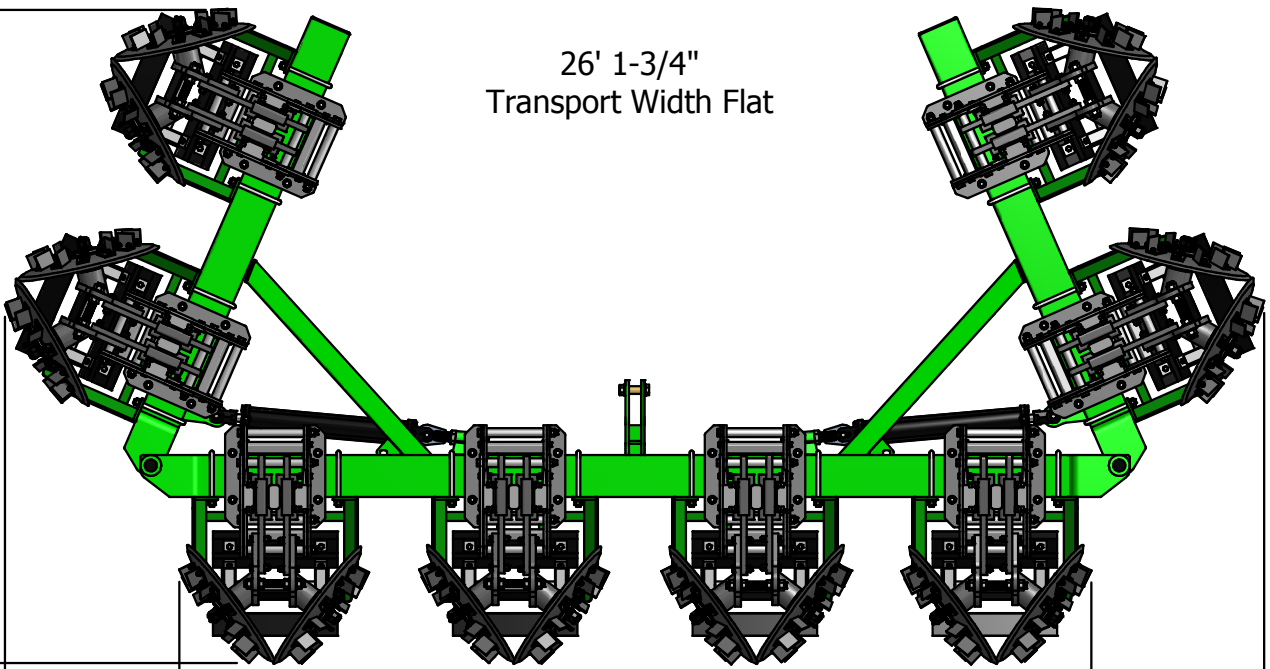
PARTS LIST				PARTS LIST			
ITEM	PART#	DESCRIPTION	QTY	ITEM	PART#	DESCRIPTION	QTY
1	11073	Toolbar 8 row 40 Folding	1	7	90112	1" Washer	2
2	11082L	2 row 40 Wing	1	8	90109	Top Link Bushing	1
3	11082R	2 row 40 Wing	1	9	90115	Lynch Pin 7/16" x 1-1/2"	2
4	11111	7 Blade Chopper Row Unit	8	10	90113	Cat 2 and 3 Pin	2
5	90110	1 x 4-3/8" Bolt	1	11	11039	Parallel Row Unit	8
6	90111	1in Deformed Nut	1	12	11045	Parallel Linkage	8

60840FP



9'- 11/16"
Transport Height folded

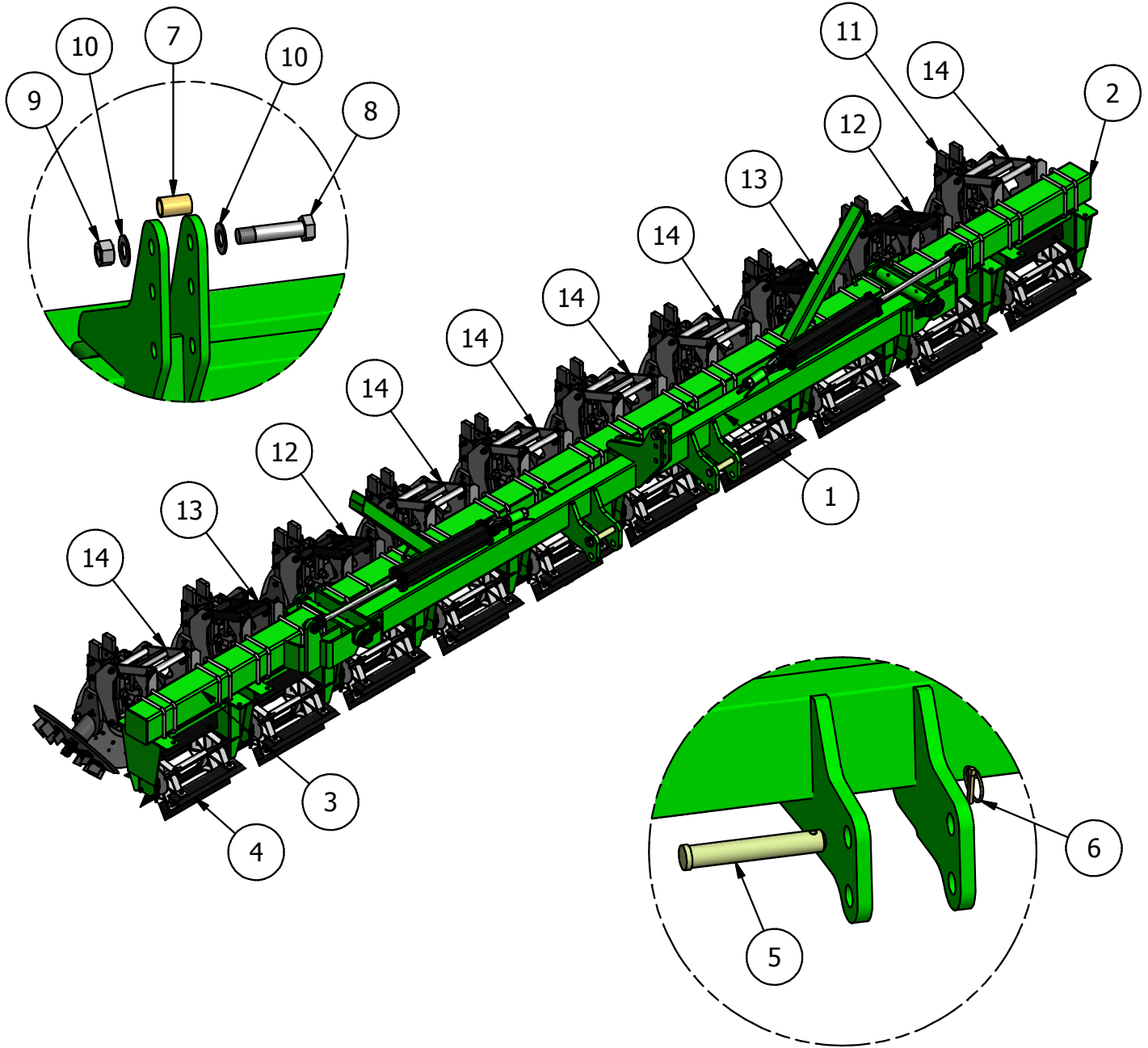
26' 1-3/4"
Transport Width Flat



12'-8 1/8"
Base Width

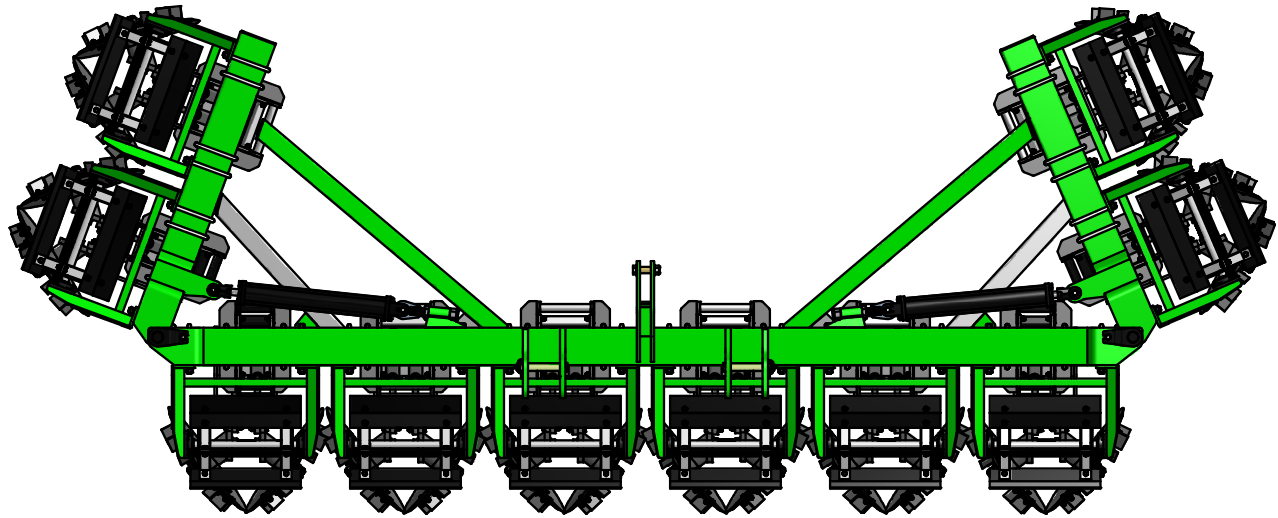
17'-5 15/16"
Transport Width folded

61030FP



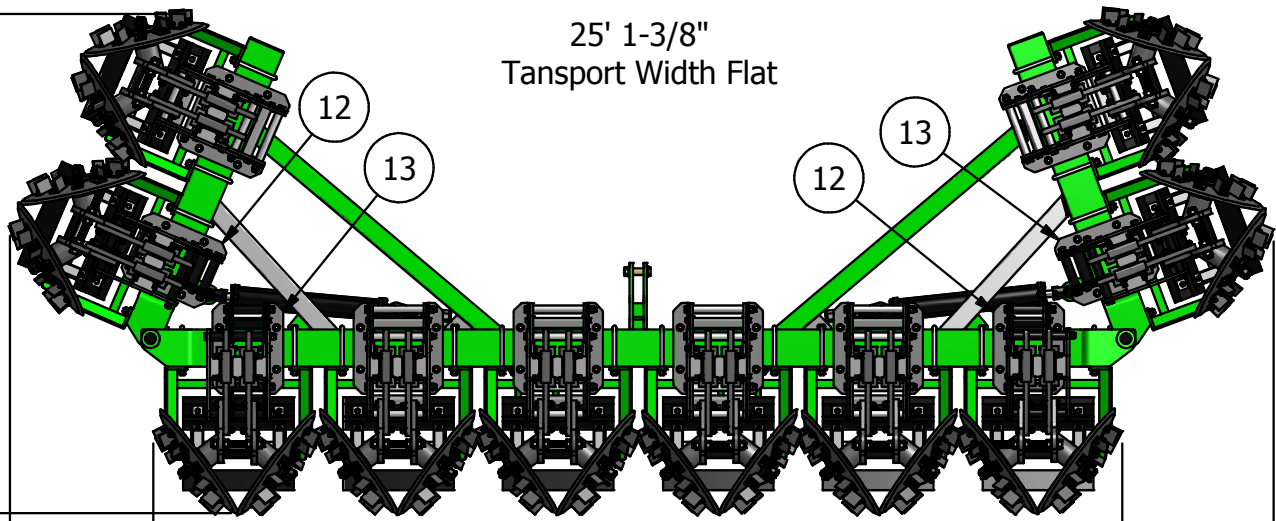
PARTS LIST				PARTS LIST			
ITEM	PART#	DESCRIPTION	QTY	ITEM	PART#	DESCRIPTION	QTY
1	11069	Toolbar 10,12 row 30 Folding	1	8	90110	1 x 4-3/8" Bolt	1
2	11076L	2 row 30 Wing Left	1	9	90111	1in Deformed Nut	1
3	11076R	2 row 30 Wing Right	1	10	90112	1" Washer	2
4	11111	7 Blade Chopper Row Unit	10	11	11039	Parallel Row Unit	10
5	90114	Cat 3 pin	2	12	11041	Parallel Linkage Offset RH	2
6	90116	Lynch Pin 7/16" x 1-3/4"	2	13	11043	Parallel Linkage Offset LH	2
7	90109	Top Link Bushing	1	14	11045	Parallel Linkage	6

61030FP



7'-9 7/16"
Transport Height Folded

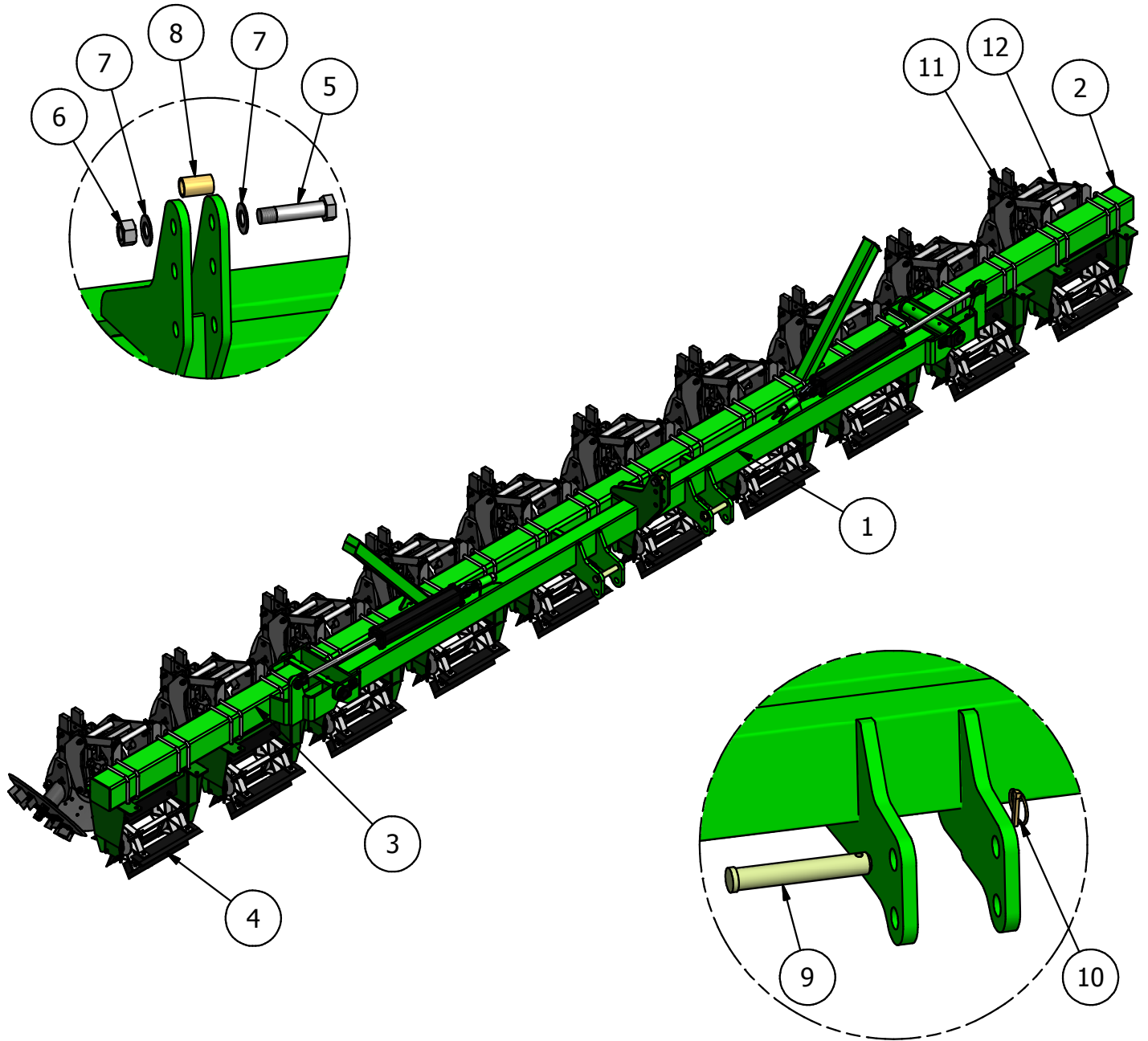
25' 1-3/8"
Transport Width Flat



15'-1 13/16"
Base Width

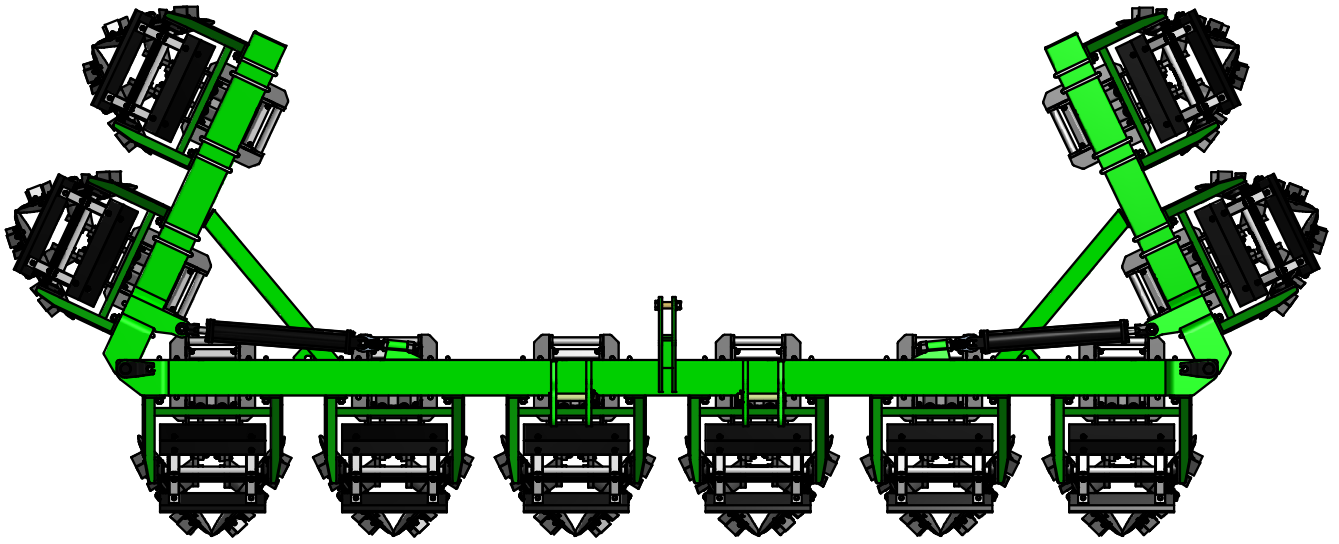
19'-9 1/16"
Transport Width Folded

61036FP



PARTS LIST				PARTS LIST			
ITEM	PART#	DESCRIPTION	QTY	ITEM	PART#	DESCRIPTION	QTY
1	11072	Toolbar 10, 12 row 36 Folding	1	7	90112	1" Washer	2
2	11080L	2 row 36 Wing	1	8	90109	Top Link Bushing	1
3	11080R	2 row 36 Wing	1	9	90114	Cat 3 pin	2
4	11111	7 Blade Chopper Row Unit	10	10	90116	Lynch Pin 7/16" x 1-3/4"	2
5	90110	1 x 4-3/8" Bolt	1	11	11039	Parallel Row Unit	10
6	90111	1in Deformed Nut	1	12	11045	Parallel Linkage	10

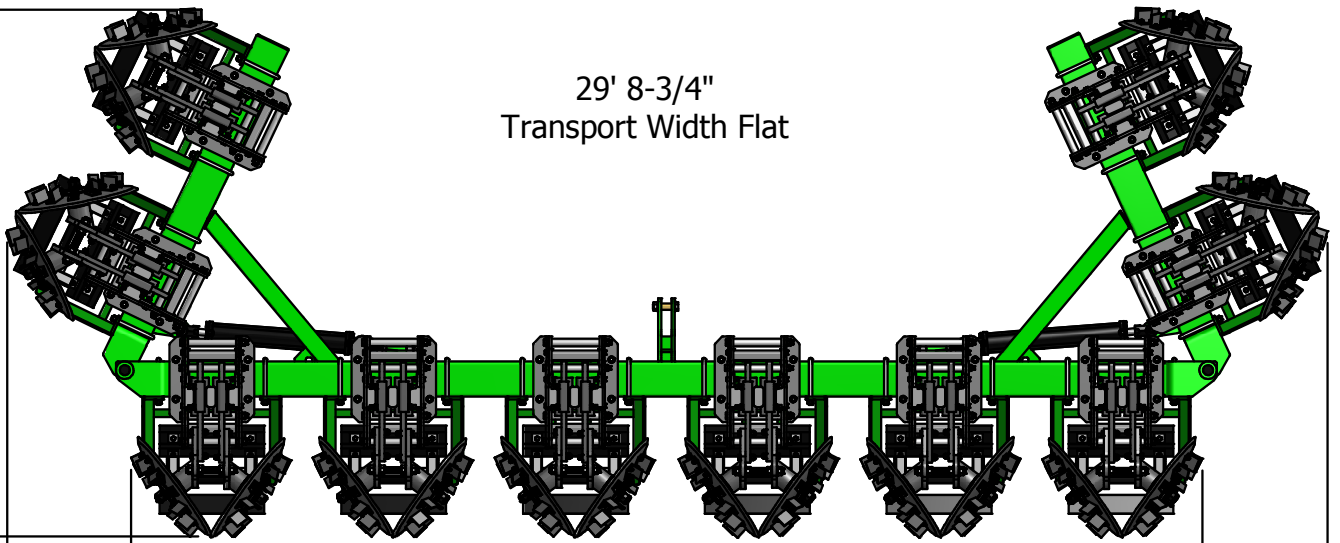
61036FP



8'-8 1/8"

Transport Height Folded

29' 8-3/4"
Transport Width Flat



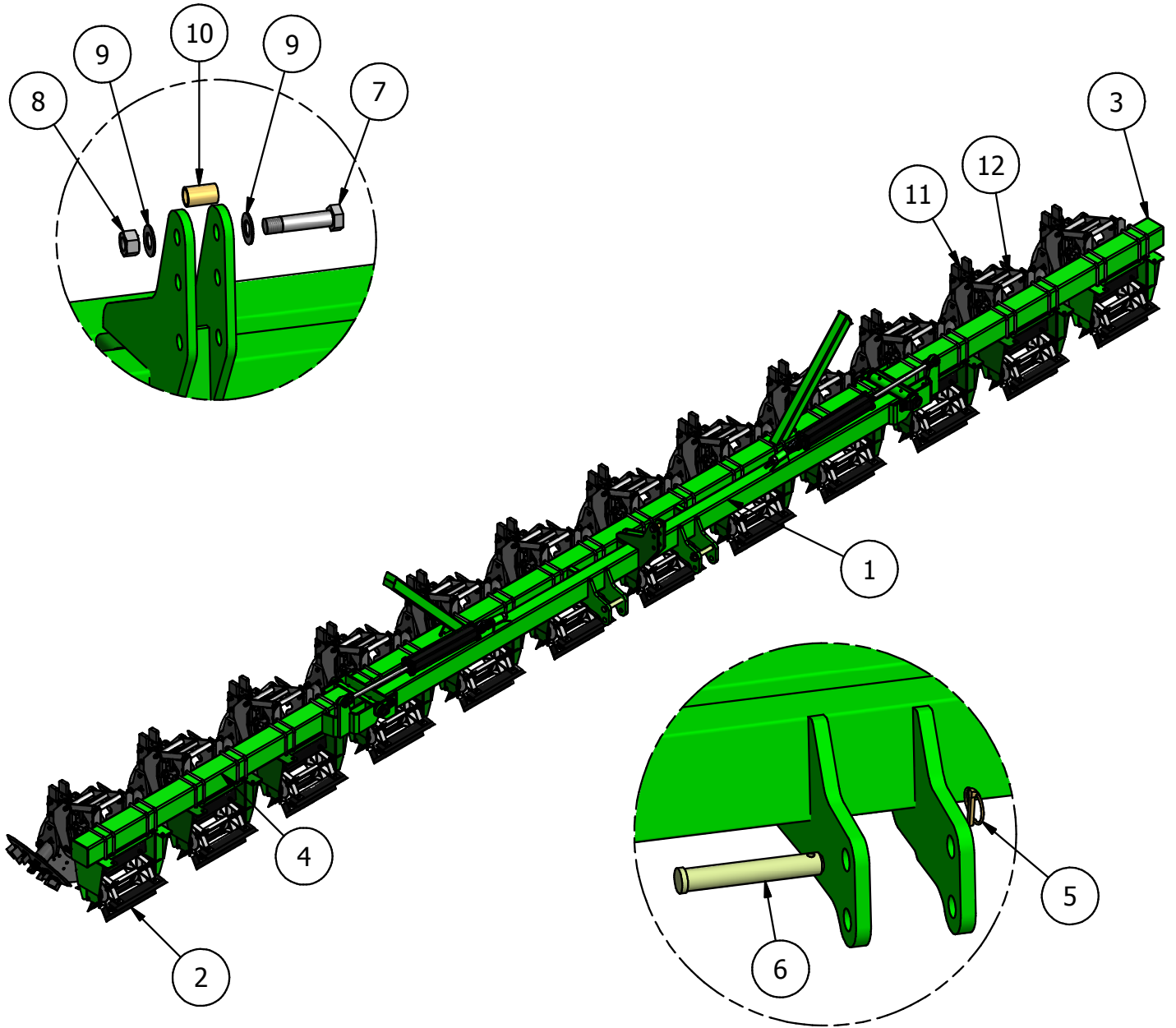
17'-8 1/8"

Base Width

21'-9 3/8"

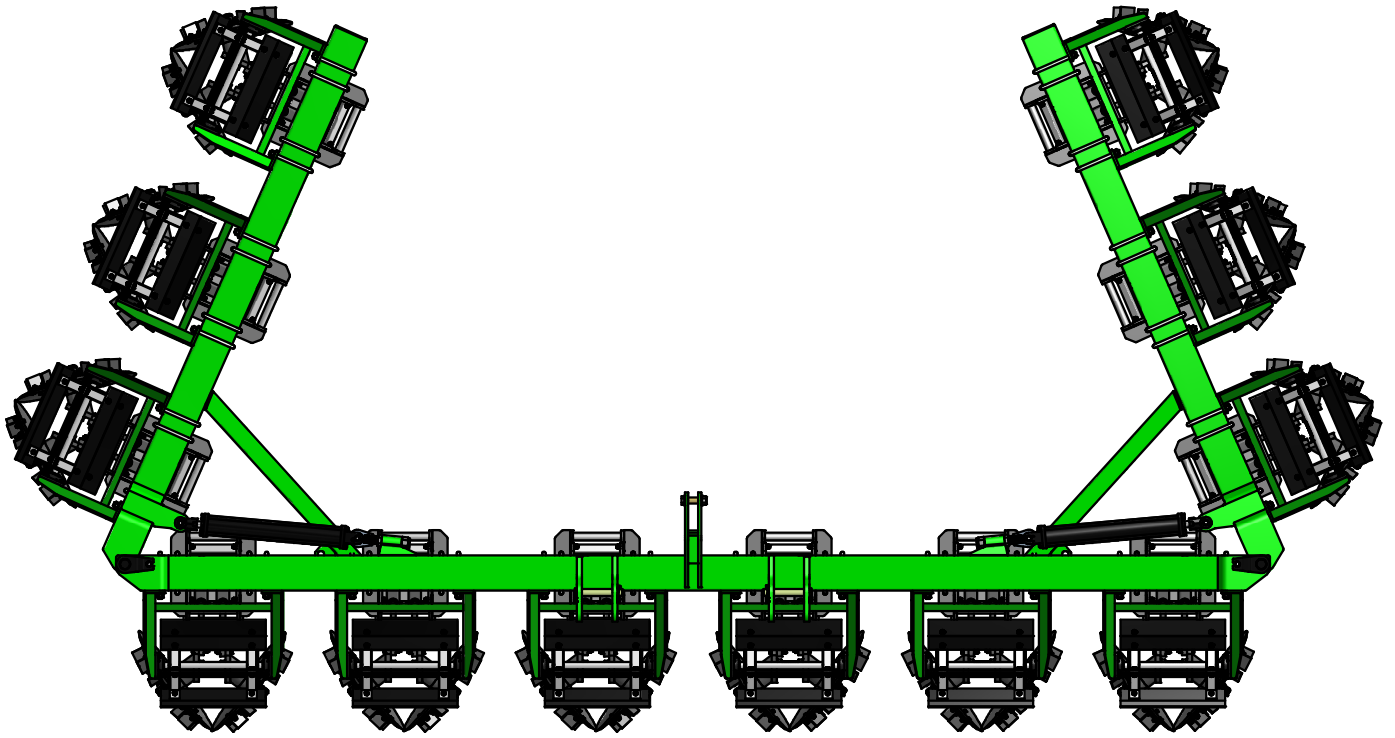
Transport Width Folded

61238FP

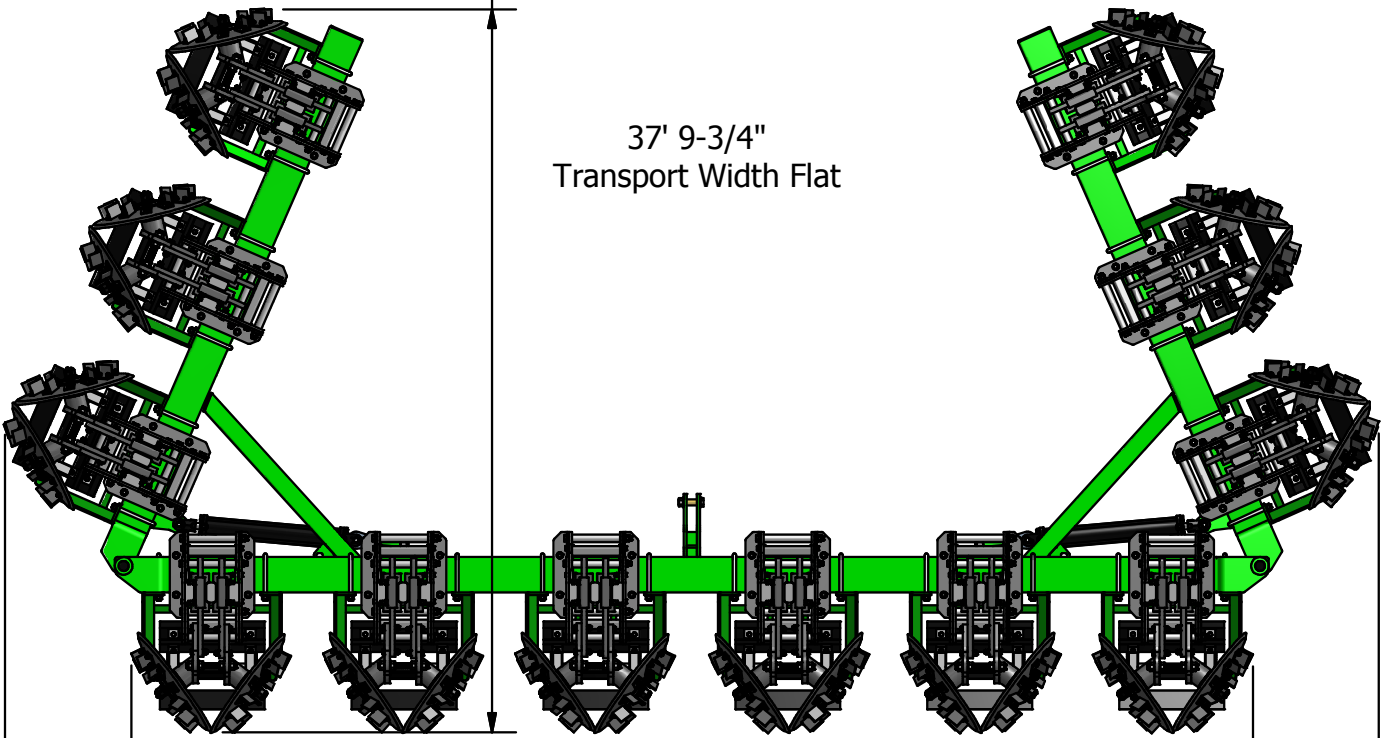


PARTS LIST				PARTS LIST			
ITEM	PART#	DESCRIPTION	QTY	ITEM	PART#	DESCRIPTION	QTY
1	10844	Toolbar 10,12 row 38	1	7	90110	1 x 4-3/8" Bolt	1
2	11111	7 Blade Chopper Row Unit	12	8	90111	1in Deformed Nut	1
3	10842L	3 row 38 Wing	1	9	90112	1" Washer	2
4	10842R	3 row 38 Wing	1	10	90109	Top Link Bushing	1
5	90116	Lynch Pin 7/16" x 1-3/4"	2	11	11039	parallel Row unit	1
6	90114	Cat 3 pin	2	12	11045	Parallel Linkage	1

61238FP



11'-10 7/8"
Transport Height Folded



37' 9-3/4"
Transport Width Flat

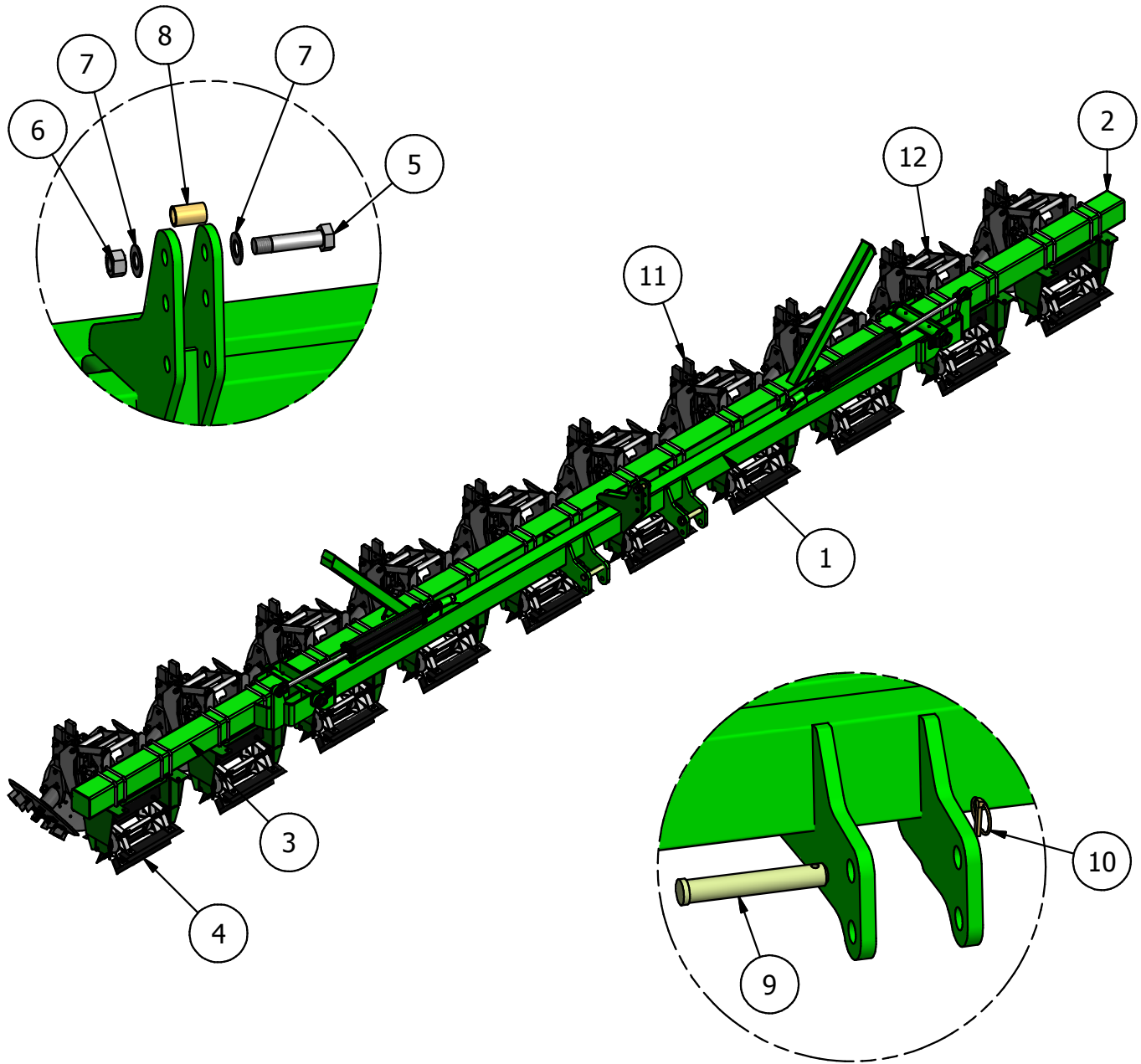
18'-6 1/8"

Base Width

22'-8 1/16"

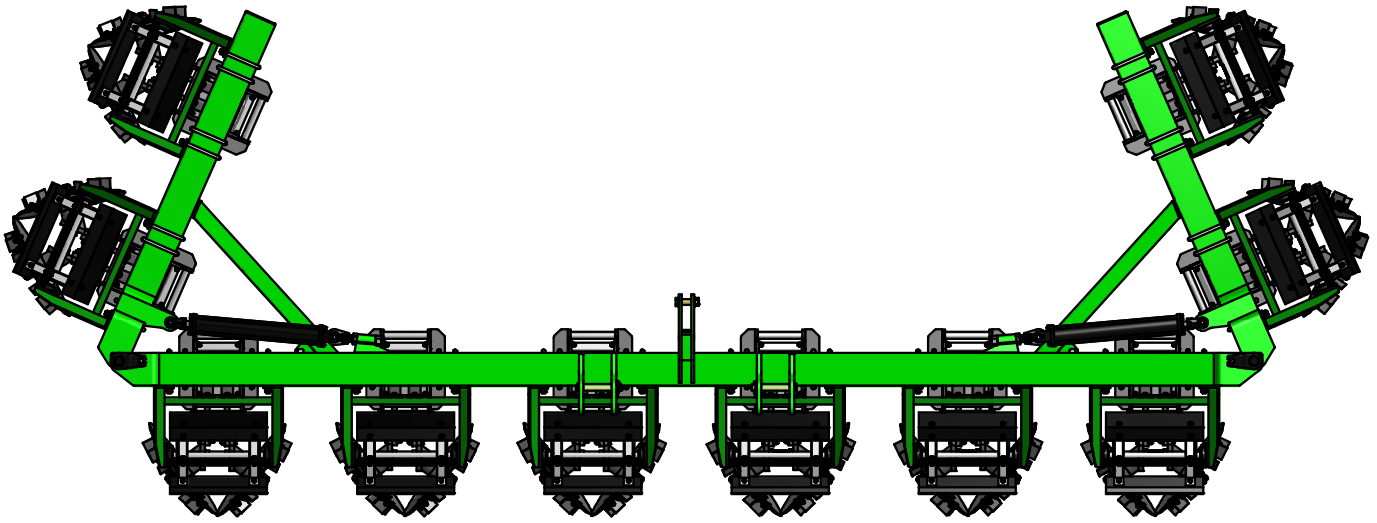
Transport Width Folded

61040FP



PARTS LIST				PARTS LIST			
ITEM	PART#	DESCRIPTION	QTY	ITEM	PART#	DESCRIPTION	QTY
1	11074	Toolbar 10,12 row 40 Folding	1	7	90112	1" Washer	2
2	11082L	2 row 40 Wing	1	8	90109	Top Link Bushing	1
3	11082R	2 row 40 Wing	1	9	90114	Cat 3 pin	2
4	11111	7 Blade Chopper Row Unit	10	10	90116	Lynch Pin 7/16" x 1-3/4"	2
5	90110	1 x 4-3/8" Bolt	1	11	11039	Parallel Row unit	10
6	90111	1in Deformed Nut	1	12	11045	Parallel Linkage	10

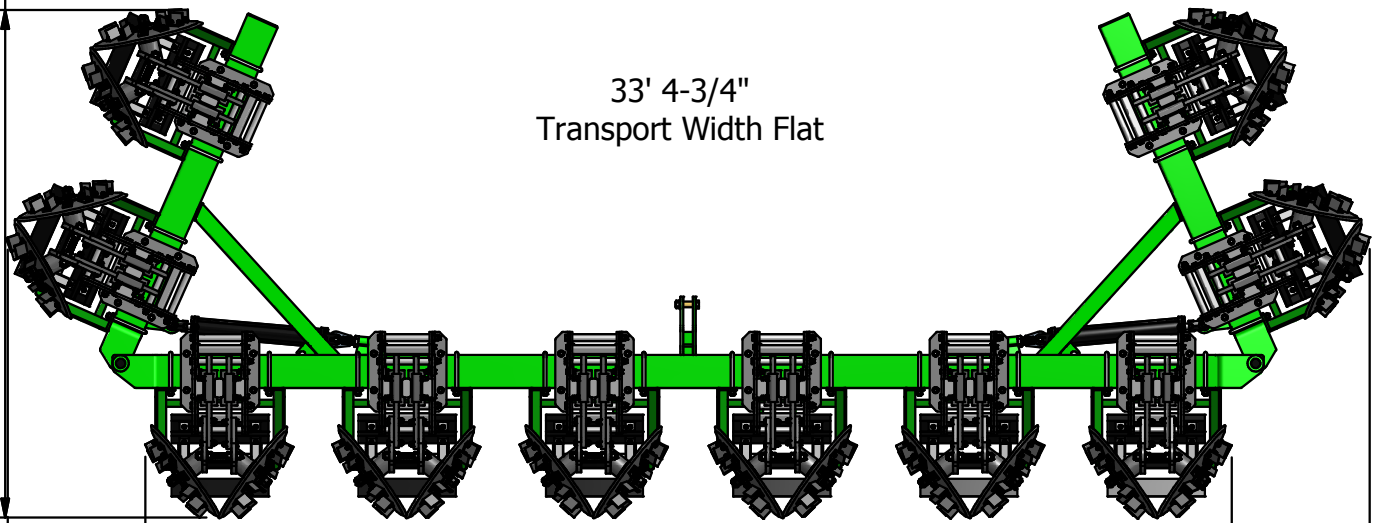
61040FP



9'- 1/4"

Transport Height Folded

33' 4-3/4"
Transport Width Flat



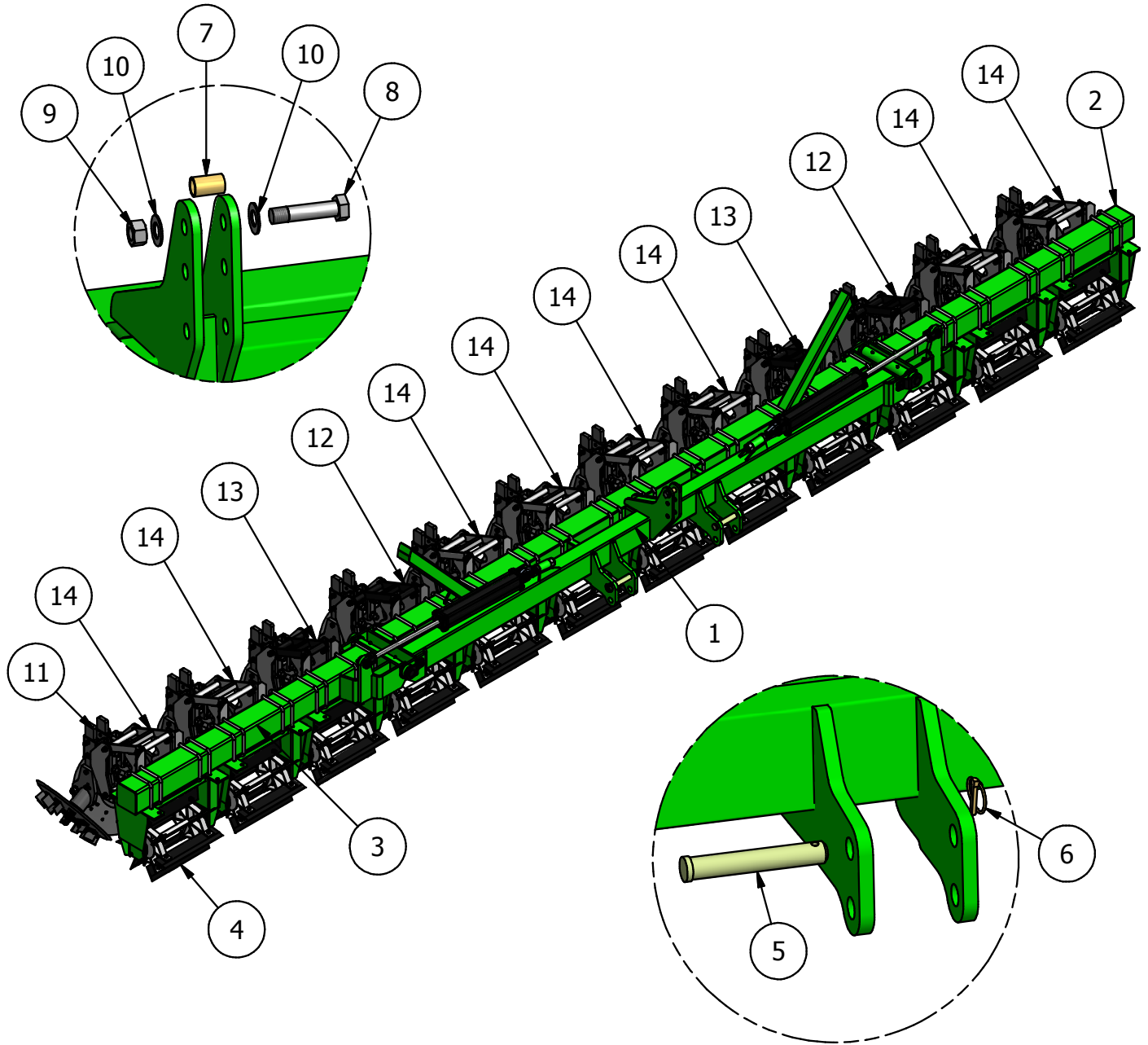
19'-4 1/8"

Base Width

24'-2 15/16"

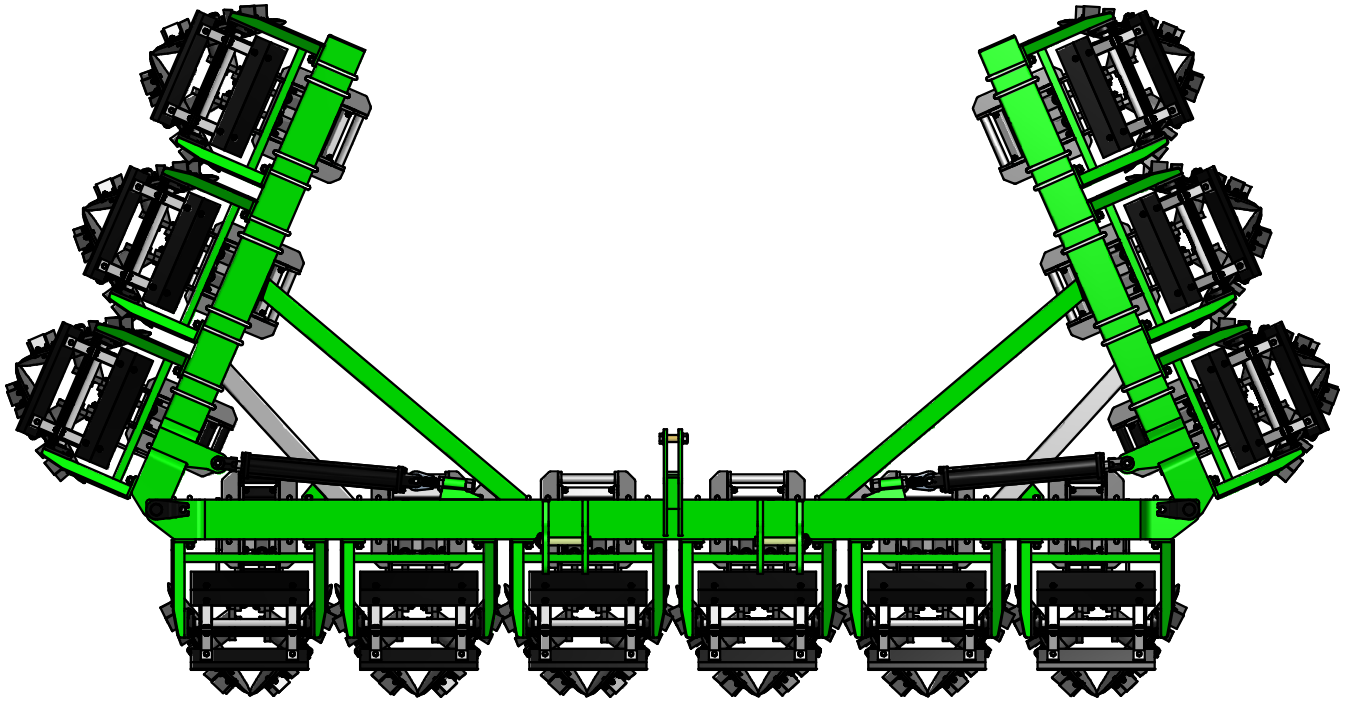
Transport Width Folded

61230FP



PARTS LIST				PARTS LIST			
ITEM	PART#	DESCRIPTION	QTY	ITEM	PART#	DESCRIPTION	QTY
1	11069	Toolbar 10,12 row 30 Folding	1	8	90110	1 x 4-3/8" Bolt	1
2	11077L	3 row 30 Wing	1	9	90111	1in Deformed Nut	1
3	11077R	3 row 30 Wing	1	10	90112	1" Washer	2
4	11111	7 Blade Chopper Row Unit	12	11	11039	Parallel Row Unit	12
5	90114	Cat 3 pin	2	12	11041	Parallel Linkage Offset RH	2
6	90116	Lynch Pin 7/16" x 1-3/4"	2	13	11043	Parallel Linkage Offset LH	2
7	90109	Top Link Bushing	1	14	11045	Paralllel Linkage	8

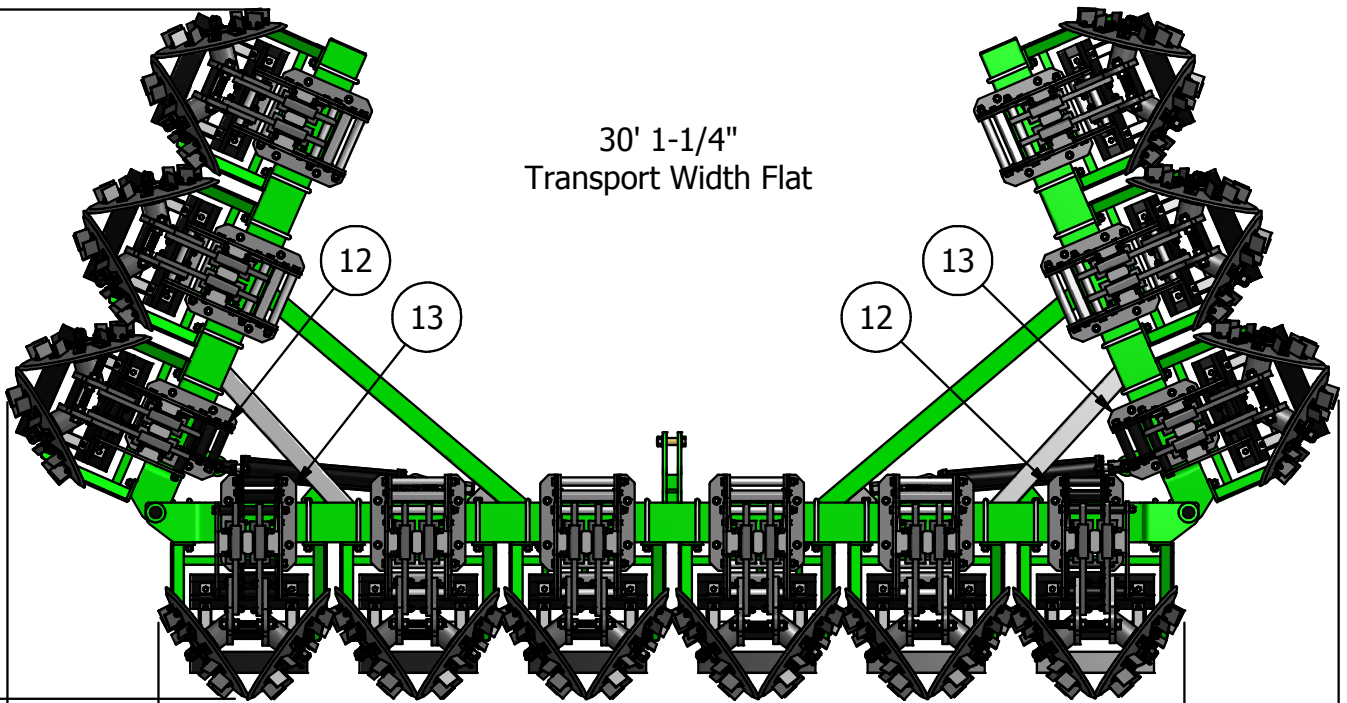
61230FP



10'-1 7/8"

Transport Height Folded

30' 1-1/4"
Transport Width Flat



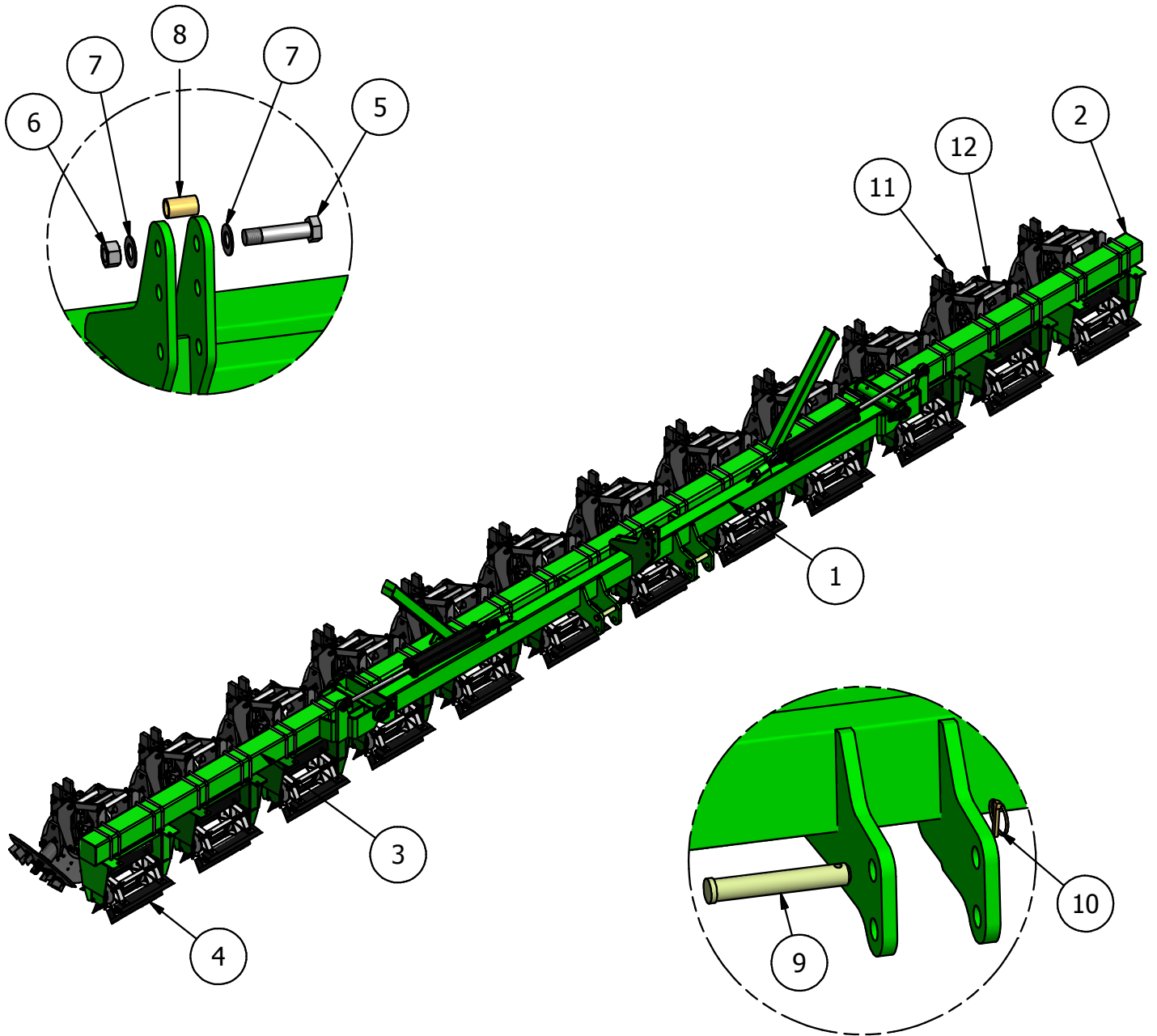
15'-1 13/16"

Base Width

19'-7 13/16"

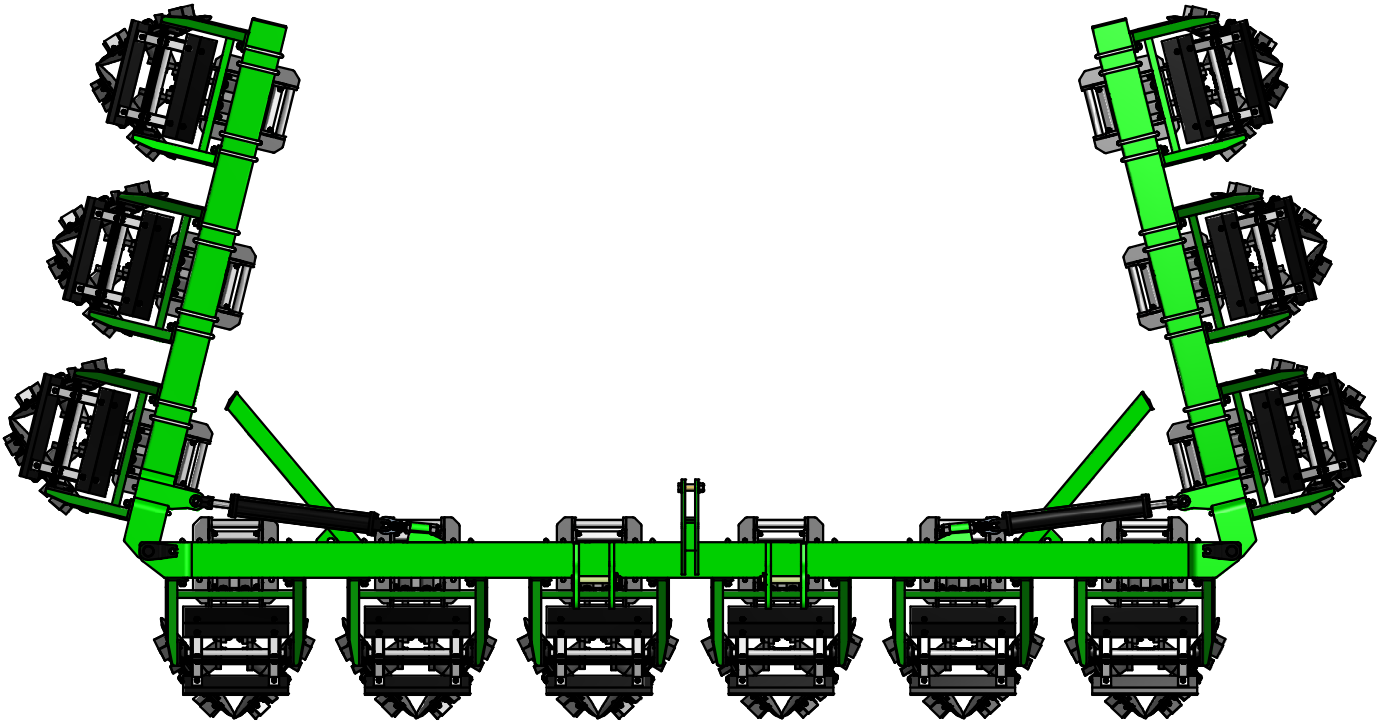
Transport Width Folded

61236FP



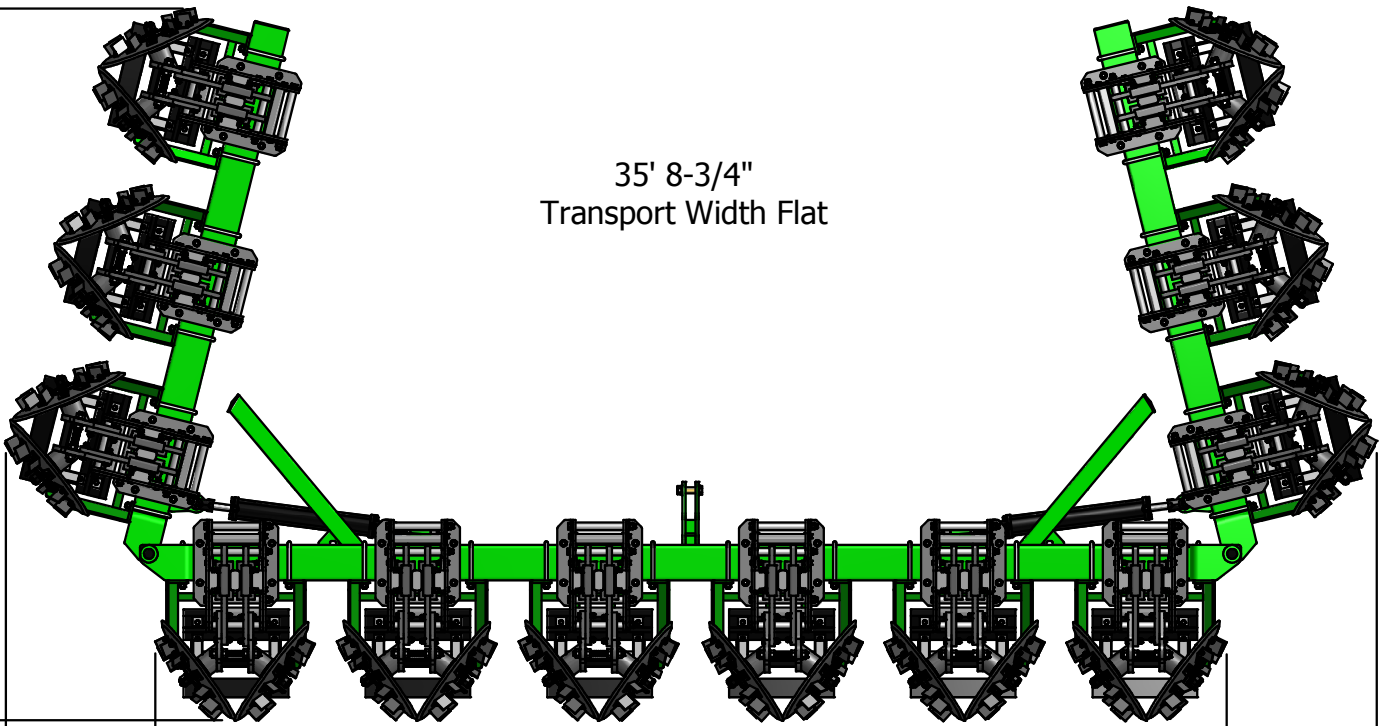
PARTS LIST				PARTS LIST			
ITEM	PART#	DESCRIPTION	QTY	ITEM	PART#	DESCRIPTION	QTY
1	11072	Toolbar 10,12 row 36 Folding	1	7	90112	1" Washer	2
2	11081L	3 row 36 Wing	1	8	90109	Top Link Bushing	1
3	11081R	3 row 36 Wing	1	9	90114	Cat 3 pin	2
4	11111	7 Blade Chopper Row Unit	12	10	90116	Lynch Pin 7/16" x 1-3/4"	2
5	90110	1 x 4-3/8" Bolt	1	11	11039	Parallel Row unit	1
6	90111	1in Deformed Nut	1	12	11045	Parallel Linkage	1

61236FP



11'-8 5/8"
Transport Height Folded

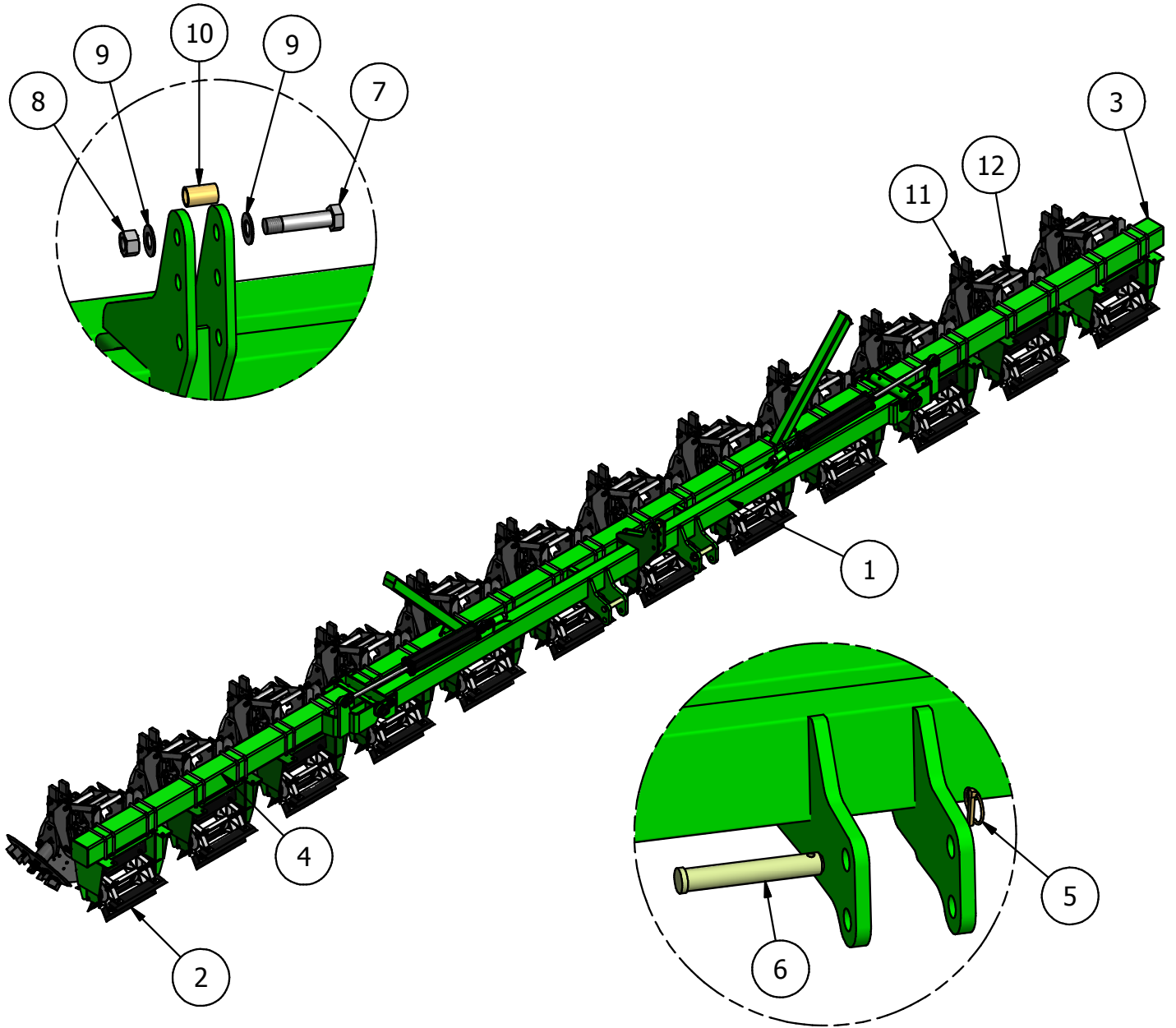
35' 8-3/4"
Transport Width Flat



17'-8 1/8"
Base Width

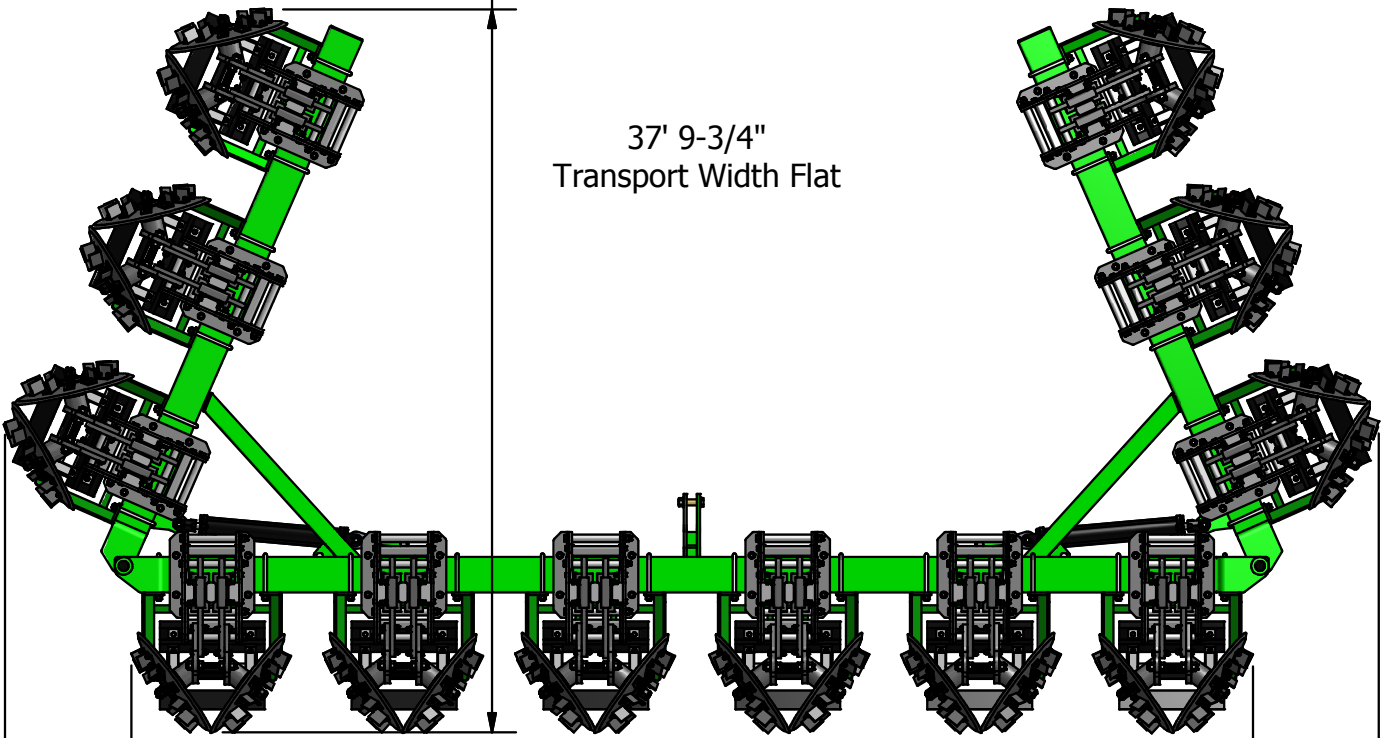
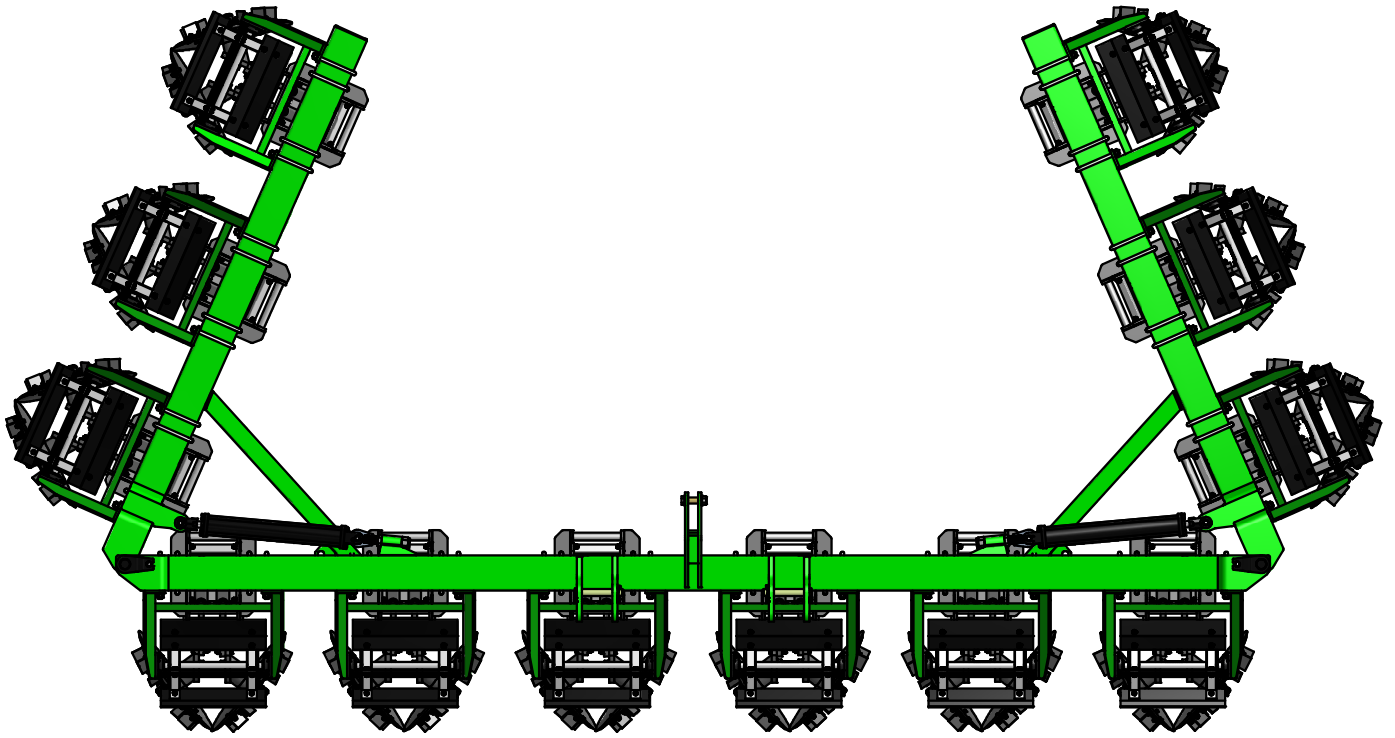
22'-7 7/16"
Transport Width Folded

61238FP



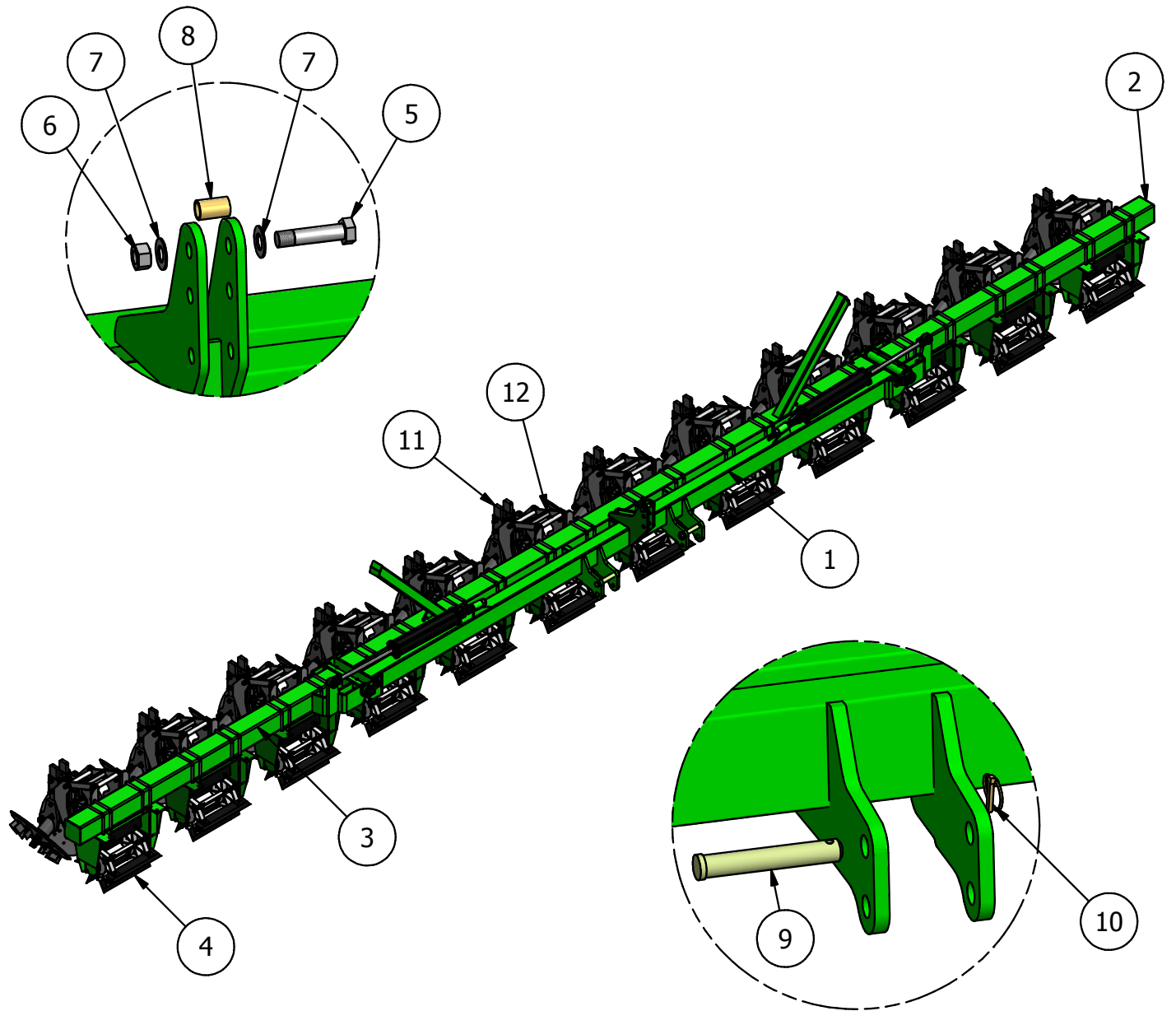
PARTS LIST				PARTS LIST			
ITEM	PART#	DESCRIPTION	QTY	ITEM	PART#	DESCRIPTION	QTY
1	10844	Toolbar 10,12 row 38	1	7	90110	1 x 4-3/8" Bolt	1
2	11111	7 Blade Chopper Row Unit	12	8	90111	1in Deformed Nut	1
3	10842L	3 row 38 Wing	1	9	90112	1" Washer	2
4	10842R	3 row 38 Wing	1	10	90109	Top Link Bushing	1
5	90116	Lynch Pin 7/16" x 1-3/4"	2	11	11039	parallel Row unit	1
6	90114	Cat 3 pin	2	12	11045	Parallel Linkage	1

61238FP



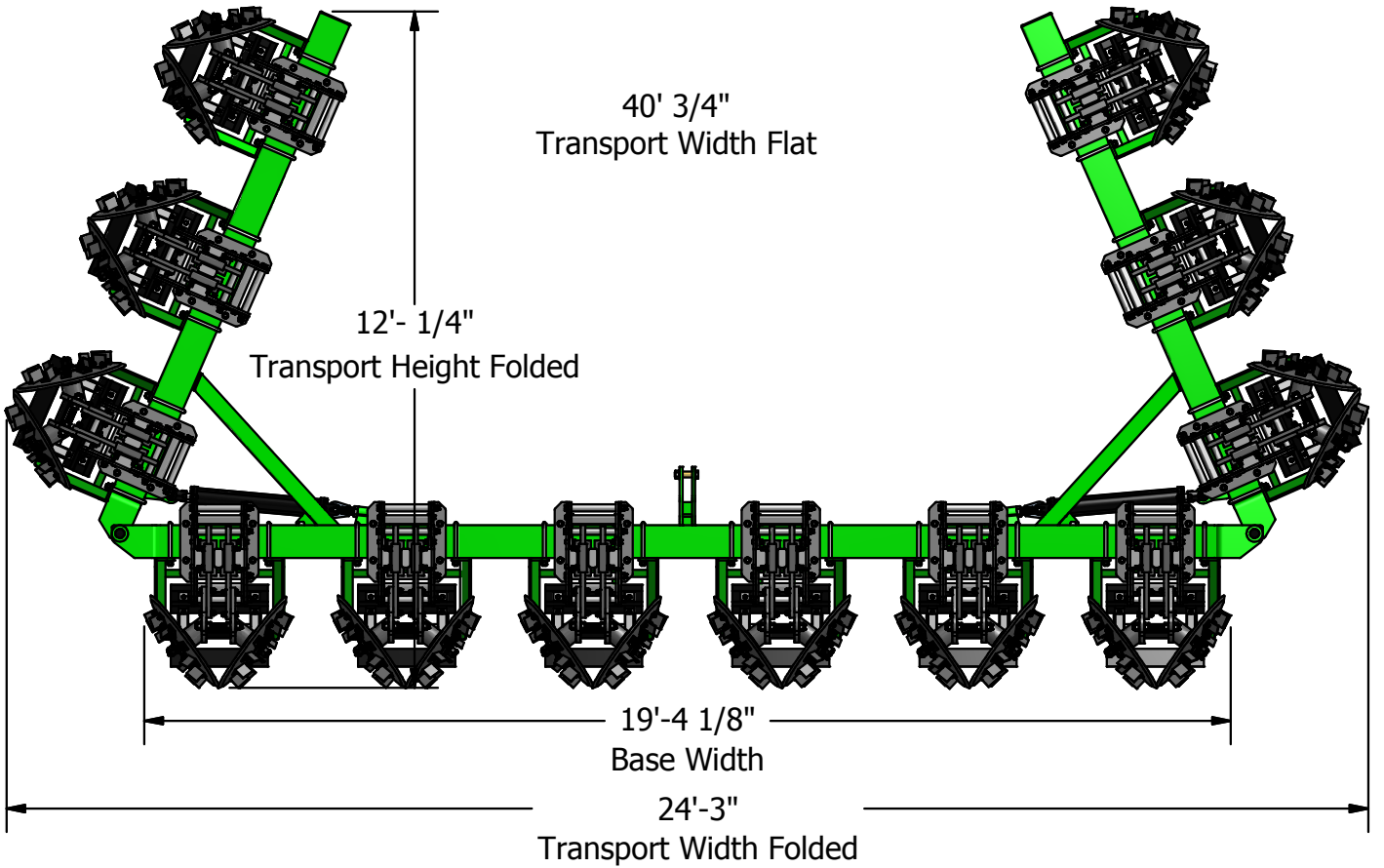
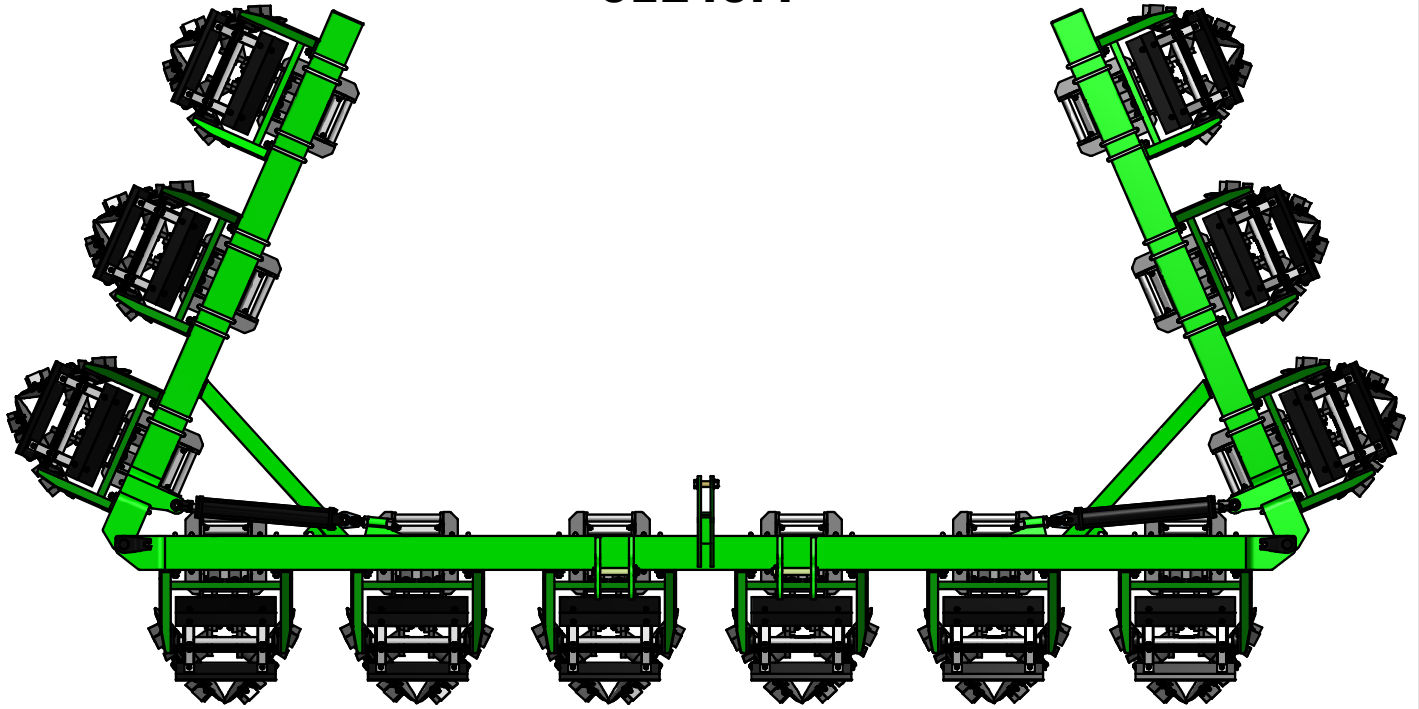
Transport Width Folded

61240FP

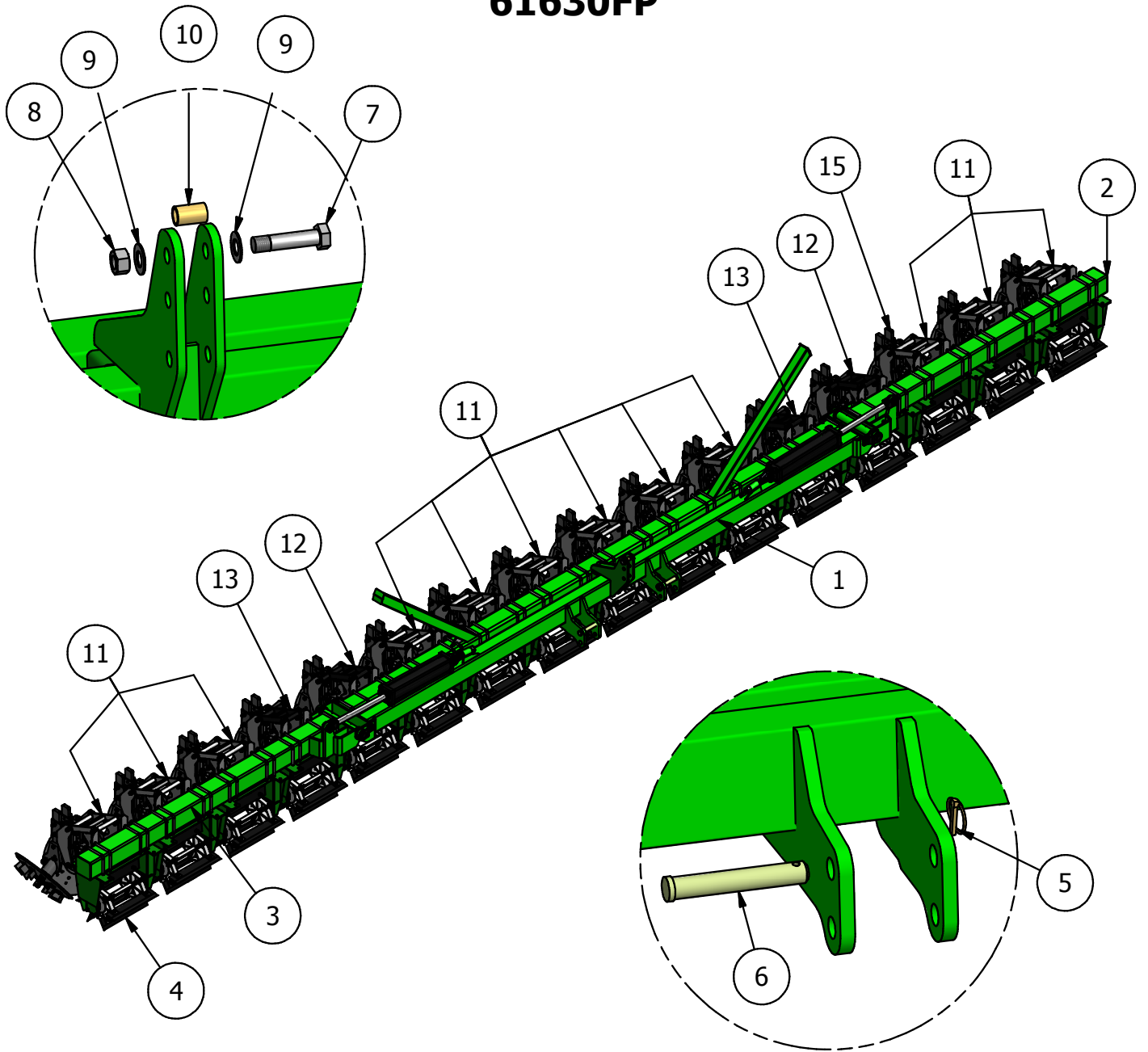


PARTS LIST				PARTS LIST			
ITEM	PART#	DESCRIPTION	QTY	ITEM	PART#	DESCRIPTION	QTY
1	11074	Toolbar10,12 row 40 Folding	1	7	90112	1" Washer	2
2	11083L	3 row 40 wing LH	1	8	90109	Top Link Bushing	1
3	11083R	3 row 40 wing RH	1	9	90114	Cat 3 pin	2
4	11111	7 Blade Chopper Row Unit	12	10	90116	Lynch Pin 7/16" x 1-3/4"	2
5	90110	1 x 4-3/8" Bolt	1	11	11039	Parallel Row Unit	12
6	90111	1in Deformed Nut	1	12	11045	Parallel Linkage	12

61240FP

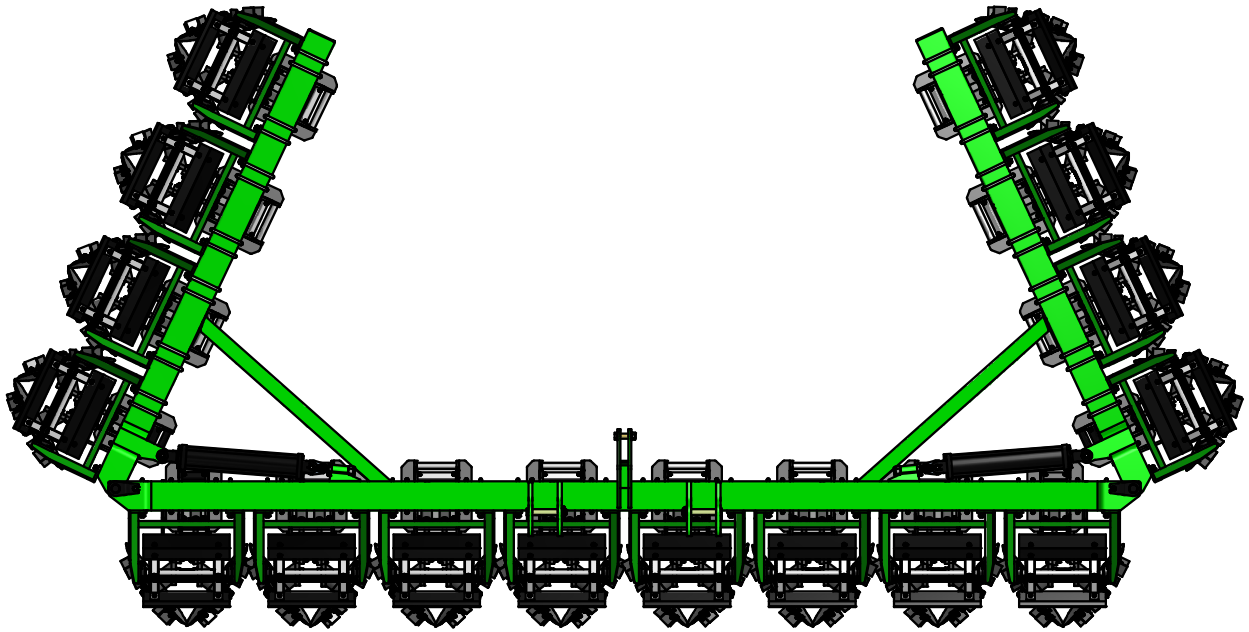


61630FP

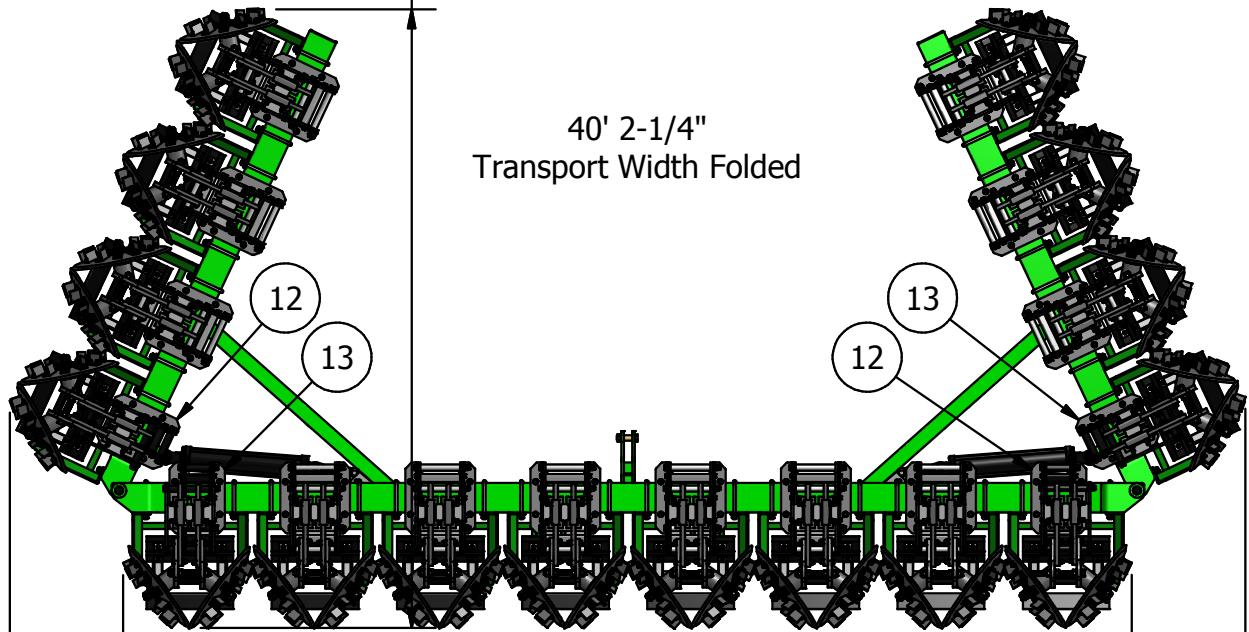


PARTS LIST				PARTS LIST			
ITEM	PART#	DESCRIPTION	QTY	ITEM	PART#	DESCRIPTION	QTY
1	11070	Toolbar 16 row 30	1	8	90111	1in Deformed Nut	1
2	11083L	3 row 40 wing LH	1	9	90112	1" Washer	2
3	11083R	3 row 40 wing RH	1	10	90109	Top Link Bushing	1
4	11111	7 Blade Chopper Row Unit	16	11	11039	Parallel Row Unit	16
5	90116	Lynch Pin 7/16" x 1-3/4"	2	12	11041	Parallel Linkage Offset RH	2
6	90114	Cat 3 pin	2	13	11043	Parallel Linkage Offset LH	2
7	90110	1 x 4-3/8" Bolt	1	14	11045	Parallel Linkage	12

61630FP



12'-4 1/16"
Transport Height Folded



40' 2-1/4"
Transport Width Folded

20'-1 13/16"
Base Width

24'-8 3/16"
Transport Width Folded