

Quality Built Since 1973

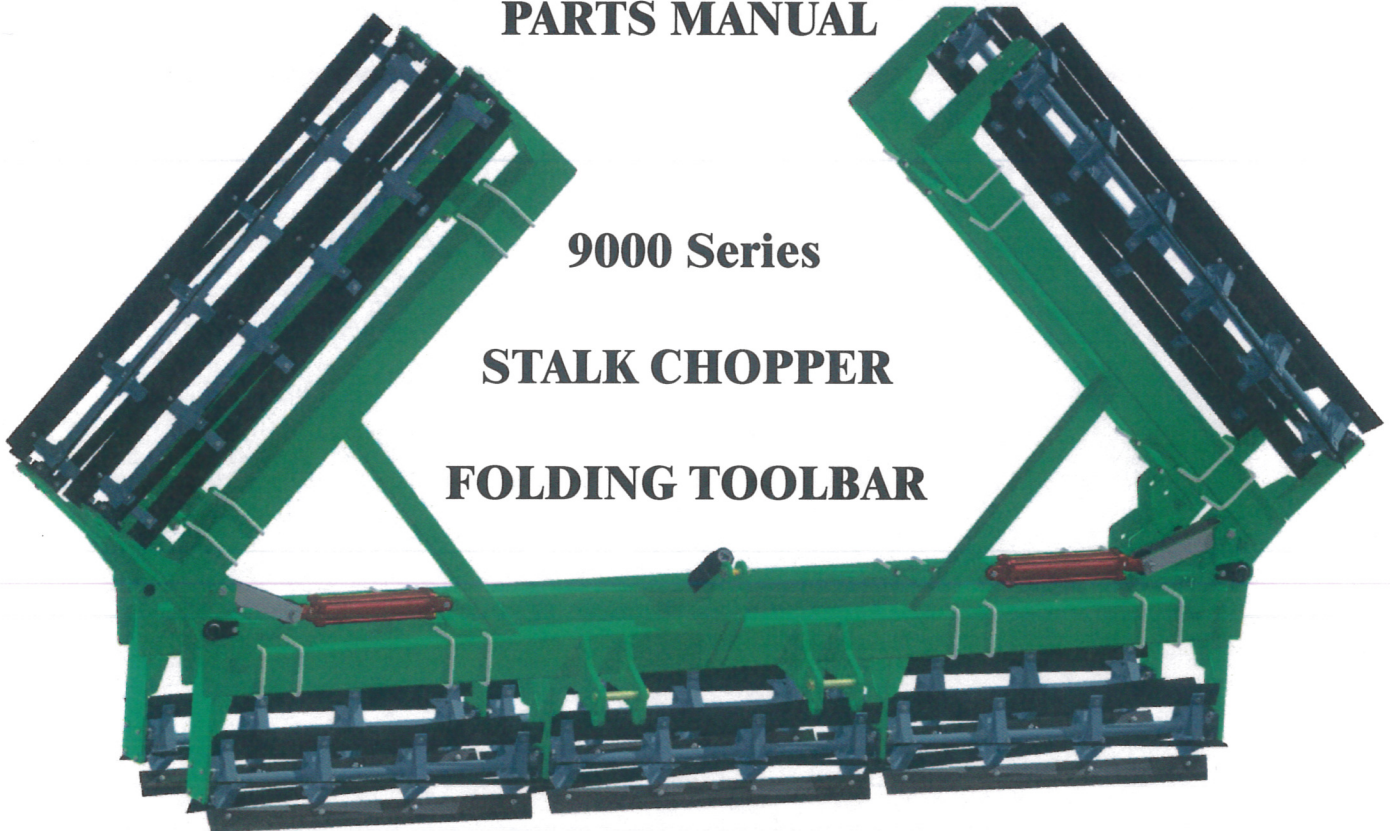


PARTS MANUAL

9000 Series

STALK CHOPPER

FOLDING TOOLBAR

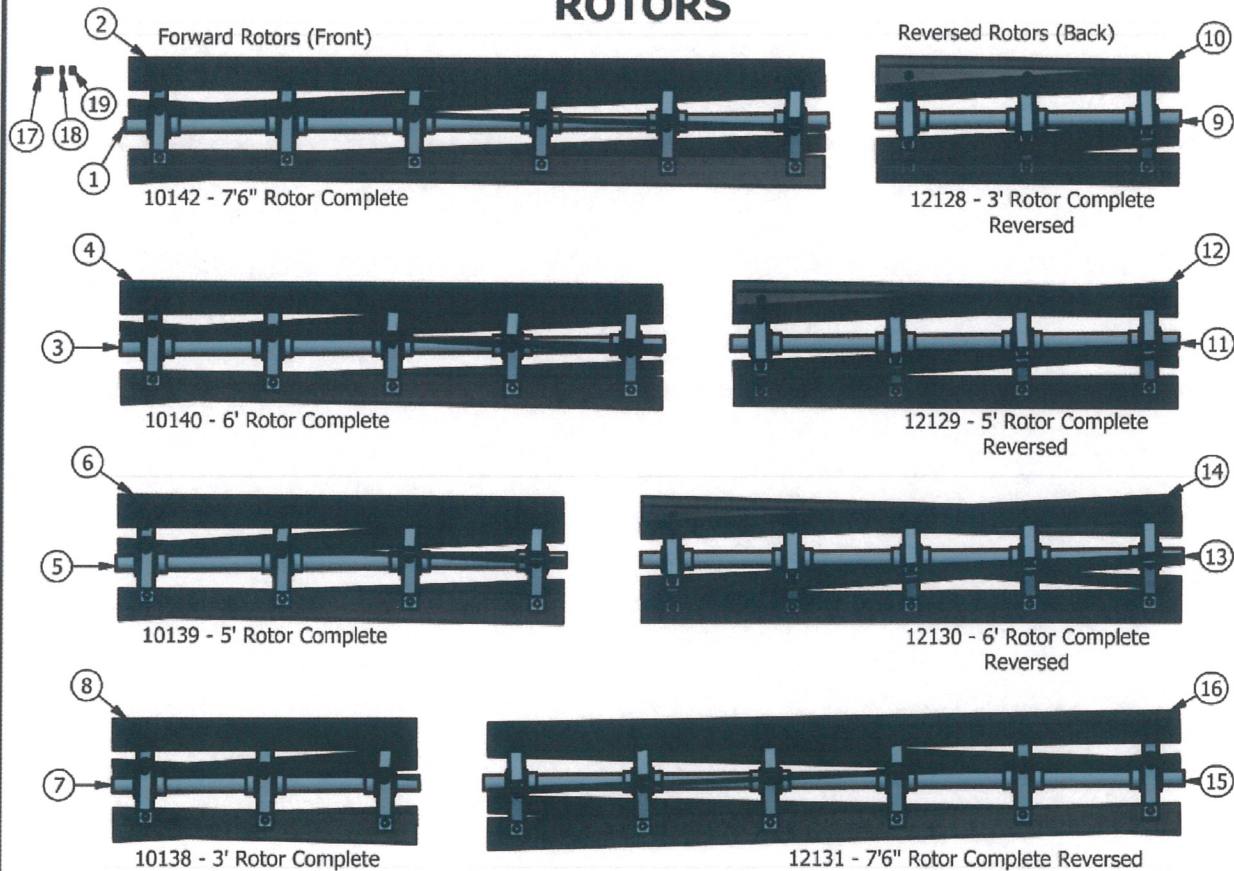


Model No's.

- 90830F 8 Row 30" Spacing**
- 90836F 8 Row 36" Spacing**
- 91030F 10 Row 30" Spacing**
- 91036F 10 Row 36" Spacing**
- 91230F 12 Row 30" Spacing**
- 91236F 12 Row 36" Spacing**
- 91630F 16 Row 30" Spacing**
- 91636F 16 Row 36" Spacing**

Updated: 7/30/2014

ROTORS



10142 7'6" Forward				
ITEM	PART#	DESCRIPTION	QTY	
10142	1	10129	7ft 6in rotor assembly	1
	2	10285	Blade	5
	17	90136	1/2" x 1-1/2" Bolt	30
	18	90134	1/2" Lock Washer	30
	19	90138	1/2" nut	30

10140	3	10128	6ft rotor	1
	4	10284	Blade	5
	17	90136	1/2" x 1-1/2" Bolt	25
	18	90134	1/2" Lock Washer	25
	19	90138	1/2" nut	25

10139	5	10127	5ft rotor	1
	6	10283	Blade	5
	17	90136	1/2" x 1-1/2" Bolt	20
	18	90134	1/2" Lock Washer	20
	19	90138	1/2" nut	20

10138	7	10126	3' Rotor	1
	8	10282	3' Blade	5
	17	90136	1/2" x 1-1/2" Bolt	15
	18	90134	1/2" Lock Washer	15
	19	90138	1/2" nut	15

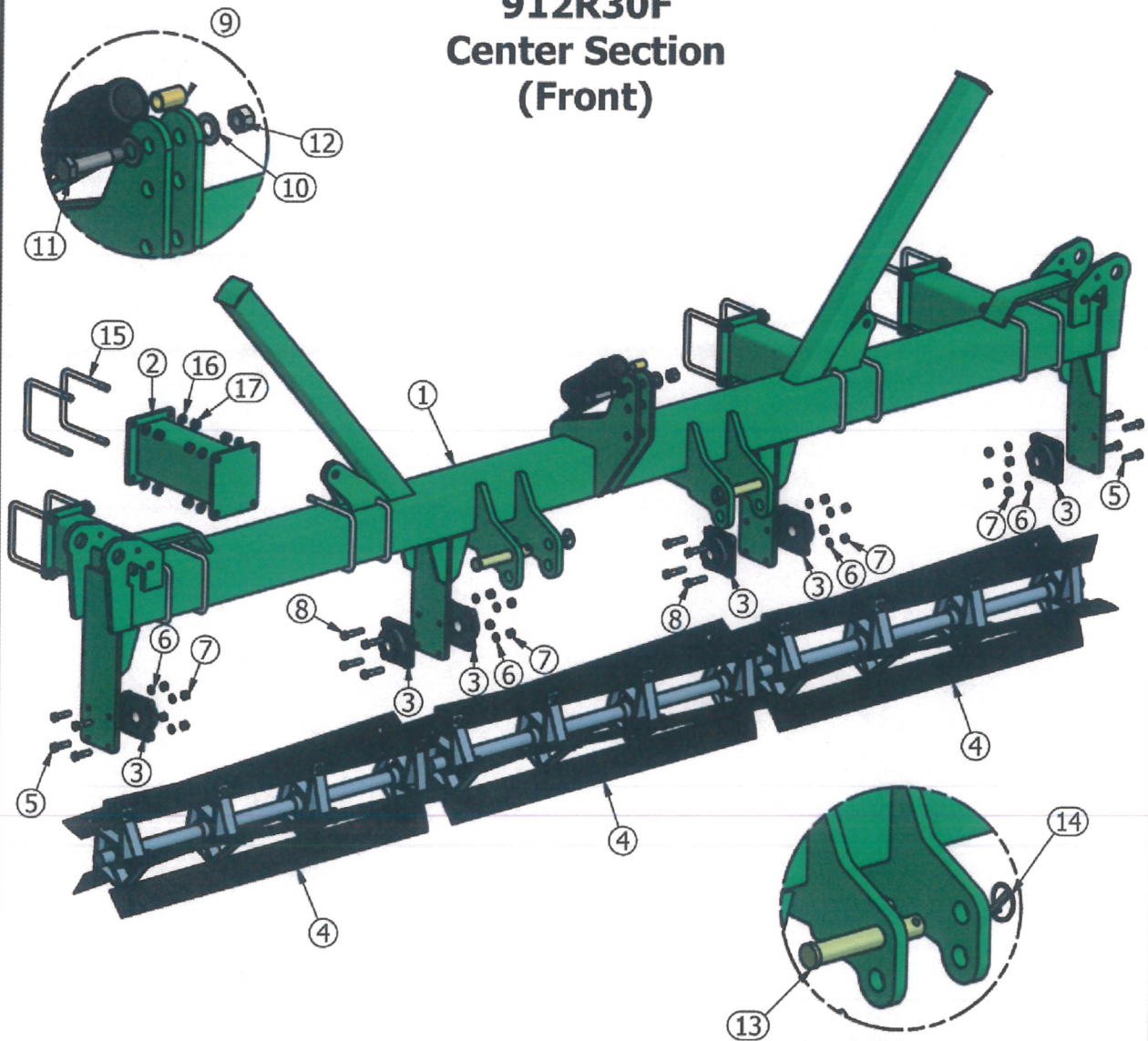
12128 3' Rear				
ITEM	PART#	DESCRIPTION	QTY	
12128	9	10124	3ft Rotor Reversed	1
	10	10282	3 Ft Blade Reversed	5
	17	90136	1/2" x 1-1/2" Bolt	15
	18	90134	1/2" Lock Washer	15
	19	90138	1/2" nut	15

12129	11	12125	5' Rotor Reversed	1
	12	12121	5' Blade Reversed	5
	17	90136	1/2" x 1-1/2" Bolt	20
	18	90134	1/2" Lock Washer	20
	19	90138	1/2" nut	20

12130	13	10126	6' Rotor Reversed	1
	14	12122	6' Blade Reversed	5
	17	90136	1/2" x 1-1/2" Bolt	25
	18	90134	1/2" Lock Washer	25
	19	90138	1/2" nut	25

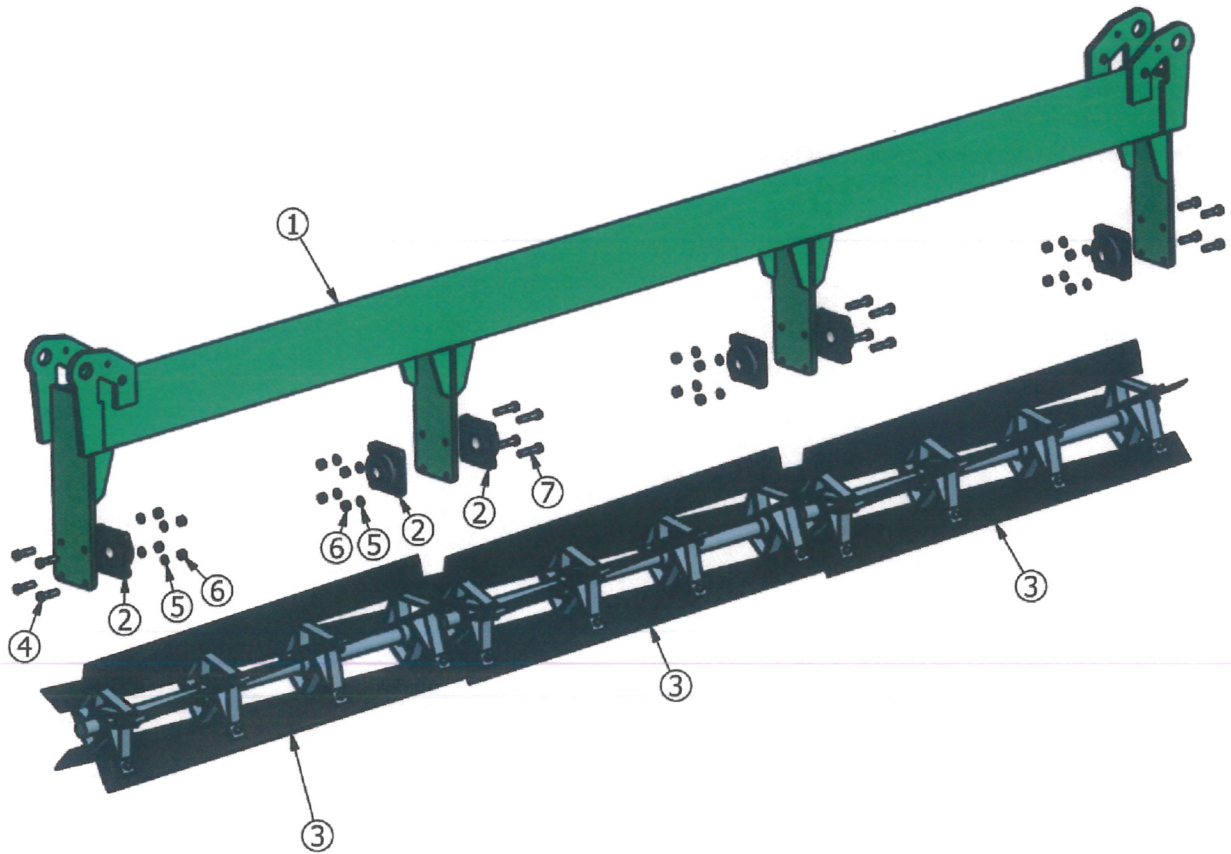
12131	15	12127	7' 6" Rotor Reversed	1
	16	12123	7' 6" Blade Reversed	5
	17	90136	1/2" x 1-1/2" Bolt	30
	18	90134	1/2" Lock Washer	30
	19	90138	1/2" nut	30

912R30F Center Section (Front)



PARTS LIST				PARTS LIST			
ITEM	PART#	DESCRIPTION	QTY	ITEM	PART#	DESCRIPTION	QTY
1	12159	901230F Front toolbar	1	10	90112	1" Washer	2
2	10131	Spacer Bar	4	11	90110	1 x 4-3/8" Bolt	1
3	10606	1-15/16" Bearing	6	12	90111	1in Deformed Nut	1
4	10139	5ft Rotor Complete Assembly	3	13	90114	Cat 3 pin	2
5	90135	5/8" x 3" Bolt	8	14	90116	Lynch Pin 7/16" x 1-3/4"	2
6	90123	5/8" Lock Washer	16	15	90139	7-1/8" x 9" x 3/4" u-bolt	16
7	90137	5/8" Nut	16	16	90158	3/4" Lock washer	32
8	90151	5/8" x 3" Bolt	8	17	90160	3/4" Nut	32
9	90109	Top Link Bushing	1				

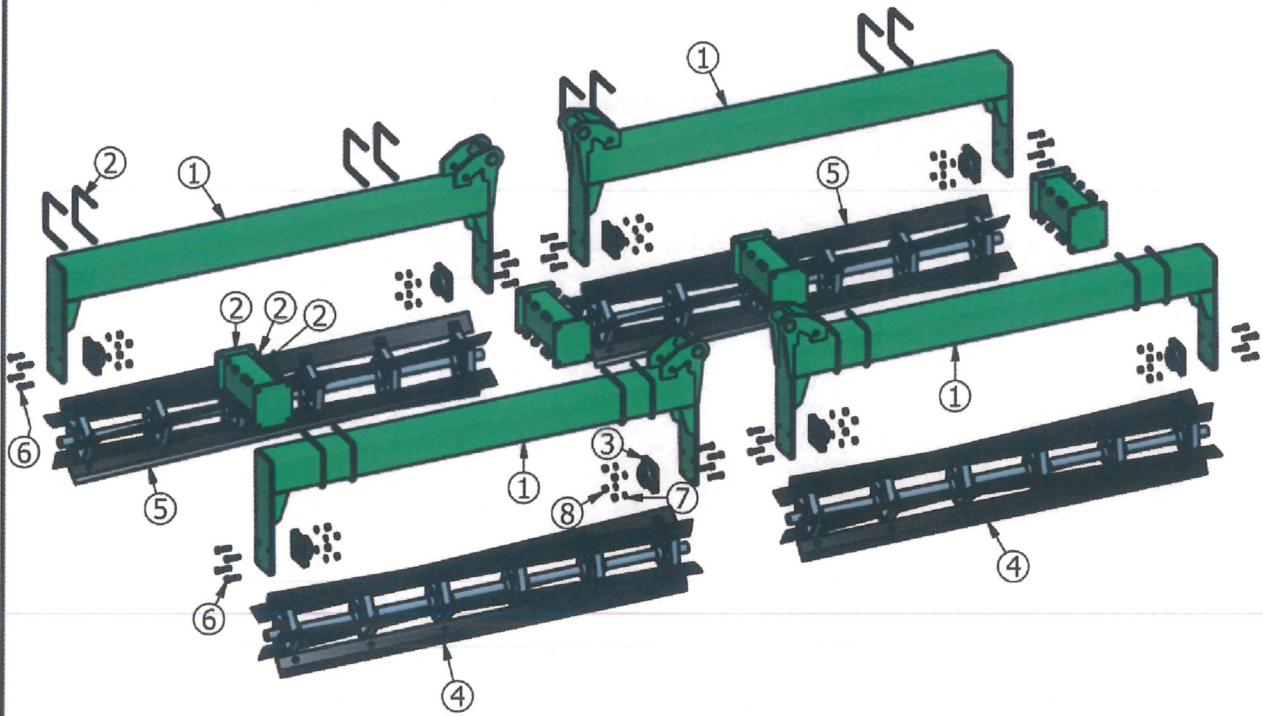
91230F Center Section Rear



PARTS LIST

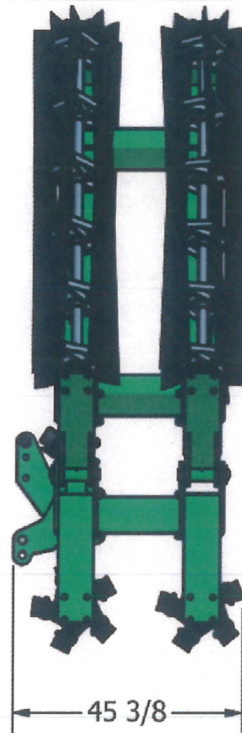
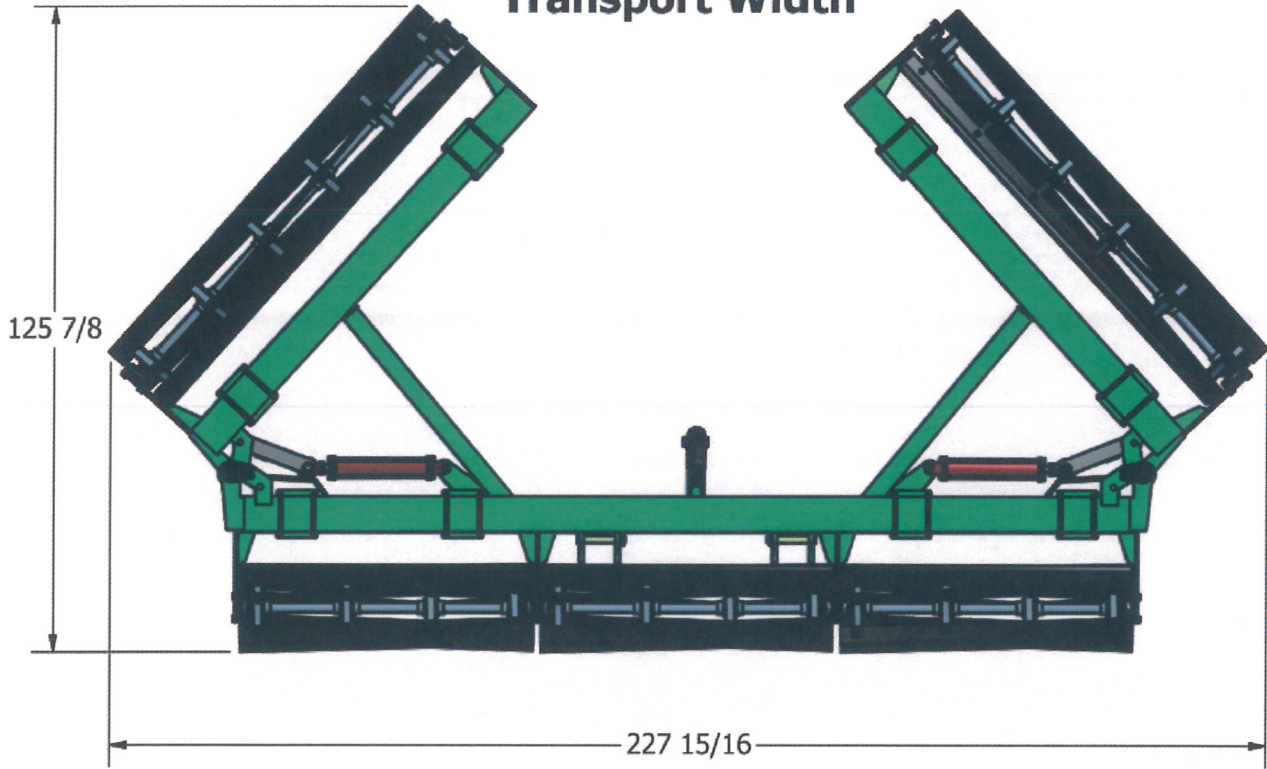
ITEM	PART NUMBER	DESCRIPTION	QTY
1	12160	901230F Back toolbar	1
2	10606	1-15/16" Bearing	6
3	12129	5' Reversed Rotor Complete	3
4	90135	5/8" x 3" Bolt	8
5	90123	5/8" Lock Washer	17
6	90137	5/8" Nut	16
7	90151	5/8" x 3" Bolt	8

91230F Wing Assembly

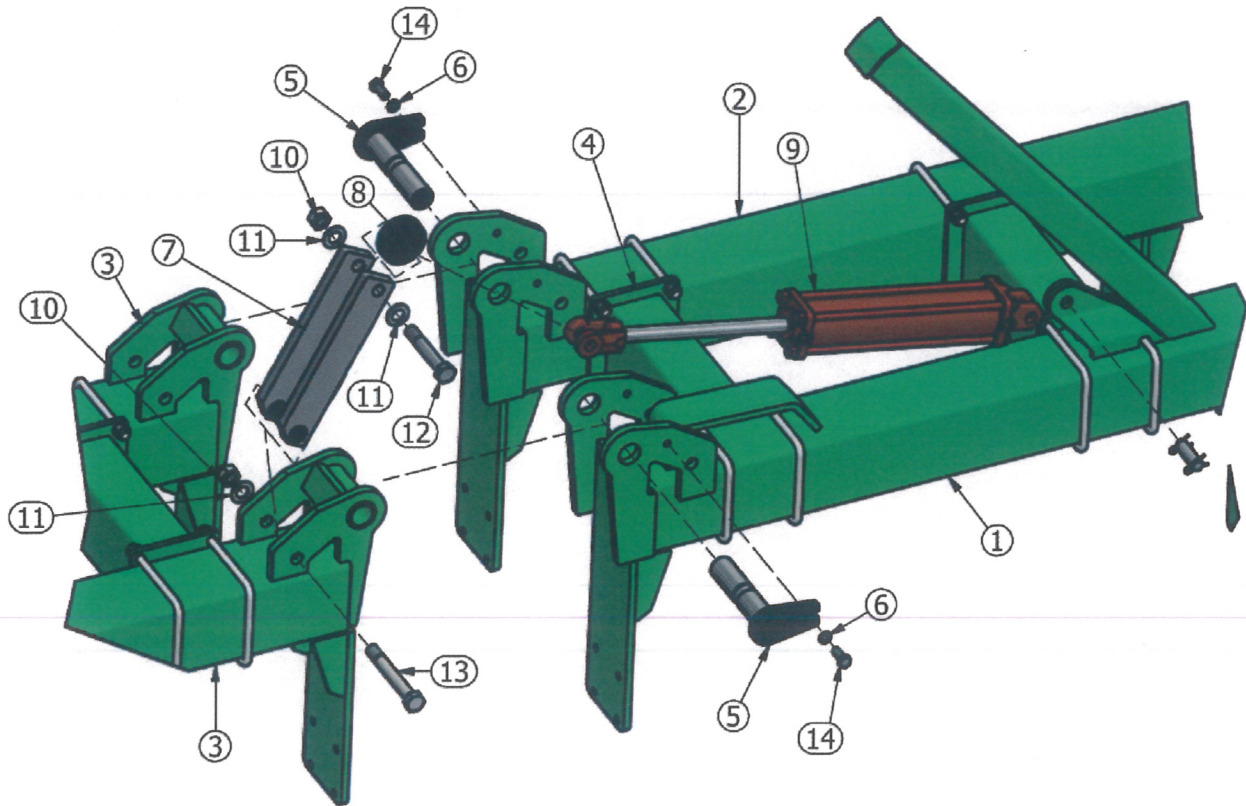


PARTS LIST				PARTS LIST			
ITEM	PART#	DESCRIPTION	QTY	ITEM	PART#	DESCRIPTION	QTY
1	12165	Toolbar Wing 3 Row 30"	4	7	90123	5/8" Lock Washer	32
2	10131	Spacer Bar	4	8	90137	5/8" Nut	32
3	10606	1-15/16" Bearing	8	9	90139	7-1/8" x 9" x 3/4" u-bolt	16
4	10142	7'6" Rotor Assembly	2	10	90158	3/4" Lock Washer	32
5	12131	7'6" Rotor Assy Reversed	2	11	90160	3/4" Nut	32
6	90135	5/8" x 3" Bolt	32				

91230F Transport Width



9000 Series Wing Hinge Assembly



PARTS LIST				PARTS LIST			
ITEM	PART #	DESCRIPTION	QTY	ITEM	PART #	DESCRIPTION	QTY
1	12159	901230F Front toolbar	1	8	10366	Cylinder Roller (Folding)	2
2	12160	901230F Back toolbar	1	9	10627	4" Hydraulic Cylinder	2
3	12165	Toolbar Wing 3 Row 30"	4	10	90111	1in Deformed Nut	5
4	10131	Spacer Bar	8	11	90112	1" Washer	8
5	10548	Hinge pin 1-15/16" x 9-5/8"	4	12	90310	1" x 7-1/2" Bolt cut to 6-1/4"	2
6	90123	5/8" Lock Washer	4	13	10810	1" x 9" Bolt cut to 7-3/4"	2
7	10360	Wing Lever Weldment	2	14	90153	5/8" x 1-1/2" Bolt	4