



Quality Built Since 1973

INSTALLATION AND SETUP MANUAL

**3000 SERIES BALE LOADER
12 Volt Electric over Hydraulic**



Please fill out the attached warranty card and return to Besler Industries, Inc.

Keep the Following information for your own record:

Name of Dealer: _____

Date of Purchase: _____

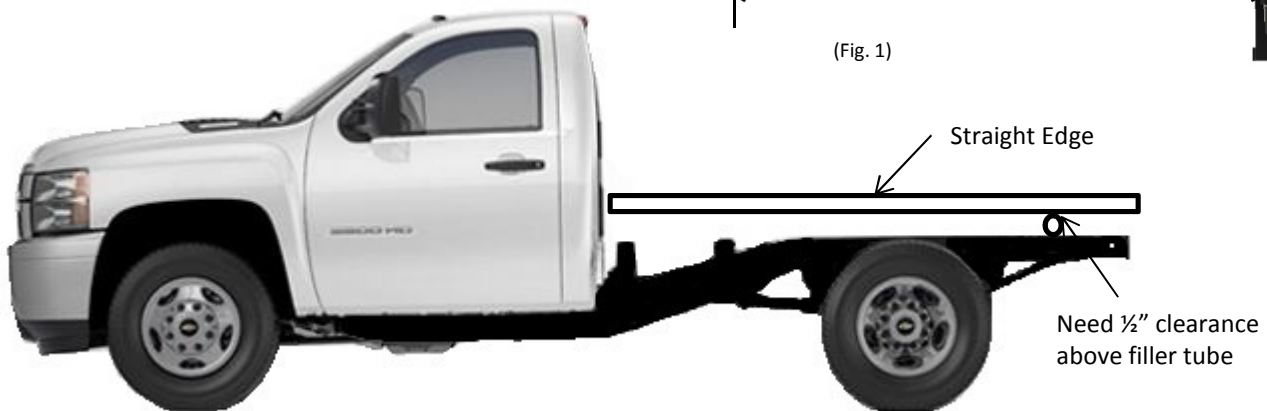
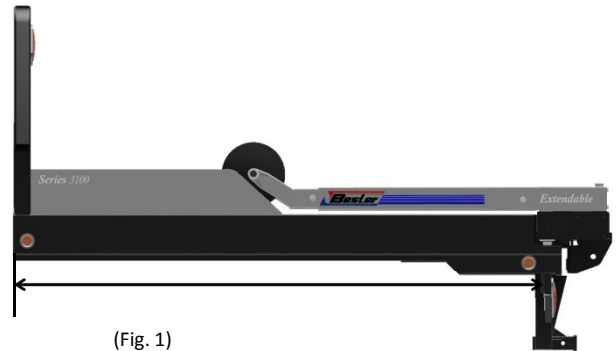
Model Number: _____

Serial Number; _____

Notes: _____

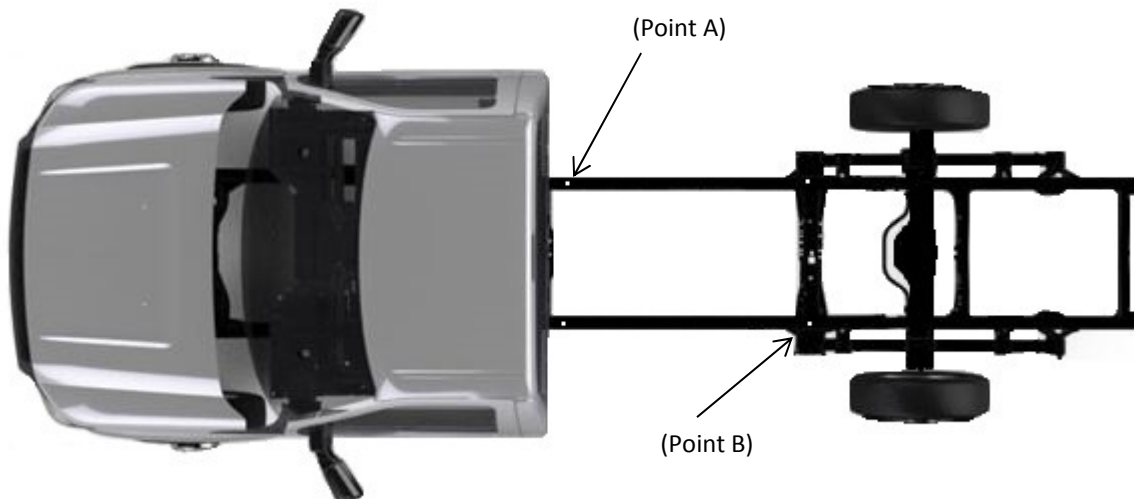
MODEL 3000 FLAT BED BALE LOADER INSTALLATION INSTRUCTIONS

- 1) Remove box from truck.
- 2) Cut truck frame to length. Measure from front of bed to backside of license plate panel. (Fig 1)(Save removed pieces for future Replacement)
- 3) Measure fuel filler tube if it is above the frame and make sure there is $\frac{1}{2}$ " clearance above it.
- 4) Lay Straight edge along and parallel to truck frame rail

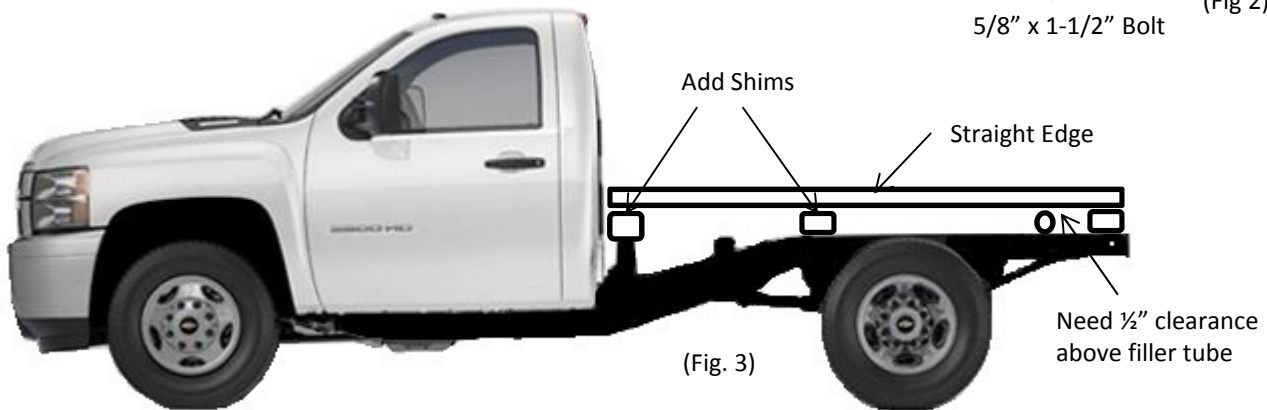
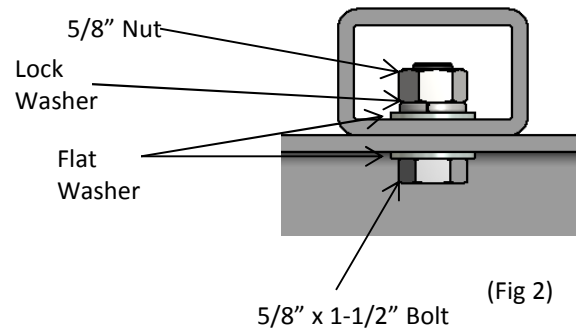


- 5) Center 2" x 3" tube at the front set of existing box mounting holes. (Point A)

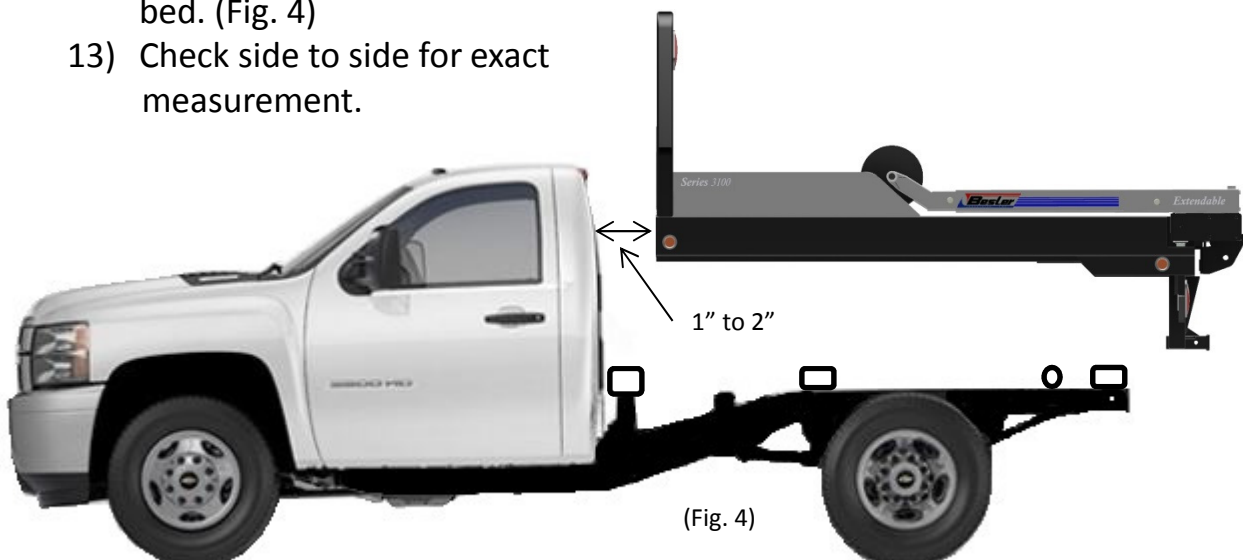
NOTE: If truck frame rails are over 38" wide, 2" x 3" tubes must be provided by the installer.



- 6) Drill tube to match existing holes in truck frame (5/8" Diameter)
- 7) Repeat Steps 5 & 6 for the 2" x 3" for (Point B)
- 8) Bolt tubes to truck frame rails using 5/8" x 1-1/2" bolts, lockwashers, washer and nuts. (Fig 2)
- 9) Add Shims to the top of tubes to get the straight edge parallel and level to truck frame. (Fig. 3)

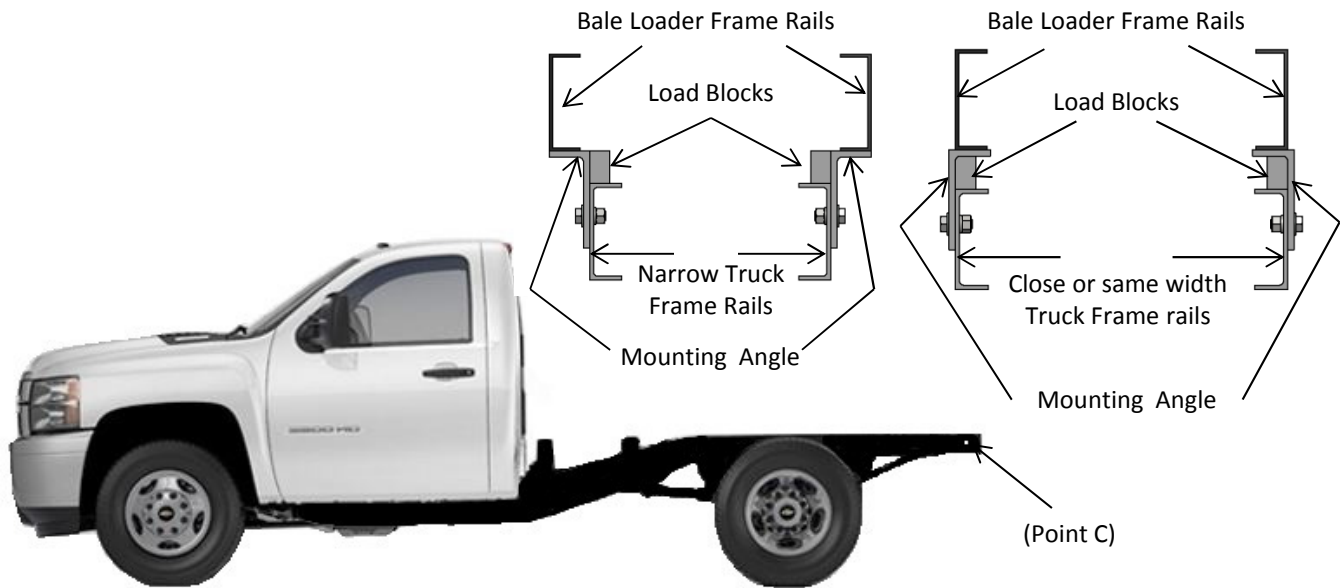


- 10) Double check clearance for fuel filler tube.
- 11) Weld Shims all around on top of crosstubes
NOTE: All welding should be done by a qualified professional.
- 12) Center Flat bed on truck leaving 1" to 2" from back of cab to front of flat bed. (Fig. 4)
- 13) Check side to side for exact measurement.



- 14) Double check all measurements and clearance
 - Check cab to front of bed
 - Fuel Filler Clearance
 - Hydraulic Pan to truck frame

- 15) Bolt Angles to existing holes in truck frame (Point C)

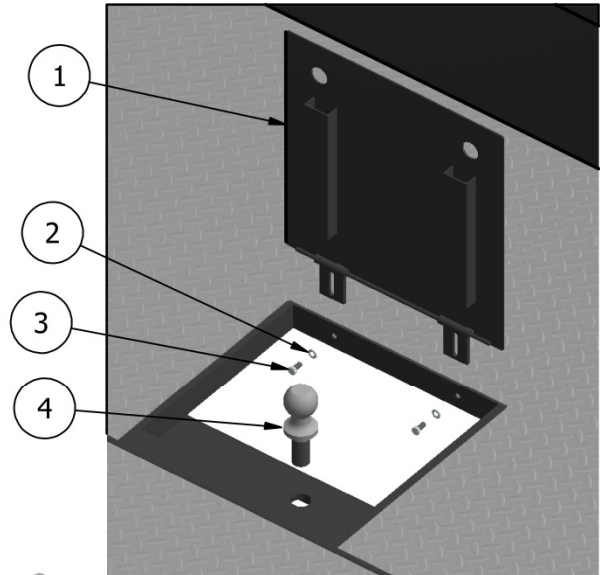


- 16) Cut load blocks to length and clamp to mounting angle. Load blocks will carry all of the weight of flat bed and cargo when properly installed.
- 17) Weld Load Blocks to mounting angles, weld angles to flat bed rails.
CAUTION: DO NOT WELD ANY PART OF THE FLAT BED TO THE TRUCK FRAME RAILS.
- 18) Weld front tubes and shims to flat bed rails.

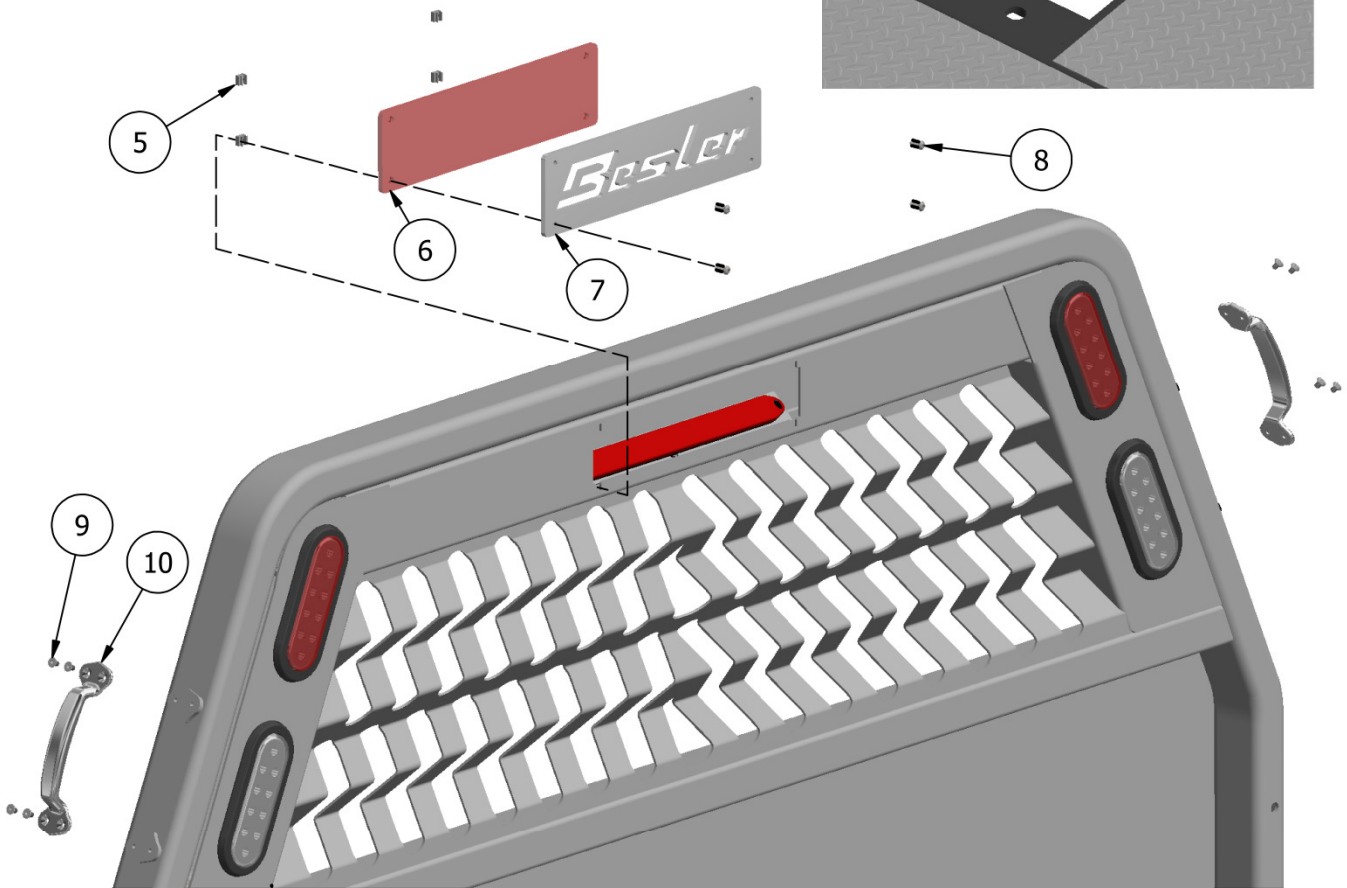


5th Wheel Ball

Upgraded Features



Headache Rack Additions

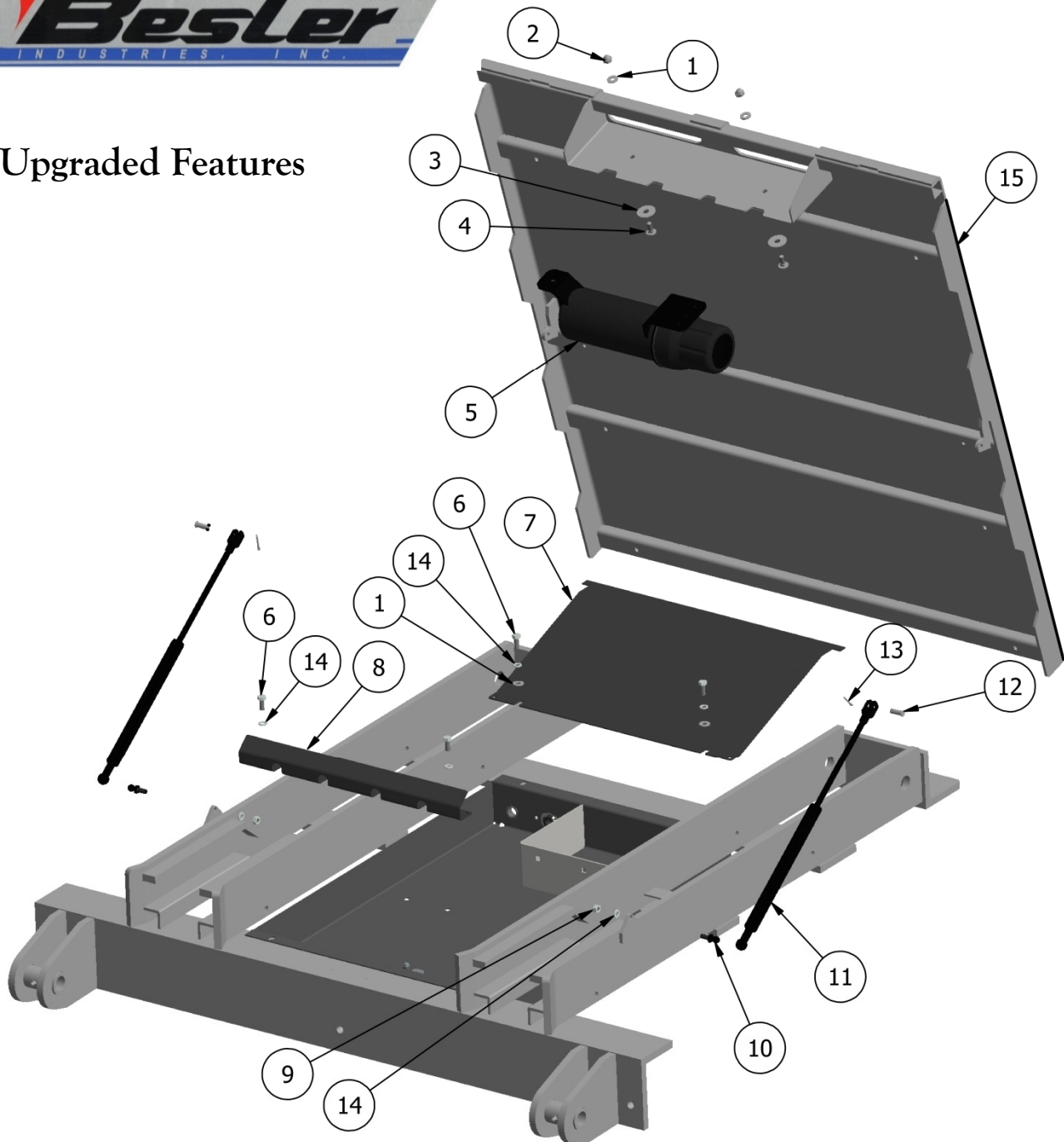


TABLE

I.D.	Part #	Description	Qty	I.D.	Part #	Description	Qty
1	13532	5th Wheel Door Assembly	1	6	17802	Red Plastic Lens	1
2	90224	3/8" Flat Washer	2	7	17801	Besler Logo Plate	1
3	90119	3/8" x 3/4" Bolt	2	8	17800	1/4" x 5/8" Allen Head Bolt	4
4	10704	2-5/16 x 1-3/8" x 1" Raised Ball	1	9	17421	1/4" Flanged Head Screw	8
5	17803	1/4" Cage Nut	4	10	17693	Chrome Grab Handle	2



Upgraded Features

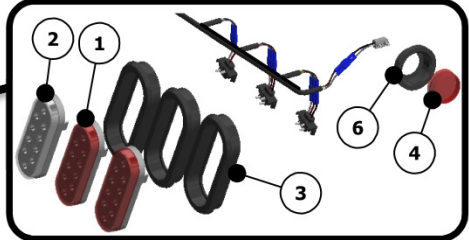
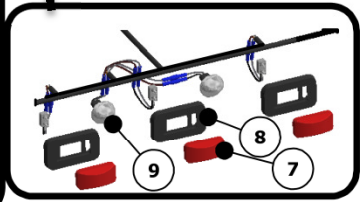
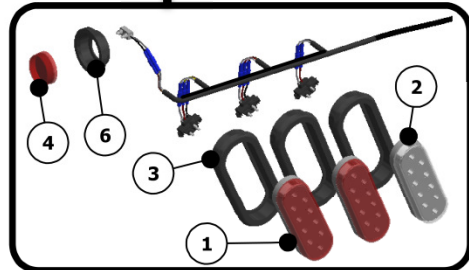
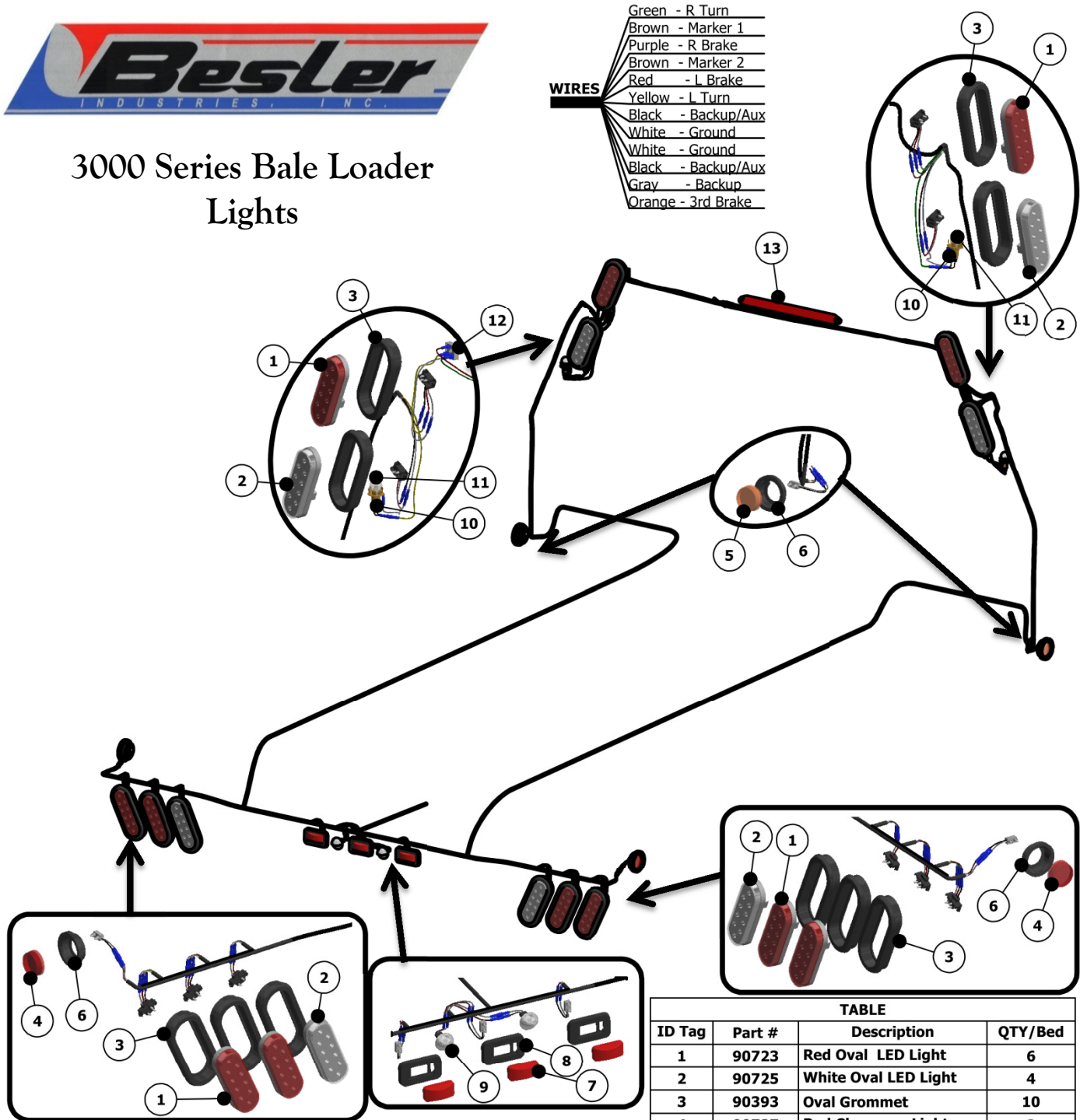


ID Tag	Part #	Description	QTY/Bed	ID Tag	Part #	Description	QTY/Bed
1	90437	1/4" Flat Washer	4	9	90253	5/16" Nut	2
2	11931	5/16" Acorn Nut	2	10	17502	Ball Stud Bolt	2
3	11971	3/8" x 1-1/4" Fender Washer	2	11	17500	Gas Spring	2
4	90469	5/16" x 3/4" Carriage Bolt	2	12	17807	5/16" x 7/8" Clevis Pin	2
5	11641	Owners Manual Tube	1	13	12163	1/8" x 3/4" Cotter Pin	2
6	90107	5/16" x 3/4" Bolt	4	14	90106	5/16" Lock Washer	6
7	17740	Front Dust Shield	1	15	17522	Pump Door	1
8	12166	Rear Dust Shield	1				



3000 Series Bale Loader Lights

- WIRES**
- Green - R Turn
 - Brown - Marker 1
 - Purple - R Brake
 - Brown - Marker 2
 - Red - L Brake
 - Yellow - L Turn
 - Black - Backup/Aux
 - White - Ground
 - White - Ground
 - Black - Backup/Aux
 - Gray - Backup
 - Orange - 3rd Brake



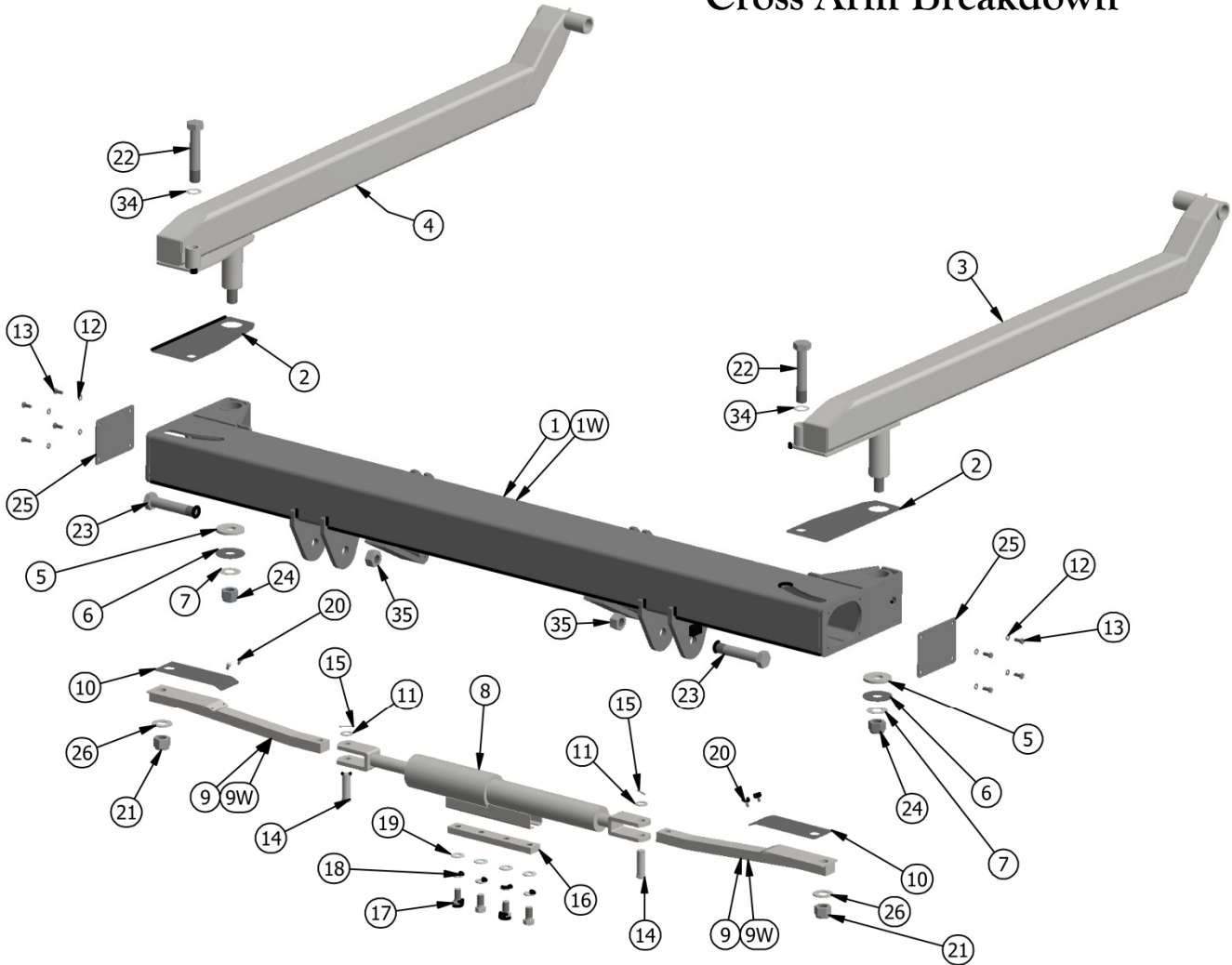
All Wire Harnesses are the same they only vary in length. To get the correct Length, Measure the distance of tread plate on the bed from the very front to the back. Below are the Sizes of wire harness for narrow and wide beds.

Part#	Narrow Bed	Part#	Wide Bed
12918NS	86" Wire Harness	12904NS	99" Wire Harness
12901NS	99" Wire Harness	12906NS	106" Wire Harness
12908NS	108" Wire Harness	12910NS	108" Wire Harness
12920NS	112" Wire Harness	12914NS	112" Wire Harness
		12924NS	122" Wire Harness
		12912NS	132" Wire Harness
		12992NS	138" Wire Harness

TABLE			
ID Tag	Part #	Description	QTY/Bed
1	90723	Red Oval LED Light	6
2	90725	White Oval LED Light	4
3	90393	Oval Grommet	10
4	90727	Red Clearance Light	2
5	90726	Amber Clearance Light	2
6	10794	Round Grommet	4
7	17523	Red Rectangle Light	3
8	17524	Rectangle Grommet	3
9	17763	License Plate Light	2
10	17688	Light Socket	2
11	17649	Light Bulb	2
12	17648	Brake Logic Box	1
13	17647	Center Stop Tail Light	1



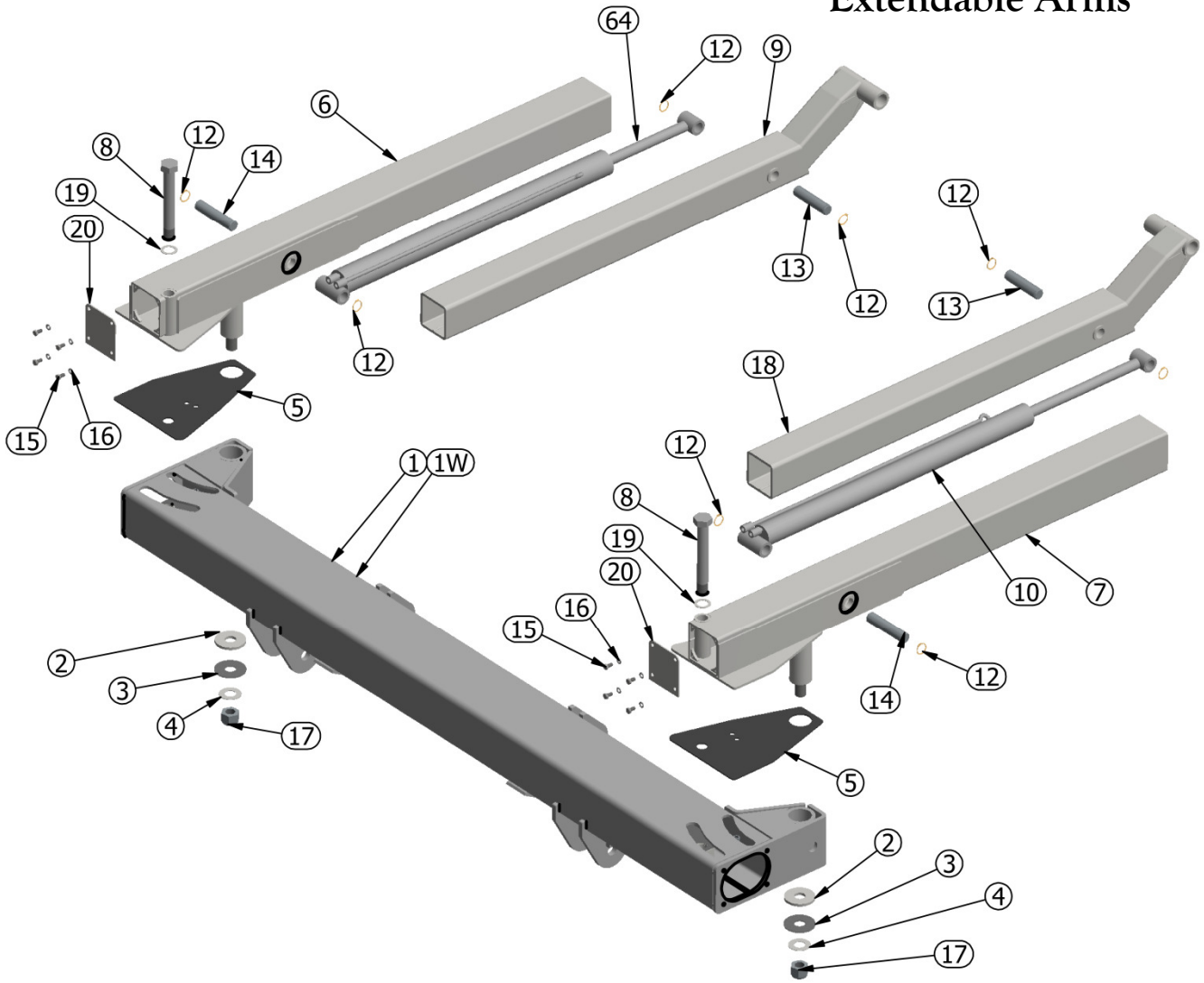
3000 Series Bale Loader Cross Arm Breakdown



PARTS LIST				PARTS LIST			
ITEM	PART #	DESCRIPTION	QTY	ITEM	PART#	DESCRIPTION	QTY
1	10501	Cross Arm Frame - Narrow	1	14	90195	Clevis Pin 3/4"	2
1W	10448	Cross Arm Frame - Wide	1	15	90105	Cotter Pin 5/32" x 1"	2
2	10514	Nylon Wear Plate	2	16	10535	Plate Threaded 5-8 UNF	1
3	10502	Loader Arm Right	1	17	90122	5/8" x 1-1/4" Bolt	4
4	10503	Loader Arm Left	1	18	90123	5/8" Lock Washer	4
5	90404	2-3/4" x 1" Washer	2	19	90124	5/8" Flat Washer	4
6	10717	Washer Nylon	2	20	90227	1/4" x 1/2" Bolt	4
7	90126	Shim 18 Guage x 1 ID	2	21	90154	1" Nylock Nut	2
8	10518	Cylinder - Master Slave	1	22	90176	1" x 7" ALT. to 5-3/8"Bolt	2
9	10519	Cylinder Extension Bar - Narrow	2	23	90177	1" x 7" ALT. to 5-1/8"Bolt	2
9W	10730	Cylinder Extension Bar - Wide	1	24	90108	1" Nylock Nut	2
10	10515	Nylon Wear Plate -Set	2	25	10522	Cross Arm End Cap	1
11	10516	Bushing 1-1/4" x 3/4"	2	26	90220	1" Washer	2
12	90106	5/16" Lock Washer	1	34	10506	Bushing 1-1/2" x 1"	2
13	90107	5/16" x 3/4" Bolt	1	35	90111	1in Deformed Nut	2



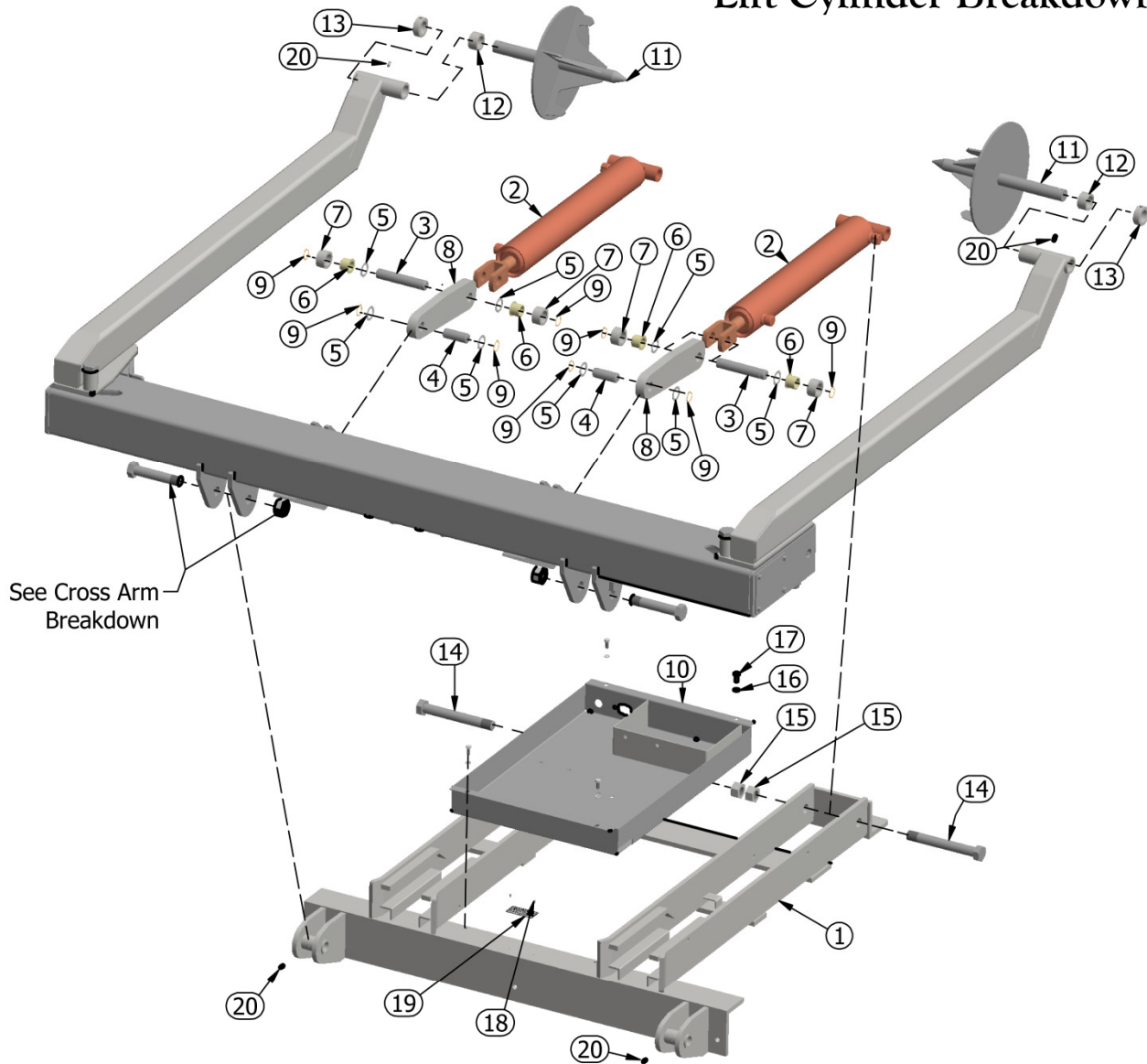
3000 Series Bale Loader Cross Arm Breakdown Extendable Arms



PARTS LIST				PARTS LIST			
ITEM	PART#	DESCRIPTION	QTY	ITEM	PART #	DESCRIPTION	QTY
1	93073	Cross Arm Frame - Ext.	1	11	13589	Extendable Arm Cyl. LH	1
1W	12165	Cross Arm Frame - Wide Ext.	1	12	10943	1in Snap Ring	8
2	90404	2-3/4 x 1 washer	2	13	93028	Pin Cyl Ram - Short	2
3	10717	Nylon Spacer 2-7/8 x 1	2	14	93029	Pin Cyl Base - Long	2
4	90126	Shim 18 Guage x 1 ID	2	15	90292	5/16" x 5/8" SS Bolt	8
5	13591	Nylon Wear Plate	2	16	90293	5/16" SS Lock Washer	8
6	13574	Arm Assy Left	1	17	90108	1" Nylock Nut	4
7	13598	Arm Assy Right	1	18	13653	Extention Tube LH Complete	1
8	13579	1' x 9" ALT. to 7-1/4" Bolt	2	19	10506	1-1/2" x 1" Bushing	2
9	13596	Extention Tube RH Complete	1	20	94030	End Cap	2
10	13588	Extendable Arm Cyl. RH	1				



3000 Series Bale Loader Lift Cylinder Breakdown



PARTS LIST				PARTS LIST			
ITEM	PART #	DESCRIPTION	QTY	ITEM	PART #	DESCRIPTION	QTY
1	10500	3000 elec Main Frame	1	11	10504	Spinner 15"	2
2	10512	Cylinder 3 x 20	2	12	10505	Spacer 1" x 1-1/4" x 1-3/4"-15"	2
3	10509	Pin Headless 1" x 5-1/2"	2	13	90102	Spinner lock collar 1-1/4"	2
4	10511	Pin Headless 1" x 2-1/8"	2	14	12167	1" x 9-1/2" Cut to 7-1/2" Bolt	2
5	10506	1-1/2" x 1" Bushing	12	15	90111	1in Deformed Nut	2
6	10507	Nylon Bushing	4	16	90106	5/16" Lock Washer	4
7	10508	Roller	4	17	90107	5/16" x 3/4" SS Bolt	4
8	10510	Lift Arm 2000-3000	2	18	10292	#6 x 1/4" Drive rivet	2
9	10943	1" Snap Ring	8	19	10898	Serial Number Plate	1
10	10523	Hydra Pan	1	20	90101	Zerk 1/4-28 Straight	1



3000 Series Bale Loader Hydraulic Hose Setup

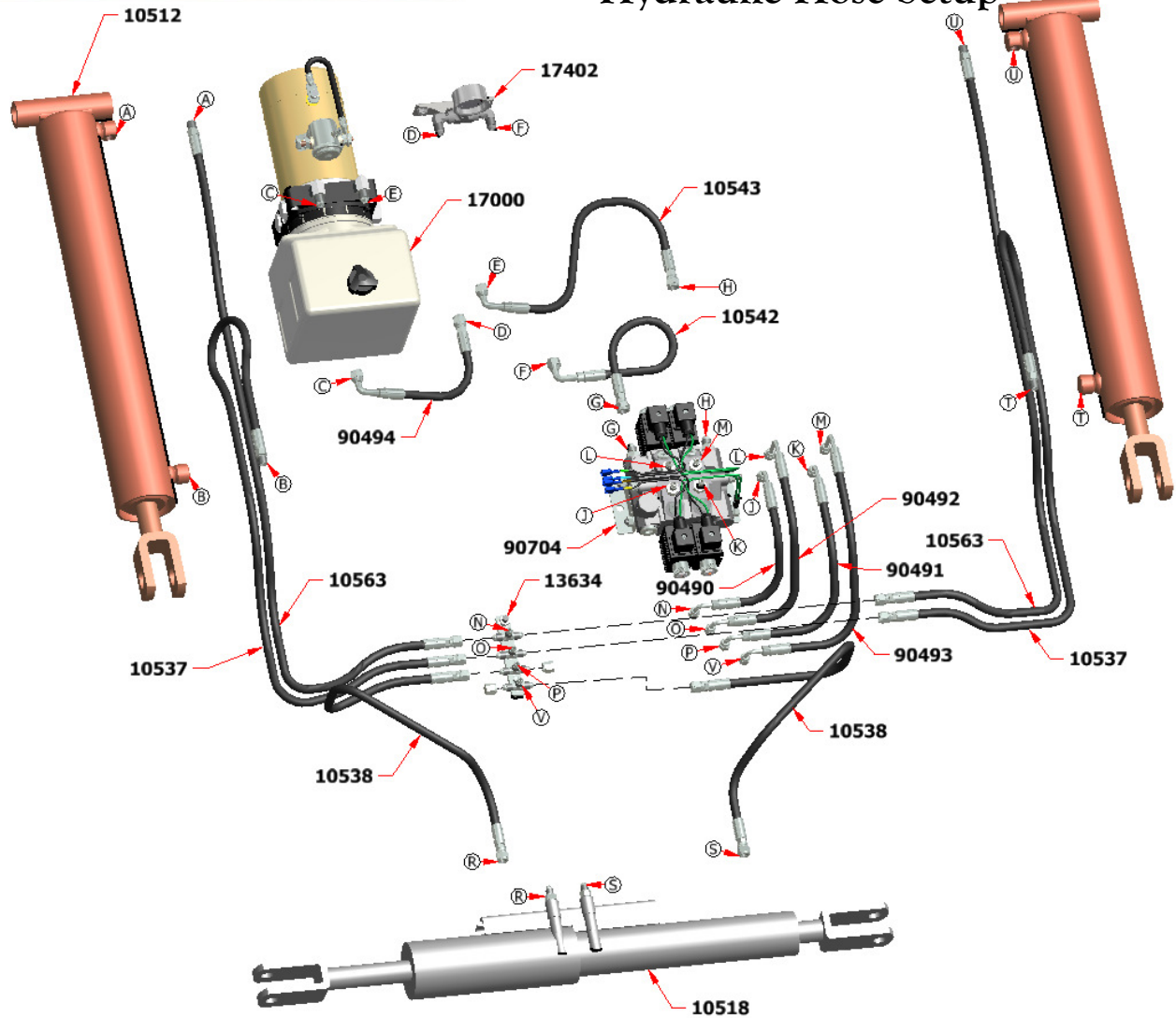
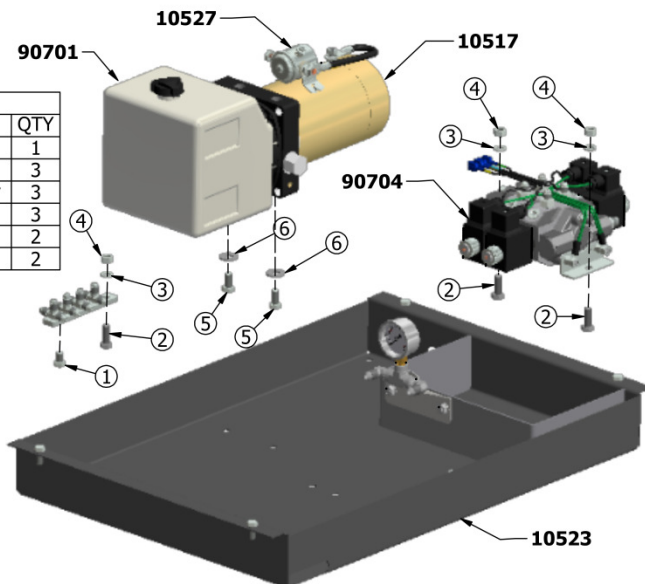


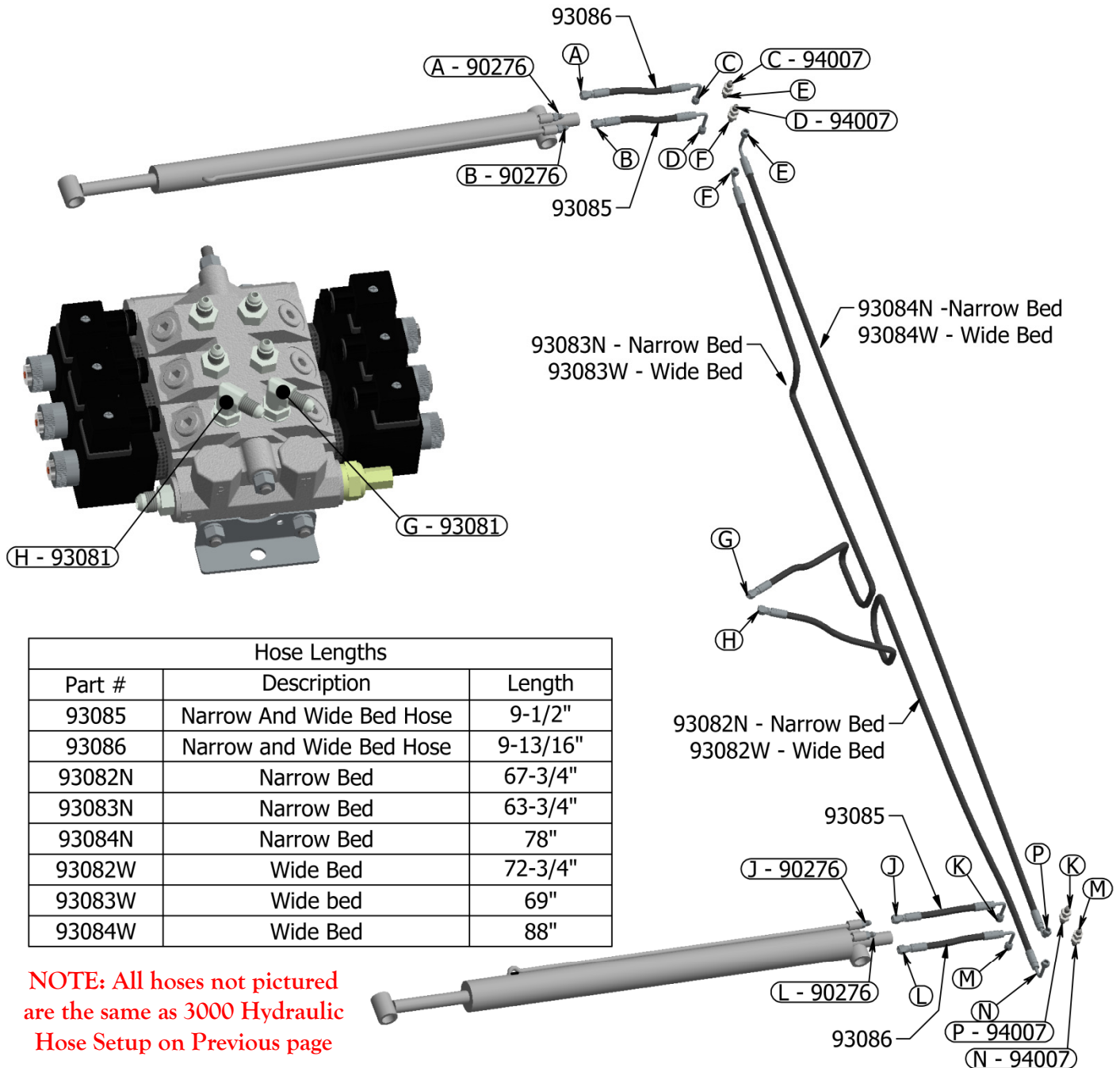
TABLE			
ITEM	PART #	DESCRIPTION	QTY
1	90416	3/8" x 1/2" Bolt	1
2	90120	3/8" x 1" Bolt	3
3	90121	3/8" Lock Washer	3
4	90118	3/8" Nut	3
5	90119	3/8" x 3/4" Bolt	2
6	90224	3/8" Flat Washer	2

NOTE: For Hydraulic Fluid use 5w or less hydraulic or transmission fluid.





3000 Series Bale Loader Hydraulic Hose Setup Extendable Arms



Hose Lengths		
Part #	Description	Length
93085	Narrow And Wide Bed Hose	9-1/2"
93086	Narrow and Wide Bed Hose	9-13/16"
93082N	Narrow Bed	67-3/4"
93083N	Narrow Bed	63-3/4"
93084N	Narrow Bed	78"
93082W	Wide Bed	72-3/4"
93083W	Wide bed	69"
93084W	Wide Bed	88"

NOTE: All hoses not pictured are the same as 3000 Hydraulic Hose Setup on Previous page

Hydraulic Fittings		
Part #	Description	Qty
93081	Male Boss 90 Elbow - 1/4 JIC x 3/8 Oring, 6801-04-06	2
90276	Male Connector - 1/4 JIC x 3/8 Male Pipe, 2404-04-06	4
94007	Bulkhead Union - 1/4 JIC x 1/4 JIC, 2700LN-04-04	4



3000 Series Bale Loader Hydraulic Fittings for Both 3000 & Extendable

Colored Balloons are
Extendable Arms Only

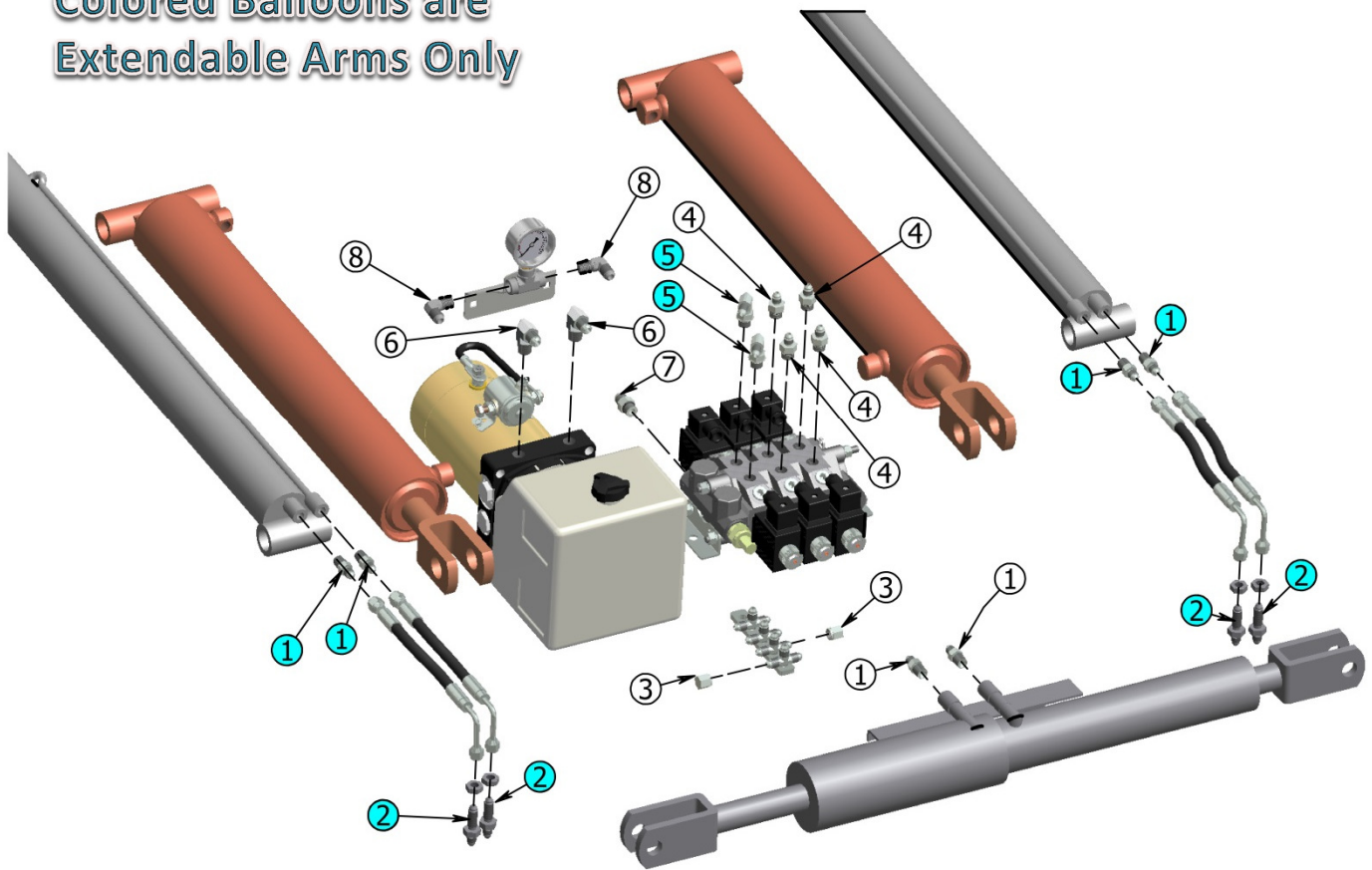
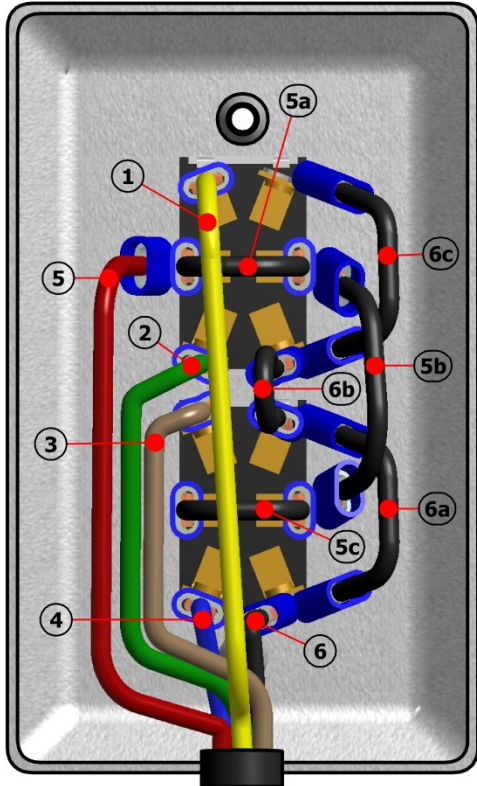


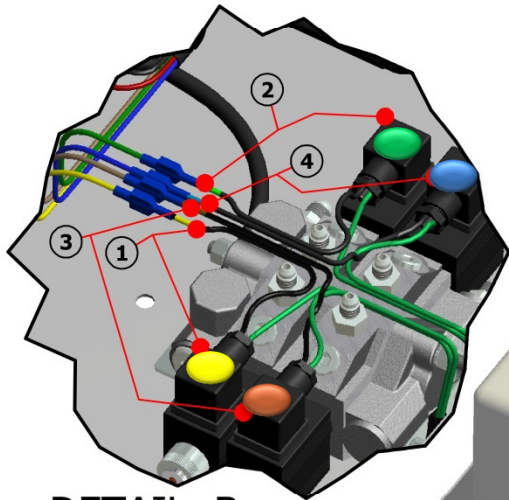
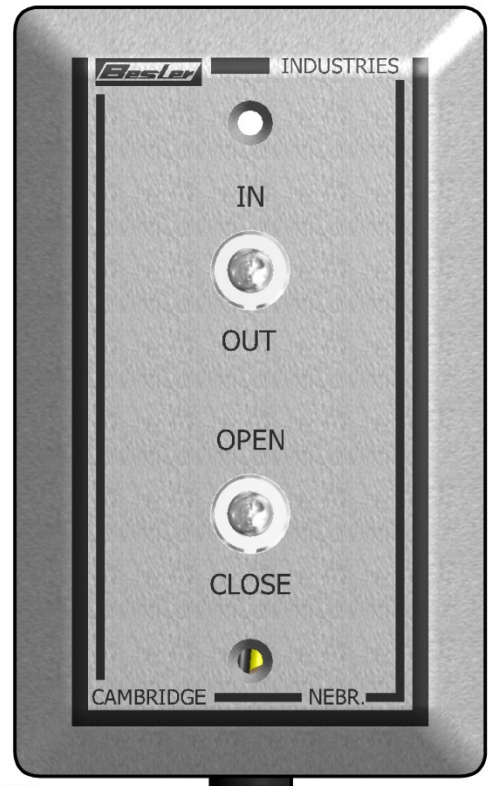
TABLE				
ITEM	PART #	DESCRIPTION	QTY - 3000	QTY - Extendable
1	90276	Male JIC Fitting	2	6
2	94007	Bulkhead Union	0	4
3	90281	Female Cap	2	2
4	90472	O-ring Fitting	4	4
5	93081	90 O-ring elbow	0	2
6	90470	90 O-ring elbow	2	2
7	90278	O-ring Fitting	1	1
8	17388	90 Elbow	2	2



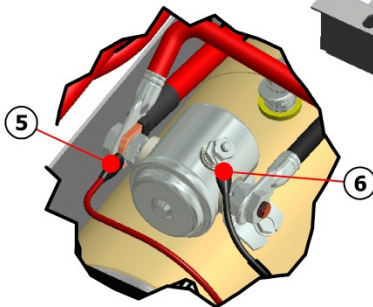
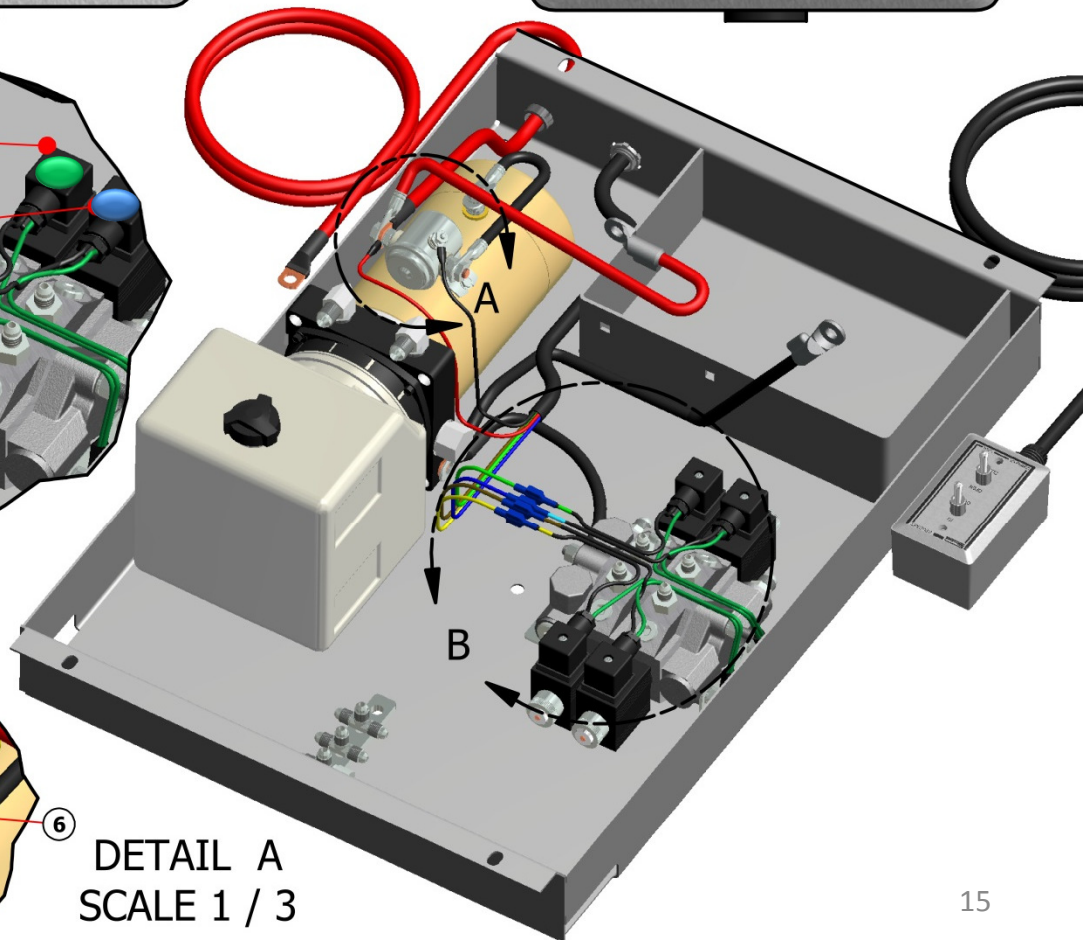
3000 Series Bale Loader Controller Cord



- 1. Yellow Wire (IN)
- 2. Green Wire (OUT)
- 3. Brown Wire (OPEN)
- 4. Blue Wire (CLOSE)
- 5. Red Wire (12v Power)
- 5a. Black Wire (12v Jumper)
- 5b. Black Wire (12v Jumper)
- 5c. Black Wire (12v Jumper)
- 6. Black Wire (Ground)
- 6a. Black Wire (Ground Jumper)
- 6b. Black Wire (Ground Jumper)
- 6c. Black Wire (Ground Jumper)



DETAIL B
SCALE 1/3.6



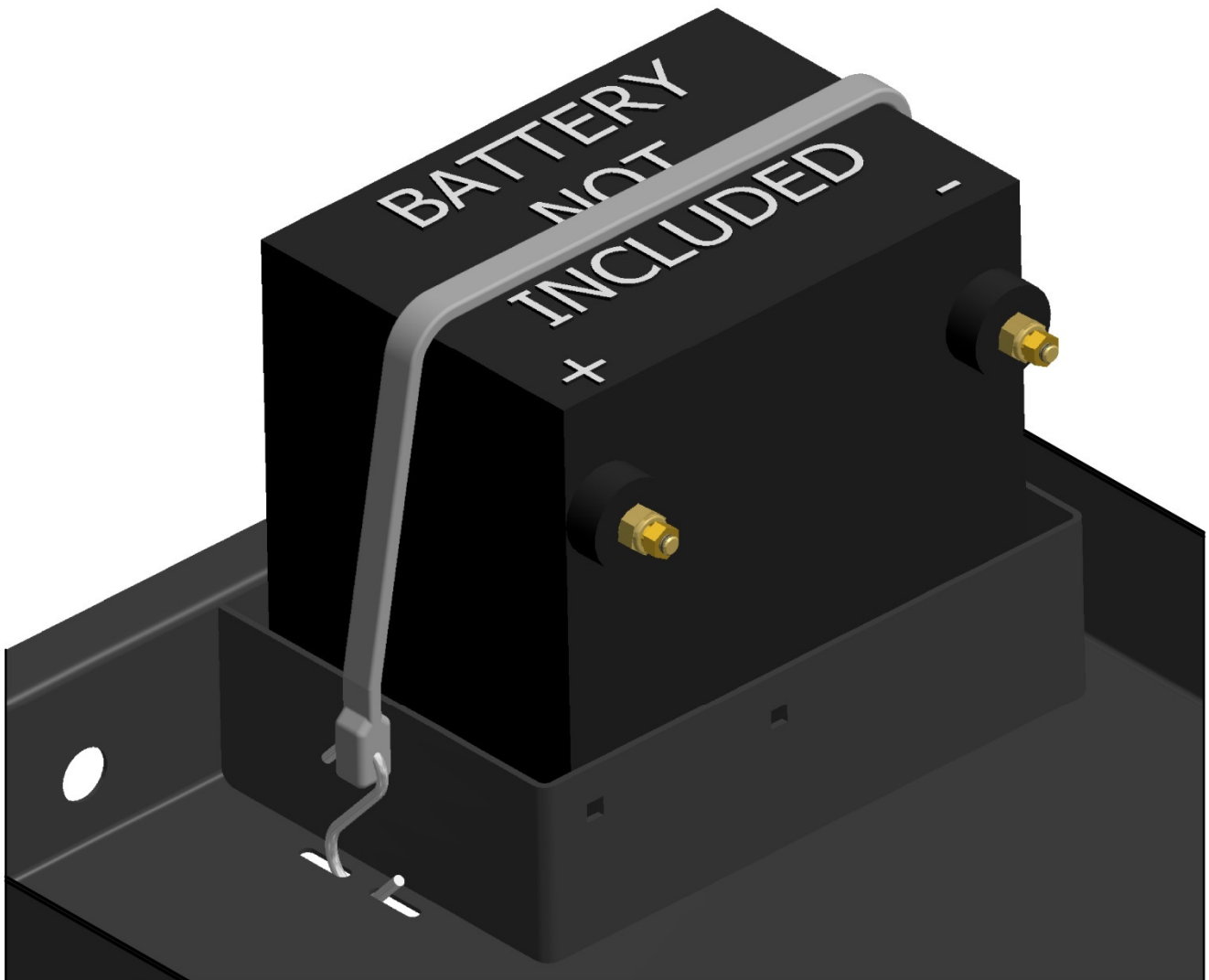
DETAIL A
SCALE 1 / 3



Battery Installation



Make sure the Battery is strapped down before operation of the bale bed. Bouncing through fields could possibly make battery jump out and cause terminals to short out. We recommend a medium duty 19in. Tarp strap. Depending on how old the bed is there will either be a hook on either side of battery box or cutout slots as in image below to hook the strap to.



BESLER INDUSTRIES, INC.

BESLER BALE BED & BALE UNROLLER TWO YEAR LIMITED WARRANTY

STATEMENT OF WARRANTY

1) WHAT IS COVERED BY THIS WARRANTY:

Besler Industries, Inc. warrants to the original retail purchaser only, that all equipment, parts and accessories which it manufactures are free from defects in material or workmanship under normal use, service, proper setup and adjustment. The duration of this warranty is two (2) years from the date of delivery with some limitations on specific parts mentioned below.

This warranty is limited to repair or replacement of part or parts, to the original purchaser, found by the manufacturer, through the authorized selling dealer, to be defective in material or workmanship in the warranty period. This warranty shall be effective only when the part or parts have been authorized for return or replacement by Besler Industries, Inc., and returned prepaid by the dealer or purchaser to Besler Industries, Inc. Consult your dealer before removing any parts or making repair. For Warranty claim, notify the selling dealer.

2) WHAT IS NOT COVERED BY THIS WARRANTY:

Besler Industries, Inc., does not warrant: (a) damage caused by use for purposes other than those for which it was designed: (b) repairs made by unauthorized persons: (c) damage caused by neglect, abuse, abnormal use, improper or unreasonable use, accident, or misuse: (d) damages caused by unauthorized attachments, alterations, or modifications: (e) damage caused by improper service, setup or adjustments: (f) Besler equipment which has had a serial numbers removed or made illegible: (g) normal wear (h) transportation to and from authorized dealer's place of business or Besler Industries, Inc.

3) LIMITATIONS TO WARRANTY

The following parts are covered under the original warranty for the specified time indicated by each item.

Two (2) Years from time of purchase:

Structure and welds

One (1) Year from time of purchase:

Cylinders, Valves, Pump, Hydraulic Hoses, Electric Motor

Warning: Low Voltage and /or running motor continuously for excessive periods of time may result in motor damage. This is considered misuse and will not be covered by the manufacturer.

Six (6) Months from time of purchase:

Paint, Wear Plates, Toggle Switches

*Warranty on merchandise not of Besler Industries, Inc., supplied in piece or in component assemblies will be dependent on the manufactures warranty, some limitations may apply.

4) DISCLAIMER OF WARRANTY:

The foregoing warranties are in lieu of all other warranties of merchantability and fitness for a particular purpose. Any implied warranty of merchantability or fitness for a particular purpose is limited to the duration of this limited warranty. This warranty gives you specific legal rights, and you may also have other rights which vary from state to state.

5) Besler Industries, Inc. reserves the right to improve products through modifications and changes in design or material without being obligated to incorporate such changes in prior manufacture.

6) WARRANTY REGISTRATION:

The Warranty registration card must be completed and forwarded to Besler Industries, Inc., Box B, Cambridge, NE 69022. Within 10 days following date of purchase. Warranty will not be granted unless a warranty card is on file at Besler Industries, Inc. The Date of purchase constitutes delivery.